



HCW
WOOD CONECTOR
ETA 21- 0357 (31.01.2025)



English 2-28

Deutsch 29-55



ETA-Danmark A/S
Göteborg Plads 1
DK-2150 Nordhavn
Tel. +45 72 24 59 00
Fax +45 72 24 59 04
Internet www.etadanmark.dk

Authorized and notified according
to Article 29 of the Regulation (EU)
No 305/2011 of the European
Parliament and of the Council of 9
March 2011

MEMBER OF EOTA



European Technical Assessment ETA-21/0357 of 2025/01/31

I General Part

Technical Assessment Body issuing the ETA and designated according to Article 29 of the Regulation (EU) No 305/2011: ETA-Danmark A/S

Trade name of the construction product:

Fastening element Hilti HCW, HCW-L, HCW-S

Product family to which the above construction product belongs:

Three-dimensional nailing plate (concealed beam hangers)

Manufacturer:

Hilti AG
Feldkircherstrasse 100
9494 Schaan
Fürstentum Liechtenstein

Manufacturing plant:

Hilti Werke

This European Technical Assessment contains:

27 pages including 3 annexes which form an integral part of the document

This European Technical Assessment is issued in accordance with Regulation (EU) No 305/2011, on the basis of:

EAD 130186-00-0603 for Three-dimensional nailing plates

This version replaces:

The ETA with the same number issued on 2024-03-01

Translations of this European Technical Assessment in other languages shall fully correspond to the original issued document and should be identified as such.

Communication of this European Technical Assessment, including transmission by electronic means, shall be in full (excepted the confidential Annex(es) referred to above). However, partial reproduction may be made, with the written consent of the issuing Technical Assessment Body. Any partial reproduction has to be identified as such.

II SPECIFIC PART OF THE EUROPEAN TECHNICAL ASSESSMENT

1 Technical description of product

Hilti HCW, HCW-S and HCW-L are two-piece connectors to be used in timber to timber connections as well as connections between a timber and a steel member or timber and concrete member.

Hilti HCW, HCW-S and HCW-L has a nominal diameter of 40 mm, is installed in pre-drilled holes of timber members (see Annex A). The dowel type fastener has one end with M12 to slide into the connector. The dowel type fastener in HCW and HCW-L is fixed from the clamping device, so the connections are immediately load bearing. The HCW-S is in comparison to the HCW Connector only the Screw socket without the clamping mechanism (no withdrawal capacity).

Fastener type can be:

- a) Threaded rod M12 (minimum 4.6 strength) for steel connections or timber connection with bolt
- b) Concrete fastener with ETA and M12 connection (steel strength $f_{u,k} \geq 500 \text{ N/mm}^2$)
- c) Timber screw acc. EN 14592 or ETA with M12 connection (steel strength $f_{u,k} \geq 400 \text{ N/mm}^2$)

Geometry and Material

The connectors are made from carbon steel, according to EN 10277 and are galvanized. Dimensions are shown in Annex A and typical installations are shown in Annex B.

2 Specification of the intended use in accordance with the applicable European Assessment Document (hereinafter EAD)

The connectors are intended for use in making end-grain to side-grain connections, end-grain to end-grain and side-grain to side-grain connections in load bearing timber structures, as a connection between a wood based joist and a solid timber (softwood or hardwood) or wood based header, where requirements for mechanical resistance and stability and safety in use in the sense of the Basic Works Requirements 1 and 4 of Regulation (EU) 305/2011 shall be fulfilled.

They are also intended for use in making an end-grain or side-grain connection between a timber joist and a steel member or concrete member.

The connectors can be installed as connections between wood based members such as:

- Structural solid timber of soft- or hardwood according to EN 338 / EN 14081,
- Glulam made of soft- or hardwood, classified

according to EN 1194 / EN 14080, or with ETA or national approval

- LVL according to EN 14374 or ETA
- Parallam PSL,
- Intrallam LSL,
- Duo- and Triobalken,
- Cross laminated timber and similar structural glued products according EN16351 or ETA.
- Engineered wood products and solid wood panels according to EN13986 or ETA, the provisions of the ETA of the engineered wood product apply
- Engineered wood products according to ETA if the ETA of the product includes provisions for the use of self-tapping screws, the provisions of the ETA of the engineered wood product apply.

However, the calculation methods are only allowed for a characteristic wood density of up to 590 kg/m^3 for softwood and for hardwood. Even though the wood based material may have a larger density, this must not be used in the formulas for the load-carrying capacities of the fasteners.

Where an interlayer made of wood-based panel is placed between the Hilti HCW, HCW-S and HCW-L and the dowel type fastener, the influence of the interlayer on the load-carrying-capacity of the type of fasteners has to be taken into account.

Annex C states the formulas for the characteristic load-carrying capacities of the connections. The design of the connections shall be in accordance with Eurocode 5 or/and Eurocode 8, or a similar national Timber Code.

It is assumed that the forces acting on the connection are the following: F_{ax} , and F_v . The force F_{ax} acts longitudinal to the connector (axial), F_v can act with an eccentricity with regard to the centre of gravity of Hilti HCW, HCW-S and HCW-L and the timber member.

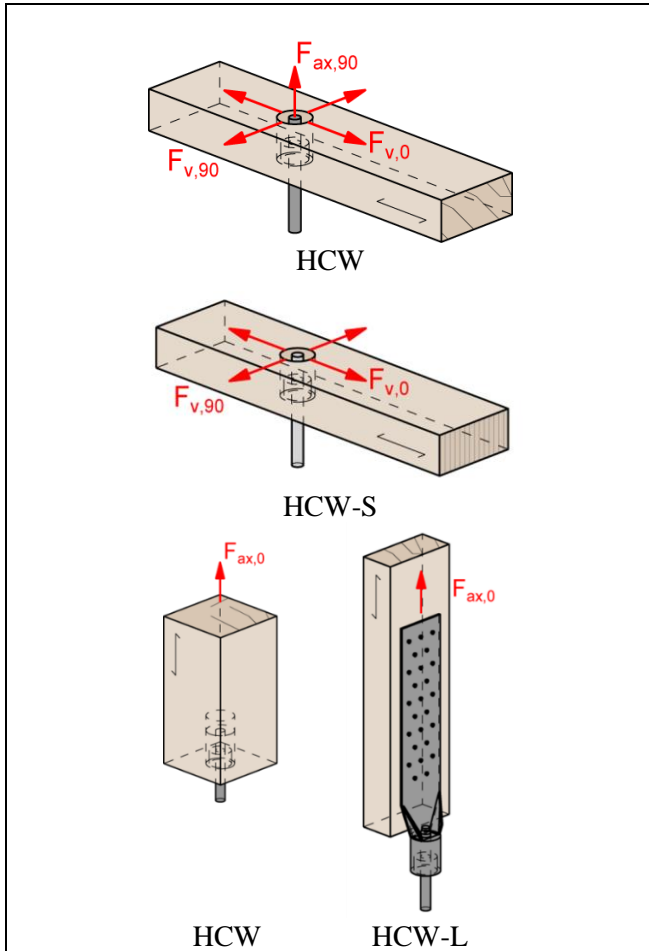


Figure 1: acting forces

It is assumed that the header beam is prevented from rotating. Similarly, it is assumed that the steel member to which the connector is bolted does not rotate. If the header beam only has installed a connector on one side the eccentricity moment $M_v = F_d \times b_H/2$ shall be considered where b_H is the header width. The same applies when the header has connections on both sides, but with vertical forces which differ more than 20%.

The connectors are intended for use in connections subject to static or quasi static loading and seismic.

The zinc-coated connectors are for use in timber structures subject to dry, internal conditions defined by the service classes 1 and 2 of EN 1995-1-1, (Eurocode 5). The fasteners (screws and bolts) and threaded rods to be used shall be made from suitable material. It shall be used a M12 with minimum strength class of 4.6.

The scope of the brackets regarding resistance to corrosion shall be defined according to national provisions that apply at the installation site considering environmental conditions.

The provisions made in this European Technical Assessment are based on an assumed intended working life of the connectors of 50 years.

The indications given on the working life cannot be interpreted as a guarantee given by the producer or Assessment Body, but are to be regarded only as a means for choosing the right products in relation to the expected economically reasonable working life of the works.

3 Performance of the product and references to the methods used for its assessment

Characteristic	Assessment of characteristic
3.1 Mechanical resistance and stability*) (BWR1)	
Joint Strength - Characteristic load-carrying capacity	See Annex C
Joint Stiffness	See Annex C
Joint ductility	See Annex C
Resistance to seismic actions	See Annex C
Resistance to corrosion and deterioration	See section 3.5
3.2 Safety in case of fire (BWR2)	
Reaction to fire	The connectors are made from steel classified as Euroclass A1 in accordance with EN13501-1 and Commission Delegated Regulation 2016/364
Resistance to fire	No performance assessed
3.3 General aspects related to the performance of the product	
	The connectors have been assessed as having satisfactory durability and serviceability when used in timber structures using the timber species described in Eurocode 5 and subject to the conditions defined by service class 1 and 2
Identification	See Annex A

*) See additional information in section 3.4 – 3.6.

3.4 Aspects related to the performance of the product

The characteristic load-carrying capacities are based on the characteristic values of the connectors.

According to EN 1990 (Eurocode – Basis of Design) the design value of load-carrying capacity can be determined by reducing the characteristic values of the load-carrying capacity with different partial factors.

Therefore, to obtain design values according to the Eurocodes or appropriate national codes of practice, the capacities have to be multiplied with different partial factors for the material properties and – for the connectors mounted in timber – also the coefficient k_{mod} that takes into account the load duration class.

Thus, the characteristic or design values of the load-carrying capacity are determined as minimum of (see also Annex C):

- timber failure $F_{v,Rk}$ and $F_{ax,Rk}$ (obtaining the embedment strength in the timber member of Hilti HCW and HCW-L subjected to shear or the withdrawal, respectively as well as for
- steel failure $F_{t,Rd}$ of Hilti HCW and HCW-L as well as for
- failure $F_{ax,Rk,DT}$ of the Dowel Type fastener subjected to shear or the withdrawal capacity.
- timber failure $F_{v,Rk}$ (obtaining the embedment strength in the timber member of Hilti HCW-S subjected to shear.

The design value of the load-carrying capacity is the smaller value of load-carrying capacities.

$$F_{ax,Rd} = \min \left\{ \begin{array}{l} \frac{k_{mod} \cdot F_{ax,Rk}}{\gamma_M} \\ \frac{F_{t,Rk}}{\gamma_{M,2}} \\ k_{mod} \cdot F_{ax,Rk,DT} \\ \frac{\gamma_M}{\frac{F_{t,Rk,DT}}{\gamma_{M,2}}} \end{array} \right.$$

Therefore, for timber failure the load duration class and the service class are included. The different partial factors γ_M for steel or timber or concrete, respectively, are also correctly taken into account.

Further, the connectors can be fastened to a steel member by M12 bolts in holes with a diameter up to 2 mm larger than the bolt, and to a concrete member by concrete fasteners.

The design models allow the use of fasteners described in Annex A.

3.5 Corrosion protection in service class 1 and 2.

The connectors have a zinc coating thickness of 5 microns (5 μm). Nailing plates < 3 mm thickness has 8 microns for service class 2.

3.6 General aspects related to the intended use of the product

A connector joint is deemed fit for its intended use provided: Position holes guarantee exact position for prefabricated wall and ceiling elements. Concrete foundation needs exact position of the concrete fasteners.

Header – support conditions

The header beam shall be restrained against rotation.

If the header carries joists only on one side the eccentricity moment from the joists $M_{ec} = R_{joist} \times b_H/2$ shall be considered at the strength verification of the header.

R_{joist} Reaction force from the joists
 b_H Width of header

For a header with joists from both sides but with vertical forces which differ more than 20% a similar consideration applies.

Timber to timber connections

The connector joint is designed in accordance with Eurocode 5 or an appropriate national code.

The Hilti HCW, HCW-S and HCW-L shall be in close contact with the timber to timber over the whole face. There shall be no intermediate layers in between, except static calculations are made for the interlayer.

Timber to steel and timber to concrete

The above mentioned rules for timber to timber connections are applicable also for the connection between the joist and the steel-header or concrete-header.

- The connector joint is designed in accordance with Eurocodes 2, 3, 5 or 9 or an appropriate national code.
- The Hilti HCW, HCW-S and HCW-L shall be in close contact with the steel or concrete over the whole face. There shall be no intermediate layers in between, except static calculations are made for the interlayer.
- The hole in the steel member shall have a diameter not bigger than 12 mm plus 2 mm.
- Concrete fasteners shall be in accordance with an ETA.

4 Assessment and verification of constancy of performance (hereinafter AVCP) system applied, with reference to its legal base

4.1 AVCP system

According to the decision 97/808/EC of the European Commission¹, as amended, the system(s) of assessment and verification of constancy of performance (see Annex V to Regulation (EU) No 305/2011) is 2+.

5 Technical details necessary for the implementation of the AVCP system, as provided for in the applicable EAD

Technical details necessary for the implementation of the AVCP system are laid down in the control plan deposited at ETA-Danmark prior to CE marking

Issued in Copenhagen on 2025-01-31 by



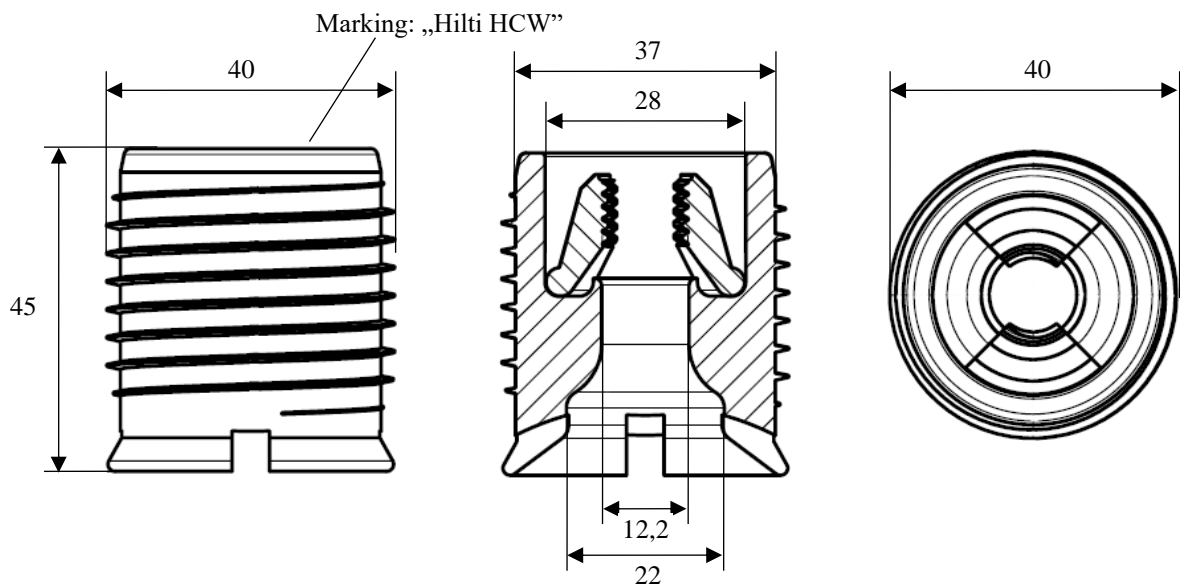
Thomas Bruun
Managing Director, ETA-Danmark

Annex A

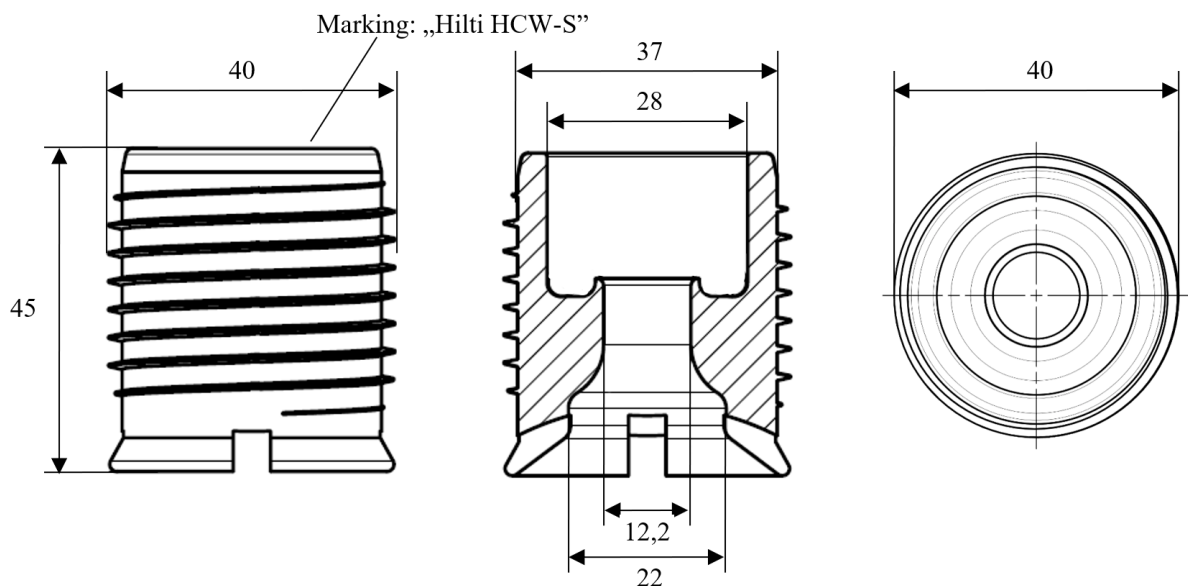
Product description

Hilti HCW and HCW-S

Outer diameter: 40 mm
Diameter of the body: 37 mm
Length: 45 mm
Material: Sleeve: 11SMnPb30+C according EN 10277;
clamping device of HCW: 11SMnPb30, 16MnCrS5+C according EN 10277;
Electroplated zinc coated $\geq 5 \mu\text{m}$
(equivalent material may be used and documented in the production inspection documentation)
Color: HCW grey, HCW-S black
HCW



HCW-S



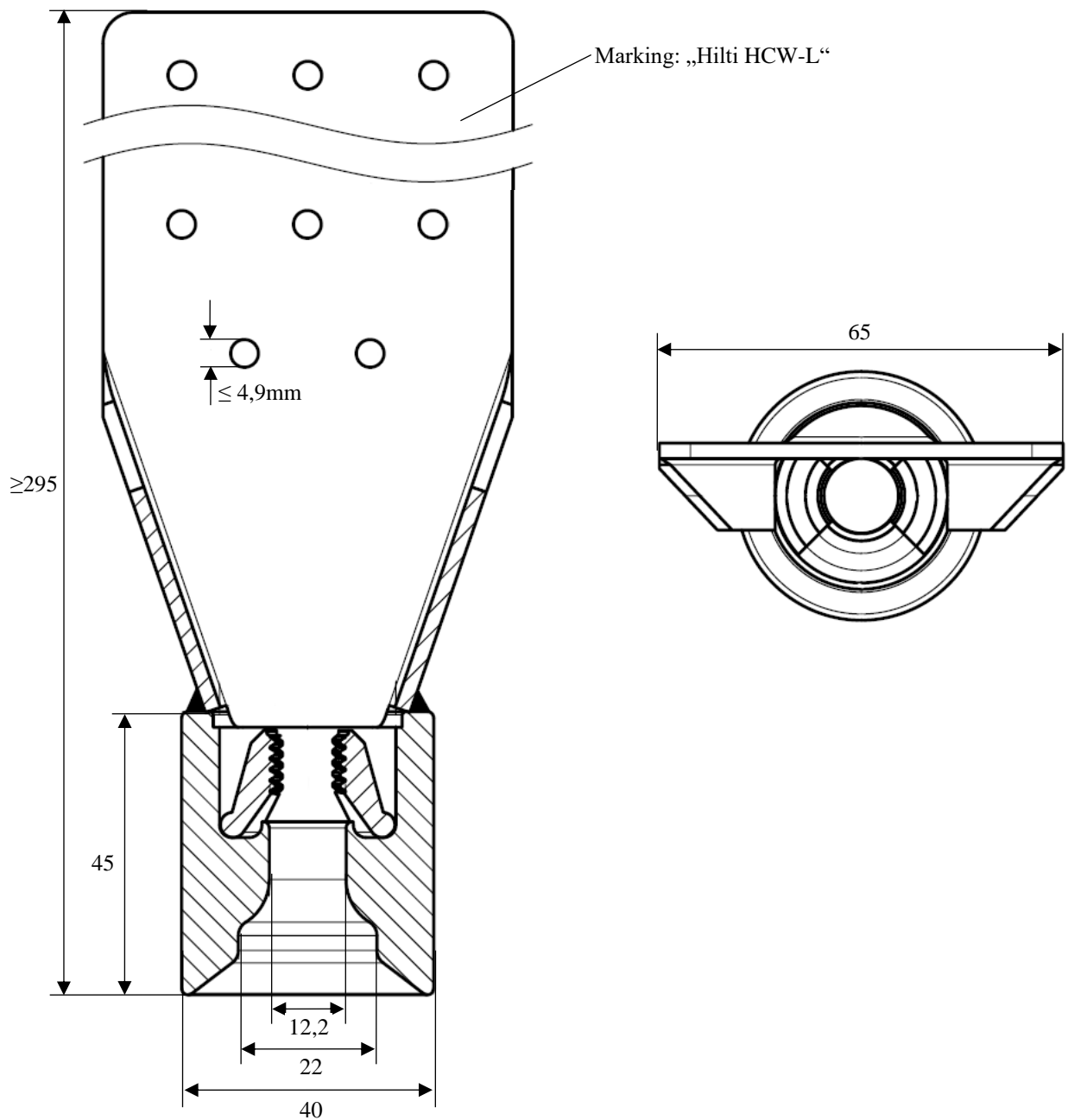
Annex A

Product description

Hilti HCW-L

Outer diameter, sleeve:	40 mm	Width, plate	65 mm
Length, sleeve:	45 mm	Thickness, plate	2,5 mm
Length:	≥ 295 mm	Hole diameter, plate	$\leq 4,9$ mm
Material:	Sleeve and nailing plate: S355J2 according EN 10277 clamping device: 16MnCrS5+C according EN 10277 Electroplated zinc coated $\geq 5 \mu\text{m}$ (equivalent material may be used and documented in the production inspection documentation)		

Dimensions:



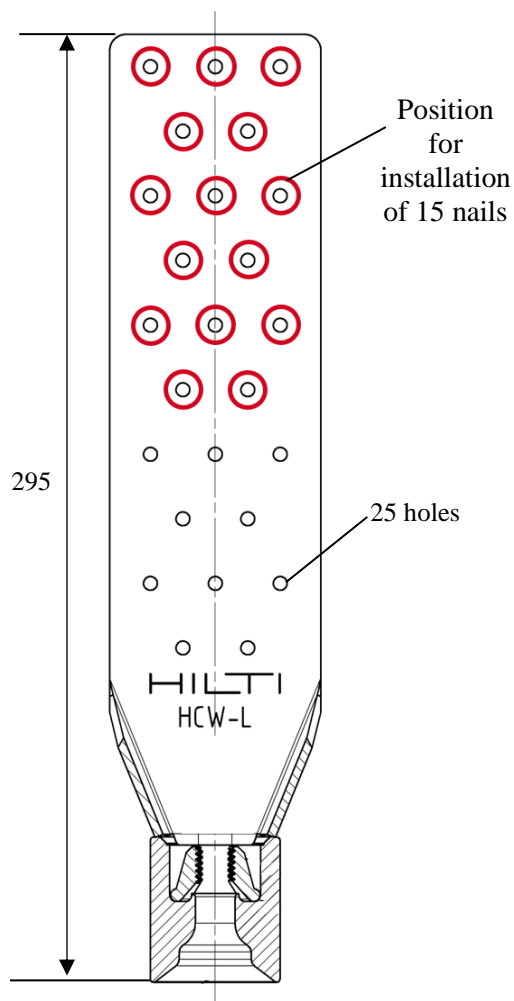
Annex A

Product description

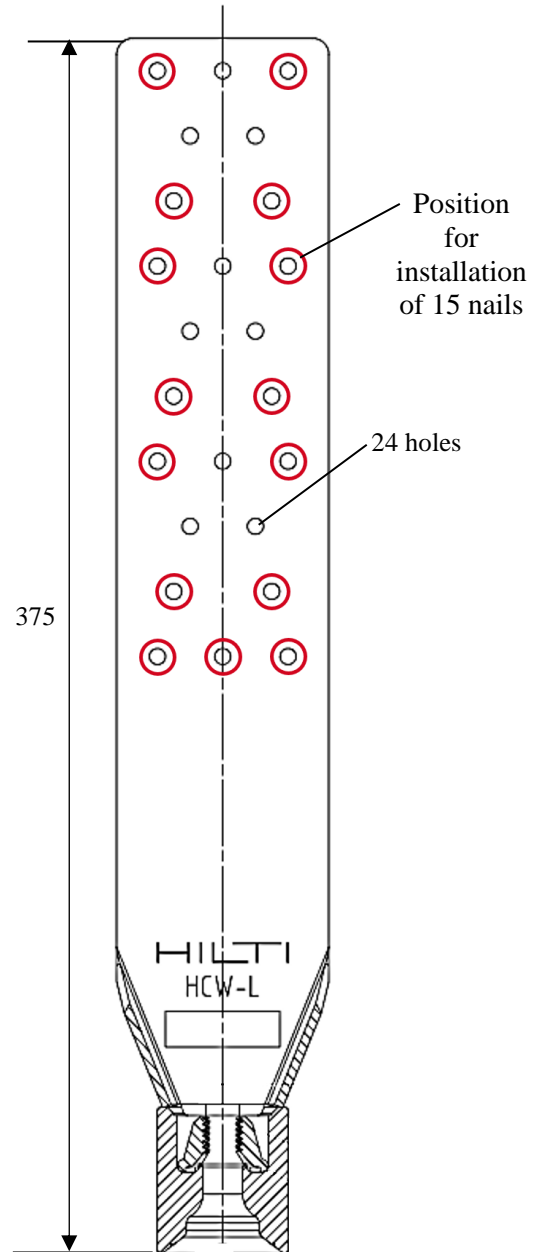
HCW-L

Pattern of the holes:

HCW-L 40x295 M12



HCW-L 40x375 M12



Annex A

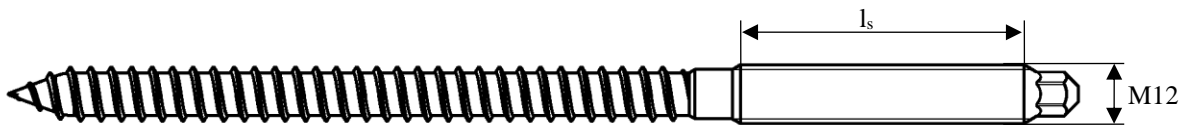
Product description

Fastener type:

- upper side to push into Hilti HCW, HCW-S and HCW-L: thread M12 (min. $l_s = 40$ mm), steel strength $f_{u,k} \geq 400$ N/mm² or material 4.6 or better.
- lower side: timber thread acc. ETA or EN14592 / steel connection acc. EC3 / concrete fastener acc. ETA

timber – timber connection

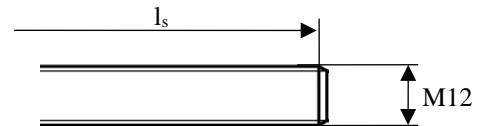
timber thread acc. ETA or EN 14592



e.g. Hilti HSW M12 ...
timber
thread acc. EN 14592

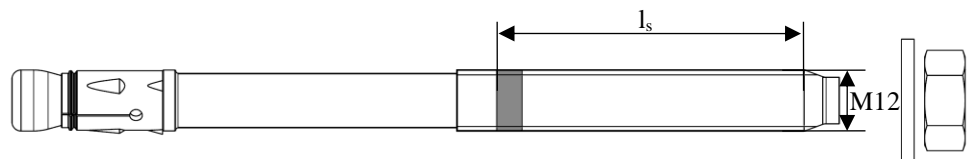
timber – steel connection

Steel connection according EC3



timber – concrete connection

Concrete fastener according to ETA

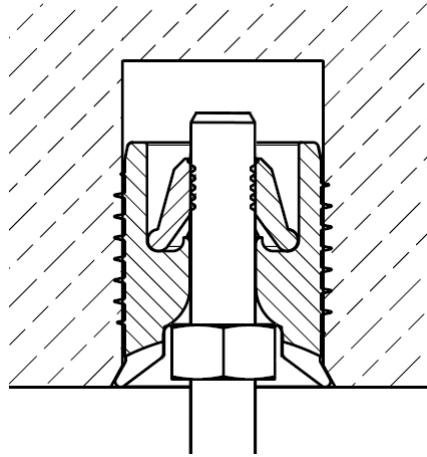


e.g. Hilti HST3 (ETA-98/0001)
or Hilti HAS-U with Hilti HIT-...

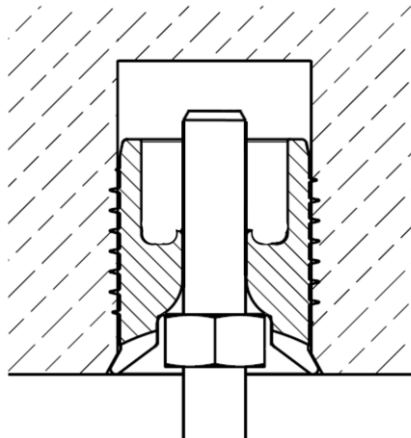
Annex A

Product description

**Hilti HCW
with installed type fastener**



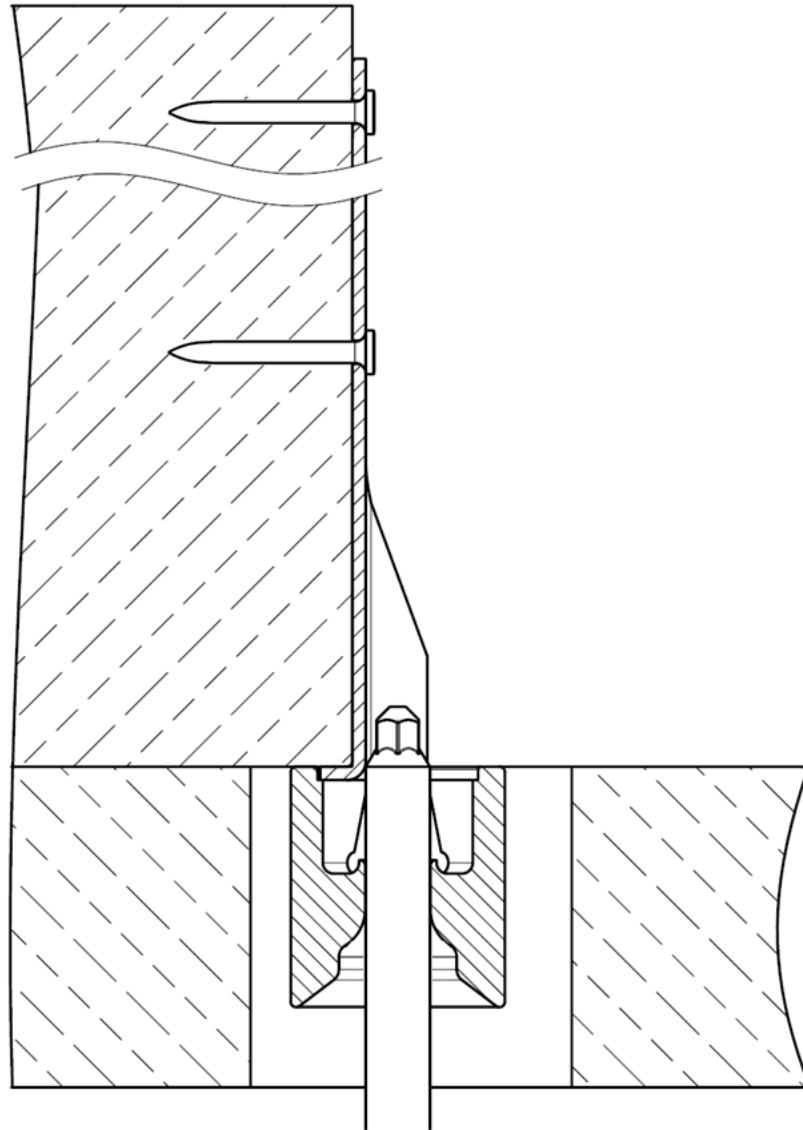
**Hilti HCW-S
with installed type fastener**



Annex A

Product description

**Hilti HCW-L
with installed type fastener**



Annex B

Intended Use

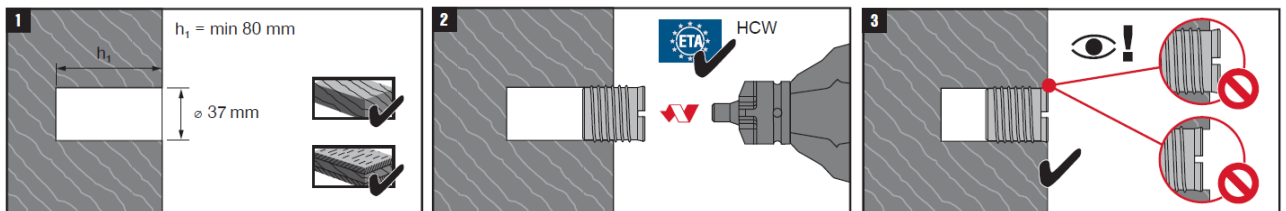
Installation parameters

		HCW and HCW-S
Pre-drilling diameter (softwood and hardwood)	d_0	37 mm
Minimum drilling depth	h_1	≥ 80 mm
End- (a_3) and edge- (a_4) distances		See Annex C, table C.1, C.2 and C.3
-	-	-

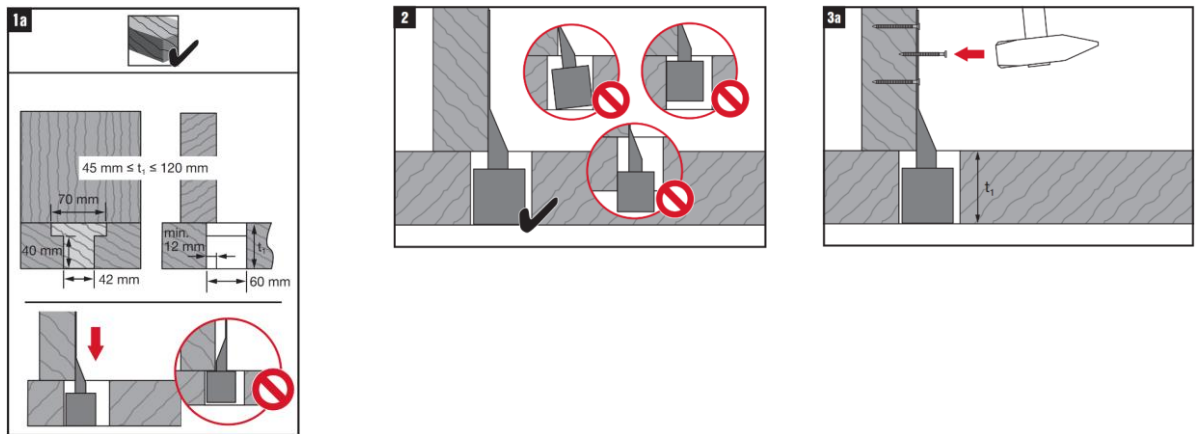
		HCW-L
Nail diameter		$d = 4$ mm and a length of $l = 50$ mm ¹⁾ ; (nails according to EN14592 or ETA)
Screw diameter		$d = 5$ mm and a length of $l = 50$ mm ¹⁾ ; (screws according to EN14592 or ETA)
¹⁾ For other types and lengths of nails and screws, calculations according to EN 1995-1-1 shall be done.		

Installation instruction Hilti HCW, HCW-S and HCW-L

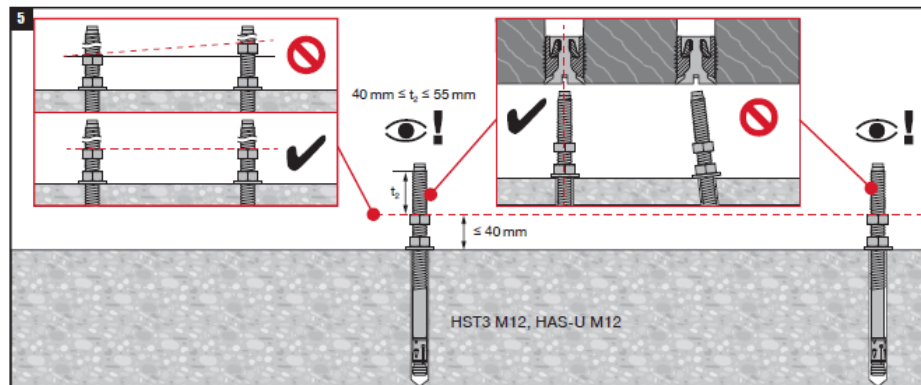
Setting HCW and HCW-S



Setting HCW-L



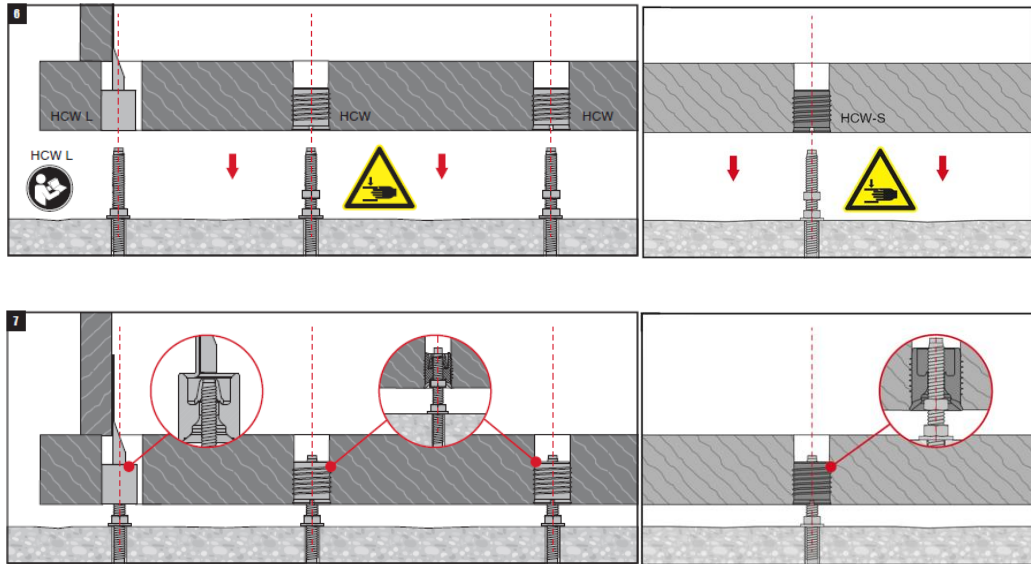
Levelling fastener – HCW and HCW-S



Annex B

Intended Use

Connection of HCW, HCW-S and HCW-L to the fastener



Annex B

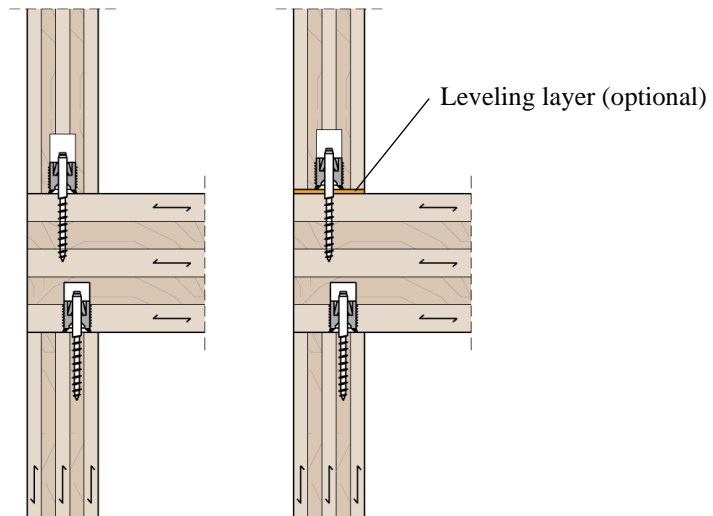
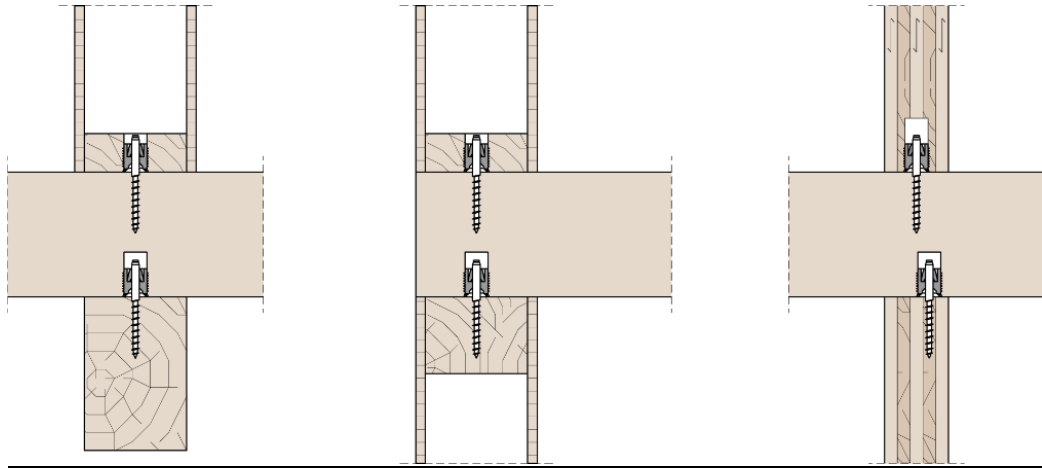
Intended Use

Timber to timber joint

Timber cross sections are only examples (minimum dimension see Annex C)

Timber dimensions according to static calculation

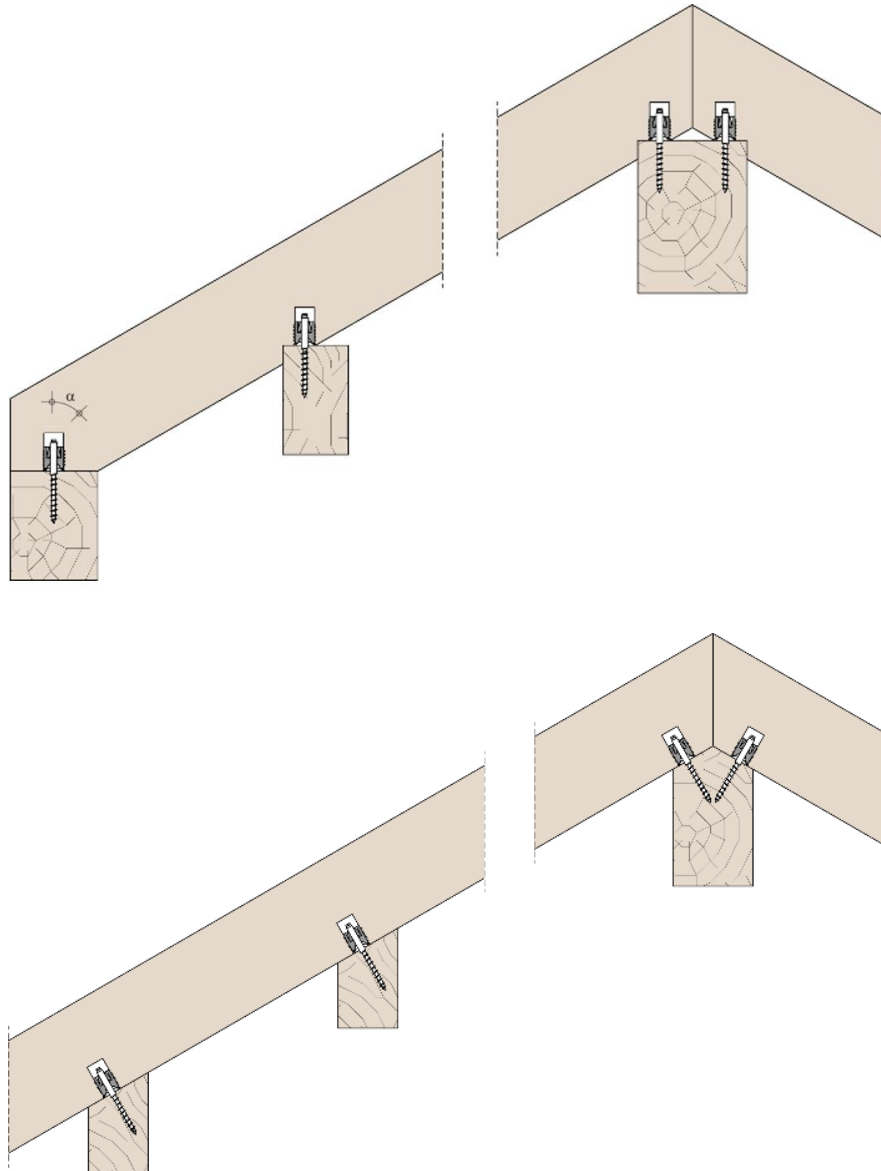
Wall (connection with HCW)



Annex B

Intended Use

Roof (connection with HCW)



Annex B

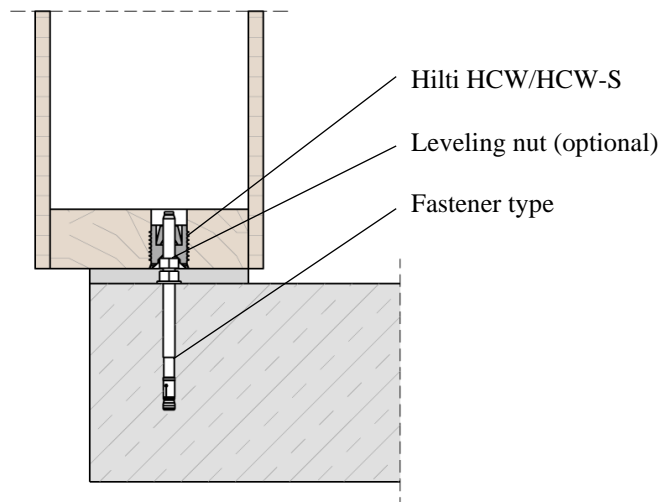
Intended Use

Timber to concrete joint

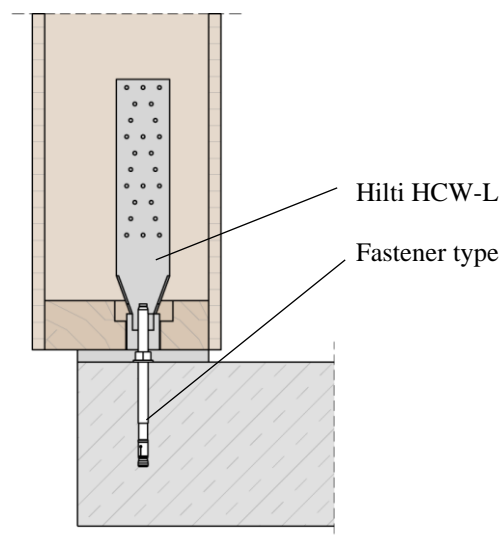
Timber cross sections are only examples (minimum dimension see Annex C)

Timber dimensions according to static calculation

Wall – Hilti HCW and/or HCW-S



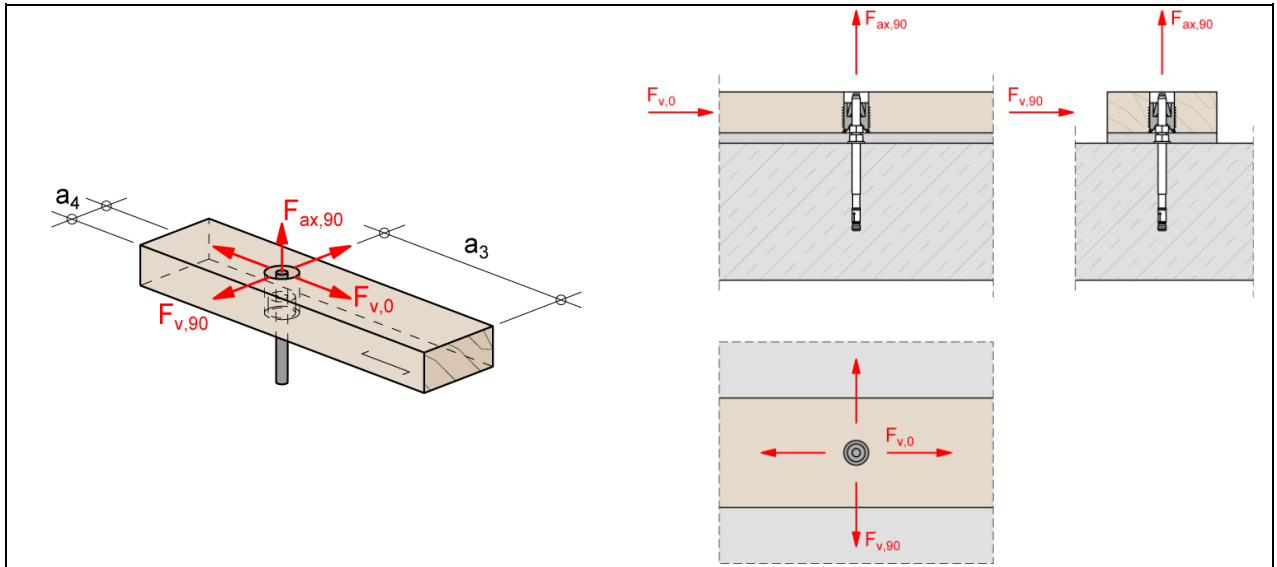
Wall – Hilti HCW-L



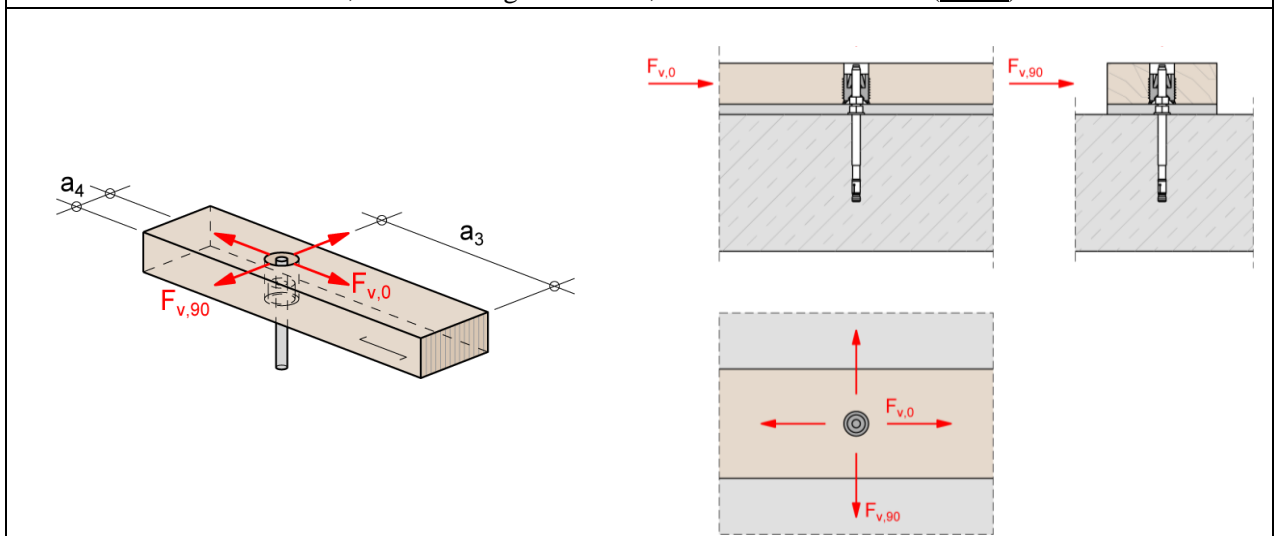
Annex C

Performances

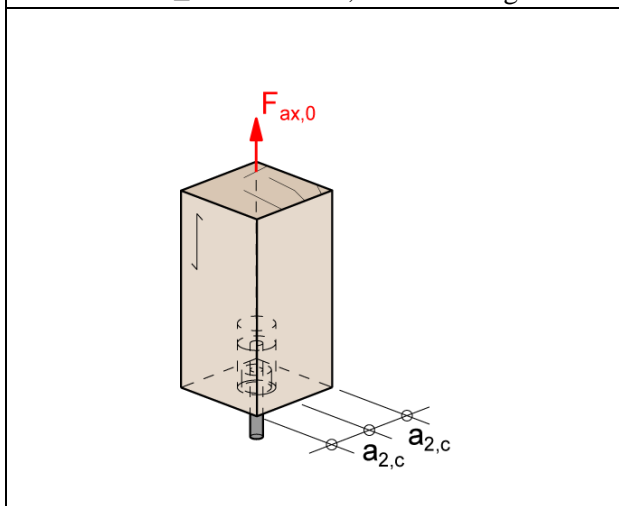
General information to load directions:



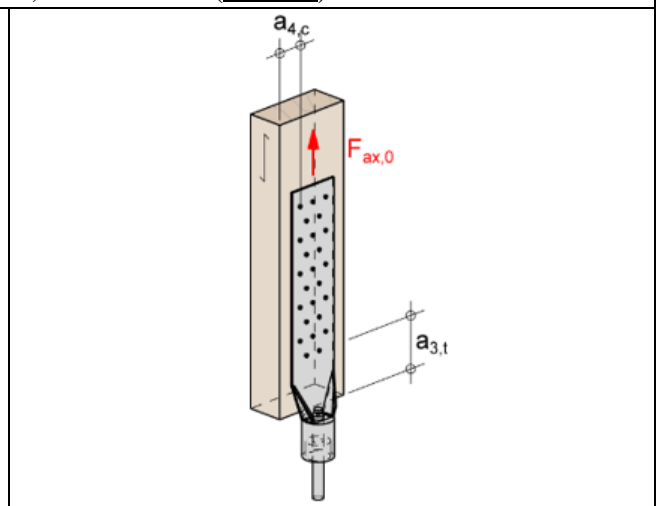
Cross section $\geq 80 \times 45 \text{ mm}^2$, End- and edge-distances, see Table C.1 and C.2 (HCW)



Cross section $\geq 80 \times 45 \text{ mm}^2$, End- and edge-distances, see Table C.1 (HCW-S)



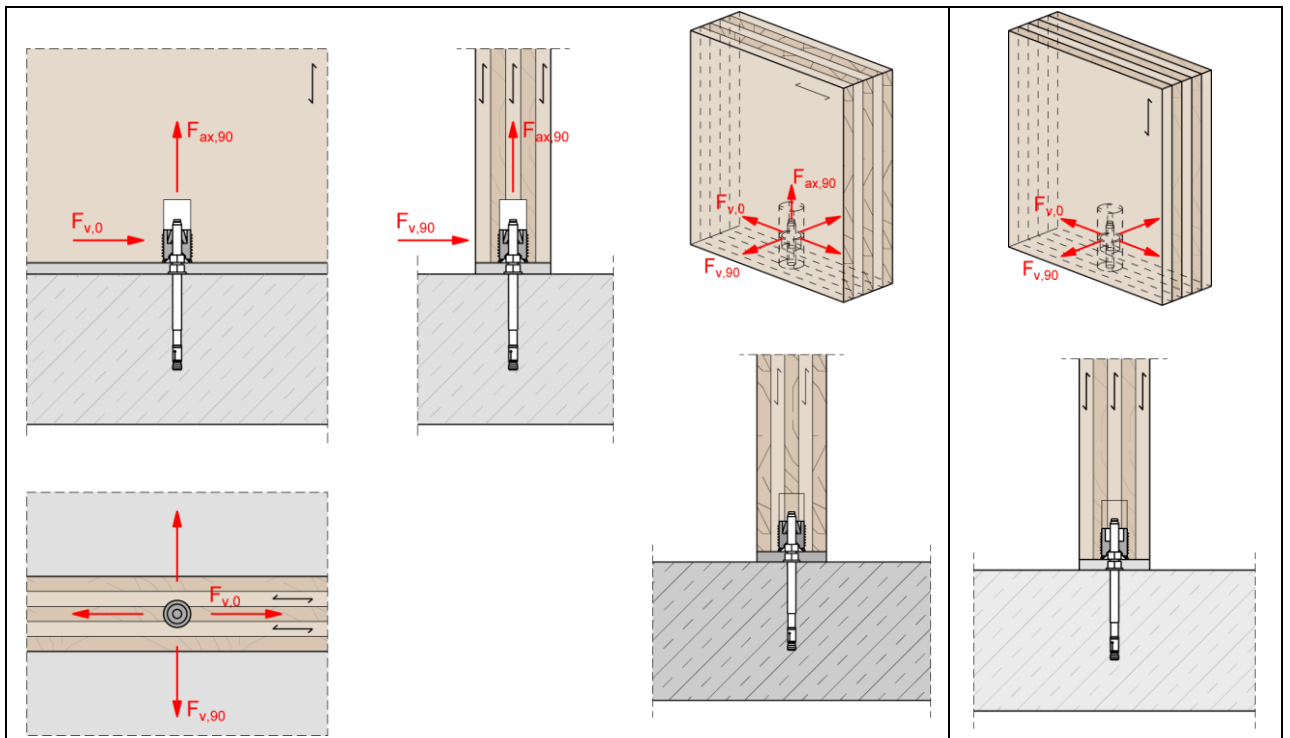
Cross section of column $\geq 100 \times 100 \text{ mm}^2$
Side distance $\geq 50 \text{ mm}$, see Table C.1 (HCW)



Cross section $\geq 80 \times 45 \text{ mm}$, see Table C.1 (HCW-L)

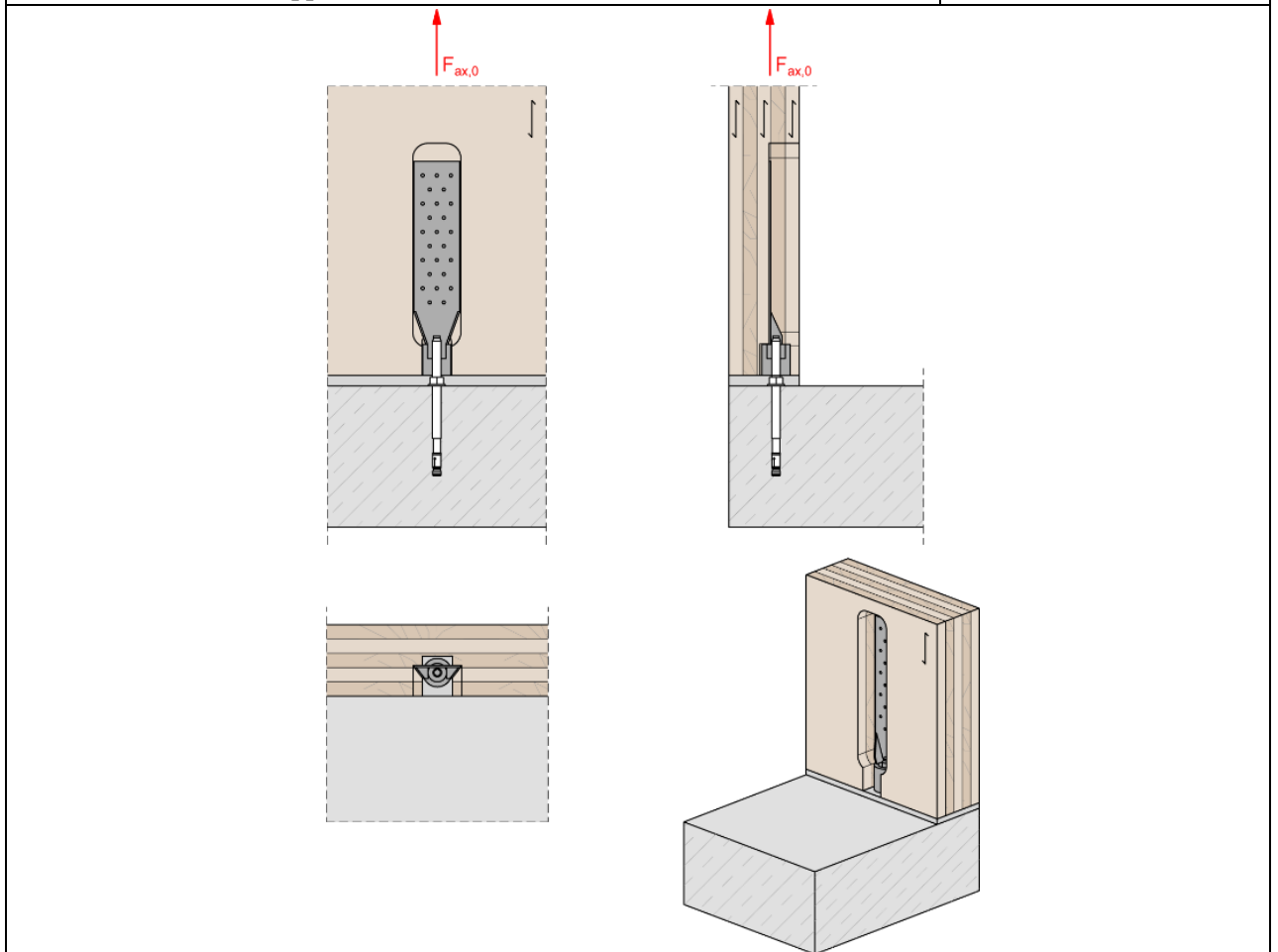
Annex C

Performances



Load direction in CLT applications for HCW, see Table C.1

For HCW-S, see Table C.1



Load direction in CLT applications for HCW-L, see Table C.1

Annex C

Performances

Table C.1: Load carrying capacities for C24 and engineered wood products ($\rho_k = 350 \text{ kg/m}^3$), e.g. CLT, GL 24 h/c

Parameter	Type	Fastener type		Timber		Characteristic load-carrying capacities [kN]	
		Nails/ Screws	Rod	Edge distances [mm]	Min cross- section [mm ²]		
Tension Strength	HCW/ HCW-L	-	M12, 4.6	-		$F_{t,Rk}$	30,0
			M12, 8.8				42,0
	HCW-S	-	-				-
Axial Strength	HCW-L 40x295	15 nails	M12, 8.8	$a_{4,c} \geq 20$ $a_{3,t} \geq 58,5^{5)}$	45x80	$F_{ax,0,Rk}$	39,0 ⁶⁾
		25 nails ²⁾					45,0 ⁶⁾
	HCW-L 40x375	15 nails	M12, 8.8	$a_{4,c} \geq 20$ $a_{3,t} \geq 60$	45x80	$F_{ax,0,Rk}$	39,0 ⁶⁾
		24 nails ²⁾					45,0 ⁶⁾
Withdrawal capacity parallel to the grain direction	HCW	-	M12, ≥ 4.6	$a_{4,c} \geq 50$	100x100	$F_{ax,0,Rk}$	11,8
	HCW-S	-					-
Withdrawal capacity perpendicular to the grain	HCW	-	M12, ≥ 4.6	$a_4 \geq 40^{1)}$	45x80	$F_{ax,90,Rk}$	12,3
				$a_4 \geq 50^{1)}$	45x100		12,9
	HCW-S	-	$a_4 \geq 40^{1)}$	45x80	$F_{ax,90,Rk}$	-	
Shear strength parallel to the grain direction	HCW/ HCW-S	-	M12, ≥ 4.6	$a_4 \geq 40^{1)}$	45x80	$F_{v,0,Rk}$	24,4
				$a_4 \geq 50^{1)}$	45x100		28,2
Shear strength perpendicular to the grain direction	HCW/ HCW-S	-	M12, ≥ 4.6	$a_4 \geq 40^{1)}$	45x80	$F_{v,90,Rk}$	6,8
				$a_4 \geq 45^{1)}$	- ⁴⁾		15,0 ⁴⁾
				$a_4 \geq 50^{1)}$	45x100		8,5
				$a_4 \geq 70^{1)}$	45x140		11,8 ³⁾
				$a_4 \geq 80^{1)}$	45x140		14,8

Notes: ¹⁾ End- distance (a_3) is ≥ 200 mm, checks on the net cross sections have to be considered in accordance to EN 1995-1-1

²⁾ For other types, lengths or number of nails, calculations according to EN 1995-1-1 shall be done.

³⁾ Shear capacity with tension perpendicular to grain, reinforced with 2 fully threaded screws with a diameter of $d = 8$ mm.

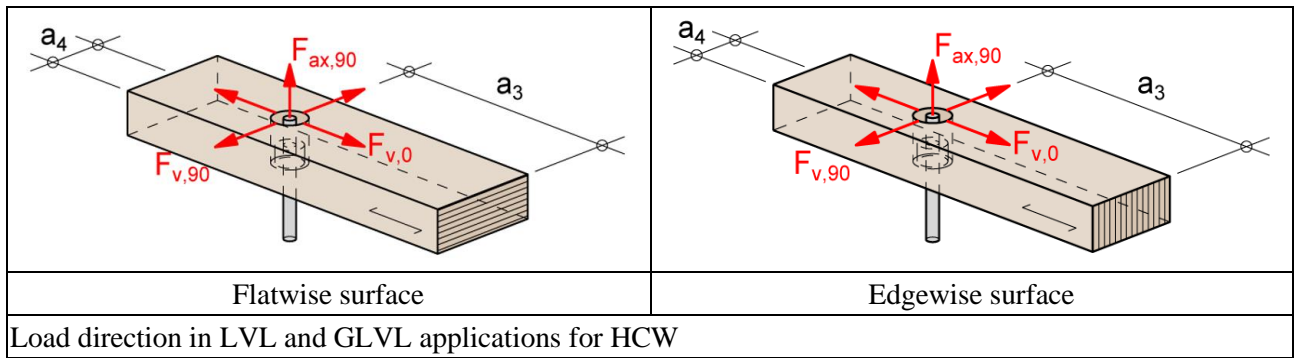
⁴⁾ Shear capacity ($F_{v,90}$) in CLT C24 walls.

⁵⁾ Minimum distance $a_{3,t}$ is 50 mm for CLT.

⁶⁾ Performance of HCW-L using nails ($d=4$ mm) and screws ($d=5$ mm) with a length of 50 mm.

Table C.2: HCW load carrying capacities with reduced end- and side distances for C24 and engineered wood products ($\rho_k = 350 \text{ kg/m}^3$), e.g. CLT, GL 24h/c

Parameter	Type	Type of fastener		Timber C24 Distances (a_3) and (a_4) [mm]	Characteristic load-carrying capacities [kN]	
		Nails/ Screws	Threaded rod			
Withdrawal capacity perpendicular to the grain	HCW	-	M12, ≥ 4.6	$a_3 \geq 50$ mm $a_4 \geq 50$ mm	$F_{ax,90,Rk}$	11,5
				$a_3 \geq 58$ mm $a_4 \geq 40$ mm		

Annex C**Performances****Table C.3: Load carrying capacities for LVL ($\rho_k = 480 \text{ kg/m}^3$)**

Parameter	Fastener Type		Timber		Min cross-section [mm ²]	Characteristic Load-carrying capacities [kN]	
		Rod	Type	Edge distance (a_4) ¹⁾ [mm]			
Tension Strength	HCW	M12, 4.6	-	-	-	$F_{t,Rk}$	30,0
		M12, 8.8	-				42,0
Withdrawal capacity flatwise surface	HCW	M12, ≥ 4.6	LVL-P ²⁾	≥ 60	120×45	$F_{ax,90,Rk}$	14,84
			LVL-C ²⁾				10,27
	HCW-S	-	-	-	-	-	-
Withdrawal capacity edgewise surface	HCW	M12, ≥ 4.6	GLVL-P ²⁾	≥ 60	120×45	$F_{ax,90,Rk}$	13,82
			GLVL-C ²⁾				9,56
	HCW-S	-	-	-	-	-	-
Shear strength parallel to the grain direction flatwise surface	HCW/ HCW-S	M12, ≥ 4.6	LVL-P ²⁾	≥ 60	120×45	$F_{v,0,Rk}$	58,77
			LVL-C ²⁾	≥ 60			47,36
			GLVL-P ²⁾	≥ 60			36,77
Shear strength parallel to the grain direction edgewise surface			GLVL-C ²⁾	≥ 60	26,60		
			≥ 40	80×45	16,92		
Shear strength perpendicular to the grain direction flatwise surface	HCW/ HCW-S	M12, ≥ 4.6	LVL-P ²⁾	≥ 60	120×45	$F_{v,90,Rk}$	18,33
			LVL-C ²⁾	≥ 60			29,15
			GLVL-P ²⁾	≥ 60			10,51
Shear strength perpendicular to the grain direction edgewise surface			GLVL-C ²⁾	≥ 60	9,58		
			≥ 40	80×45	4,79		

Notes: ¹⁾ End- distance (a_3) is ≥ 200 mm.²⁾ P – Parallel layers; C – crosswise layers.

Annex C

Performances

Table C.4: Slip modulus in the Serviceability Service State (SLS) with standard end- and side distances for C24 and engineered wood products ($\rho_k = 350\text{kg/m}^3$), e.g. CLT, GL 24h/c

Parameter	Type	Type of fastener		Timber C24		Slip modulus (K_{ser}) [kN/mm]	
		Nails/ Screws	Threaded rod	Edge distance (a_4) ¹⁾ [mm]	Min cross- section [mm ²]		
Withdrawal capacity parallel to the grain direction	HCW	-	M12, ≥ 4.6	≥ 50	100×100	$K_{ax,0,ser}$	15,0
Withdrawal capacity perpendicular to the grain	HCW	-	M12, ≥ 4.6	≥ 40	45×80	$K_{ax,90,ser}$	4,5
				≥ 50	45×100		7,9
Shear strength parallel to the grain direction	HCW/ HCW-S	-	M12, ≥ 4.6	≥ 40	45×80	$K_{v,0,ser}$	5,2
				≥ 50	45×100		5,5
Shear strength perpendicular to the grain direction	HCW/ HCW-S	-	M12, ≥ 4.6	≥ 40	45×80	$K_{v,90,ser}$	3,5
				≥ 45	- ¹⁾		5,1 ²⁾
				≥ 50	45×100		4,0
				≥ 70	45×140		4,0
				≥ 80	45×140		4,0

Notes: ¹⁾ End- distance (a_3) is ≥ 200 mm²⁾ Slip modulus ($K_{v,90,ser}$) in CLT C24 walls.Table C.5: Slip modulus in the Serviceability Service State (SLS) for LVL ($\rho_k = 480\text{kg/m}^3$)

Parameter	Fastener Type		Type	Edge distance (a_4) ¹⁾ [mm]	Min cross- section [mm ²]	Slip modulus (K_{ser}) [kN/mm]	
		Rod					
Withdrawal capacity flatwise surface	HCW	M12, ≥ 4.6	LVL-P ²⁾	≥ 60	120×45	$K_{ax,0,Rk}$	7,86
			LVL-C ²⁾				3,56
	HCW-S	-	-	-	-	-	-
Withdrawal capacity edgewise surface	HCW	M12, ≥ 4.6	GLVL-P ²⁾	≥ 60	120×45	$K_{ax,90,Rk}$	6,36
			GLVL-C ²⁾				2,88
	HCW-S	-	-	-	-	-	-
Shear strength parallel to the grain direction flatwise surface	HCW/ HCW-S	M12, ≥ 4.6	LVL-P ²⁾	≥ 60	120×45	$K_{v,0,Rk}$	8,58
			LVL-C ²⁾	≥ 60			10,92
GLVL-P ²⁾			≥ 60	6,50			
			GLVL-C ²⁾	≥ 60			5,27
Shear strength parallel to the grain direction edgewise surface			GLVL-C ²⁾	≥ 40	80×45		5,41
Shear strength perpendicular to the grain direction flatwise surface	HCW/ HCW-S	M12, ≥ 4.6	LVL-P ²⁾	≥ 60	120×45	$K_{v,90,Rk}$	10,94
			LVL-C ²⁾	≥ 60			8,71
GLVL-P ²⁾			≥ 60	8,59			
			GLVL-C ²⁾	≥ 60			3,80
Shear strength perpendicular to the grain direction edgewise surface			GLVL-C ²⁾	≥ 40	80×45		1,90

Notes: ¹⁾ End- distance (a_3) is ≥ 200 mm²⁾ P - Parallel layers; C – cross layers

Annex C

Performances

C.1 Capacities of timber-to-timber connector joints

C.1.1 Axial forces (withdrawal)

$$F_{ax,Rd} = \min \left\{ \begin{array}{l} \frac{k_{mod} \cdot F_{ax,Rk}}{\gamma_M} \\ \frac{F_{t,Rk}}{\gamma_{M,2}} \\ \frac{k_{mod} \cdot F_{ax,Rk,DT}}{\gamma_M} \\ \frac{F_{t,Rk,DT}}{\gamma_{M,2}} \end{array} \right.$$

$F_{ax,Rk}$... see table C.1 to C.3, characteristic withdrawal capacity

$F_{t,Rk}$... see table C.1, steel failure of Hilti HCW and HCW-L

$F_{ax,Rk,DT}$, $F_{t,Rk,DT}$... withdrawal and steel capacity of dowel type connector (see DoP acc. EN 14592 / ETA)

k_{mod} and γ_M ... see EN 1995-1-1

$\gamma_{M,2}$... see EN 1993-1-1

$F_{ax,0,Rk}$ in table C.1 to C.3 for Hilti HCW applies only for short-term (e.g. wind) and instantaneous load duration classes.

For all other longer load-duration classes and tension load perpendicular to the grain according to EN 1995-1-1:

- For angles $0^\circ \leq \alpha \leq 45^\circ$ between screw-axis and direction of wood grain, $F_{ax,\alpha,Rk}$ is obtained with:

$$F_{ax,\alpha,Rk} = k_{ax} \cdot F_{ax,90,Rk} \quad \text{with: } k_{ax} = 0,3 + \frac{0,7 \cdot \alpha}{45^\circ}$$

- For angles $45^\circ \leq \alpha \leq 90^\circ$ between screw-axis and direction of wood grain, $F_{ax,\alpha,Rk}$ remains constant.

α ... angle between grain direction and screw axis; $\alpha = 0^\circ$ end grain, $\alpha = 90^\circ$ side grain

$F_{ax,\alpha,Rk}$ for timber member with lower or higher strength class as C24 (EN 338): EN 1995-1-1, 8.7 has to be applied.

$$F_{ax,\alpha,Rk,\rho_a} = \left(\frac{\rho_k}{\rho_a = 350} \right)^{0,8} \cdot F_{ax,\alpha,Rk}$$

ρ_a ... associated characteristic density in kg/m³ for the strength class differing of C24

$F_{ax,\alpha,Rk}$ for softwood LVL-P/C member with lower or higher characteristic gross density $\rho_k = 480$ kg/m³ has to be applied according to the following equation:

$$F_{ax,\alpha,Rk,\rho_a} = \left(\frac{\rho_k}{\rho_a = 480} \right)^{0,8} \cdot F_{ax,\alpha,Rk}$$

ρ_a ... associated characteristic density in kg/m³

Annex C

Performances

C.1.2 Shear forces

$$F_{v,Rd} = \min \left\{ \begin{array}{l} \frac{k_{mod} \cdot F_{v,Rk}}{\gamma_M} \\ \frac{k_{mod} \cdot F_{v,Rk;DT}}{\gamma_M} \end{array} \right.$$

$F_{v,Rk}$... see table C.1 and C.3

$F_{v,Rk;DT}$... shear capacity of the dowel type connector has to be calculated according EN1995-1-1

k_{mod} and γ_M ... see EN1995-1-1

Effective number of Hilti HCW: $n_{ef} = n$ for $a_1 \geq 400$ mm in longitudinal direction of grain.

C.2 Capacities of timber-to-steel connector joints

For Hilti HCW, HCW-S and HCW-L connected to a steel member using bolts, the calculation of the load-carrying capacity of the connection is based on:

- K_{ser} and F_{Rk} in table C.1 to table C.5 has to be applied

$$F_{v,Rd} = \frac{k_{mod} \cdot F_{v,Rk}}{\gamma_M}$$

$F_{v,Rk}$... see table C.1

k_{mod} and γ_M ...see EN1995-1-1

For Hilti HCW, HCW-S and HCW-L connected to a timber member using bolts or interconnection nuts the calculation of the load-carrying capacity of the connection is:

- K_{ser} and F_{Rk} in table C.1 to table C.5 has to be applied
- The bolts or interconnection nuts shall always be arranged as the screws they are replacing; characteristic values for the bolts or interconnection nuts have to be calculated according EN 1995-1-1 or acc. ETA of the product
- Sufficient diameter of washers is required for bolts
- The static behavior is the same as for a timber to timber connection with screws. The bolt capacities replace the respective screw capacities in equations C.1.

C.2.1 Combined forces

For combined shear and tension forces, the following verifications shall be applied:

- Between HCW and timber member described in section C.4, and
- Between connector and base material steel, the provisions according to EN 1993-1-1 apply.

Annex C

Performances

C.3 Capacities of timber-to-concrete connector joints

C.3.1 Axial forces:

$$F_{ax,Rd} = \min \left\{ \begin{array}{l} \frac{k_{mod} \cdot F_{ax,Rk}}{\gamma_M} \\ \frac{F_{t,Rk}}{\gamma_{M,2}} \\ \min N_{Rd} \end{array} \right.$$

$F_{ax,Rk}$... see table C.1 to C.3, characteristic withdrawal capacity
k_{mod} and γ_M	... see EN1995-1-1
$F_{t,Rk}$... see table C.1, steel failure of Hilti HCW and HCW-L
$\gamma_{M,2}$... see EN1993-1-1
$\min N_{Rd}$... decisive tensile capacity of concrete fastener (calculated according EN 1992-4)

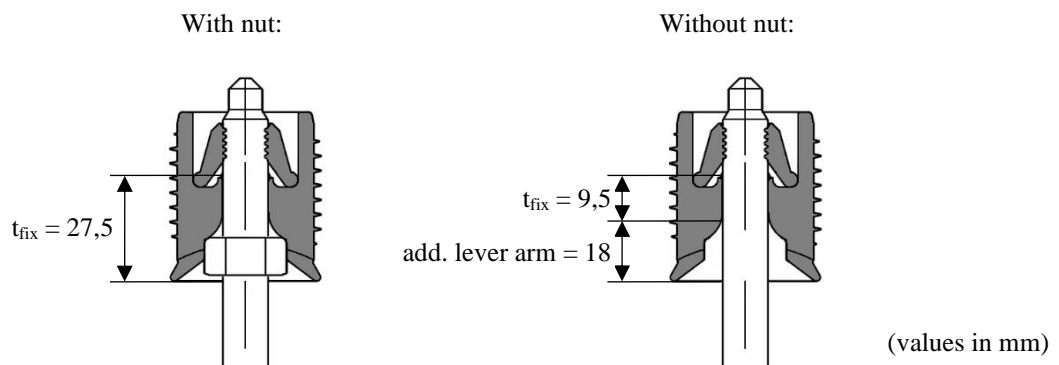
C.3.2 Shear forces (HCW and HCW-S):

$$F_{v,Rd} = \min \left\{ \begin{array}{l} \frac{k_{mod} \cdot F_{v,Rk}}{\gamma_M} \\ \min V_{Rd} \end{array} \right.$$

$F_{v,Rk}$... see table C.1 to C.3
k_{mod} and γ_M	... see EN1995-1-1
$\min V_{Rd}$... decisive shear capacity of concrete fastener (calculated according EN 1992-4)

Minimum edge distance and minimum spacing of the concrete fasteners must be regarded.

For shear loads acting on the concrete fastener following values shall be used as t_{fix} :



C.3.3 Combined forces

For combined shear and tension forces, the following verifications shall be applied:

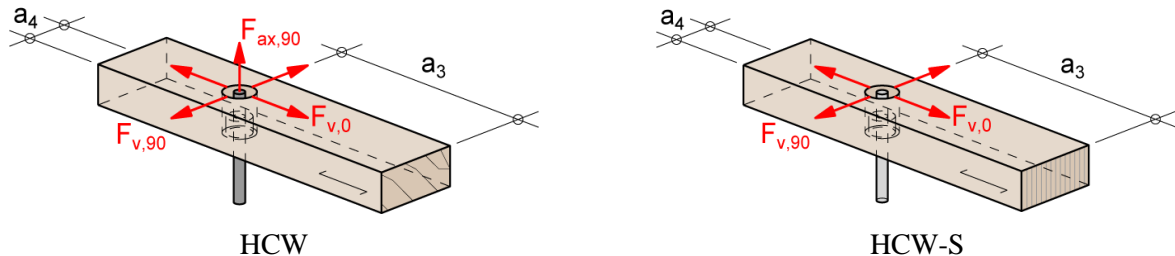
- Between HCW and timber member described in section C.4, and
- Between connector and base material concrete, the provisions according to EN 1992-4 apply.

Annex C

Performances

C.4 Combined forces (from HCW to the timber member)

In case of combined shear and tension forces transferred from HCW and HCW-S to the timber member, the following verification shall be fulfilled:



$$\left(\frac{F_{ax,90,Ed}}{F_{ax,90,Rd}}\right)^2 + \left(\frac{F_{v,0,Ed}}{F_{v,0,Rd}}\right)^2 + \left(\frac{F_{v,90,Ed}}{F_{v,90,Rd}}\right)^2 \leq 1$$

where:

$$F_{ax,90,Rd} = \frac{k_{mod} \cdot F_{ax,90,Rk}}{\gamma_M}$$

$F_{ax,90,Rk}$... see table C.1 to C.3, characteristic withdrawal capacity

k_{mod} and γ_M ... see EN1995-1-1

Note: $F_{ax,90,Rk}$ is not applicable for HCW-S.

$$F_{v,0,Rd} = \frac{k_{mod} \cdot F_{v,0,Rk}}{\gamma_M}$$

$F_{v,0,Rk}$... see table C.1 to C.3

k_{mod} and γ_M ... see EN1995-1-1

$$F_{v,90,Rd} = \frac{k_{mod} \cdot F_{v,90,Rk}}{\gamma_M}$$

$F_{v,90,Rk}$... see table C.1 to C.3

k_{mod} and γ_M ... see EN1995-1-1

C.5 Seismic behavior and Classes of Ductility of the Connectors

C.5.1 Ductility classes

Depending on their ductile behavior and energy dissipation capacity under seismic actions, timber buildings shall be assigned to a ductility class (DC) as given in EN 1998. To use the HCW and HCW-L Connector for an earthquake design a classification given Table C.4.1 should be assumed.

Table C.4.1: Ductility classes

HCW type	Fasteners Type	Threaded rod	Load direction	Design Concept and Ductility Classes according to EN 1998-1
HCW-L	Fully nailed (25 nails)	M12 ≤ 8.8	$F_{ax,0}$	DCL
	Partially nailed (15 nails)			DCM
HCW	-	M12 ≤ 8.8	$F_{ax,90}$	DCL
			$F_{v,0}$	DCM

Europäische Technische Bewertung ETA-21/0357 vom 31.01.2025

Übersetzung der Hilti Deutschland AG – Originalfassung in Englischer Sprache

I Allgemeiner Teil

Technische Bewertungsstelle, die die ETA ausstellt und gemäß Artikel 29 der Verordnung (EU) Nr. 305/2011 benannt ist: ETA-Danmark A/S

Handelsname des Bauprodukts:

Befestigungselement Hilti HCW, HCW L, HCW-S

Produktfamilie, zu der das obige Bauprodukt gehört:

Dreidimensionale Nagelplatte (verdeckte Trägerabhänger)

Hersteller:

Hilti AG
Feldkircherstrasse 100
9494 Schaan
Fürstentum Liechtenstein

Herstellwerk:

Hilti Werke

Diese Europäische Technische Bewertung enthält:

27 Seiten, darunter 3 Anhänge, die integraler Bestandteil des Dokuments sind

Diese Europäische Technische Bewertung ist gemäß der Verordnung (EU) Nr. 305/2011 und auf folgender Grundlage herausgegeben worden:

EAD 130186-00-0603 für dreidimensionale Nagelplatten

Diese Version ersetzt:

Die ETA mit der gleichen Nummer, ausgestellt am 1.3.2024

Übersetzungen dieser Europäischen Technischen Bewertung in andere Sprachen müssen dem Originaldokument vollständig entsprechen und müssen als solche gekennzeichnet sein.

Die Übermittlung dieser Europäischen Technischen Bewertung, einschließlich der Übermittlung auf elektronischem Wege, hat vollständig zu erfolgen (mit Ausnahme der oben genannten vertraulichen Anlagen). Eine teilweise Wiedergabe ist jedoch mit schriftlicher Zustimmung der ausstellenden Technischen Bewertungsstelle möglich. Jede teilweise Wiedergabe ist als solche zu kennzeichnen.

II SPEZIFISCHER TEIL DER EUROPÄISCHEN TECHNISCHEN BEWERTUNG

1 Technische Beschreibung des Produkts

Hilti HCW, HCW-S und HCW L sind zweiteilige Verbinder, die für Verbindungen von Holz zu Holz sowie für Verbindungen zwischen Holz und Stahl oder Holz und Beton verwendet werden.

Hilti HCW, HCW-S und HCW L haben einen Nenndurchmesser von 40 mm und werden in vorgebohrte Löcher in Holzbauteilen eingebaut (siehe Anhang A). Das Verbindungselement hat ein Ende mit M12 zum Einschieben in den Steckverbinder. Der Dübel in HCW und HCW-L wird von der Spannvorrichtung aus befestigt, sodass die Verbindungen sofort belastbar sind. Der HCW-S ist im Vergleich zum HCW Verbinder nur die Schraubmuffe ohne den Klemmechanismus, um auch axiale Lasten zu übertragen.

Der Typ des Verbindungselements kann sein:

- Gewindestange M12 (Mindeststärke 4,6) für Stahlverbindungen oder Holzverbindungen mit Bolzen
- Betondübel mit ETA und M12-Anschluss (Stahlfestigkeit $f_{u,k} \geq 500 \text{ N/mm}^2$)
- Holzschraube gem. EN 14592 oder ETA mit M12-Anschluss (Stahlfestigkeit $f_{u,k} \geq 400 \text{ N/mm}^2$)

Geometrie und Material

Die Verbinder sind aus Kohlenstoffstahl gemäß EN 10277 gefertigt und verzinkt. Die Abmessungen sind in Anhang A und typische Installationen in Anhang B dargestellt.

2 Spezifikation des Verwendungszwecks gemäß dem geltenden Europäischen Bewertungsdokument (im Folgenden EAD)

Die Verbinder sind für die Herstellung von Kopfholz-Seitenholz-Verbindungen, Kopfholz-Kopfholz- und Seitenholz-Seitenholz-Verbindungen in tragenden Holzkonstruktionen als Verbindung zwischen einem Holzwerkstoffträger und einem Massivholz (Weich- oder Hartholz) oder einem Holzwerkstoffträger vorgesehen, wobei die Anforderungen an die mechanische Festigkeit und Stabilität sowie die Nutzungssicherheit im Sinne der Grundanforderungen an Bauwerke 1 und 4 der Verordnung (EU) 305/2011 erfüllt werden müssen.

Sie sind auch für die Herstellung einer Kopfholz- oder Seitenholzverbindung zwischen einem Holzträger und

einem Stahl- oder Betonteil vorgesehen.

Die Verbinder können als Verbindungen zwischen Holzbauteilen installiert werden wie z.B.:

- Konstruktionsvollholz aus Weich- oder Hartholz gemäß EN 338 / EN 14081,
- Brettschichtholz aus Weich- oder Hartholz, klassifiziert gemäß EN 1194 / EN 14080, oder mit ETA oder nationaler Zulassung
- LVL gemäß EN 14374 oder ETA
- Parallam PSL,
- Intrallam LSL,
- Duo- und Triobalken,
- Brettsperrholz und ähnliche verleimte Bauprodukte gemäß EN16351 oder ETA.
- Holzwerkstoffe und Massivholzplatten gemäß EN13986 oder ETA, es gelten die Bestimmungen der ETA des Holzwerkstoffes
- Holzwerkstoffe gemäß ETA, wenn die ETA des Produkts Bestimmungen für die Verwendung von selbstschneidenden Schrauben enthält, es gelten die Bestimmungen der ETA des Holzwerkstoffes.

Die Berechnungsmethoden sind jedoch nur für eine charakteristische Holzdichte von bis zu 590 kg/m^3 für Weichholz und für Hartholz zulässig. Auch wenn der Werkstoff auf Holzbasis eine höhere Dichte hat, darf diese nicht in die Formeln für die Tragfähigkeit der Verbindungselemente eingehen.

Wird zwischen dem Hilti HCW, HCW-S und HCW L und dem Verbindungselement eine Zwischenlage aus Holzwerkstoff eingelegt, so ist der Einfluss der Zwischenlage auf die Tragfähigkeit des Verbindungselements zu berücksichtigen.

Anhang C enthält die Formeln für die charakteristischen Tragfähigkeiten der Verbindungen. Die Bemessung der Verbindungen muss dem Eurocode 5 oder/und dem Eurocode 8 oder einer vergleichbaren nationalen Holzbaunorm entsprechen.

Es wird davon ausgegangen, dass auf die Verbindung die folgenden Kräfte wirken: F_{ax} , und F_v . Die Kraft F_{ax} wirkt längs zum Verbinder (axial), F_v kann mit einer Exzentrizität in Bezug auf den Schwerpunkt von Hilti HCW, HCW-S und HCW L und dem Holzbauteil wirken.

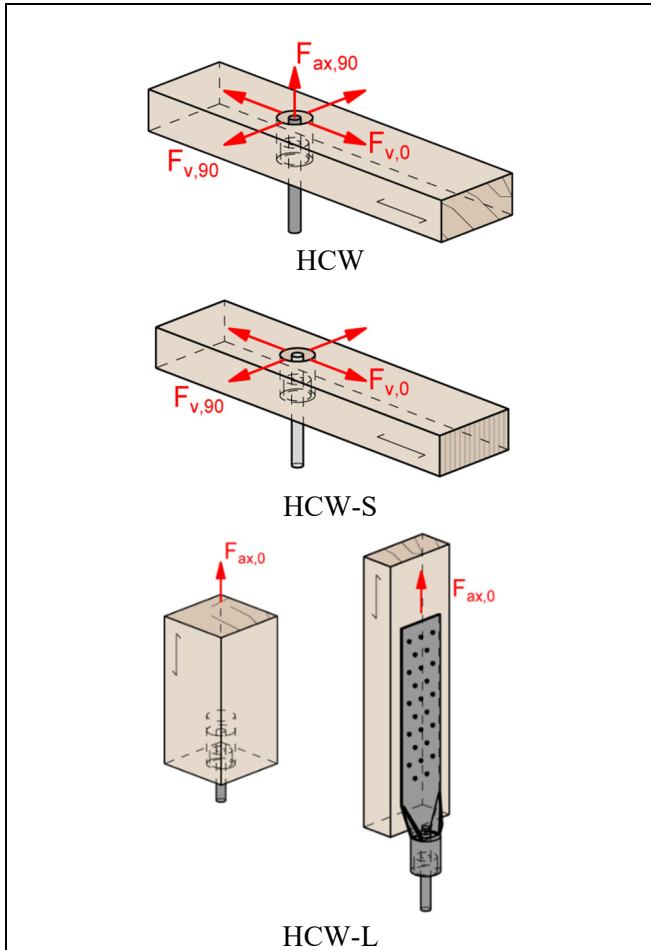


Abbildung 1: Lastrichtungen

Es wird davon ausgegangen, dass der Kopfträger an der Drehung gehindert wird. Ebenso wird davon ausgegangen, dass sich das Stahlteil, an dem der Verbinder angeschraubt ist, nicht dreht. Ist der Kopfträger nur auf einer Seite mit einem Verbinder versehen, so ist das Exzentrizitätsmoment $M_v = F_d \times b_H / 2$ zu berücksichtigen, wobei b_H die Kopfbreite ist. Das Gleiche gilt, wenn der Kopfträger auf beiden Seiten Anschlüsse hat, die vertikalen Kräfte aber um mehr als 20 % abweichen.

Die Verbinder sind für Verbindungen vorgesehen, die statischer oder quasi-statischer Beanspruchung und seismischer Beanspruchung ausgesetzt sind.

Die verzinkten Verbinder sind für den Einsatz in Holzkonstruktionen unter trockenen, inneren Bedingungen gemäß den Nutzungsklassen 1 und 2 der EN 1995-1-1 (Eurocode 5) bestimmt. Die zu verwendenden Verbindungselemente (Schrauben und Bolzen) und Gewindestangen müssen aus geeignetem Werkstoff bestehen. Es muss M12 mit einer Mindestfestigkeitsklasse von 4.6 verwendet werden.

Die Anforderungen an die Klemmvorrichtung hinsichtlich Korrosionsbeständigkeit sind entsprechend nationalen Bestimmungen festzulegen, die am

Aufstellungsort unter Berücksichtigung der Umweltbedingungen gelten.

Die in dieser Europäischen Technischen Bewertung getroffenen Bestimmungen beruhen auf einer angenommenen vorgesehenen Nutzungsdauer der Verbinder von 50 Jahren.

Die Angabe einer Nutzungsdauer kann nicht als Garantie des Herstellers oder der Bewertungsstelle verstanden werden, sondern ist lediglich ein Hilfsmittel zur Auswahl des richtigen Produkts in Bezug auf die angenommene wirtschaftlich angemessene Nutzungsdauer des Bauwerks.

3 Leistung des Produkts und Hinweise zu den Verfahren, die zu dessen Bewertung herangezogen wurden

Merkmale	Bewertung des Merkmals
3.1 Mechanische Festigkeit und Standsicherheit*) (BWR 1)	
Verbindungsfestigkeit - Charakteristische Tragfähigkeit	Siehe Anhang C
Steifigkeit der Verbindungen	Siehe Anhang C
Duktilität der Verbindungen	Siehe Anhang C
Widerstandsfähigkeit gegen seismische Einwirkungen	Siehe Anhang C
Widerstandsfähigkeit gegen Korrosion und Verfall	Siehe Abschnitt 3.5
3.2 Brandschutz (BWR 2)	
Brandverhalten	Die Verbinder sind aus Stahl der Euroklasse A1 gemäß EN13501-1 und der Delegierten Verordnung 2016/364 der Kommission hergestellt.
Brandbeständigkeit	Keine Leistung bewertet
3.3 Allgemeine Aspekte im Zusammenhang mit der Leistung des Produkts	
	Die Dauerhaftigkeit und Gebrauchstauglichkeit der Verbinder wurde bei Verwendung in Holzkonstruktionen mit den in Eurocode 5 beschriebenen Holzarten und unter den Bedingungen der Nutzungsklassen 1 und 2 als zufriedenstellend bewertet.
Identifizierung	Siehe Anhang A

*) Siehe zusätzliche Informationen in Abschnitt 3.4 – 3.6.

3.4 Aspekte im Zusammenhang mit der Leistung des Produkts

Die charakteristischen Tragfähigkeiten beruhen auf den charakteristischen Werten der Verbinder.

Gemäß EN 1990 (Eurocode – Bemessungsgrundlage) kann der Bemessungswert der Tragfähigkeit durch Abminderung der charakteristischen Werte der Tragfähigkeit mit verschiedenen Teilsicherheitsbeiwerten ermittelt werden.

Um Bemessungswerte nach den Eurocodes oder den entsprechenden nationalen Regelwerken zu erhalten, müssen die Tragfähigkeiten daher mit verschiedenen Teilsicherheitsbeiwerten für die Materialeigenschaften und – für die in Holz montierten Verbinder – auch mit dem Koeffizienten k_{mod} multipliziert werden, der die Klasse der Lasteinwirkungsdauer berücksichtigt.

So werden die charakteristischen oder Bemessungswerte der Tragfähigkeit als Minimum bestimmt von (siehe auch Anhang C):

- Holzversagen $F_{v,Rk}$ und $F_{ax,Rk}$ (zur Ermittlung der Verankerungsfestigkeit im Holzbauteil von Hilti HCW und HCW L unter Quer- bzw. Zugbeanspruchung sowie für
- Stahlversagen $F_{t,Rd}$ von Hilti HCW und HCW L sowie für
- Versagen $F_{ax,Rk,DT}$ des Verbindungselements unter Quer- und Zugbeanspruchung.
- Holzversagen $F_{v,Rk}$ (zur Ermittlung der Verankerungsfestigkeit im Holzbauteil von Hilti HCW-S unter Schubbeanspruchung.

Der Bemessungswert der Tragfähigkeit ist der kleinere Wert der Bemessungswerte.

$$F_{ax,Rd} = \min \left\{ \begin{array}{l} \frac{k_{mod} \cdot F_{ax,Rk}}{\gamma_M} \\ \frac{F_{t,Rk}}{\gamma_{M,2}} \\ k_{mod} \cdot F_{ax,Rk,DT} \\ \frac{\gamma_M}{\frac{F_{t,Rk,DT}}{\gamma_{M,2}}} \end{array} \right.$$

Daher werden bei Holzversagen die Klasse der Lasteinwirkungsdauer und die Nutzungsklasse einbezogen. Die unterschiedlichen Teilsicherheitsbeiwerte γ_M für Stahl oder Holz bzw. Beton werden ebenfalls korrekt berücksichtigt.

Außerdem können die Verbinder mit M12-Gewindebolzen in Löchern mit einem bis zu 2 mm größeren Durchmesser als die Gewindebolzen an einem Stahlteil und mit Betondübel an einem Betonteil befestigt werden.

Die Bemessungsmodelle erlauben die Verwendung der in Anhang A beschriebenen Verbindungselemente.

3.5 Korrosionsschutz in Nutzungsklasse 1 und 2.

Die Steckverbinder haben eine Zinkschichtdicke von 5 μm . Nagelplatten < 3 mm Dicke haben 8 μm für Nutzungsklasse 2.

3.6 Allgemeine Aspekte im Zusammenhang mit dem Verwendungszweck des Produkts

Eine Verbindung mit den Verbindern gilt für den vorgesehenen Verwendungszweck als geeignet, wenn Positionslöcher eine exakte Positionierung für vorgefertigte Wand- und Deckenelemente sicherstellen. Betonfundamente erfordern eine genaue Positionierung der Betondübel.

Kopfträger – Auflagerbedingungen

Der Kopfträger muss gegen Verdrehen gesichert sein.

Wenn der Kopfträger nur einseitig aufliegende Träger trägt, ist das Exzentrizitätsmoment aus dem Träger $M_{ec} = R_{joist} \times b_H/2$ beim Tragfähigkeitsnachweis des Kopfträgers zu berücksichtigen.

R_{joist} Reaktionskraft aus den Trägern
 b_H Breite des Kopfträgers

Für einen Kopfteil mit beidseitig aufliegenden Trägern, bei denen die vertikalen Kräfte um mehr als 20 % abweichen, gilt eine ähnliche Betrachtung.

Holz zu Holz Verbindungen

Die Verbindungsstelle ist nach Eurocode 5 oder einer entsprechenden nationalen Norm zu bemessen.

Die Hilti HCW, HCW-S und HCW L müssen über die gesamte Fläche in direktem Holz-zu-Holz Kontakt stehen. Dazwischen dürfen keine Zwischenschichten liegen, es sei denn, es werden statische Berechnungen für die Zwischenschicht durchgeführt.

Holz auf Stahl und Holz auf Beton

Die oben genannten Regeln für Holz-zu-Holz-Verbindungen gelten auch für die Verbindung mitaufliegendem Holzträger und Stahl- bzw. Betonkopfträgern.

- Die Verbindungsstelle ist nach den Eurocodes 2, 3, 5 oder 9 oder einem entsprechenden nationalen Bemessungsdokument zu bemessen.
- Die Hilti HCW, HCW-S und HCW L müssen über die gesamte Verbindungsfläche in direktem Kontakt mit dem Stahl oder Beton stehen. Dazwischen dürfen keine Zwischenschichten liegen, es sei denn, es erfolgen statische Berechnungen für die Zwischenschicht.
- Das Loch im Stahlträger darf einen Durchmesser von nicht mehr als 12 mm plus 2 mm haben.
- Betondübel müssen einer ETA entsprechen.

4 Das angewandte System zur Bewertung und Überprüfung der Leistungsbeständigkeit (im Folgenden AVCP) mit Verweis auf seine Rechtsgrundlage

4.1 AVCP-System

Gemäß der Entscheidung 97/808/EG der Europäischen Kommission¹ in der geänderten Fassung gilt das System/gelten die Systeme zur Bewertung und Überprüfung der Leistungsbeständigkeit (siehe Anhang V der Verordnung (EU) Nr. 305/2011) 2+.

5 Technische Einzelheiten, die für die Umsetzung des AVCP-Systems erforderlich sind, wie in der geltenden EAD vorgesehen

Die für die Umsetzung des AVCP-Systems erforderlichen technischen Einzelheiten sind im Prüfplan festgelegt, der vor der CE-Kennzeichnung bei ETA-Dänemark hinterlegt wird.

Ausgestellt in Kopenhagen am 31.01.2025 von

Thomas Bruun,
Managing Director, ETA-Danmark

Anhang A

Produktbeschreibung

Hilti HCW und HCW-S

Äußerer Durchmesser: 40 mm

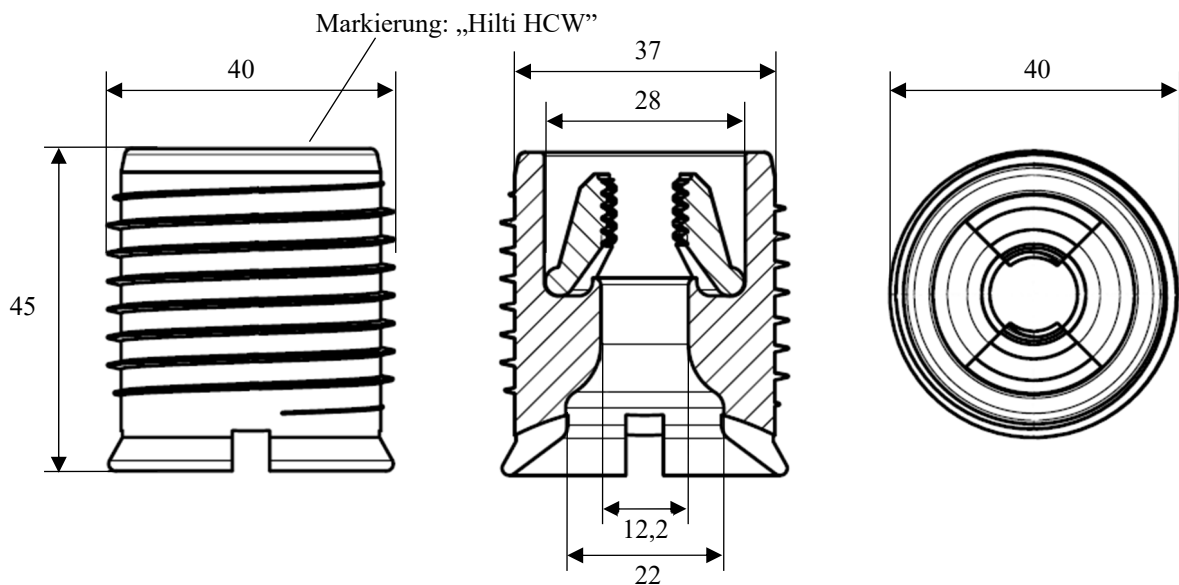
Durchmesser des Gehäuses: 37 mm

Länge: 45 mm

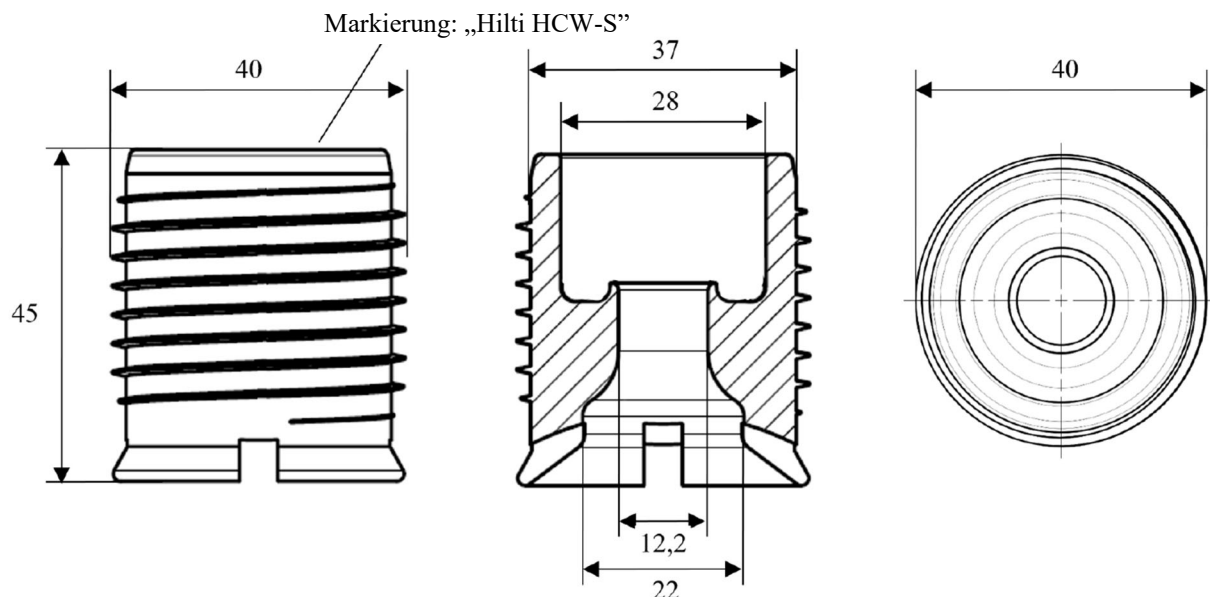
Werkstoff: Hülse: 11SMnPb30+C gemäß EN 10277;
Klemmvorrichtung des HCW: 11SMnPb30, 16MnCrS5+C gemäß EN 10277;
Galvanisch verzinkt $\geq 5 \mu\text{m}$
(gleichwertiges Material kann verwendet und in der Dokumentation der Fertigungsprüfung dokumentiert werden)

Farbe: HCW grau, HCW-S schwarz

HCW



HCW-S



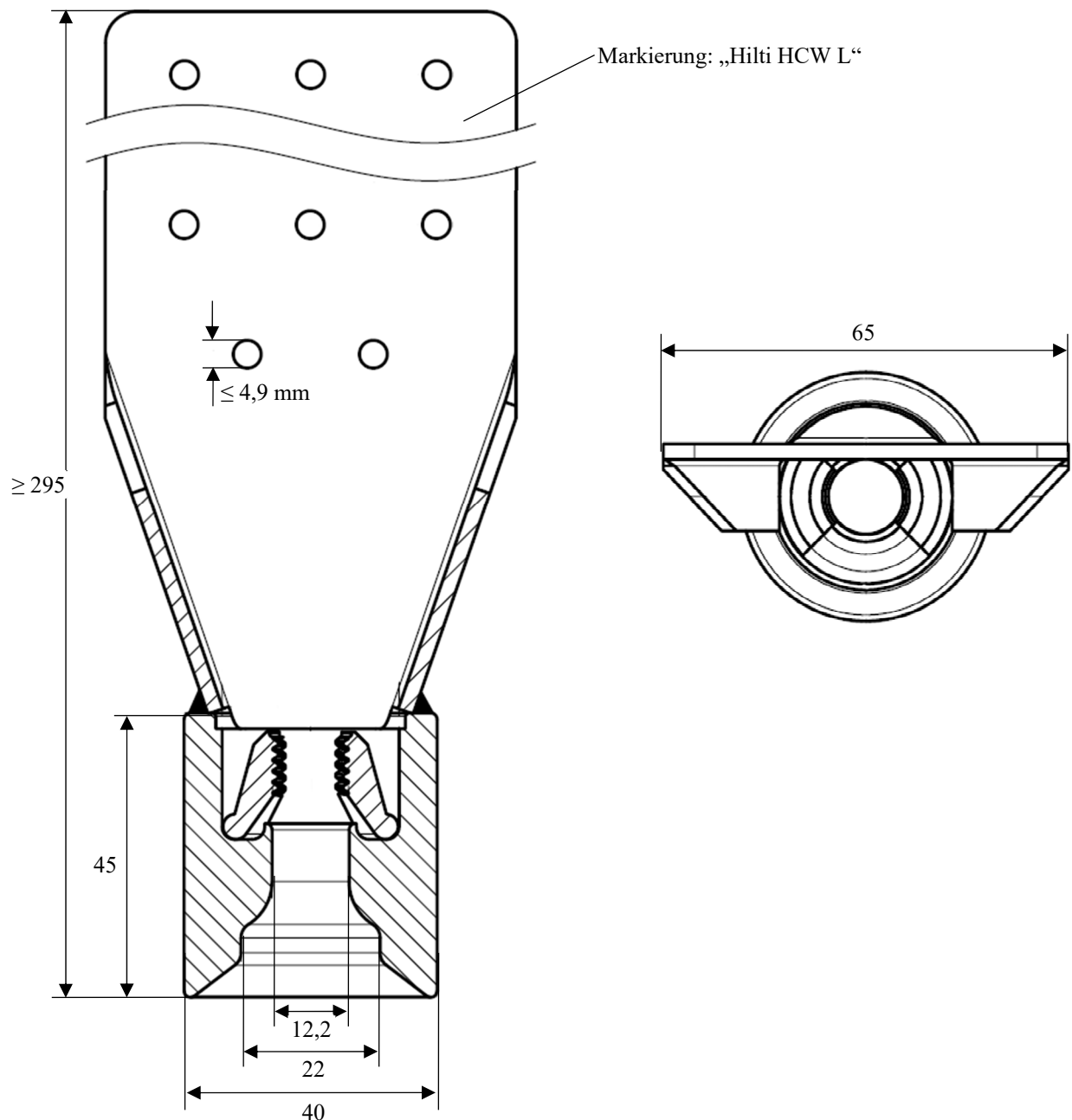
Anhang A

Produktbeschreibung

Hilti HCW L

Außendurchmesser, Hülse:	40 mm	Breite, Platte	65 mm
Länge, Hülse:	45 mm	Dicke, Platte	2,5 mm
Länge:	≥ 295 mm	Lochdurchmesser, Platte	$\leq 4,9$ mm
Werkstoff:	Hülse und Nagelplatte: S355J2 gemäß EN 10277 Klemmvorrichtung: 16MnCrS5+C gemäß EN 10277 Galvanisch verzinkt $\geq 5 \mu\text{m}$ (gleichwertiges Material kann verwendet und in der Dokumentation der Fertigungsprüfung dokumentiert werden)		

Abmessungen:



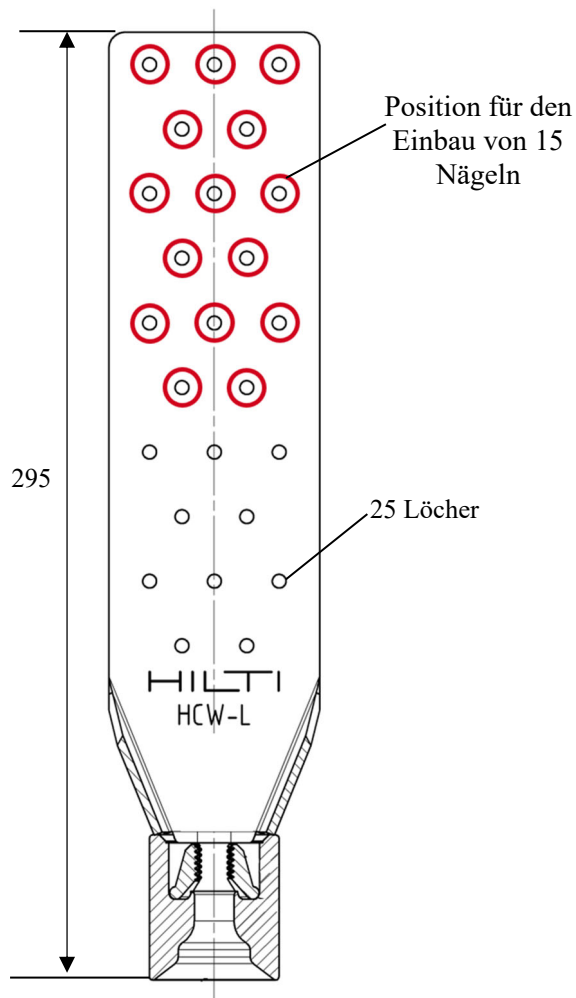
Anhang A

Produktbeschreibung

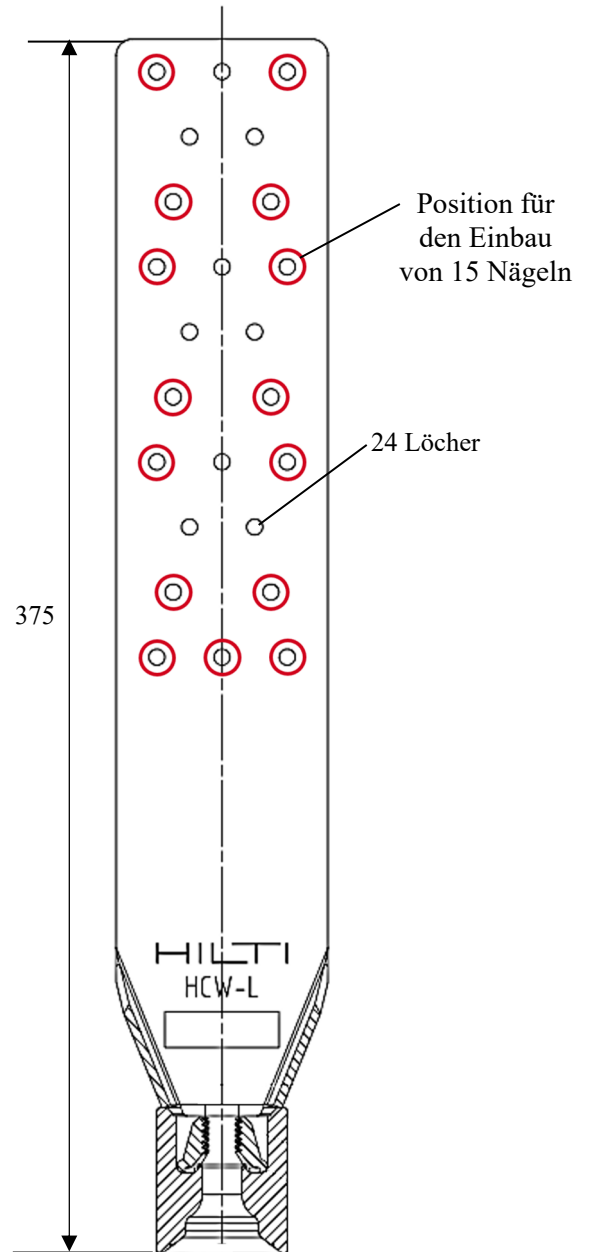
HCW L

Anordnungsvorlage der Löcher:

HCW L 40 x 295 M12



HCW-L 40 x 375 M12



Anhang A

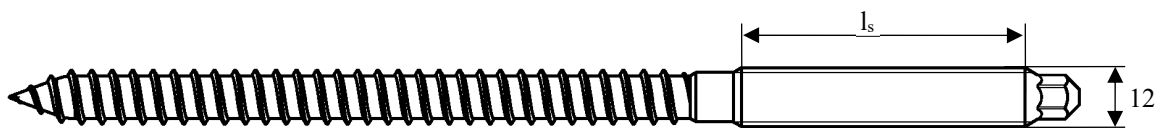
Produktbeschreibung

Stiftförmige Verbindungselemente:

- Oberseite zum Einschieben in Hilti HCW, HCW-S und HCW L: Gewinde M12 (min. $l_s = 40$ mm),
Stahlfestigkeit $f_{u,k} \geq 400$ N/mm² oder Werkstoff 4.6 oder besser.
- Unterseite: Holzgewinde gem. ETA oder EN14592 / Stahlverbindung gem. EC3 / Betondübel gemäß ETA

Holz-Holz-Verbindung

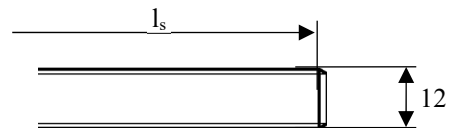
Holzgewinde gem. ETA oder EN 14592



z.B. Hilti HSW M12 ...
Holz
Gewinde gem. EN
14592

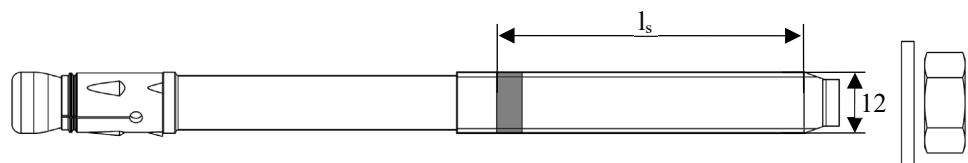
Holz-Stahl-Verbindung

Stahlverbindung nach EC3



Holz-Beton-Verbindung

Betonverbinder gemäß ETA

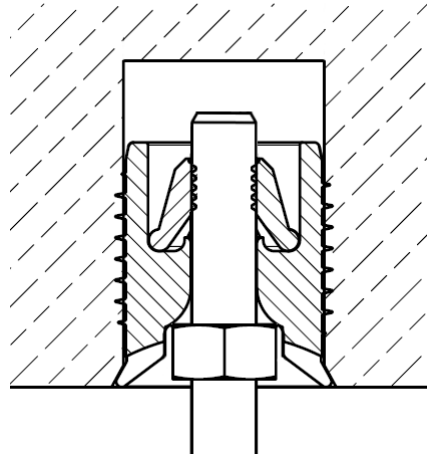


z.B. Hilti HST3 (ETA-98/0001)
oder Hilti HAS-U mit Hilti HIT-...

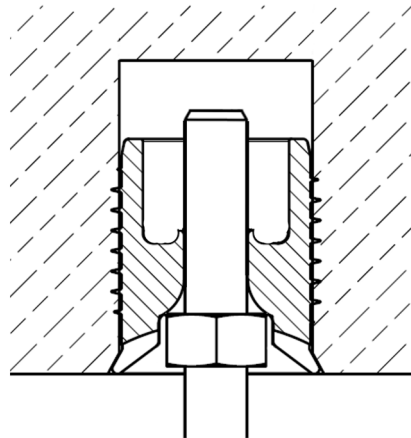
Anhang A

Produktbeschreibung

**Hilti HCW
mit eingebautem
Verbindungselement**



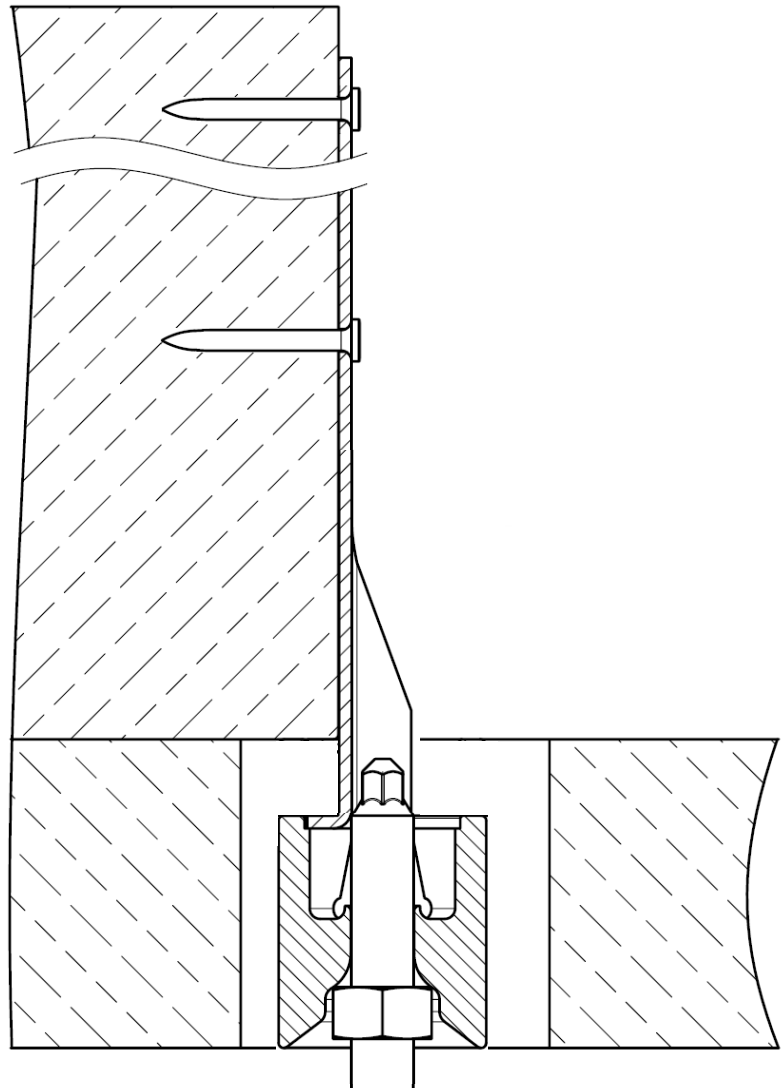
**Hilti HCW-S
mit eingebautem
Verbindungselement**



Anhang A

Produktbeschreibung

Hilti HCW L
mit eingebautem
Verbindungselement



Anhang B

Verwendungszweck

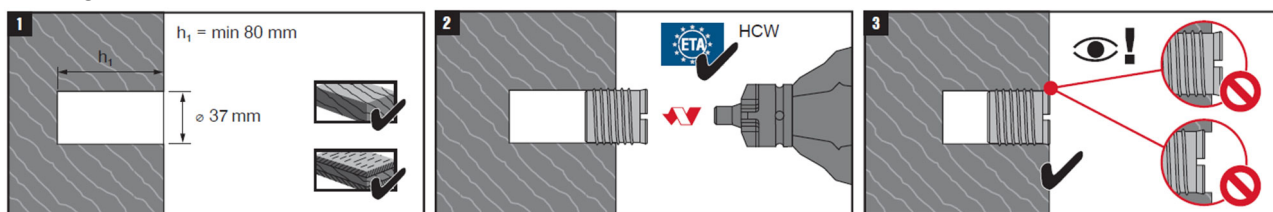
Einbauparameter

		HCW und HCW-S
Vorbohrdurchmesser (Weichholz und Hartholz)	d_0	37 mm
Minimale Bohrtiefe	h_1	≥ 80 mm
End- (a_3) und Rand- (a_4) abstände		Siehe Anhang C, Tabellen C.1, C.2 und C.3
-	-	-

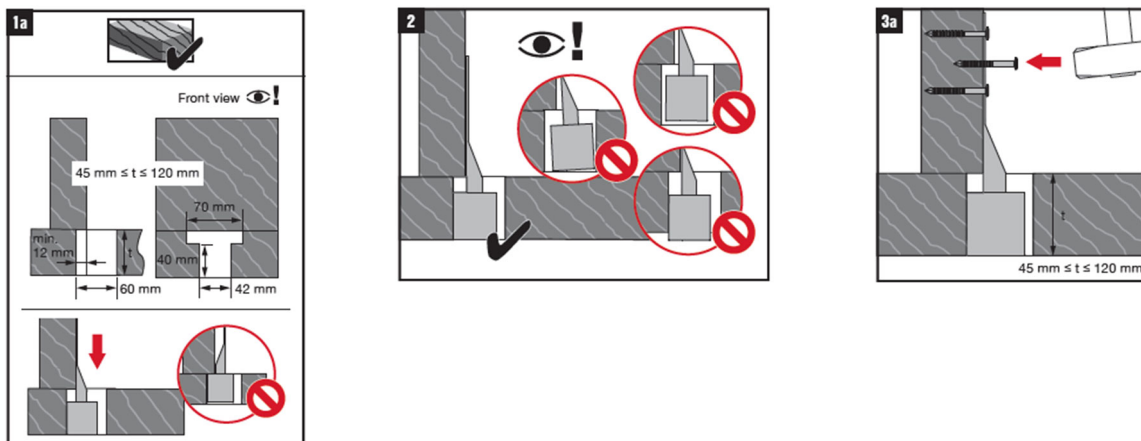
	HCW L
Nagel- Durchmesser	$d = 4$ mm und einer Länge von $l = 50$ mm ¹⁾ ; (Nägel gemäß EN 14592 oder ETA)
Durchmesser der Schraube	$d = 5$ mm und eine Länge von $l = 50$ mm ¹⁾ ; (Schrauben gemäß EN 14592 oder ETA)
¹⁾ Für andere Nageltypen und Nagellängen sind Berechnungen gemäß EN 1995-1-1 durchzuführen.	

Installationsanleitung Hilti HCW, HCW-S und HCW L

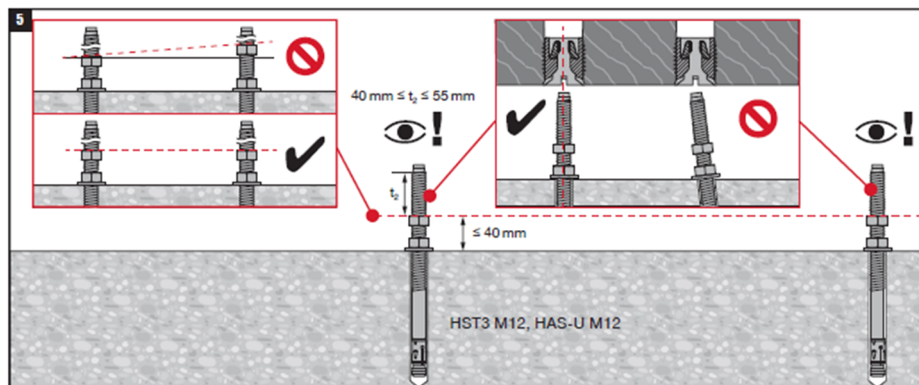
Montag HCW und HCW-S



Montage HCW L



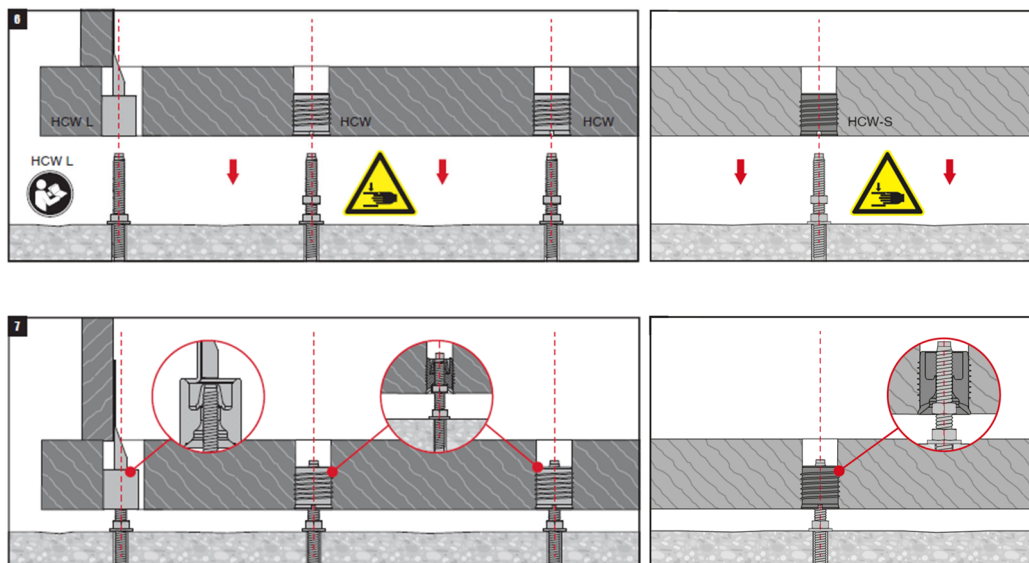
Nivellierung des Verbindungselements – HCW und HCW-S



Anhang B

Verwendungszweck

Anschluss von HCW, HCW-S und HCW L an das Verbindungselement



Anhang B

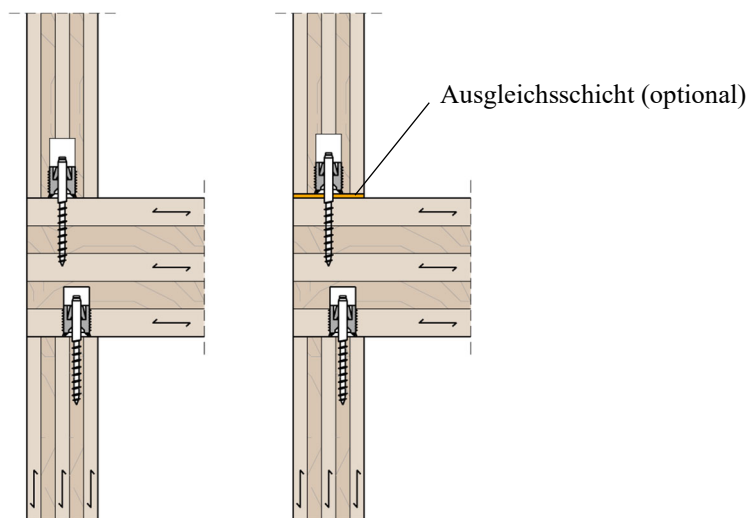
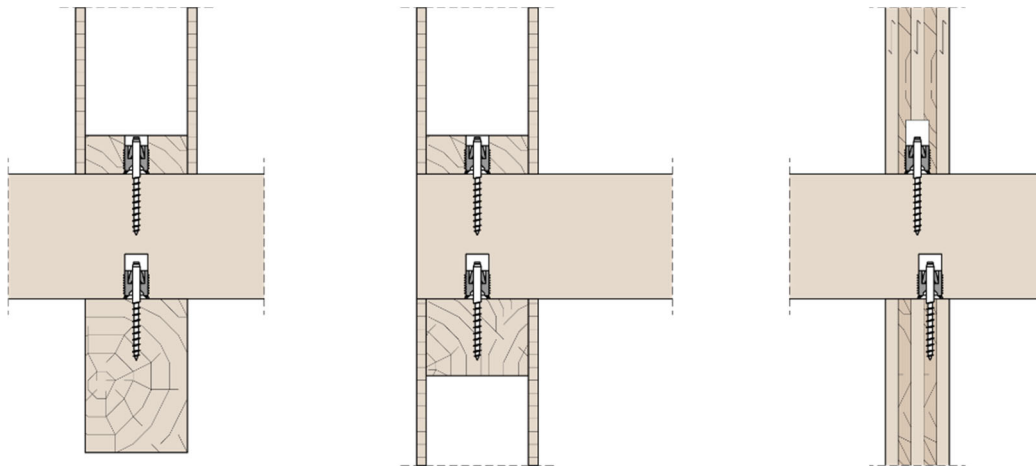
Verwendungszweck

Holz-Holz-Verbindung

Holzquerschnitte sind nur Beispiele (Mindestabmessungen siehe Anhang C)

Holzabmessungen gemäß statischer Berechnung

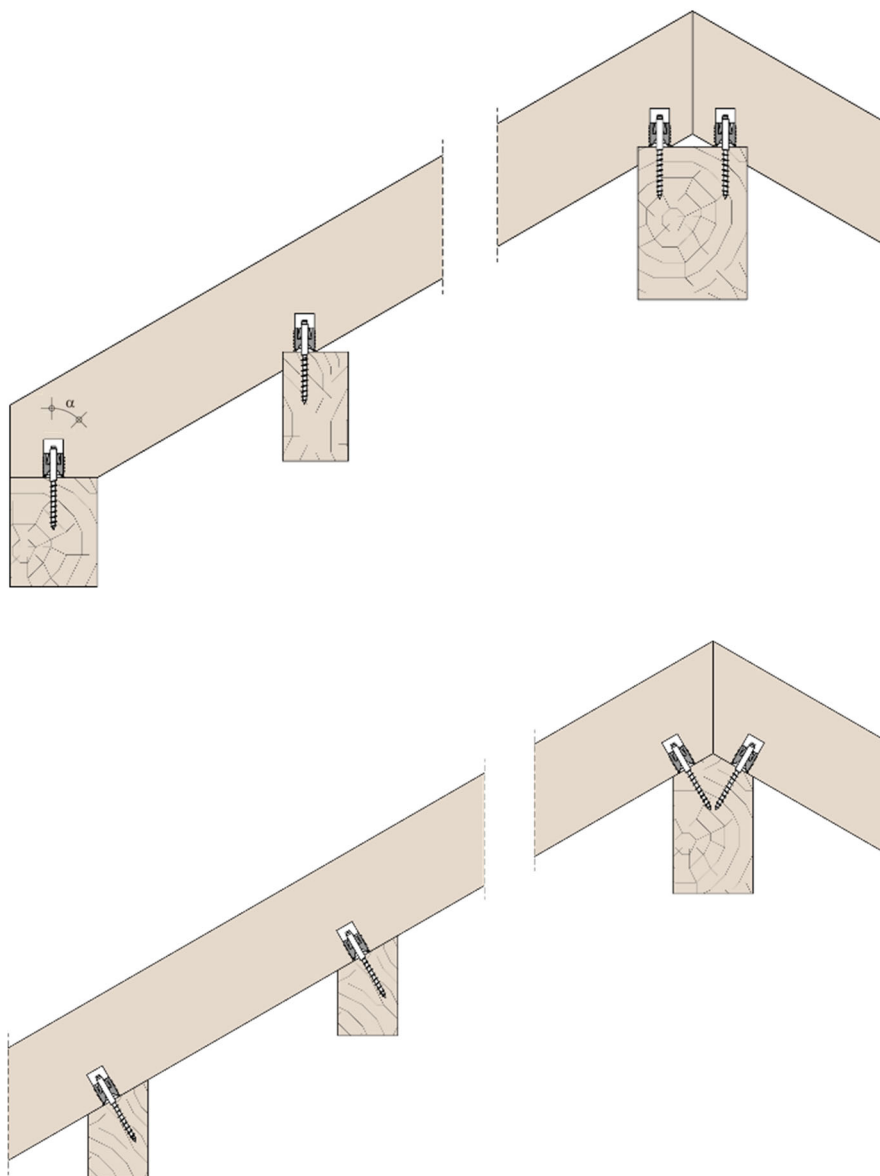
Wand (Verbindung mit HCW)



Anhang B

Verwendungszweck

Dach (Verbindung mit HCW)



Anhang B

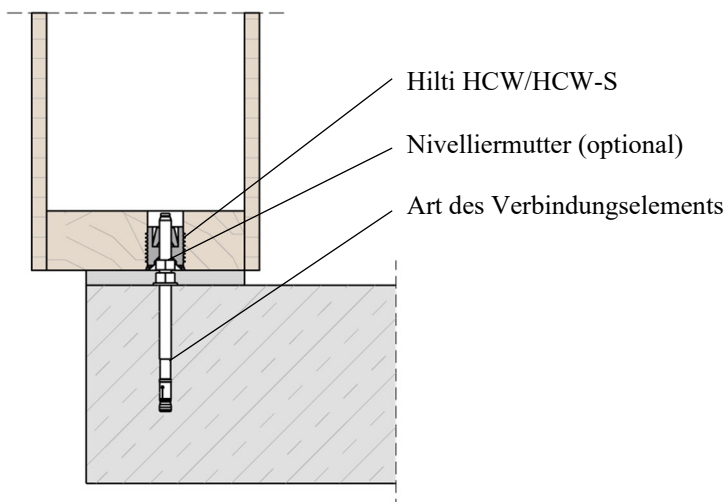
Verwendungszweck

Holz-Beton-Verbindung

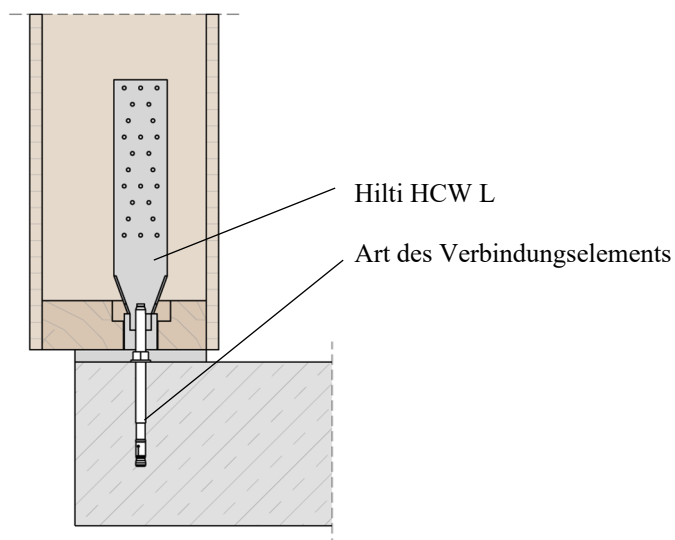
Holzquerschnitte sind nur Beispiele (Mindestabmessungen siehe Anhang C)

Holzabmessungen gemäß statischer Berechnung

Wand – Hilti HCW und/oder HCW-S



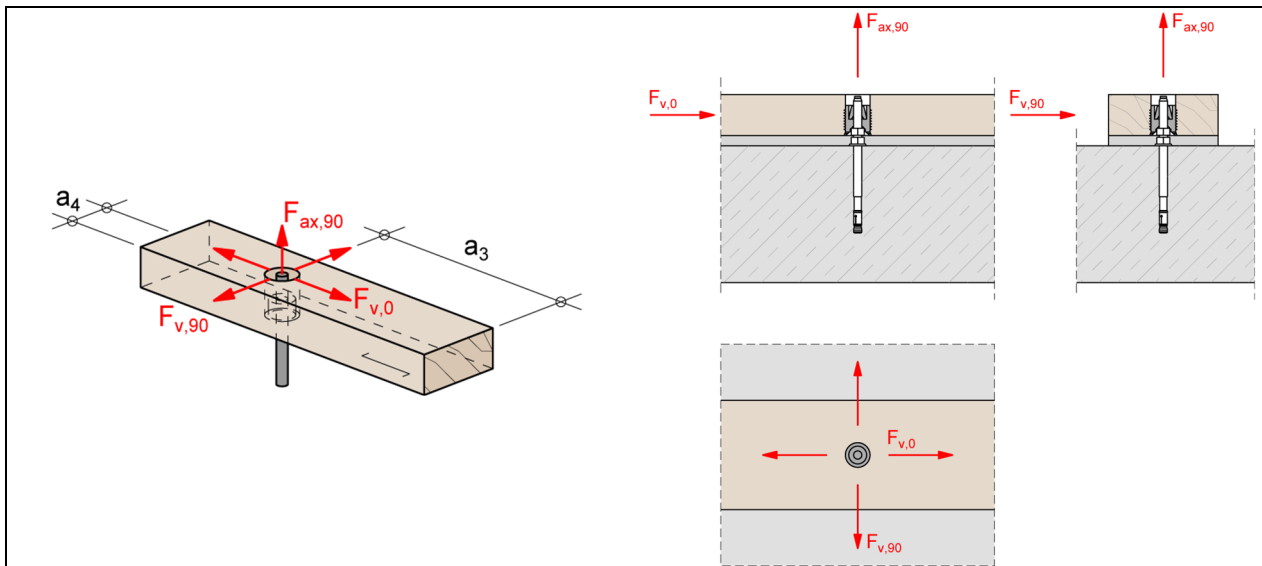
Wand – Hilti HCW L



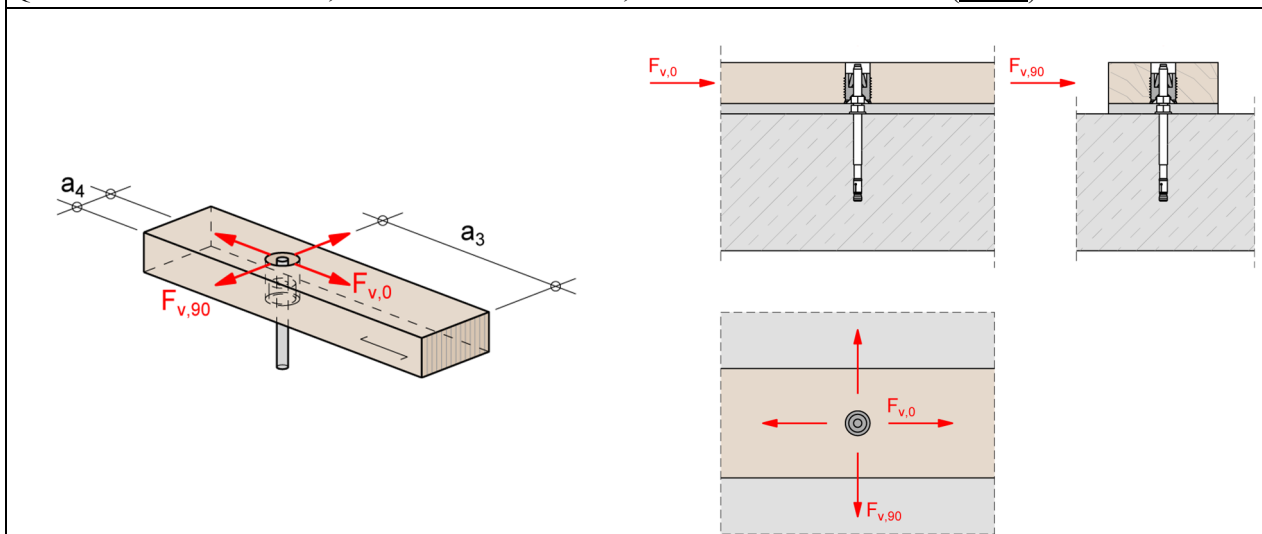
Anhang C

Leistungen

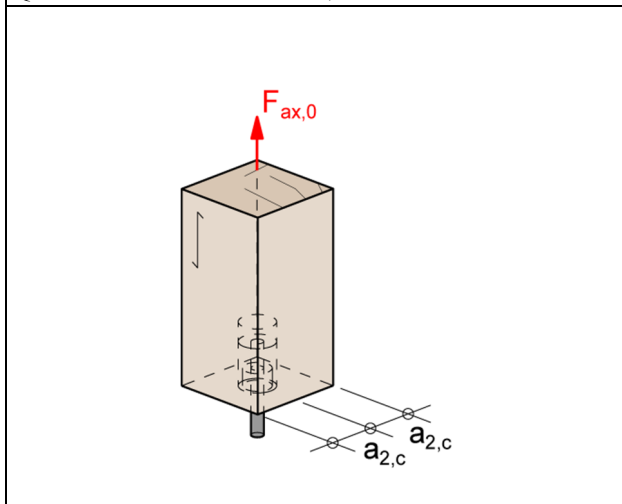
Allgemeine Informationen zu den Belastungsrichtung:



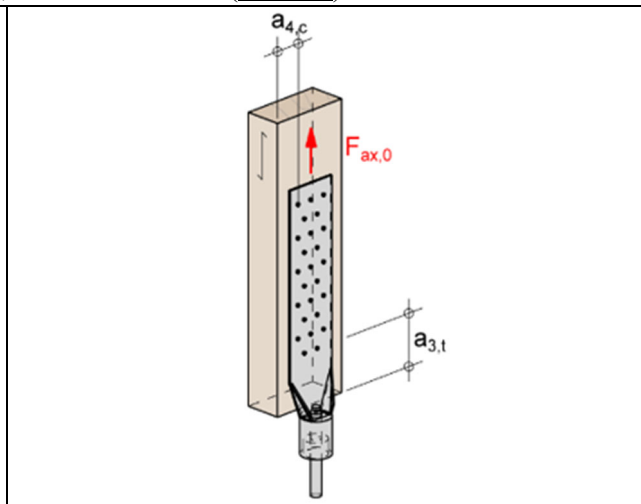
Querschnitt $\geq 80 \times 45 \text{ mm}^2$, End- und Randabstände, siehe Tabelle C.1 und C.2 (HCW)



Querschnitt $\geq 80 \times 45 \text{ mm}^2$, End- und Randabstände, siehe Tabelle C.1 (HCW-S)



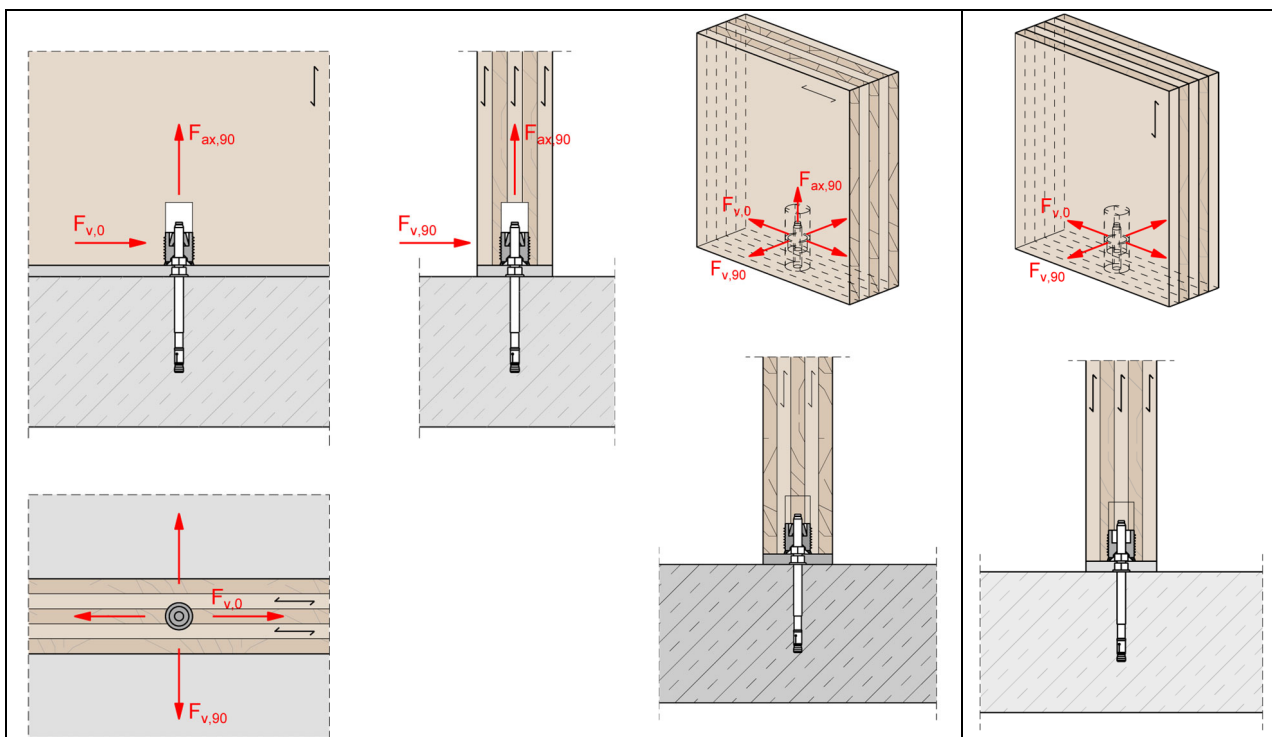
Querschnitt der Stütze $\geq 100 \times 100 \text{ mm}^2$
 Randabstand $\geq 50 \text{ mm}$, siehe Tabelle C.1 (HCW)



Querschnitt $\geq 80 \times 45 \text{ mm}$, siehe Tabelle C.1
 (HCW L)

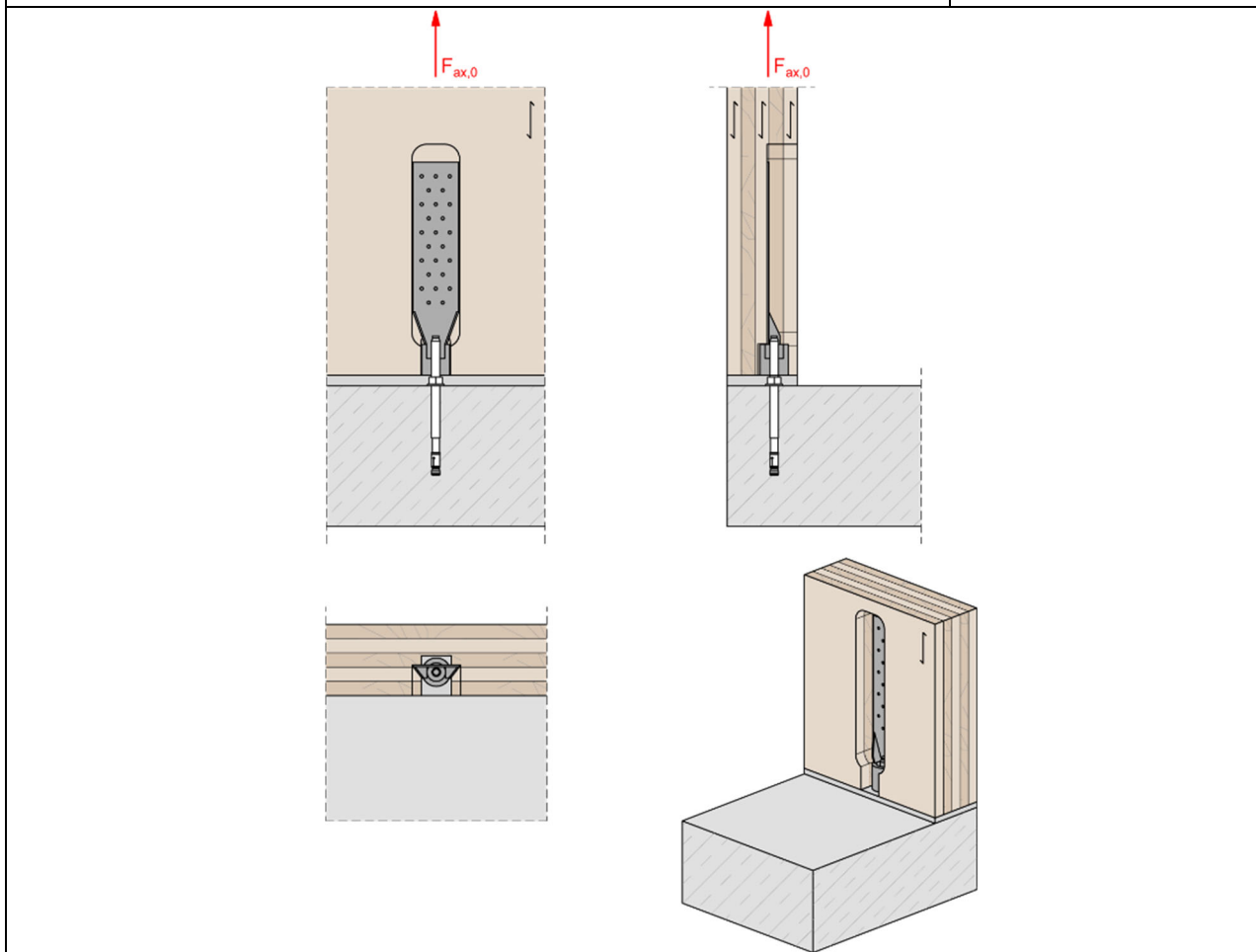
Anhang C

Leistungen



Belastungsrichtung bei CLT-Anwendungen für HCW, siehe Tabelle C.1

Für HCW-S, siehe
Tabelle C.1



Belastungsrichtung bei CLT-Anwendungen für HCW L, siehe Tabelle C.1

Anhang C

Leistungen

Tabelle C.1: Tragfähigkeiten für C24 und Holzwerkstoffe ($\rho_k = 350 \text{ kg/m}^3$), z.B. CLT, GL 24 h/c

Parameter	Typ	Typ des Verbindungsmittels		Holz		Charakteristische Tragfähigkeiten [kN]	
		Nägel/ Schraube n	Stange	Kantenabstände [mm]	Mindestquerschnitt [mm ²]		
Zugfestigkeit	HCW/ HCW-L	-	M12, 4,6 M12, 8,8	-		$F_{t,Rk}$	30,0
							42,0
	HCW-S	-					-
Axiale Festigkeit	HCW-L 40 x 295	15 Nägel	M12, 8,8	$a_{4,c} \geq 20$ $a_{3,t} \geq 58,5^{5)}$	45 x 80	$F_{ax,0,Rk}$	39,0 ⁶⁾
		25 Nägel ²⁾					45,0 ⁶⁾
	HCW-L 40 x 375	15 Nägel	M12, 8,8	$a_{4,c} \geq 20$ $a_{3,t} \geq 60$	45 x 80	$F_{ax,0,Rk}$	39,0 ⁶⁾
		24 Nägel ²⁾					45,0 ⁶⁾
Tragfähigkeit auf Herausziehen parallel zur Faser	HCW	-	M12, $\geq 4,6$	$a_{4,c} \geq 50$	100 x 100	$F_{ax,0,Rk}$	11,8
	HCW-S	-					-
Tragfähigkeit auf Herausziehen senkrecht zur Faser	HCW	-	M12, $\geq 4,6$	$a_4 \geq 40^{1)}$	45 x 80	$F_{ax,90,Rk}$	12,3
				$a_4 \geq 50^{1)}$	45 x 100		12,9
	HCW-S	-	$a_4 \geq 40^{1)}$	45 x 80	$F_{ax,90,Rk}$	-	
Quertragfähigkeit parallel zur Faser	HCW/ HCW-S	-	M12, $\geq 4,6$	$a_4 \geq 40^{1)}$	45 x 80	$F_{v,0,Rk}$	24,4
				$a_4 \geq 50^{1)}$	45 x 100		28,2
Quertragfähigkeit senkrecht zur Faser	HCW/ HCW-S	-	M12, $\geq 4,6$	$a_4 \geq 40^{1)}$	45 x 80	$F_{v,90,Rk}$	6,8
				$a_4 \geq 45^{1)}$	- ⁴⁾		15,0 ⁴⁾
				$a_4 \geq 50^{1)}$	45 x 100		8,5
				$a_4 \geq 70^{1)}$	45 x 140		11,8 ³⁾
				$a_4 \geq 80^{1)}$	45 x 140		11,8
							14,8

Hinweise: ¹⁾ Endabstand (a_3) ist ≥ 200 mm, Nachweise über die Nettoquerschnitte sind zu berücksichtigen gemäß EN 1995-1-1

²⁾ Für andere Nageltypen, -längen und -anzahl sind Berechnungen gemäß EN 1995-1-1 durchzuführen.

³⁾ Quertragfähigkeit bei Zug senkrecht zur Faser, verstärkt mit 2 Vollgewindeschrauben mit einem Durchmesser von $d = 8$ mm.

⁴⁾ Quertragfähigkeit ($F_{v,90}$) in CLT C24 Wänden.

⁵⁾ Der Mindestabstand $a_{3,t}$ beträgt 50 mm für CLT.

⁶⁾ Leistungen von HCW-L unter Verwendung von Nägeln ($d = 4$ mm) und Schrauben ($d = 5$ mm) mit einer Länge von 50 mm

Tabelle C.2: HCW-Tragfähigkeiten mit reduzierten End- und Randabständen für C24 und Holzwerkstoffe ($\rho_k = 350 \text{ kg/m}^3$), z.B. CLT, GL 24h/c

Parameter	Typ	Art des Verbindungselements		Holz C24 Abstände (a_3) und (a_4) [mm]	Charakteristische Tragfähigkeiten [kN]	
		Nägel/ Schrauben	Gewindestange			
Tragfähigkeit auf Herausziehen senkrecht zur Faser	HCW	-	M12, $\geq 4,6$	$a_3 \geq 50$ mm $a_4 \geq 50$ mm	$F_{ax,90,Rk}$	11,5
				$a_3 \geq 58$ mm $a_4 \geq 40$ mm		

Anhang C

Leistungen

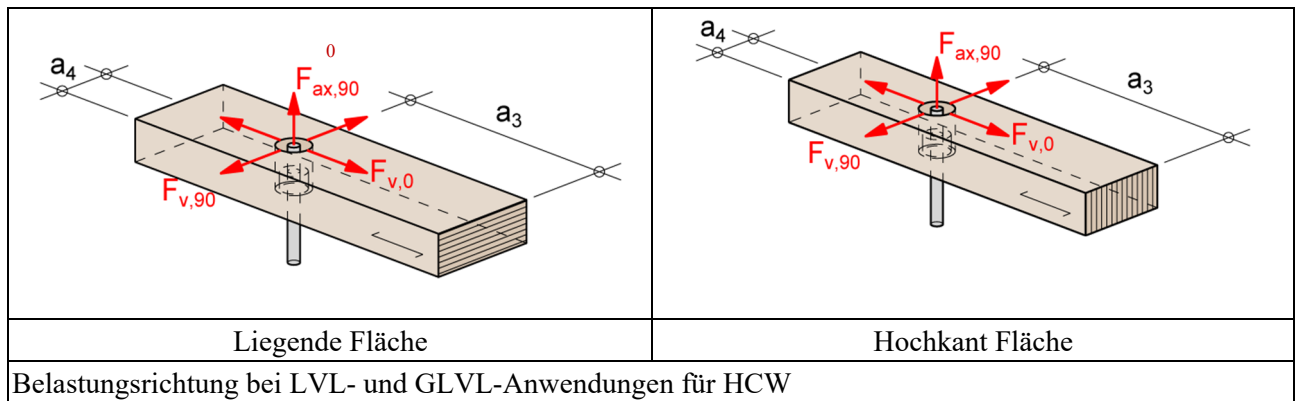


Tabelle C.3: Tragfähigkeiten für LVL ($\rho_k = 480 \text{ kg/m}^3$)

Parameter	Typ des Verbindungsmittels		Holz			Charakteristische Tragfähigkeiten [kN]	
		Stange	Typ	Randabstand (a_4) ¹⁾ [mm]	Mindestquerschnitt [mm ²]		
Zugfestigkeit	HCW	M12, 4,6	-	-	-	$F_{t,Rk}$	30,0
		M12, 8,8	-	-	-		42,0
Tragfähigkeit auf Herausziehen in der Fläche	HCW	M12, $\geq 4,6$	LVL-P ²⁾	≥ 60	120×45	$F_{ax,0,Rk}$	14,84
			LVL-C ²⁾				10,27
	HCW-S	-	-	-	-	-	-
Tragfähigkeit auf Herausziehen Hochkant Fläche	HCW	M12, $\geq 4,6$	GLVL-P ²⁾	≥ 60	120×45	$F_{ax,90,Rk}$	13,82
			GLVL-C ²⁾				9,56
	HCW-S	-	-	-	-	-	-
Quertragfähigkeit parallel zur Faserrichtung liegenden Fläche	HCW / HCW-S	M12, $\geq 4,6$	LVL-P ²⁾	≥ 60	120×45	$F_{v,0,Rk}$	58,77
			LVL-C ²⁾	≥ 60			47,36
Quertragfähigkeit parallel zur Faserrichtung Hochkant Fläche	HCW / HCW-S	M12, $\geq 4,6$	GLVL-P ²⁾	≥ 60	120×45	$F_{v,0,Rk}$	36,77
			GLVL-C ²⁾	≥ 60			26,60
				≥ 40	80×45		16,92
Quertragfähigkeit senkrecht zur Faserrichtung liegenden Fläche	HCW / HCW-S	M12, $\geq 4,6$	LVL-P ²⁾	≥ 60	120×45	$F_{v,90,Rk}$	18,33
			LVL-C ²⁾	≥ 60			29,15
Quertragfähigkeit senkrecht zur Faserrichtung Hochkant Fläche	HCW / HCW-S	M12, $\geq 4,6$	GLVL-P ²⁾	≥ 60	120×45	$F_{v,90,Rk}$	10,51
			GLVL-C ²⁾	≥ 60			9,58
				≥ 40	80×45		4,79

Hinweise: ¹⁾ Der Endabstand (a_3) beträgt $\geq 200 \text{ mm}$.

²⁾ P – parallele Schichten; C – kreuzweise verlaufende Schichten.

Anhang C

Leistungen

Tabelle C.4: Verschiebemodul im Grenzzustand der Gebrauchstauglichkeit (SLS) mit Standard-End- und Randabständen für C24 und Holzwerkstoffe ($\rho_k = 350 \text{ kg/m}^3$), z.B. CLT, GL 24h/c

Parameter	Typ	Art des Verbindungselements		Holz C24		Schlupfwert (K_{ser}) [kN/mm]	
		Nägel/Schrauben	Gewindestange	Randabstand (a_4) ¹⁾ [mm]	Mindestquerschnitt [mm ²]		
Tragfähigkeit auf Herausziehen parallel zur Faser	HCW	-	M12, ≥ 4.6	≥ 50	100 x 100	$K_{ax,0,ser}$	15,0
Tragfähigkeit auf Herausziehen senkrecht zur Faser	HCW	-	M12, ≥ 4.6	≥ 40	45 x 80	$K_{ax,90,ser}$	4,5
				≥ 50	45 x 100		7,9
Quertragfähigkeit parallel zur Faser	HCW/ HCW-S	-	M12, ≥ 4.6	≥ 40	45 x 80	$K_{v,0,ser}$	5,2
				≥ 50	45 x 100		5,5
Quertragfähigkeit senkrecht zur Faser	HCW/ HCW-S	-	M12, ≥ 4.6	≥ 40	45 x 80	$K_{v,90,ser}$	3,5
				≥ 45	- ¹⁾		5,1 ²⁾
				≥ 50	45 x 100		4,0
				≥ 70	45 x 140		4,0
				≥ 80	45 x 140		4,0

Hinweise: ¹⁾ Der Endabstand (a_3) beträgt ≥ 200 mm.
Verschiebemodul ($K_{v,90,ser}$) in CLT C24 Wänden.

Tabelle C.5: Verschiebemodul im Grenzzustand der Gebrauchstauglichkeit (SLS) für LVL ($\rho_k = 480 \text{ kg/m}^3$)

Parameter	Typ des Verbindungsmittels		Holz			Charakteristische Tragfähigkeiten [kN]	
		Stange	Typ	Randabstand (a_4) ¹⁾ [mm]	Mindestquerschnitt [mm ²]		
Tragfähigkeit auf Herausziehen in der Fläche	HCW	M12, ≥ 4.6	LVL-P ²⁾	≥ 60	120 x 45	$K_{ax,0,Rk}$	7,86
			LVL-C ²⁾				3,56
	HCW-S	-	-	-	-	-	-
Tragfähigkeit auf Herausziehen Hochkant Fläche	HCW	M12, ≥ 4.6	GLVL-P ²⁾	≥ 60	120 x 45	$K_{ax,90,Rk}$	6,36
			GLVL-C ²⁾				2,88
	HCW-S	-	-	-	-	-	-
Quertragfähigkeit parallel zur Faserrichtung liegenden Fläche	HCW / HCW-S	M12, ≥ 4.6	LVL-P ²⁾	≥ 60 ¹⁾	120 x 45	$K_{v,0,Rk}$	8,58
			LVL-C ²⁾	≥ 60 ¹⁾			10,92
Quertragfähigkeit parallel zur Faserrichtung Hochkant Fläche	HCW / HCW-S	M12, ≥ 4.6	GLVL-P ²⁾	≥ 60 ¹⁾	120 x 45	$K_{v,90,Rk}$	6,50
			GLVL-C ²⁾	≥ 60 ¹⁾			5,27
				≥ 40 ¹⁾	80 x 45		5,41
Quertragfähigkeit senkrecht zur Faserrichtung liegenden Fläche	HCW / HCW-S	M12, ≥ 4.6	LVL-P ²⁾	≥ 60 ¹⁾	120 x 45	$K_{v,90,Rk}$	10,94
			LVL-C ²⁾	≥ 60 ¹⁾			8,71
Quertragfähigkeit senkrecht zur Faserrichtung Hochkant Fläche	HCW / HCW-S	M12, ≥ 4.6	GLVL-P ²⁾	≥ 60 ¹⁾	120 x 45	$K_{v,90,Rk}$	8,59
			GLVL-C ²⁾	≥ 60 ¹⁾			3,80
				≥ 40 ¹⁾	80 x 45		1,90

Hinweise: ¹⁾ Endabstand (a_3) ist ≥ 200 mm
²⁾ P – Parallele Schichten; C – Querschichten

Anhang C

Leistungen

C.1 Tragfähigkeiten von Holz-Holz-Verbindungen

C.1.1 Axialkräfte (Herausziehen)

$$F_{ax,Rd} = \min \left\{ \begin{array}{l} \frac{k_{mod} \cdot F_{ax,Rk}}{\gamma_M} \\ \frac{F_{t,Rk}}{\gamma_{M,2}} \\ \frac{k_{mod} \cdot F_{ax,Rk,DT}}{\gamma_M} \\ \frac{F_{t,Rk,DT}}{\gamma_{M,2}} \end{array} \right.$$

- $F_{ax,Rk}$... siehe Tabelle C.1 bis C.3, charakteristische Tragfähigkeit auf Herausziehen
 $F_{t,Rk}$... siehe Tabelle C.1, Stahlversagen von Hilti HCW und HCW L
 $F_{ax,Rk,DT}, F_{t,Rk,DT}$... Tragfähigkeit auf Herausziehen und Stahltragfähigkeit der Dübelverbindung (siehe DoP ... gem. EN 14592 / ETA)
 k_{mod} und γ_M ... siehe EN 1995-1-1
 $\gamma_{M,2}$... siehe EN 1993-1-1

$F_{ax,0,Rk}$ in Tabelle C.1 bis C.3 für Hilti HCW gilt nur für Kurzzeit- (z.B. Wind) und momentan vorherrschende Lasteinwirkungsklassen.

Für alle anderen längeren Klassen der Lasteinwirkungsdauer und Zugkraft senkrecht zur Faser-richtung gemäß EN 1995-1-1:

- Für Winkel $0^\circ \leq \alpha \leq 45^\circ$ zwischen der Schraubenachse und Holzfaserrichtung ergibt sich $F_{ax,\alpha,Rk}$ mit:

$$F_{ax,\alpha,Rk} = k_{ax} \cdot F_{ax,90,Rk} \quad \text{with: } k_{ax} = 0,3 + \frac{0,7 \cdot \alpha}{45^\circ}$$

- Bei Winkeln von $45^\circ \leq \alpha \leq 90^\circ$ zwischen Schraubenachse und Holzfaserrichtung bleibt $F_{ax,\alpha,Rk}$ konstant.

α ... Winkel zwischen Faserrichtung und Schraubenachse; $\alpha = 0^\circ$ Kopfholz, $\alpha = 90^\circ$ Seitenholz

$F_{ax,\alpha,Rk}$ für Holzbauteile mit einer niedrigeren oder höheren Festigkeitsklasse als C24 (EN 338): EN 1995-1-1, 8.7 muss angewendet werden.

$$F_{ax,\alpha,Rk,\rho_a} = \left(\frac{\rho_k}{\rho_a = 350} \right)^{0,8} \cdot F_{ax,\alpha,Rk}$$

ρ_a ... zugehörige charakteristische Dichte in kg/m^3 für die Festigkeitsklasse abweichend von C24

$F_{ax,\alpha,Rk}$ für LVL-P/C-Träger aus Weichholz mit niedrigerer oder höherer charakteristischer Rohdichte als $\rho_k = 480 \text{ kg/m}^3$ ist nach der folgenden Gleichung anzuwenden:

$$F_{ax,\alpha,Rk,\rho_a} = \left(\frac{\rho_k}{\rho_a = 480} \right)^{0,8} \cdot F_{ax,\alpha,Rk}$$

ρ_a ... zugehörige charakteristische Dichte in kg/m^3

Anhang C

Leistungen

C.1.2 Querkräfte

$$F_{v,Rd} = \min \left\{ \begin{array}{l} \frac{k_{mod} \cdot F_{v,Rk}}{\gamma_M} \\ \frac{k_{mod} \cdot F_{v,Rk;DT}}{\gamma_M} \end{array} \right.$$

$F_{v,Rk}$... siehe Tabelle C.1 und C.3

$F_{v,Rk;DT}$... die Quertragfähigkeit der Dübelverbindung ist gemäß EN1995-1-1 zu berechnen

k_{mod} und γ_M ... siehe EN1995-1-1

Effektive Anzahl der Hilti HCW: $n_{ef} = n$ für $a_1 \geq 400$ mm in Längsrichtung der Faser.

C.2 Tragfähigkeiten von Holz-Stahl-Verbindungen

Für Hilti HCW, HCW-S und HCW L, die mittels Gewindebolzen mit einem Stahlbauteil verbunden werden, basiert die Berechnung der Tragfähigkeit der Verbindung auf:

- K_{ser} und F_{Rk} in Tabelle C.1 bis Tabelle C.5 müssen angewendet werden

$$F_{v,Rd} = \frac{k_{mod} \cdot F_{v,Rk}}{\gamma_M}$$

$F_{v,Rk}$... siehe Tabelle C.1

k_{mod} und γ_M ... siehe EN1995-1-1

Für Hilti HCW, HCW-S und HCW L, die mit Gewindebolzen oder Verbindungsmuttern mit einem Holzbauteil verbunden werden, ist die Berechnung der Tragfähigkeit der Verbindung:

- K_{ser} und F_{Rk} in Tabelle C.1 bis Tabelle C.5 müssen angewendet werden
- Die Gewindebolzen bzw. Verbindungsmuttern sind immer so anzuordnen wie die Schrauben, die sie ersetzen; die Kennwerte für die Schrauben bzw. Verbindungsmuttern sind gemäß EN 1995-1-1 bzw. gem. ETA des Produkts zu berechnen.
- Für die Gewindebolzen ist ein ausreichender Durchmesser der Unterlegscheiben erforderlich
- Das statische Verhalten ist das gleiche wie bei einer Holz-Holz-Verbindung mit Schrauben. Die Gewindebolzenkapazitäten ersetzen die entsprechenden Schraubenkapazitäten in den Gleichungen C.1.

C.2.1 Kombinierte Kräfte

Für kombinierte Quer- und Zugkräfte sind die folgenden Nachweise zu erbringen:

- Zwischen HCW und dem in Abschnitt C.4 beschriebenen Holzbauteil und
- Zwischen Verbinder und Verankerungsgrund Stahl gelten die Bestimmungen von EN 1993-1-1.

Anhang C

Leistungen

C.3 Tragfähigkeiten von Holz-Beton-Verbindungen

C.3.1 Axialkräfte:

$$F_{ax,Rd} = \min \left\{ \begin{array}{l} \frac{k_{mod} \cdot F_{ax,Rk}}{\gamma_M} \\ \frac{F_{t,Rk}}{\gamma_{M,2}} \\ \min N_{Rd} \end{array} \right.$$

- $F_{ax,Rk}$... siehe Tabelle C.1 bis C.3, charakteristische Tragfähigkeit auf Herausziehen
 k_{mod} und γ_M ... siehe EN1995-1-1
 $F_{t,Rk}$... siehe Tabelle C.1, Stahlversagen von Hilti HCW und HCW L
 $\gamma_{M,2}$... siehe EN1993-1-1
 N_{Rd} mind. ... maßgebliche Zugtragfähigkeit der Betondübel (berechnet gemäß EN 1992-4)

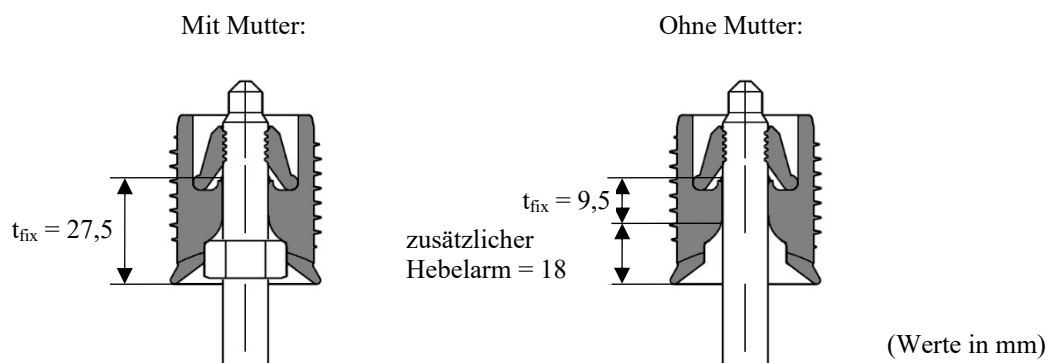
C.3.2 Querkräfte (HCW und HCW-S):

$$F_{v,Rd} = \min \left\{ \begin{array}{l} \frac{k_{mod} \cdot F_{v,Rk}}{\gamma_M} \\ \min V_{Rd} \end{array} \right.$$

- $F_{v,Rk}$... siehe Tabelle C.1 bis C.3
 k_{mod} und γ_M ... siehe EN1995-1-1
 V_{Rd} mind. ... maßgebliche Quertragfähigkeit der Betondübel (berechnet gemäß EN 1992-4)

Mindestrandabstand und Minimaler Achsabstand der Betondübel müssen beachtet werden.

Für die auf die Betondübel einwirkenden Querkräfte sind folgende Werte als t_{fix} zu verwenden:



C.3.3 Kombinierte Kräfte

Für kombinierte Quer- und Zugkräfte sind die folgenden Nachweise zu erbringen:

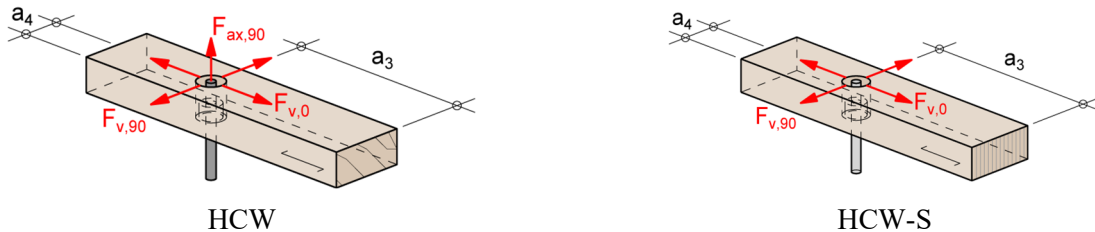
- Zwischen HCW und dem in Abschnitt C.4 beschriebenen Holzbauteil und
- Zwischen Verbinder und Verankerungsgrund Beton gelten die Bestimmungen von EN 1992-4.

Anhang C

Leistungen

C.4 Kombinierte Kräfte (von HCW bis zum Holzbauteil)

Bei kombinierten Quer- und Zugkräften, die von HCW und HCW-S auf das Holzbauteil übertragen werden, ist der folgende Nachweis zu erbringen:



$$\left(\frac{F_{ax,90,Ed}}{F_{ax,90,Rd}}\right)^2 + \left(\frac{F_{v,0,Ed}}{F_{v,0,Rd}}\right)^2 + \left(\frac{F_{v,90,Ed}}{F_{v,90,Rd}}\right)^2 \leq 1$$

wobei:

$$F_{ax,90,Rd} = \frac{k_{mod} \cdot F_{ax,90,Rk}}{\gamma_M}$$

$F_{ax,90,Rk}$... siehe Tabelle C.1 bis C.3, charakteristische Tragfähigkeit auf Herausziehen

k_{mod} und γ_M ... siehe EN1995-1-1

Hinweis: $F_{ax,90,Rk}$ gilt nicht für HCW-S.

$$F_{v,0,Rd} = \frac{k_{mod} \cdot F_{v,0,Rk}}{\gamma_M}$$

$F_{v,0,Rk}$... siehe Tabelle C.1 bis C.3

k_{mod} und γ_M ... siehe EN1995-1-1

$$F_{v,90,Rd} = \frac{k_{mod} \cdot F_{v,90,Rk}}{\gamma_M}$$

$F_{v,90,Rk}$... siehe Tabelle C.1 bis C.3

k_{mod} und γ_M ... siehe EN1995-1-1

C.5 Seismisches Verhalten und Duktilitätsklassen der Verbinder

C.5.1 Duktilitätsklassen

Abhängig von ihrem duktilen Verhalten und ihrem Energiedissipationsvermögen unter seismischen Einwirkungen sind Holzbauten einer Duktilitätsklasse (DC) gemäß EN 1998 zuzuordnen. Für die Verwendung des HCW- und HCW L-Verbinders für eine Erdbebenbemessung sollte eine Klassifizierung gemäß Tabelle C.4.1 angenommen werden.

Tabelle C.4.1: Duktilitätsklassen

HCW Typ	Art der Verbindungsmittel	Gewindestange	Richtung der Belastung	Bemessungskonzept und Duktilitätsklassen gemäß EN 1998-1
HCW L	Vollständig ausgenagelt (25 Nägel)	M12 ≤ 8,8	$F_{ax,0}$	DCL
	Teilweise genagelt (15 Nägel)			DCM
HCW	-	M12 ≤ 8,8	$F_{ax,90}$	DCL
			$F_{v,0}$	DCM