

Schémas d'application pour la brique coupe-feu CFS-BL



Applications de câbles unitaires et bottes de câbles

- Application en cloison épaisseur 100 mm (dimensions maximum de l'ouverture 1000 x 1000) CAB-FW-BD-0009/12/15
- Application en cloison épaisseur 130 mm (dimensions maximum de l'ouverture 1000 x 1000) CAB-FW-BD-0029/32/35
- Application en voile rigide épaisseur 100 mm (dimensions maximum de l'ouverture 1000 x 1000) CAB-RW-BD-0019/22/25
- Application en voile rigide épaisseur 130 mm (dimensions maximum de l'ouverture 1000 x 1000) CAB-RW-BD-0038/41/44
- Application en dalle rigide épaisseur 150 mm (dimensions maximum de l'ouverture 1000 x 700) CAB-RF-BD-0047/50/53

*) Tous les schémas sont également disponibles sur demande en format DWG pour faciliter l'insertion sur des plans.



CONTENTS

Single and cable bundles in a flexible wall

ID

CAB-FW-BD-0009

FIRESTOP BLOCK

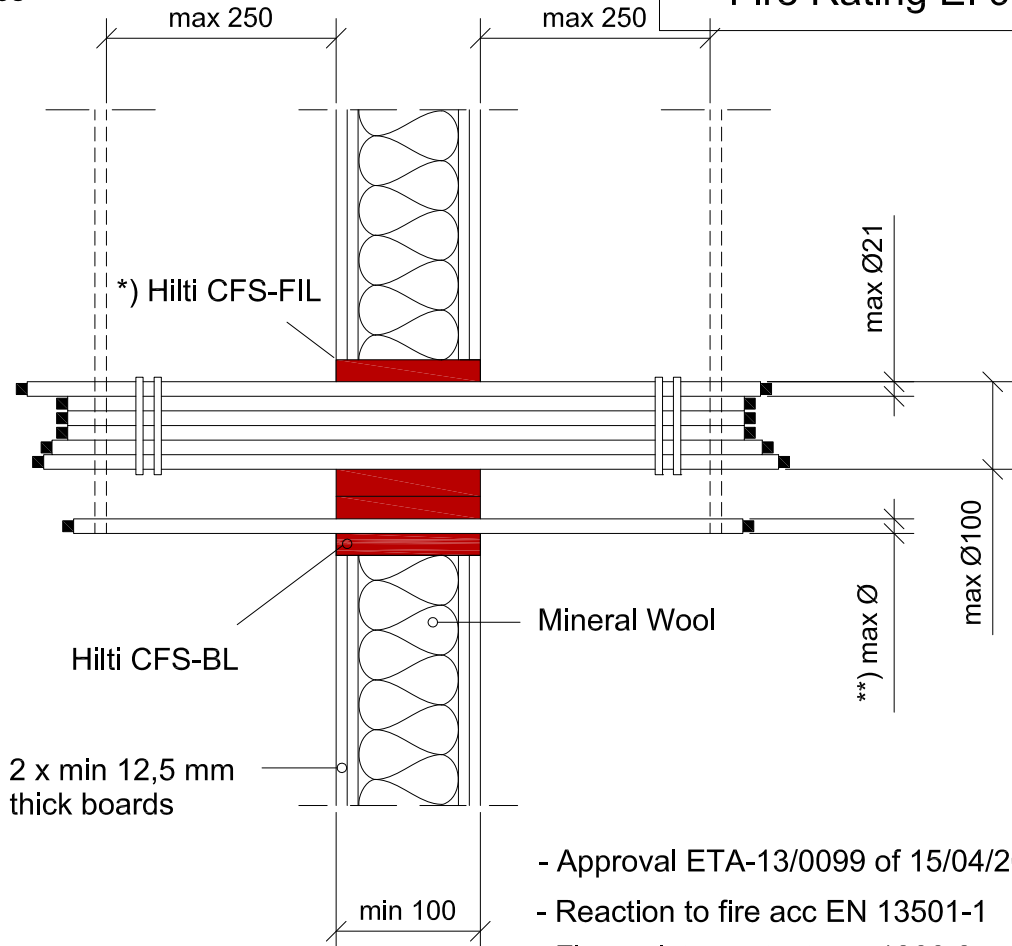
0009_01

REV 00

No scale

All units are in millimetres

Fire Rating EI 90



- Approval ETA-13/0099 of 15/04/2013
- Reaction to fire acc EN 13501-1
- Fire resistance test acc 1366-3
- Installation according to Hilti instructions

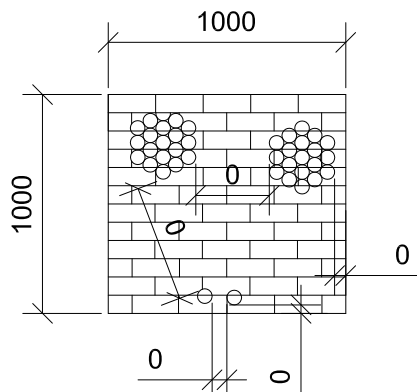
*) Annular gap fill material

Gaps between services and Hilti Firestop Blocks are filled with Hilti Firestop Filler CFS-FIL, depth 20 mm

Sound Insulation for flexible wall

$D_{n,w} = 54 \text{ dB}$
 $R_w = 51 \text{ dB}$

Max. opening (1000x1000) and minimum distance



**) Ø cables

	Filler	Filler+2putty a)
Ø max single sheated cable	80	80
Ø max single non- sheated cable	---	24
Ø max cable bundle	100	100
Ø max for a cable in a cable bundle	21	21

a) Two layers of CFS-P BA are wrapped around the services or group of services.



CONTENTS

Single and cable bundles in a flexible wall

ID

CAB-FW-BD-0012

FIRESTOP BLOCK

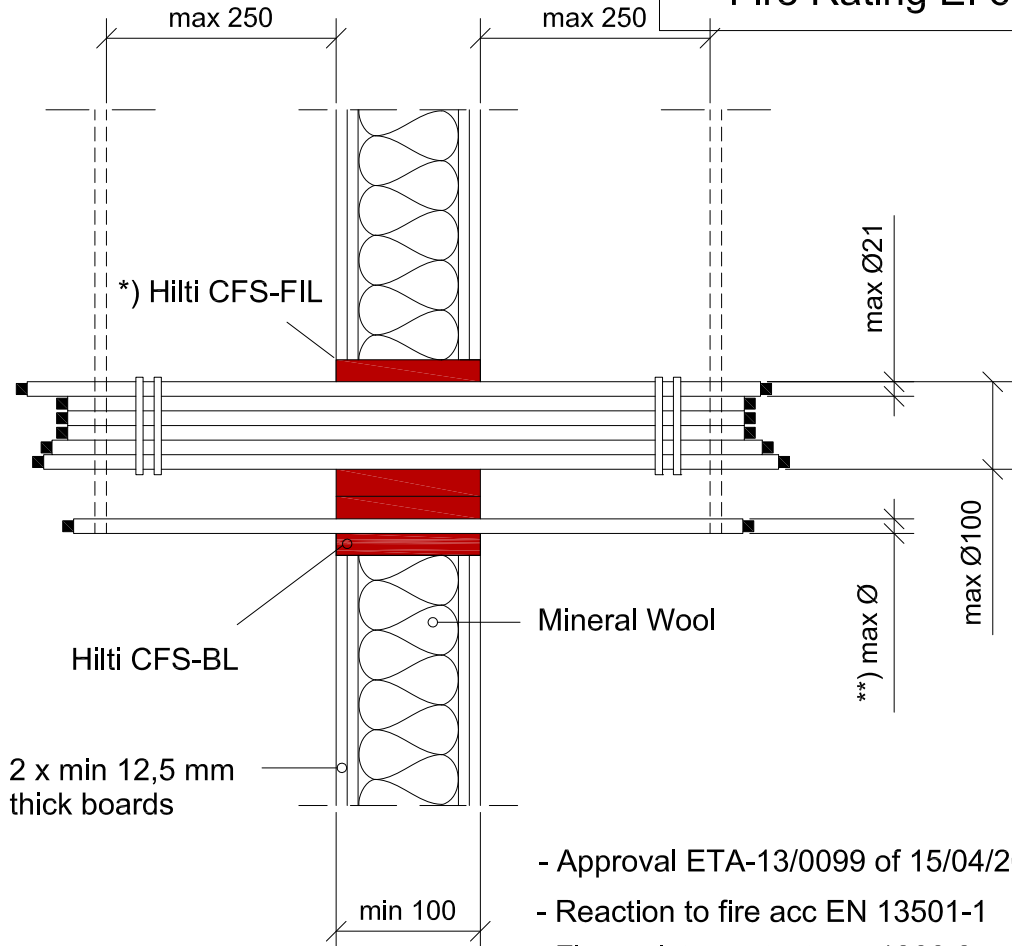
0012_01

REV 00

No scale

All units are in millimetres

Fire Rating EI 60



- Approval ETA-13/0099 of 15/04/2013
- Reaction to fire acc EN 13501-1
- Fire resistance test acc 1366-3
- Installation according to Hilti instructions

*) Annular gap fill material

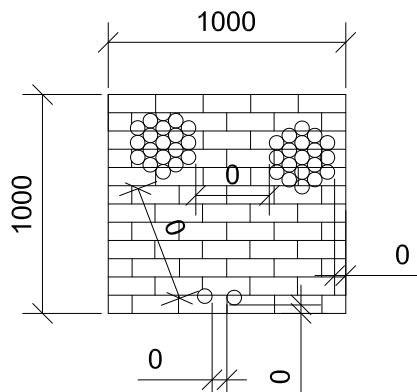
Gaps between services and Hilti Firestop Blocks are filled with Hilti Firestop Filler CFS-FIL, depth 20 mm

Sound Insulation for flexible wall

$D_{n,w} = 54 \text{ dB}$

$R_w = 51 \text{ dB}$

Max. opening (1000x1000) and minimum distance



**) Ø cables

	Filler	Filler+2putty a)
Ø max single sheated cable	80	80
Ø max single non- sheated cable	24	24
Ø max cable bundle	100	100
Ø max for a cable in a cable bundle	21	21

a) Two layers of CFS-P BA are wrapped around the services or group of services.



CONTENTS

Single and cable bundles in a flexible wall

ID

CAB-FW-BD-0015

FIRESTOP BLOCK

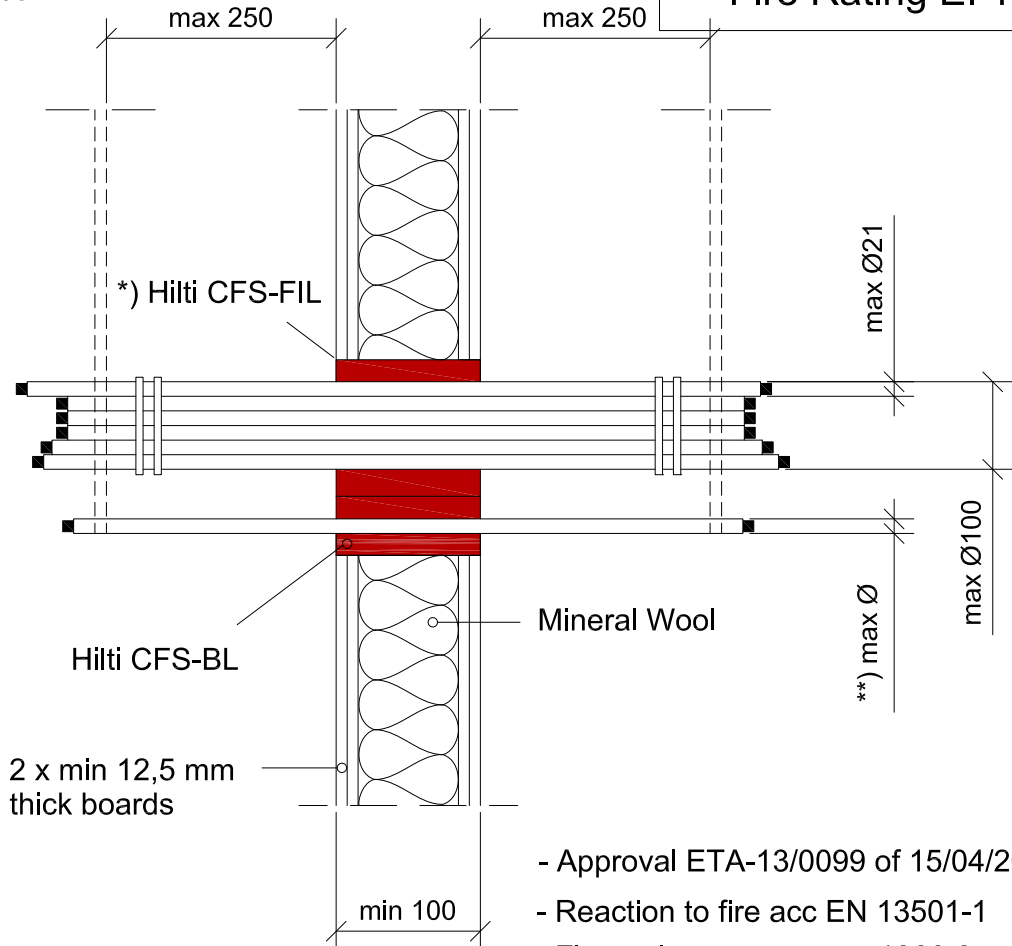
0015_01

REV 00

No scale

All units are in millimetres

Fire Rating EI 120



- Approval ETA-13/0099 of 15/04/2013
- Reaction to fire acc EN 13501-1
- Fire resistance test acc 1366-3
- Installation according to Hilti instructions

*) Annular gap fill material

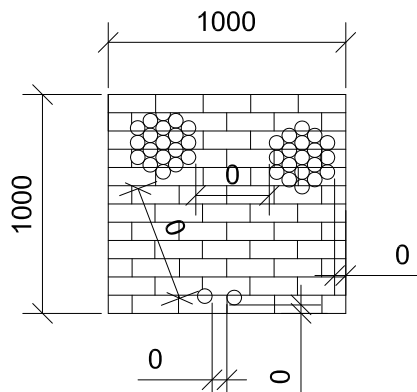
Gaps between services and Hilti Firestop Blocks are filled with Hilti Firestop Filler CFS-FIL, depth 20 mm

Sound Insulation for flexible wall

$D_{n,w} = 54 \text{ dB}$

$R_w = 51 \text{ dB}$

Max. opening (1000x1000) and minimum distance



**) \varnothing cables

	Filler	Filler+2putty a)
\varnothing max single sheated cable	---	80
\varnothing max single non- sheated cable	---	24
\varnothing max cable bundle	---	100
\varnothing max for a cable in a cable bundle	---	21

a) Two layers of CFS-P BA are wrapped around the services or group of services.



CONTENTS

Single and cable bundles in a rigid wall

ID

CAB-RW-BD-0019

FIRESTOP BLOCK

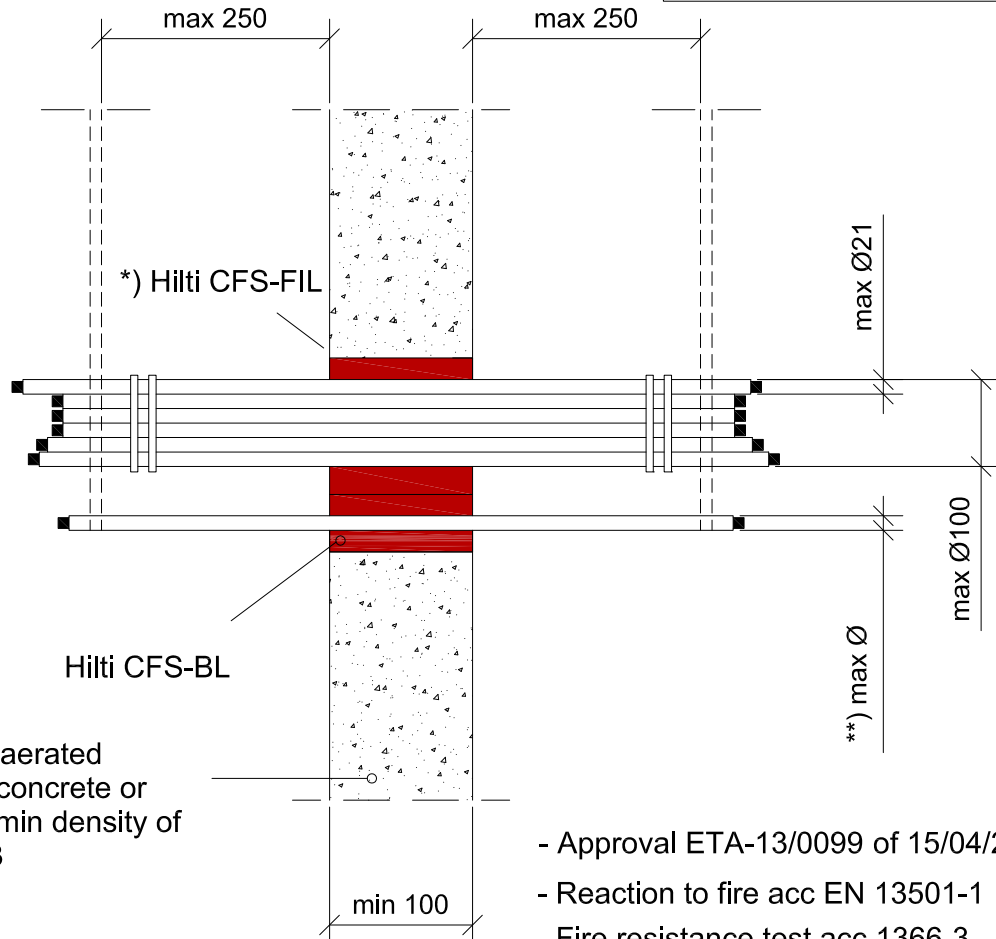
0019_01

REV 00

No scale

All units are in millimetres

Fire Rating EI 90



Comprise aerated concrete, concrete or masonry. min density of 600 kg/m³

- Approval ETA-13/0099 of 15/04/2013
- Reaction to fire acc EN 13501-1
- Fire resistance test acc 1366-3
- Installation according to Hilti instructions

*) Annular gap fill material

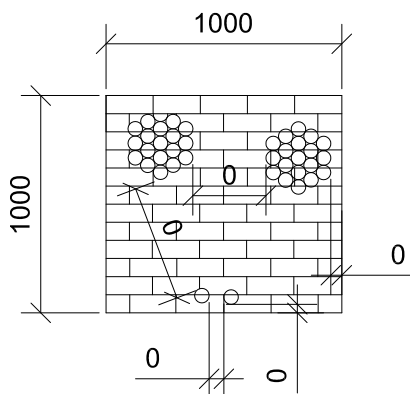
Gaps between services and Hilti Firestop Blocks are filled with Hilti Firestop Filler CFS-FIL, depth 20 mm

Sound Insulation for rigid wall

$$D_{n,w} = 54 \text{ dB}$$

$$R_w = 51 \text{ dB}$$

Max. opening (1000x1000) and minimum distance



**) Ø cables

	Filler	Filler+2putty a)
Ø max single sheated cable	80	80
Ø max single non- sheated cable	---	24
Ø max cable bundle	100	100
Ø max for a cable in a cable bundle	21	21

a) Two layers of CFS-P BA are wrapped around the services or group of services.



CONTENTS

Single and cable bundles in a rigid wall

ID

CAB-RW-BD-0022

FIRESTOP BLOCK

0022_01

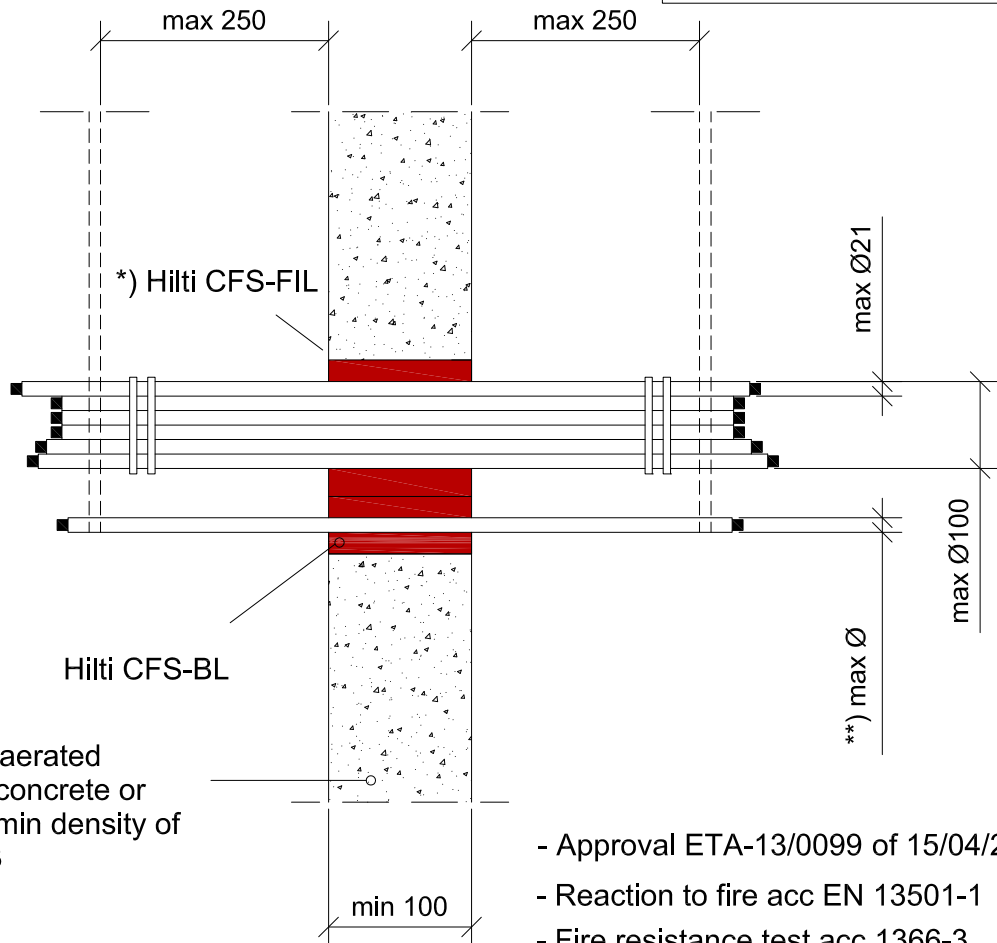
REV

00

No scale

All units are in millimetres

Fire Rating EI 60



Comprise aerated concrete, concrete or masonry. min density of 600 kg/m³

- Approval ETA-13/0099 of 15/04/2013
- Reaction to fire acc EN 13501-1
- Fire resistance test acc 1366-3
- Installation according to Hilti instructions

*) Annular gap fill material

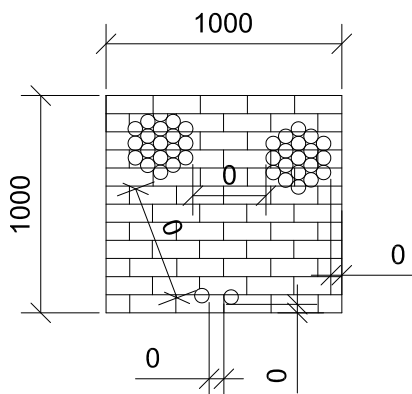
Gaps between services and Hilti Firestop Blocks are filled with Hilti Firestop Filler CFS-FIL, depth 20 mm

Sound Insulation for rigid wall

$D_{n,w} = 54 \text{ dB}$

$R_w = 51 \text{ dB}$

Max. opening (1000x1000) and minimum distance



**) Ø cables

	Filler	Filler+2putty a)
Ø max single sheated cable	80	80
Ø max single non- sheated cable	24	24
Ø max cable bundle	100	100
Ø max for a cable in a cable bundle	21	21

a) Two layers of CFS-P BA are wrapped around the services or group of services.



CONTENTS

Single and cable bundles in a rigid wall

ID

CAB-RW-BD-0025

FIRESTOP BLOCK

0025_01

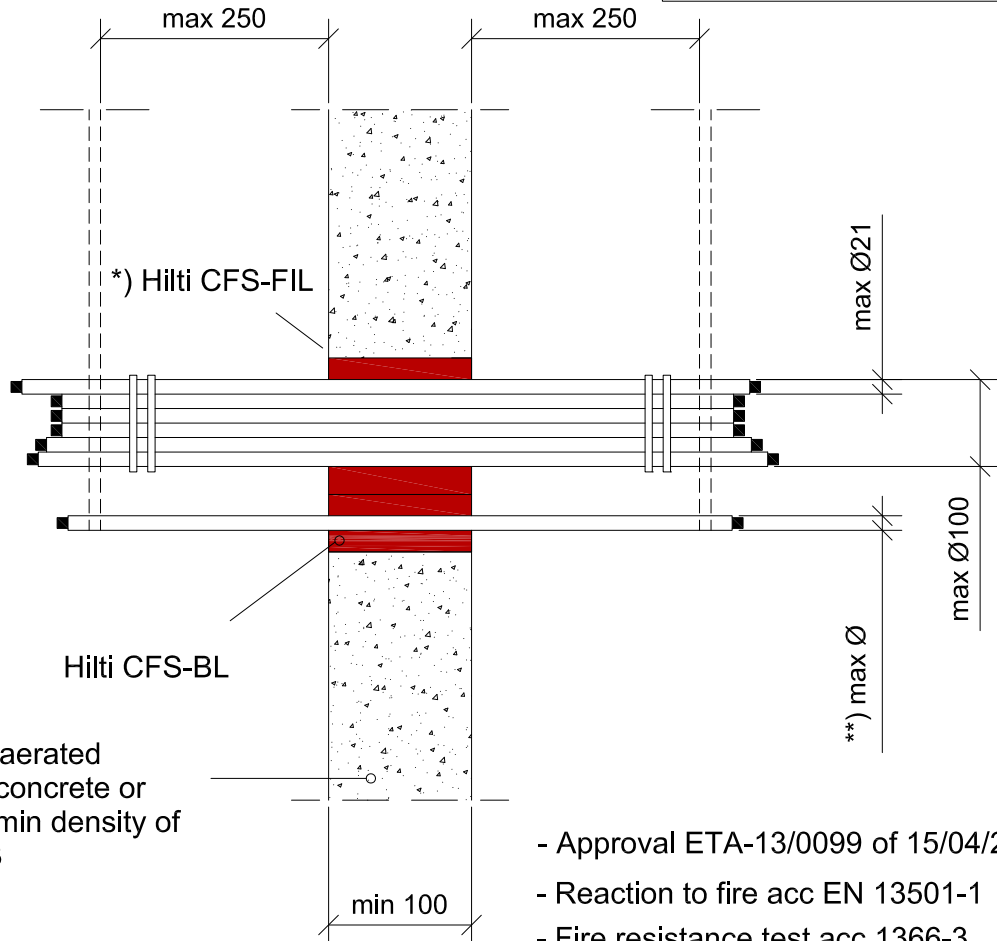
REV

00

No scale

All units are in millimetres

Fire Rating EI 120



Comprise aerated concrete, concrete or masonry. min density of 600 kg/m³

- Approval ETA-13/0099 of 15/04/2013
- Reaction to fire acc EN 13501-1
- Fire resistance test acc 1366-3
- Installation according to Hilti instructions

*) Annular gap fill material

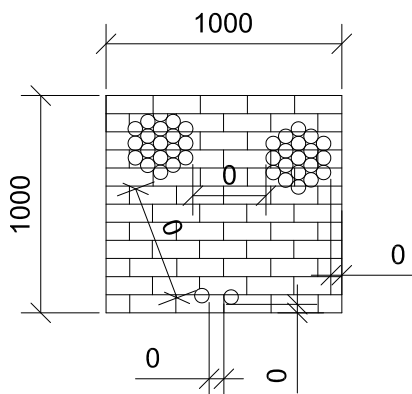
Gaps between services and Hilti Firestop Blocks are filled with Hilti Firestop Filler CFS-FIL, depth 20 mm

Sound Insulation for rigid wall

$D_{n,w} = 54 \text{ dB}$

$R_w = 51 \text{ dB}$

Max. opening (1000x1000) and minimum distance



**) Ø cables

	Filler	Filler+2putty a)
Ø max single sheated cable	---	80
Ø max single non- sheated cable	---	24
Ø max cable bundle	---	100
Ø max for a cable in a cable bundle	---	21

a) Two layers of CFS-P BA are wrapped around the services or group of services.



CONTENTS

Single and cable bundles in a flexible wall

ID

CAB-FW-BD-0029

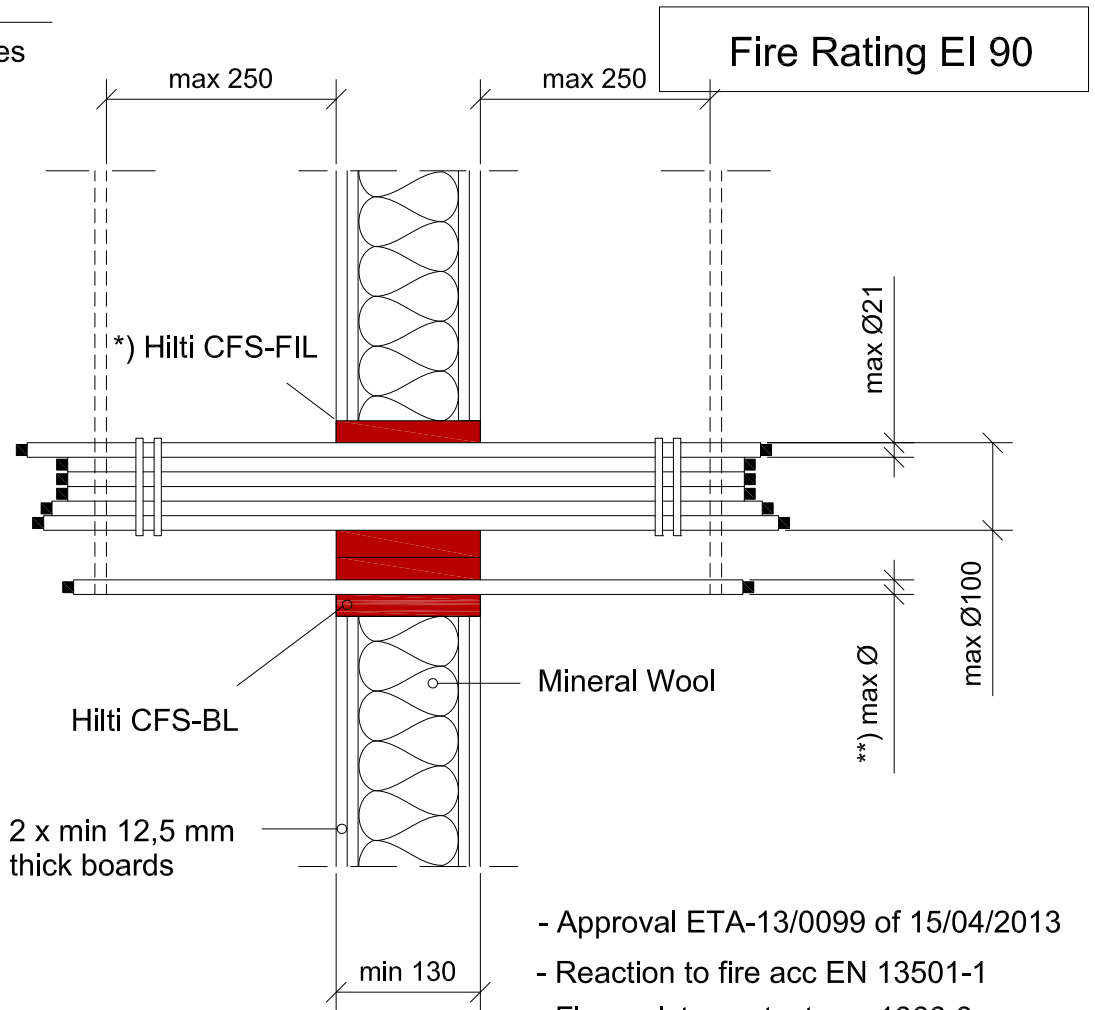
FIRESTOP BLOCK

0029_01

REV 00

No scale

All units are in millimetres



*) Annular gap fill material

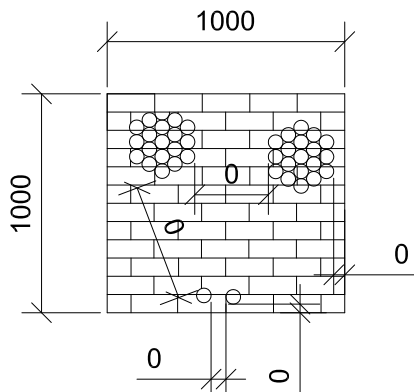
Gaps between services and Hilti Firestop Blocks are filled with Hilti Firestop Filler CFS-FIL, depth 20 mm

- Approval ETA-13/0099 of 15/04/2013
- Reaction to fire acc EN 13501-1
- Fire resistance test acc 1366-3
- Installation according to Hilti instructions

Sound Insulation for flexible wall

$D_{n,w} = 54 \text{ dB}$
 $R_w = 51 \text{ dB}$

Max. opening (1000x1000) and minimum distance



**) Ø cables

	Filler	Filler+1putty a)	Filler+2putty b)
Ø max single sheated cable	80	80	80
Ø max single non- sheated cable	---	24	24
Ø max cable bundle	100	100	100
Ø max for a cable in a cable bundle	21	21	21

- a) One layer of CFS-P BA are wrapped around the services or group of services.
b) Two layers of CFS-P BA are wrapped around the services or group of services.



CONTENTS

Single and cable bundles in a flexible wall

ID

CAB-FW-BD-0032

FIRESTOP BLOCK

0032_01

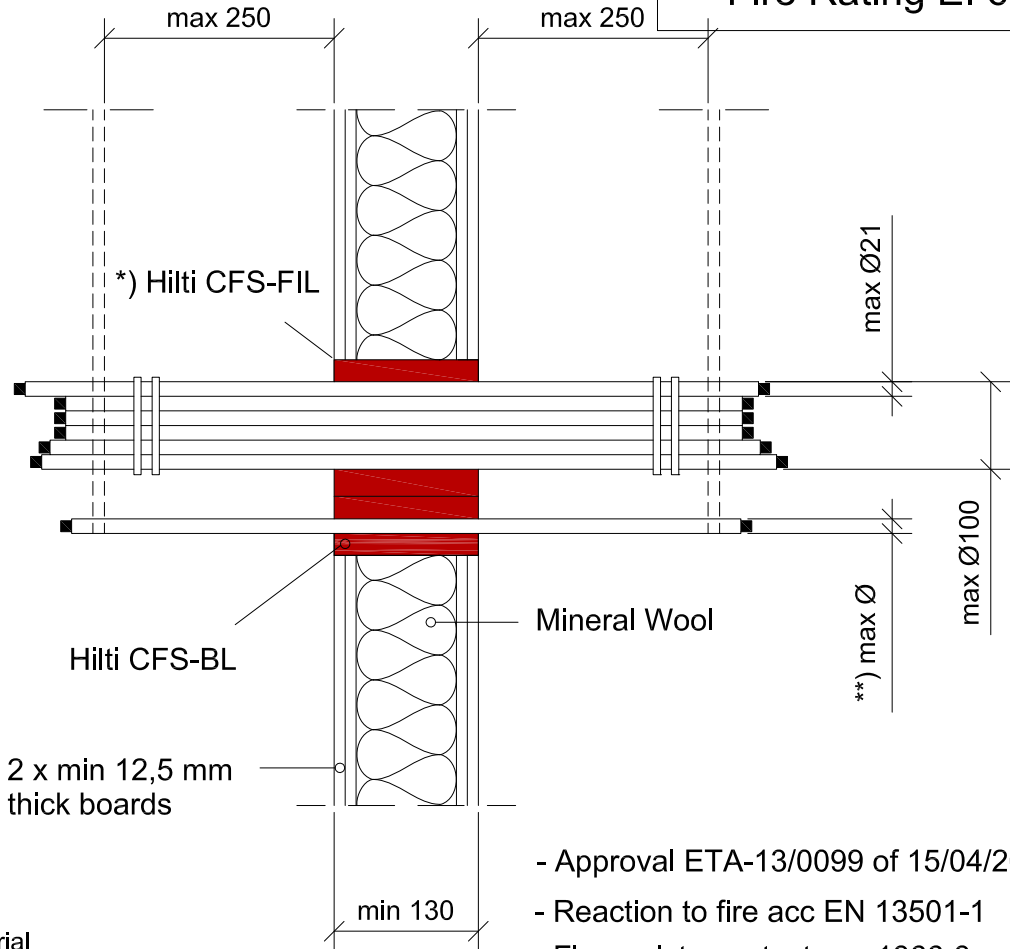
REV

00

No scale

All units are in millimetres

Fire Rating EI 60



- Approval ETA-13/0099 of 15/04/2013
- Reaction to fire acc EN 13501-1
- Fire resistance test acc 1366-3
- Installation according to Hilti instructions

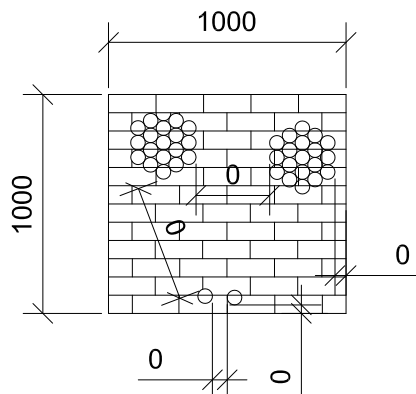
*) Annular gap fill material

Gaps between services and Hilti Firestop Blocks are filled with Hilti Firestop Filler CFS-FIL, depth 20 mm

Sound Insulation for flexible wall

$D_{n,w} = 54 \text{ dB}$
 $R_w = 51 \text{ dB}$

Max. opening (1000x1000) and minimum distance



**) Ø cables

	Filler	Filler+1putty a)	Filler+2putty b)
Ø max single sheated cable	80	80	80
Ø max single non- sheated cable	24	24	24
Ø max cable bundle	100	100	100
Ø max for a cable in a cable bundle	21	21	21

- a) One layer of CFS-P BA are wrapped around the services or group of services.
- b) Two layers of CFS-P BA are wrapped around the services or group of services.



CONTENTS

Single and cable bundles in a flexible wall

ID

CAB-FW-BD-0035

FIRESTOP BLOCK

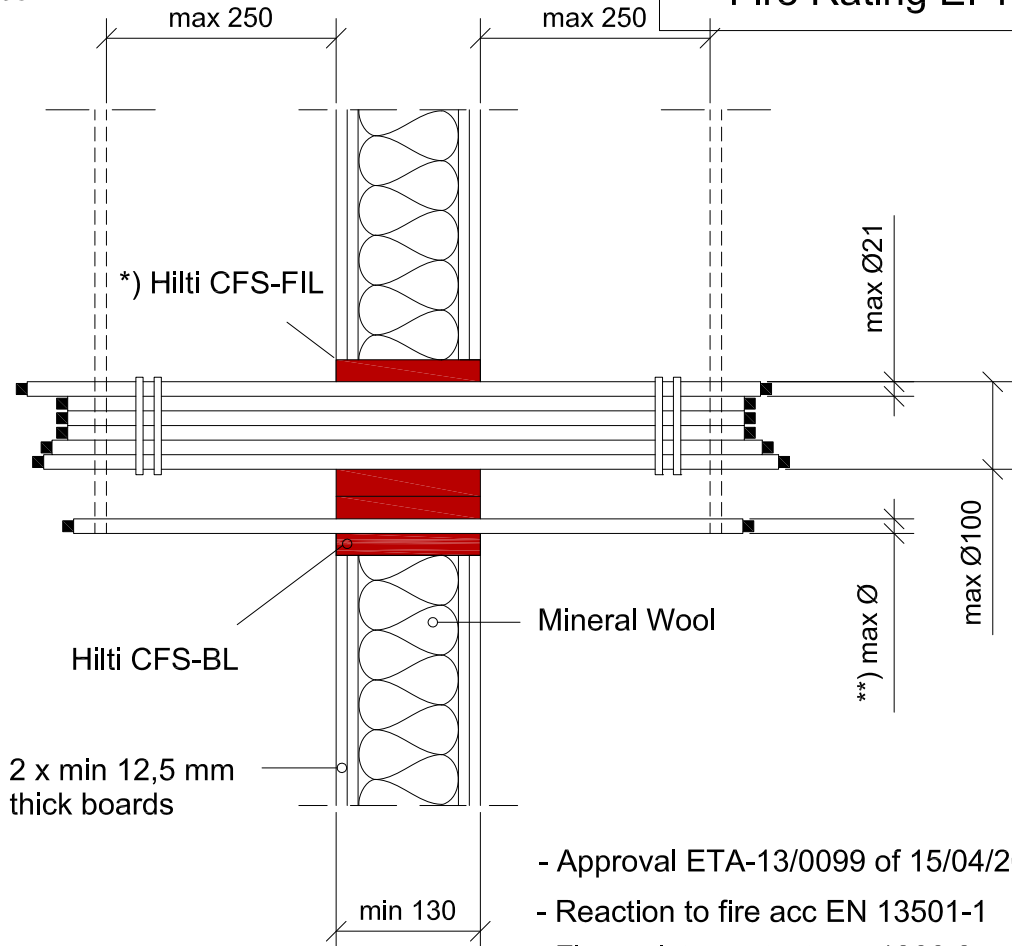
0035_01

REV 00

No scale

All units are in millimetres

Fire Rating EI 120



- Approval ETA-13/0099 of 15/04/2013
- Reaction to fire acc EN 13501-1
- Fire resistance test acc 1366-3
- Installation according to Hilti instructions

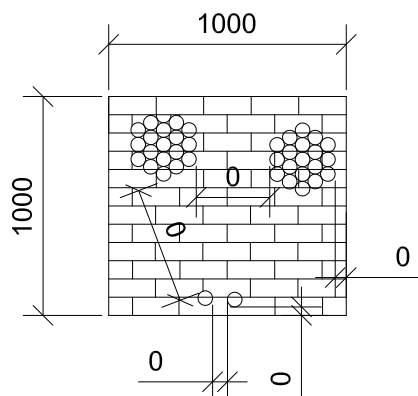
*) Annular gap fill material

Gaps between services and Hilti Firestop Blocks are filled with Hilti Firestop Filler CFS-FIL, depth 20 mm

Sound Insulation for flexible wall

$D_{n,w} = 54 \text{ dB}$
 $R_w = 51 \text{ dB}$

Max. opening (1000x1000) and minimum distance



**) Ø cables

**) Ø cables	Filler	Filler+1putty a)	Filler+2putty b)
Ø max single sheated cable	---	50	80
Ø max single non- sheated cable	---	---	24
Ø max cable bundle	100	100	100
Ø max for a cable in a cable bundle	21	21	21

- a) One layer of CFS-P BA are wrapped around the services or group of services.
- b) Two layers of CFS-P BA are wrapped around the services or group of services.



CONTENTS

Single and cable bundles in a rigid wall

ID

CAB-RW-BD-0038

FIRESTOP BLOCK

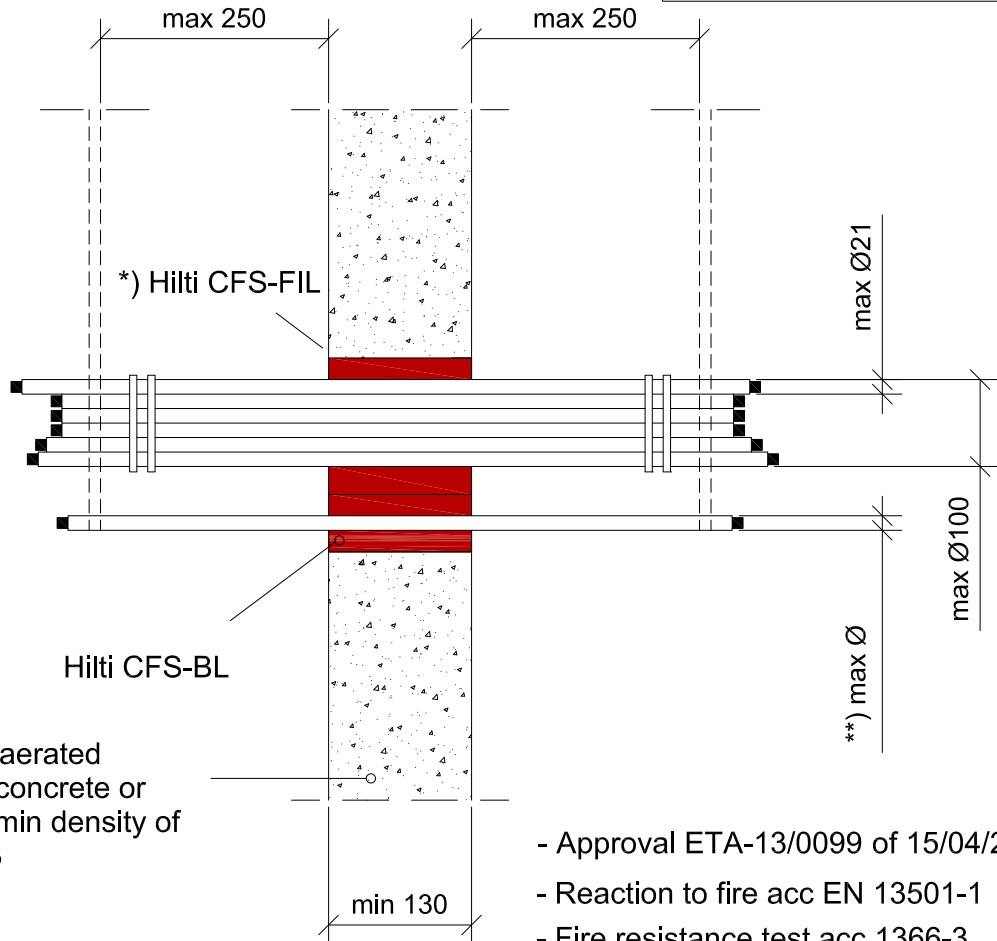
0038_01

REV 00

No scale

All units are in millimetres

Fire Rating EI 90



Comprise aerated concrete, concrete or masonry. min density of 600 kg/m³

- Approval ETA-13/0099 of 15/04/2013
- Reaction to fire acc EN 13501-1
- Fire resistance test acc 1366-3
- Installation according to Hilti instructions

*) Annular gap fill material

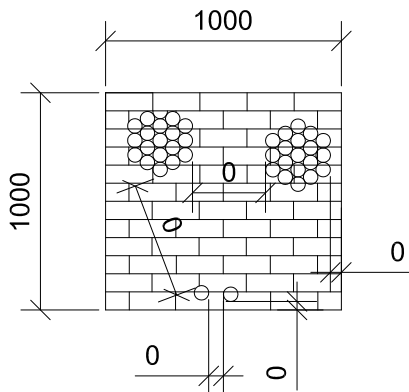
Gaps between services and Hilti Firestop Blocks are filled with Hilti Firestop Filler CFS-FIL, depth 20 mm

Sound Insulation for rigid wall

$D_{n,w} = 54 \text{ dB}$

$R_w = 51 \text{ dB}$

Max. opening (1000x1000) and minimum distance



**) Ø cables

	Filler	Filler+1putty a)	Filler+2putty b)
Ø max single sheated cable	80	80	80
Ø max single non-sheated cable	---	24	24
Ø max cable bundle	100	100	100
Ø max for a cable in a cable bundle	21	21	21

- a) One layer of CFS-P BA are wrapped around the services or group of services.
- b) Two layers of CFS-P BA are wrapped around the services or group of services.



CONTENTS

Single and cable bundles in a rigid wall

ID

CAB-RW-BD-0041

FIRESTOP BLOCK

0041_01

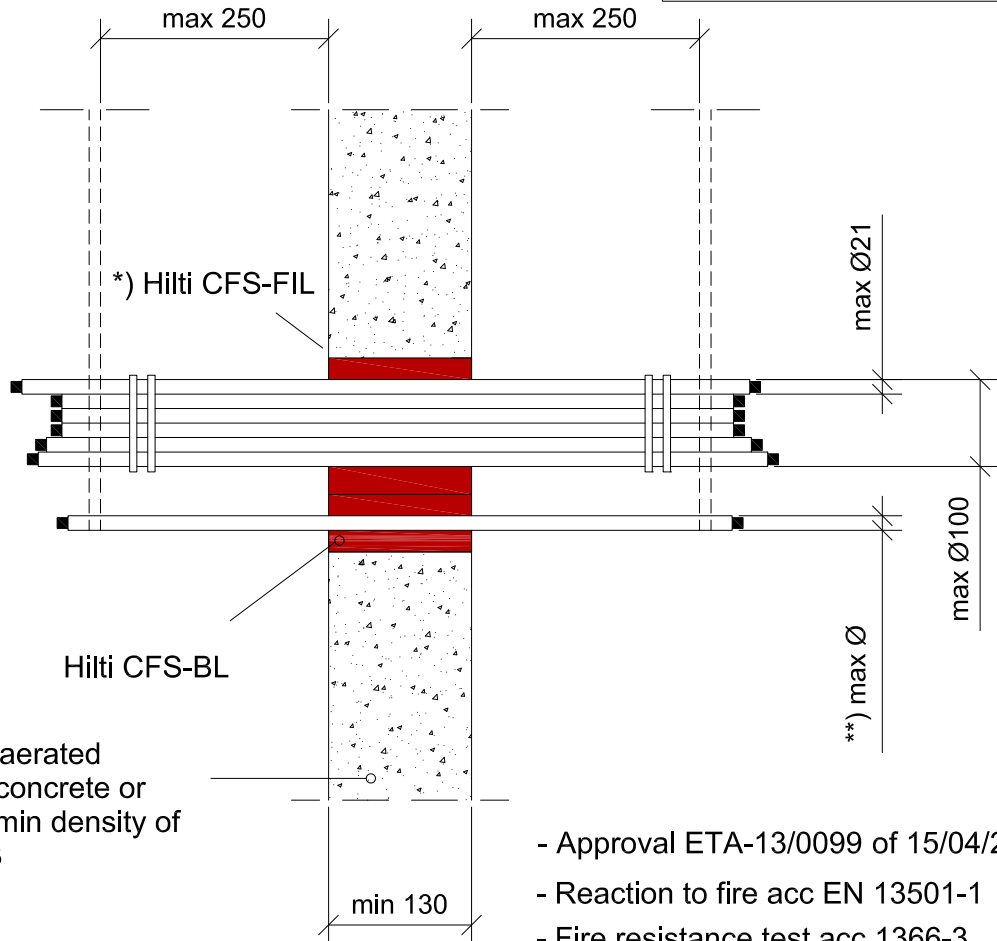
REV

00

No scale

All units are in millimetres

Fire Rating EI 60



Comprise aerated concrete, concrete or masonry. min density of 600 kg/m³

- Approval ETA-13/0099 of 15/04/2013
- Reaction to fire acc EN 13501-1
- Fire resistance test acc 1366-3
- Installation according to Hilti instructions

*) Annular gap fill material

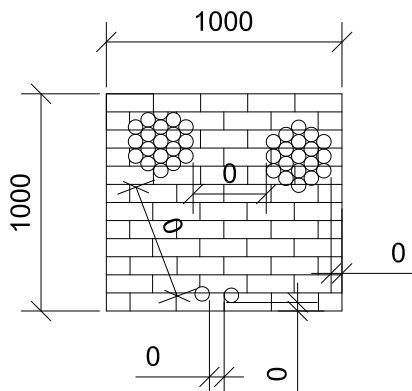
Gaps between services and Hilti Firestop Blocks are filled with Hilti Firestop Filler CFS-FIL, depth 20 mm

Sound Insulation for rigid wall

$D_{n,w} = 54 \text{ dB}$

$R_w = 51 \text{ dB}$

Max. opening (1000x1000) and minimum distance



**) Ø cables

	Filler	Filler+1putty a)	Filler+2putty b)
Ø max single sheated cable	80	80	80
Ø max single non- sheated cable	24	24	24
Ø max cable bundle	100	100	100
Ø max for a cable in a cable bundle	21	21	21

- One layer of CFS-P BA are wrapped around the services or group of services.
- Two layers of CFS-P BA are wrapped around the services or group of services.



CONTENTS

Single and cable bundles in a rigid wall

ID

CAB-RW-BD-0044

FIRESTOP BLOCK

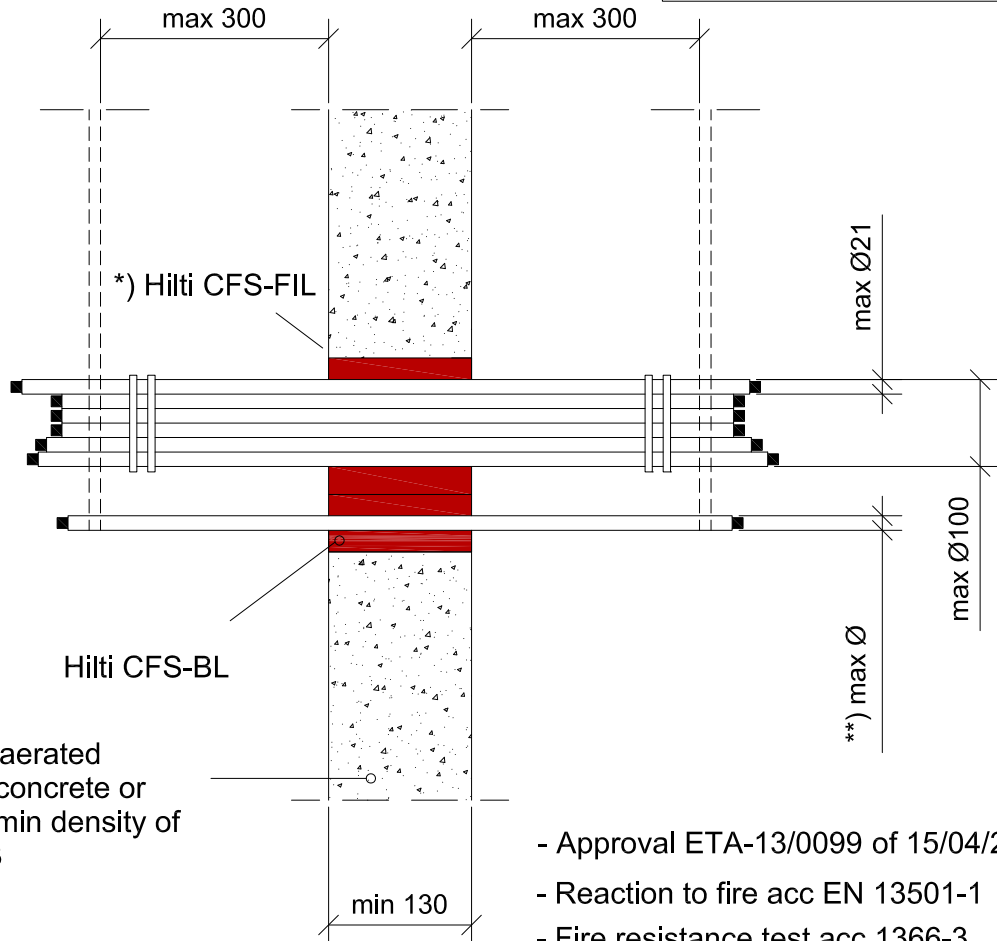
0044_01

REV 00

No scale

All units are in millimetres

Fire Rating EI 120



Comprise aerated concrete, concrete or masonry. min density of 600 kg/m³

- Approval ETA-13/0099 of 15/04/2013
- Reaction to fire acc EN 13501-1
- Fire resistance test acc 1366-3
- Installation according to Hilti instructions

*) Annular gap fill material

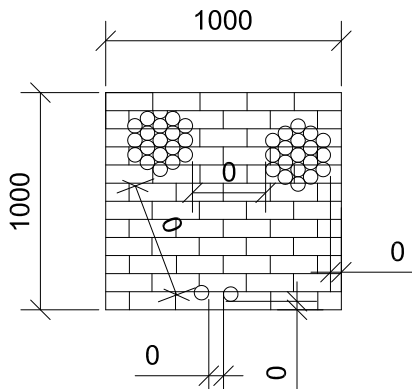
Gaps between services and Hilti Firestop Blocks are filled with Hilti Firestop Filler CFS-FIL, depth 20 mm

Sound Insulation for rigid wall

$$D_{n,w} = 54 \text{ dB}$$

$$R_w = 51 \text{ dB}$$

Max. opening (1000x1000) and minimum distance



**) Ø cables

	Filler	Filler+1putty a)	Filler+2putty b)
Ø max single sheated cable	---	50	80
Ø max single non- sheated cable	---	---	24
Ø max cable bundle	100	100	100
Ø max for a cable in a cable bundle	21	21	21

- a) One layer of CFS-P BA are wrapped around the services or group of services.
- b) Two layers of CFS-P BA are wrapped around the services or group of services.



CONTENTS

Single and cable bundles in a rigid floor

ID

CAB-RF-BD-0047

FIRESTOP BLOCK

0047_01

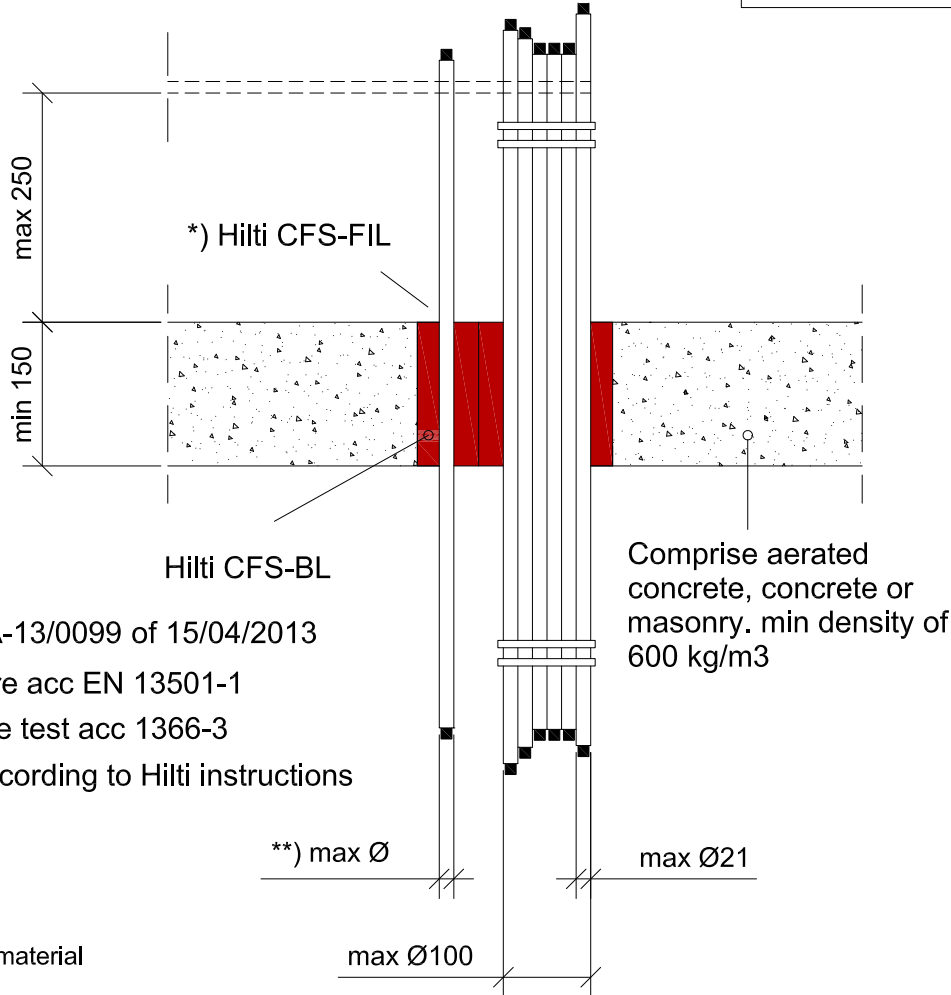
REV

00

No scale

All units are in millimetres

Fire Rating EI 90



- Approval ETA-13/0099 of 15/04/2013
- Reaction to fire acc EN 13501-1
- Fire resistance test acc 1366-3
- Installation according to Hilti instructions

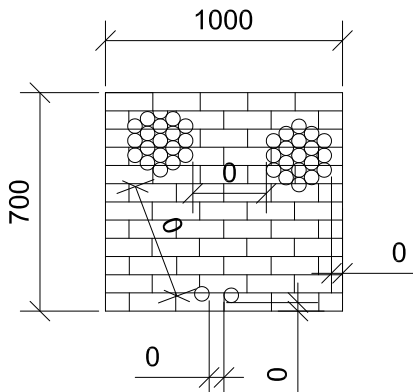
*) Annular gap fill material

Gaps between services and Hilti Firestop Blocks are filled with Hilti Firestop Filler CFS-FIL, depth 20 mm

Sound Insulation for rigid floor

$D_{n,w} = 54 \text{ dB}$
 $R_w = 51 \text{ dB}$

Max. opening (1000x700) or an area of 7000 cm². Minimum distance:



**) Ø cables

**) Ø cables	Filler	Filler+2putty a)
Ø max single sheated cable	80	80
Ø max single non- sheated cable	---	24
Ø max cable bundle	100	100
Ø max for a cable in a cable bundle	21	21

a) Two layers of CFS-P BA are wrapped around the services or group of services.



CONTENTS

Single and cable bundles in a rigid floor

ID

CAB-RF-BD-0050

FIRESTOP BLOCK

0050_01

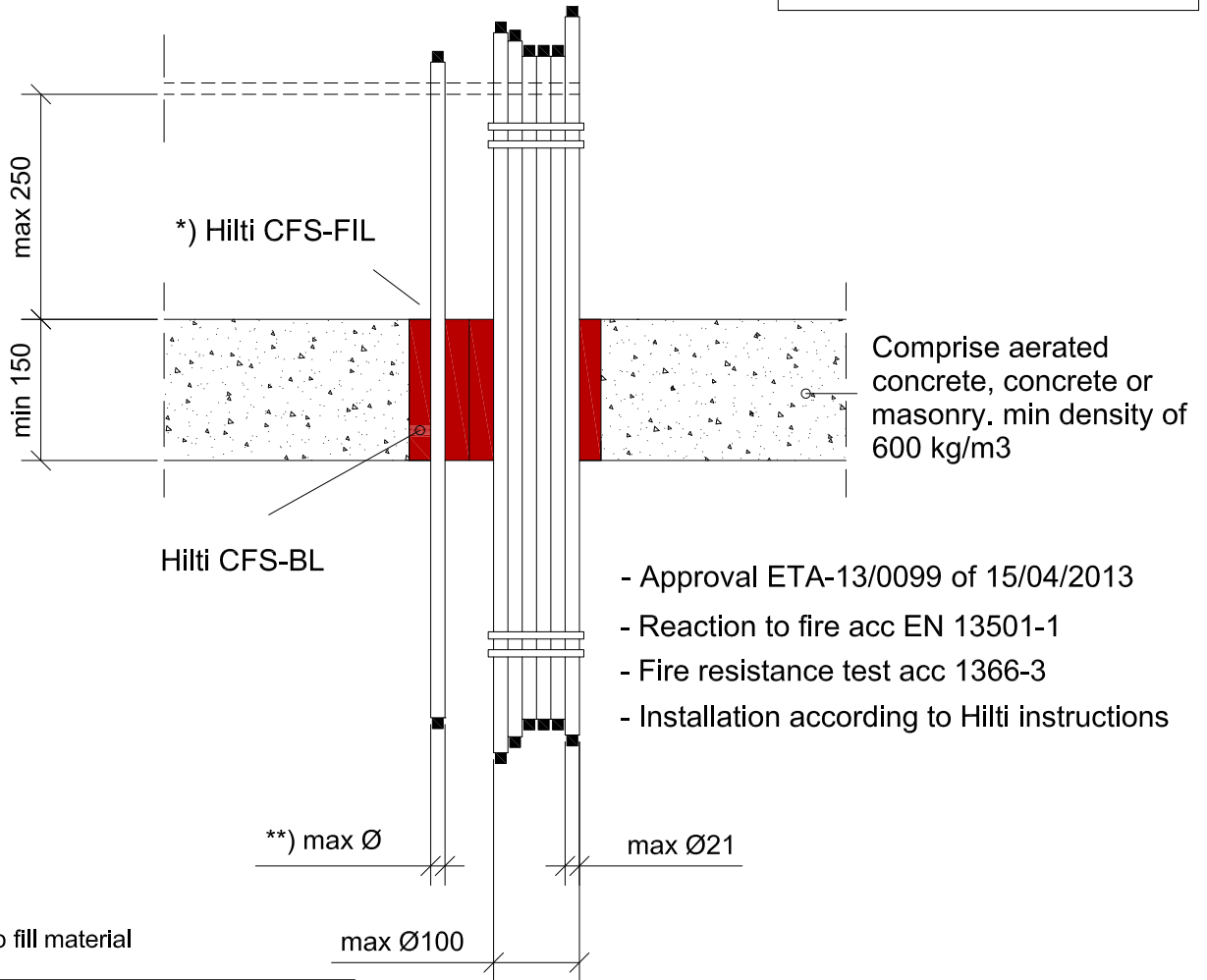
REV

00

No scale

All units are in millimetres

Fire Rating EI 60



Comprise aerated concrete, concrete or masonry. min density of 600 kg/m³

- Approval ETA-13/0099 of 15/04/2013
- Reaction to fire acc EN 13501-1
- Fire resistance test acc 1366-3
- Installation according to Hilti instructions

Sound Insulation for rigid floor

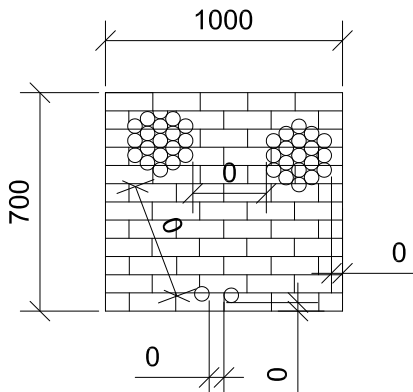
$D_{n,w} = 54 \text{ dB}$

$R_w = 51 \text{ dB}$

*) Annular gap fill material

Gaps between services and Hilti Firestop Blocks are filled with Hilti Firestop Filler CFS-FIL, depth 20 mm

Max. opening (1000x700) or an area of 7000 cm². Minimum distance:



**) Ø cables

Ø cables	Filler	Filler+2putty a)
Ø max single sheated cable	80	80
Ø max single non- sheated cable	24	24
Ø max cable bundle	100	100
Ø max for a cable in a cable bundle	21	21

a) Two layers of CFS-P BA are wrapped around the services or group of services.



CONTENTS

Single and cable bundles in a rigid floor

ID

CAB-RF-BD-0053

FIRESTOP BLOCK

0053_01

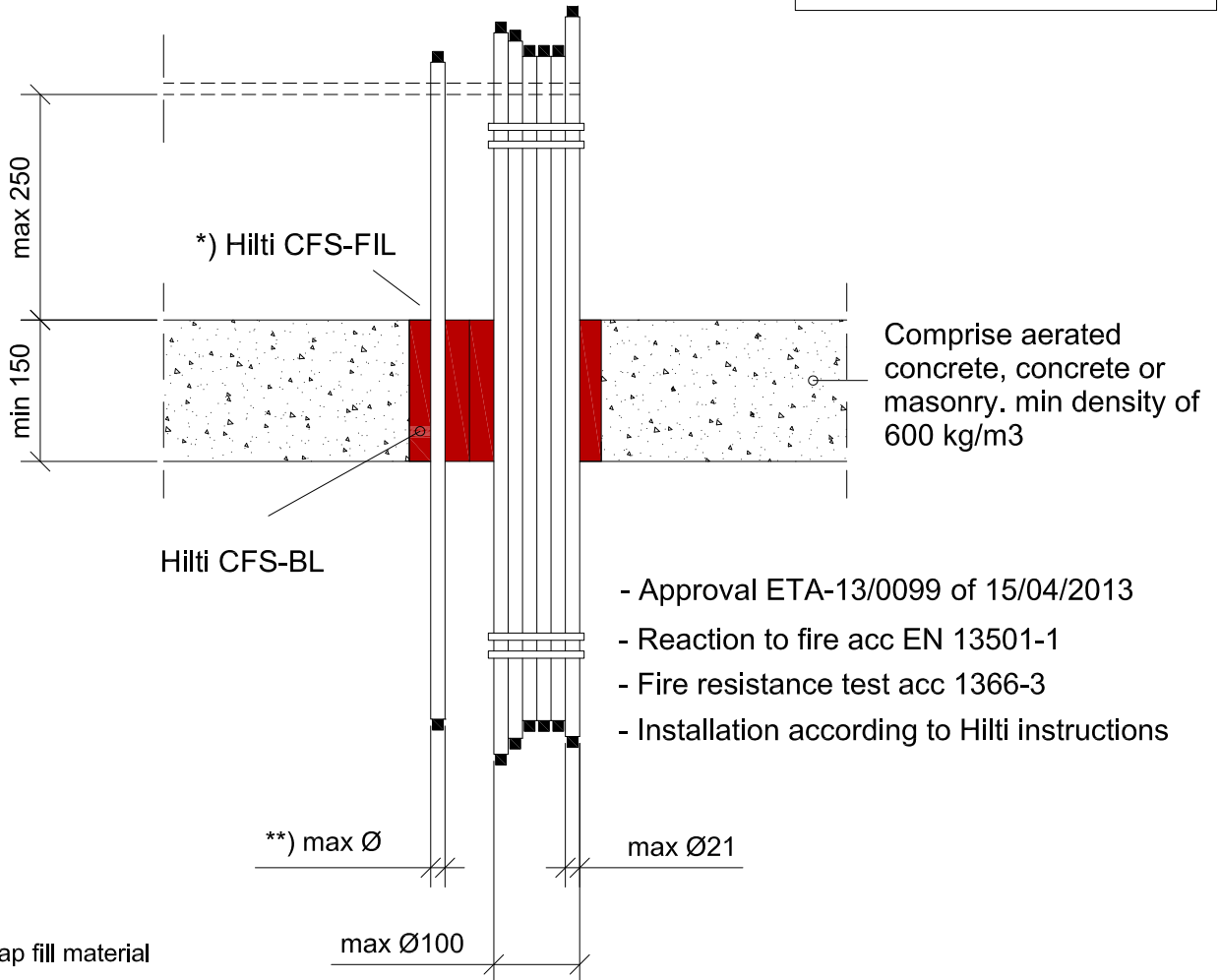
REV

00

No scale

All units are in millimetres

Fire Rating EI 120



*) Annular gap fill material

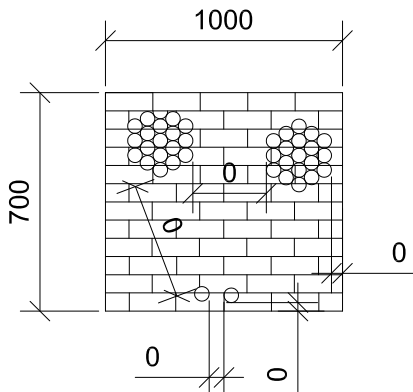
Gaps between services and Hilti Firestop Blocks are filled with Hilti Firestop Filler CFS-FIL, depth 20 mm

Sound Insulation for rigid floor

$D_{n,w} = 54 \text{ dB}$

$R_w = 51 \text{ dB}$

Max. opening (1000x700) or an area of 7000 cm². Minimum distance:



**) Ø cables

Ø cables	Filler	Filler+2putty a)
Ø max single sheated cable	---	80
Ø max single non- sheated cable	---	24
Ø max cable bundle	---	100
Ø max for a cable in a cable bundle	---	21

a) Two layers of CFS-P BA are wrapped around the services or group of services.