

Schémas d'application pour le panneau coupe-feu CFS-CT B



Applications de conduits

- Conduits plastiques en cloison épaisseur 100 mm
(dimensions maximum de l'ouverture 1200 x 1200) CAB-FW-CD-0118
- Conduits plastiques en voile rigide épaisseur 100 mm
(dimensions maximum de l'ouverture 1200 x 1200) CAB-RW-CD-0130
- Conduits en acier en cloison épaisseur 100 mm
(dimensions maximum de l'ouverture 1200 x 2000) CAB-FW-CD-0119
- Conduits en acier en voile rigide épaisseur 100 mm
(dimensions maximum de l'ouverture 1200 x 2000) CAB-RW-CD-0131
- Conduits plastique et acier en cloison épaisseur 100 mm
(dimensions maximum de l'ouverture 1200 x 1200) CAB-FW-CD-0120
- Conduits plastique et acier en voile rigide épaisseur 100 mm
(dimensions maximum de l'ouverture 1200 x 2000) CAB-FW-CD-0132
- Conduits plastique et acier en dalle rigide épaisseur 150 mm
(dimensions maximum de l'ouverture 1200 x 2000) CAB-FW-CD-0142
- Conduits plastique et acier en dalle rigide épaisseur 150 mm
(dimensions maximum de l'ouverture 1200 x 1200) CAB-FW-CD-0143

*) Tous les schémas sont également disponibles sur demande en format DWG pour faciliter l'insertion sur des plans.



CONTENTS

Plastic conduits in a flexible wall

ID

CAB-FW-CD-0118

FIRESTOP COATED BOARD

0118_01

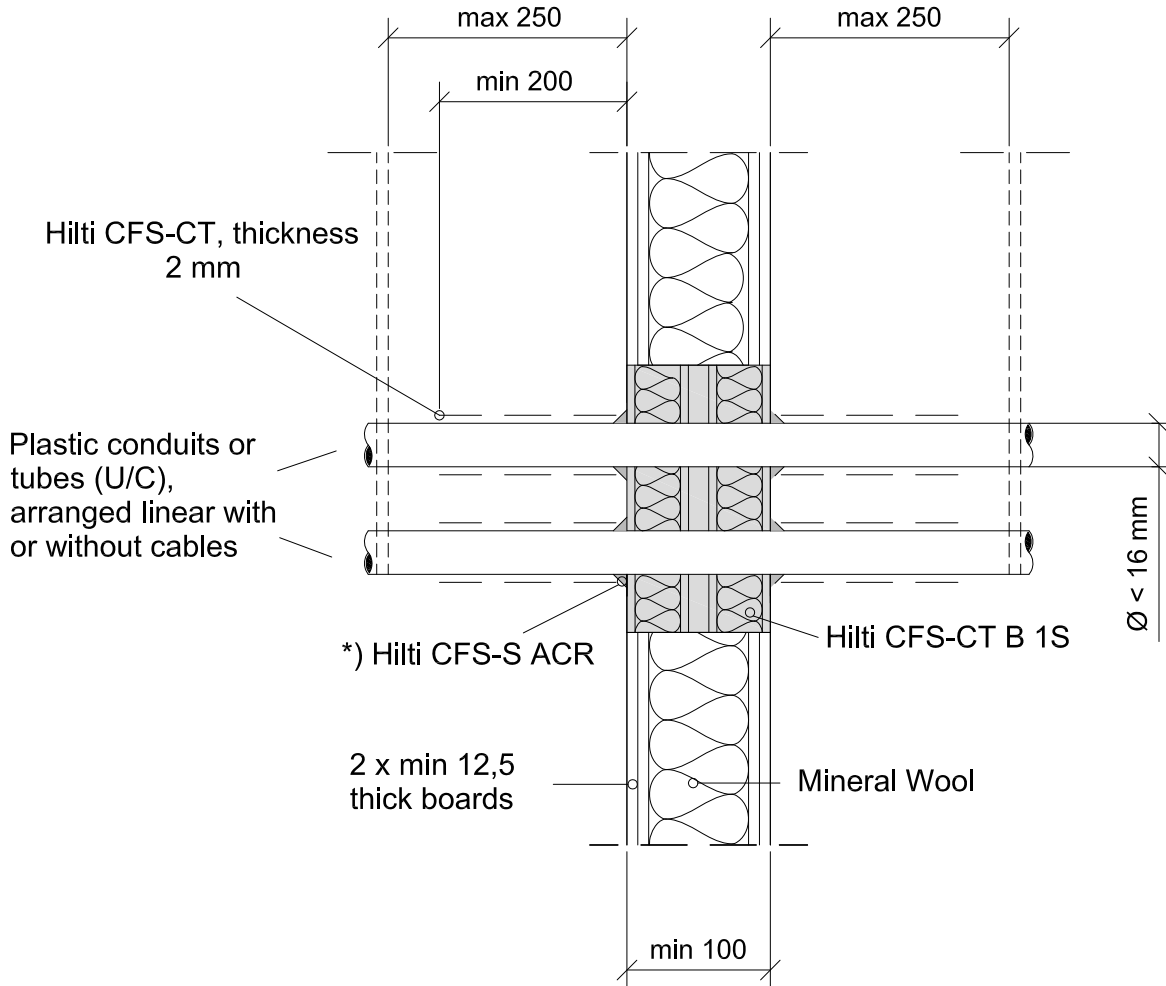
REV

00

No scale

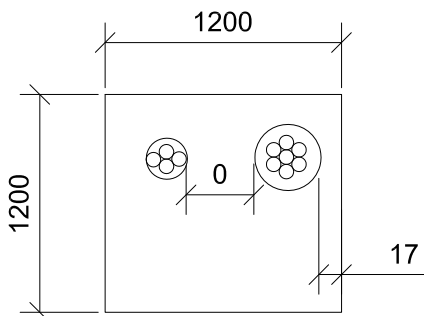
All units are in millimetres

Fire Rating EI 120



*) Annular gap fill material

Max. opening (1200x1200) and minimum distance



All cut edges of boards sealed with Hilti Firestop Acrylic Sealant CFS-S ACR and also the remaining gaps around cables/cable supports and other services.

- Approval ETA-11/0429 of 24/11/2014
- Reaction to fire acc EN 13501-1
- Fire resistance test acc 1366-3
- Installation according to Hilti instructions



CONTENTS

Steel conduits in a flexible wall

ID

CAB-FW-CD-0119

FIRESTOP COATED BOARD

0119_01

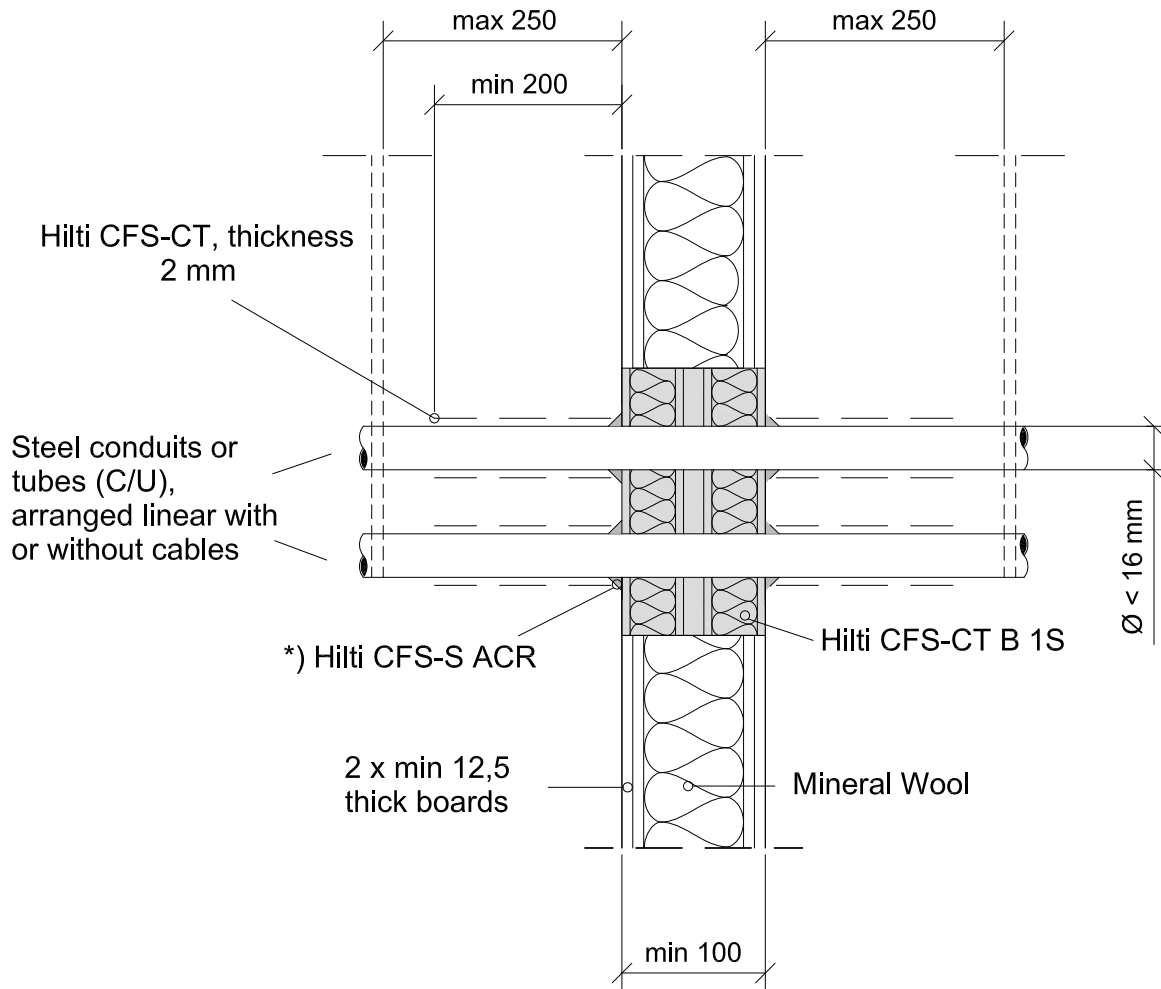
REV

00

No scale

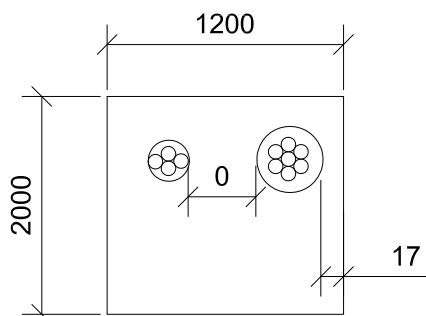
All units are in millimetres

Fire Rating EI 90



*) Annular gap fill material

Max. opening (1200x2000) and minimum distance



All cut edges of boards sealed with Hilti Firestop Acrylic Sealant CFS-S ACR and also the remaining gaps around cables/cable supports and other services.

- Approval ETA-11/0429 of 24/11/2014
- Reaction to fire acc EN 13501-1
- Fire resistance test acc 1366-3
- Installation according to Hilti instructions



CONTENTS

Steel and plastic conduits in a flexible wall

ID

CAB-FW-CD-0120

FIRESTOP COATED BOARD

0120_01

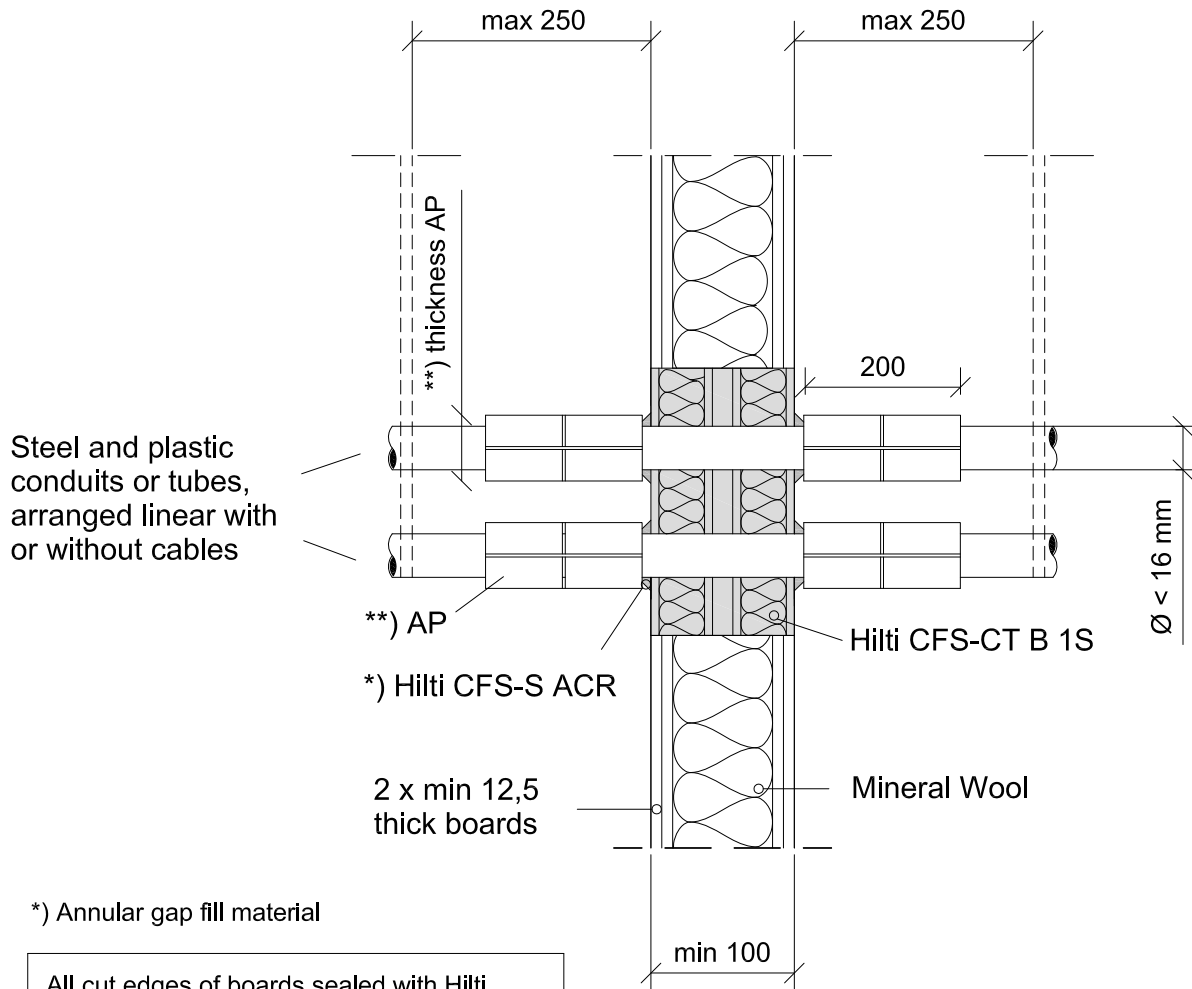
REV

00

No scale

All units are in millimetres

****) Fire Rating EI 120**



Steel and plastic conduits or tubes, arranged linear with or without cables

**) AP

*) Hilti CFS-S ACR

2 x min 12,5 thick boards

Hilti CFS-CT B 1S

Mineral Wool

Ø < 16 mm

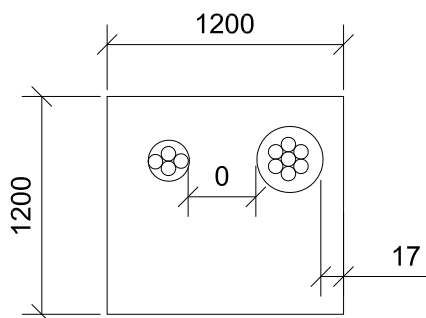
*) Annular gap fill material

All cut edges of boards sealed with Hilti Firestop Acrylic Sealant CFS-S ACR and also the remaining gaps around cables/cable supports and other services.

**) Fire rating and AP

	AP4a)	AP5a)
Plastic conduits	U/C	U/U
Steel conduits	C/U	U/U

Max. opening (1200x1200) and minimum distance



a) Mineral wool mat, al-facing outside, wrapped around the cables/cable supports on both sides of seal and fixed with wire, length along the cables 200 mm on each side of the seal. Thickness 20 (AP4) or 30 (AP5) mm

- Approval ETA-11/0429 of 24/11/2014
- Reaction to fire acc EN 13501-1
- Fire resistance test acc 1366-3
- Installation according to Hilti instructions



CONTENTS

Plastic conduits in a rigid wall

ID

CAB-RW-CD-0130

FIRESTOP COATED BOARD

0130_01

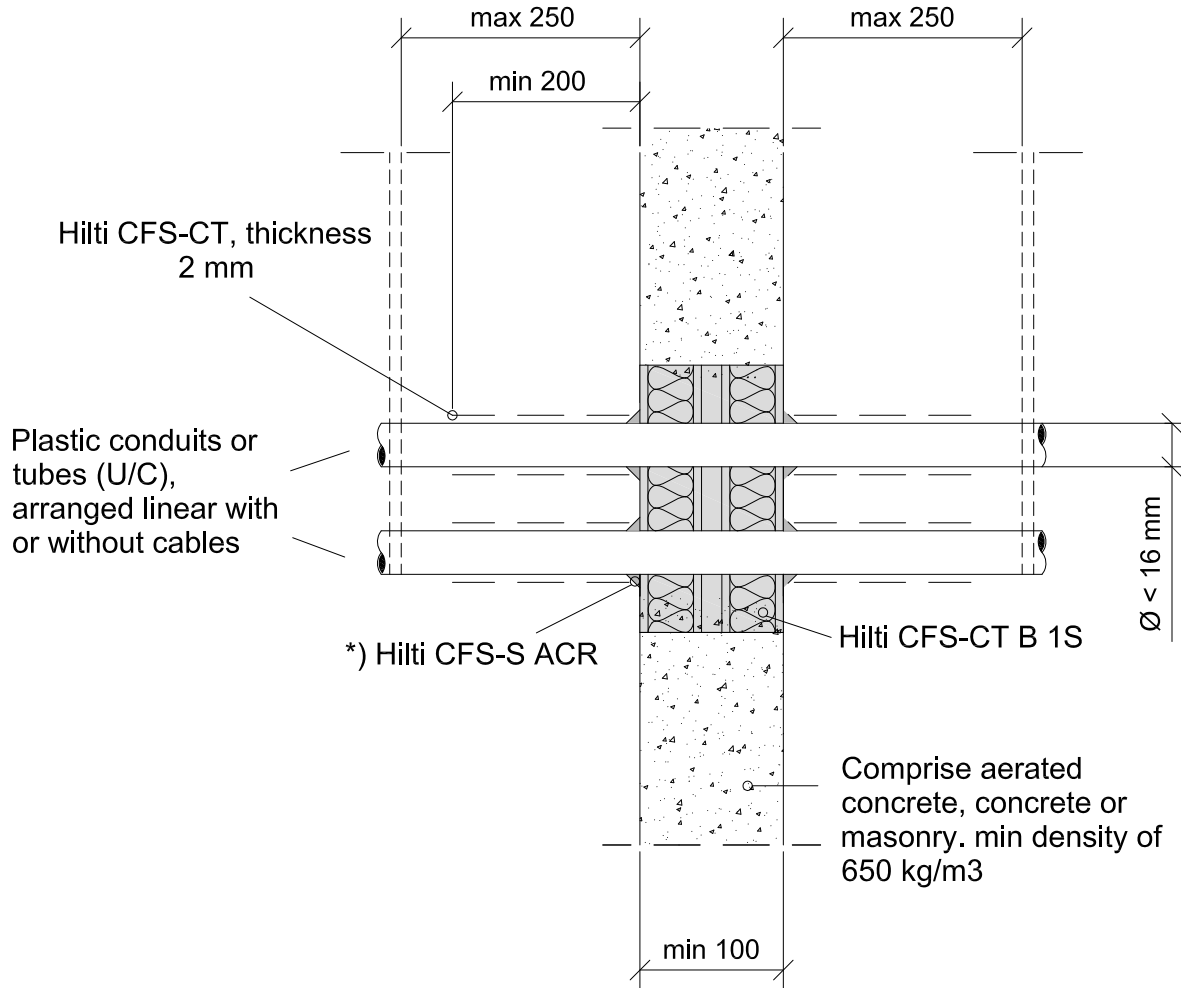
REV

00

No scale

All units are in millimetres

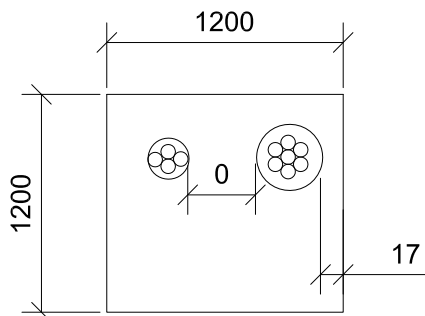
Fire Rating EI 120



*) Annular gap fill material

Max. opening (1200x1200) and minimum distance

All cut edges of boards sealed with Hilti Firestop Acrylic Sealant CFS-S ACR and also the remaining gaps around cables/cable supports and other services.



- Approval ETA-11/0429 of 24/11/2014
- Reaction to fire acc EN 13501-1
- Fire resistance test acc 1366-3
- Installation according to Hilti instructions



CONTENTS

Steel conduits in a rigid wall

ID

CAB-RW-CD-0131

FIRESTOP COATED BOARD

0131_01

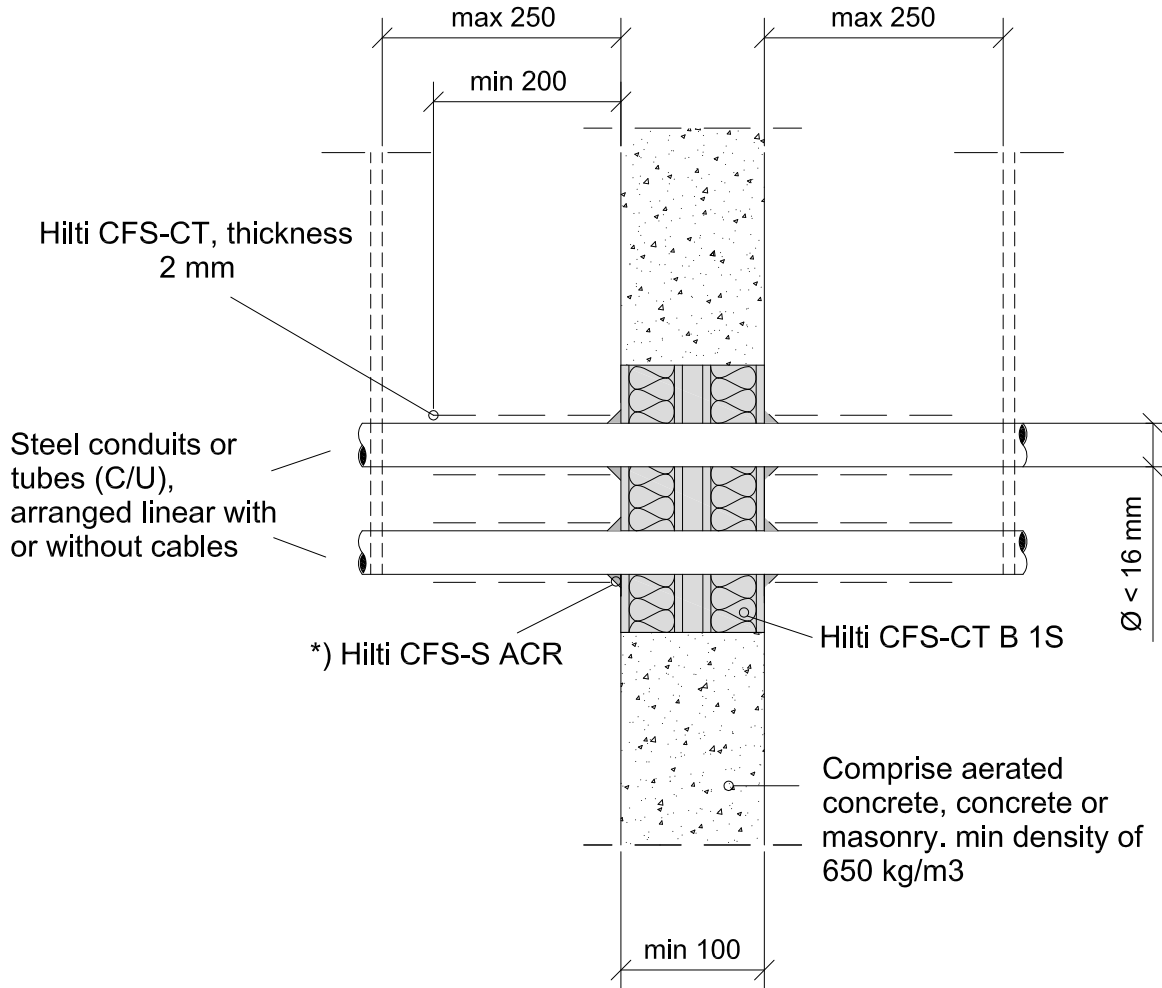
REV

00

No scale

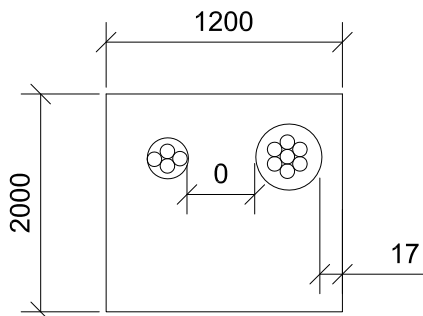
All units are in millimetres

Fire Rating EI 90



*) Annular gap fill material

Max. opening (1200x2000) and minimum distance



All cut edges of boards sealed with Hilti Firestop Acrylic Sealant CFS-S ACR and also the remaining gaps around cables/cable supports and other services.

- Approval ETA-11/0429 of 24/11/2014
- Reaction to fire acc EN 13501-1
- Fire resistance test acc 1366-3
- Installation according to Hilti instructions



CONTENTS

Steel and plastic conduits in a rigid wall

ID

CAB-RW-CD-0132

FIRESTOP COATED BOARD

0132_01

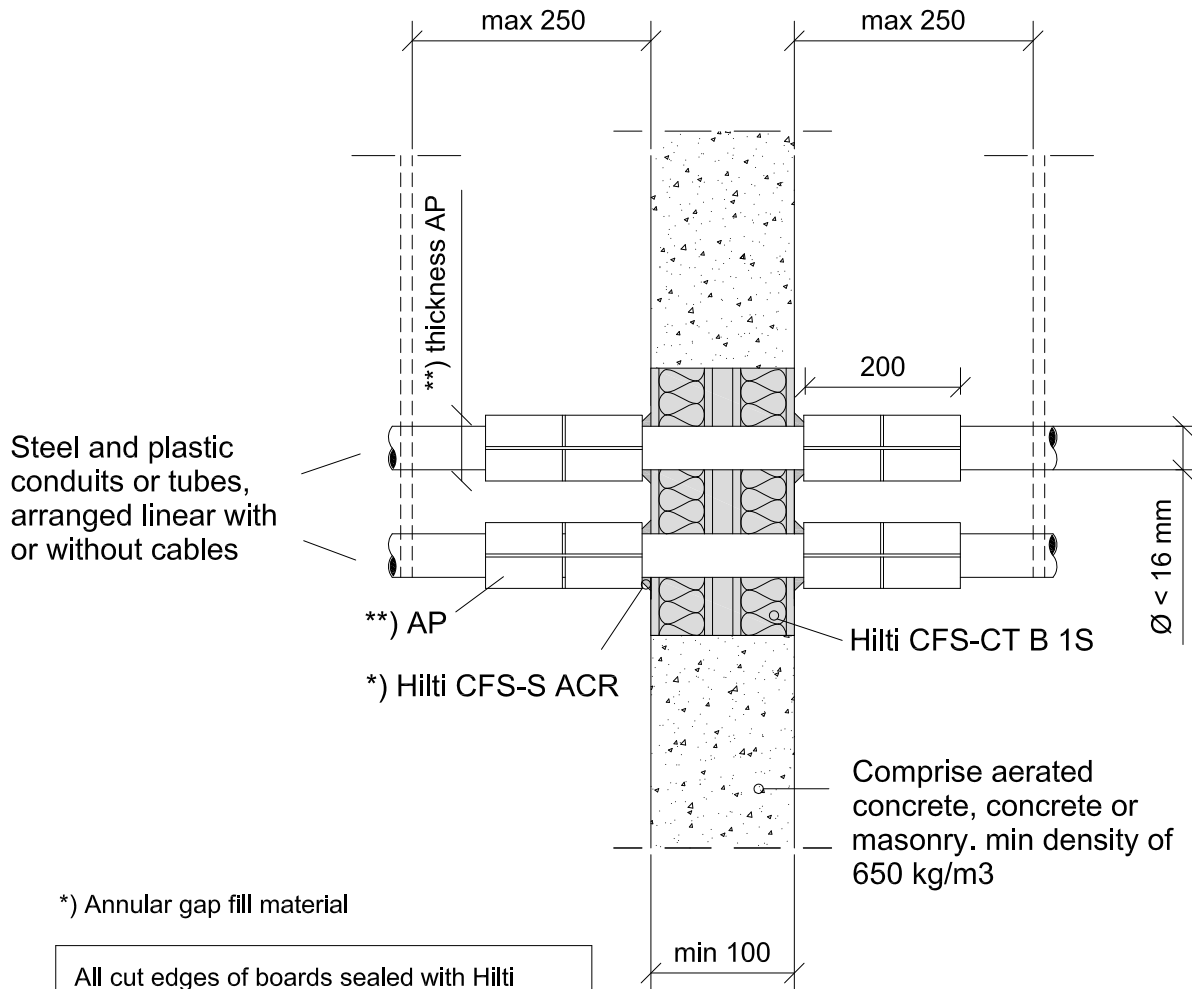
REV

00

No scale

All units are in millimetres

****) Fire Rating EI 120**



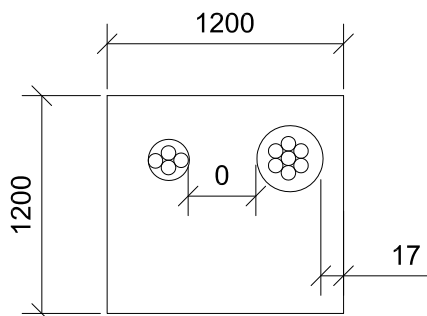
*) Annular gap fill material

All cut edges of boards sealed with Hilti Firestop Acrylic Sealant CFS-S ACR and also the remaining gaps around cables/cable supports and other services.

**) Fire rating and AP

	AP4a)	AP5a)
Plastic conduits	U/C	U/U
Steel conduits	C/U	U/U

Max. opening (1200x1200) and minimum distance



a) Mineral wool mat, al-facing outside, wrapped around the cables/cable supports on both sides of seal and fixed with wire, length along the cables 200 mm on each side of the seal. Thickness 20 (AP4) or 30 (AP5) mm

- Approval ETA-11/0429 of 24/11/2014
- Reaction to fire acc EN 13501-1
- Fire resistance test acc 1366-3
- Installation according to Hilti instructions



CONTENTS

Steel and plastic conduits in a rigid floor

ID

CAB-RF-CD-0142

FIRESTOP COATED BOARD

0142_01

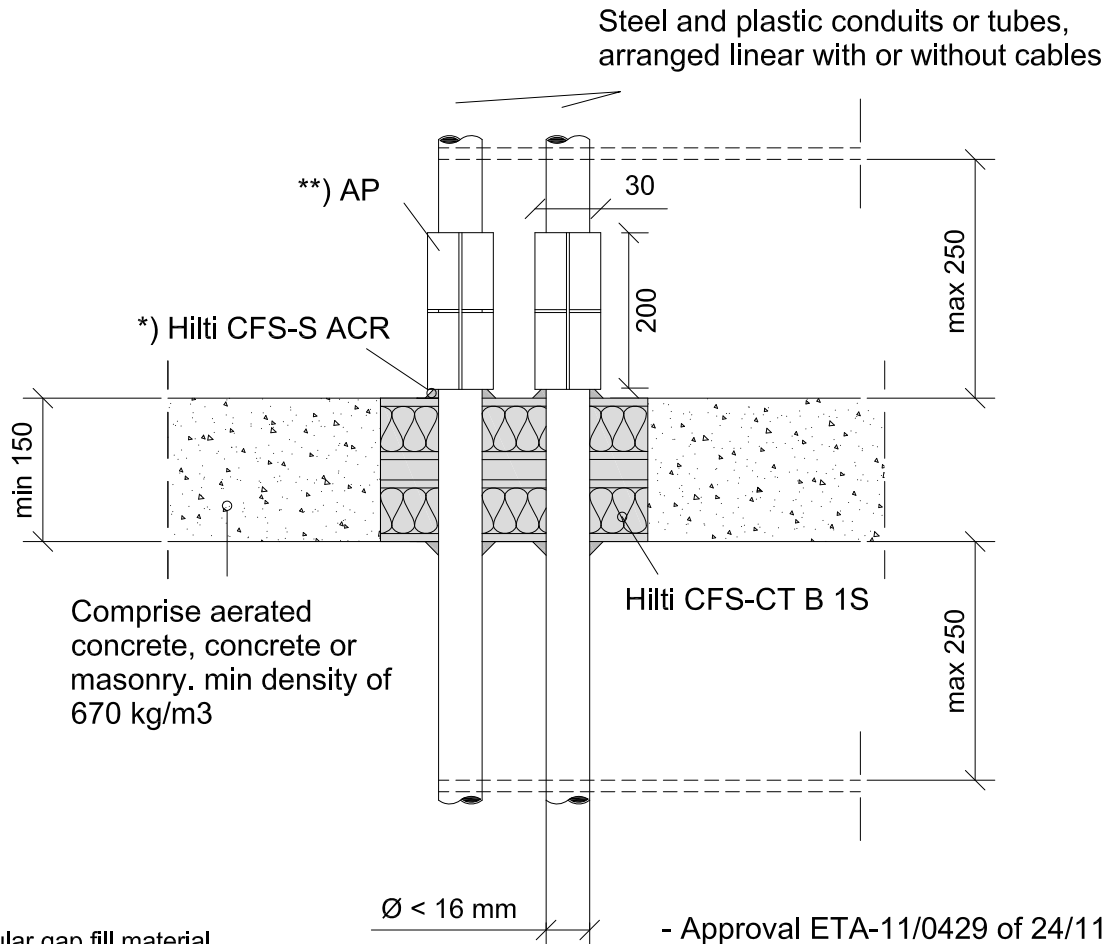
REV

00

No scale

All units are in millimetres

****)** Fire Rating EI 90

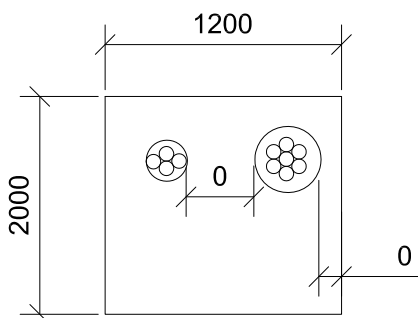


*) Annular gap fill material

All cut edges of boards sealed with Hilti Firestop Acrylic Sealant CFS-S ACR and also the remaining gaps around cables/cable supports and other services.

- Approval ETA-11/0429 of 24/11/2014
- Reaction to fire acc EN 13501-1
- Fire resistance test acc 1366-3
- Installation according to Hilti instructions

Max. opening (1200x2000) and minimum distance



****)** Fire rating and AP

	AP2a)	AP5b)
Plastic conduits	U/C	U/C
Steel conduits	C/U	C/U

- Cables/small conduits coated with Hilti firestop coating CFS-CT over a length of 200 mm on both sides of the seal, thickness 1 mm. (With cable support)
- Mineral wool mat, a1-facing outside, wrapped around the cables/cable supports on both sides of seal and fixed with wire, length along the cables 200 mm on each side of the seal. (With or without cable support)



CONTENTS

Steel and plastic conduits in a rigid floor

ID

CAB-RF-CD-0143

FIRESTOP COATED BOARD

0143_01

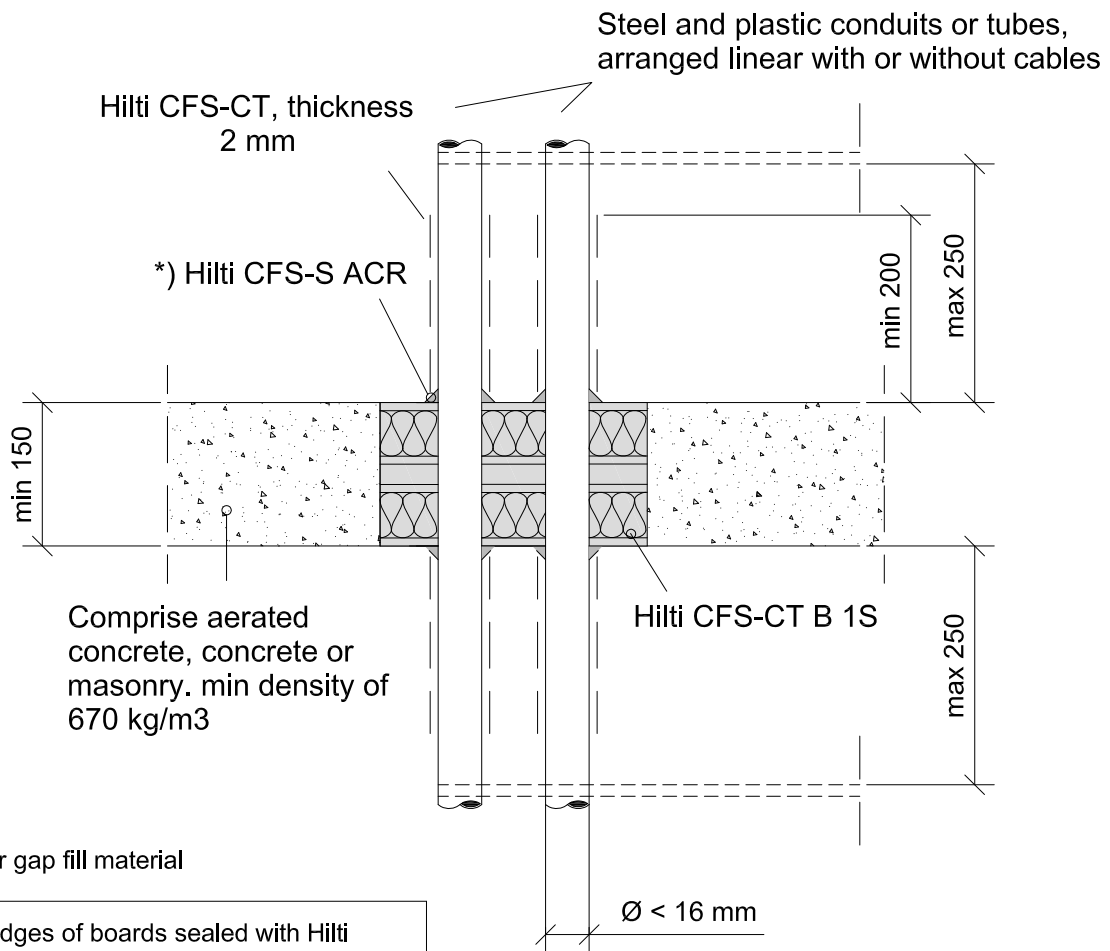
REV

00

No scale

All units are in millimetres

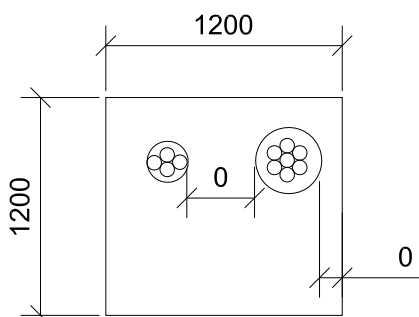
****)** Fire Rating EI 120



*) Annular gap fill material

All cut edges of boards sealed with Hilti Firestop Acrylic Sealant CFS-S ACR and also the remaining gaps around cables/cable supports and other services.

Max. opening (1200x1200) and minimum distance



- Approval ETA-11/0429 of 24/11/2014
- Reaction to fire acc EN 13501-1
- Fire resistance test acc 1366-3
- Installation according to Hilti instructions

***) Fire rating

Plastic conduits	U/C
Steel conduits	C/U