

Schémas d'application pour le sac coupe-feu CFS-CU



Applications pour câbles, botte et chemin de câbles

Cloisons épaisseur 100 mm (dimension de l'ouverture 1200 x 1500)

- Câbles unitaires et botte de câbles CAB-FW-BD-0165/168
- Chemin de câbles CAB-FW-TR-0166/169
- Câbles, botte et chemin de câbles CAB-FW-MT-0167/170

Voile rigide épaisseur 100 mm (dimension de l'ouverture 1200 x 1500)

- Câbles unitaires et botte de câbles CAB-RW-BD-0173/176
- Chemin de câbles CAB-RW-TR-0174/177
- Câbles, botte et chemin de câbles CAB-RW-MT-0175/178

Voile rigide épaisseur 150 mm (dimension de l'ouverture 1200 x 1500)

- Câbles unitaires et botte de câbles CAB-RW-BD-0181
- Chemin de câbles CAB-RW-TR-0182
- Câbles, botte et chemin de câbles CAB-RW-MT-0183

Dalle rigide épaisseur 150 mm (dimension de l'ouverture wx 700)

- Câbles unitaires et botte de câbles CAB-RF-BD-0184/187
- Chemin de câbles CAB-RF-TR-0185/188/191
- Câbles, botte et chemin de câbles CAB-RF-MT-0186/189/192
- Câbles unitaires CAB-RF-SG-0190

*) Tous les schémas sont également disponibles sur demande en format DWG pour faciliter l'insertion sur des plans.



CONTENTS

Single and cable bundles in a flexible wall

ID

CAB-FW-BD-0165

FIRESTOP CUSHION

0165_01

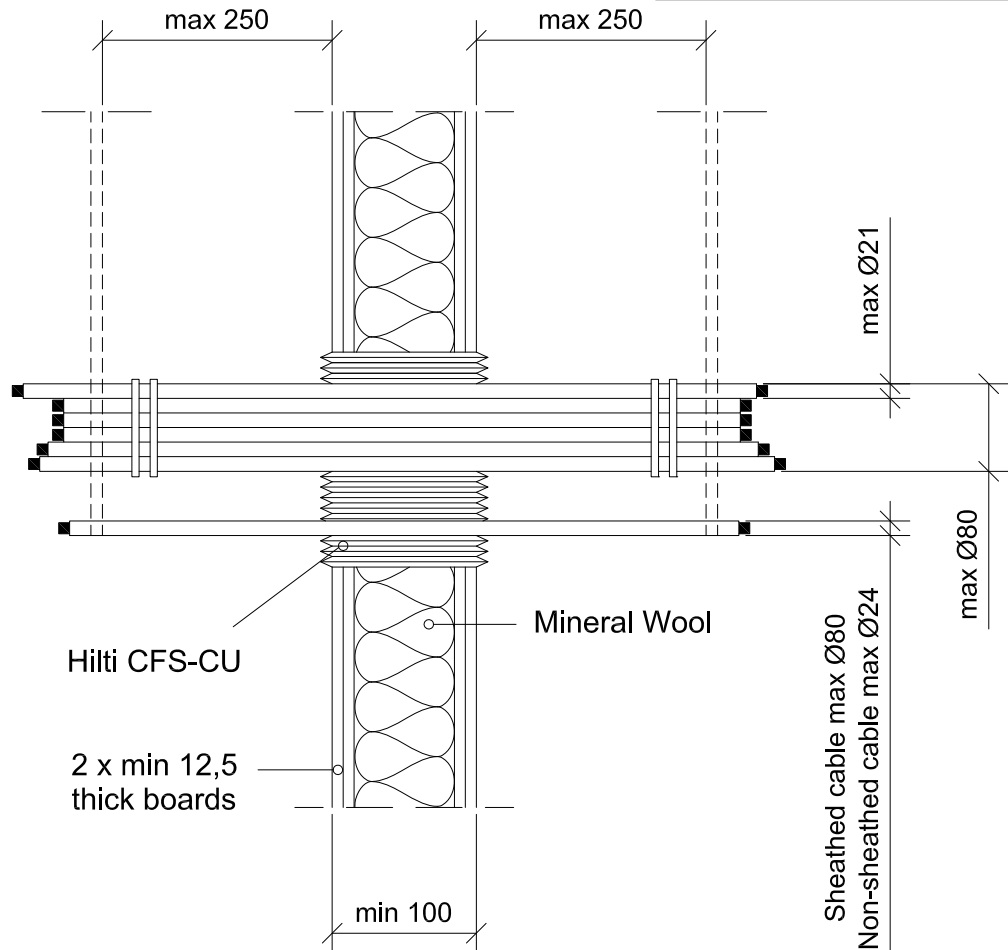
REV

00

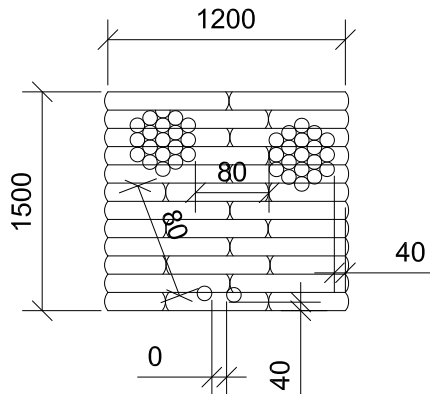
No scale

All units are in millimetres

Fire Rating EI 45



Max. opening (1200x1500) and minimum distance



- Approval ETA-08/0213 of 11/04/2011
- Reaction to fire acc EN 13501-1
- Fire resistance test acc 1366-3
- Installation according to Hilti instructions

Sound Insulation for flexible wall

$$D_{n,w} = 58 \text{ dB}$$

$$R_w = 50 \text{ dB}$$



CONTENTS

Cable tray in a flexible wall

ID

CAB-FW-TR-0166

FIRESTOP CUSHION

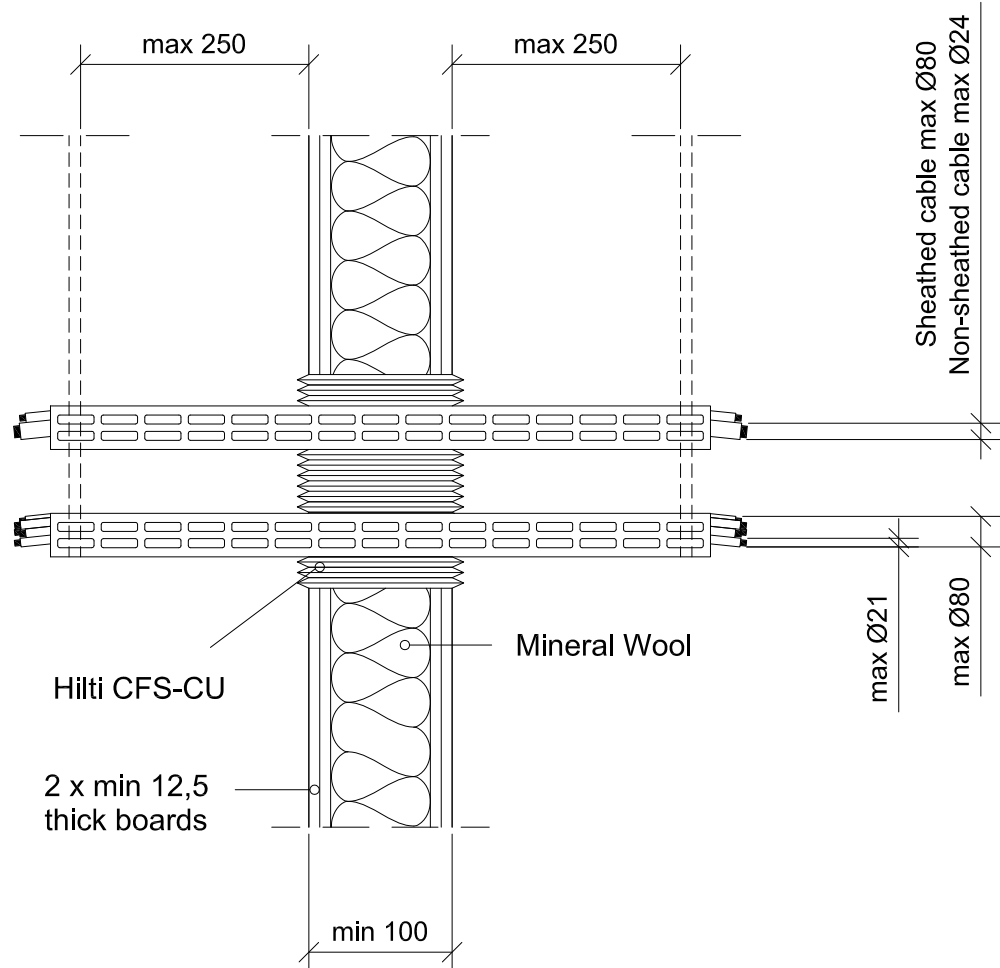
0166_01

REV
00

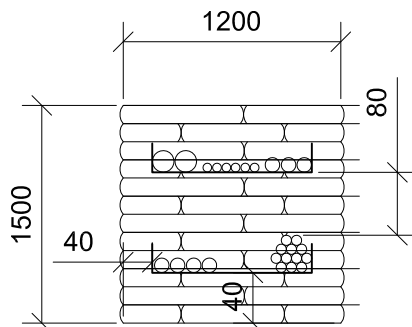
No scale

All units are in millimetres

Fire Rating EI 45



Max. opening (1200x1500) and minimum distance



- Approval ETA-08/0213 of 11/04/2011
- Reaction to fire acc EN 13501-1
- Fire resistance test acc 1366-3
- Installation according to Hilti instructions

Sound Insulation for flexible wall

$$D_{n,w} = 58 \text{ dB}$$

$$R_w = 50 \text{ dB}$$



CONTENTS

Multiple in a flexible wall

ID

CAB-FW-MT-0167

FIRESTOP CUSHION

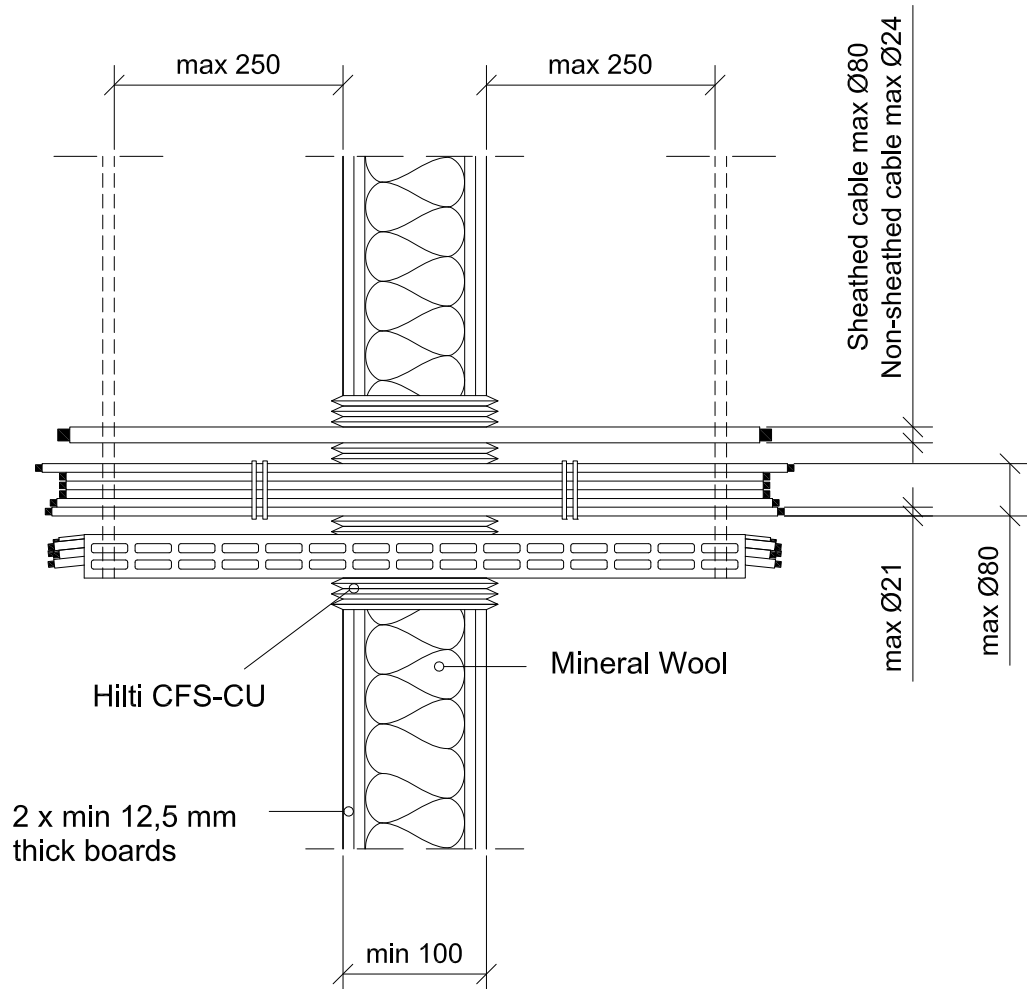
0167_01

REV
00

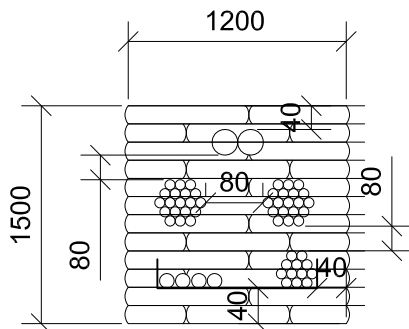
No scale

All units are in millimetres

Fire Rating EI 45



Max. opening (1200x1500) and minimum distance



- Approval ETA-08/0213 of 11/04/2011
- Reaction to fire acc EN 13501-1
- Fire resistance test acc 1366-3
- Installation according to Hilti instructions

Sound Insulation for flexible wall

$$D_{n,w} = 58 \text{ dB}$$

$$R_w = 50 \text{ dB}$$



CONTENTS

Single and cable bundles in a flexible wall

ID

CAB-FW-BD-0168

FIRESTOP CUSHION

0168_01

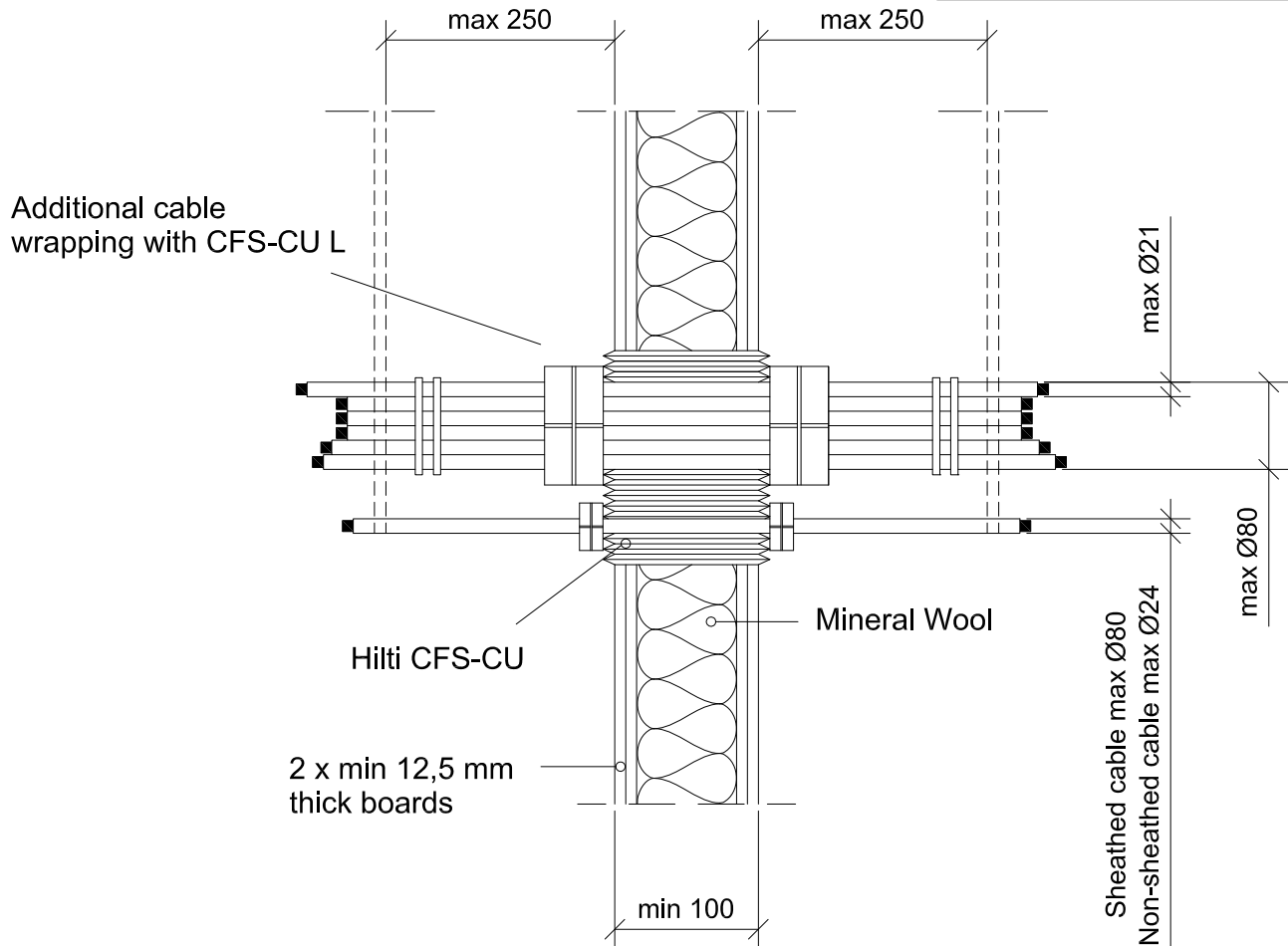
REV

00

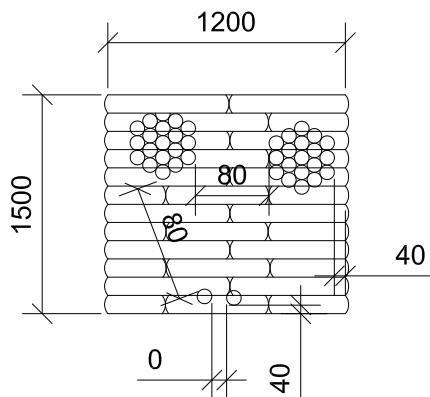
No scale

All units are in millimetres

Fire Rating EI 120



Max. opening (1200x1500) and minimum distance



- Approval ETA-08/0213 of 11/04/2011
- Reaction to fire acc EN 13501-1
- Fire resistance test acc 1366-3
- Installation according to Hilti instructions

Sound Insulation for flexible wall

$$D_{n,w} = 58 \text{ dB}$$

$$R_w = 50 \text{ dB}$$



CONTENTS

Cable tray in a flexible wall

ID

CAB-FW-TR-0169

FIRESTOP CUSHION

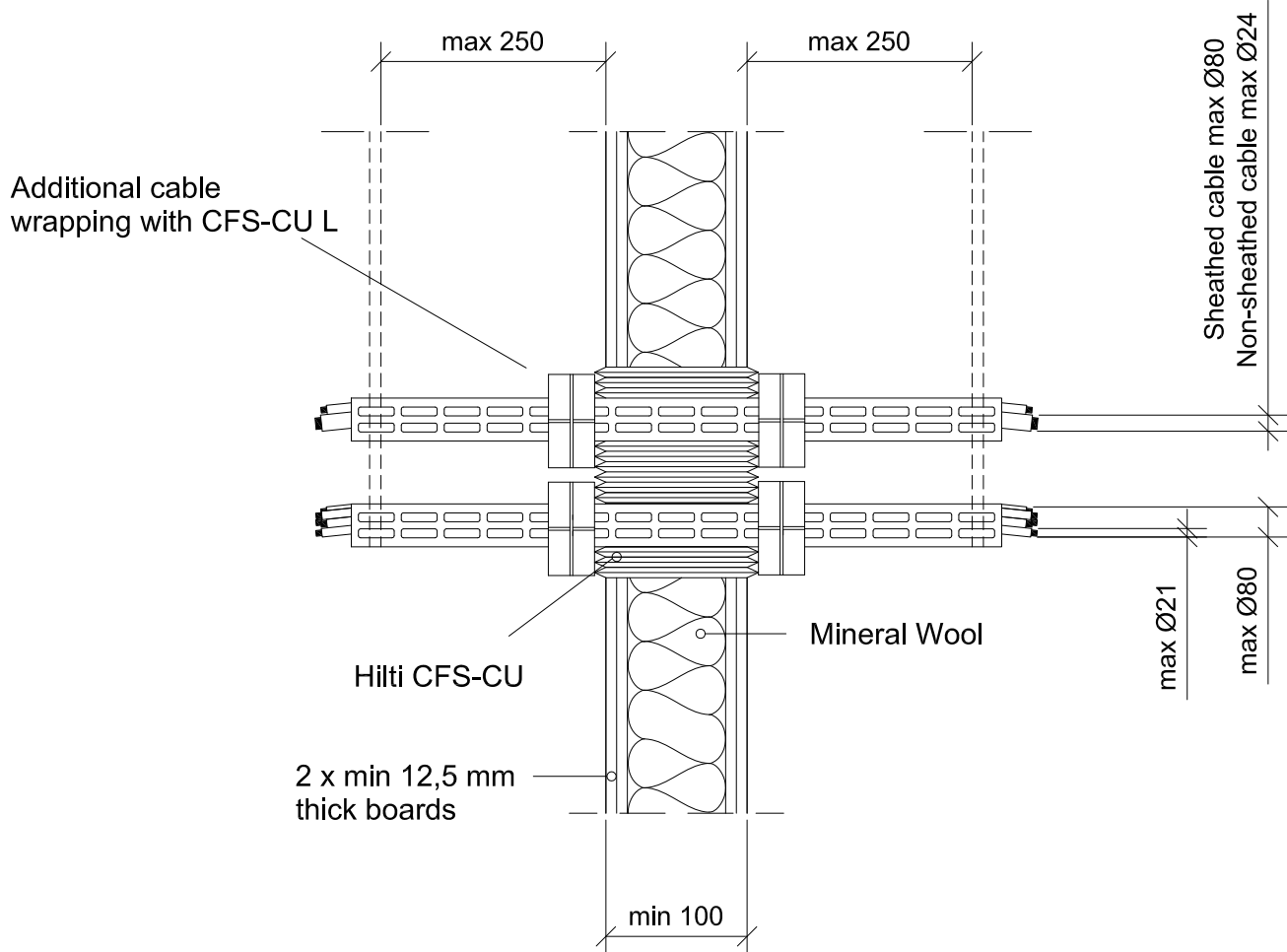
0169_01

REV
00

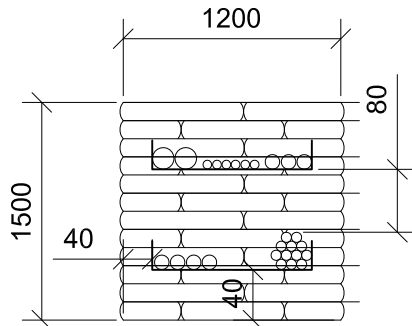
No scale

All units are in millimetres

Fire Rating EI 120



Max. opening (1200x1500) and minimum distance



- Approval ETA-08/0213 of 11/04/2011
- Reaction to fire acc EN 13501-1
- Fire resistance test acc 1366-3
- Installation according to Hilti instructions

Sound Insulation for flexible wall

$$D_{n,w} = 58 \text{ dB}$$

$$R_w = 50 \text{ dB}$$



CONTENTS

Multiple in a flexible wall

ID

CAB-FW-MT-0170

FIRESTOP CUSHION

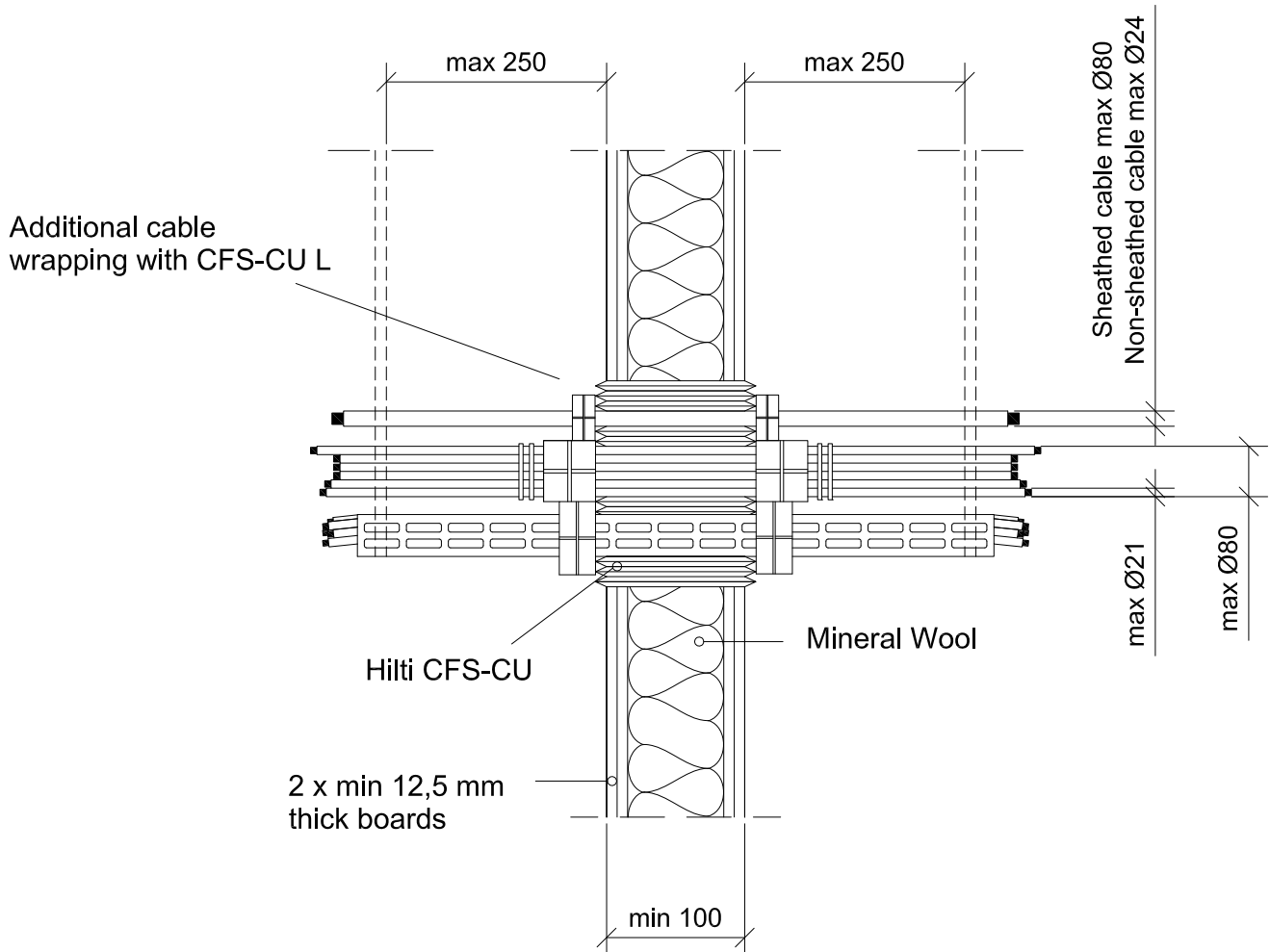
0170_01

REV
00

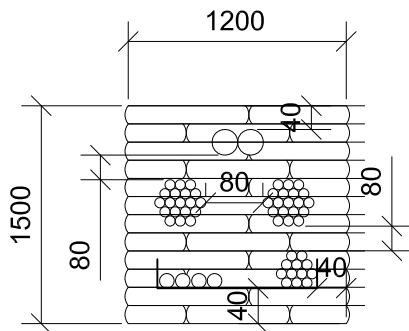
No scale

All units are in millimetres

Fire Rating EI 120



Max. opening (1200x1500) and minimum distance



- Approval ETA-08/0213 of 11/04/2011
- Reaction to fire acc EN 13501-1
- Fire resistance test acc 1366-3
- Installation according to Hilti instructions

Sound Insulation for flexible wall

$D_{n,w} = 58 \text{ dB}$

$R_w = 50 \text{ dB}$



CONTENTS

Single and cable bundles in a rigid wall

ID

CAB-RW-BD-0173

FIRESTOP CUSHION

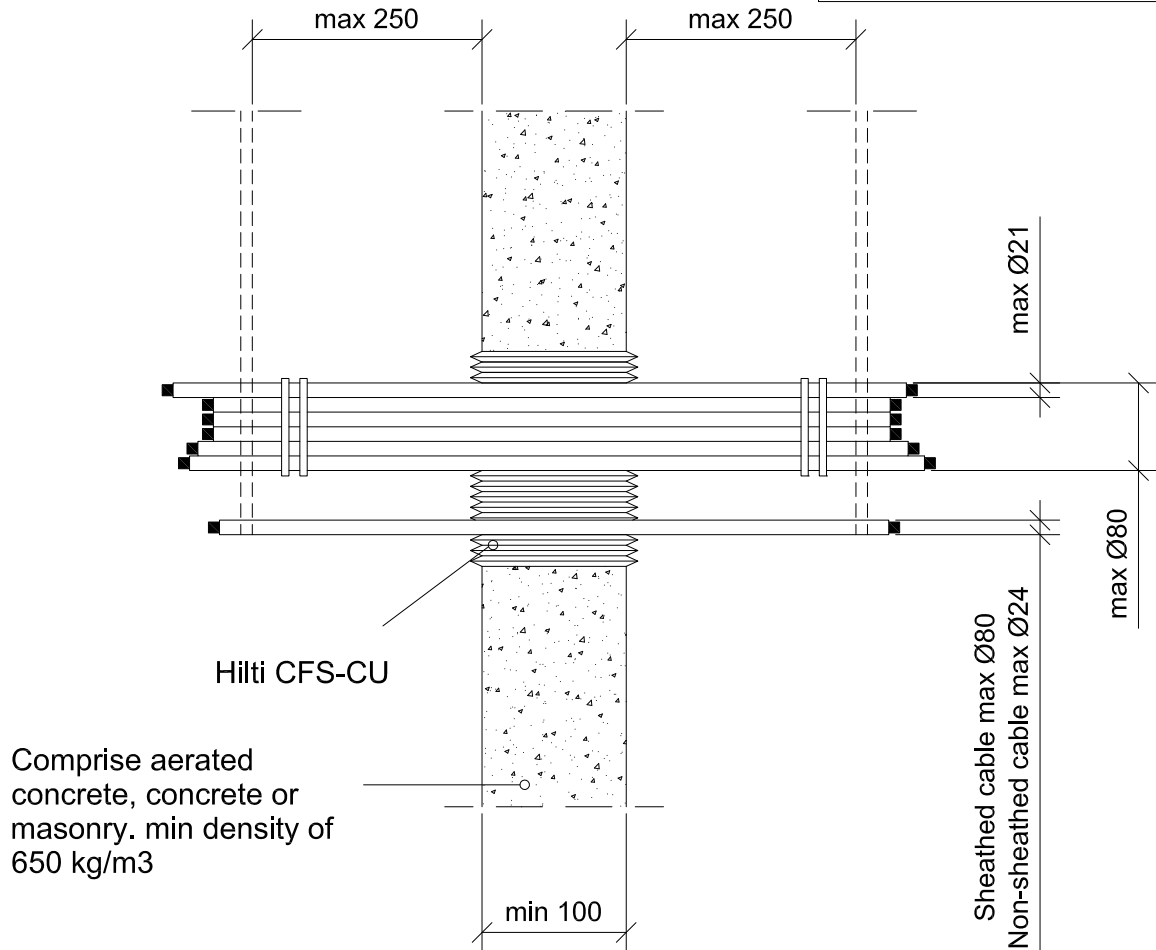
0173_01

REV 00

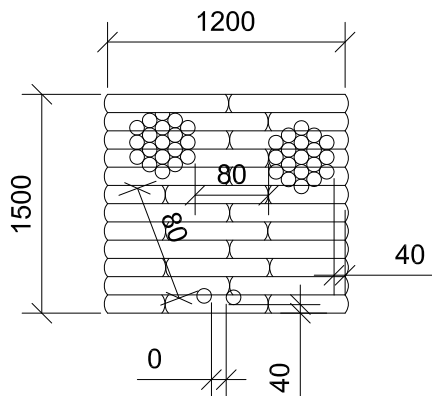
No scale

All units are in millimetres

Fire Rating EI 45



Max. opening (1200x1500) and minimum distance



- Approval ETA-08/0213 of 11/04/2011
- Reaction to fire acc EN 13501-1
- Fire resistance test acc 1366-3
- Installation according to Hilti instructions

Sound Insulation for rigid wall

$$D_{n,w} = 58 \text{ dB}$$

$$R_w = 50 \text{ dB}$$



CONTENTS

Cable tray in a rigid wall

ID

CAB-RW-TR-0174

FIRESTOP CUSHION

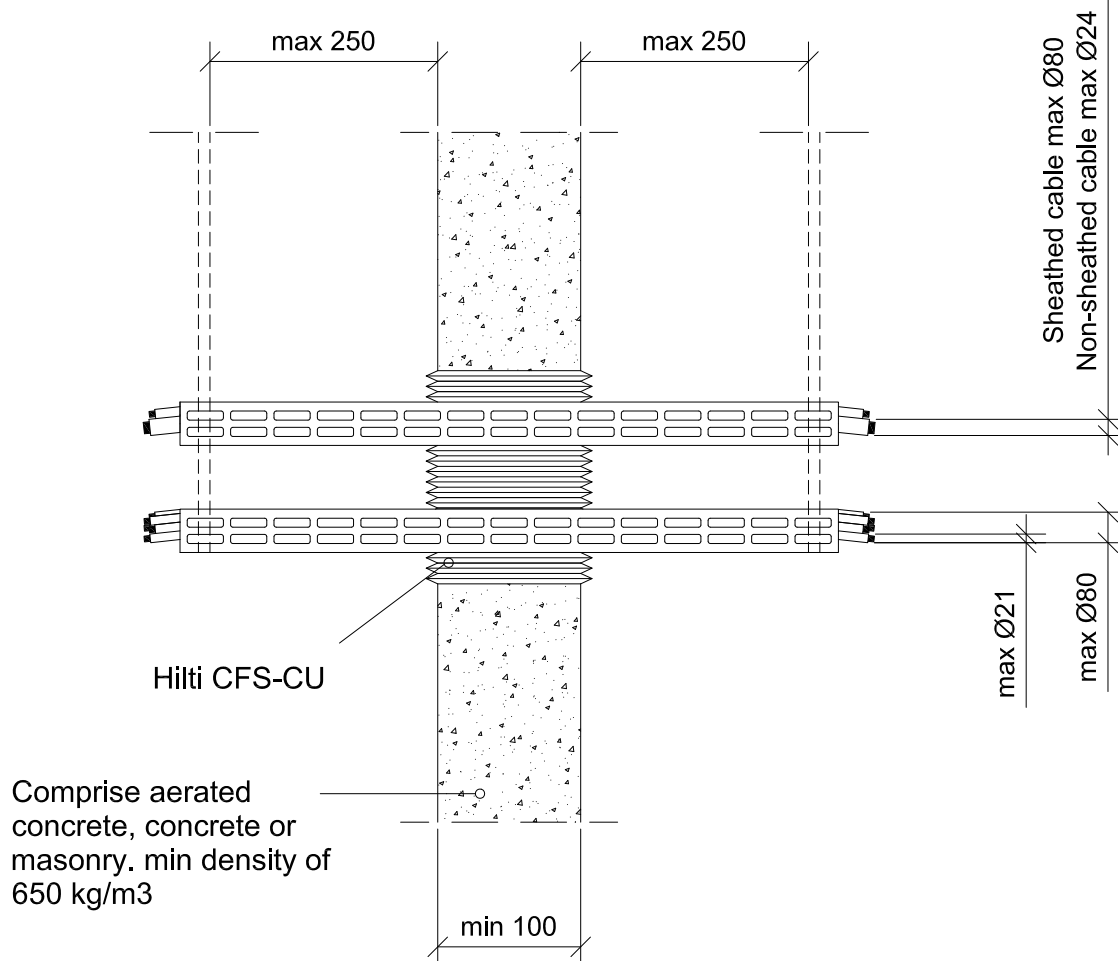
0174_01

REV
00

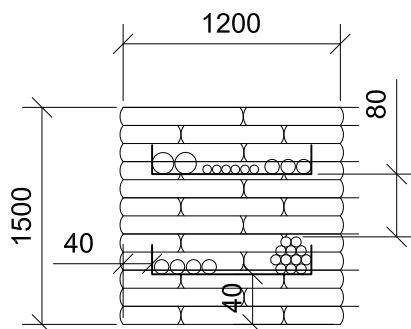
No scale

All units are in millimetres

Fire Rating EI 45



Max. opening (1200x1500) and minimum distance



- Approval ETA-08/0213 of 11/04/2011
- Reaction to fire acc EN 13501-1
- Fire resistance test acc 1366-3
- Installation according to Hilti instructions

Sound Insulation for rigid wall

$$D_{n,w} = 58 \text{ dB}$$

$$R_w = 50 \text{ dB}$$



CONTENTS

Multiple in a rigid wall

ID

CAB-RW-MT-0175

FIRESTOP CUSHION

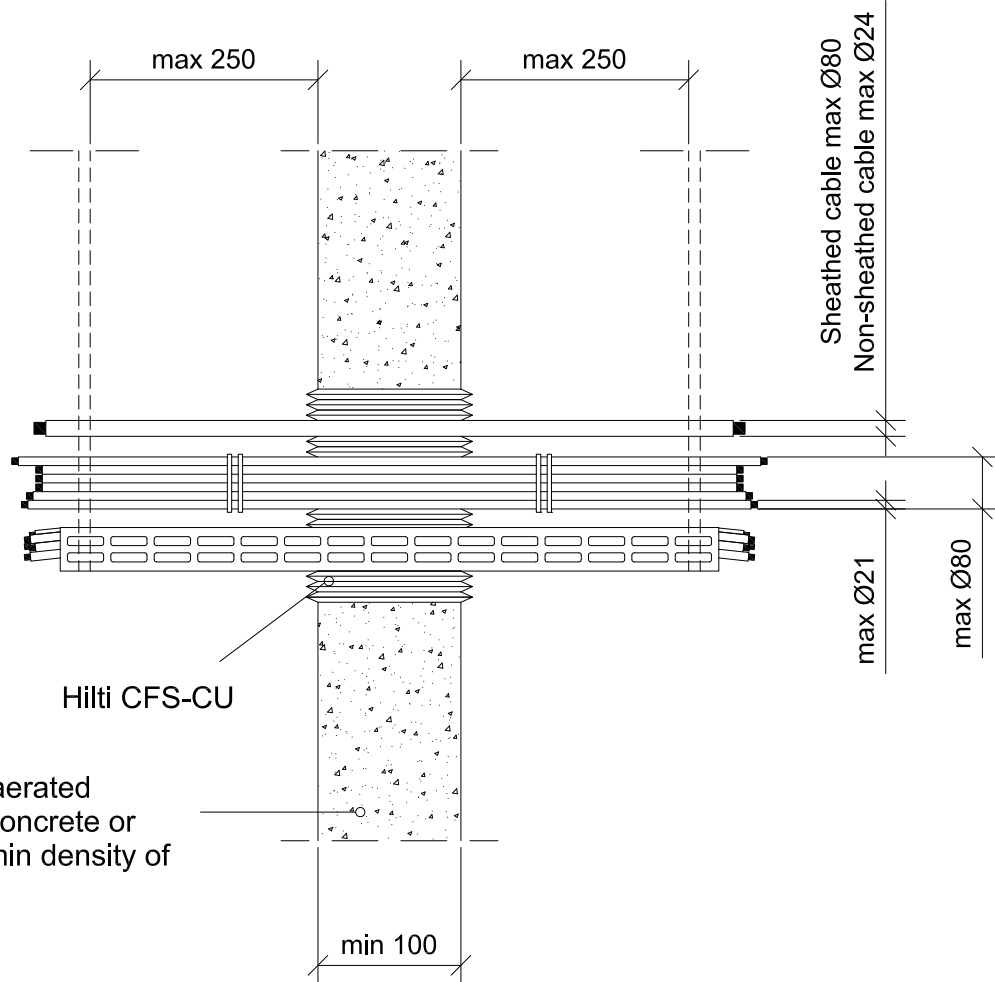
0175_01

REV
00

No scale

All units are in millimetres

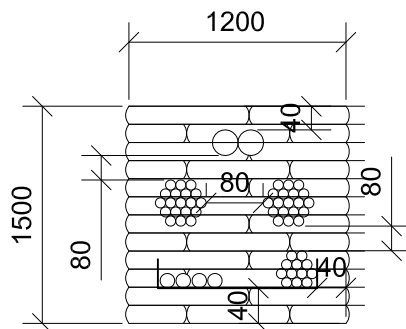
Fire Rating EI 45



Comprise aerated concrete, concrete or masonry. min density of 650 kg/m³

Max. opening (1200x1500) and minimum distance

- Approval ETA-08/0213 of 11/04/2011
- Reaction to fire acc EN 13501-1
- Fire resistance test acc 1366-3
- Installation according to Hilti instructions



Sound Insulation for rigid wall

$$D_{n,w} = 58 \text{ dB}$$

$$R_w = 50 \text{ dB}$$



CONTENTS

Single and cable bundles in a rigid wall

ID

CAB-RW-BD-0176

FIRESTOP CUSHION

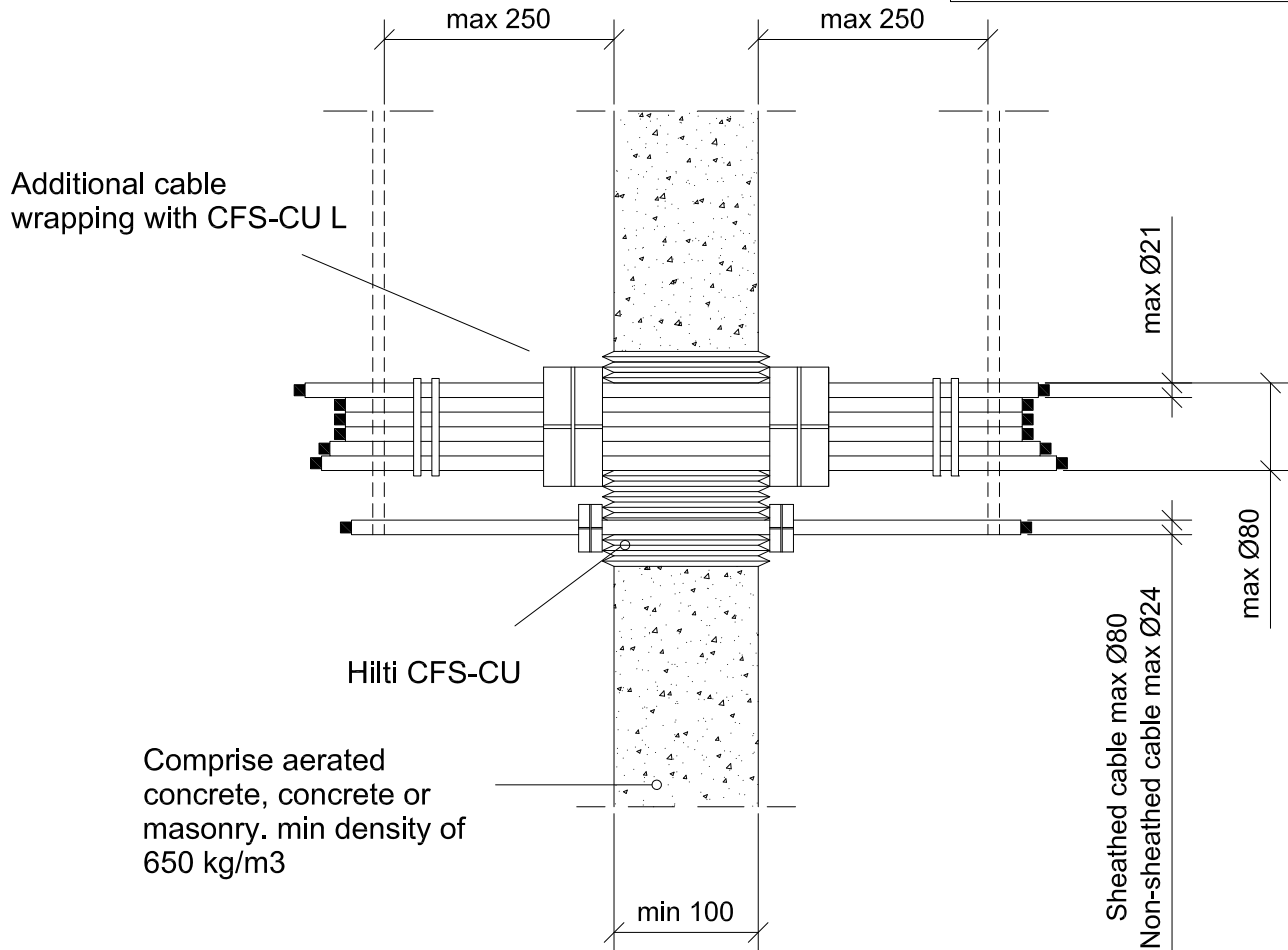
0176_01

REV 00

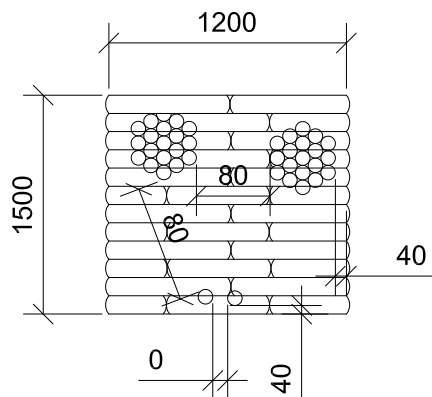
No scale

All units are in millimetres

Fire Rating EI 120



Max. opening (1200x1500) and minimum distance



- Approval ETA-08/0213 of 11/04/2011
- Reaction to fire acc EN 13501-1
- Fire resistance test acc 1366-3
- Installation according to Hilti instructions

Sound Insulation for rigid wall

$$D_{n,w} = 58 \text{ dB}$$

$$R_w = 50 \text{ dB}$$



CONTENTS

Cable tray in a rigid wall

ID

CAB-RW-TR-0177

FIRESTOP CUSHION

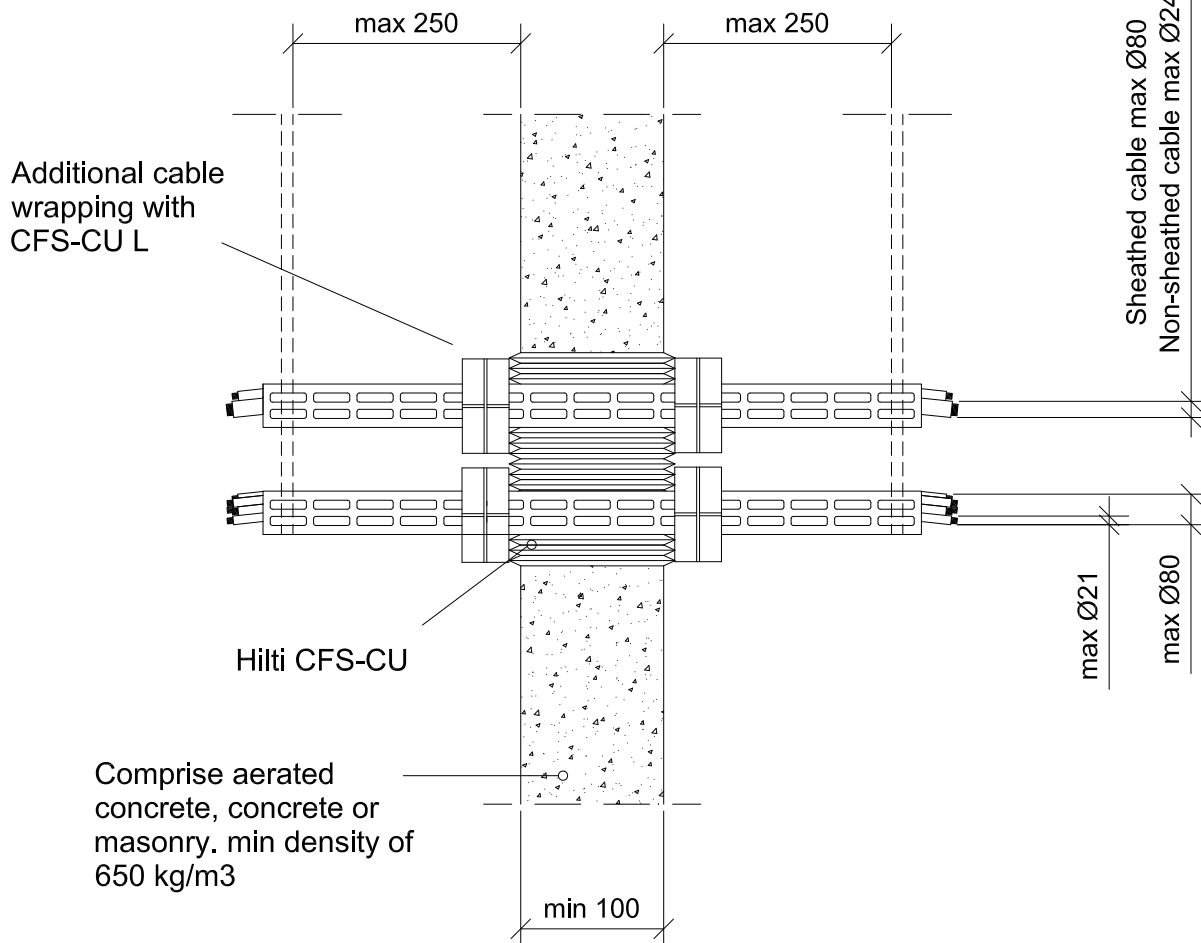
0177_01

REV
00

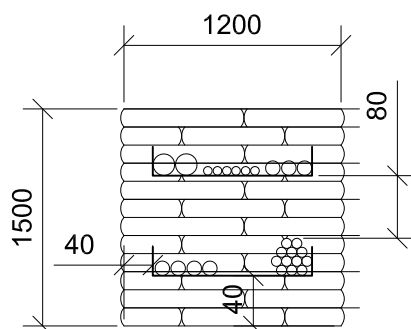
No scale

All units are in millimetres

Fire Rating EI 120



Max. opening (1200x1500) and minimum distance



- Approval ETA-08/0213 of 11/04/2011
- Reaction to fire acc EN 13501-1
- Fire resistance test acc 1366-3
- Installation according to Hilti instructions

Sound Insulation for rigid wall

$$D_{n,w} = 58 \text{ dB}$$

$$R_w = 50 \text{ dB}$$



CONTENTS

Multiple in a rigid wall

ID

CAB-RW-MT-0178

FIRESTOP CUSHION

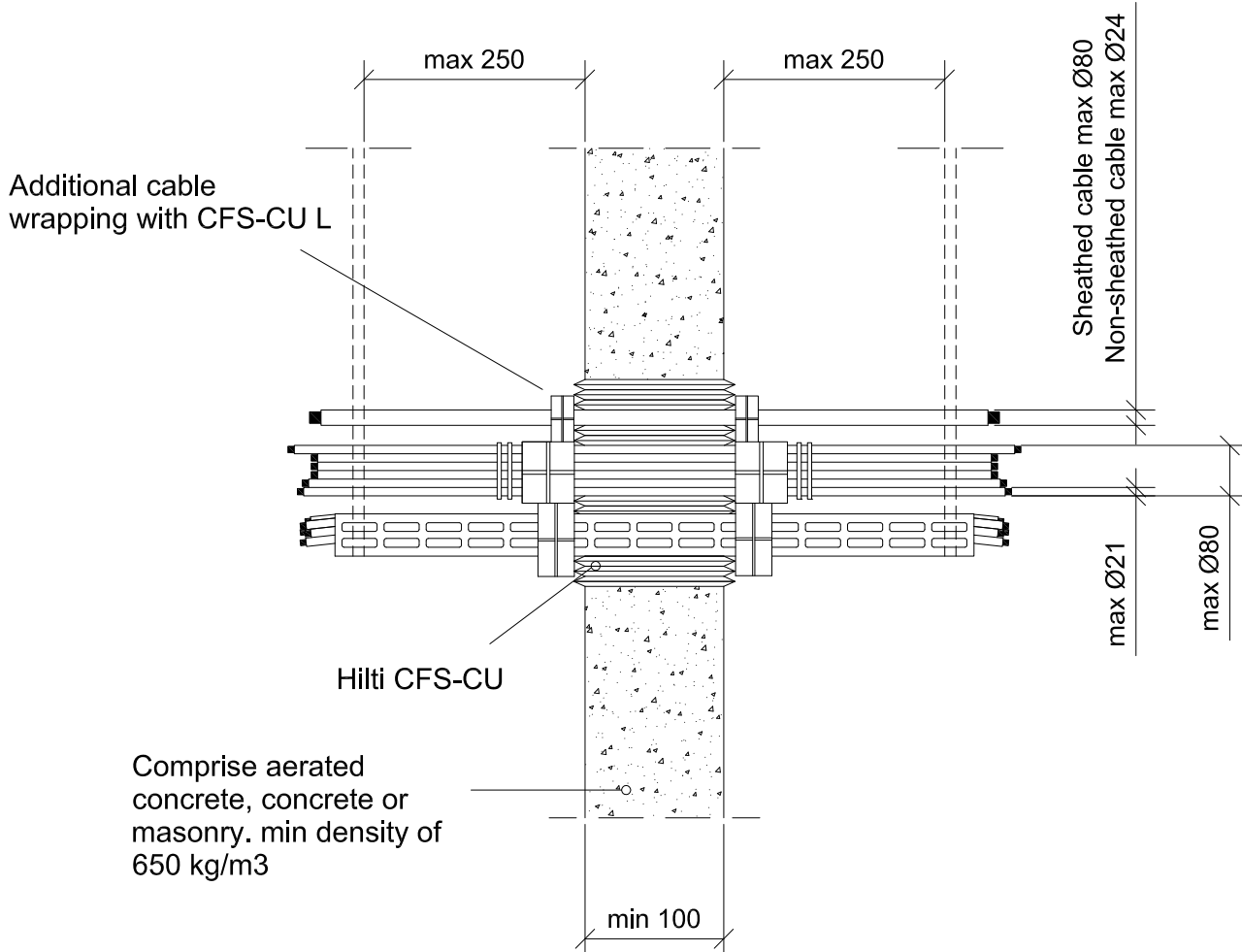
0178_01

REV
00

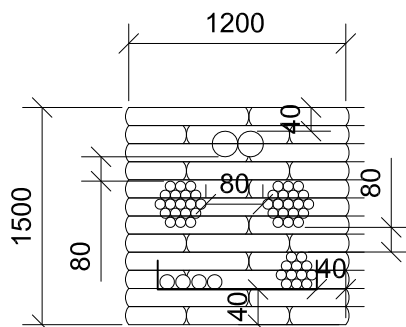
No scale

All units are in millimetres

Fire Rating EI 120



Max. opening (1200x1500) and minimum distance



- Approval ETA-08/0213 of 11/04/2011
- Reaction to fire acc EN 13501-1
- Fire resistance test acc 1366-3
- Installation according to Hilti instructions

Sound Insulation for rigid wall

$$D_{n,w} = 58 \text{ dB}$$

$$R_w = 50 \text{ dB}$$



CONTENTS

Single and cable bundles in a rigid wall

ID

CAB-RW-BD-0181

FIRESTOP CUSHION

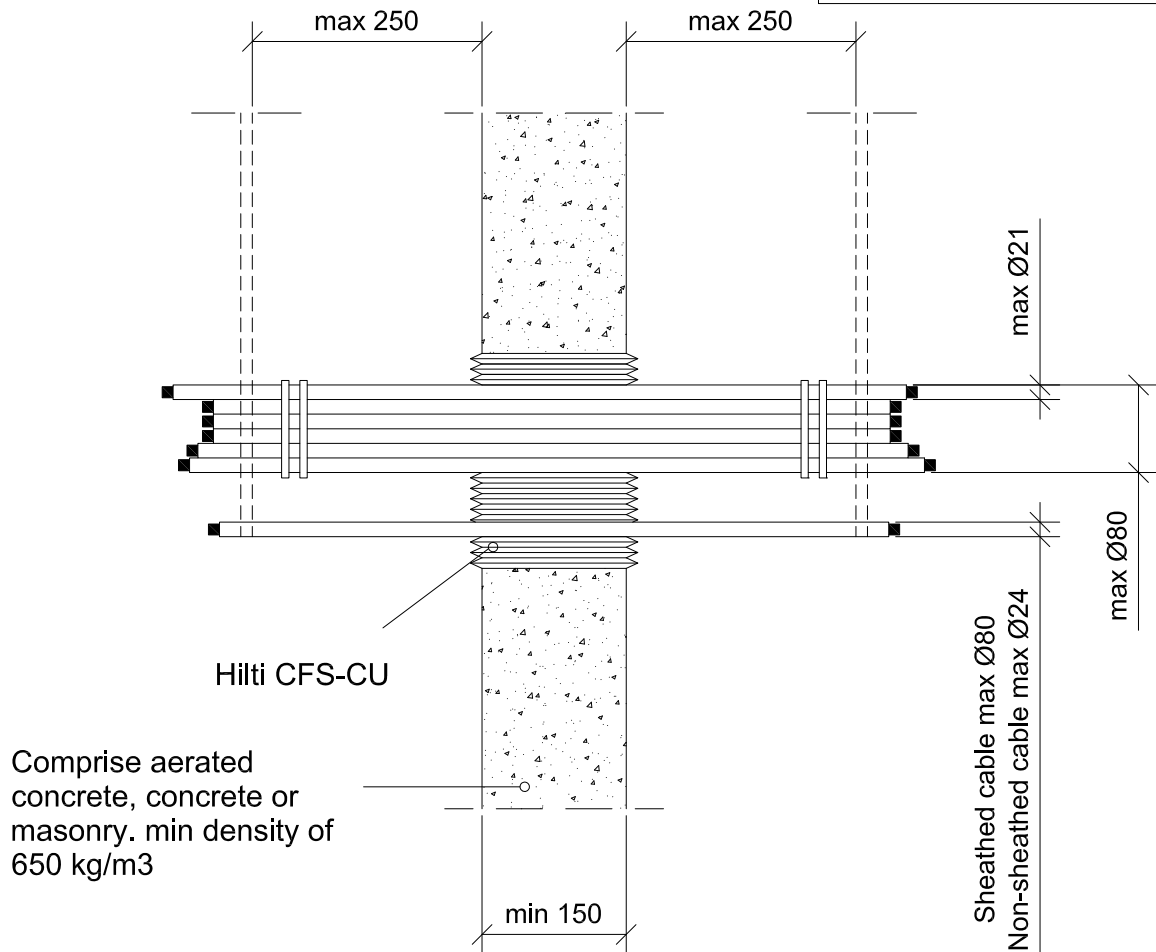
0181_01

REV 00

No scale

All units are in millimetres

Fire Rating EI 60

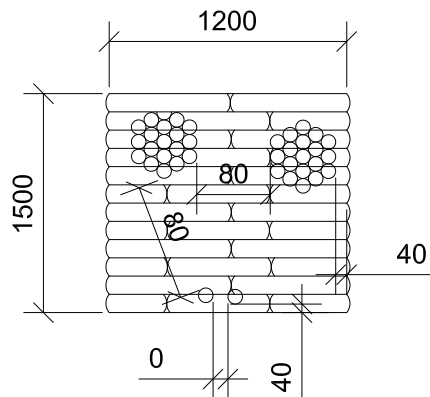


Hilti CFS-CU

Comprise aerated concrete, concrete or masonry. min density of 650 kg/m³

Sheathed cable max Ø80
Non-sheathed cable max Ø24

Max. opening (1200x1500) and minimum distance



- Approval ETA-08/0213 of 11/04/2011
- Reaction to fire acc EN 13501-1
- Fire resistance test acc 1366-3
- Installation according to Hilti instructions

Sound Insulation for rigid wall

$$D_{n,w} = 58 \text{ dB}$$

$$R_w = 50 \text{ dB}$$



CONTENTS

Cable tray in a rigid wall

ID

CAB-RW-TR-0182

FIRESTOP CUSHION

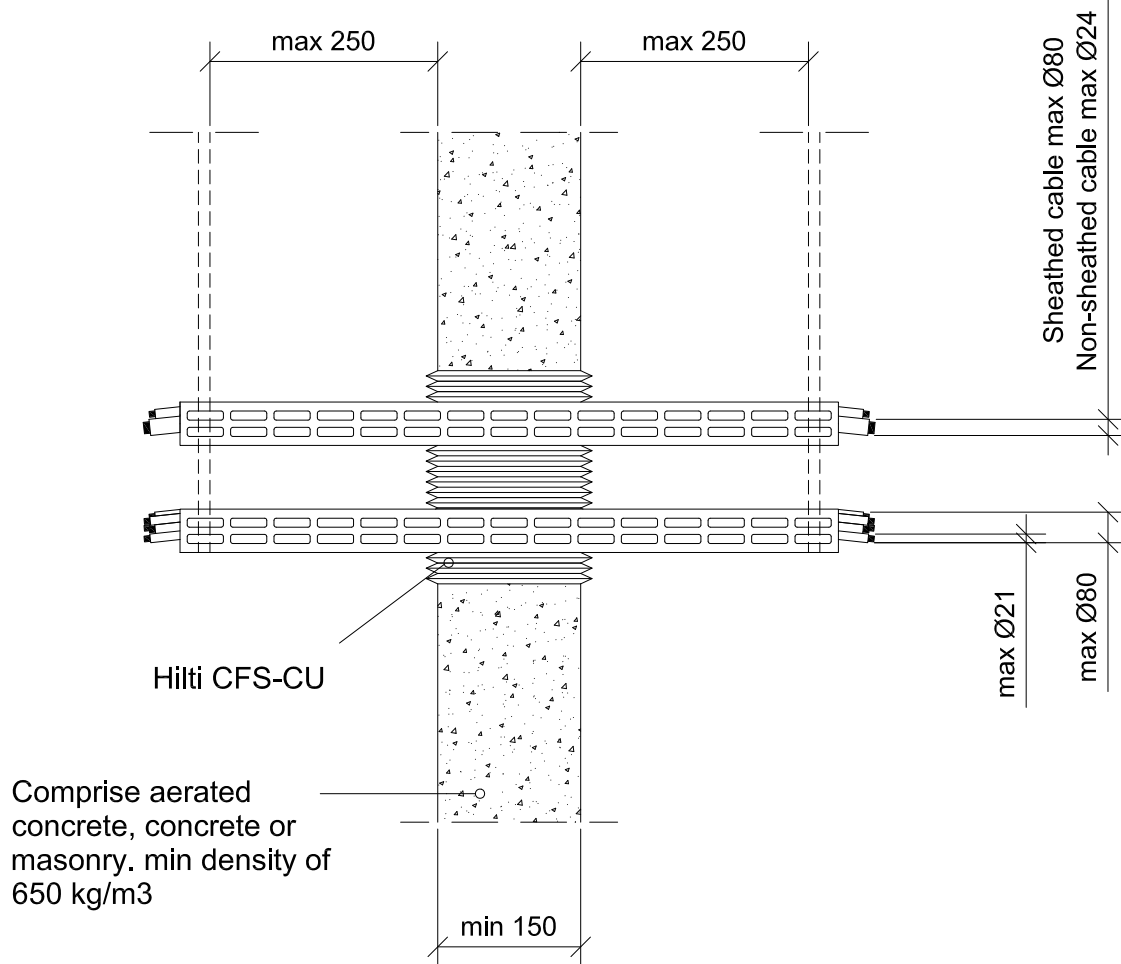
0182_01

REV
00

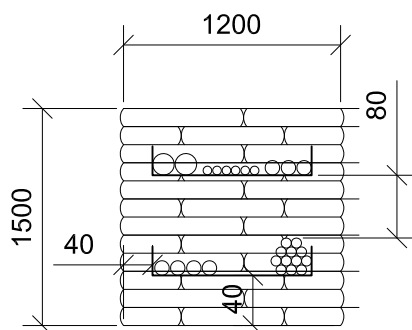
No scale

All units are in millimetres

Fire Rating EI 60



Max. opening (1200x1500) and minimum distance



- Approval ETA-08/0213 of 11/04/2011
- Reaction to fire acc EN 13501-1
- Fire resistance test acc 1366-3
- Installation according to Hilti instructions

Sound Insulation for rigid wall

$D_{n,w} = 58 \text{ dB}$

$R_w = 50 \text{ dB}$



CONTENTS

Multiple in a rigid wall

ID

CAB-RW-MT-0183

FIRESTOP CUSHION

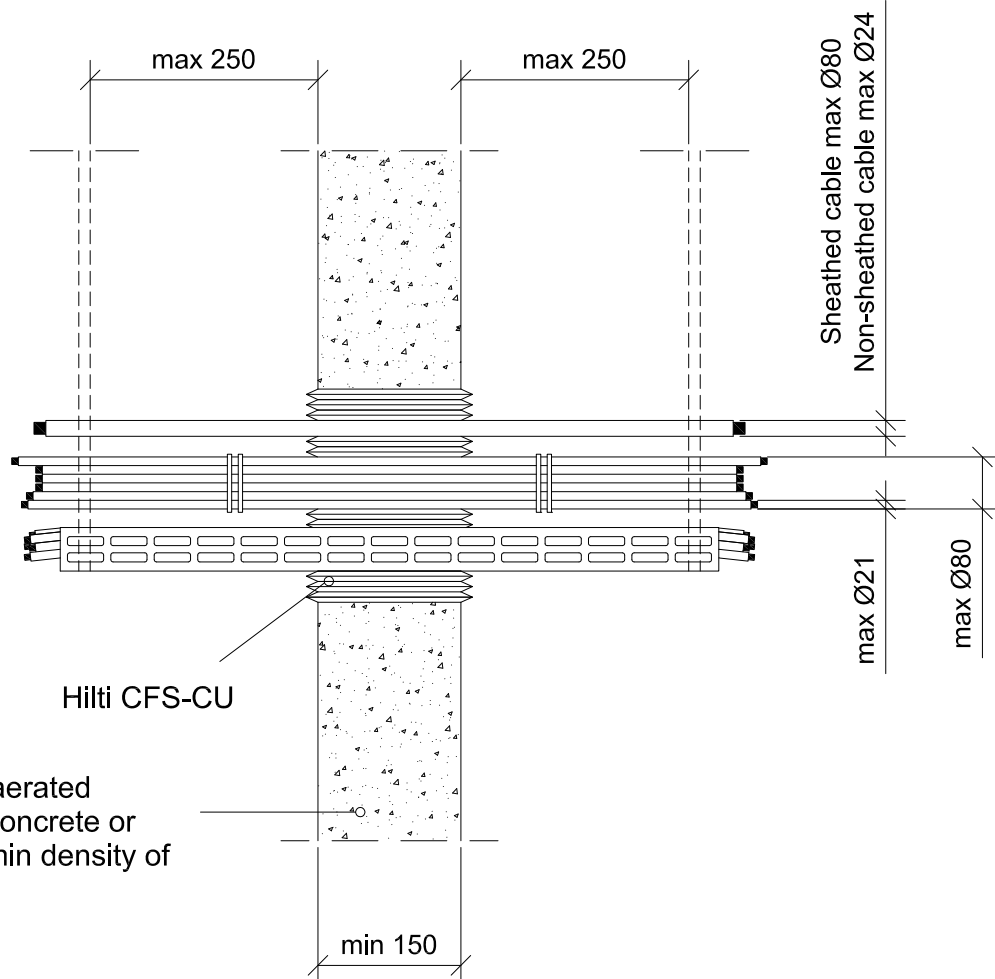
0183_01

REV
00

No scale

All units are in millimetres

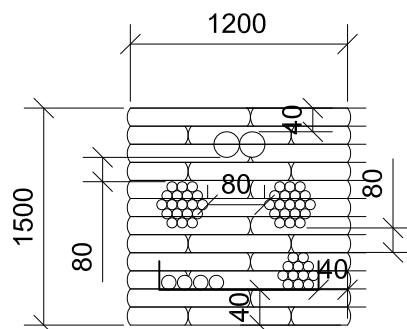
Fire Rating EI 60



Comprise aerated concrete, concrete or masonry. min density of 650 kg/m³

Max. opening (1200x1500) and minimum distance

- Approval ETA-08/0213 of 11/04/2011
- Reaction to fire acc EN 13501-1
- Fire resistance test acc 1366-3
- Installation according to Hilti instructions



Sound Insulation for rigid wall

$$D_{n,w} = 58 \text{ dB}$$

$$R_w = 50 \text{ dB}$$



CONTENTS

Single and cable bundles in a rigid floor

ID

CAB-RF-BD-0184

FIRESTOP CUSHION

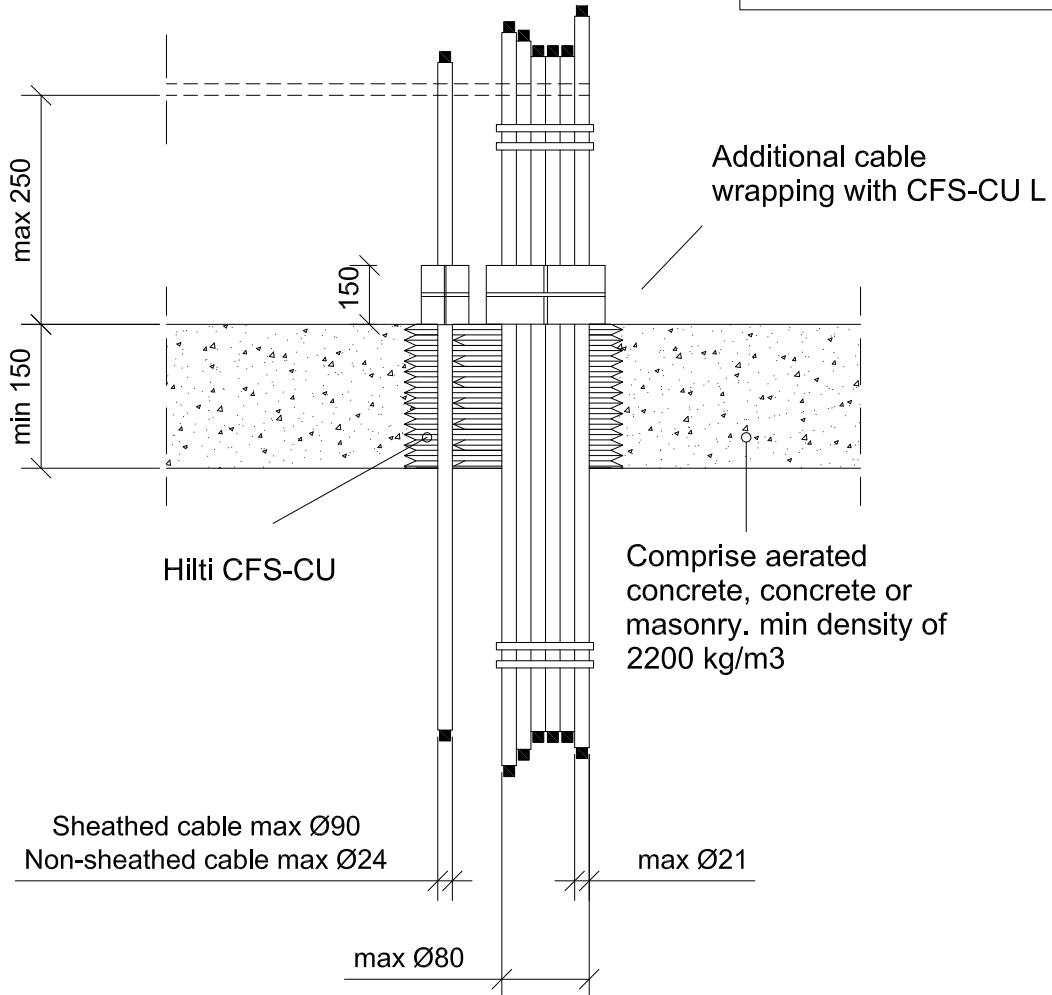
0184_01

REV 00

No scale

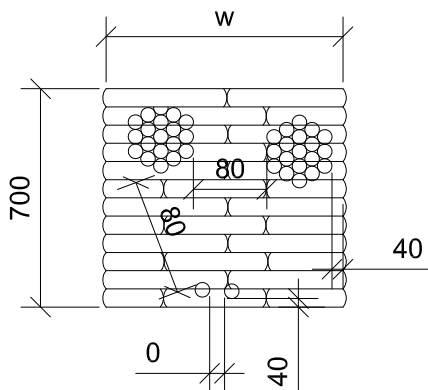
All units are in millimetres

Fire Rating EI 60



Max. opening up to 700mm wide and unlimited length and minimum distance

- Approval ETA-08/0213 of 11/04/2011
- Reaction to fire acc EN 13501-1
- Fire resistance test acc 1366-3
- Installation according to Hilti instructions



Sound Insulation for rigid floor

$$D_{n,w} = 58 \text{ dB}$$

$$R_w = 50 \text{ dB}$$



CONTENTS

Cable tray in a rigid floor

ID

CAB-RF-TR-0185

FIRESTOP CUSHION

0185_01

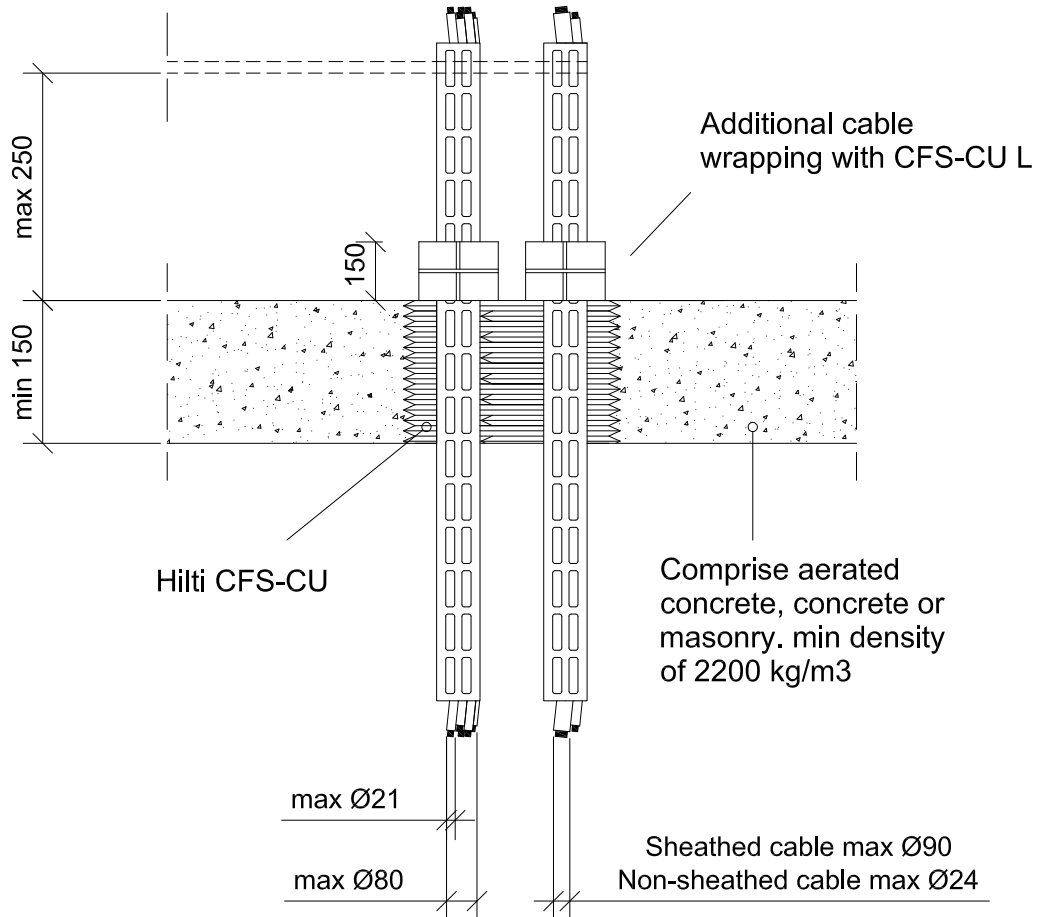
REV

00

No scale

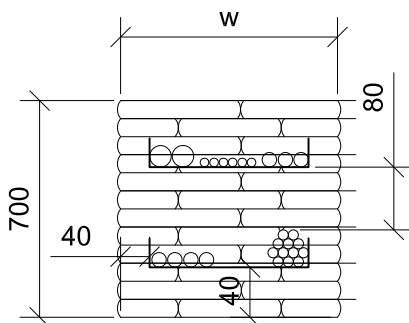
All units are in millimetres

Fire Rating EI 60



Max. opening up to 700mm wide and unlimited length and minimum distance

- Approval ETA-08/0213 of 11/04/2011
- Reaction to fire acc EN 13501-1
- Fire resistance test acc 1366-3
- Installation according to Hilti instructions



Sound Insulation for rigid floor

$$D_{n,w} = 58 \text{ dB}$$

$$R_w = 50 \text{ dB}$$



CONTENTS

Multiple in a rigid floor

ID

CAB-RF-MT-0186

FIRESTOP CUSHION

0186_01

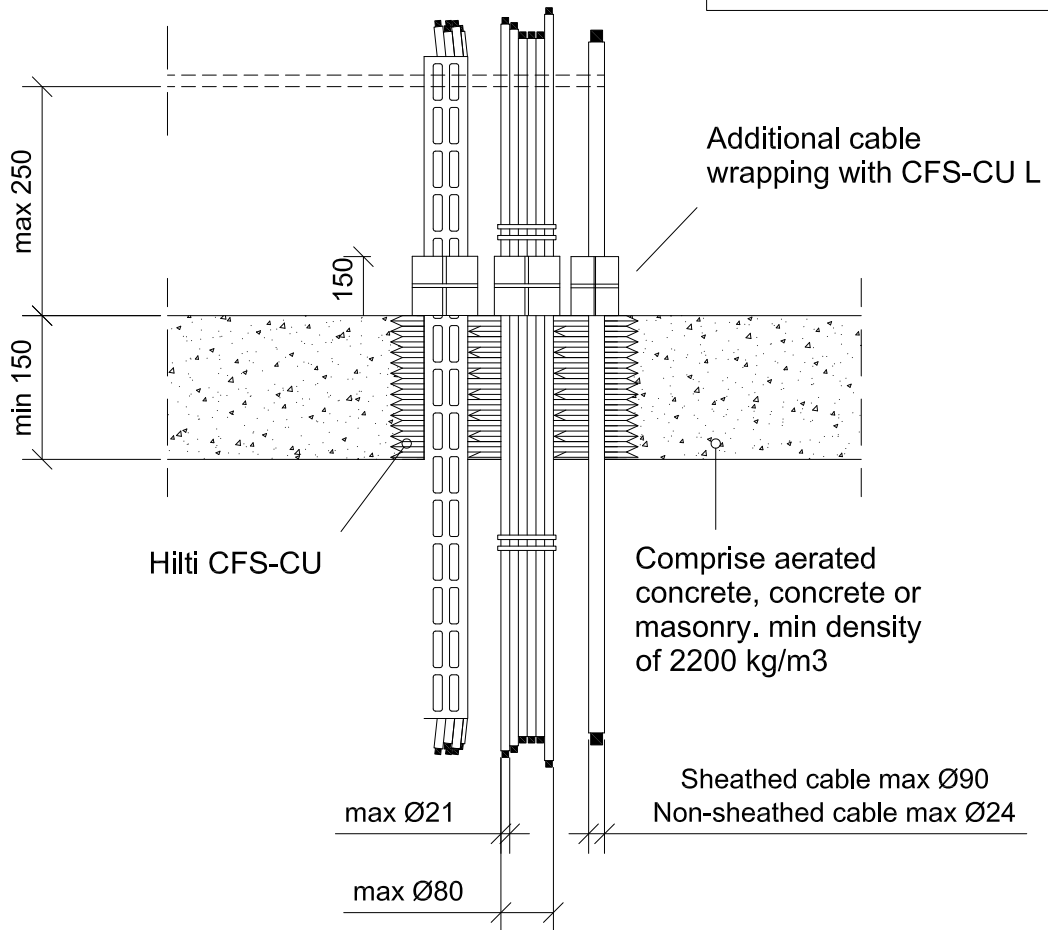
REV

00

No scale

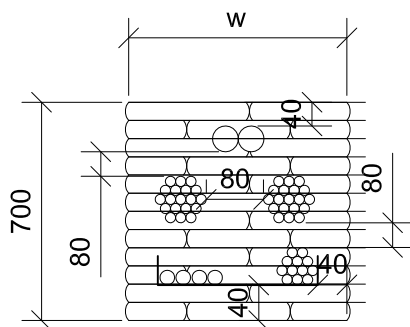
All units are in millimetres

Fire Rating EI 60



Max. opening up to 700mm wide and unlimited length and minimum distance

- Approval ETA-08/0213 of 11/04/2011
- Reaction to fire acc EN 13501-1
- Fire resistance test acc 1366-3
- Installation according to Hilti instructions



Sound Insulation for rigid floor

$$D_{n,w} = 58 \text{ dB}$$

$$R_w = 50 \text{ dB}$$



CONTENTS

Single and cable bundles in a rigid floor

ID

CAB-RF-BD-0187

FIRESTOP CUSHION

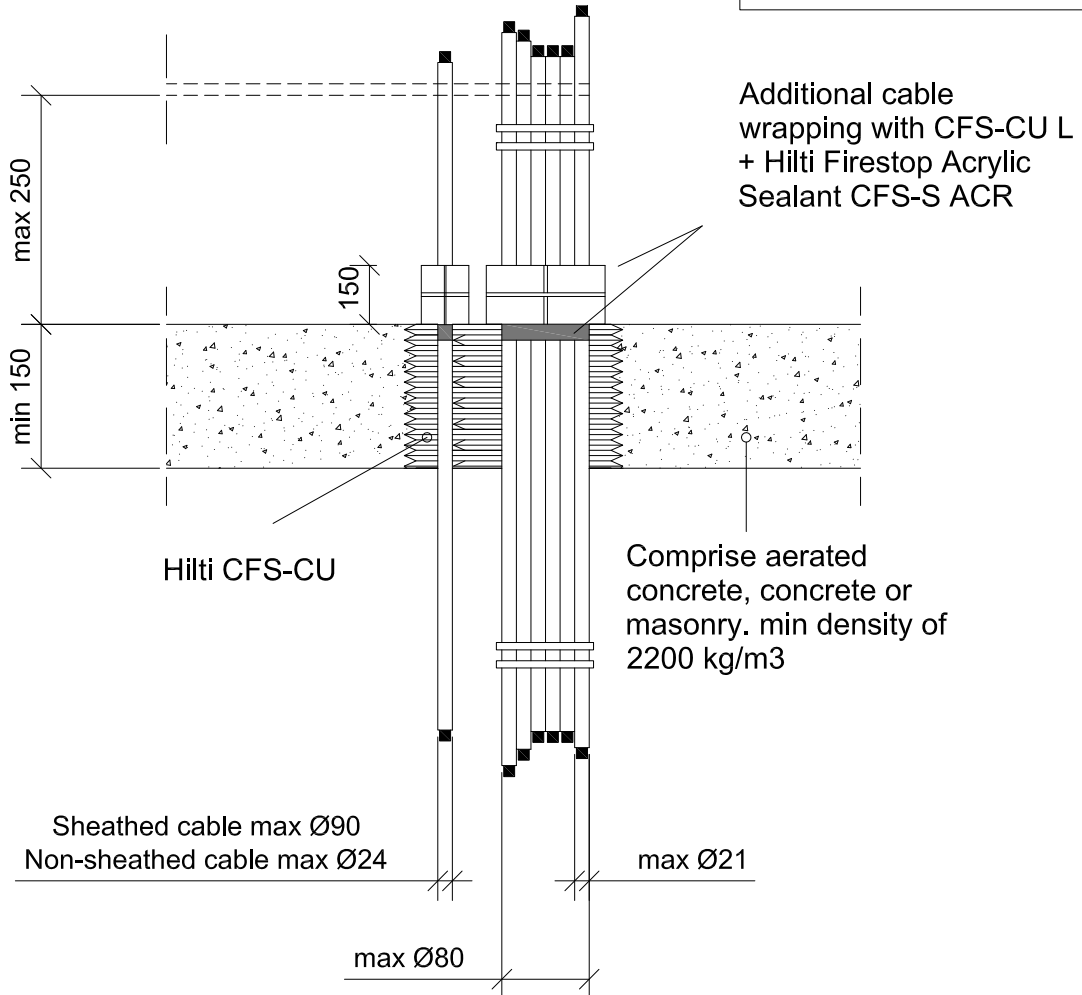
0187_01

REV 00

No scale

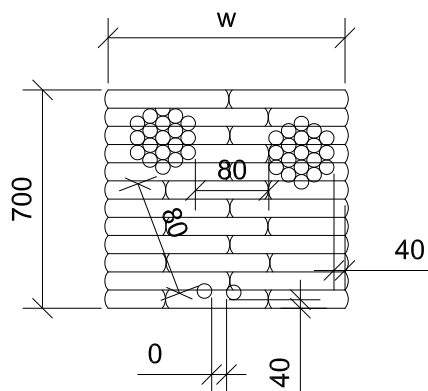
All units are in millimetres

Fire Rating EI 90



Max. opening up to 700mm wide and unlimited length and minimum distance

- Approval ETA-08/0213 of 11/04/2011
- Reaction to fire acc EN 13501-1
- Fire resistance test acc 1366-3
- Installation according to Hilti instructions



Sound Insulation for rigid floor

$$D_{n,w} = 58 \text{ dB}$$

$$R_w = 50 \text{ dB}$$



CONTENTS

Cable tray in a rigid floor

ID

CAB-RF-TR-0188

FIRESTOP CUSHION

0188_01

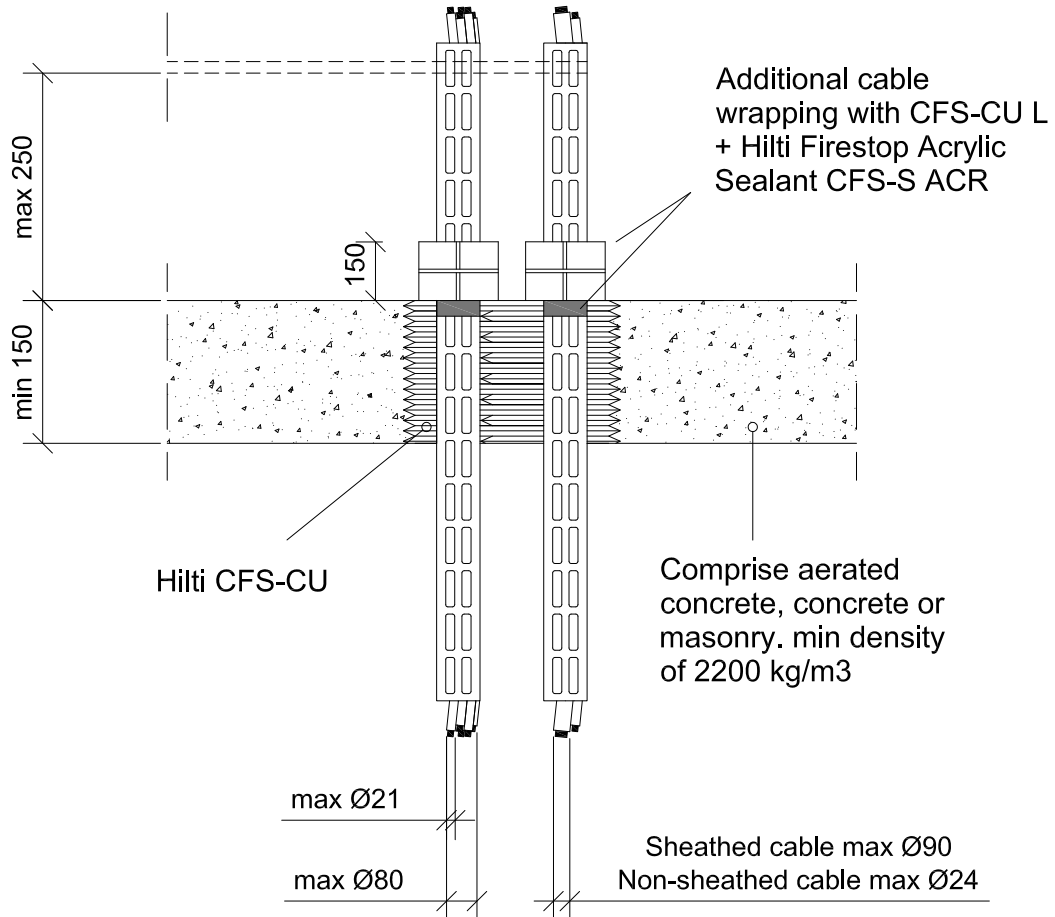
REV

00

No scale

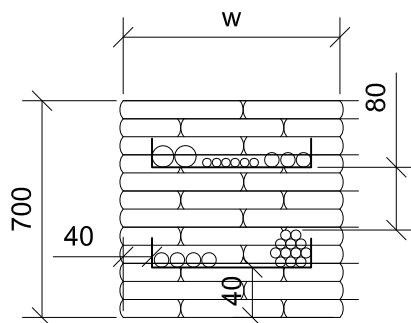
All units are in millimetres

Fire Rating EI 90



Max. opening up to 700mm wide and unlimited length and minimum distance

- Approval ETA-08/0213 of 11/04/2011
- Reaction to fire acc EN 13501-1
- Fire resistance test acc 1366-3
- Installation according to Hilti instructions



Sound Insulation for rigid floor

$$D_{n,w} = 58 \text{ dB}$$

$$R_w = 50 \text{ dB}$$



CONTENTS

Multiple in a rigid floor

ID

CAB-RF-MT-0189

FIRESTOP CUSHION

0189_01

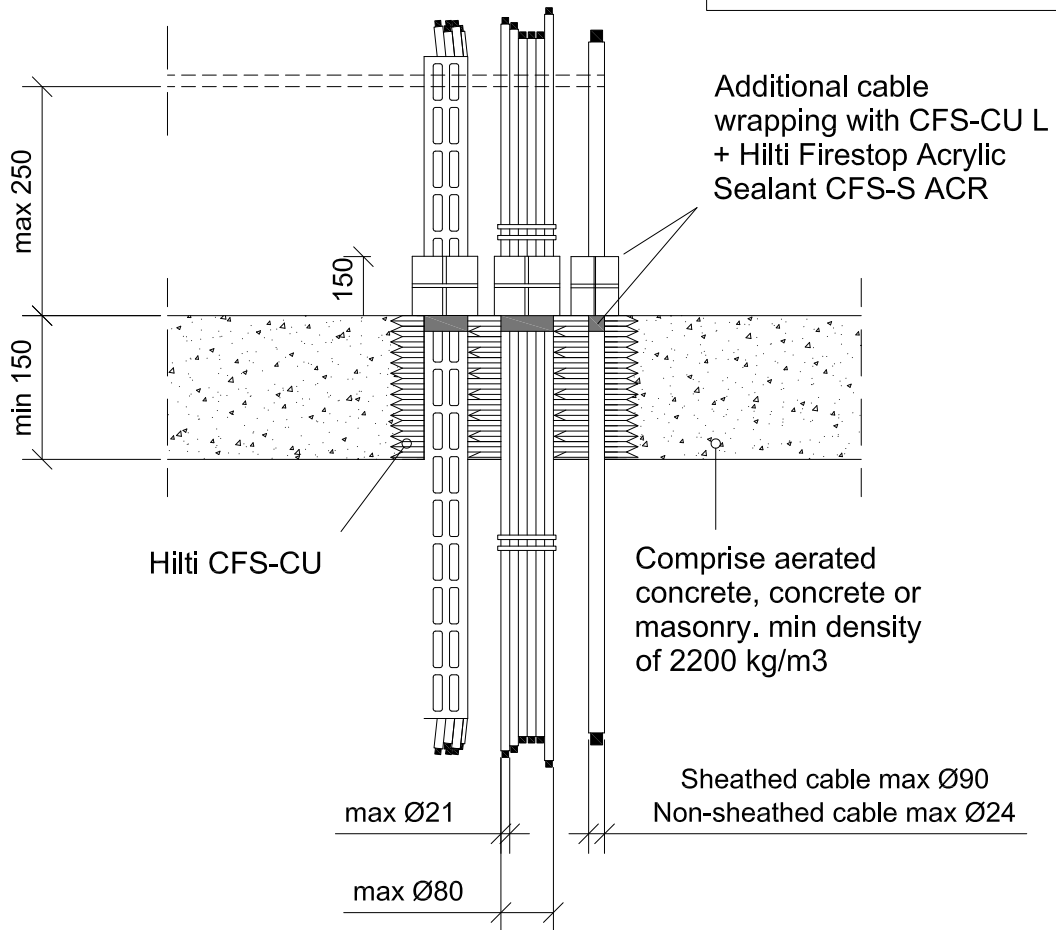
REV

00

No scale

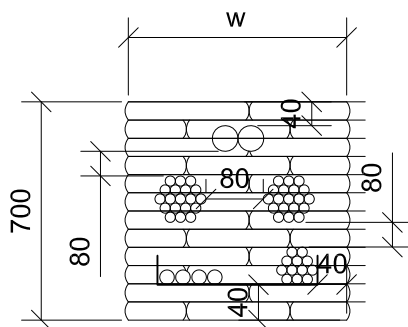
All units are in millimetres

Fire Rating EI 90



Max. opening up to 700mm wide and unlimited length and minimum distance

- Approval ETA-08/0213 of 11/04/2011
- Reaction to fire acc EN 13501-1
- Fire resistance test acc 1366-3
- Installation according to Hilti instructions



Sound Insulation for rigid floor

$$D_{n,w} = 58 \text{ dB}$$

$$R_w = 50 \text{ dB}$$



CONTENTS

Single cables in a rigid floor

ID

CAB-RF-SG-0190

FIRESTOP CUSHION

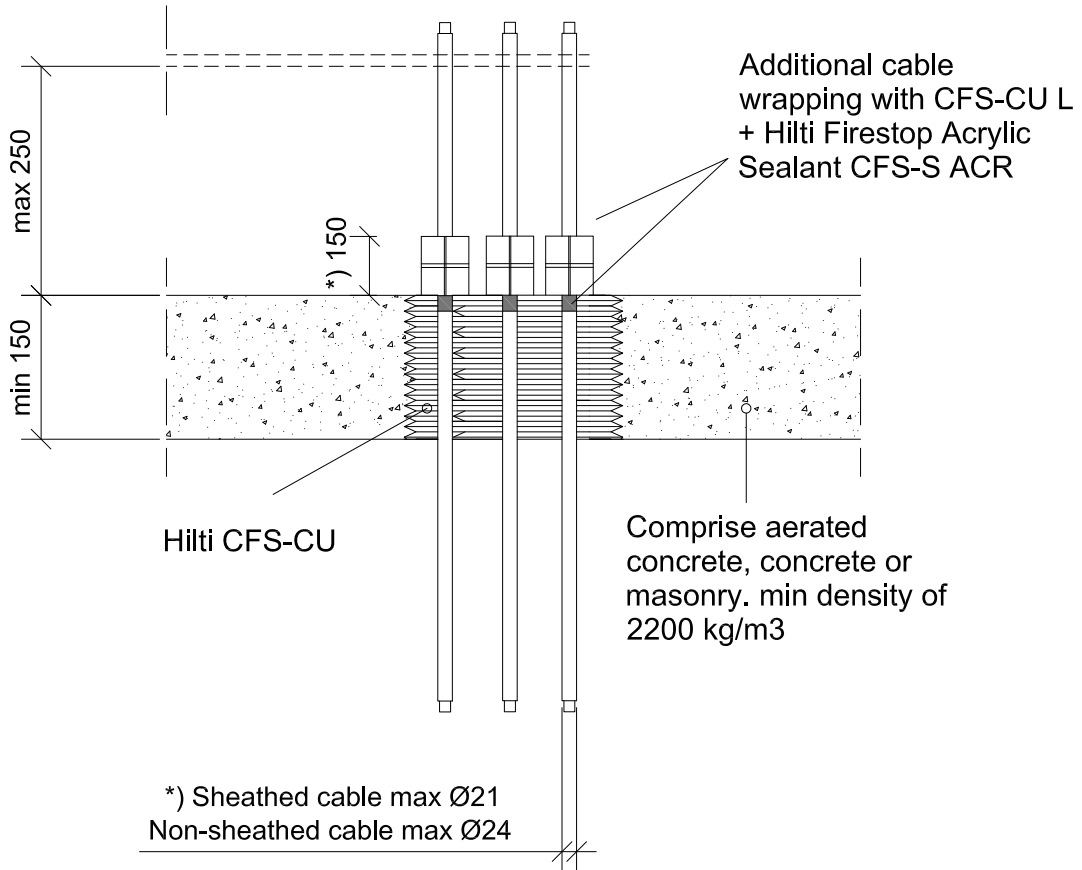
0190_01

REV
00

No scale

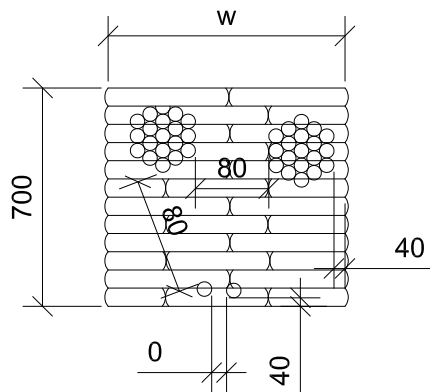
All units are in millimetres

Fire Rating EI 120



Max. opening up to 700mm wide and unlimited length and minimum distance

*) With l=300 mm, Sheathed cable max Ø90



- Approval ETA-08/0213 of 11/04/2011
- Reaction to fire acc EN 13501-1
- Fire resistance test acc 1366-3
- Installation according to Hilti instructions

Sound Insulation for rigid floor

$D_{n,w} = 58 \text{ dB}$

$R_w = 50 \text{ dB}$



CONTENTS

Multiple in a rigid floor

ID

CAB-RF-MT-0192

FIRESTOP CUSHION

0192_01

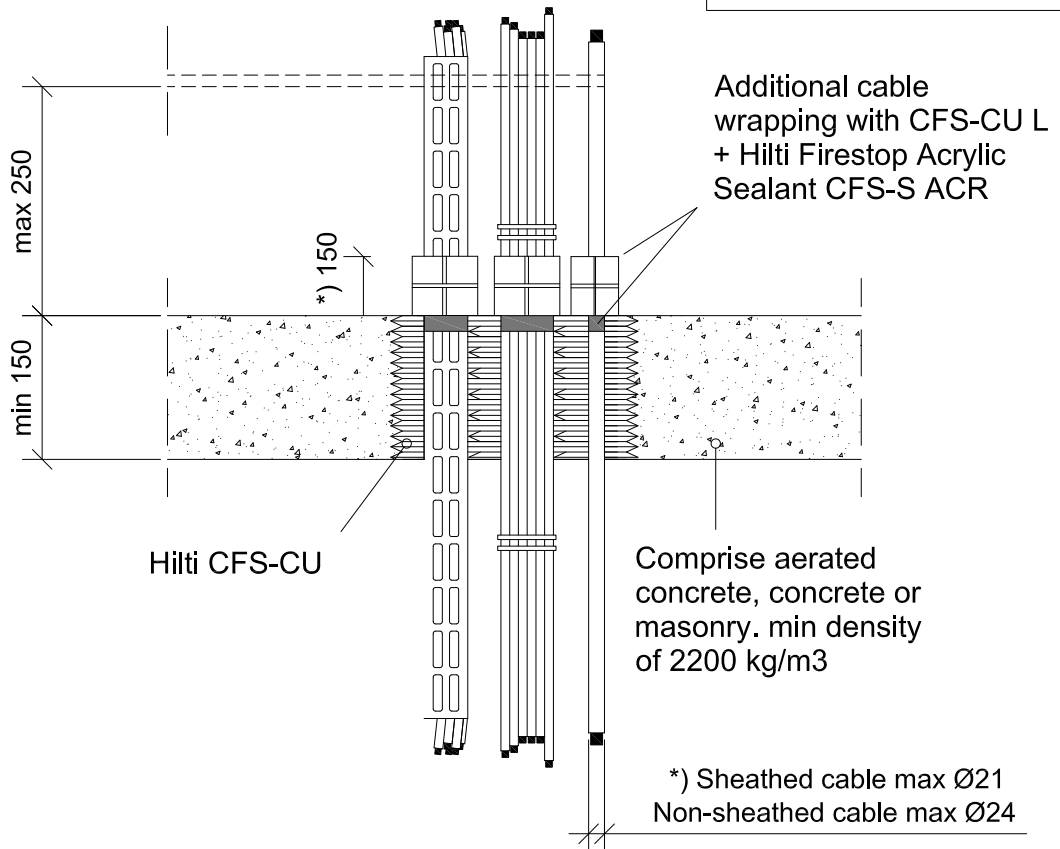
REV

00

No scale

All units are in millimetres

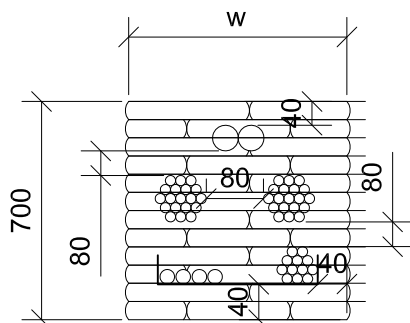
Fire Rating EI 120



*) With l=300 mm, Sheathed cable max Ø90

Max. opening up to 700mm wide and unlimited length and minimum distance

- Approval ETA-08/0213 of 11/04/2011
- Reaction to fire acc EN 13501-1
- Fire resistance test acc 1366-3
- Installation according to Hilti instructions



Sound Insulation for rigid floor

$D_{n,w} = 58 \text{ dB}$

$R_w = 50 \text{ dB}$



CONTENTS

Cable tray in a rigid floor

ID

CAB-RF-TR-0191

FIRESTOP CUSHION

0191_01

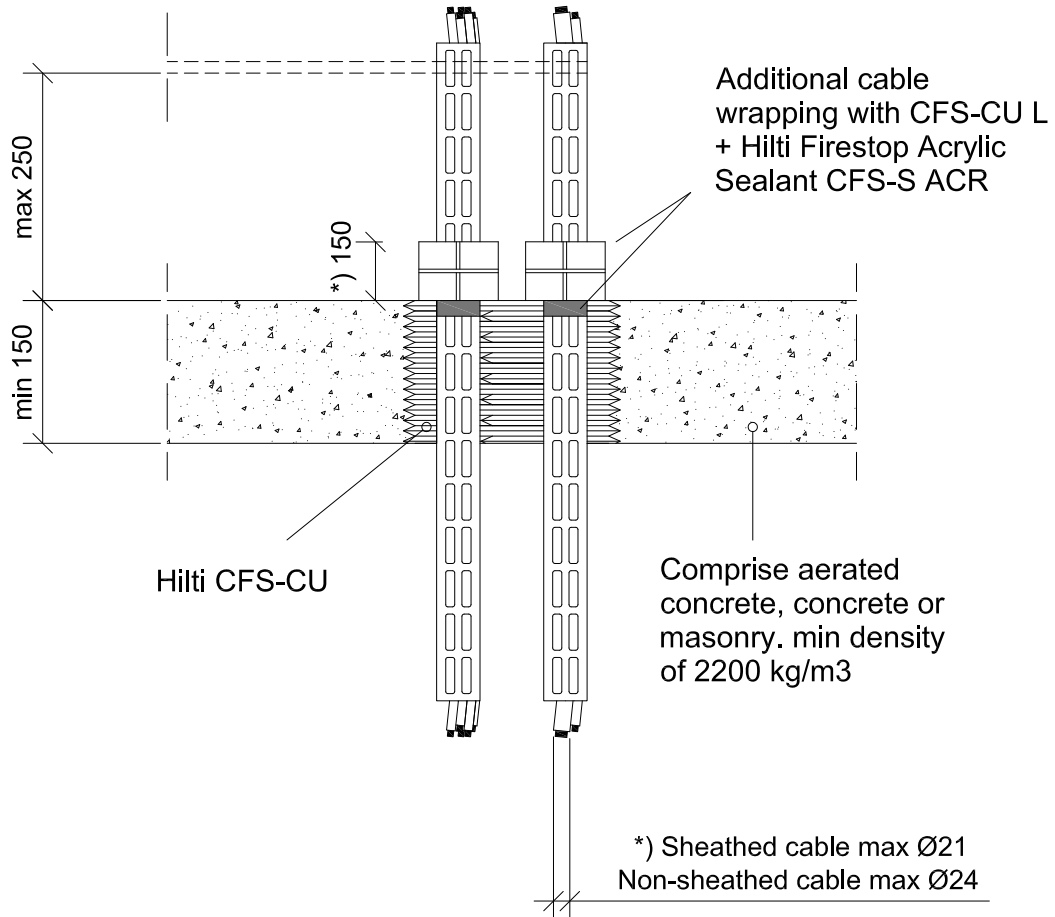
REV

00

No scale

All units are in millimetres

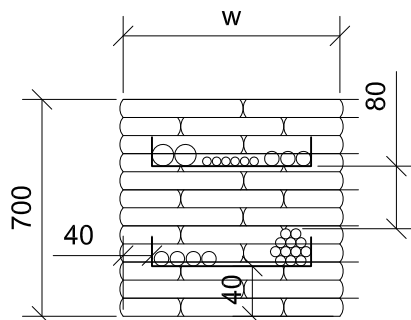
Fire Rating EI 120



*) With I=300 mm, Sheathed cable max Ø90

Max. opening up to 700mm wide and unlimited length and minimum distance

- Approval ETA-08/0213 of 11/04/2011
- Reaction to fire acc EN 13501-1
- Fire resistance test acc 1366-3
- Installation according to Hilti instructions



Sound Insulation for rigid floor

$D_{n,w} = 58 \text{ dB}$

$R_w = 50 \text{ dB}$