

Schémas d'application pour la mousse coupe-feu CFS-F FX



Applications chemins de câbles

- Application en cloison épaisseur 150 mm (dimensions maximum de l'ouverture 600 x 600 ou Ø 600) CAB-FW-TR-0070/73
- Application en cloison épaisseur 200 mm (dimensions maximum de l'ouverture 400 x 400 ou Ø 400) CAB-FW-TR-0076
- Application en cloison épaisseur 200 mm (dimensions maximum de l'ouverture 600 x 600 ou Ø 600) CAB-FW-TR-0079
- Application en voile rigide épaisseur 150 mm (dimensions maximum de l'ouverture 600 x 600 ou Ø 600) CAB-RW-TR-0085/88
- Application en voile rigide épaisseur 200 mm (dimensions maximum de l'ouverture 400 x 400 ou Ø 400) CAB-RW-TR-009/94
- Application en dalle rigide épaisseur 150 mm (dimensions maximum de l'ouverture 400 x 400 ou Ø 400) CAB-RF-TR-0100
- Application en dalle rigide épaisseur 200 mm (dimensions maximum de l'ouverture 400 x 400 ou Ø 400) CAB-RF-TR-0103/106

*) Tous les schémas sont également disponibles sur demande en format DWG pour faciliter l'insertion sur des plans.



CONTENTS

Cable trays in a flexible wall

ID

CAB-FW-TR-0070

FIRESTOP FOAM

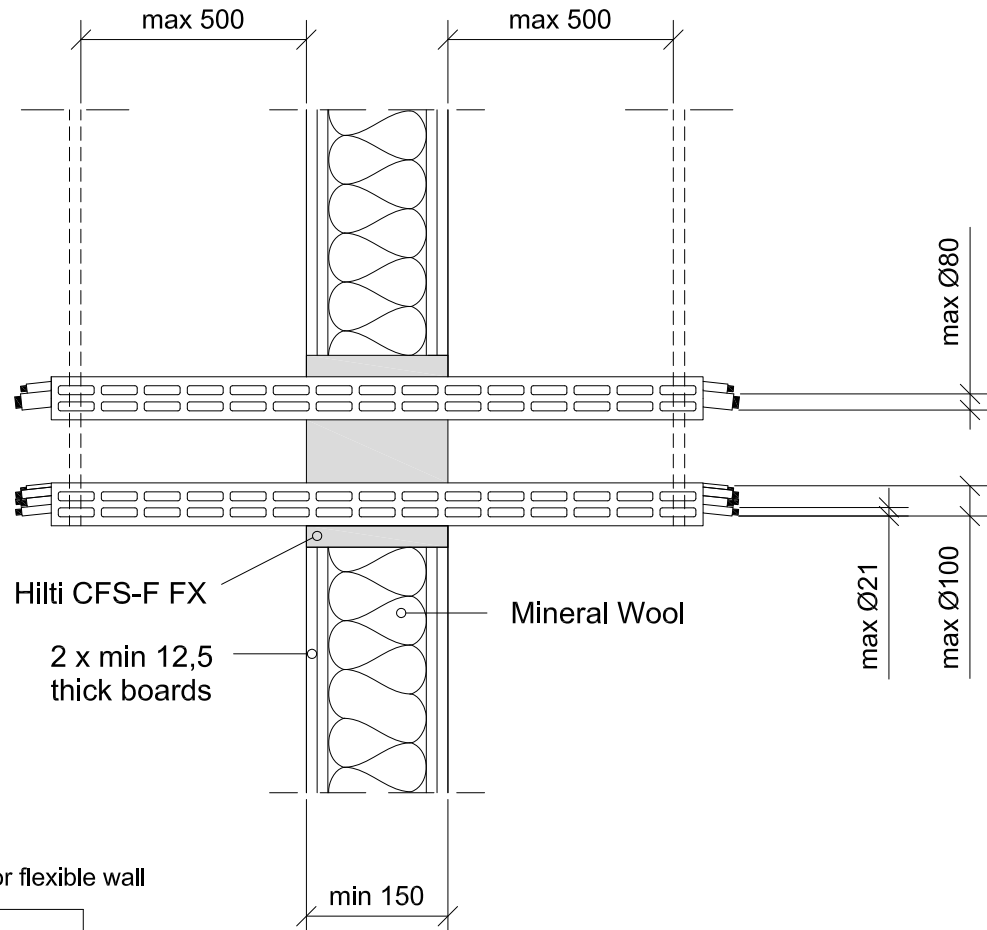
0070_01

REV
00

No scale

All units are in millimetres

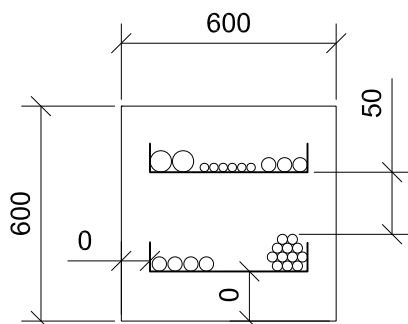
Fire Rating EI 60



Sound Insulation for flexible wall

$$D_{n,w} = 69 \text{ dB}$$

$$R_w = 61 \text{ dB}$$



- Approval ETA-10/0109 of 11/04/2014
- Reaction to fire acc EN 13501-1
- Fire resistance test acc 1366-3
- Installation according to Hilti instructions

Max. opening 600x600 or Ø 600 mm

Total amount of services(including insulation) is equal or lower than 60 % of the penetration surface.



CONTENTS

Cable trays in a flexible wall

ID

CAB-FW-TR-0073

FIRESTOP FOAM

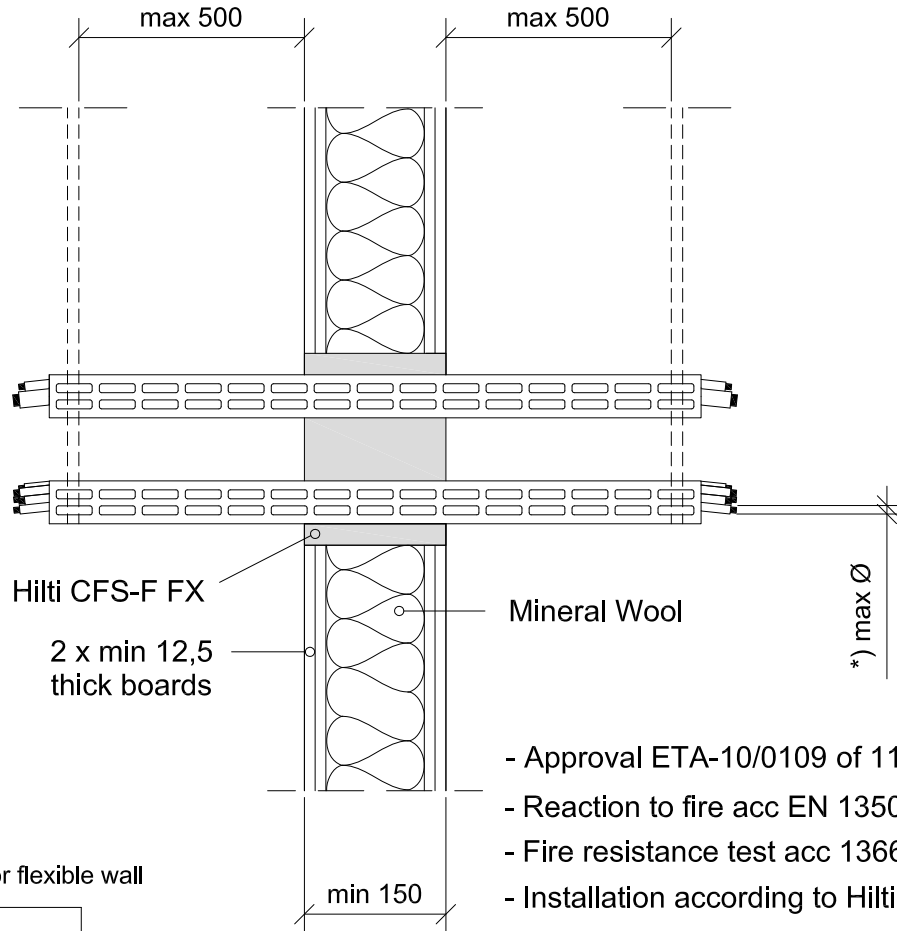
0073_01

REV
00

No scale

All units are in millimetres

Fire Rating EI 90



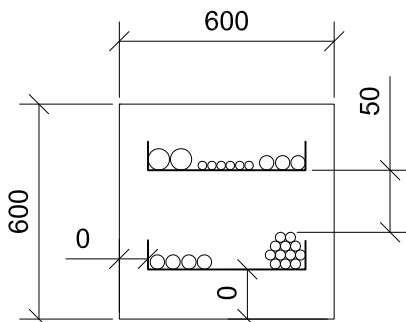
Sound Insulation for flexible wall

$D_{n,w} = 69 \text{ dB}$

$R_w = 61 \text{ dB}$

*) Type and Ø cables

Ø max single sheathed core cable	21
Ø max single multi-core halogen free cables acc HD 604.5	50
Ø max single multi-core rubber cables acc HD 22.4	80



Max. opening 600x600 or Ø 600 mm

Total amount of services (including insulation) is equal or lower than 60 % of the penetration surface.



CONTENTS

Cable trays in a flexible wall

ID

CAB-FW-TR-0076

FIRESTOP FOAM

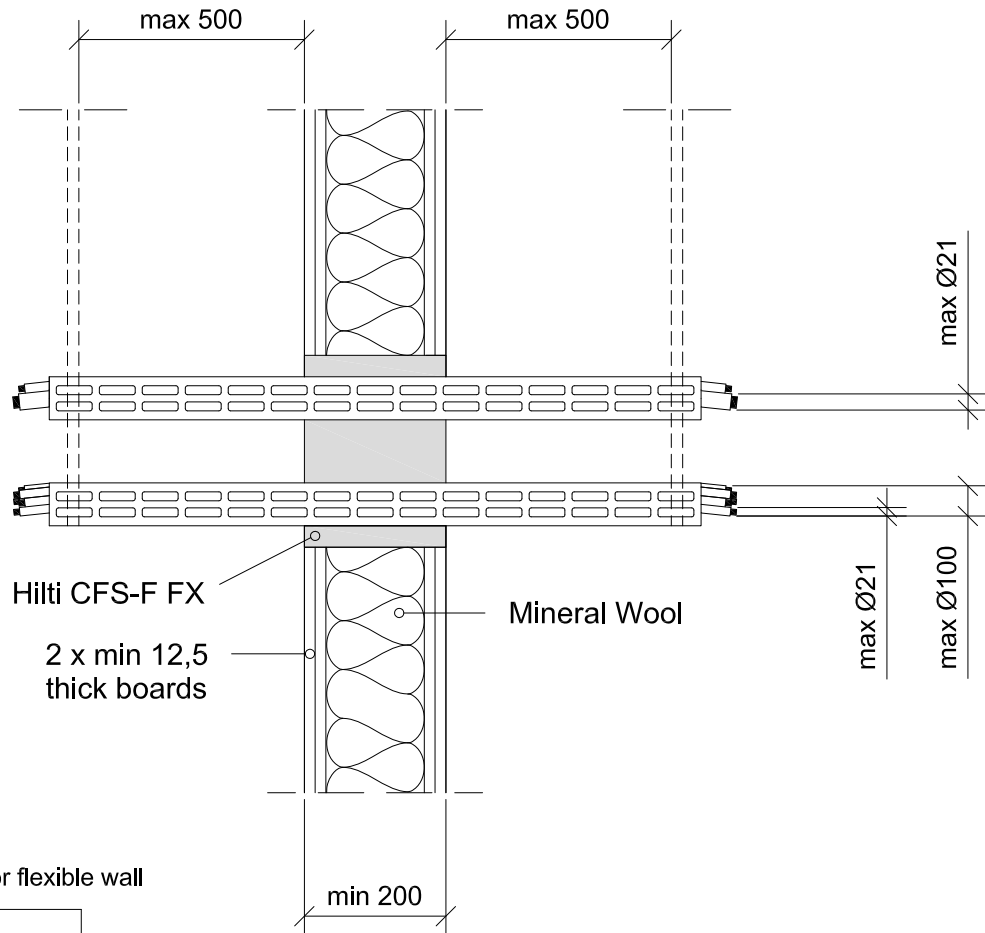
0076_01

REV
00

No scale

All units are in millimetres

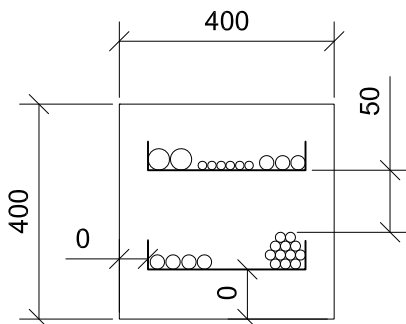
Fire Rating EI 120



Sound Insulation for flexible wall

$D_{n,w} = 69 \text{ dB}$

$R_w = 61 \text{ dB}$



- Approval ETA-10/0109 of 11/04/2014
- Reaction to fire acc EN 13501-1
- Fire resistance test acc 1366-3
- Installation according to Hilti instructions

Max. opening 400x400 or \varnothing 400 mm

Total amount of services(including insulation) is equal or lower than 60 % of the penetration surface.



CONTENTS

Cable trays in a flexible wall

ID

CAB-FW-TR-0079

FIRESTOP FOAM

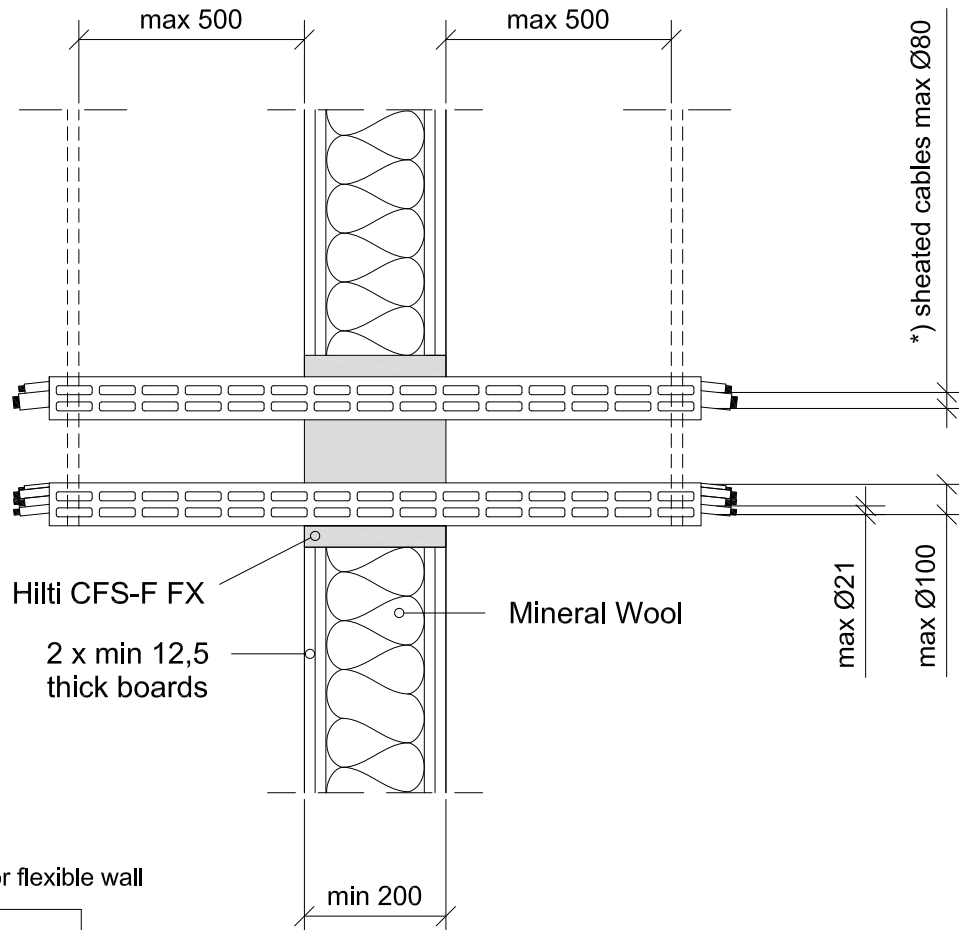
0079_01

REV
00

No scale

All units are in millimetres

Fire Rating EI 90



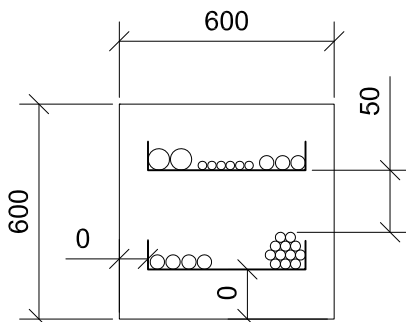
Sound Insulation for flexible wall

$$D_{n,w} = 69 \text{ dB}$$

$$R_w = 61 \text{ dB}$$

*) Valid also for all sheathed single core cables (max Ø21) and non sheathed cables (max Ø24)

- Approval ETA-10/0109 of 11/04/2014
- Reaction to fire acc EN 13501-1
- Fire resistance test acc 1366-3
- Installation according to Hilti instructions



Max. opening 600x600 or Ø 600 mm

Total amount of services(including insulation) is equal or lower than 60 % of the penetration surface.



CONTENTS

Cable trays in a rigid wall

ID

CAB-RW-TR-0085

FIRESTOP FOAM

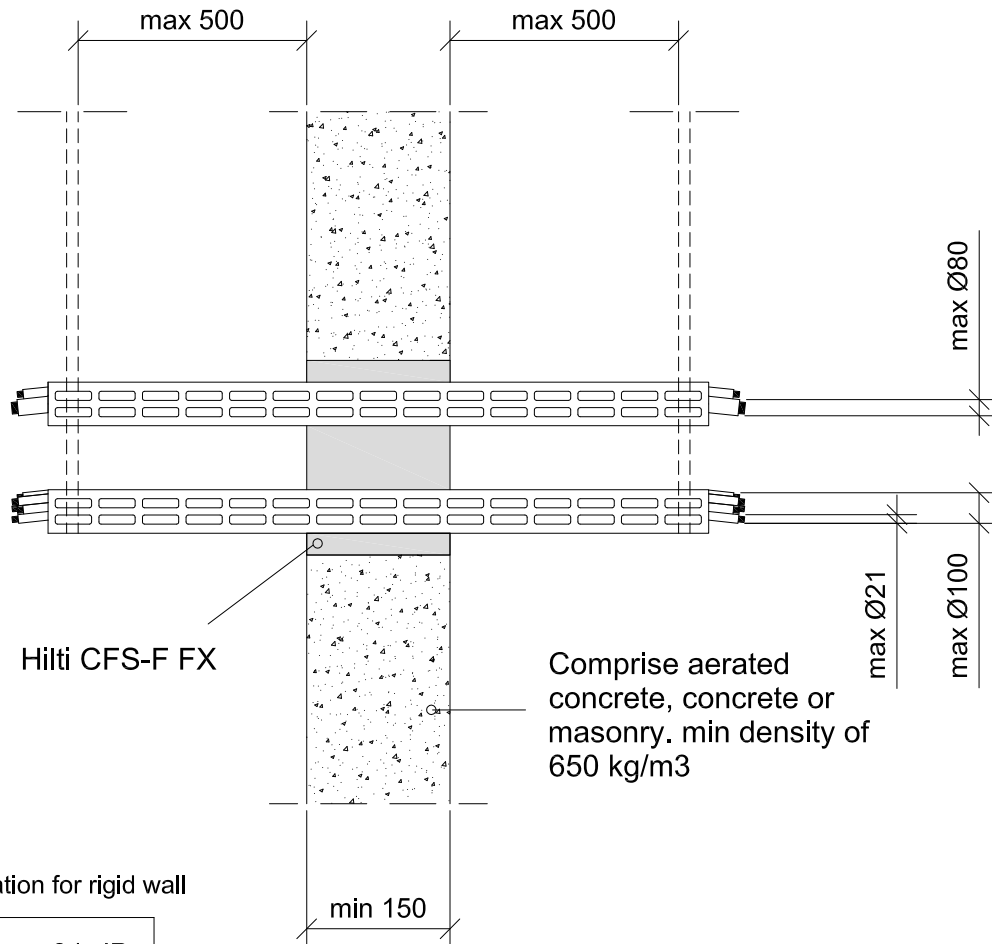
0085_01

REV
00

No scale

All units are in millimetres

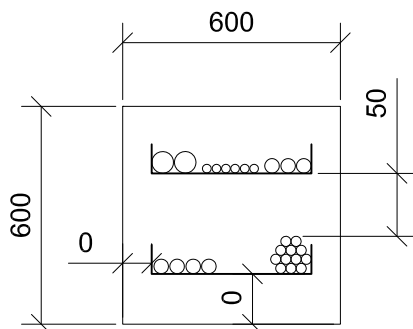
Fire Rating EI 60



Sound Insulation for rigid wall

$$D_{n,w} = 61 \text{ dB}$$

$$R_w = 69 \text{ dB}$$



- Approval ETA-10/0109 of 11/04/2014
- Reaction to fire acc EN 13501-1
- Fire resistance test acc 1366-3
- Installation according to Hilti instructions

Max. opening 600x600 or Ø 600 mm

Total amount of services (including insulation) is equal or lower than 60 % of the penetration surface.



CONTENTS

Cable trays in a rigid wall

ID

CAB-RW-TR-0088

FIRESTOP FOAM

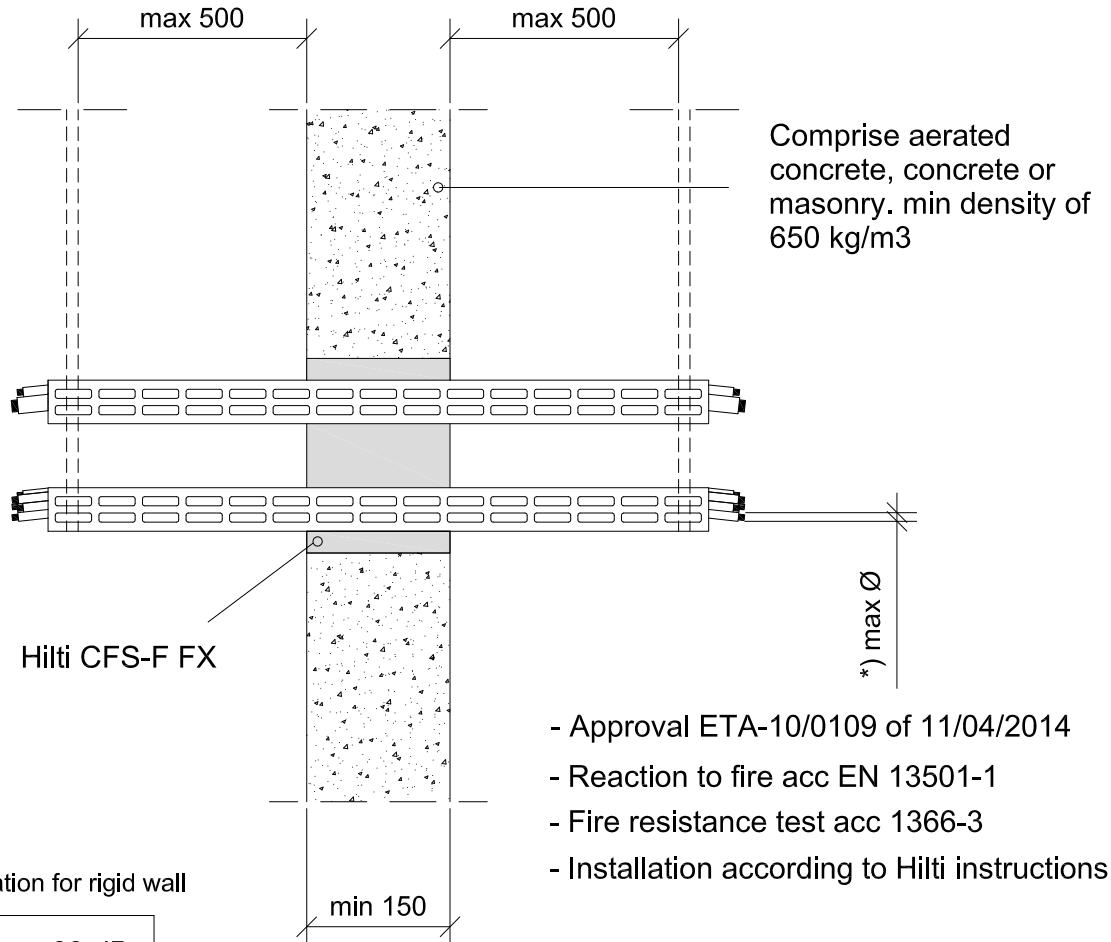
0088_01

REV
00

No scale

All units are in millimetres

Fire Rating EI 90

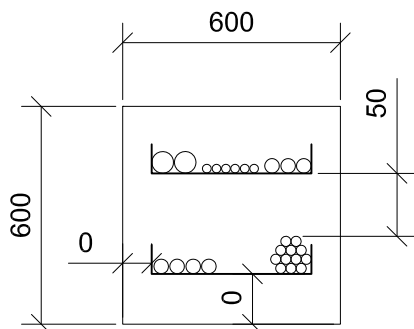


Sound Insulation for rigid wall

$D_{n,w}$	= 69 dB
R_w	= 61 dB

*) Type and Ø cables

Ø max single sheathed core cable	21
Ø max single multi-core halogen free cables acc HD 604.5	50
Ø max single multi-core rubber cables acc HD 22.4	80



Max. opening 600x600 or Ø 600 mm

Total amount of services (including insulation) is equal or lower than 60 % of the penetration surface.



CONTENTS

Cable trays in a rigid wall

ID

CAB-RW-TR-0091

FIRESTOP FOAM

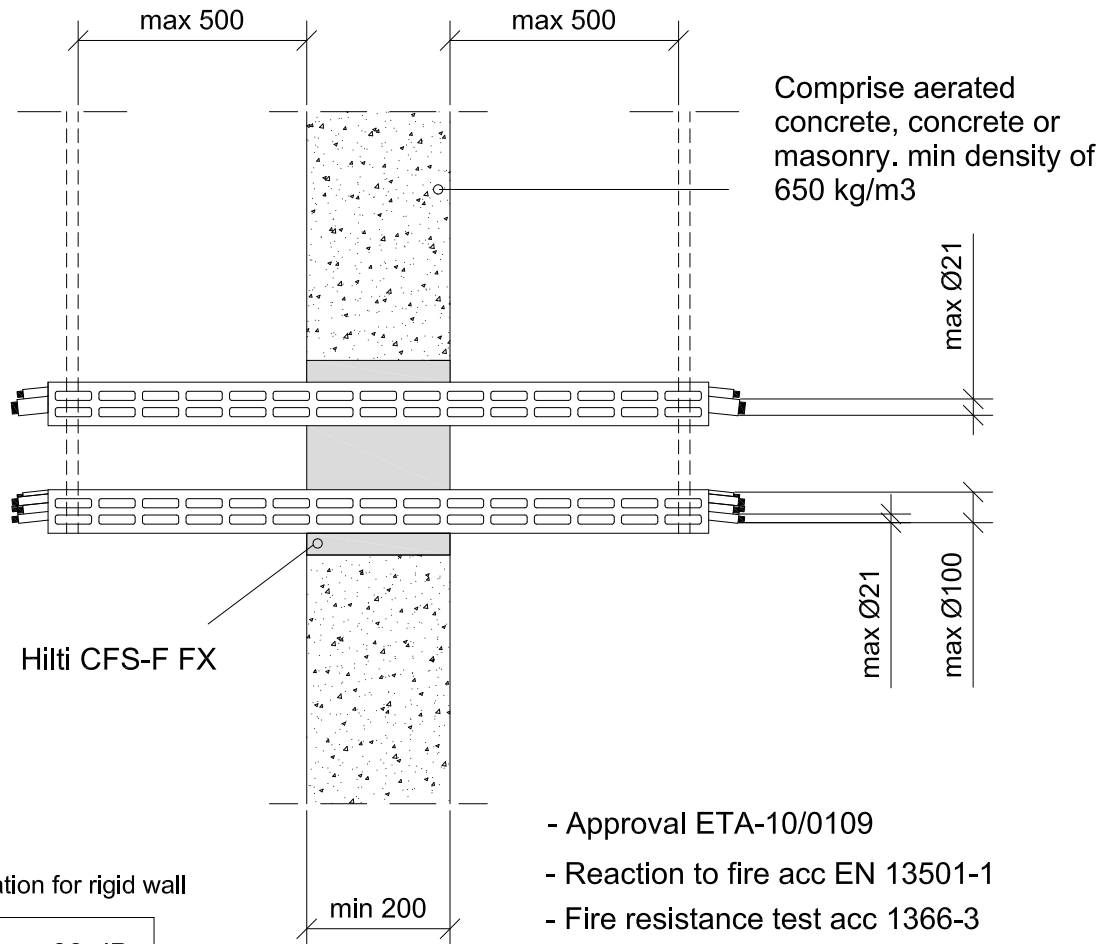
0091_01

REV
00

No scale

All units are in millimetres

Fire Rating EI 120



Hilti CFS-F FX

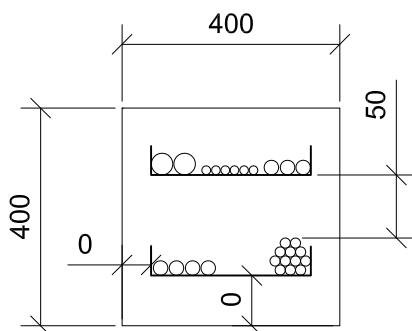
Sound Insulation for rigid wall

$$D_{n,w} = 69 \text{ dB}$$

$$R_w = 61 \text{ dB}$$

- Approval ETA-10/0109
- Reaction to fire acc EN 13501-1
- Fire resistance test acc 1366-3
- Installation according to Hilti instructions

- Approval ETA-10/0109 of 11/04/2014
- Reaction to fire acc EN 13501-1
- Fire resistance test acc 1366-3
- Installation according to Hilti instructions



Max. opening 400x400 or Ø 400 mm

Total amount of services (including insulation) is equal or lower than 60 % of the penetration surface.



CONTENTS

Cable trays in a rigid wall

ID

CAB-RW-TR-0094

FIRESTOP FOAM

0094_01

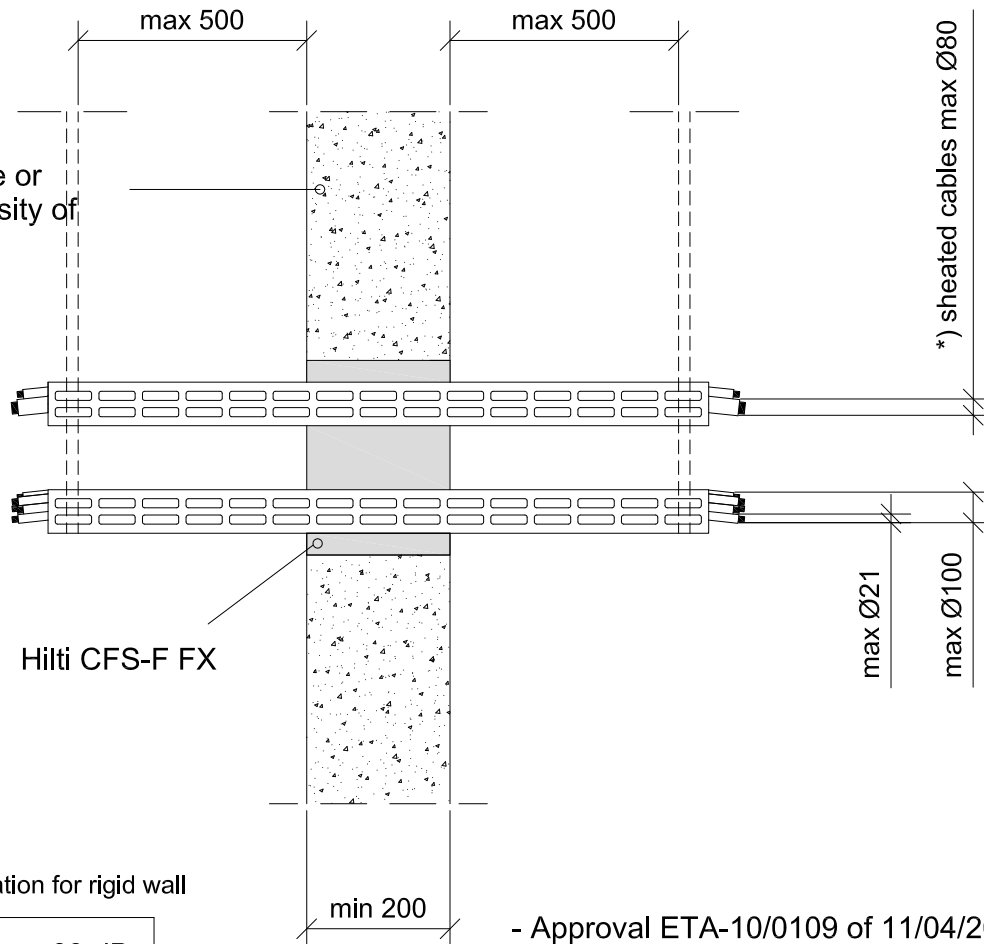
REV 00

No scale

All units are in millimetres

Fire Rating EI 90

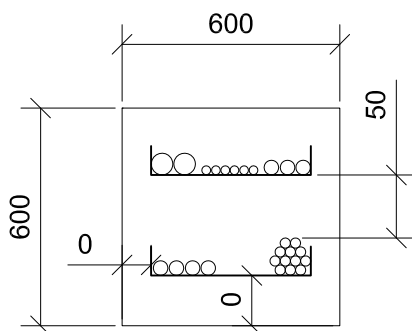
Comprise aerated concrete, concrete or masonry. min density of 650 kg/m³



Sound Insulation for rigid wall

$D_{n,w}$	= 69 dB
R_w	= 61 dB

- Approval ETA-10/0109 of 11/04/2014
- Reaction to fire acc EN 13501-1
- Fire resistance test acc 1366-3
- Installation according to Hilti instructions



*) Valid also for all sheathed single core cables (max Ø21) and non sheathed cables (max Ø24)

Max. opening 600x600 or Ø 600 mm

Total amount of services (including insulation) is equal or lower than 60 % of the penetration surface.



CONTENTS

Cable tray in a rigid floor

ID

CAB-RF-TR-0100

FIRESTOP FOAM

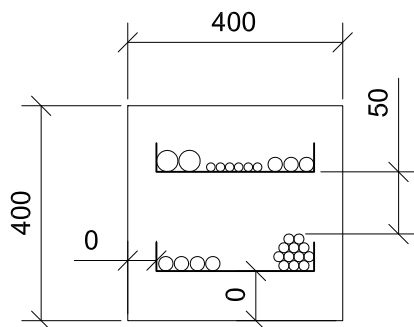
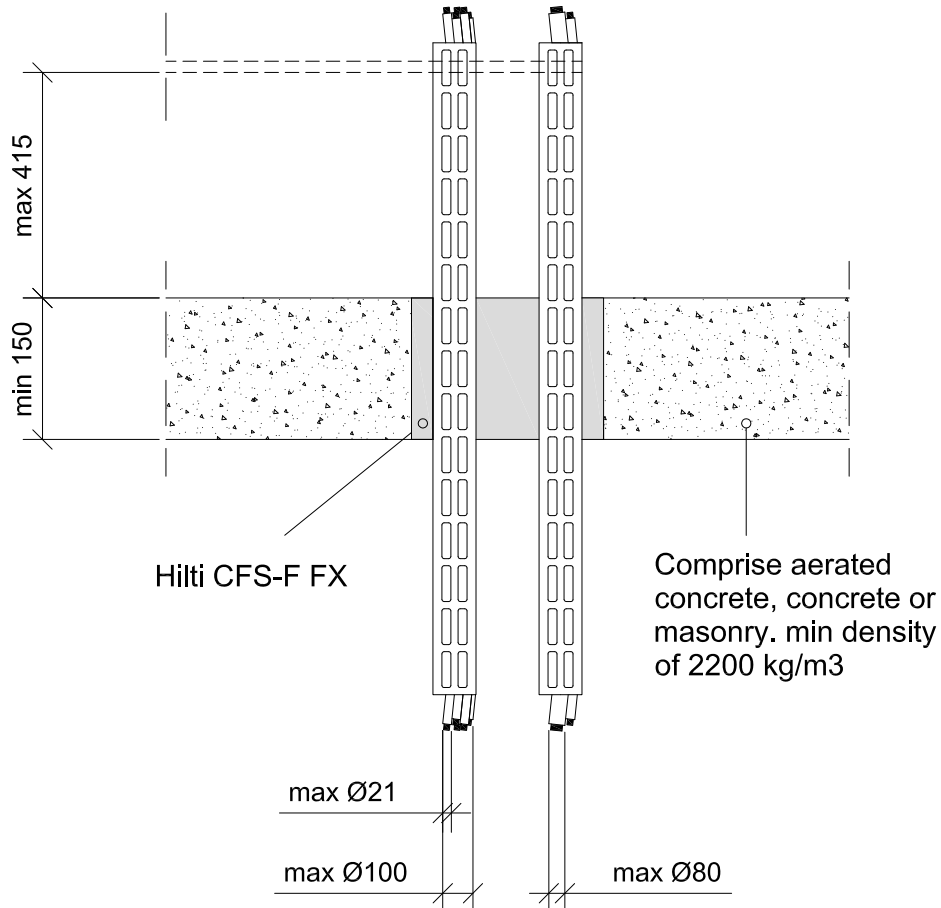
0100_01

REV
00

No scale

All units are in milimetres

Fire Rating EI 60



- Approval ETA-10/0109 of 11/04/2014
- Reaction to fire acc EN 13501-1
- Fire resistance test acc 1366-3
- Installation according to Hilti instructions

Max. opening 400x400 or \varnothing 400 mm

Total amount of services(including insulation) is equal or lower than 60 % of the penetration surface.



CONTENTS

Cable tray in a rigid floor

ID

CAB-RF-TR-0103

FIRESTOP FOAM

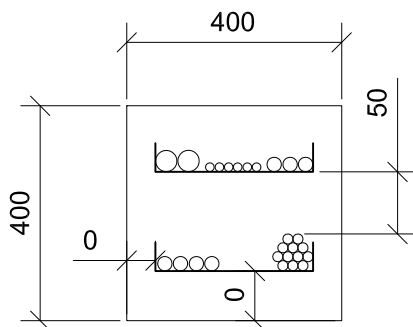
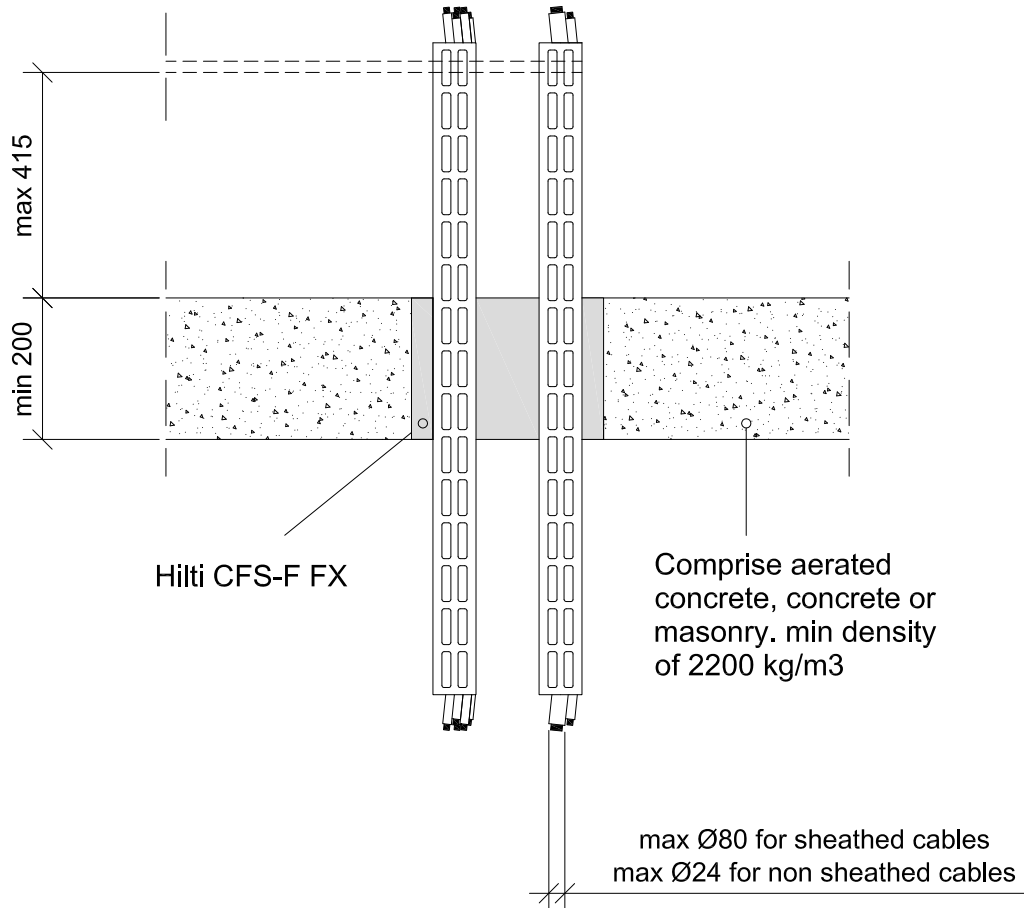
0103_01

REV
00

No scale

All units are in millimetres

Fire Rating EI 90



- Approval ETA-10/0109 of 11/04/2014
- Reaction to fire acc EN 13501-1
- Fire resistance test acc 1366-3
- Installation according to Hilti instructions

Max. opening 400x400 or Ø 400 mm
Total amount of services(including insulation) is equal or lower than 60 % of the penetration surface.



CONTENTS

Cable tray in a rigid floor

ID

CAB-RF-TR-0106

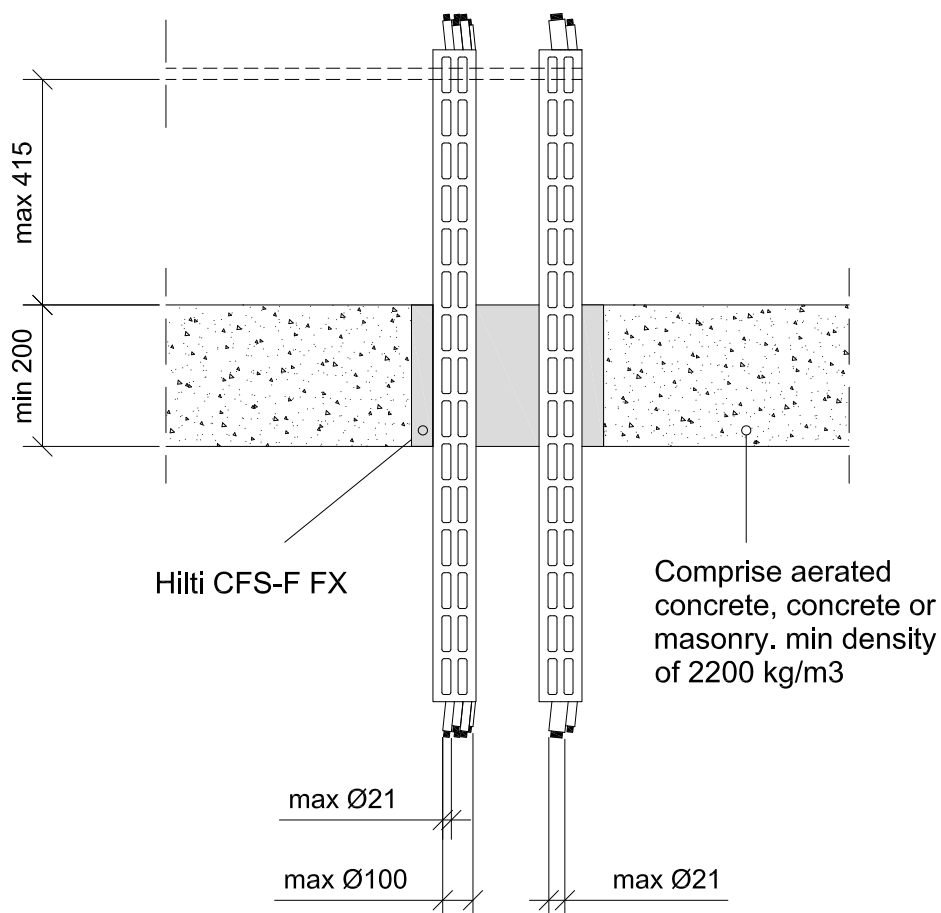
FIRESTOP FOAM

0106_01

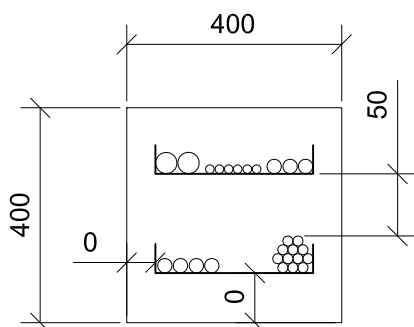
REV
00

No scale

Fire Rating EI 120



- Approval ETA-10/0109 of 11/04/2014
- Reaction to fire acc EN 13501-1
- Fire resistance test acc 1366-3
- Installation according to Hilti instructions



Max. opening 400x400 or Ø 400 mm
Total amount of services(including insulation) is equal or lower than 60 % of the penetration surface.