

Schémas d'application pour la mousse coupe-feu CFS-F FX



• Applications conduit acier et plastique

Conduits acier

- Application en cloison épaisseur 100 mm (dimensions maximum de l'ouverture 400 x 400 ou Ø 400) CAB-FW-CD-0081
- Application en voile rigide épaisseur 100 mm (dimensions maximum de l'ouverture 400 x 400 ou Ø 400) CAB-RW-CD-0096

Conduits plastique

- Application en cloison épaisseur 100 mm (dimensions maximum de l'ouverture 400 x 400 ou Ø 400) CAB-FW-CD-0082
- Application en voile rigide épaisseur 100 mm (dimensions maximum de l'ouverture 400 x 400 ou Ø 400) CAB-RW-CD-0097

Conduits acier et plastique

- Application en cloison épaisseur 200 mm (dimensions maximum de l'ouverture 400 x 400 ou Ø 400) CAB-FW-CD-0083
- Application en voile rigide épaisseur 200 mm (dimensions maximum de l'ouverture 400 x 400 ou Ø 400) CAB-RW-CD-0098
- Application en dalle rigide épaisseur 200 mm (dimensions maximum de l'ouverture 400 x 400 ou Ø 400) CAB-RF-CD-0108

*) Tous les schémas sont également disponibles sur demande en format DWG pour faciliter l'insertion sur des plans.



CONTENTS

Steel conduits in a flexible wall

ID

CAB-FW-CD-0081

FIRESTOP FOAM

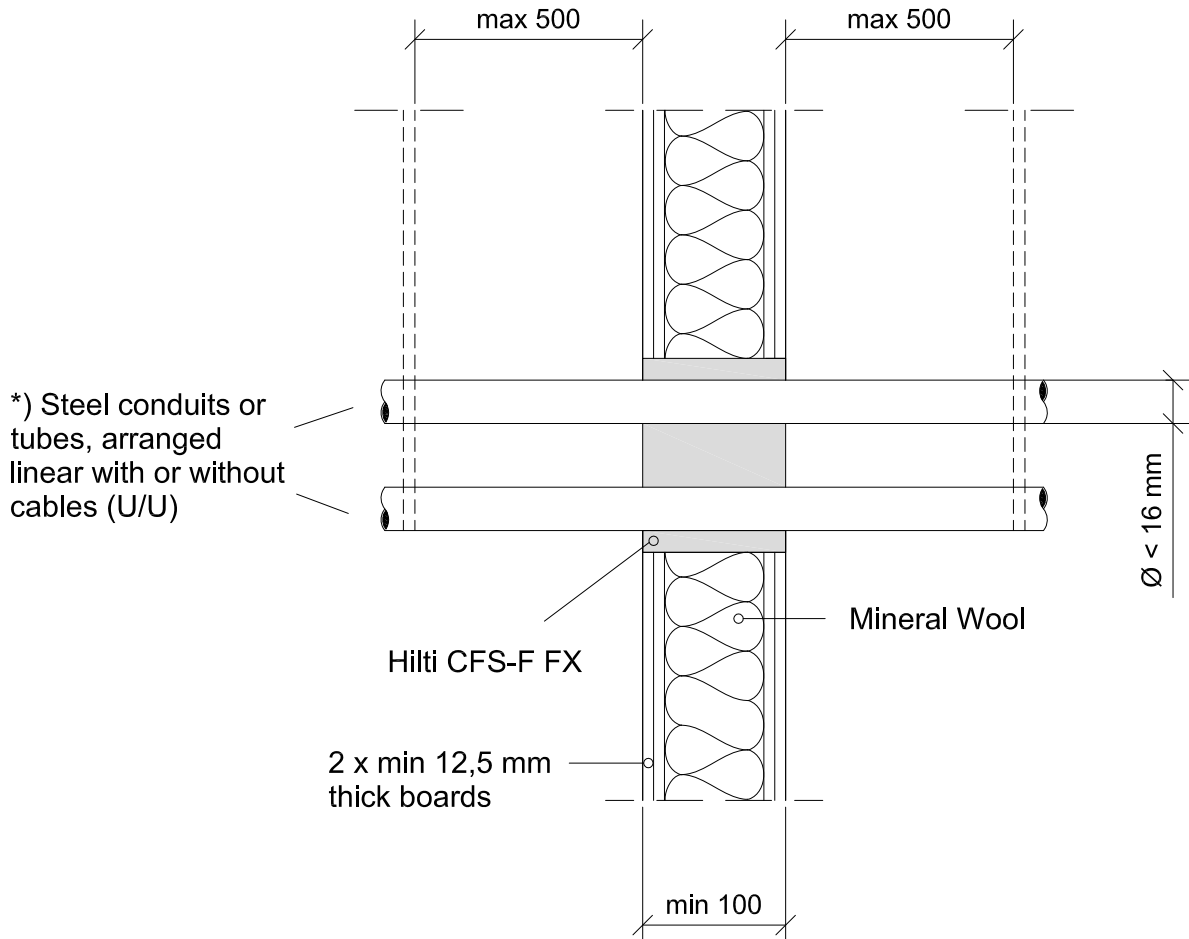
0081_01

REV
00

No scale

All units are in millimetres

Fire Rating EI 90



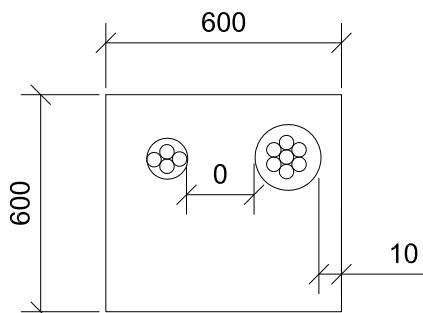
Sound Insulation for flexible wall

$D_{n,w} = 69 \text{ dB}$

$R_w = 61 \text{ dB}$

*) The field of application is also valid for other metal conduits or tubes with lower heat conductivity than unalloyed steel and a melting point of minimum 1050°C.

- Approval ETA-10/0109 of 11/04/2014
- Reaction to fire acc EN 13501-1
- Fire resistance test acc 1366-3
- Installation according to Hilti instructions



Max. opening 600x600 or Ø 600 mm
Total amount of services (including insulation) is equal or lower than 60 % of the penetration surface.



CONTENTS

Plastic conduits in a flexible wall

ID

CAB-FW-CD-0082

FIRESTOP FOAM

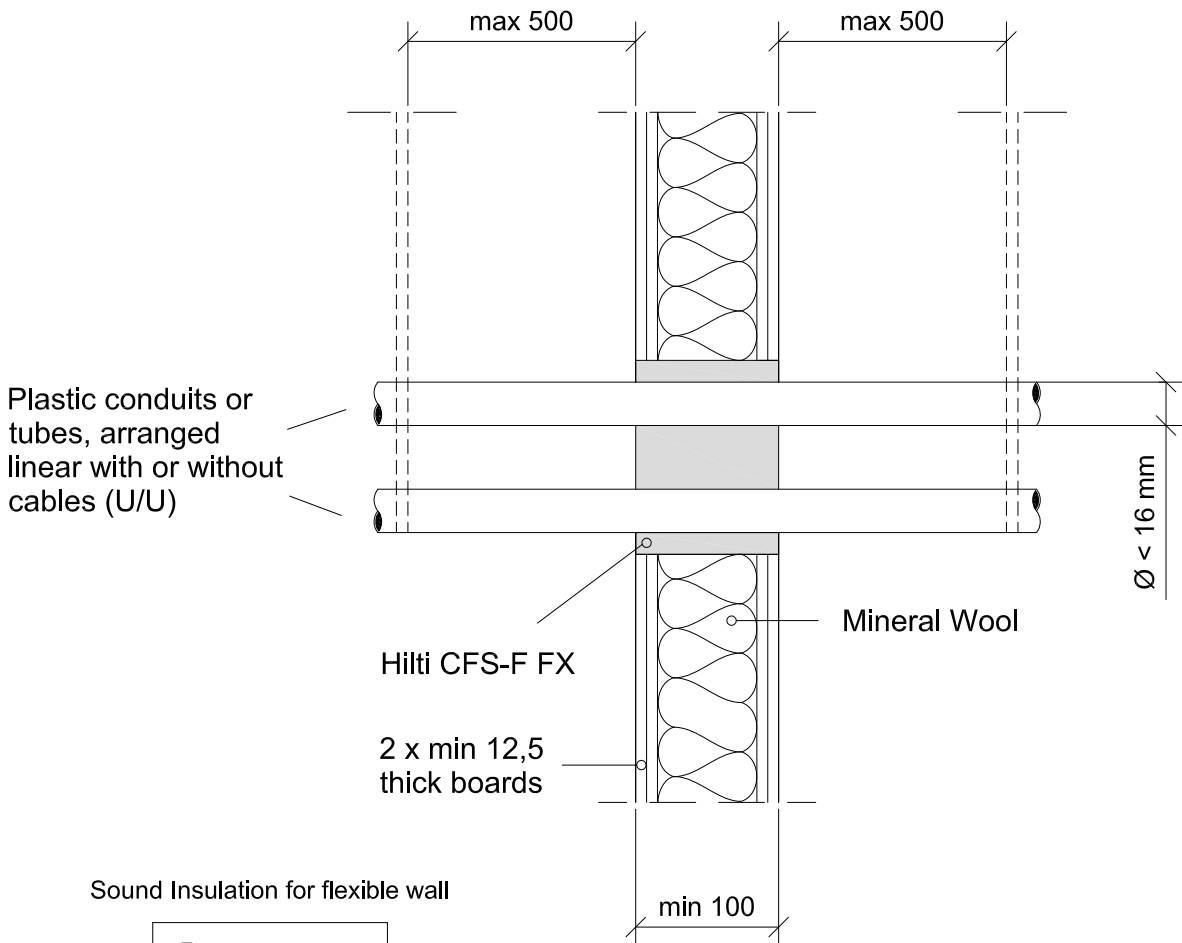
0082_01

REV
00

No scale

All units are in millimetres

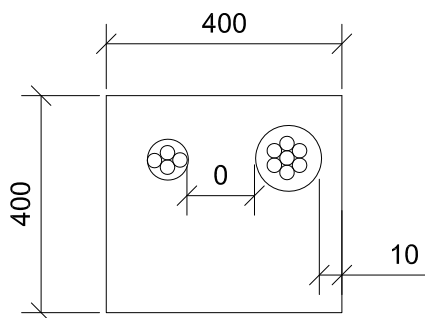
Fire Rating EI 120 U/U



Sound Insulation for flexible wall

$D_{n,w} = 69 \text{ dB}$
$R_w = 61 \text{ dB}$

- Approval ETA-10/0109 of 11/04/2014
- Reaction to fire acc EN 13501-1
- Fire resistance test acc 1366-3
- Installation according to Hilti instructions



Max. opening 400x400 or Ø 400 mm
Total amount of services(including insulation) is equal or lower than 60 % of the penetration surface.



CONTENTS

Steel and plastic conduits in a flexible wall

ID

CAB-FW-CD-0083

FIRESTOP FOAM

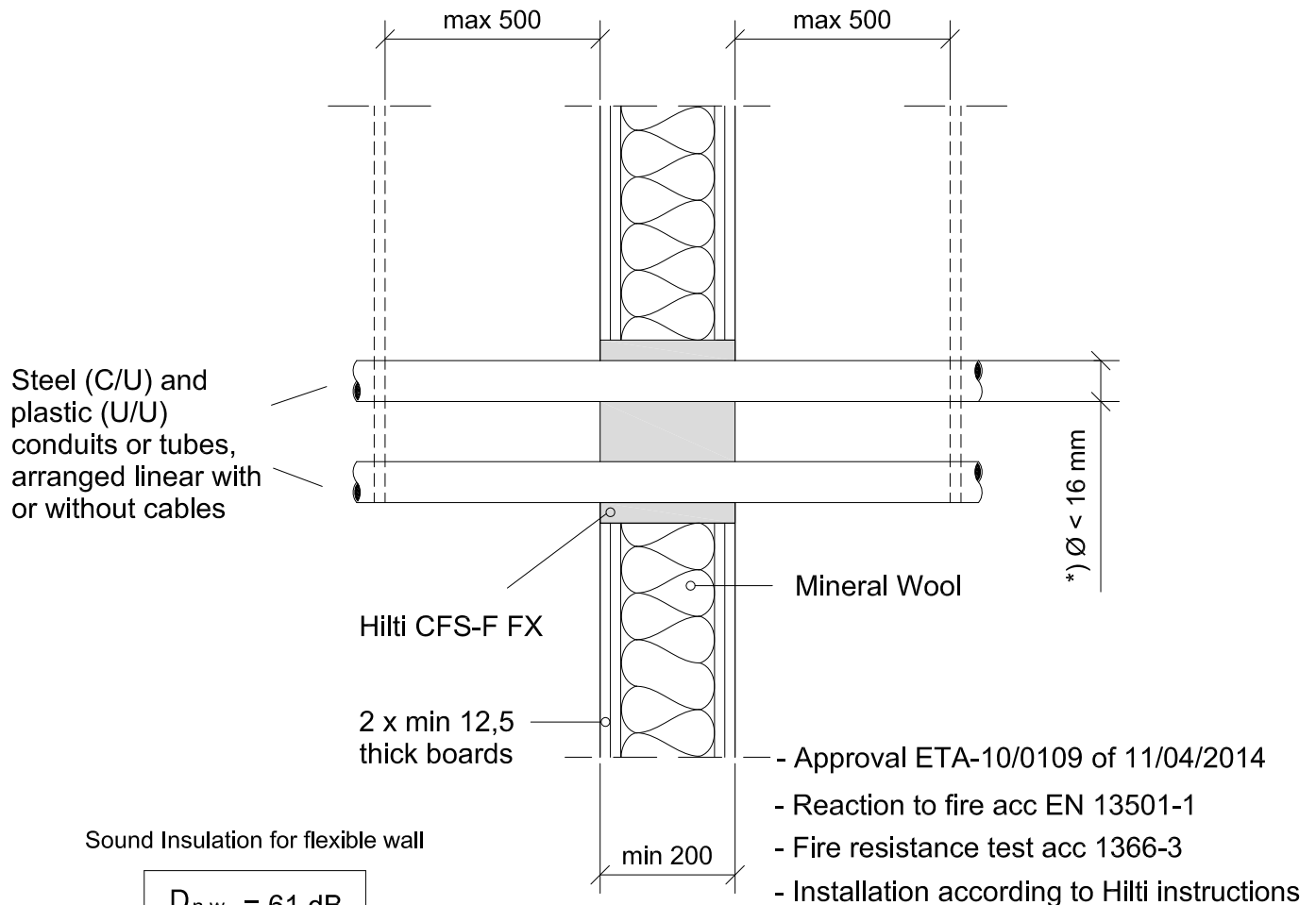
0083_01

REV 00

No scale

All units are in millimetres

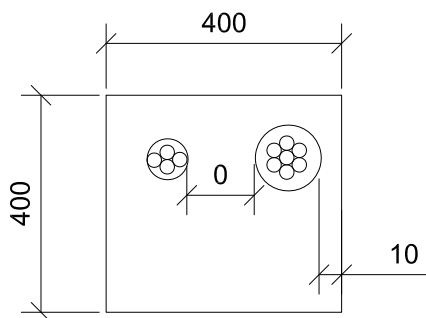
Fire Rating EI 120



Sound Insulation for flexible wall

$D_{n,w}$	= 61 dB
R_w	= 69 dB

*) Valid also for flexible and rigid plastic conduits (Polyolefin, PVC), $\varnothing < 32$ mm and for bundle of plastic conduits, $\varnothing < 100$



Max. opening 400x400 or $\varnothing 400$ mm

Total amount of services(including insulation) is equal or lower than 60 % of the penetration surface.



CONTENTS

Steel conduits in a rigid wall

ID

CAB-RW-CD-0096

FIRESTOP FOAM

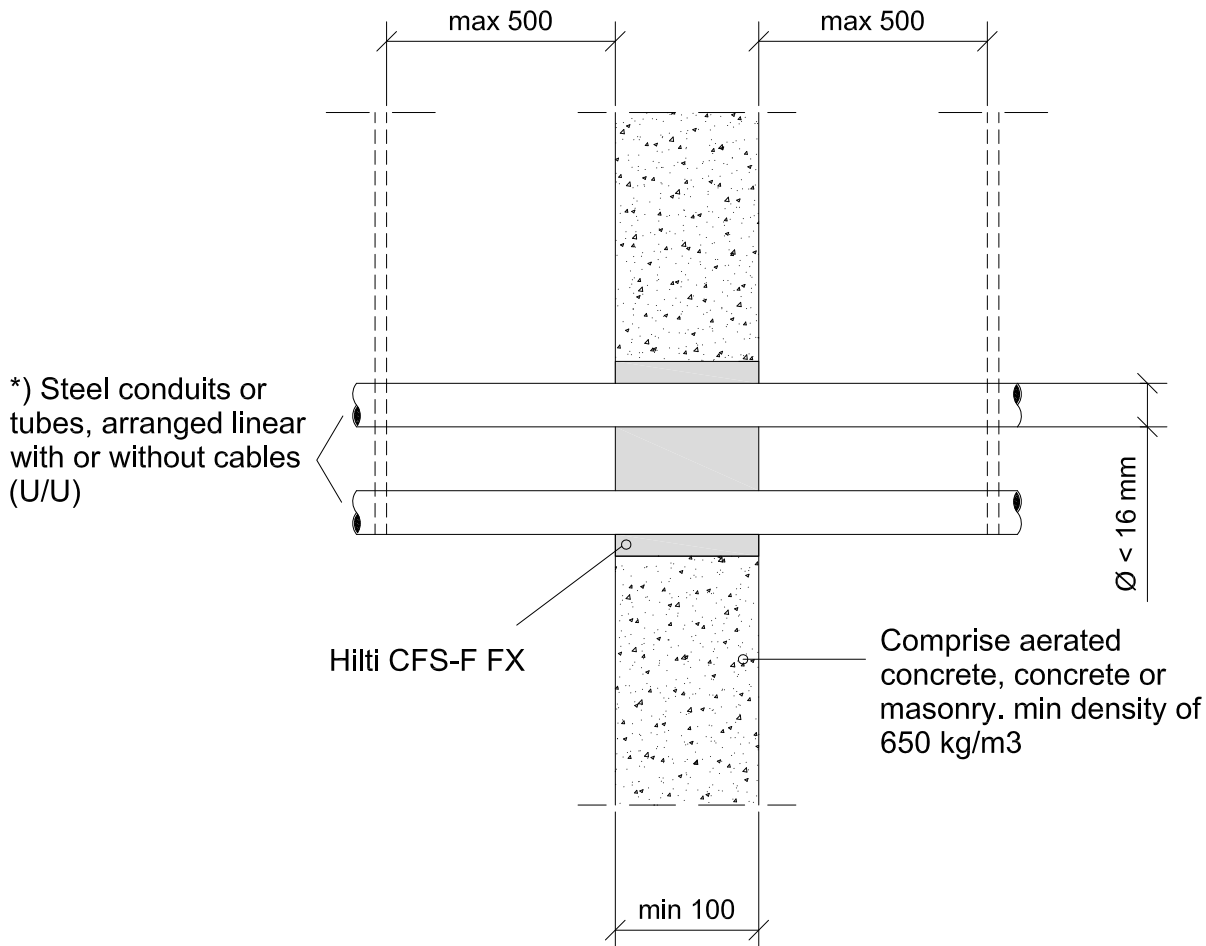
0096_01

REV
00

No scale

All units are in millimetres

Fire Rating EI 90

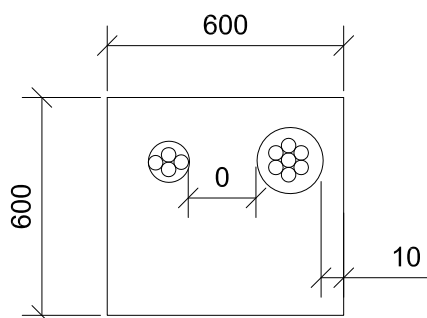


Sound Insulation for rigid wall

$D_{n,w} = 69 \text{ dB}$
$R_w = 61 \text{ dB}$

*) The field of application is also valid for other metal conduits or tubes with lower heat conductivity than unalloyed steel and a melting point of minimum 1050°C.

- Approval ETA-10/0109 of 11/04/2014
- Reaction to fire acc EN 13501-1
- Fire resistance test acc 1366-3
- Installation according to Hilti instructions



Max. opening 600x600 or Ø 600 mm
Total amount of services(including insulation) is equal or lower than 60 % of the penetration surface.



CONTENTS

Plastic conduits in a rigid wall

ID

CAB-RW-CD-0097

FIRESTOP FOAM

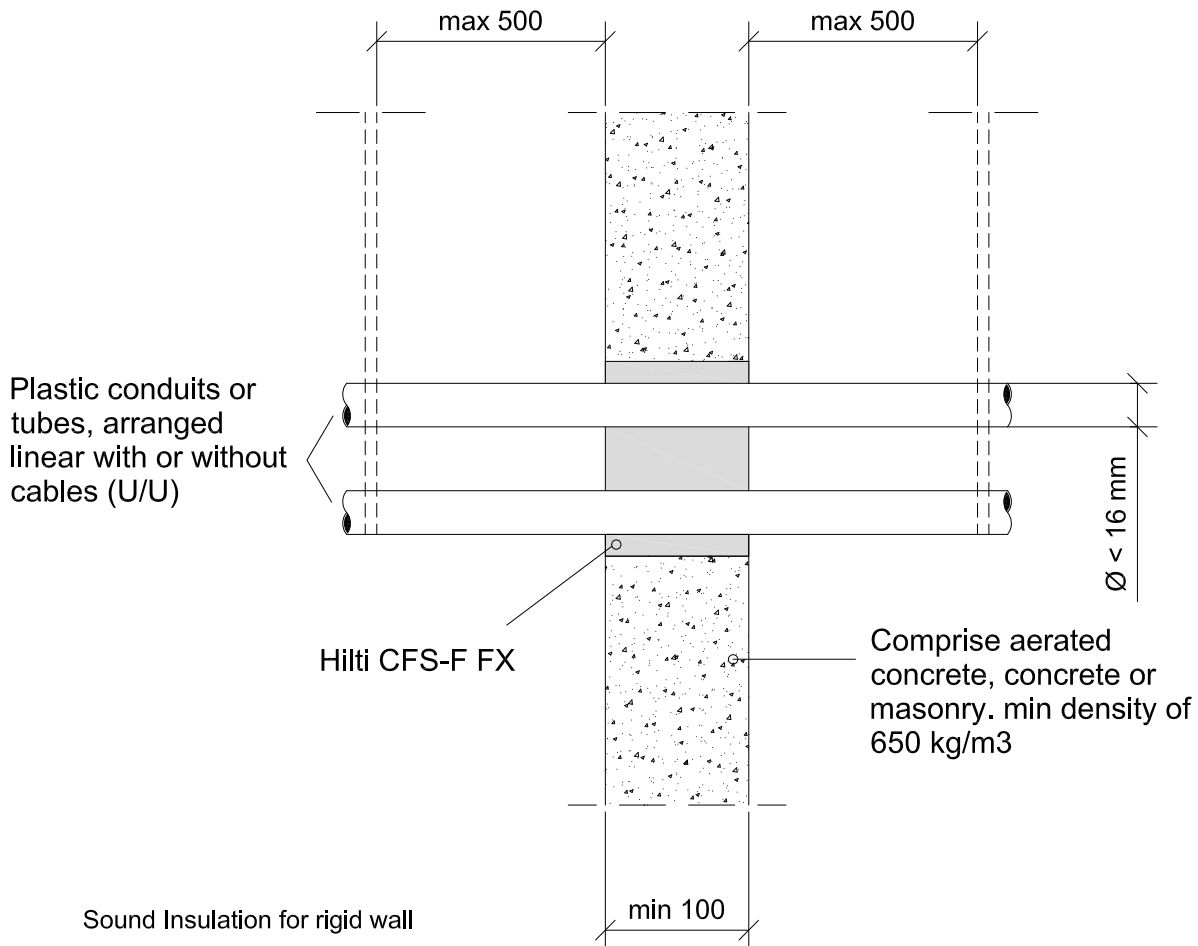
0097_01

REV
00

No scale

All units are in millimetres

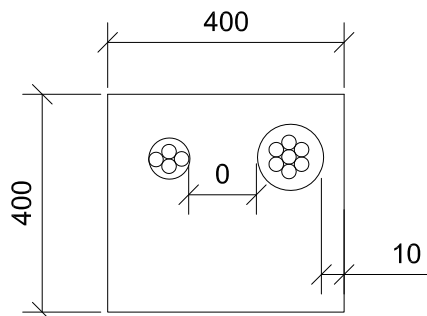
Fire Rating EI 120



Sound Insulation for rigid wall

$D_{n,w} = 69 \text{ dB}$
$R_w = 61 \text{ dB}$

- Approval ETA-10/0109 of 11/04/2014
- Reaction to fire acc EN 13501-1
- Fire resistance test acc 1366-3
- Installation according to Hilti instructions



Max. opening 400x400 or Ø 400 mm

Total amount of services(including insulation) is equal or lower than 60 % of the penetration surface.



CONTENTS

Steel and plastic conduits in a rigid wall

ID

CAB-RW-CD-0098

FIRESTOP FOAM

0098_01

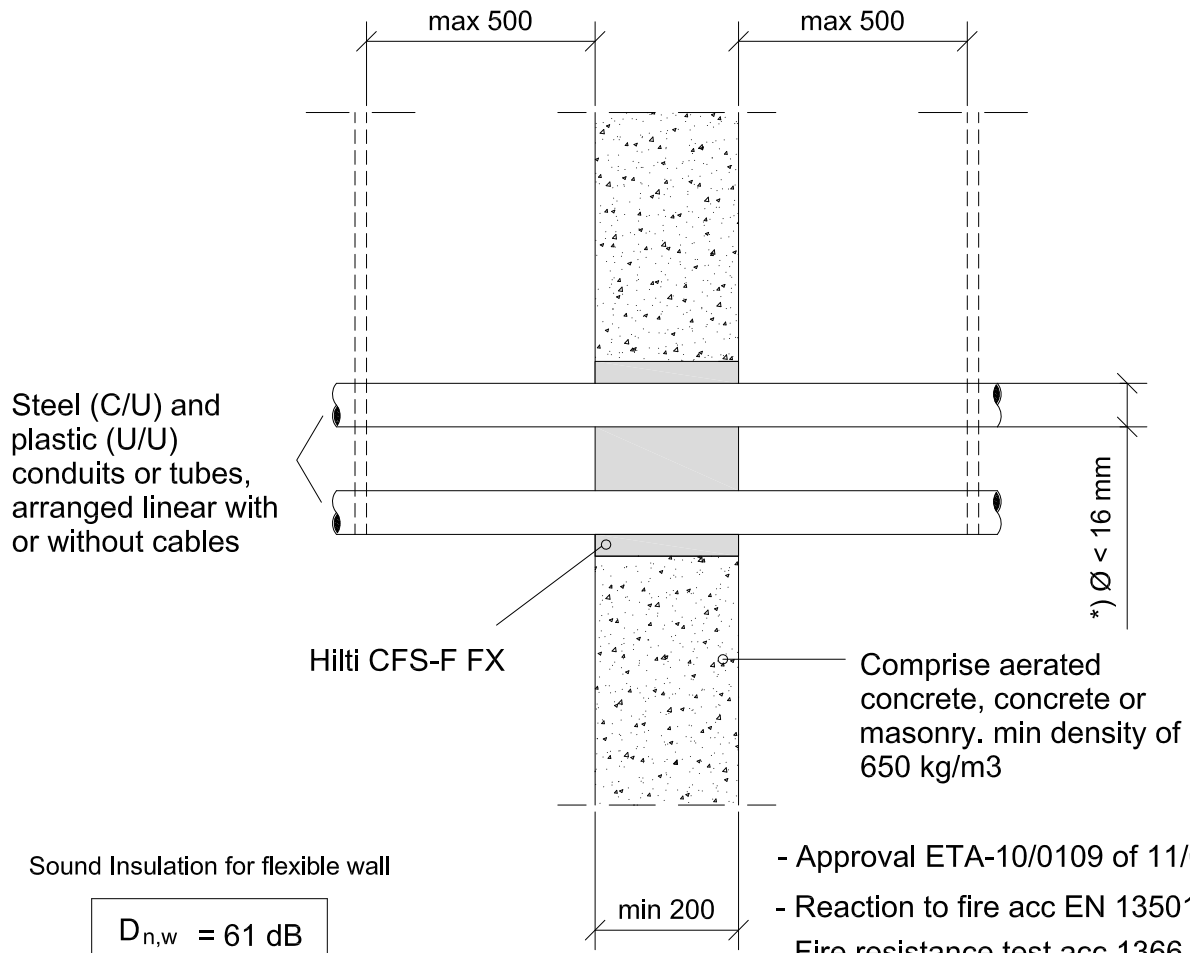
REV

00

No scale

All units are in millimetres

Fire Rating EI 120

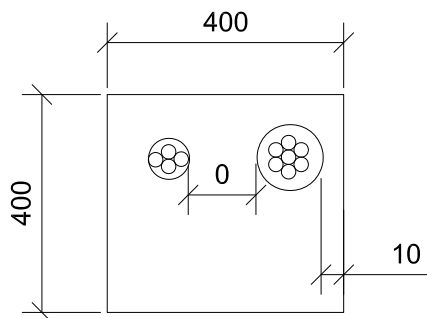


Sound Insulation for flexible wall

$D_{n,w} = 61 \text{ dB}$
 $R_w = 69 \text{ dB}$

- Approval ETA-10/0109 of 11/04/2014
- Reaction to fire acc EN 13501-1
- Fire resistance test acc 1366-3
- Installation according to Hilti instructions

*) Valid also for flexible and rigid plastic conduits (Polyolefin, PVC), $\varnothing < 32 \text{ mm}$ and for bundle of plastic conduits, $\varnothing < 100$



Max. opening 400x400 or $\varnothing 400 \text{ mm}$

Total amount of services (including insulation) is equal or lower than 60 % of the penetration surface.



CONTENTS

Steel and plastic conduits in a rigid floor

ID

CAB-RF-CD-0108

FIRESTOP FOAM

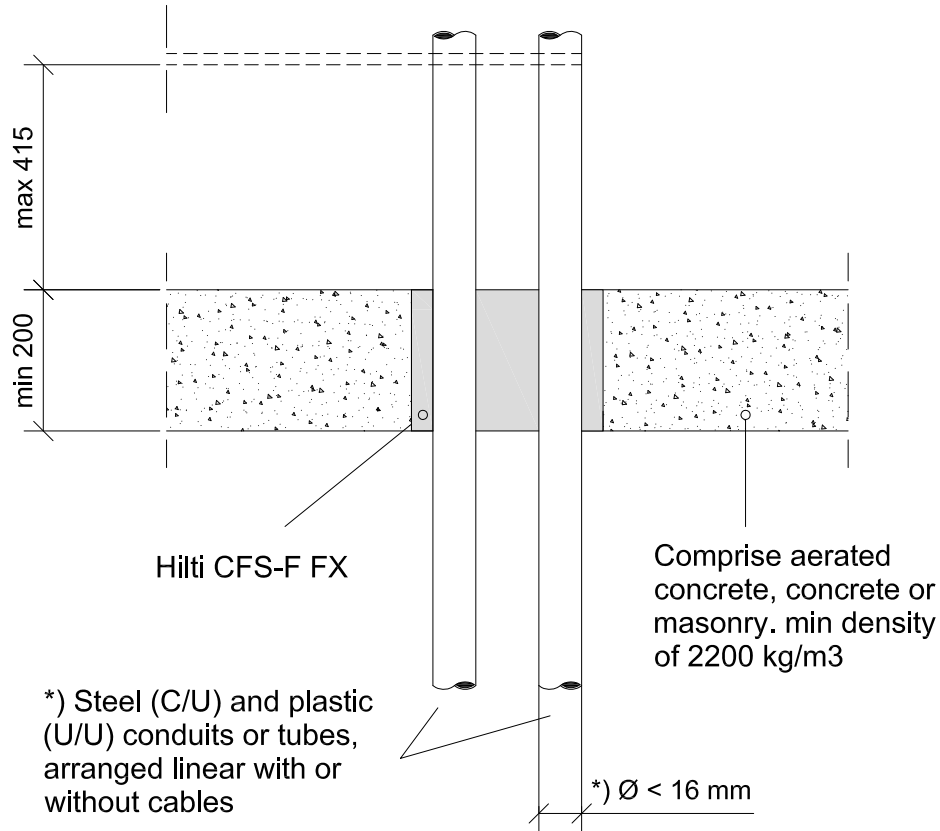
0108_01

REV
00

No scale

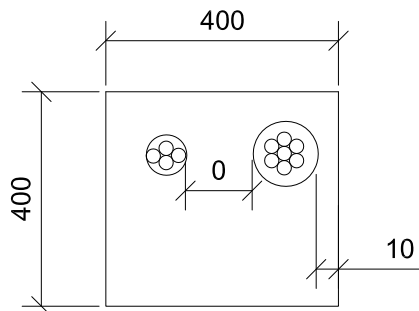
All units are in millimetres

Fire Rating EI 120



- Approval ETA-10/0109 of 11/04/2014
- Reaction to fire acc EN 13501-1
- Fire resistance test acc 1366-3
- Installation according to Hilti instructions

*) Valid also for flexible and rigid plastic conduits (Polyolefin, PVC), $\varnothing < 32$ mm and for bundle of plastic conduits, $\varnothing < 100$ mm



Max. opening 400x400 or $\varnothing 400$ mm

Total amount of services (including insulation) is equal or lower than 60 % of the penetration surface.