

# Schémas d'application pour la mousse coupe-feu CFS-F FX



## Applications pour câbles multiples (câbles unitaires, botte de câbles, chemin de câbles)

- Application en cloison épaisseur 150 mm (dimensions maximum de l'ouverture 600 x 600 ou Ø 600) CAB-FW-MT-0071/74
- Application en cloison épaisseur 200 mm (dimensions maximum de l'ouverture 400 x 400 ou Ø 400) CAB-FW-MT-0077
- Application en cloison épaisseur 200 mm (dimensions maximum de l'ouverture 600 x 600 ou Ø 600) CAB-FW-MT-0080
  
- Application en voile rigide épaisseur 150 mm (dimensions maximum de l'ouverture 600 x 600 ou Ø 600) CAB-RW-MT-0086/89
- Application en voile rigide épaisseur 200 mm (dimensions maximum de l'ouverture 400 x 400 ou Ø 400) CAB-RW-MT-0092
- Application en voile rigide épaisseur 200 mm (dimensions maximum de l'ouverture 600 x 600 ou Ø 600) CAB-RW-MT-0095
  
- Application en dalle rigide épaisseur 150 mm (dimensions maximum de l'ouverture 400 x 400 ou Ø 400) CAB-RF-MT-0101
- Application en dalle rigide épaisseur 200 mm (dimensions maximum de l'ouverture 400 x 400 ou Ø 400) CAB-RF-MT-0104/107

\*) Tous les schémas sont également disponibles sur demande en format DWG pour faciliter l'insertion sur des plans.



CONTENTS

Multiple in a flexible wall

ID

CAB-FW-MT-0071

FIRESTOP FOAM

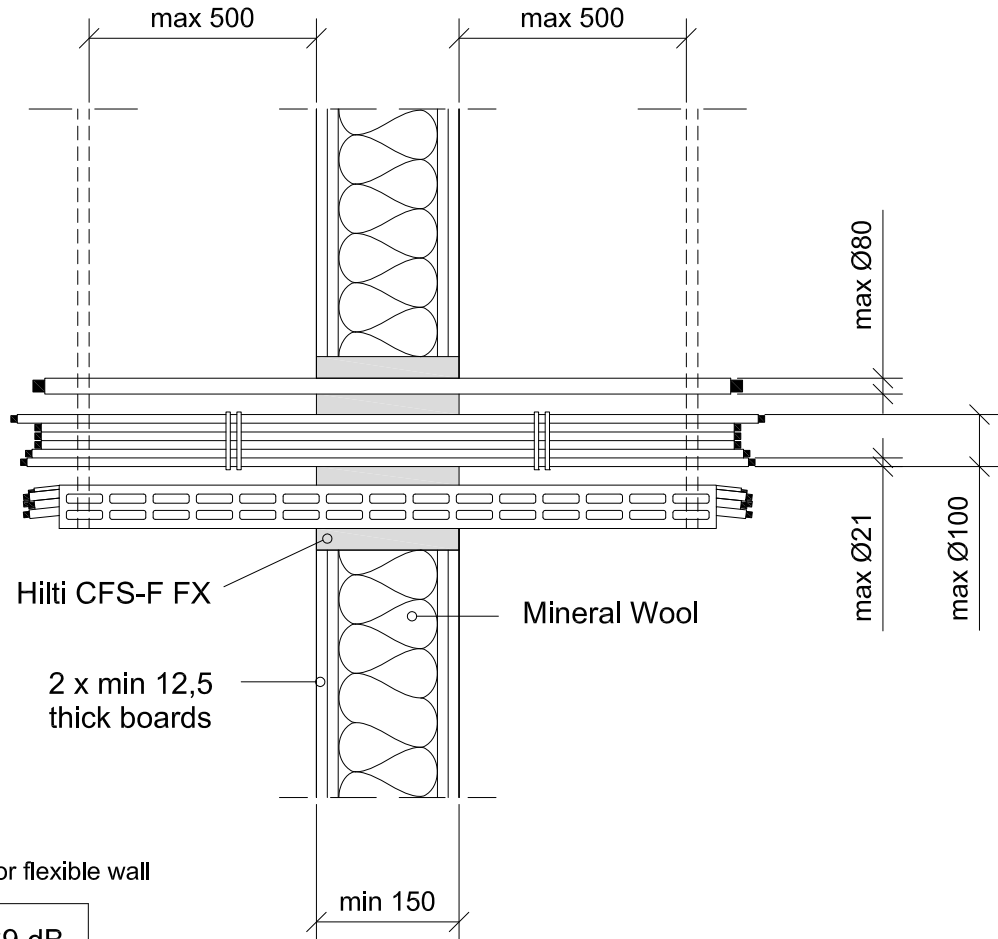
0071\_01

REV  
00

No scale

All units are in millimetres

Fire Rating EI 60

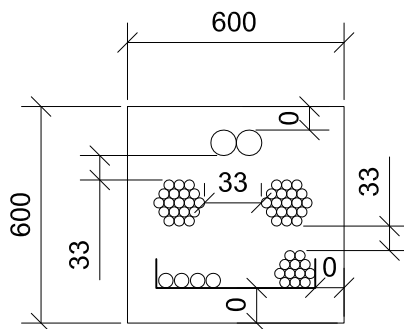


Sound Insulation for flexible wall

$D_{n,w} = 69 \text{ dB}$

$R_w = 61 \text{ dB}$

- Approval ETA-10/0109 of 11/04/2014
- Reaction to fire acc EN 13501-1
- Fire resistance test acc 1366-3
- Installation according to Hilti instructions



Max. opening 600x600 or Ø 600 mm

Total amount of services(including insulation) is equal or lower than 60 % of the penetration surface.



CONTENTS

Multiple in a flexible wall

ID

CAB-FW-MT-0074

FIRESTOP FOAM

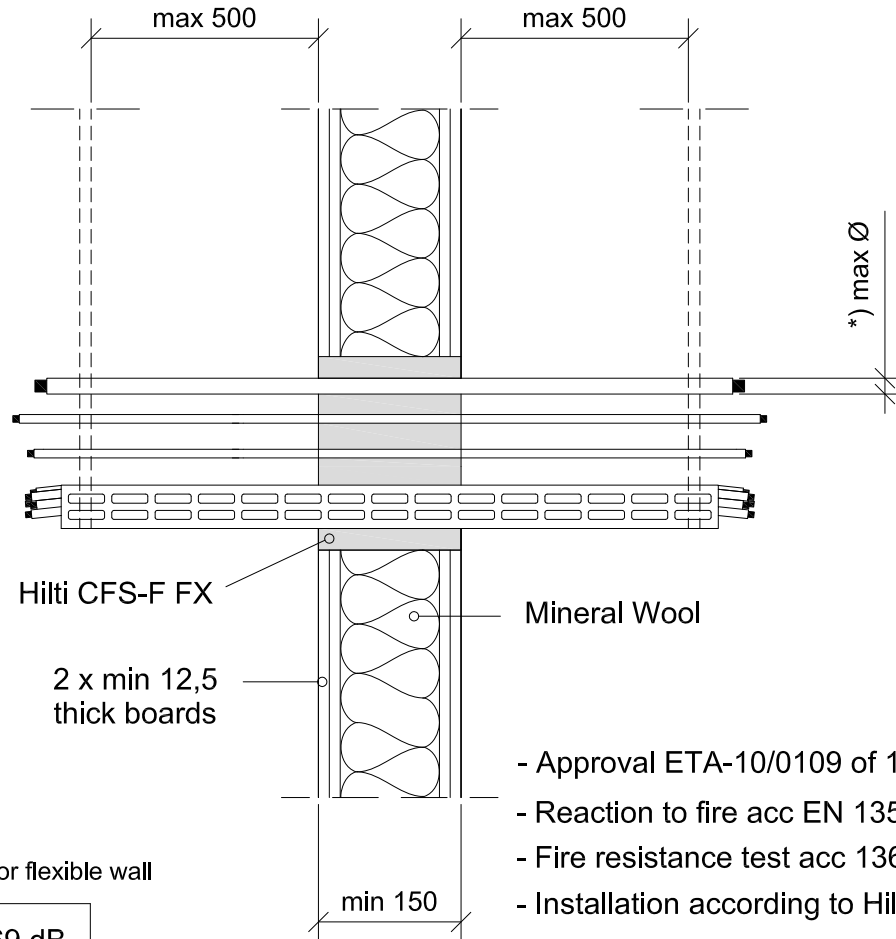
0074\_01

REV  
00

No scale

All units are in milimetres

Fire Rating EI 90



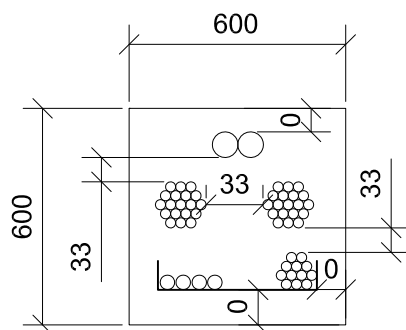
Sound Insulation for flexible wall

$D_{n,w}$	= 69 dB
$R_w$	= 61 dB

- Approval ETA-10/0109 of 11/04/2014
- Reaction to fire acc EN 13501-1
- Fire resistance test acc 1366-3
- Installation according to Hilti instructions

\*) Type and Ø cables

Ø max single sheated core cable	21
Ø max single multi-core halogen free cables acc HD 604.5	50
Ø max single multi-core rubber cables acc HD 22.4	80



Max. opening 600x600 or Ø 600 mm

Total amount of services (including insulation) is equal or lower than 60 % of the penetration surface.



CONTENTS

Multiple in a flexible wall

ID

CAB-FW-MT-0077

FIRESTOP FOAM

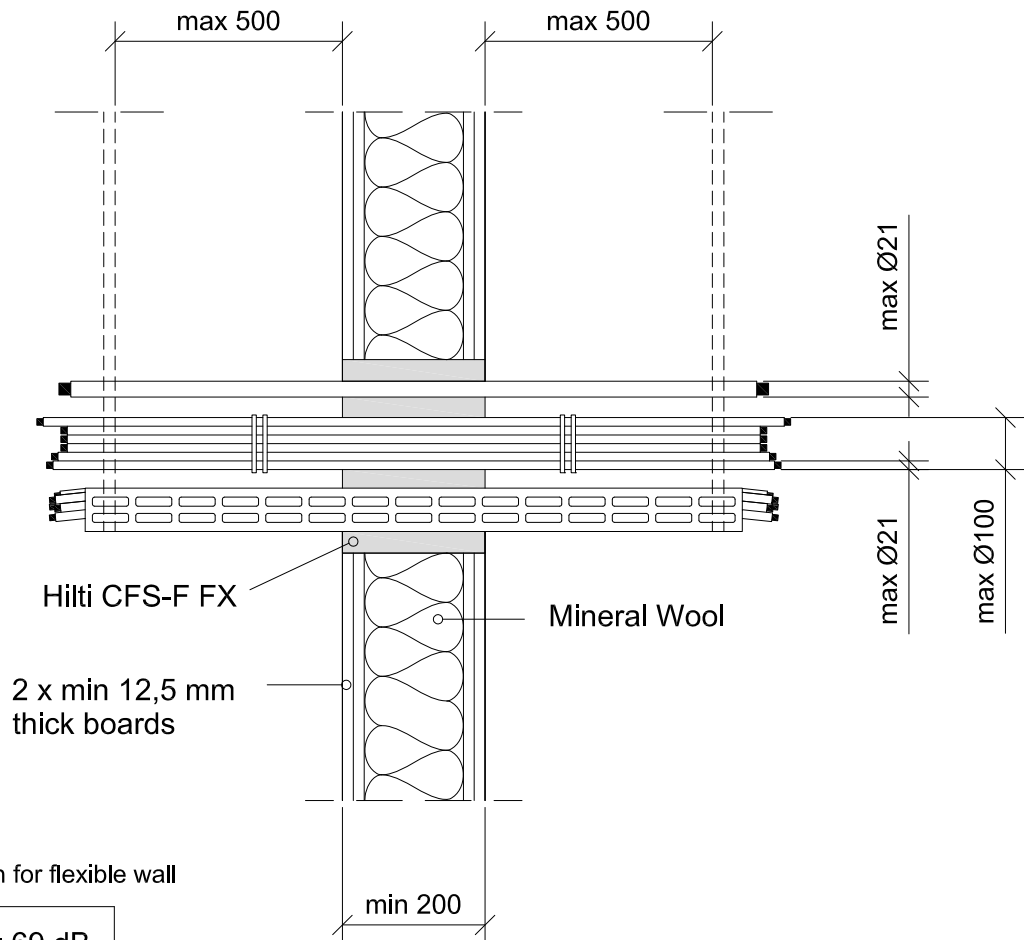
0077\_01

REV  
00

No scale

All units are in millimetres

Fire Rating EI 120

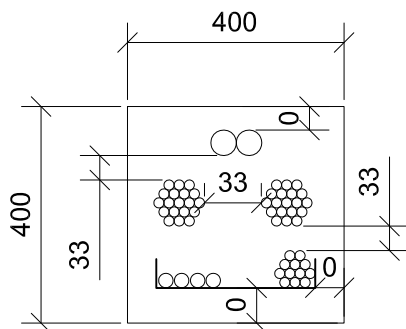


Sound Insulation for flexible wall

$D_{n,w} = 69 \text{ dB}$

$R_w = 61 \text{ dB}$

- Approval ETA-10/0109 of 11/04/2014
- Reaction to fire acc EN 13501-1
- Fire resistance test acc 1366-3
- Installation according to Hilti instructions



Max. opening 400x400 or Ø 400 mm

Total amount of services(including insulation) is equal or lower than 60 % of the penetration surface.



CONTENTS

Multiple in a flexible wall

ID

CAB-FW-MT-0080

FIRESTOP FOAM

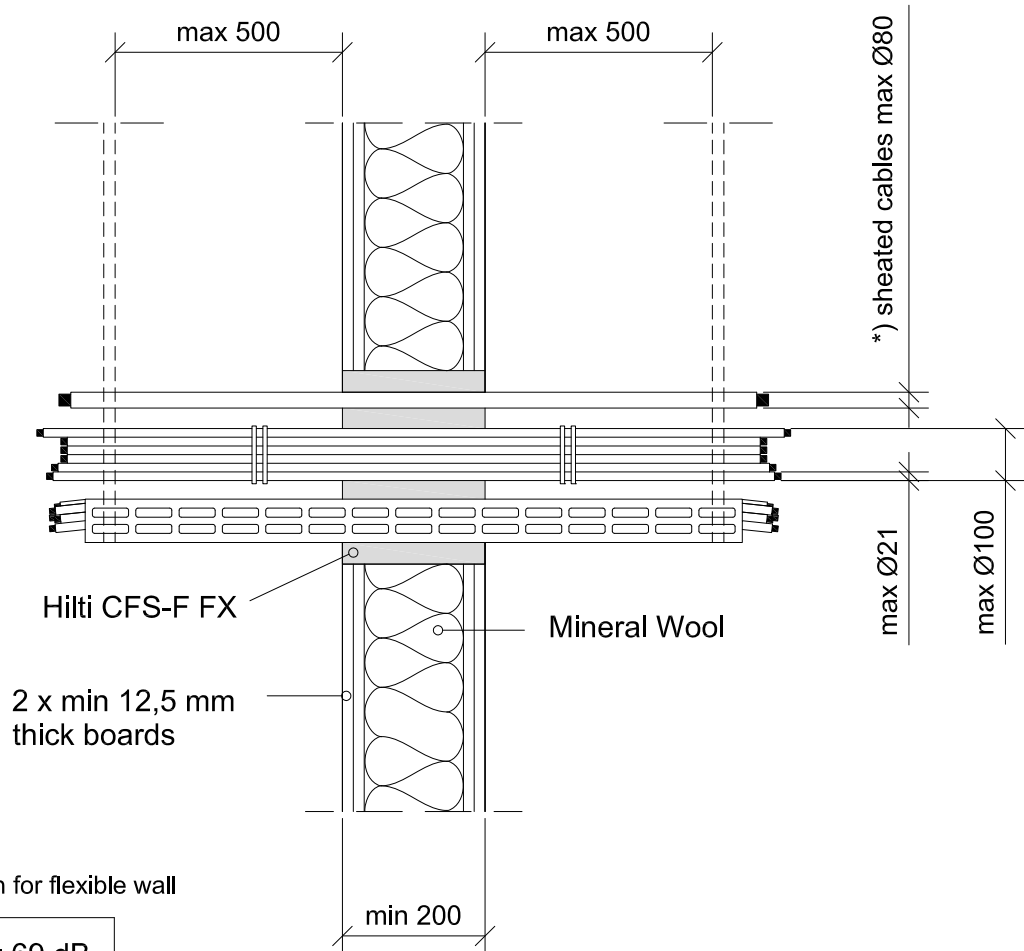
0080\_01

REV  
00

No scale

All units are in millimetres

Fire Rating EI 90

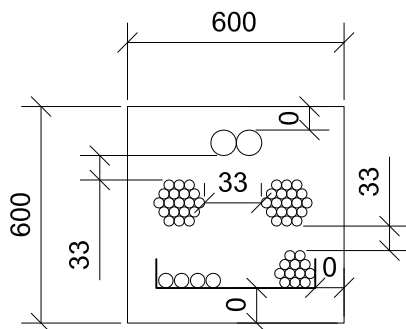


Sound Insulation for flexible wall

$D_{n,w}$	= 69 dB
$R_w$	= 61 dB

\*) Valid also for all sheathed single core cables (max Ø21) and non sheathed cables (max Ø24)

- Approval ETA-10/0109 of 11/04/2014
- Reaction to fire acc EN 13501-1
- Fire resistance test acc 1366-3
- Installation according to Hilti instructions



Max. opening 600x600 or Ø 600 mm

Total amount of services(including insulation) is equal or lower than 60 % of the penetration surface.



CONTENTS

Multiple in a rigid wall

ID

CAB-RW-MT-0086

FIRESTOP FOAM

0086\_01

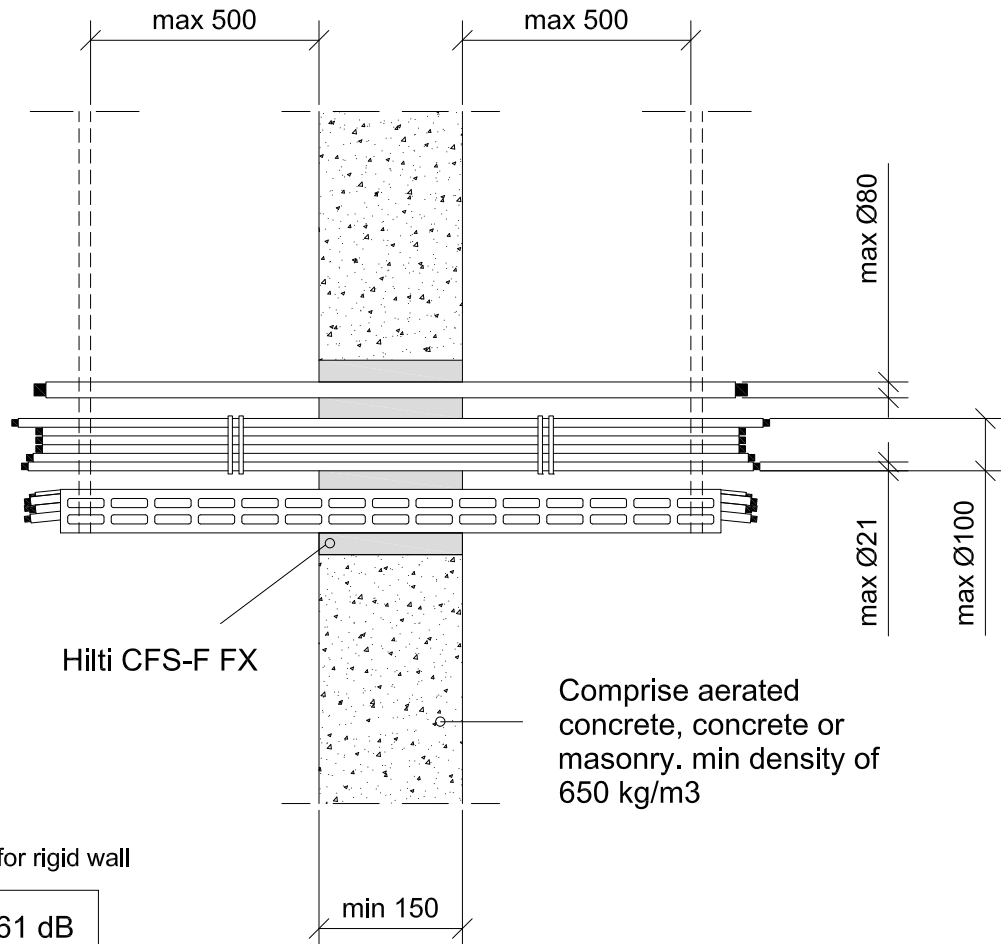
REV

00

No scale

All units are in millimetres

Fire Rating EI 60



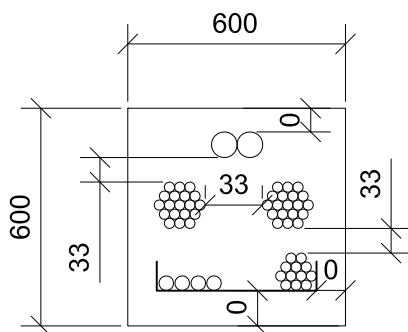
Hilti CFS-F FX

Comprise aerated concrete, concrete or masonry. min density of 650 kg/m<sup>3</sup>

Sound Insulation for rigid wall

$D_{n,w} = 61 \text{ dB}$   
 $R_w = 69 \text{ dB}$

- Approval ETA-10/0109 of 11/04/2014
- Reaction to fire acc EN 13501-1
- Fire resistance test acc 1366-3
- Installation according to Hilti instructions



Max. opening 600x600 or Ø 600 mm

Total amount of services(including insulation) is equal or lower than 60 % of the penetration surface.



CONTENTS

Multiple in a rigid wall

ID

CAB-RW-MT-0089

FIRESTOP FOAM

0089\_01

REV

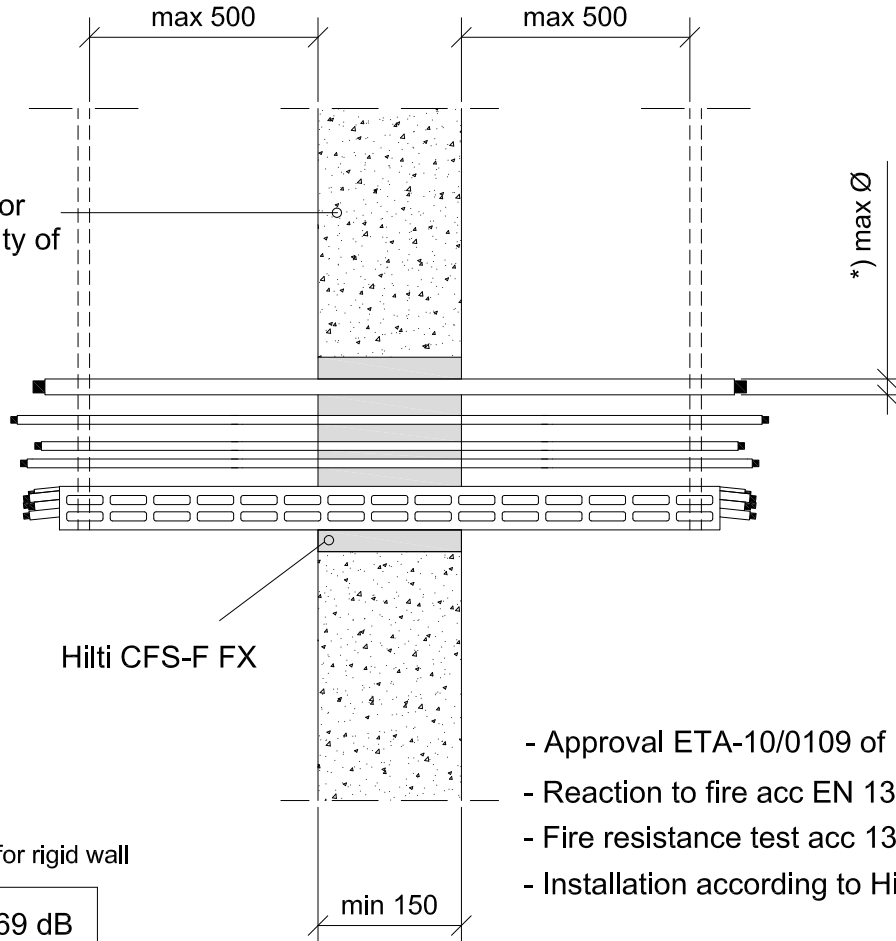
00

No scale

All units are in millimetres

Fire Rating EI 90

Comprise aerated concrete, concrete or masonry. min density of 650 kg/m<sup>3</sup>



Hilti CFS-F FX

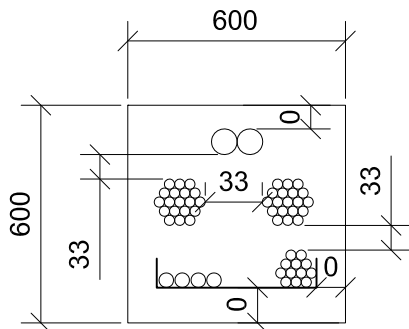
- Approval ETA-10/0109 of 11/04/2014
- Reaction to fire acc EN 13501-1
- Fire resistance test acc 1366-3
- Installation according to Hilti instructions

Sound Insulation for rigid wall

$D_{n,w}$	= 69 dB
$R_w$	= 61 dB

\*) Type and Ø cables

Ø max single sheated core cable	21
Ø max single multi-core halogen free cables acc HD 604.5	50
Ø max single multi-core rubber cables acc HD 22.4	80



Max. opening 600x600 or Ø 600 mm

Total amount of services(including insulation) is equal or lower than 60 % of the penetration surface.



CONTENTS

Multiple in a rigid wall

ID

CAB-RW-MT-0092

FIRESTOP FOAM

0092\_01

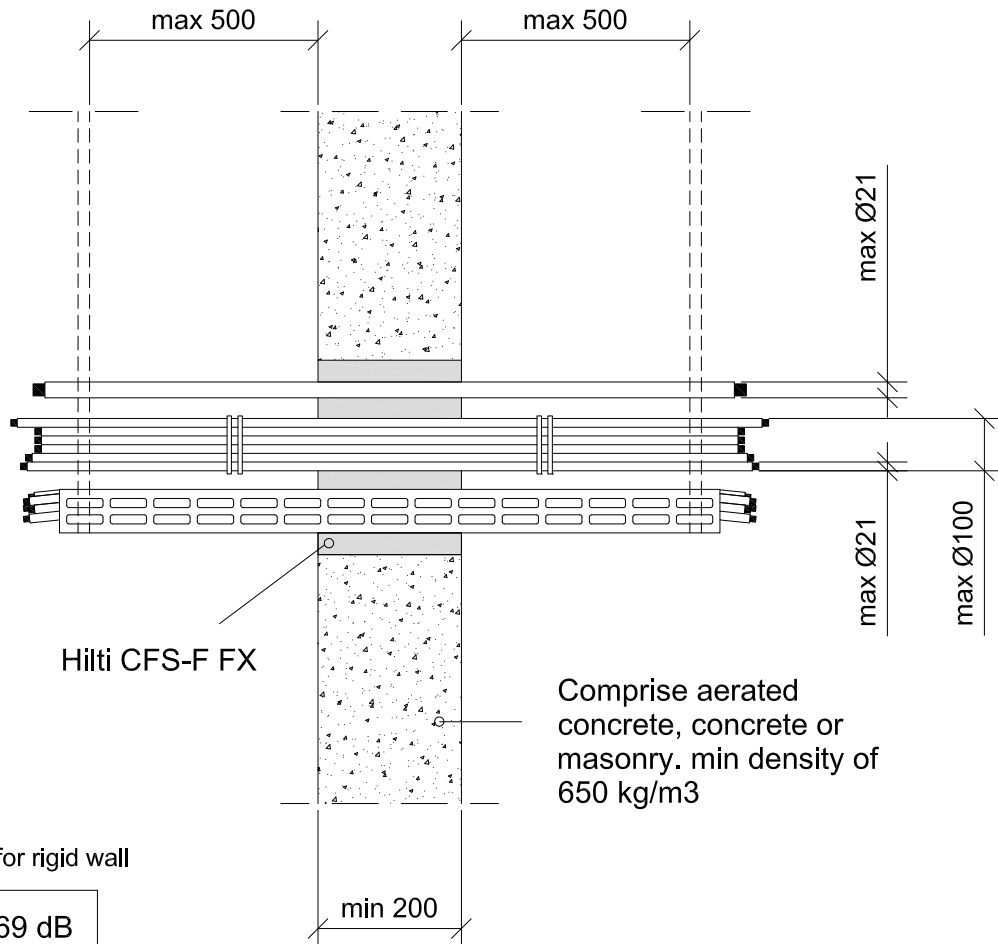
REV

00

No scale

All units are in millimetres

Fire Rating EI 120



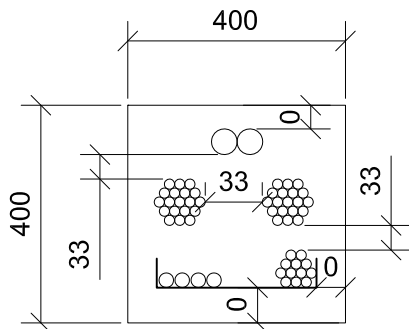
Hilti CFS-F FX

Comprise aerated concrete, concrete or masonry. min density of 650 kg/m3

Sound Insulation for rigid wall

$$D_{n,w} = 69 \text{ dB}$$
$$R_w = 61 \text{ dB}$$

- Approval ETA-10/0109 of 11/04/2014
- Reaction to fire acc EN 13501-1
- Fire resistance test acc 1366-3
- Installation according to Hilti instructions



Max. opening 400x400 or Ø 400 mm  
Total amount of services(including insulation) is equal or lower than 60 % of the penetration surface.





CONTENTS

Multiple in a rigid wall

ID

CAB-RW-MT-0095

FIRESTOP FOAM

0095\_01

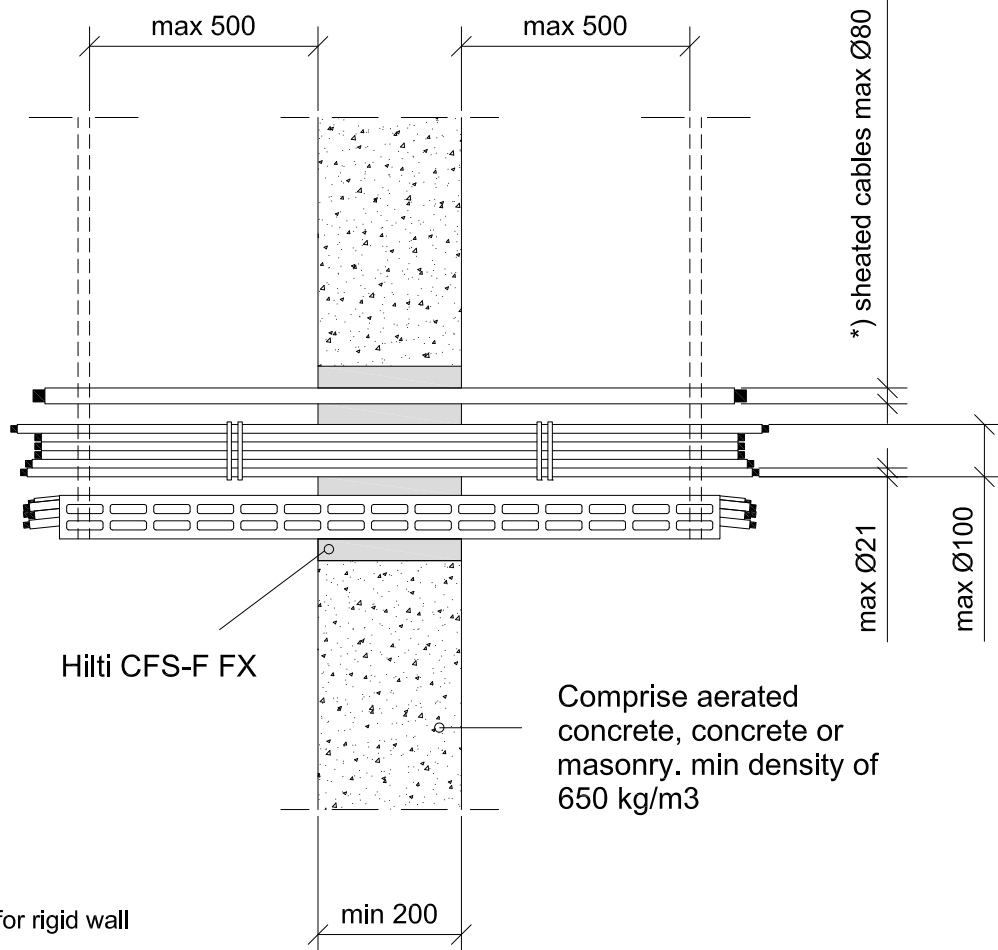
REV

00

No scale

All units are in millimetres

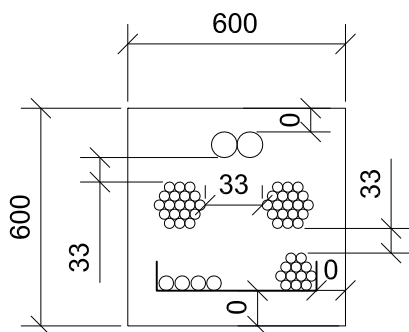
Fire Rating EI 90



Sound Insulation for rigid wall

$$D_{n,w} = 69 \text{ dB}$$
$$R_w = 61 \text{ dB}$$

- Approval ETA-10/0109 of 11/04/2014
- Reaction to fire acc EN 13501-1
- Fire resistance test acc 1366-3
- Installation according to Hilti instructions



\*) Valid also for all sheathed single core cables (max Ø21) and non sheathed cables (max Ø24)

Max. opening 600x600 or Ø 600 mm

Total amount of services(including insulation) is equal or lower than 60 % of the penetration surface.



CONTENTS

Multiple in a rigid floor

ID

CAB-RF-MT-0101

FIRESTOP FOAM

0101\_01

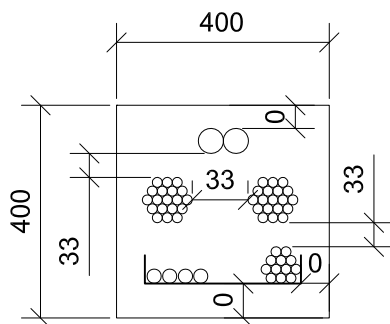
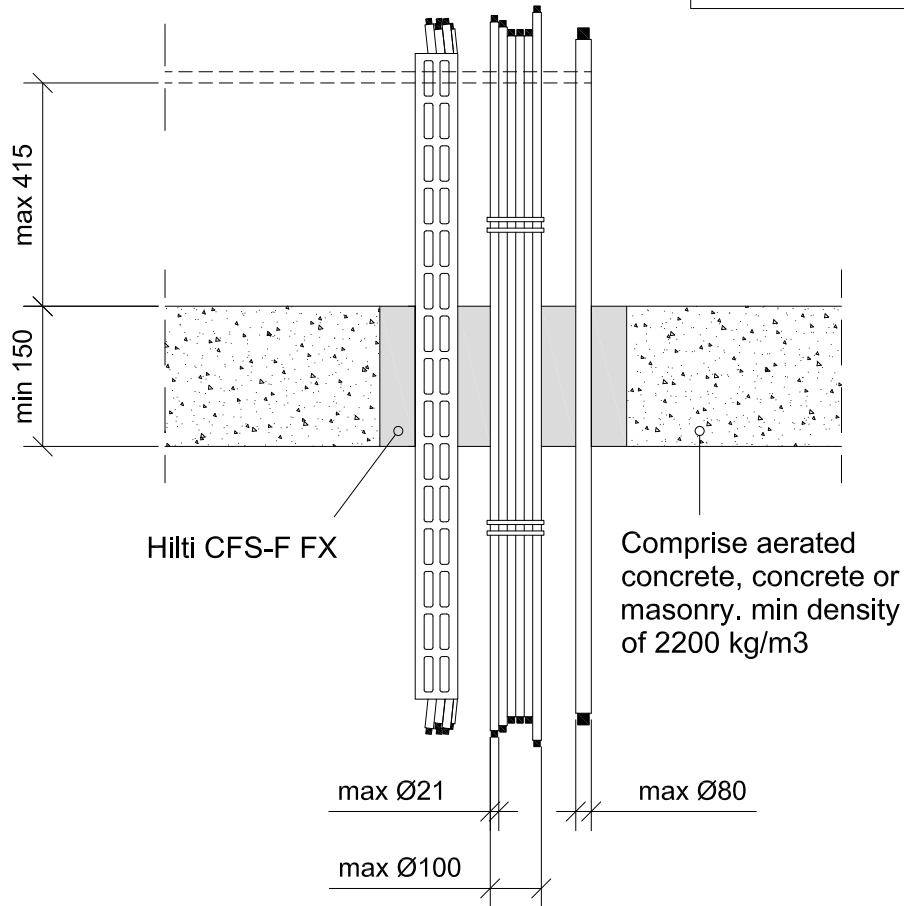
REV

00

No scale

All units are in milimetres

Fire Rating EI 60



- Approval ETA-10/0109 of 11/04/2014
- Reaction to fire acc EN 13501-1
- Fire resistance test acc 1366-3
- Installation according to Hilti instructions

Max. opening 400x400 or Ø 400 mm

Total amount of services(including insulation) is equal or lower than 60 % of the penetration surface.



CONTENTS

Multiple in a rigid floor

ID

CAB-RF-MT-0104

FIRESTOP FOAM

0104\_01

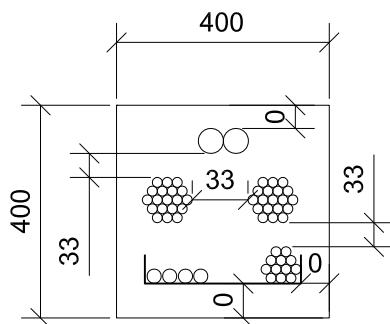
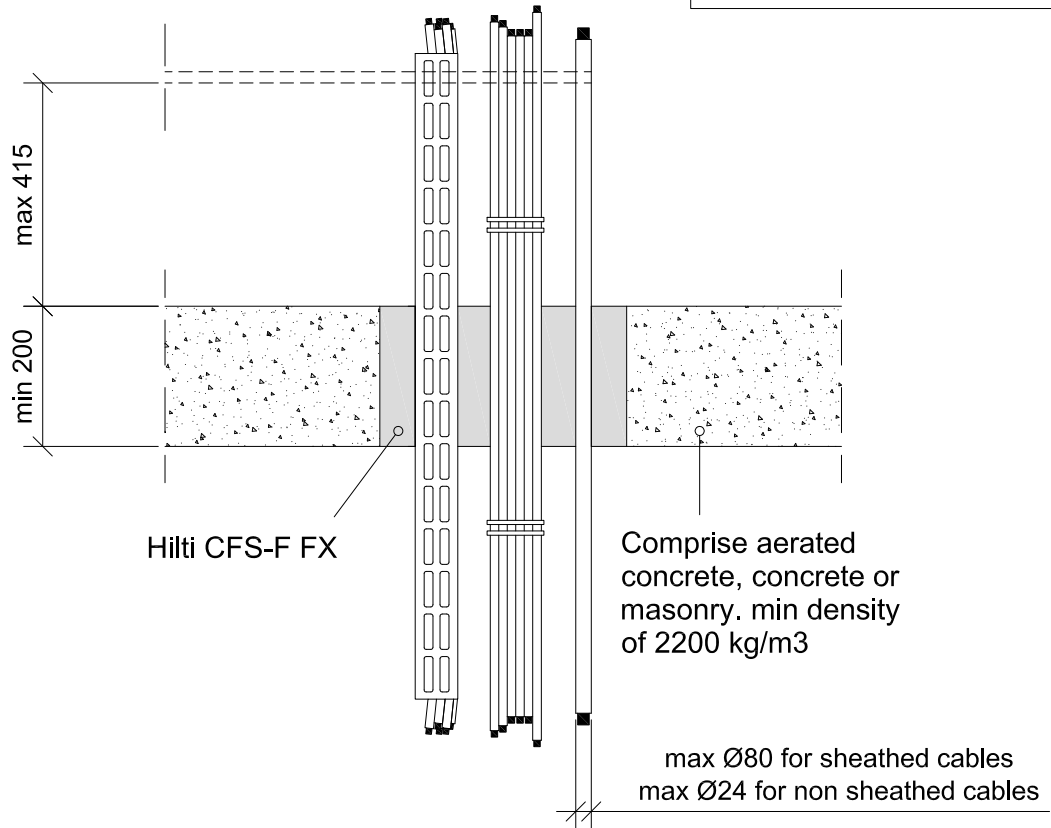
REV

00

No scale

All units are in millimetres

Fire Rating EI 90



- Approval ETA-10/0109 of 11/04/2014
- Reaction to fire acc EN 13501-1
- Fire resistance test acc 1366-3
- Installation according to Hilti instructions

Max. opening 400x400 or Ø 400 mm

Total amount of services(including insulation) is equal or lower than 60 % of the penetration surface.



CONTENTS

Multiple in a rigid floor

ID

CAB-RF-MT-0107

FIRESTOP FOAM

0107\_01

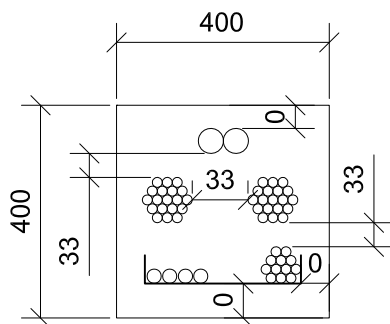
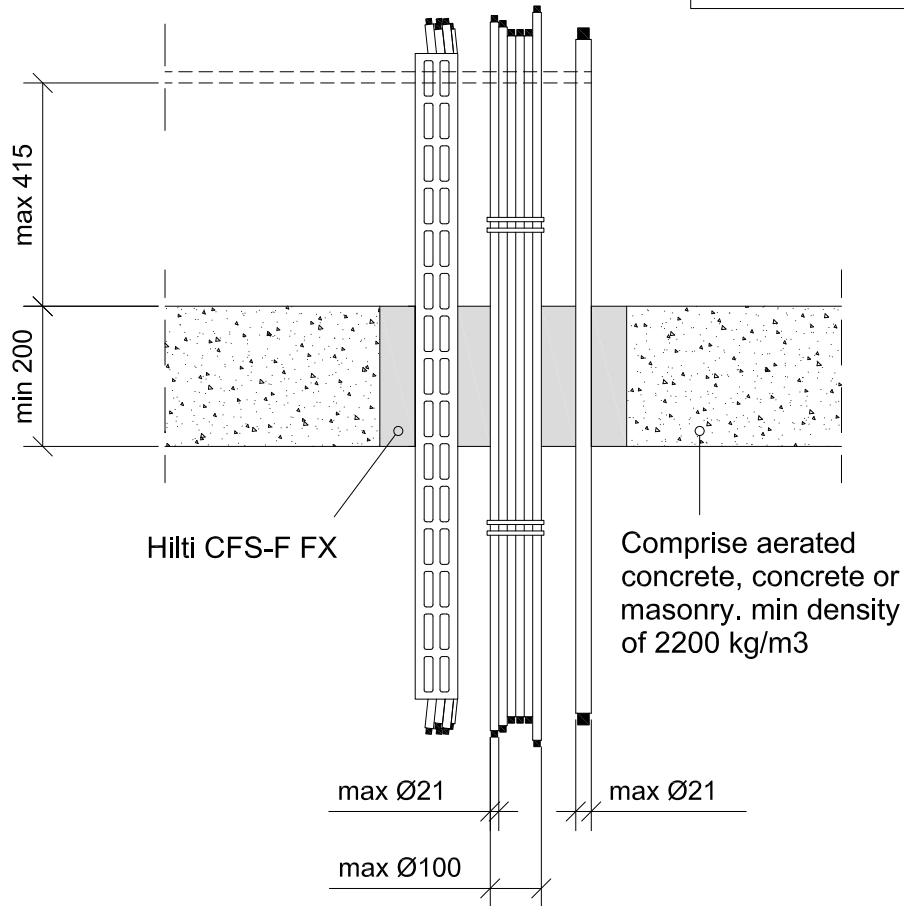
REV

00

No scale

All units are in millimetres

Fire Rating EI 120



- Approval ETA-10/0109 of 11/04/2014
- Reaction to fire acc EN 13501-1
- Fire resistance test acc 1366-3
- Installation according to Hilti instructions

Max. opening 400x400 or Ø 400 mm

Total amount of services(including insulation) is equal or lower than 60 % of the penetration surface.