

Schémas d'application pour le mastic coupe-feu intumescent CFS-IS



Applications pour câbles unitaires, bottes de câbles et conduits

Câbles unitaires et bottes de câbles

- Application en cloison épaisseur 100 mm (dimensions maximum de l'ouverture 150 x 150 ou Ø équivalent) CAB-FW-BD-0209/210
- Application en voile rigide épaisseur 100 mm (dimensions maximum de l'ouverture 150 x 150 ou Ø équivalent) CAB-RW-BD-0213/214/215
- Application en dalle rigide épaisseur 150 mm (dimensions maximum de l'ouverture 150 x 150 ou Ø équivalent) CAB-RF-BD-0217/218

Câbles unitaires

- Application en cloison épaisseur 100 mm (dimensions maximum de l'ouverture 150 x 150 ou Ø équivalent) CAB-FW-SG-0211

Conduits acier et plastique

- Application en cloison épaisseur 100 mm (dimensions maximum de l'ouverture 150 x 150 ou Ø équivalent) CAB-FW-CD-0212
- Application en voile rigide épaisseur 100 mm (dimensions maximum de l'ouverture 150 x 150 ou Ø équivalent) CAB-RW-CD-0216
- Application en dalle rigide épaisseur 150 mm (dimensions maximum de l'ouverture 150 x 150 ou Ø équivalent) CAB-RF-CD-0219/220

*) Tous les schémas sont également disponibles sur demande en format DWG pour faciliter l'insertion sur des plans.



CONTENTS

Single and cable bundles in a flexible wall

ID

CAB-FW-BD-0209

FIRESTOP INTUMESCENT SEALANT

0209_01

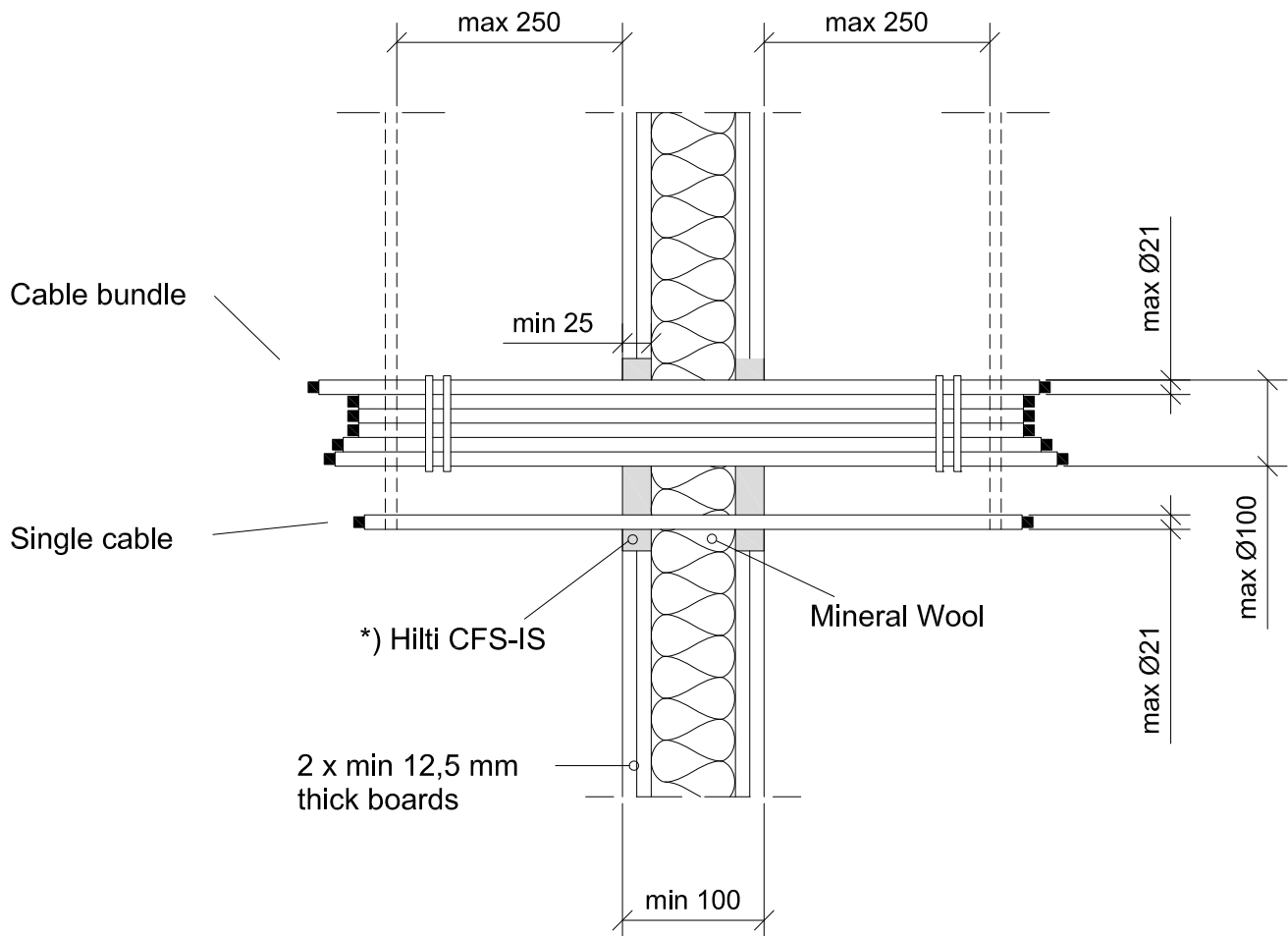
REV

00

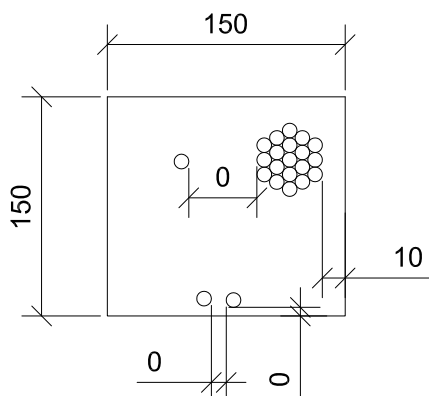
No scale

All units are in millimetres

Fire Rating EI 90



Max. opening (150x150 or circular openings of equivalent area) and minimum distance



- Approval ETA-10/0406 of 28/06/2013
- Reaction to fire acc EN 13501-1
- Fire resistance test acc 1366-3
- Installation according to Hilti instructions

*) CFS-IS on both sides, thickness 25 mm, mineral wool tightly compressed as backfilling material with thickness > 50 mm (gap filled completely)



CONTENTS

Single and cable bundles in a flexible wall

ID

CAB-FW-BD-0210

FIRESTOP INTUMESCENT SEALANT

0210_01

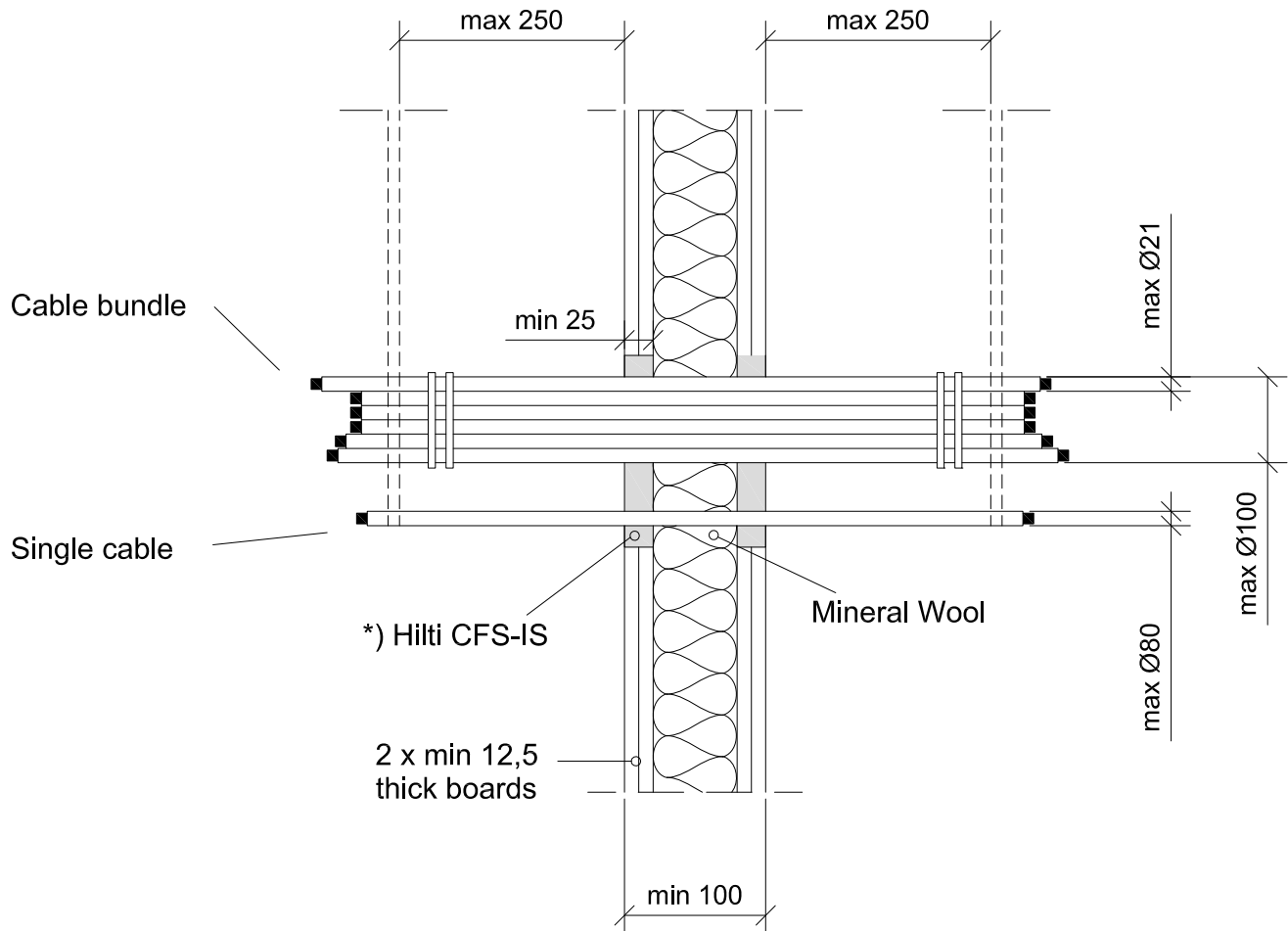
REV

00

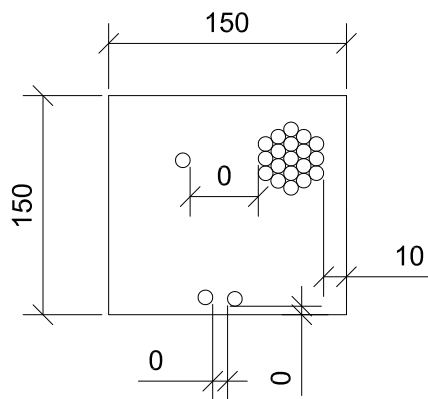
No scale

All units are in millimetres

Fire Rating EI 60



Max. opening (150x150 or circular openings of equivalent area) and minimum distance



- Approval ETA-10/0406 of 28/06/2013
- Reaction to fire acc EN 13501-1
- Fire resistance test acc 1366-3
- Installation according to Hilti instructions

*) CFS-IS on both sides, thickness 25 mm, mineral wool tightly compressed as backfilling material with thickness > 50 mm (gap filled completely)



CONTENTS

Single cables in a flexible wall

ID

CAB-FW-SG-0211

FIRESTOP INTUMESCENT
SEALANT

0211_01

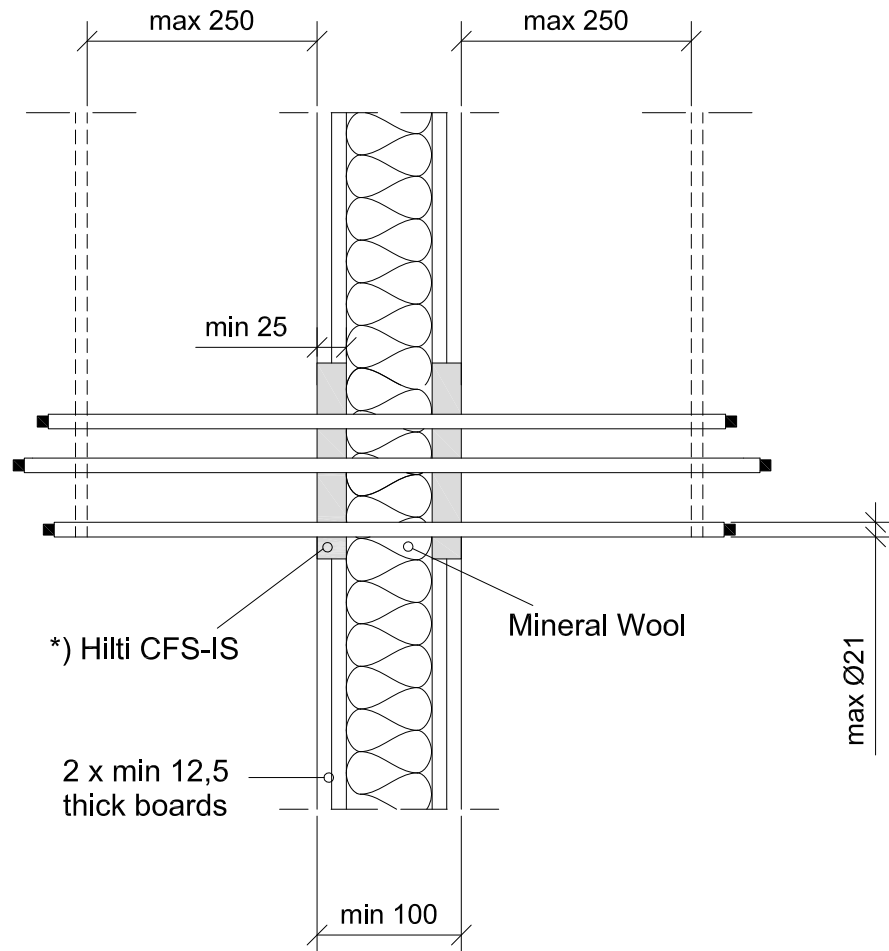
REV

00

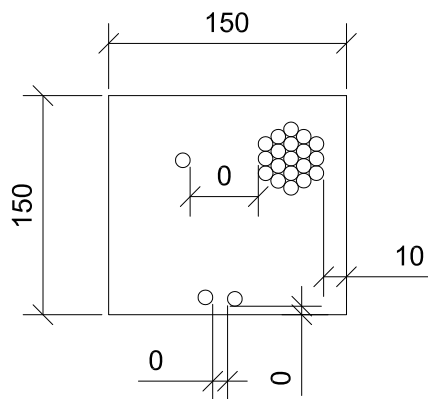
No scale

All units are in milimetres

Fire Rating EI 120



Max. opening (150x150 or circular openings of equivalent area) and minimum distance



- Approval ETA-10/0406 of 28/06/2013
- Reaction to fire acc EN 13501-1
- Fire resistance test acc 1366-3
- Installation according to Hilti instructions

*) CFS-IS on both sides, thickness 25 mm, mineral wool tightly compressed as backfilling material with thickness > 50 mm (gap filled completely)



CONTENTS

Steel and plastic conduits in a flexible wall

ID

CAB-FW-CD-0212

FIRESTOP INTUMESCENT SEALANT

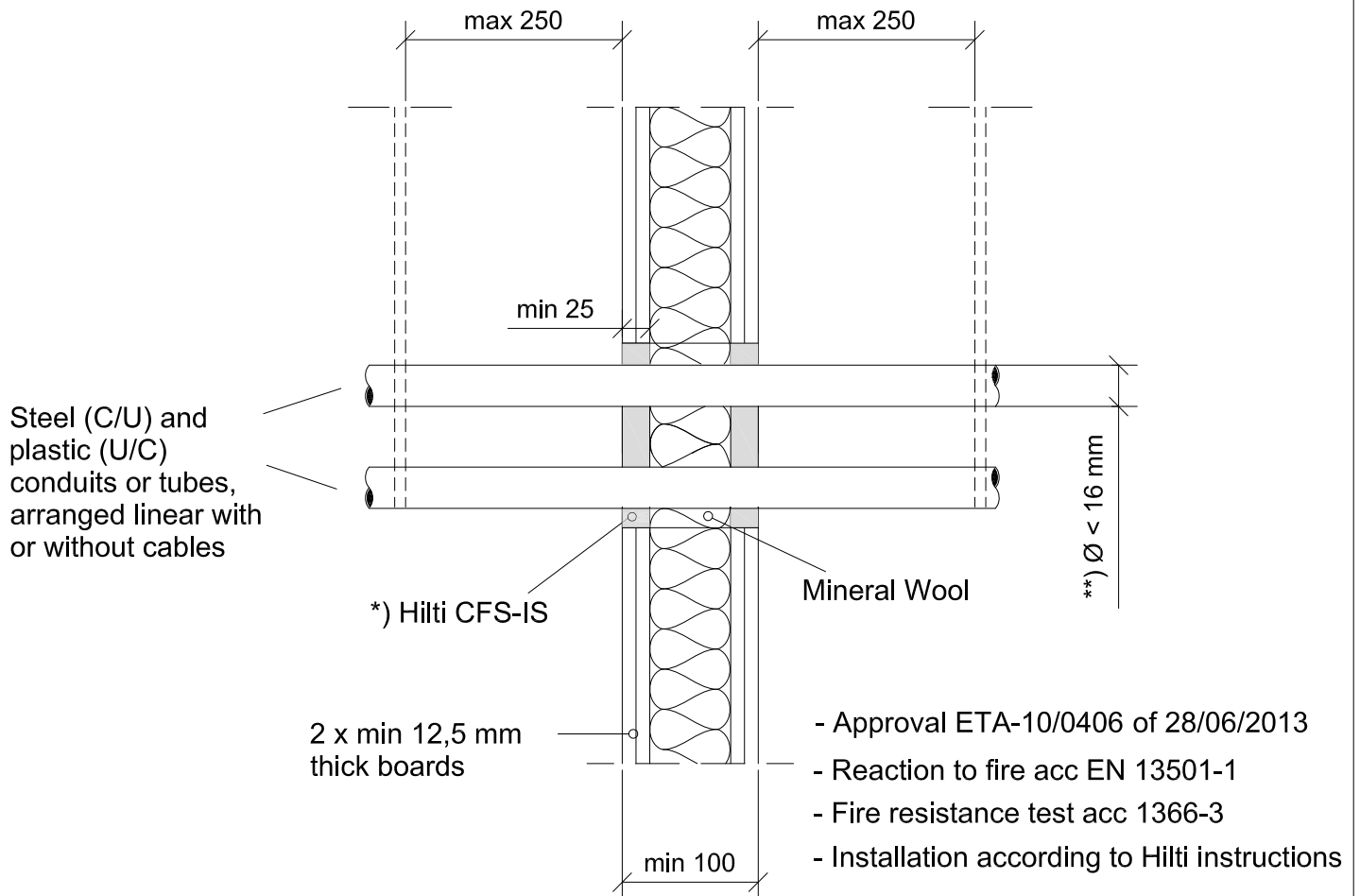
0212_01

REV 00

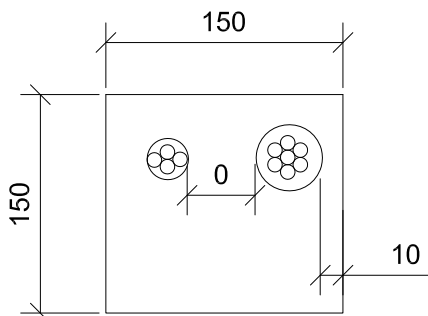
No scale

All units are in millimetres

Fire Rating EI 120



Max. opening (150x150 or circular openings of equivalent area) and minimum distance



*) CFS-IS on both sides, thickness 25 mm, mineral wool tightly compressed as backfilling material with thickness > 50 mm (gap filled completely)

**) Valid also for plastic conduits, $\varnothing < 32$ mm with wall thickness 1-3 mm, arranged linear or in a cluster, with or without cables. (distance between conduits to other services = 10 mm)



CONTENTS

Single and cable bundles in a rigid wall

ID

CAB-RW-BD-0213

FIRESTOP INTUMESCENT SEALANT

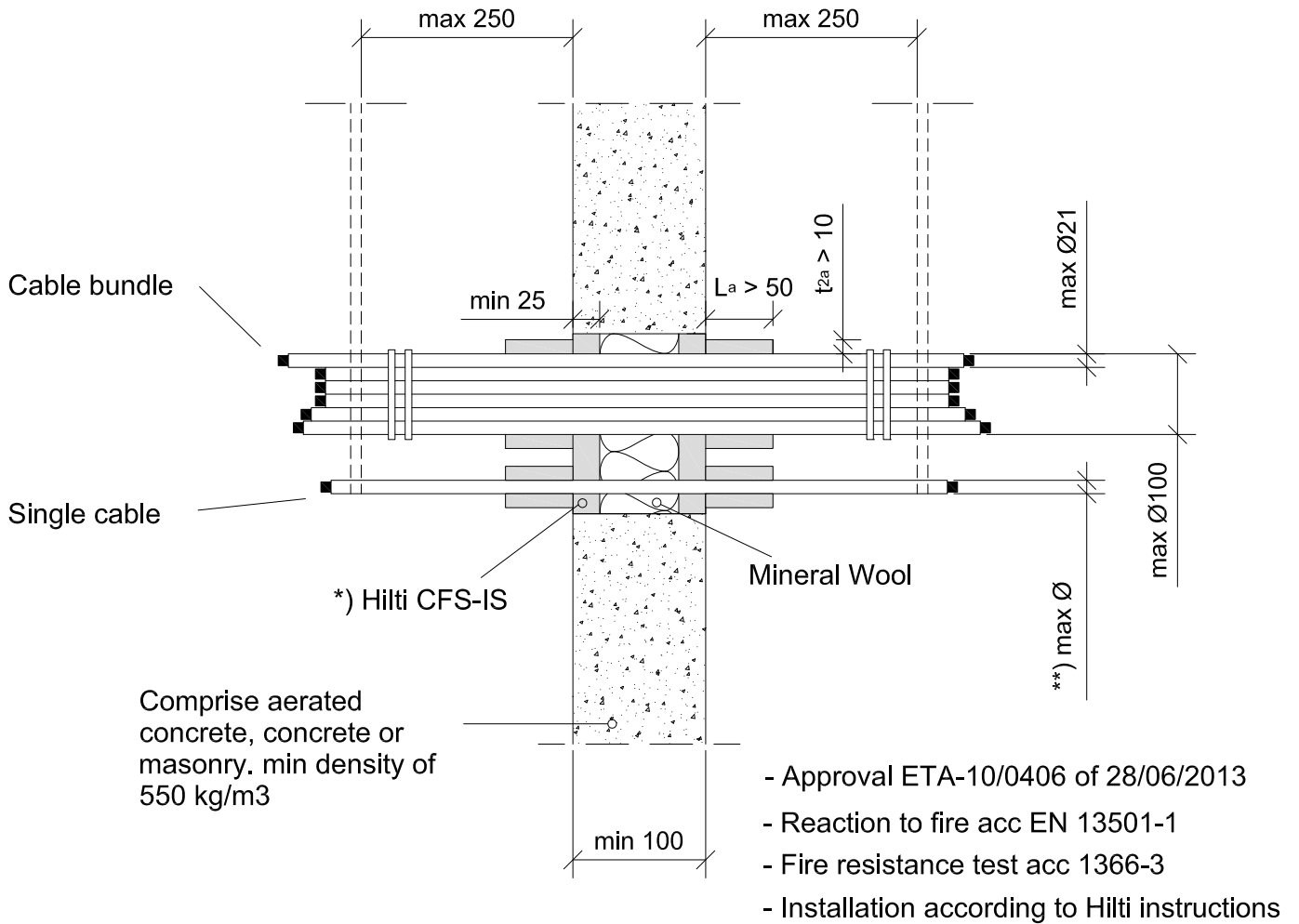
0213_01

REV 00

No scale

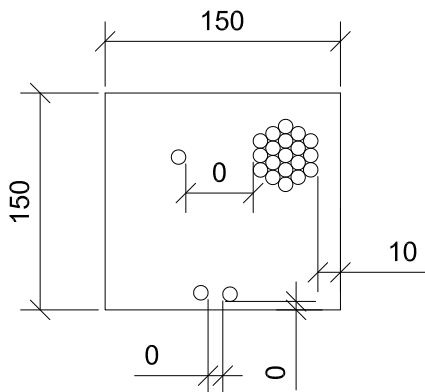
Fire Rating EI 120

All units are in millimetres



Max. opening (150x150 or circular openings of equivalent area) and minimum distance

*) CFS-IS on both sides, thickness 25 mm, mineral wool tightly compressed as backfilling material with thickness > 50 mm (gap filled completely)



**) Seal Type and Ø cables

	Seal Type 1	Seal Type 2 a)
Ø max single sheathed cable	---	80
Ø max cable bundle	---	100
Ø max for a cable in a cable bundle	---	21

a) Additional sealant CFS-IS on both sides ($t_{2a} > 10$ and $L_a > 50$)



CONTENTS

Single and cable bundles in a rigid wall

ID

CAB-RW-BD-0214

FIRESTOP INTUMESCENT SEALANT

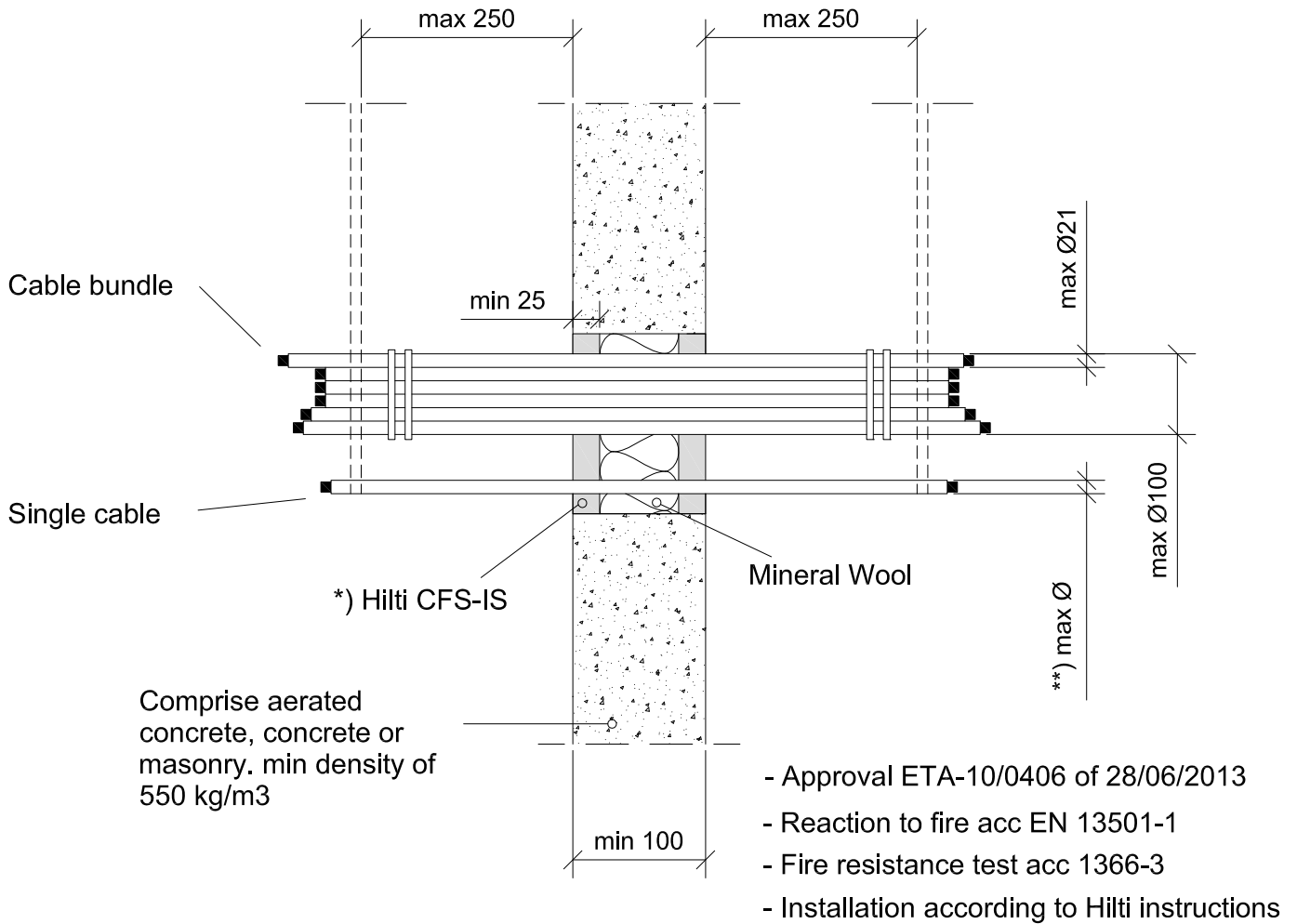
0214_01

REV 00

No scale

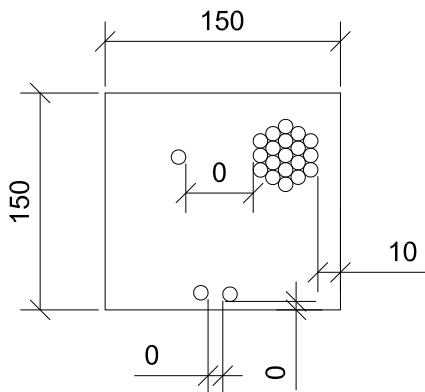
All units are in millimetres

Fire Rating EI 90



Max. opening (150x150 or circular openings of equivalent area) and minimum distance

*) CFS-IS on both sides, thickness 25 mm, mineral wool tightly compressed as backfilling material with thickness > 50 mm (gap filled completely)



**) Seal Type and Ø cables

	Seal Type 1	Seal Type 2 a)
Ø max single sheathed cable	21	80
Ø max cable bundle	100	100
Ø max for a cable in a cable bundle	21	21

a) Additional sealant CFS-IS on both sides ($t_{2a} > 10$ and $L_a > 50$)



CONTENTS

Single and cable bundles in a rigid wall

ID

CAB-RW-BD-0215

FIRESTOP INTUMESCENT SEALANT

0215_01

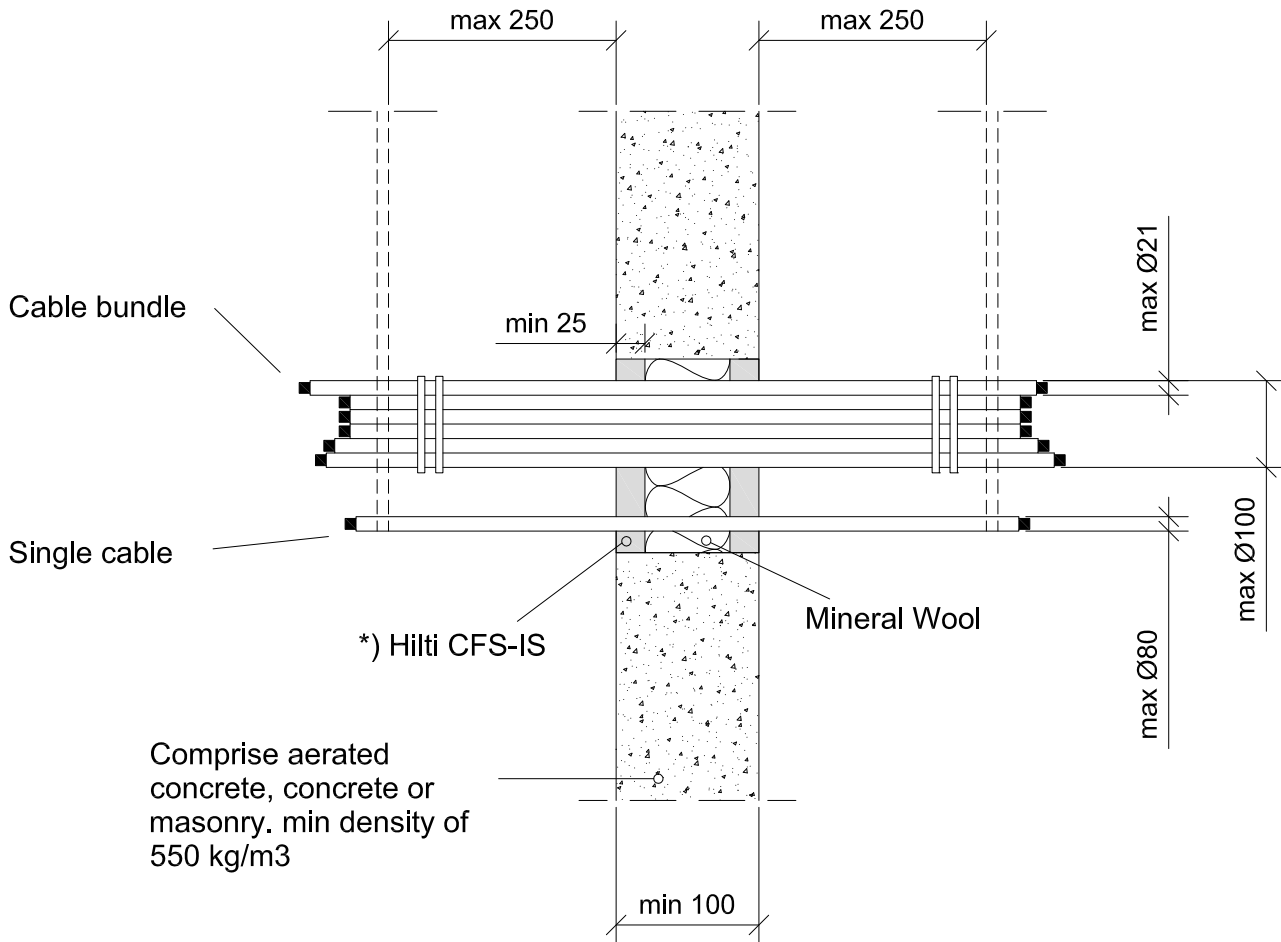
REV

00

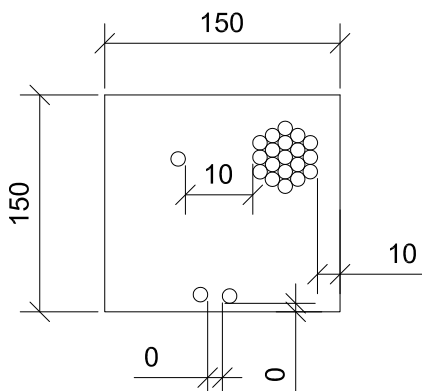
No scale

All units are in millimetres

Fire Rating EI 60



Max. opening (150x150 or circular openings of equivalent area) and minimum distance



- Approval ETA-10/0406 of 28/06/2013
- Reaction to fire acc EN 13501-1
- Fire resistance test acc 1366-3
- Installation according to Hilti instructions

*) CFS-IS on both sides, thickness 25 mm, mineral wool tightly compressed as backfilling material with thickness > 50 mm (gap filled completely)



CONTENTS

Steel and plastic conduits in a rigid wall

ID

CAB-RW-CD-0216

FIRESTOP INTUMESCENT SEALANT

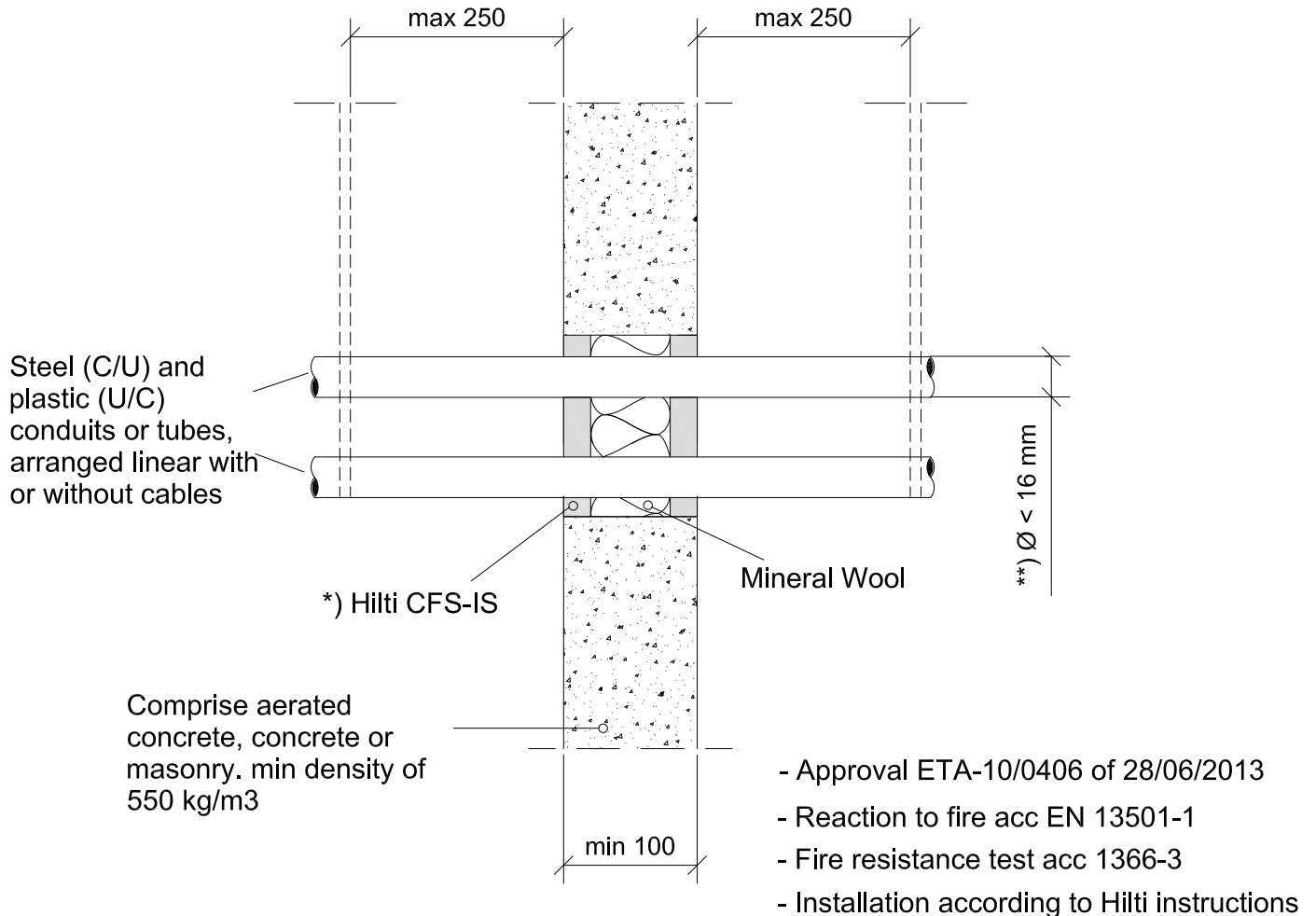
0216_01

REV 00

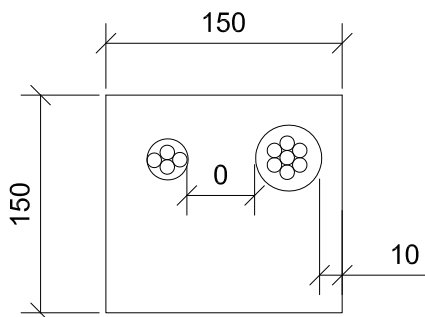
No scale

All units are in millimetres

Fire Rating EI 120



Max. opening (150x150 or circular openings of equivalent area) and minimum distance



*) CFS-IS on both sides, thickness 25 mm, mineral wool tightly compressed as backfilling material with thickness > 100 mm (gap filled completely)

**) Valid also for plastic conduits, $\varnothing < 32$ mm with wall thickness 1-3 mm, arranged linear or in a cluster, with or without cables. (distance between conduits to other services = 10 mm)



CONTENTS

Single and cable bundles in a rigid floor

ID

CAB-RF-BD-0217

FIRESTOP INTUMESCENT SEALANT

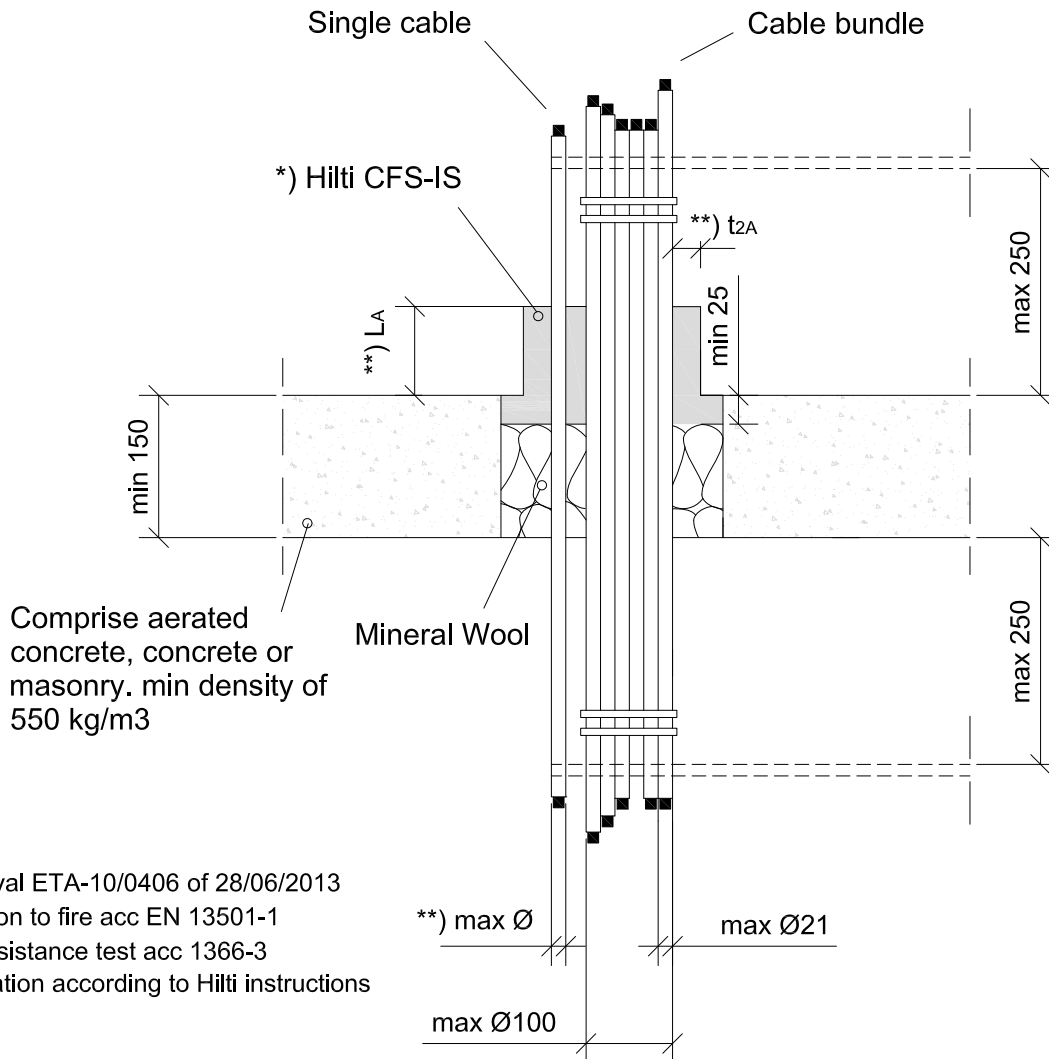
0217_01

REV 00

No scale

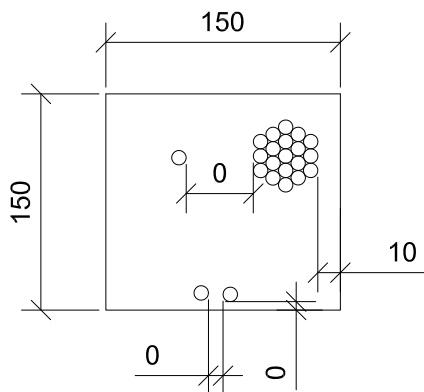
All units are in millimetres

Fire Rating EI 120



- Approval ETA-10/0406 of 28/06/2013
- Reaction to fire acc EN 13501-1
- Fire resistance test acc 1366-3
- Installation according to Hilti instructions

Max. opening (150x150 or circular openings of equivalent area) and minimum distance



**) Seal type and Ø cables

	No additional sealant	Seal type 2
LA	0	> 100
t2A	0	> 10
Ø max single cable	21	80
Ø max cable bundle	---	100
Ø max for a cable in a cable bundle	---	21

*) CFS-IS on both sides, thickness 25 mm, mineral wool tightly compressed as backfilling material with thickness > 125 mm (gap filled completely) + additional sealant type 1 or 2



CONTENTS

Single and cable bundles in a rigid floor

ID

CAB-RF-BD-0218

FIRESTOP INTUMESCENT SEALANT

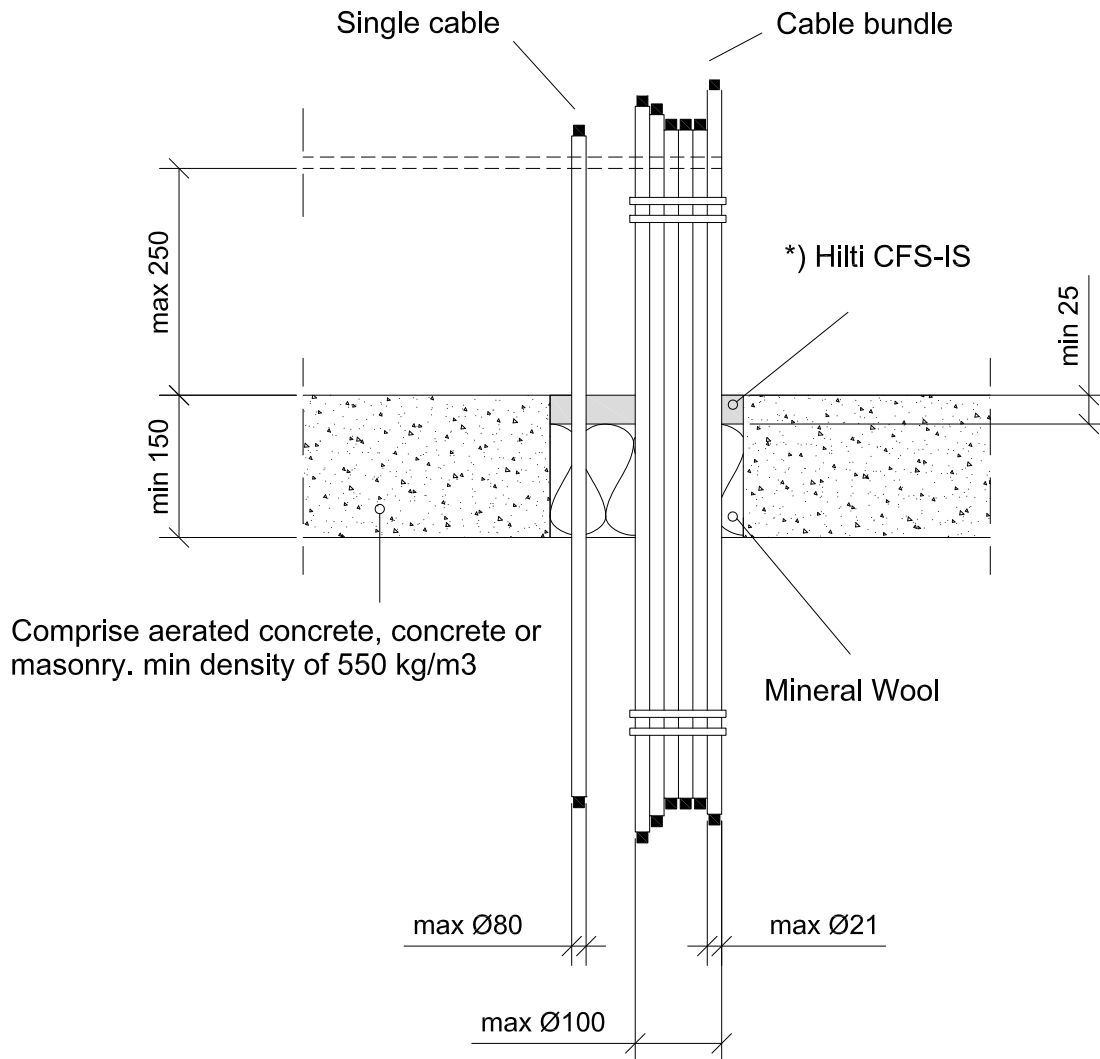
0218_01

REV 00

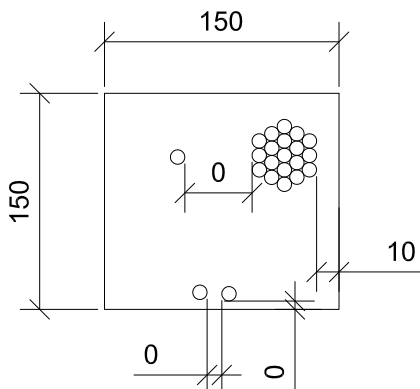
No scale

All units are in millimetres

Fire Rating EI 90



Max. opening (150x150 or circular openings of equivalent area) and minimum distance



- Approval ETA-10/0406 of 28/06/2013
- Reaction to fire acc EN 13501-1
- Fire resistance test acc 1366-3
- Installation according to Hilti instructions

*) CFS-IS on both sides, thickness 25 mm, mineral wool tightly compressed as backfilling material with thickness > 125 mm (gap filled completely) + additional sealant type 1



CONTENTS

Steel and plastic conduits in a rigid floor

ID

CAB-RF-CD-0219

FIRESTOP INTUMESCENT SEALANT

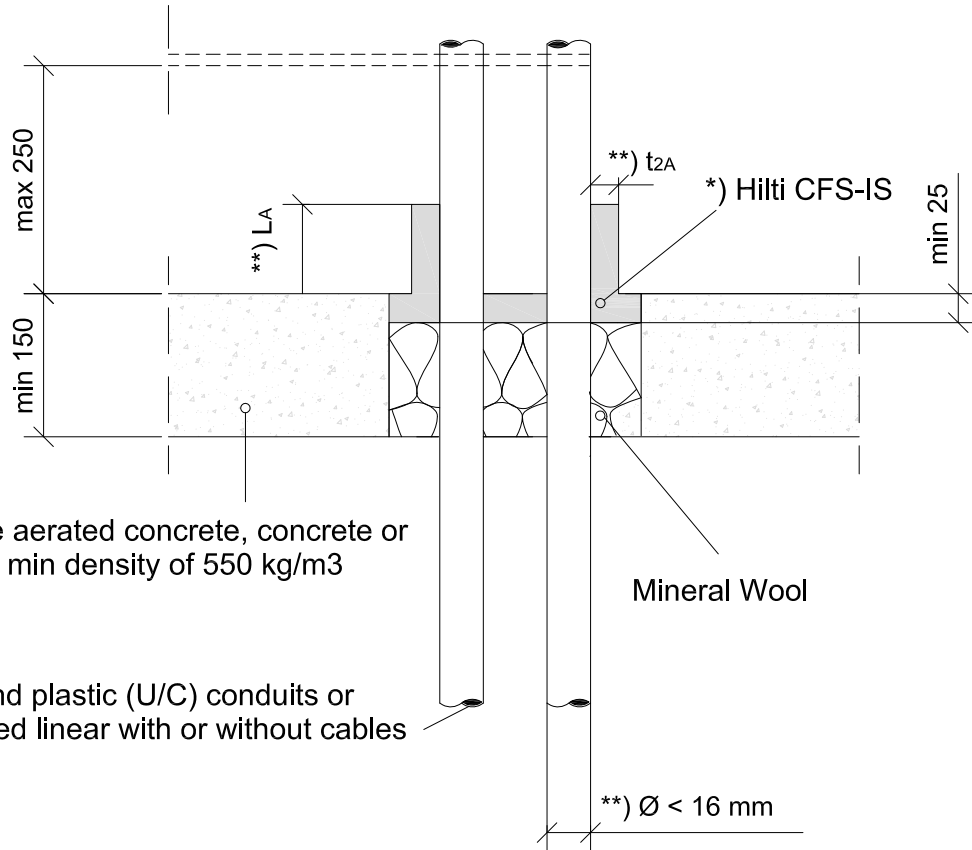
0219_01

REV 00

No scale

All units are in millimetres

Fire Rating EI 120



Comprise aerated concrete, concrete or masonry. min density of 550 kg/m³

Steel (C/U) and plastic (U/C) conduits or tubes, arranged linear with or without cables

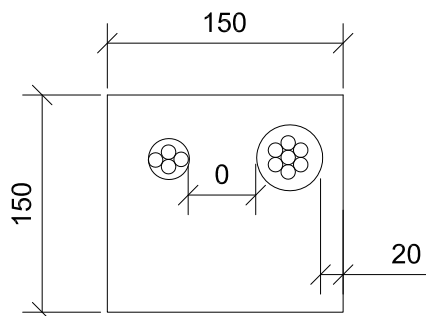
Mineral Wool

**) $\varnothing < 16 \text{ mm}$

- Approval ETA-10/0406 of 28/06/2013
- Reaction to fire acc EN 13501-1
- Fire resistance test acc 1366-3
- Installation according to Hilti instructions

*) CFS-IS on both sides, thickness 25 mm, mineral wool tightly compressed as backfilling material with thickness > 125 mm (gap filled completely) + additional sealant type 1 or 2

Max. opening (150x150 or circular openings of equivalent area) and minimum distance



**) Seal type

	Seal type 1 top only	Seal type 2 both sides
LA	> 50	> 50
t _{2A}	> 10	> 10

With seal type 2 valid also for plastic conduits, $\varnothing < 32 \text{ mm}$ with wall thickness 1-3 mm, arranged linear or in a cluster, with or without cables. (distance between conduits to other services = 10 mm)



CONTENTS

Steel and plastic conduits in a rigid floor

ID

CAB-RF-CD-0220

FIRESTOP INTUMESCENT SEALANT

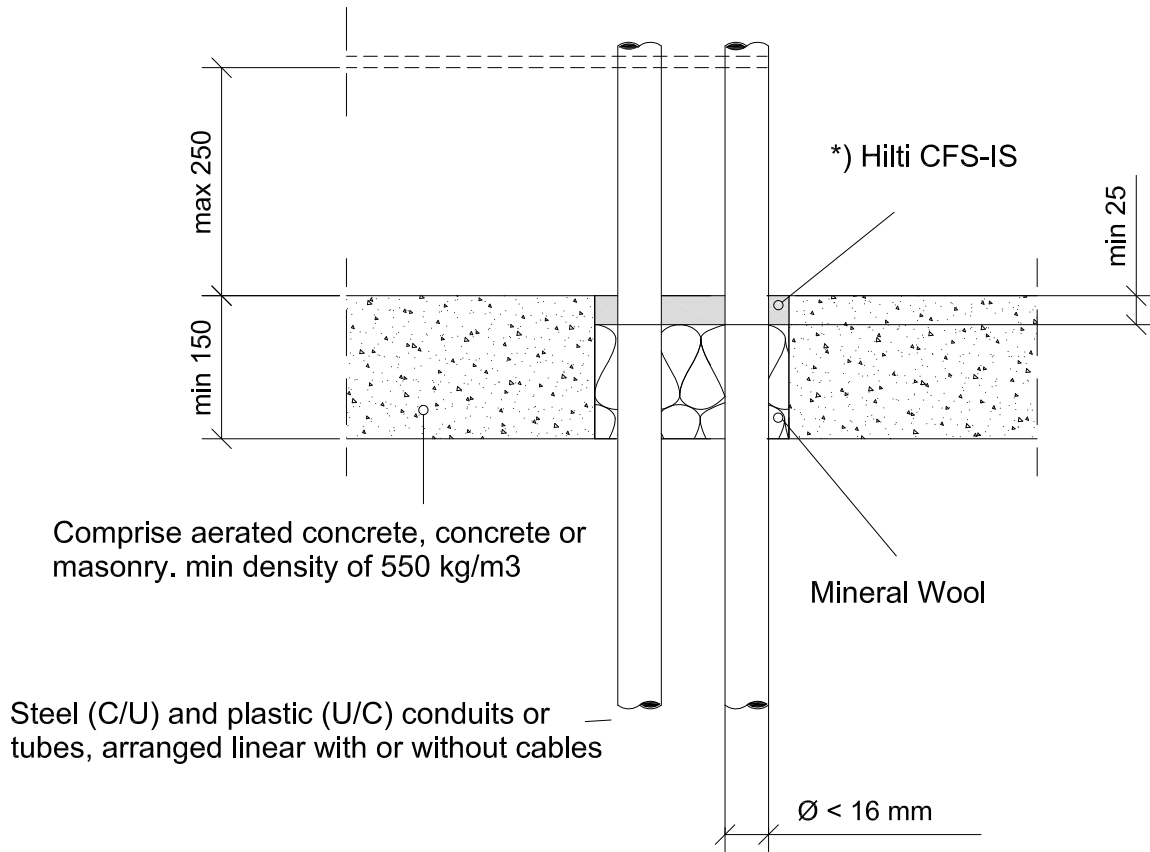
0220_01

REV 00

No scale

All units are in millimetres

Fire Rating EI 90



Comprise aerated concrete, concrete or masonry. min density of 550 kg/m³

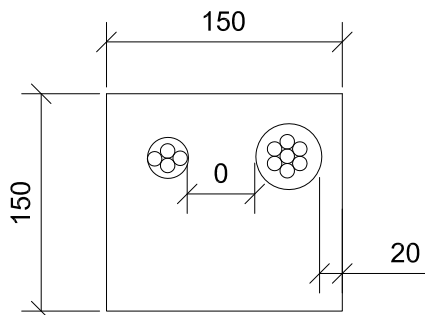
Steel (C/U) and plastic (U/C) conduits or tubes, arranged linear with or without cables

*) Hilti CFS-IS

Mineral Wool

$\varnothing < 16 \text{ mm}$

Max. opening (150x150 or circular openings of equivalent area) and minimum distance



- Approval ETA-10/0406 of 28/06/2013
- Reaction to fire acc EN 13501-1
- Fire resistance test acc 1366-3
- Installation according to Hilti instructions

*) CFS-IS on both sides, thickness 25 mm, mineral wool tightly compressed as backfilling material with thickness > 100 mm (gap filled completely)