

Schémas d'application pour le manchon coupe-feu CFS-SL



Applications pour câbles unitaires et bottes de câbles

- Application en cloison épaisseur 100 - 300 mm
(dimensions maximum de l'ouverture \varnothing 113-122) CAB-FW-BD-0002
- Application en cloison épaisseur 100 - 300 mm
(dimensions maximum de l'ouverture \varnothing 63-122) CAB-FW-BD-0003
- Application en voile rigide épaisseur 100 - 300 mm
(dimensions maximum de l'ouverture \varnothing 113-122) CAB-RW-BD-0005
- Application en voile rigide épaisseur 100 - 300 mm
(dimensions maximum de l'ouverture \varnothing 63-122) CAB-RW-BD-0006
- Application en dalle rigide épaisseur 100 - 300 mm
(dimensions maximum de l'ouverture \varnothing 113-122) CAB-RF-BD-0007
- Application en dalle rigide épaisseur 100 - 300 mm
(dimensions maximum de l'ouverture \varnothing 63-122) CAB-RF-BD-0008

- Câbles unitaires en cloison épaisseur 100 - 300 mm
(dimensions maximum de l'ouverture \varnothing 113-122) CAB-FW-SG-0001
- Câbles unitaires en voile rigide épaisseur 100 - 300 mm
(dimensions maximum de l'ouverture \varnothing 113-122) CAB-RW-SG-0004

*) Tous les schémas sont également disponibles sur demande en format DWG pour faciliter l'insertion sur des plans.



CONTENTS

Single cables in a flexible wall

ID

CAB-FW-SG-0001

FIRESTOP SLEEVE

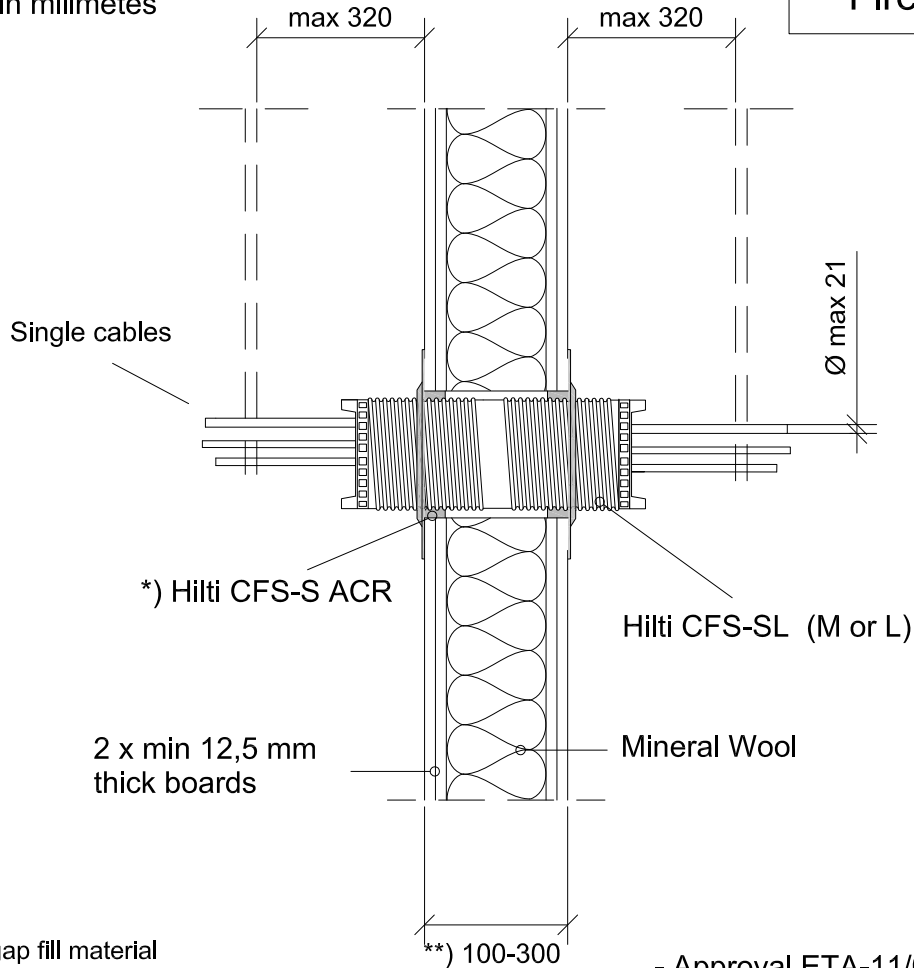
0001_01

REV
00

No scale

All units are in millimetres

Fire Rating EI 120



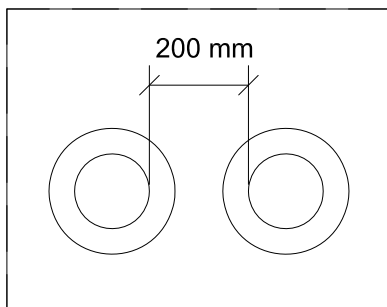
*) Annular gap fill material

Hilti Firestop Acrylic Sealant CFS-S ACR is used to seal the gap between opening edge and sleeve, on both sides of the wall.

Opening Size: CFS-SL S 63-73 mm
CFS-SL M 113-122 mm
CFS-SL L 113-122 mm

- Approval ETA-11/0153 of 28/06/2013
- Reaction to fire acc EN 13501-1
- Fire resistance test acc 1366-3
- Installation according to Hilti instructions

**) Wall thickness and Ø cables



Minimum distance between seals

	CFS-SL M	CFS-SL L
Wall thickness	100-200	200-300
Ø max single cable	21	21



CONTENTS

Single and cable bundles in a flexible wall

ID

CAB-FW-BD-0002

FIRESTOP SLEEVE

0002_01

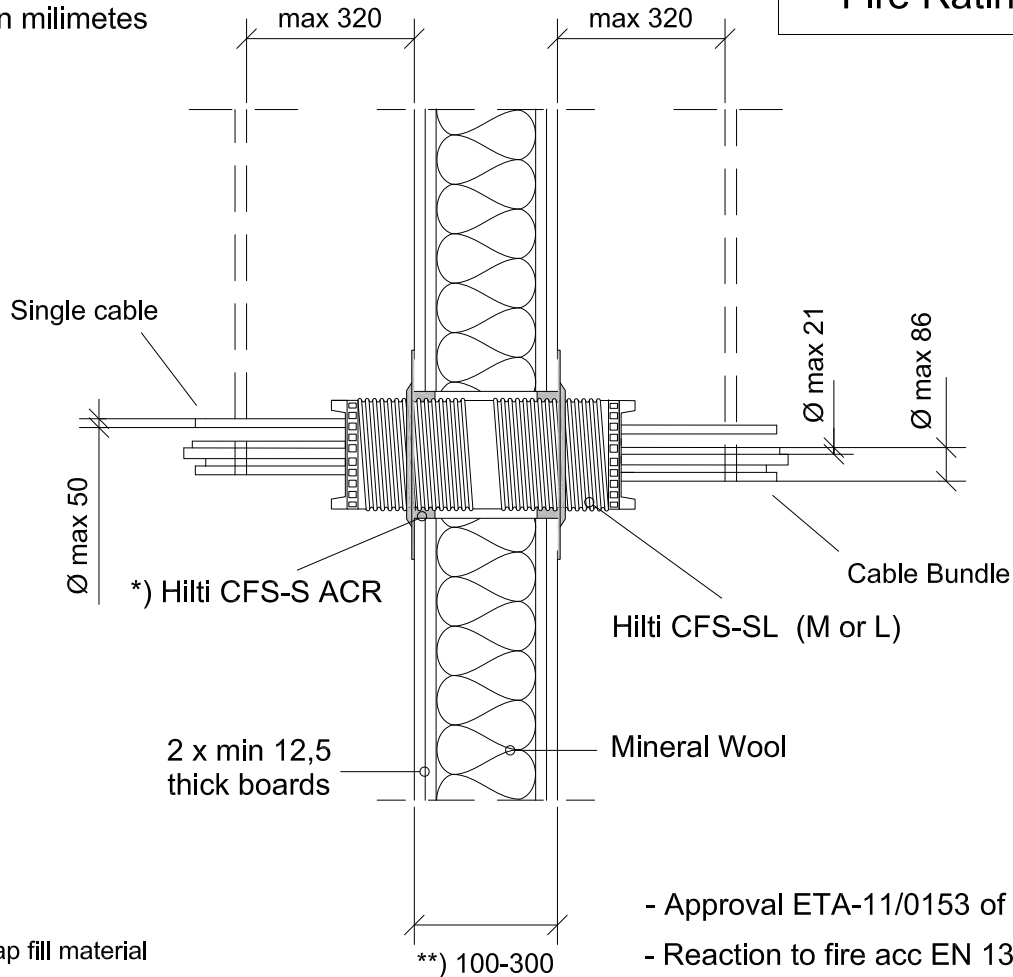
REV

00

No scale

All units are in millimetres

Fire Rating EI 90



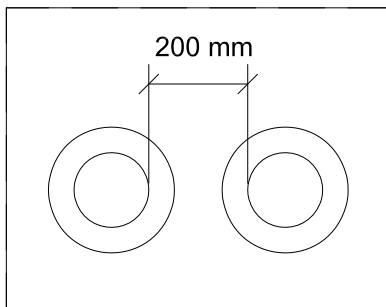
*) Annular gap fill material

Hilti Firestop Acrylic Sealant CFS-S ACR is used to seal the gap between opening edge and sleeve, on both sides of the wall.

Opening Size: CFS-SL S 63-73 mm
 CFS-SL M 113-122 mm
 CFS-SL L 113-122 mm

- Approval ETA-11/0153 of 28/06/2013
- Reaction to fire acc EN 13501-1
- Fire resistance test acc 1366-3
- Installation according to Hilti instructions

**) Wall thickness and Ø cables



Minimum distance between seals

	CFS-SL M	CFS-SL L
Wall thickness	100-200	200-300
Ø max single cable	50	50
Ø max cable bundle	86	86
Ø max for a cable in a cable bundle	21	21



CONTENTS

Single and cable bundles in a flexible wall

ID

CAB-FW-BD-0003

FIRESTOP SLEEVE

0003_01

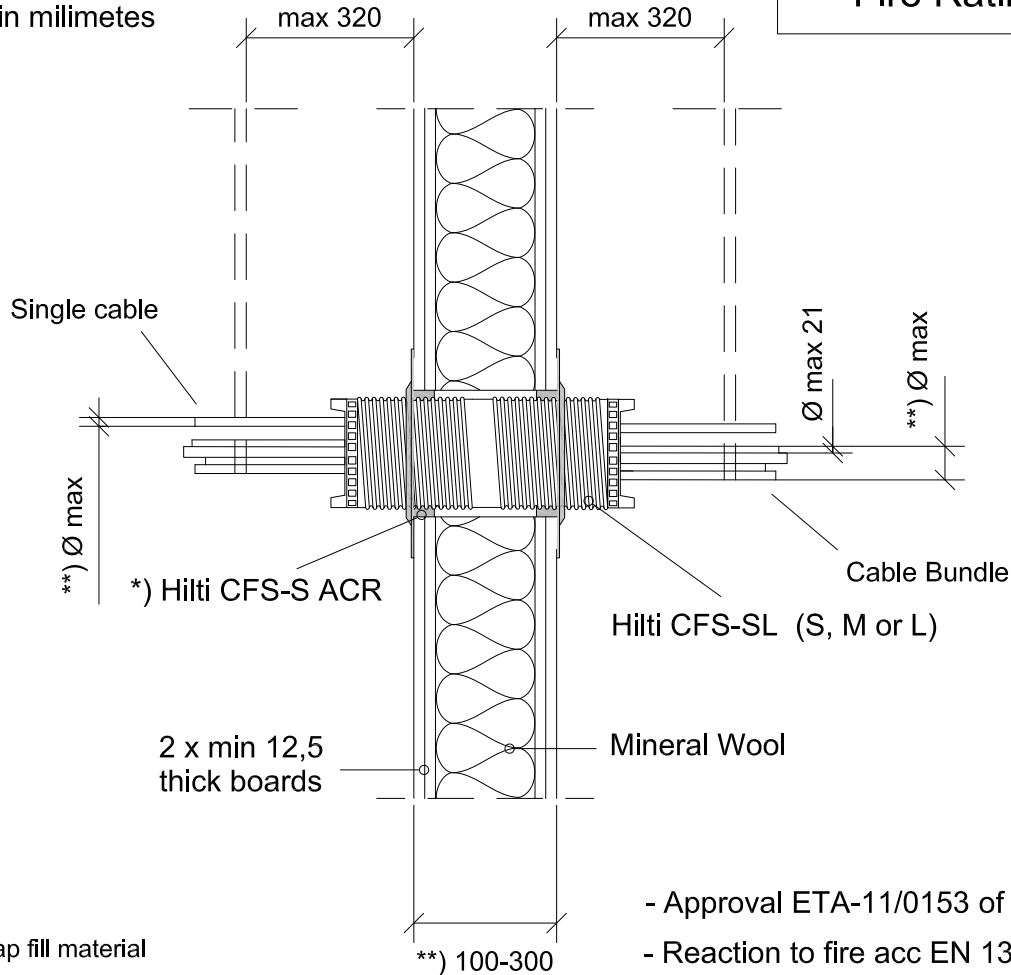
REV

00

No scale

All units are in millimetres

Fire Rating EI 60



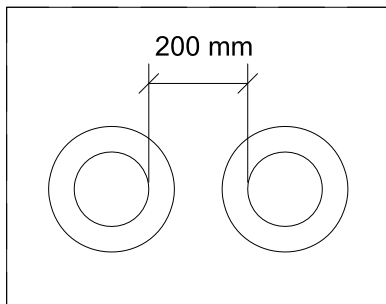
*) Annular gap fill material

Hilti Firestop Acrylic Sealant CFS-S ACR is used to seal the gap between opening edge and sleeve, on both sides of the wall.

Opening Size:	CFS-SL S	63-73 mm
	CFS-SL M	113-122 mm
	CFS-SL L	113-122 mm

- Approval ETA-11/0153 of 28/06/2013
- Reaction to fire acc EN 13501-1
- Fire resistance test acc 1366-3
- Installation according to Hilti instructions

**) Wall thickness and Ø cables



Minimum distance between seals

	CFS-SL S	CFS-SL M	CFS-SL L
Wall thickness	100-200	100-200	200-300
Ø max single cable	21	80	80
Ø max cable bundle	36	86	86
Ø max for a cable in a cable bundle	21	21	21



CONTENTS

Single cables in a rigid wall

ID

CAB-RW-SG-0004

FIRESTOP SLEEVE

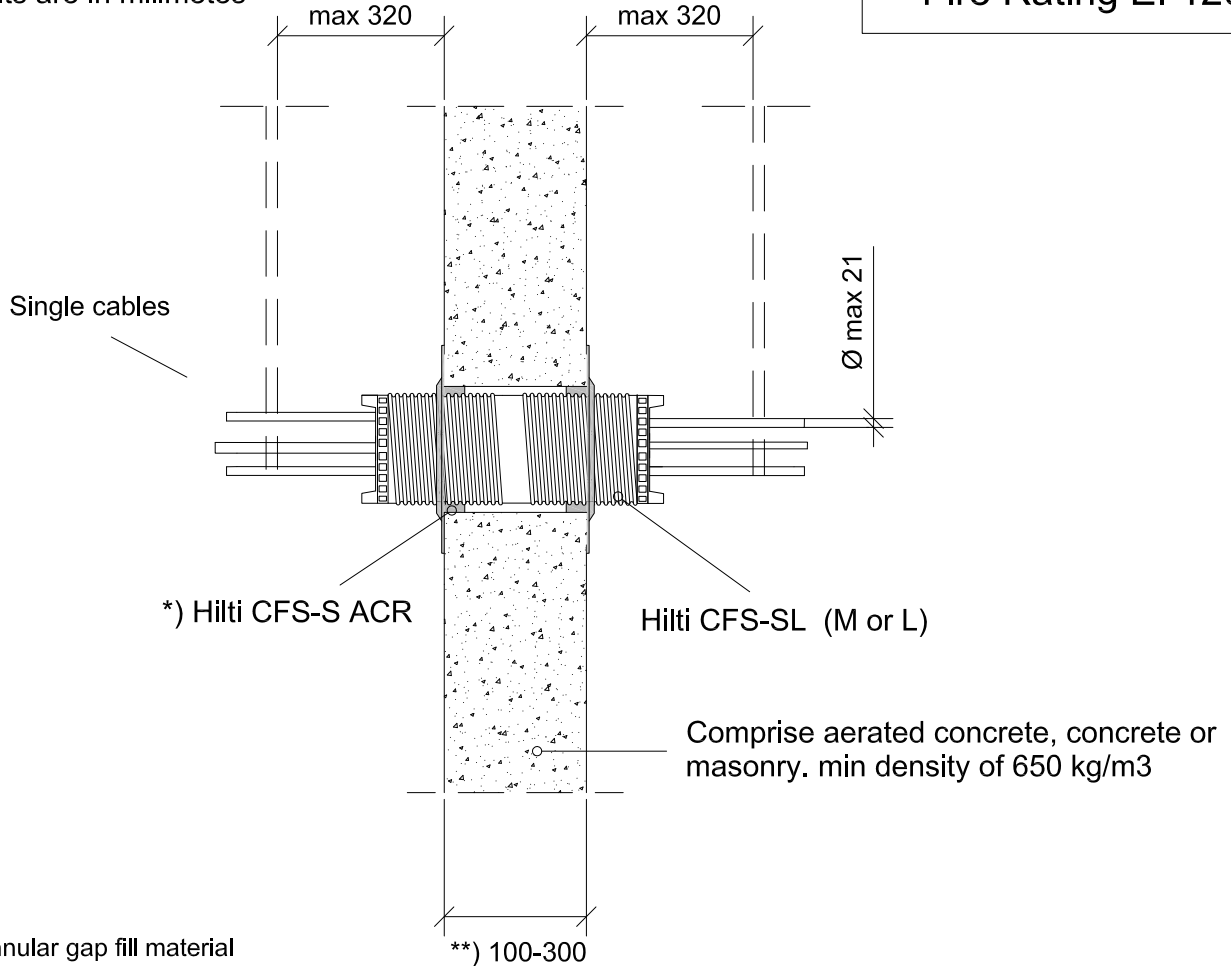
0004_01

REV
00

No scale

All units are in millimetres

Fire Rating EI 120



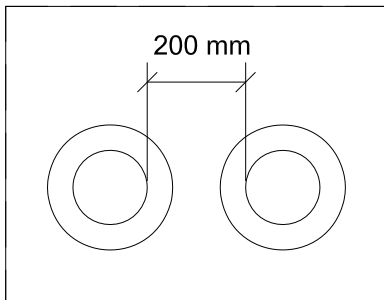
*) Annular gap fill material

***) 100-300

Hilti Firestop Acrylic Sealant CFS-S ACR is used to seal the gap between opening edge and sleeve, on both sides of the wall.

Opening Size:	CFS-SL S	63-73 mm
	CFS-SL M	113-122 mm
	CFS-SL L	113-122 mm

- Approval ETA-11/0153 of 28/06/2013
- Reaction to fire acc EN 13501-1
- Fire resistance test acc 1366-3
- Installation according to Hilti instructions



Minimum distance between seals

***) Wall thickness and Ø cables

	CFS-SL M	CFS-SL L
Wall thickness	100-200	200-300
Ø max single cable	21	21



CONTENTS

Single and cable bundles in a rigid wall

ID

CAB-RW-BD-0005

FIRESTOP SLEEVE

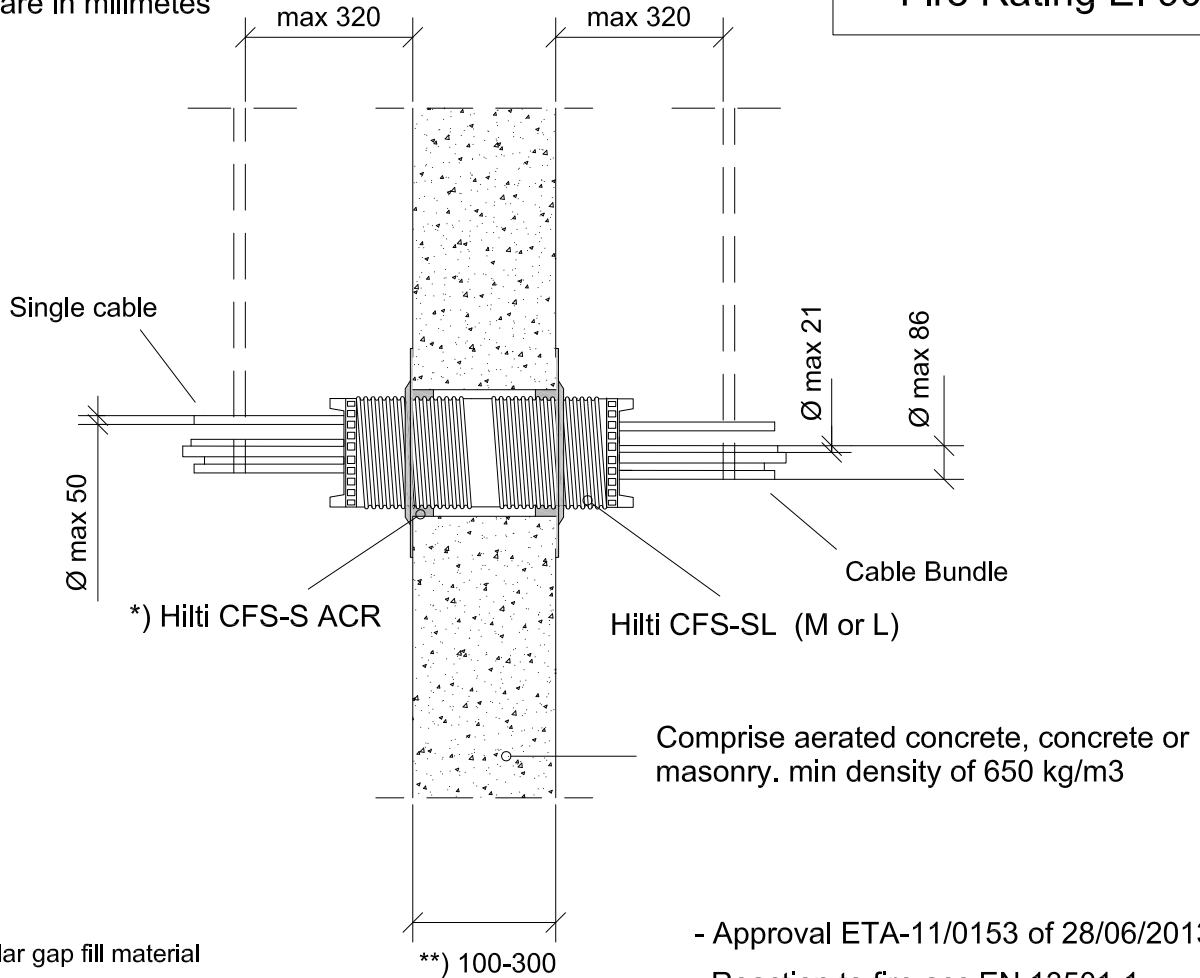
0005_01

REV 00

No scale

All units are in millimetres

Fire Rating EI 90



*) Annular gap fill material

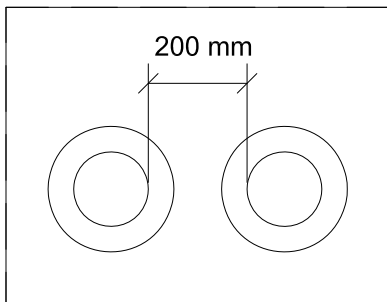
**) 100-300

- Approval ETA-11/0153 of 28/06/2013
- Reaction to fire acc EN 13501-1
- Fire resistance test acc 1366-3
- Installation according to Hilti instructions

Hilti Firestop Acrylic Sealant CFS-S ACR is used to seal the gap between opening edge and sleeve, on both sides of the wall.

Opening Size:	CFS-SL S	63-73 mm
	CFS-SL M	113-122 mm
	CFS-SL L	113-122 mm

**) Wall thickness and Ø cables



Minimum distance between seals

	CFS-SL M	CFS-SL L
Wall thickness	100-200	200-300
Ø max single cable	50	50
Ø max cable bundle	86	86
Ø max for a cable in a cable bundle	21	21



CONTENTS

Single and cable bundles in a rigid wall

ID

CAB-RW-BD-0006

FIRESTOP SLEEVE

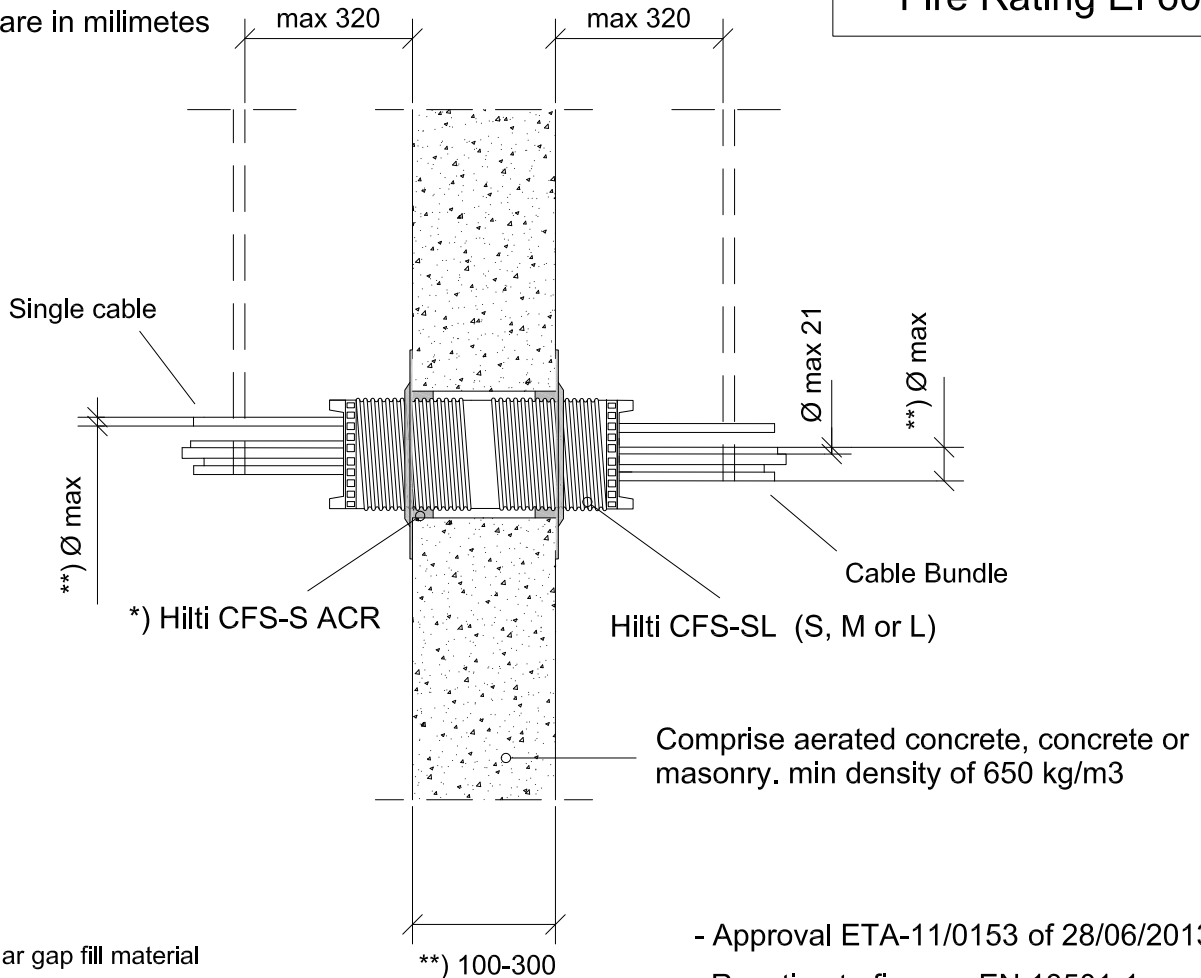
0006_01

REV 00

No scale

Fire Rating EI 60

All units are in millimetres



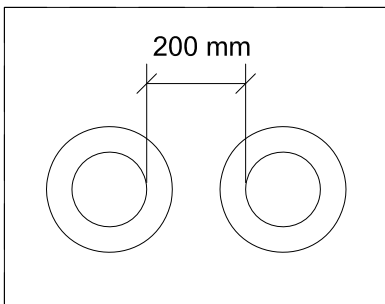
*) Annular gap fill material

Hilti Firestop Acrylic Sealant CFS-S ACR is used to seal the gap between opening edge and sleeve, on both sides of the wall.

Opening Size:	CFS-SL S	63-73 mm
	CFS-SL M	113-122 mm
	CFS-SL L	113-122 mm

- Approval ETA-11/0153 of 28/06/2013
- Reaction to fire acc EN 13501-1
- Fire resistance test acc 1366-3
- Installation according to Hilti instructions

**) Wall thickness and Ø cables



Minimum distance between seals

	CFS-SL S	CFS-SL M	CFS-SL L
Wall thickness	100-200	100-200	200-300
Ø max single cable	21	80	80
Ø max cable bundle	36	86	86
Ø max for a cable in a cable bundle	21	21	21



CONTENTS

Single and cable bundles in a rigid floor

ID

CAB-RF-BD-0007

FIRESTOP SLEEVE

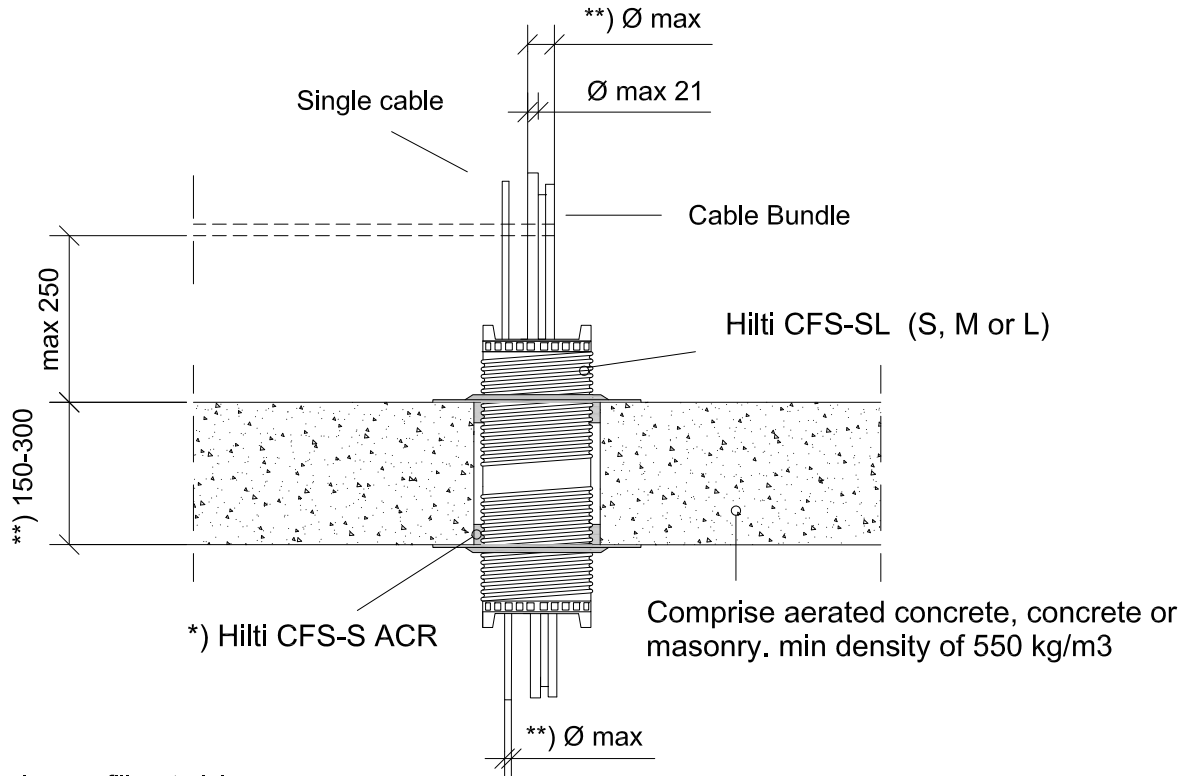
0007_01

REV
00

No scale

All units are in millimetres

Fire Rating EI 120



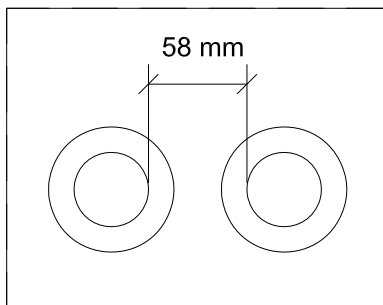
*) Annular gap fill material

Hilti Firestop Acrylic Sealant CFS-S ACR is used to seal the gap between opening edge and sleeve, on both sides of the wall.

Opening Size: CFS-SL S 63-73 mm
CFS-SL M 113-122 mm
CFS-SL L 113-122 mm

- Approval ETA-11/0153 of 28/06/2013
- Reaction to fire acc EN 13501-1
- Fire resistance test acc 1366-3
- Installation according to Hilti instructions

**) Wall thickness and Ø cables



Minimum distance between seals

	CFS-SL S	CFS-SL M	CFS-SL L
Wall thickness	150-200	150-200	250-300
Ø max single cable	21	50	50
Ø max cable bundle	36	86	86
Ø max for a cable in a cable bundle	21	21	21



CONTENTS

Single and cable bundles in a rigid floor

ID

CAB-RF-BD-0008

FIRESTOP SLEEVE

0008_01

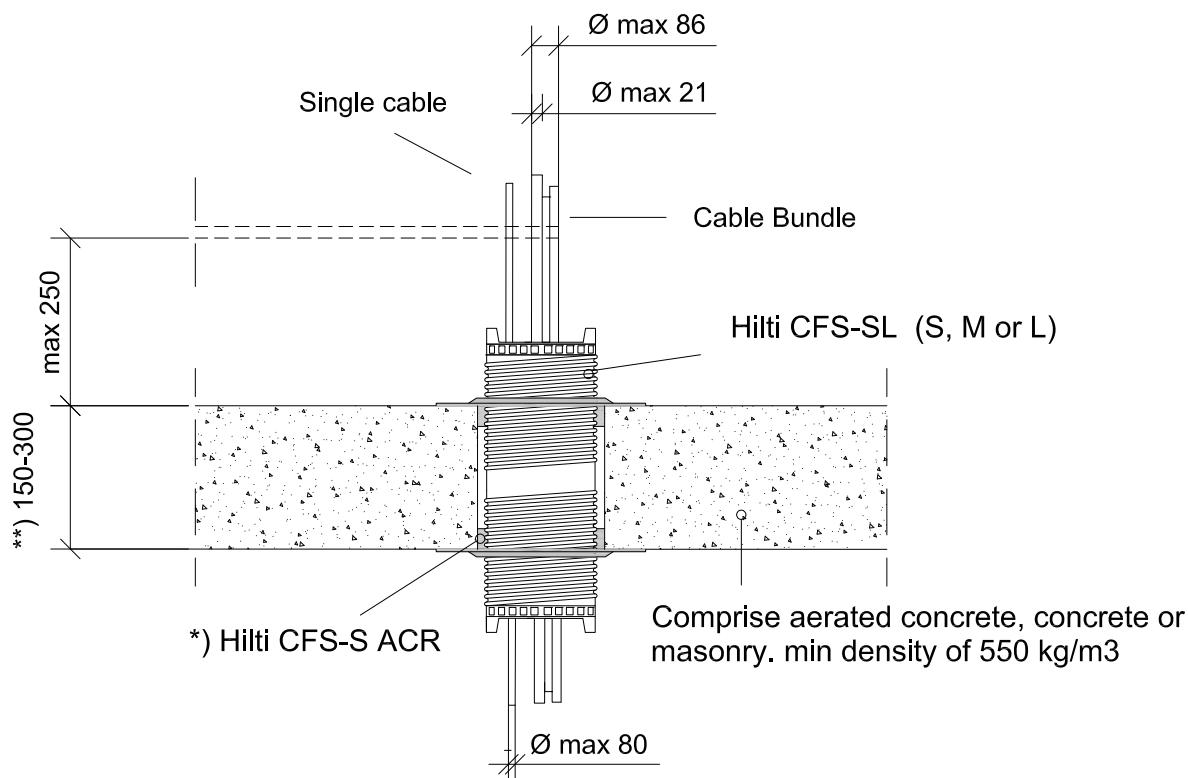
REV

00

No scale

All units are in millimetres

Fire Rating EI 60



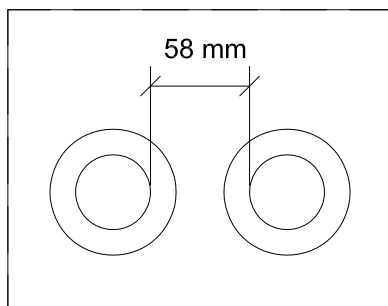
*) Annular gap fill material

Hilti Firestop Acrylic Sealant CFS-S ACR is used to seal the gap between opening edge and sleeve, on both sides of the wall.

Opening Size: CFS-SL S 63-73 mm
 CFS-SL M 113-122 mm
 CFS-SL L 113-122 mm

- Approval ETA-11/0153 of 28/06/2013
- Reaction to fire acc EN 13501-1
- Fire resistance test acc 1366-3
- Installation according to Hilti instructions

**) Wall thickness and Ø cables



Minimum distance between seals

	CFS-SL M	CFS-SL L
Wall thickness	150-200	250-300
Ø max single cable	80	80
Ø max cable bundle	86	86
Ø max for a cable in a cable bundle	21	21