

Schémas d'applications pour le collier CFS-C P



Applications de chauffage

- Tube Al composite avec isolant type Armaflex en cloison épaisseur 100 mm
HEAT-FW-AL-0064
- Tube Al composite avec isolant type Armaflex en voile rigide épaisseur 100 mm
HEAT-RW-AL-0075
- Tube Al composite avec isolant type Armaflex en dalle rigide épaisseur 150 mm
HEAT-RF-AL-0088/89
- Tube plastique PE en cloison épaisseur 100 mm
HEAT-FW-PP-0091
- Tube plastique PE en voile rigide épaisseur 100 mm
HEAT-RW-PP-0093
- Tube plastique PE en dalle rigide épaisseur 150 mm
HEAT-RF-PP-0095/96

*) Tous les schémas sont également disponibles sur demande en format DWG pour faciliter l'insertion sur des plans.



CONTENTS

Al composite pipe in a flexible wall

ID

HEAT-FW-AL-0064

FIRESTOP COLLAR

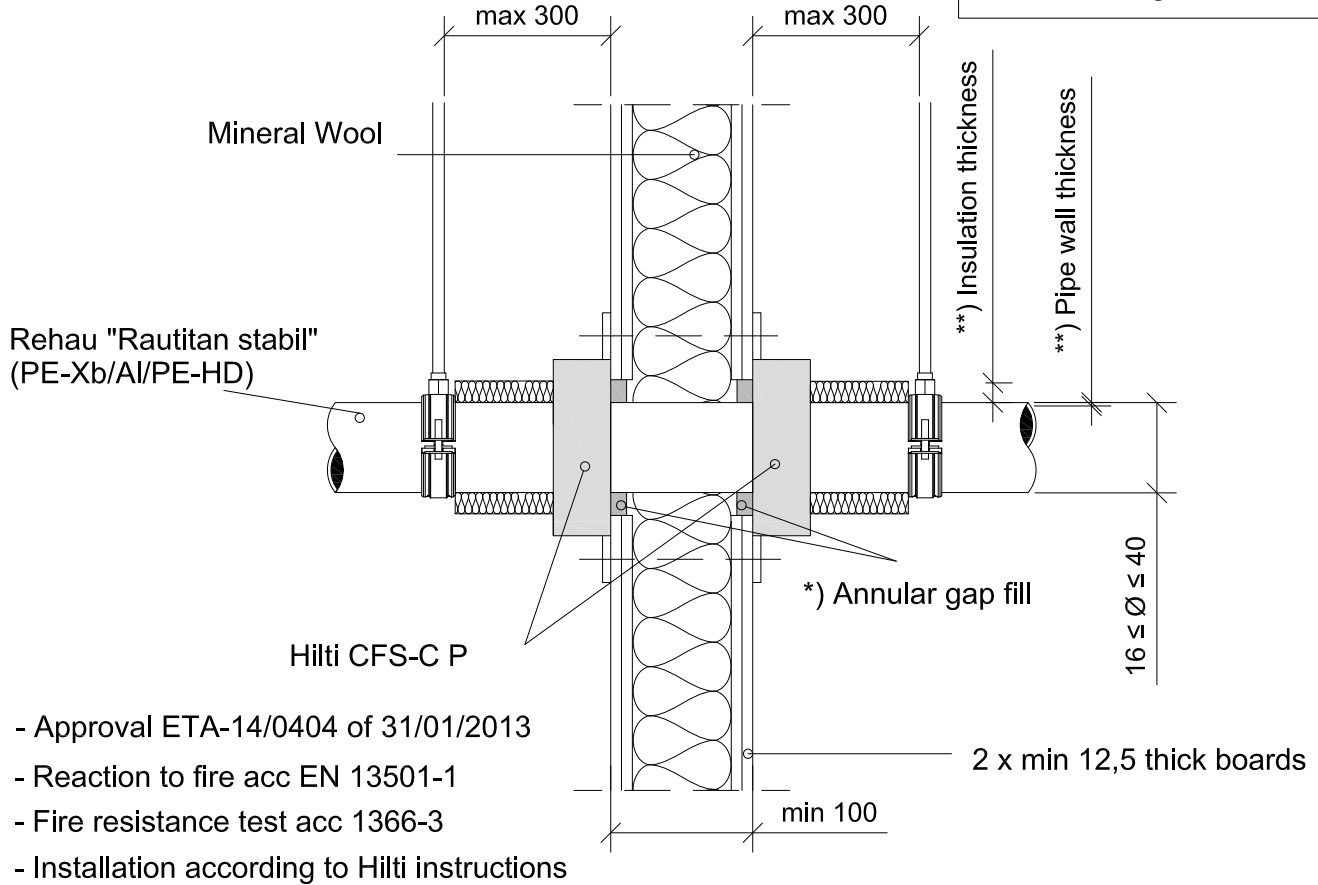
0064_01

REV
00

No scale

All units are in milimetres

Fire Rating EI 120 U/C



Sound Insulation for flexible wall

*) Annular gap fill material

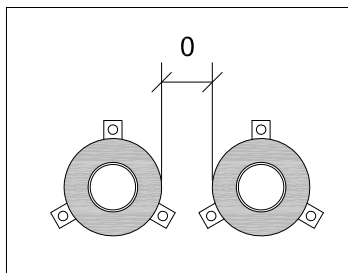
Hilti Firestop Acrylic Sealant CFS-S ACR on both sides with depth > 25 mm from the surface of the wall.

Gypsum plaster over the entire thickness of the wall.

$$D_{n,w} = 60 \text{ dB}$$

$$R_w = 53 \text{ dB}$$

**) Pipe wall and insulation thickness - Armaflex AF, continued sustained



Zero distance between annular gap

Pipe Ø	Pipe Wall Thickness	Insulation Thickness	Collar Size
16	2.6	11.5	CFS-C P 50/1.5"
20	2.9	11.5-13	CFS-C P 63/2"
25	3.7	11.5-13	CFS-C P 63/2"
32	4.7	13	CFS-C P 63/2"
40	6.0	9	CFS-C P 63/2"



CONTENTS

Al composite pipe in a rigid wall

ID

HEAT-RW-AL-0075

FIRESTOP COLLAR

0075_01

REV

00

No scale

All units are in millimetres

Comprise concrete, aerated concrete or masonry. min density of 450 kg/m³

Rehau "Rautitan stabil" (PE-Xb/Al/PE-HD)

Hilti CFS-C P

*) Annular gap fill

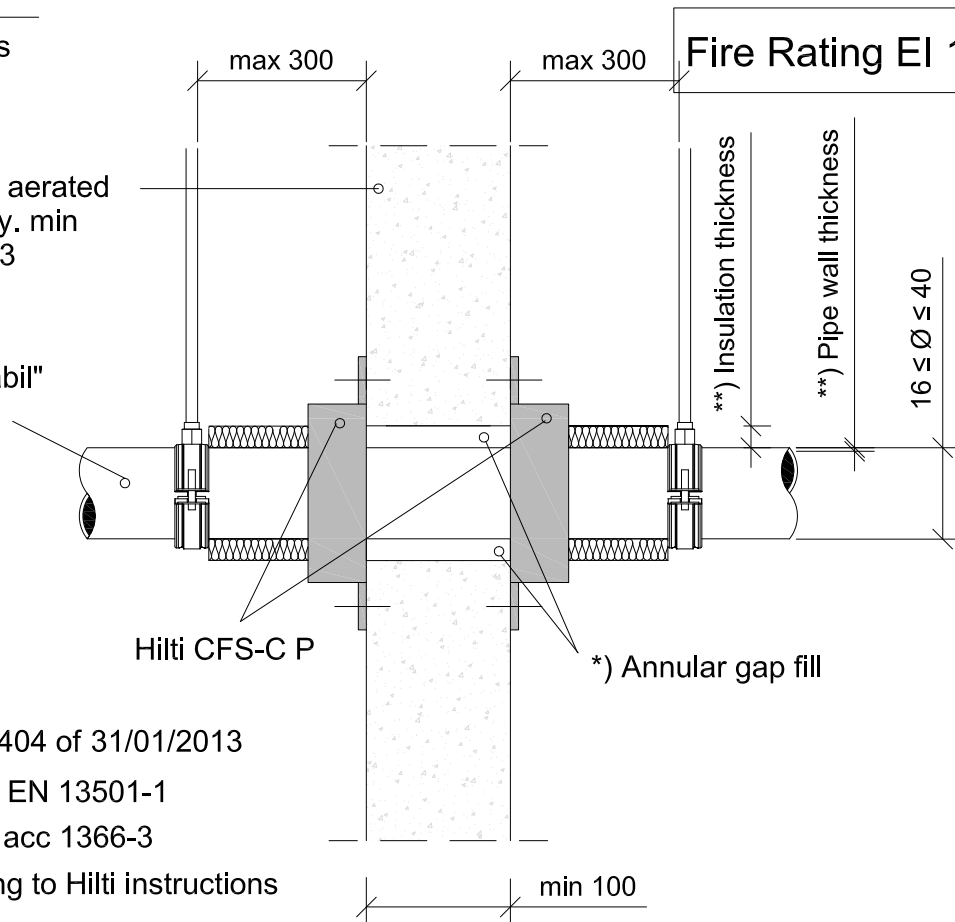
Fire Rating EI 120 U/C

***) Insulation thickness

***) Pipe wall thickness

16 ≤ Ø ≤ 40

- Approval ETA-14/0404 of 31/01/2013
- Reaction to fire acc EN 13501-1
- Fire resistance test acc 1366-3
- Installation according to Hilti instructions



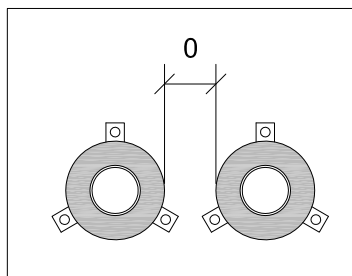
*) Annular gap fill material

Sound Insulation for rigid wall

Hilti Firestop Acrylic Sealant CFS-S ACR on both sides with depth > 15 mm from the surface of the wall.
Gypsum plaster or cementitious mortar over the entire thickness of the wall.

CFS-C ACR	Cementitious mortar
$D_{n,w} = 58 \text{ dB}$	$D_{n,w} = 59 \text{ dB}$
$R_w = 51 \text{ dB}$	$R_w = 52 \text{ dB}$

**) Pipe wall and insulation thickness - Armaflex AF, continued sustained



Zero distance between annular gap

Pipe Ø	Pipe Wall Thickness	Insulation Thickness	Collar Size
16	2.6	11.5	CFS-C P 50/1.5"
20	2.9	11.5-13	CFS-C P 63/2"
25	3.7	11.5-13	CFS-C P 63/2"
32	4.7	13	CFS-C P 63/2"
40	6.0	9	CFS-C P 63/2"



CONTENTS

Al composite pipe in a rigid floor

ID

HEAT-RF-AL-0088

FIRESTOP COLLAR

0088_01

REV

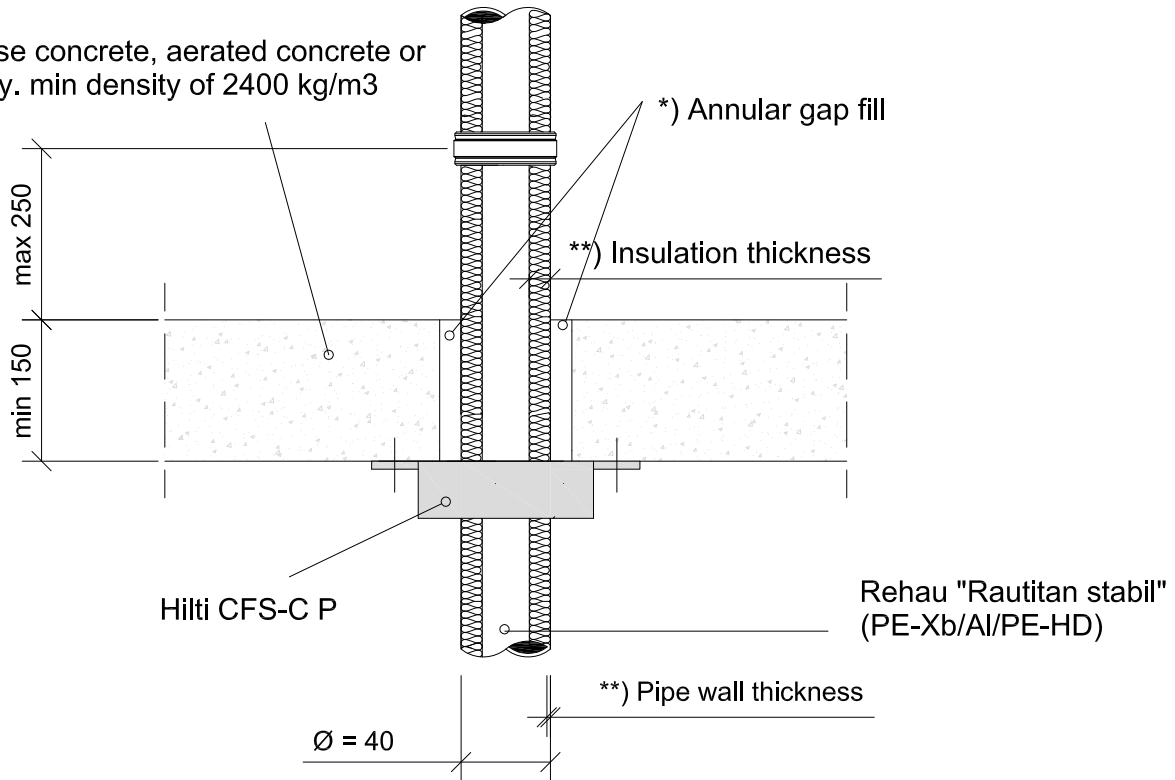
00

No scale

All units are in millimetres

Fire Rating EI 180 U/C

Comprise concrete, aerated concrete or masonry. min density of 2400 kg/m³

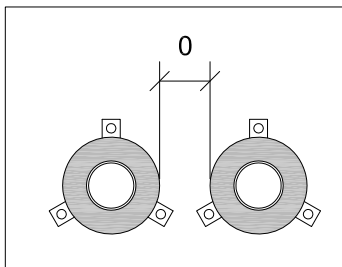


*) Annular gap fill material

Hilti Firestop Acrylic Sealant CFS-S ACR on both sides with depth > 10 mm from the surface of the wall, backfilled with mineral wool min 60 kg/m³.

Gypsum plaster or cementitious mortar over the entire thickness of the floor.

- Approval ETA-14/0404 of 31/01/2013
- Reaction to fire acc EN 13501-1
- Fire resistance test acc 1366-3
- Installation according to Hilti instructions



Zero distance between annular gap

**) Pipe wall and insulation thickness - Armaflex AF, continued sustained or local sustained (LD>250 mm)

Pipe Ø	Pipe Wall Thickness	Insulation Thickness	Collar Size
40	6.0	9.0	CFS-C P 63/2"



CONTENTS

Al composite pipe in a rigid floor

ID

HEAT-RF-AL-0089

FIRESTOP COLLAR

0089_01

REV

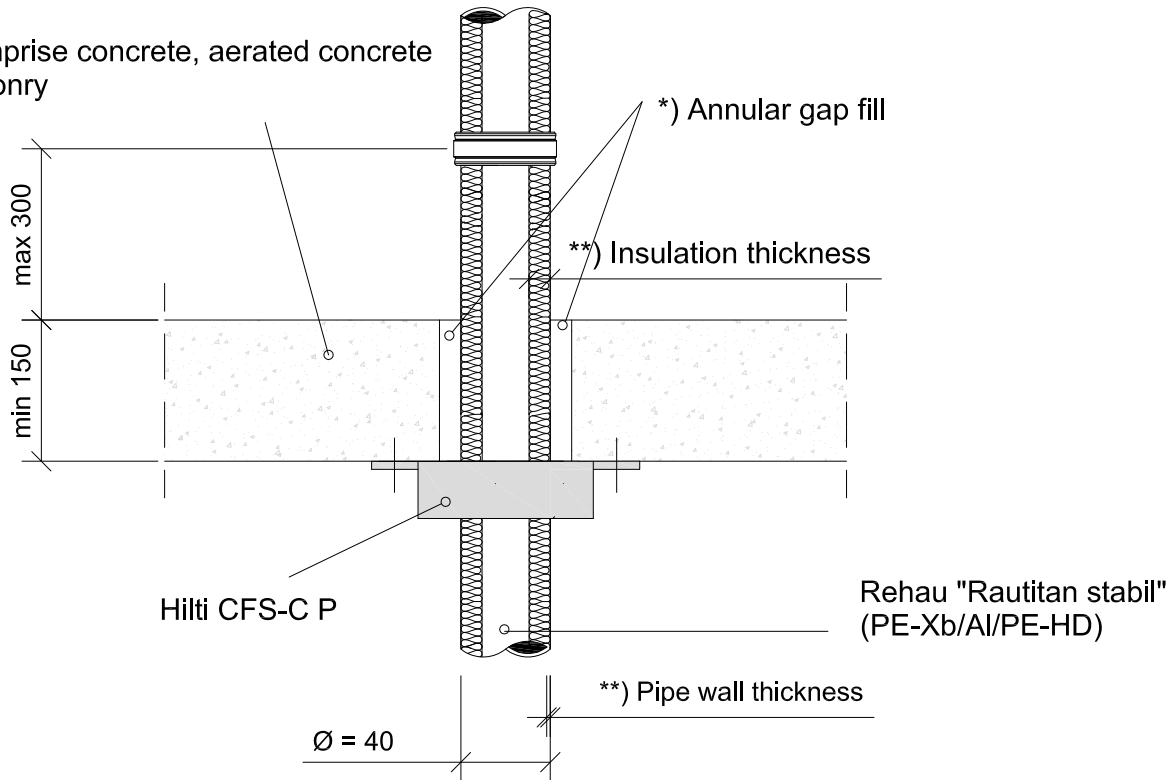
00

No scale

Fire Rating EI 120 U/C

All units are in millimetres

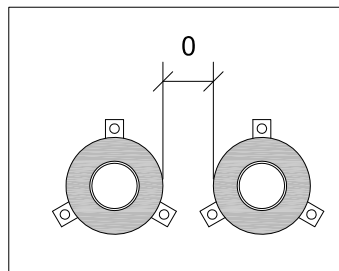
**) Comprise concrete, aerated concrete or masonry



*') Annular gap fill material

Hilti Firestop Acrylic Sealant CFS-S ACR on both sides with depth > 10 mm from the surface of the wall, backfilled with mineral wool min 60 kg/m³.

Gypsum plaster or cementitious mortar over the entire thickness of the floor.



Zero distance between annular gap

- Approval ETA-14/0404 of 31/01/2013
- Reaction to fire acc EN 13501-1
- Fire resistance test acc 1366-3
- Installation according to Hilti instructions

**') Pipe wall and insulation thickness - Armaflex AF, continued sustained or local sustained (LD>250 mm)

Pipe Ø	Pipe Wall Thickness	Insulation Thickness for $\rho > 2400 \text{ kg/m}^3$	Insulation Thickness for $\rho > 550 \text{ kg/m}^3$	Collar Size
40	6.0	9-20.5	20.5	CFS-C P 63/2.0"-75/2.5"



CONTENTS

Straight metal pipe in a flexible wall

ID

HEAT-FW-PP-0091

FIRESTOP COLLAR

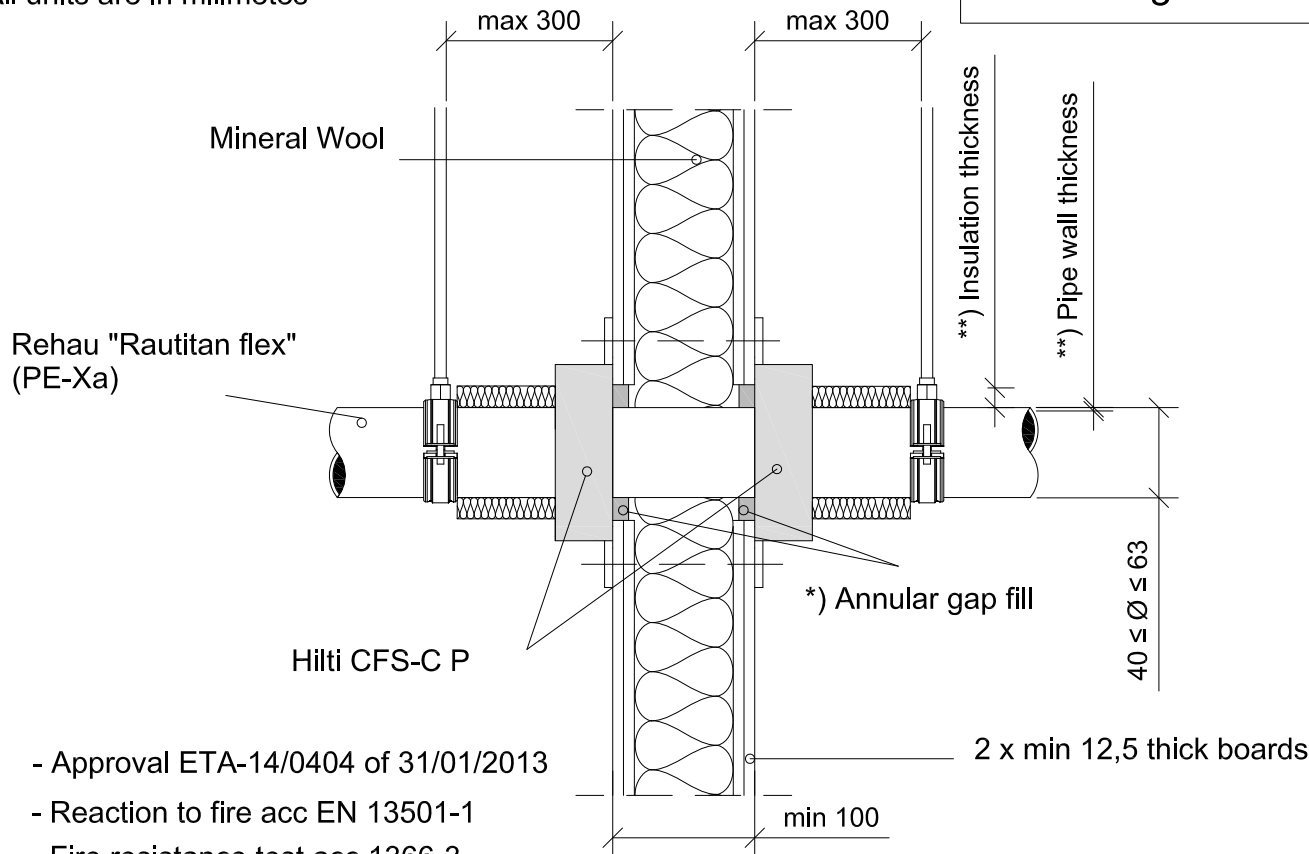
0091_01

REV
00

No scale

All units are in milimetres

Fire Rating EI 120 U/C



- Approval ETA-14/0404 of 31/01/2013
- Reaction to fire acc EN 13501-1
- Fire resistance test acc 1366-3
- Installation according to Hilti instructions

Sound Insulation for flexible wall

$$D_{n,w} = 60 \text{ dB}$$

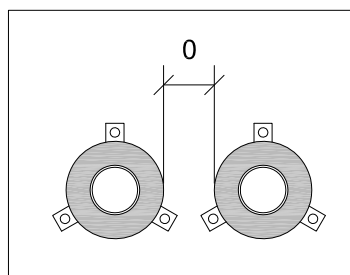
$$R_w = 53 \text{ dB}$$

*) Annular gap fill material

Hilti Firestop Acrylic Sealant CFS-S ACR on both sides with depth > 25 mm from the surface of the wall.

Gypsum plaster or cementitious mortar over the entire thickness of the wall.

**) Pipe wall and insulation thickness Armaflex AF - arrangement Local Insulation (length of insulation > 250 mm) or Continued insulation



Zero distance between annular gap

Pipe Ø	Pipe Wall Thickness	Insulation Thickness	Collar Size
40	5.5	9.0	CFS-C P 63/2"
50	6.9	9.0	CFS-C P 63/2"
63	8.6	10	CFS-C P 75/2.5"



CONTENTS

Straight plastic pipe in a rigid wall

ID

HEAT-RW-PP-0093

FIRESTOP COLLAR

0093_01

REV

00

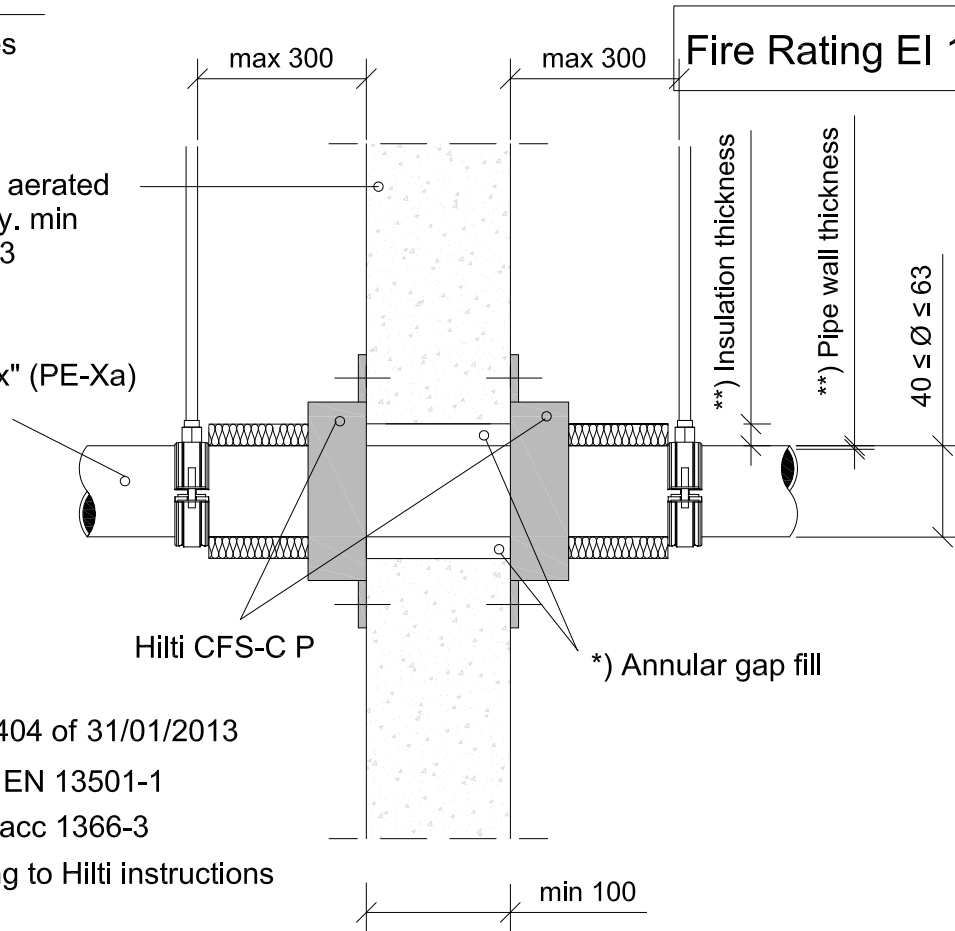
No scale

All units are in millimetres

Fire Rating EI 120 U/C

Comprise concrete, aerated concrete or masonry. min density of 450 kg/m³

Rehau "Rautitan flex" (PE-Xa)



- Approval ETA-14/0404 of 31/01/2013
- Reaction to fire acc EN 13501-1
- Fire resistance test acc 1366-3
- Installation according to Hilti instructions

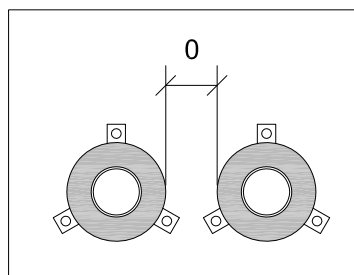
*) Annular gap fill material

Hilti Firestop Acrylic Sealant CFS-S ACR on both sides with depth > 15 mm from the surface of the wall.

Gypsum plaster or cementitious mortar over the entire thickness of the wall.

Sound Insulation for rigid wall

CFS-C ACR	Cementitious mortar
$D_{n,w} = 58 \text{ dB}$	$D_{n,w} = 59 \text{ dB}$
$R_w = 51 \text{ dB}$	$R_w = 52 \text{ dB}$



Zero distance between annular gap

**) Pipe wall and insulation thickness Armaflex AF - arrangement Local Insulation (length of insulation > 250 mm) or Continued insulation

Pipe Ø	Pipe Wall Thickness	Insulation Thickness	Collar Size
40	5.5	9.0	CFS-C P 63/2"
50	6.9	9.0	CFS-C P 63/2"
63	8.6	10	CFS-C P 75/2.5"



CONTENTS

Straight plastic pipe in a floor

ID

HEAT-RF-PP-0095

FIRESTOP COLLAR

0095_01

REV

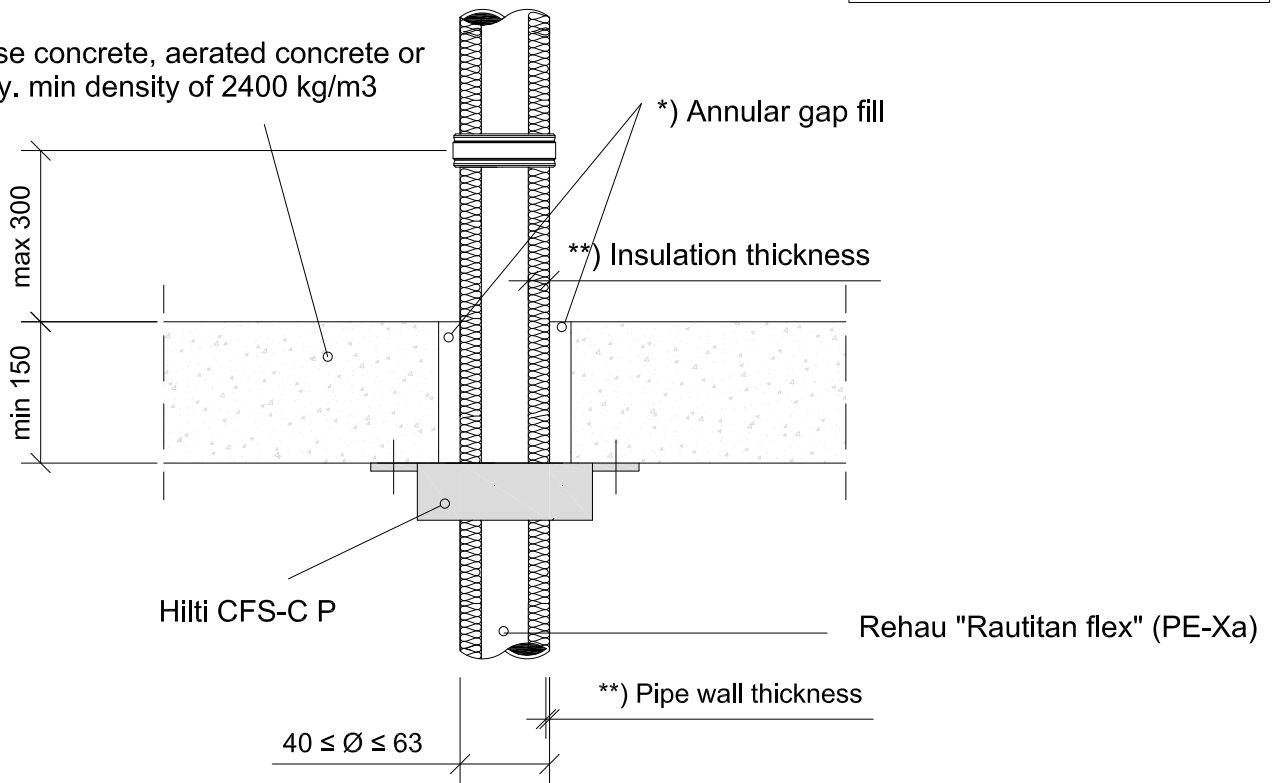
00

No scale

All units are in millimetres

Fire Rating EI 180 U/C

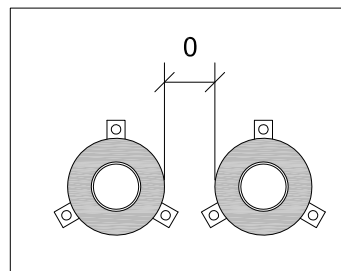
Comprise concrete, aerated concrete or masonry. min density of 2400 kg/m³



*) Annular gap fill material

Hilti Firestop Acrylic Sealant CFS-S ACR on both sides with depth > 10 mm from the surface of the wall, backfilled with mineral wool min 60 kg/m³.

Gypsum plaster or cementitious mortar over the entire thickness of the floor.



Zero distance between annular gap

- Approval ETA-14/0404 of 31/01/2013
- Reaction to fire acc EN 13501-1
- Fire resistance test acc 1366-3
- Installation according to Hilti instructions

**) Pipe wall and insulation thickness - Armaflex AF, continued sustained or local sustained (LD>250 mm)

Pipe Ø	Pipe Wall Thickness	Insulation Thickness	Collar Size
40	6.0	9	CFS-C P 63/2"
50	6.9	9	CFS-C P 75/2.5"
63	8.6	9	CFS-C P 90/3"



CONTENTS

Straight plastic pipe in a floor

ID

HEAT-RF-PP-0096

FIRESTOP COLLAR

0096_01

REV

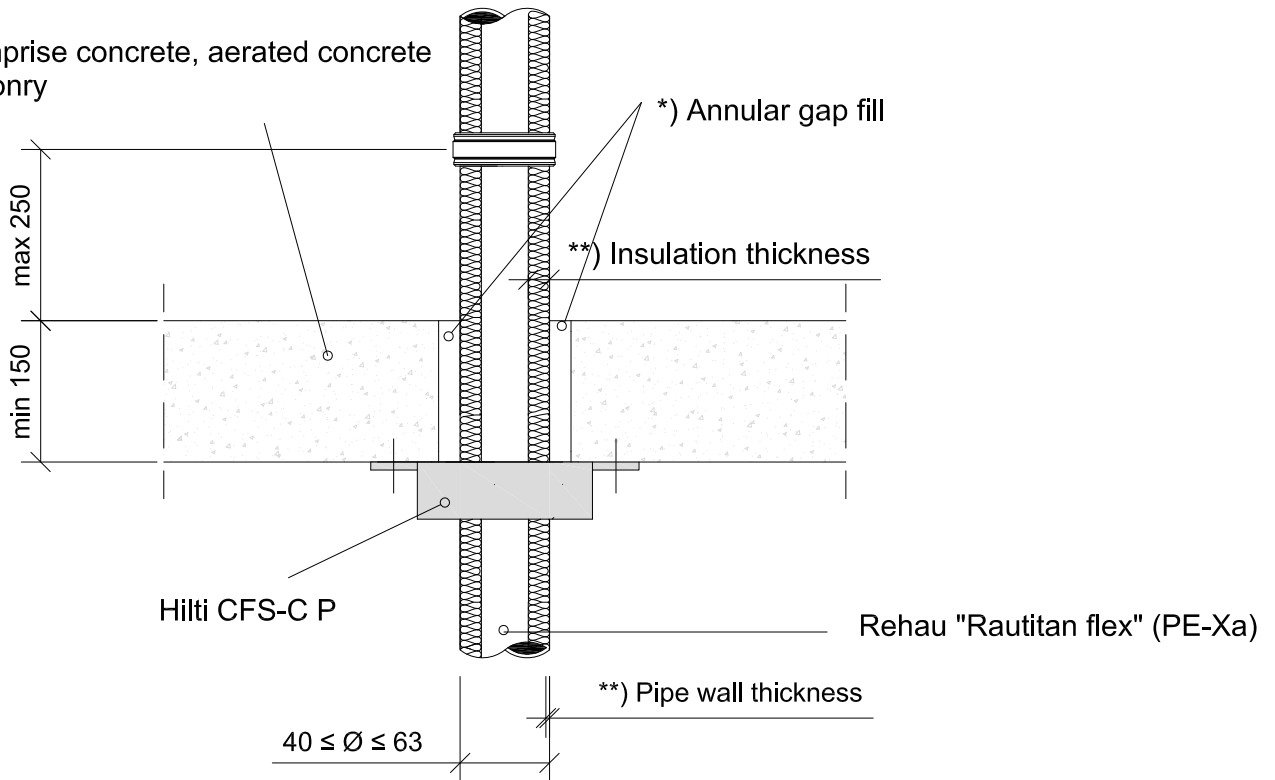
00

No scale

All units are in millimetres

Fire Rating EI 120 U/C

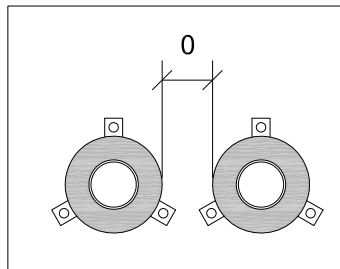
**) Comprise concrete, aerated concrete or masonry



*) Annular gap fill material

Hilti Firestop Acrylic Sealant CFS-S ACR on both sides with depth > 10 mm from the surface of the wall, backfilled with mineral wool min 60 kg/m³.

Gypsum plaster or cementitious mortar over the entire thickness of the floor.



Zero distance between annular gap

- Approval ETA-14/0404 of 31/01/2013
- Reaction to fire acc EN 13501-1
- Fire resistance test acc 1366-3
- Installation according to Hilti instructions

**) Pipe wall and insulation thickness - Armaflex AF, continued sustained or local sustained (LD>250 mm)

Pipe Ø	Pipe Wall Thickness	Insulation Thickness for $\rho > 2400 \text{ kg/m}^3$	Insulation Thickness for $\rho > 550 \text{ kg/m}^3$	Collar Size
40	6.0	9-20.5	20.5	CFS-C P 63/2"-75/2.5"
50	6.9	9-21.0	21.0	CFS-C P 75/2.5"-90/3"
63	8.6	9-21.5	21.5	CFS-C P 90/3.0"-110/4"