

Schémas d'applications pour le collier CFS-C P



Applications pour industrie en cloison épaisseur 100 mm

- | | |
|--|----------------------------------|
| • Tube plastique PE | IND-FW-PP-0005/6 |
| • Tube plastique PP | IND-FW-PP-0010/11/12/13/14/15/16 |
| • Tube plastique PVC | IND-FW-PP-0017 |
| • Tube Al composite avec isolant type Armaflex | IND-FW-AL-0083 |

*) Tous les schémas sont également disponibles sur demande en format DWG pour faciliter l'insertion sur des plans.



CONTENTS

Straight plastic pipe in a flexible wall

ID

IND-FW-PP-0005

FIRESTOP COLLAR

0005_01

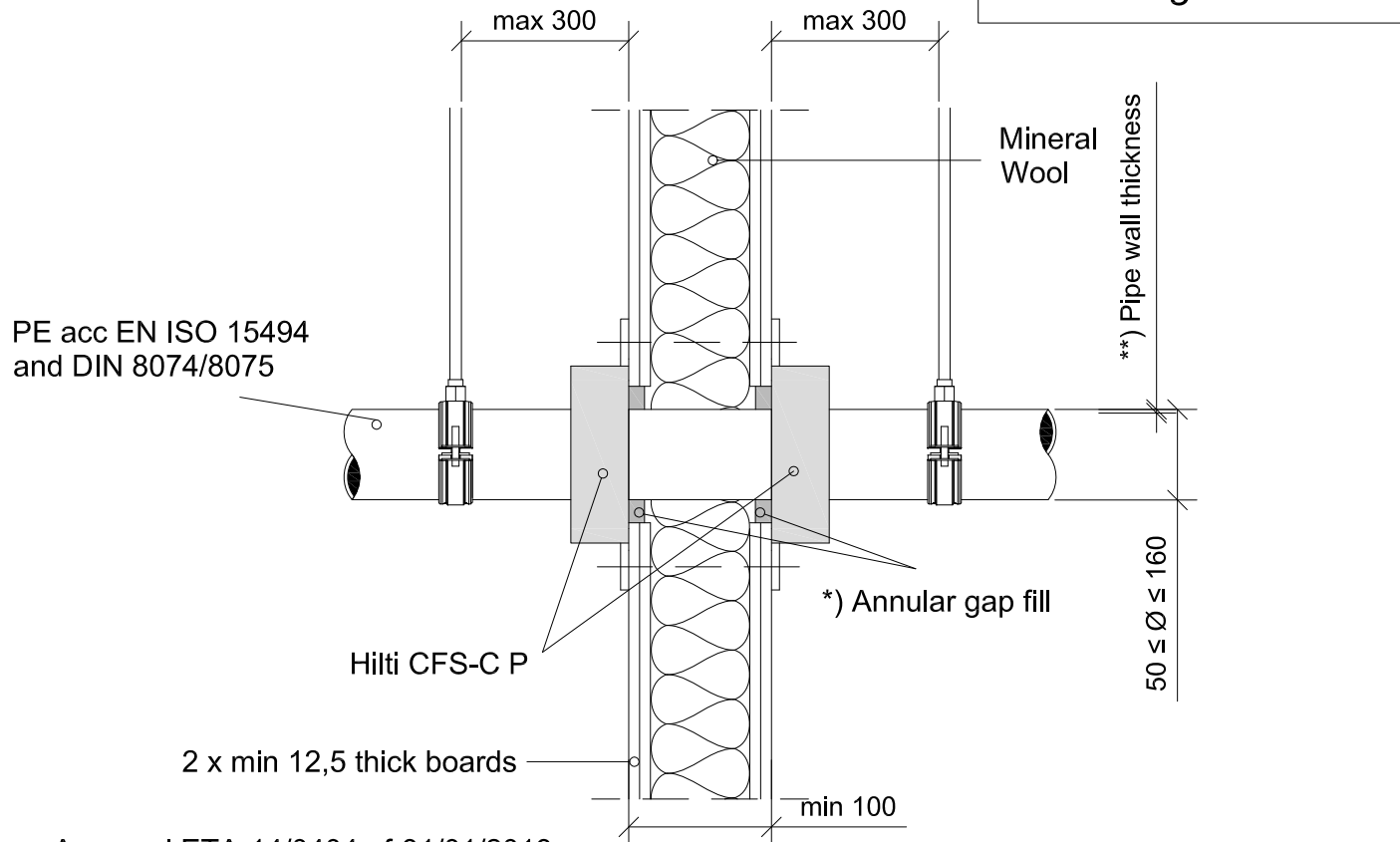
REV

00

No scale

All units are in millimetres

Fire Rating EI 120 U/U



- Approval ETA-14/0404 of 31/01/2013
- Reaction to fire acc EN 13501-1
- Fire resistance test acc 1366-3
- Installation according to Hilti instructions

*) Annular gap fill material

Hilti Firestop Acrylic Sealant CFS-S ACR on both sides with depth > 25 mm from the surface of the wall.

Gypsum plaster or cementitious mortar over the entire thickness of the wall.

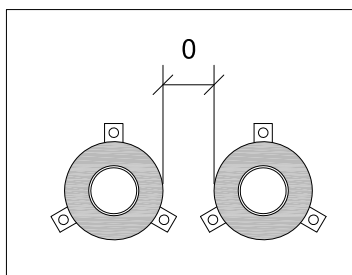
Sound Insulation for flexible wall

$$D_{n,w} = 60 \text{ dB}$$

$$R_w = 53 \text{ dB}$$

***) Pipe wall thickness

Pipe Ø	Inner Pipe Ø	Collar Size
50	2.9-4.6	CFS-C P 50/1.5"
63	3.6-5.8	CFS-C P 63/2"
75	1.9-6.8	CFS-C P 75/2.5"
90	2.2-8.2	CFS-C P 90/3"
110	2.7-10.0	CFS-C P 110/4"
125	3.1-7.1	CFS-C P 125/5"
160	4.0-9.1	CFS-C P 160/6"



Zero distance between annular gap

Maximum thickness of sound decoupling: 5 mm



CONTENTS

Straight plastic pipe in a flexible wall

ID

IND-FW-PP-0006

FIRESTOP COLLAR

0006_01

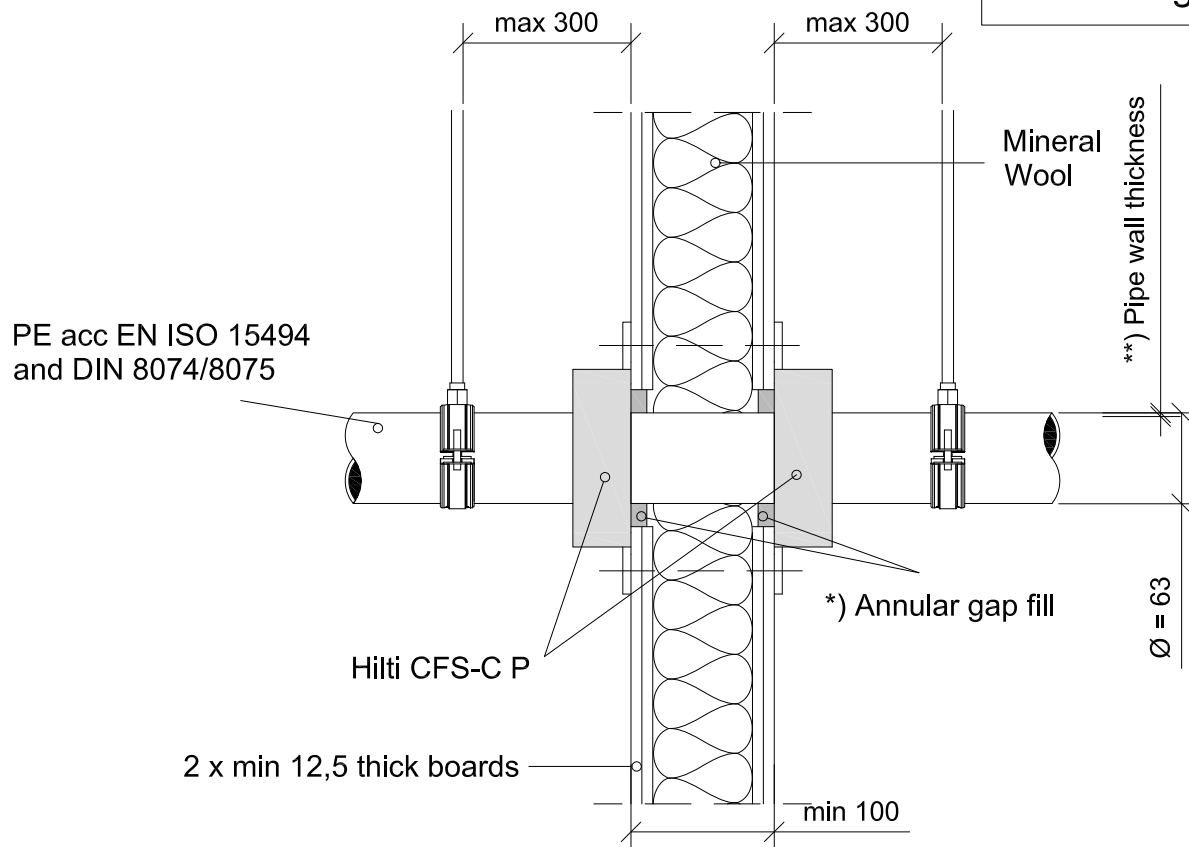
REV

00

No scale

All units are in millimetres

Fire Rating EI 90 U/U



*) Annular gap fill material

Hilti Firestop Acrylic Sealant CFS-S ACR on both sides with depth > 25 mm from the surface of the wall.

Gypsum plaster or cementitious mortar over the entire thickness of the wall.

- Approval ETA-14/0404 of 31/01/2013
- Reaction to fire acc EN 13501-1
- Fire resistance test acc 1366-3
- Installation according to Hilti instructions

Sound Insulation for flexible wall

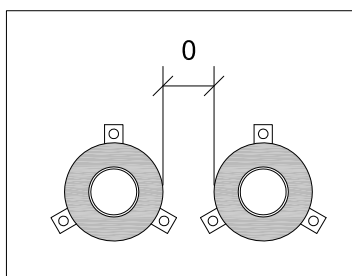
$$D_{n,w} = 60 \text{ dB}$$

$$R_w = 53 \text{ dB}$$

**) Pipe wall thickness

Pipe Ø	Inner Pipe Ø	Collar Size
63	1.8-5.8	CFS-C P 63/2.0"

Maximum thickness of sound decoupling: 5 mm



Zero distance between annular gap



CONTENTS

Straight plastic pipe in a flexible wall

ID

IND-FW-PP-0010

FIRESTOP COLLAR

0010_01

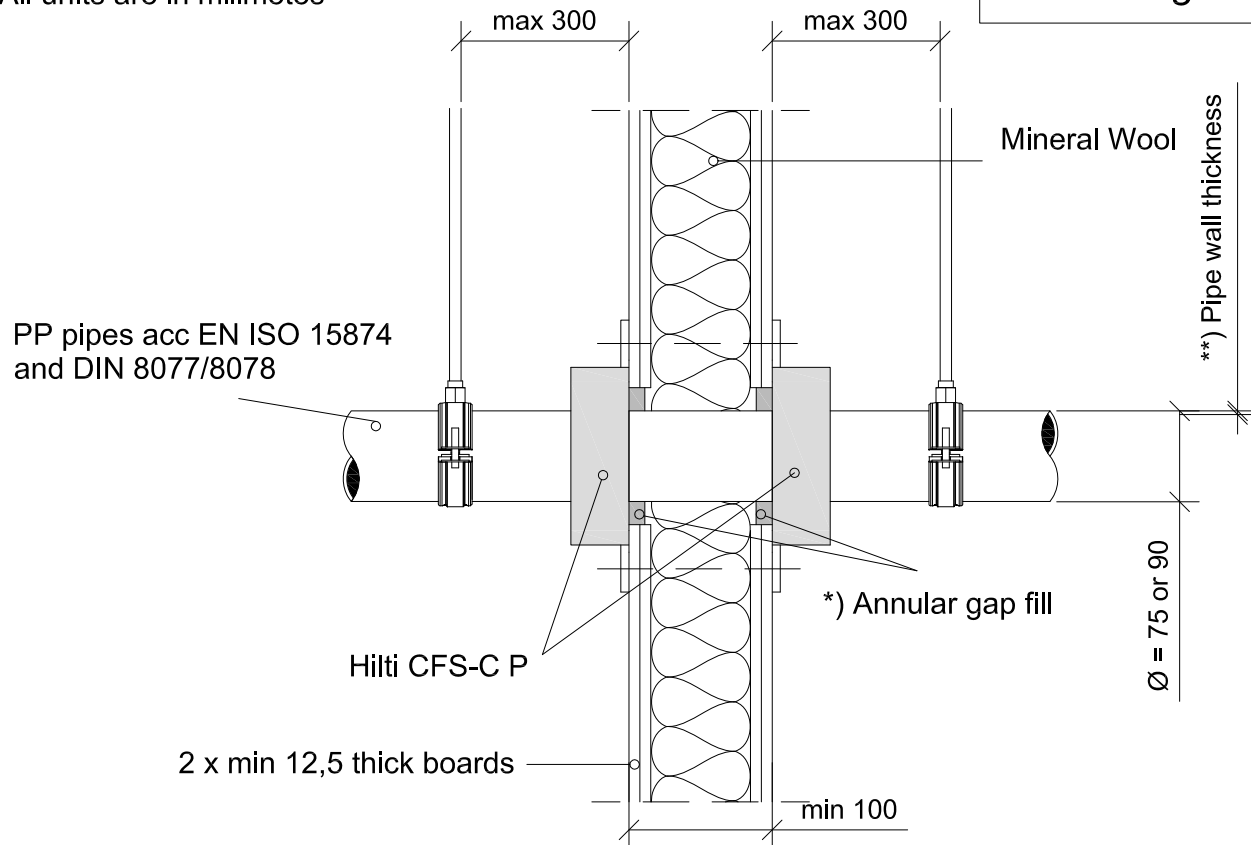
REV

00

No scale

All units are in millimetres

Fire Rating EI 120 U/U



*) Annular gap fill material

Hilti Firestop Acrylic Sealant CFS-S ACR on both sides with depth > 25 mm from the surface of the wall.

Gypsum plaster or cementitious mortar over the entire thickness of the wall.

- Approval ETA-14/0404 of 31/01/2013
- Reaction to fire acc EN 13501-1
- Fire resistance test acc 1366-3
- Installation according to Hilti instructions

Sound Insulation for flexible wall

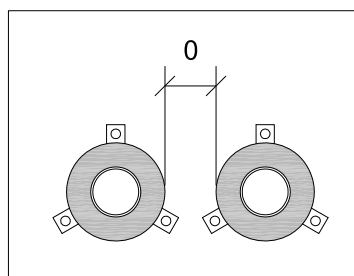
$$D_{n,w} = 60 \text{ dB}$$

$$R_w = 53 \text{ dB}$$

**) Pipe wall thickness

Pipe Ø	Pipe wall thickness	Collar Size
75	6.8-12.5	CFS-C P 75/2.5"
90	8.2-15.0	CFS-C P 90/3"

Maximum thickness of sound decoupling: 9 mm



Zero distance between annular gap



CONTENTS

Straight plastic pipe in a flexible wall

ID

IND-FW-PP-0011

FIRESTOP COLLAR

0011_01

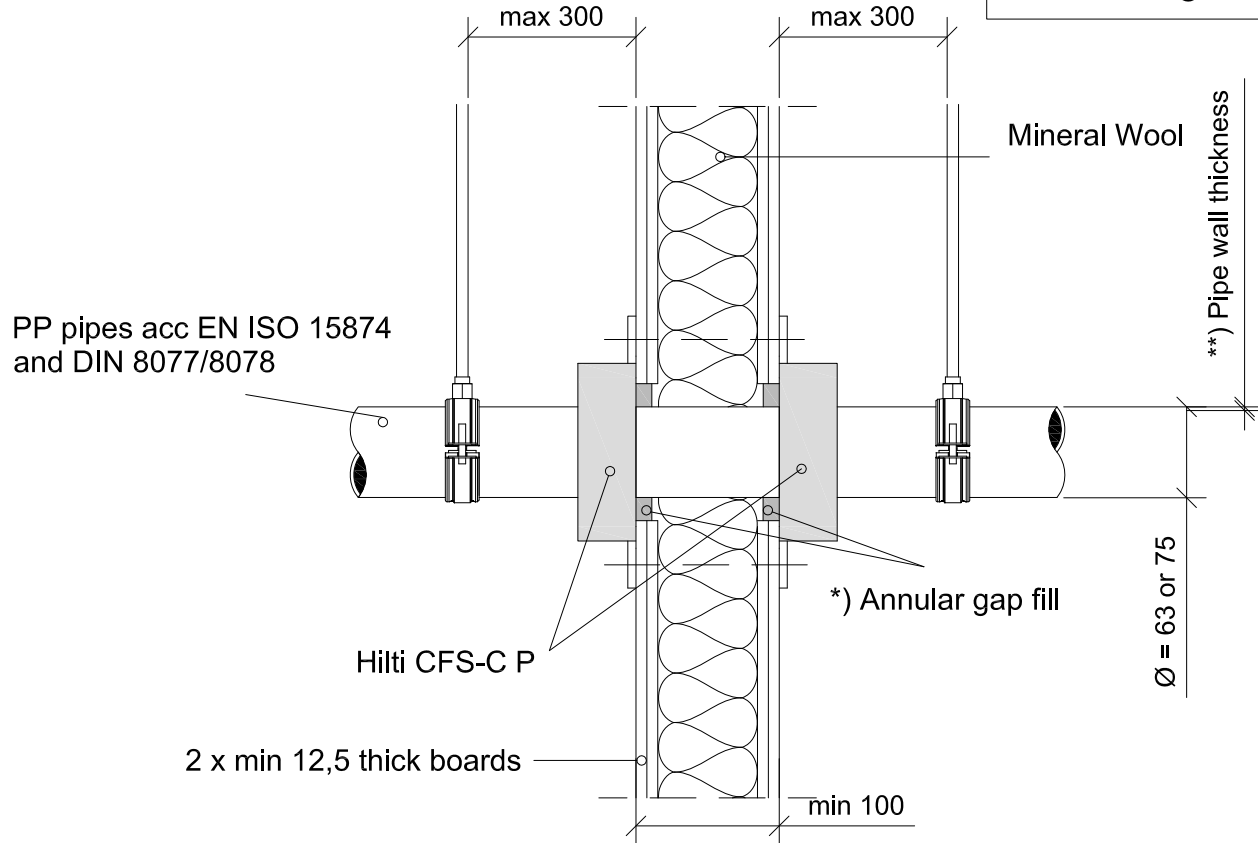
REV

00

No scale

All units are in millimetres

Fire Rating EI 120 U/C



*) Annular gap fill material

Hilti Firestop Acrylic Sealant CFS-S ACR on both sides with depth > 25 mm from the surface of the wall.

Gypsum plaster or cementitious mortar over the entire thickness of the wall.

- Approval ETA-14/0404 of 31/01/2013
- Reaction to fire acc EN 13501-1
- Fire resistance test acc 1366-3
- Installation according to Hilti instructions

Sound Insulation for flexible wall

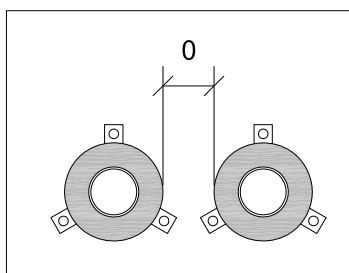
$$D_{n,w} = 60 \text{ dB}$$

$$R_w = 53 \text{ dB}$$

**) Pipe wall thickness

Pipe Ø	Pipe wall thickness	Collar Size
63	10.5	CFS-C P 63/2"
75	6.8	CFS-C P 75/2.5"

Maximum thickness of sound decoupling: 9 mm



Zero distance between annular gap



CONTENTS

Straight plastic pipe in a flexible wall

ID

IND-FW-PP-0012

FIRESTOP COLLAR

0012_01

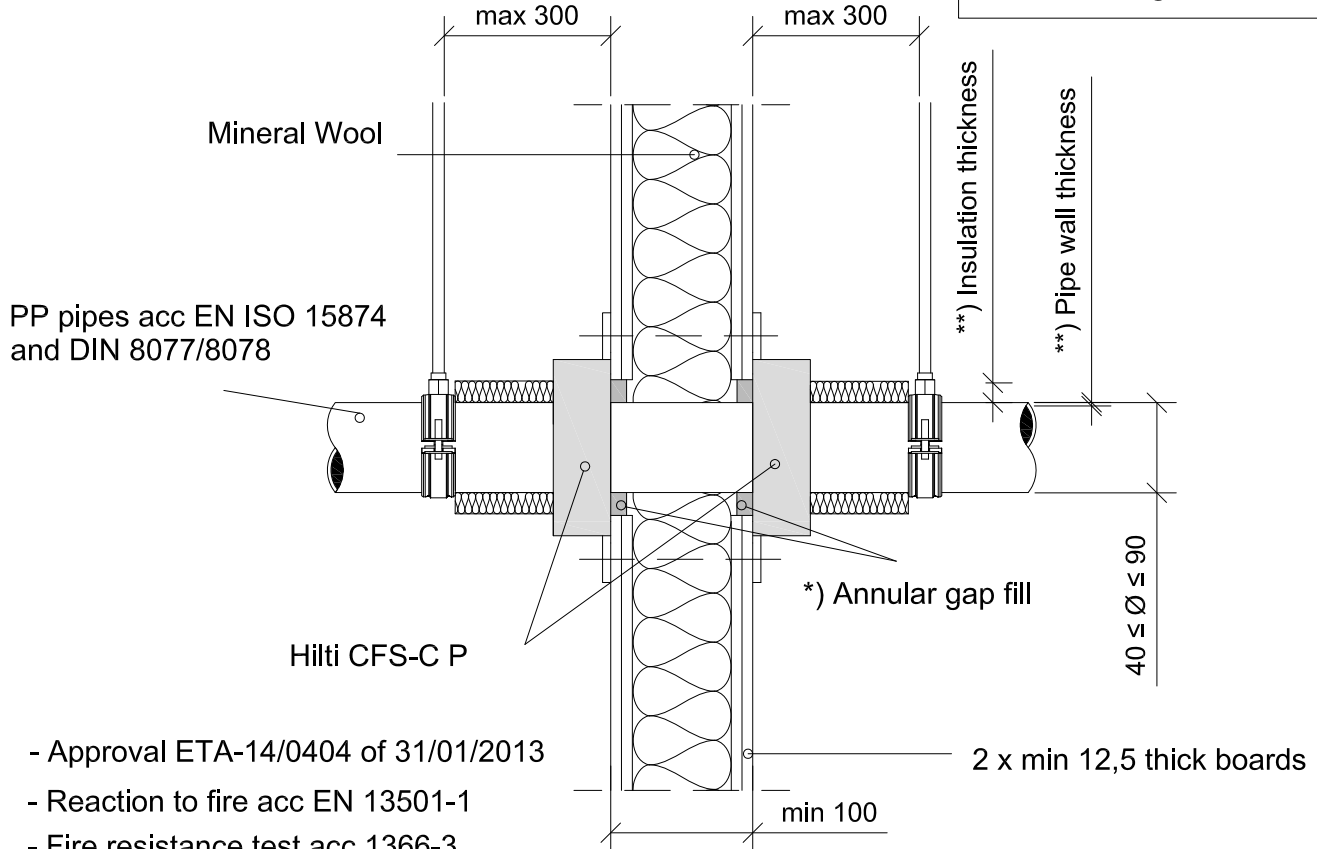
REV

00

No scale

All units are in millimetres

Fire Rating EI 120 U/C



- Approval ETA-14/0404 of 31/01/2013
- Reaction to fire acc EN 13501-1
- Fire resistance test acc 1366-3
- Installation according to Hilti instructions

*) Annular gap fill material

Hilti Firestop Acrylic Sealant CFS-S ACR on both sides with depth > 25 mm from the surface of the wall.

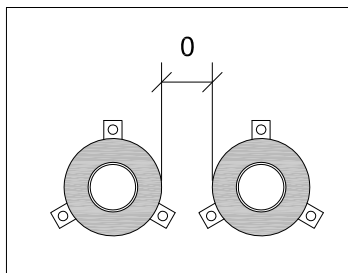
Gypsum plaster or cementitious mortar over the entire thickness of the wall.

Sound Insulation for flexible wall

$$D_{n,w} = 60 \text{ dB}$$

$$R_w = 53 \text{ dB}$$

**) Pipe wall and insulation thickness (Armaflex AF) - arrangement Local Insulation (length of insulation > 250 mm) or Continued insulation



Zero distance between annular gap

Pipe Ø	Pipe Wall Thickness	Insulation Thickness	Collar Size
40	3.7-5.5	9.0	CFS-C P 50/1.5"
50	4.6-6.9	9.0	CFS-C P 50/1.5"
75	6.8-10.3	9.0	CFS-C P 75/2.5"
90	10.0-15.1	10	CFS-C P 90/3"



CONTENTS

Straight plastic pipe in a flexible wall

ID

IND-FW-PP-0013

FIRESTOP COLLAR

0013_01

REV

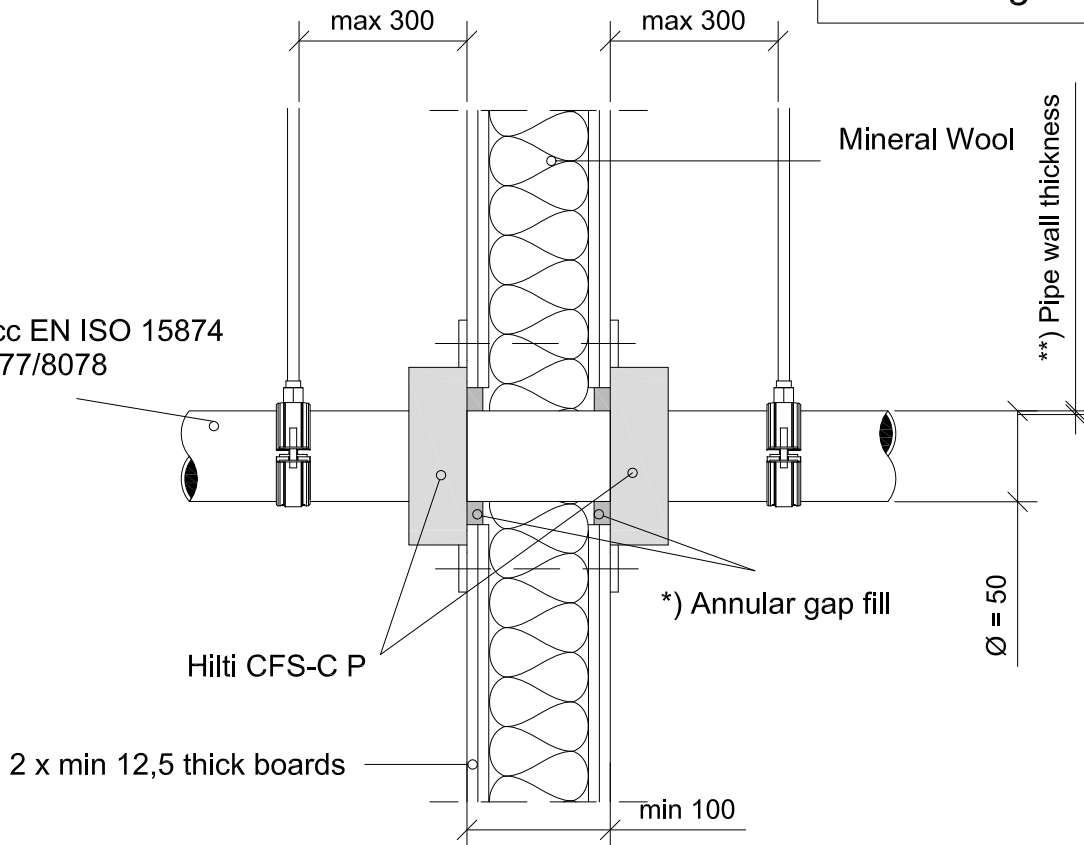
00

No scale

All units are in millimetres

Fire Rating EI 90 U/U

PP pipes acc EN ISO 15874 and DIN 8077/8078



- Approval ETA-14/0404 of 31/01/2013
- Reaction to fire acc EN 13501-1
- Fire resistance test acc 1366-3
- Installation according to Hilti instructions

*) Annular gap fill material

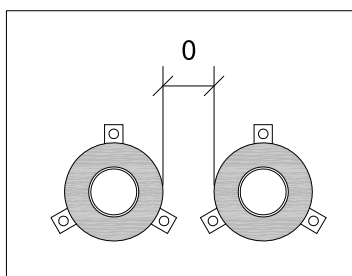
Hilti Firestop Acrylic Sealant CFS-S ACR on both sides with depth > 25 mm from the surface of the wall.

Gypsum plaster or cementitious mortar over the entire thickness of the wall.

Sound Insulation for flexible wall

$$D_{n,w} = 60 \text{ dB}$$

$$R_w = 53 \text{ dB}$$



Zero distance between annular gap

**) Pipe wall thickness

Pipe Ø	Pipe wall thickness	Collar Size
50	1.8-2.9	CFS-C P 50/1.5"

Maximum thickness of sound decoupling: 9 mm



CONTENTS

Straight plastic pipe in a flexible wall

ID

IND-FW-PP-0014

FIRESTOP COLLAR

0014_01

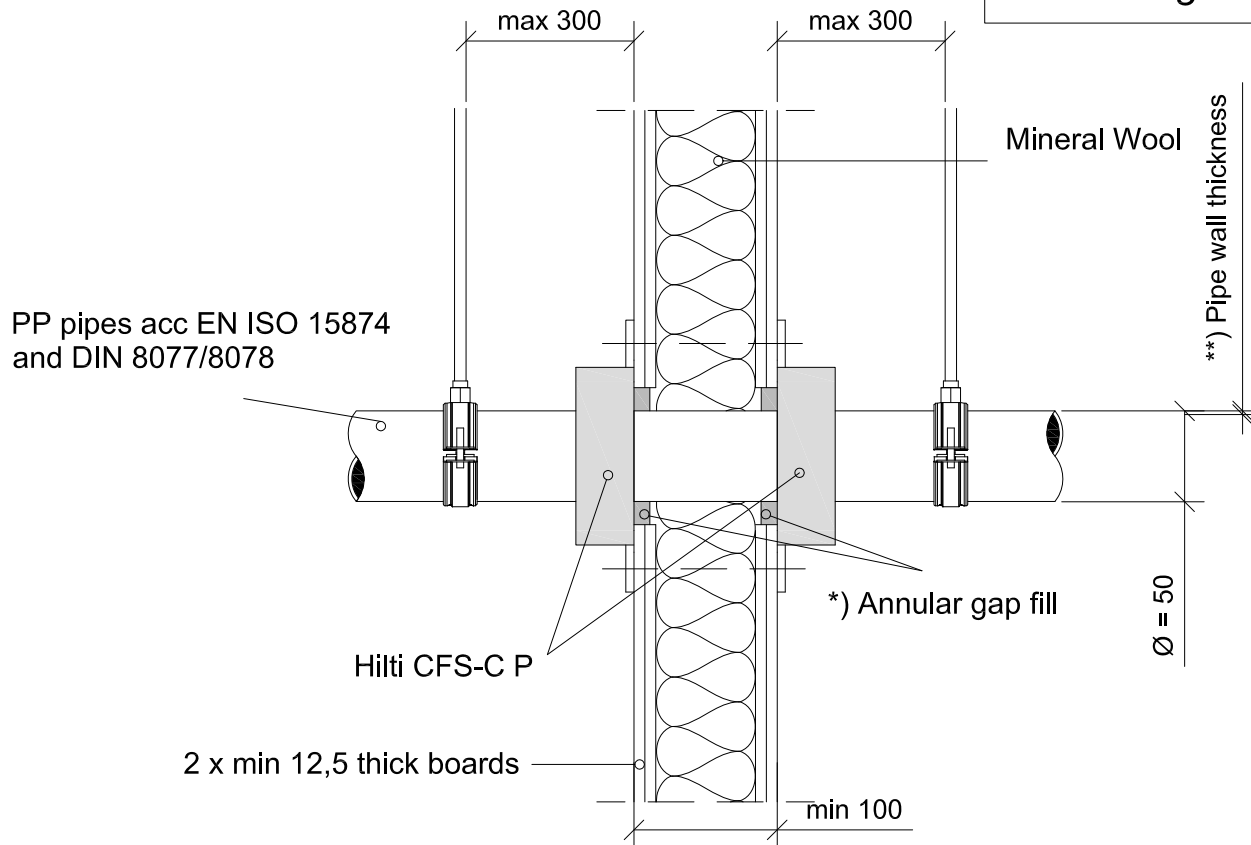
REV

00

No scale

All units are in millimetres

Fire Rating EI 90 U/C



*) Annular gap fill material

Hilti Firestop Acrylic Sealant CFS-S ACR on both sides with depth > 25 mm from the surface of the wall.

Gypsum plaster or cementitious mortar over the entire thickness of the wall.

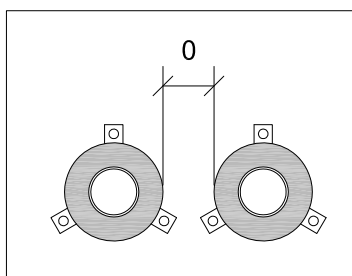
- Approval ETA-14/0404 of 31/01/2013
- Reaction to fire acc EN 13501-1
- Fire resistance test acc 1366-3
- Installation according to Hilti instructions

Sound Insulation for flexible wall

$$D_{n,w} = 60 \text{ dB}$$

$$R_w = 53 \text{ dB}$$

**) Pipe wall thickness



Zero distance between annular gap

Pipe Ø	Pipe wall thickness	Collar Size
50	4.6-8.3	CFS-C P 50/1.5"

Maximum thickness of sound decoupling: 9 mm



CONTENTS

Straight plastic pipe in a flexible wall

ID

IND-FW-PP-0015

FIRESTOP COLLAR

0015_01

REV

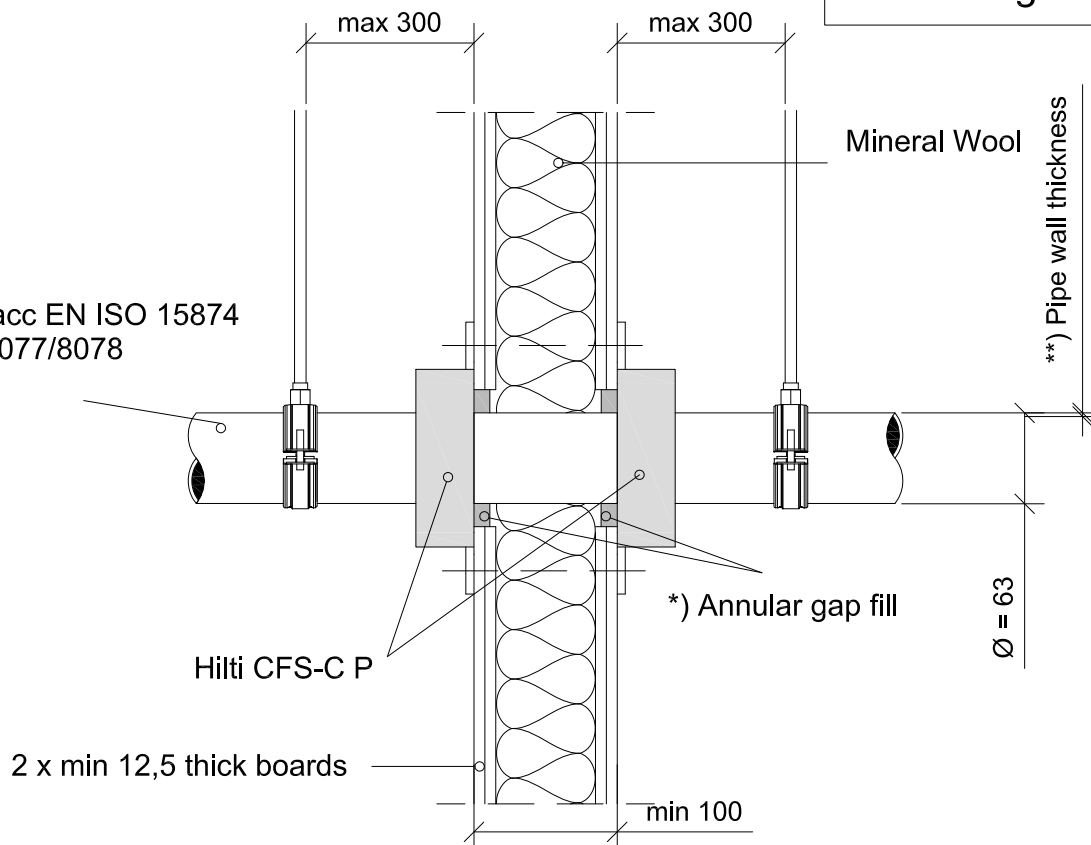
00

No scale

All units are in millimetres

Fire Rating EI 60 U/U

PP pipes acc EN ISO 15874 and DIN 8077/8078



*) Annular gap fill material

Hilti Firestop Acrylic Sealant CFS-S ACR on both sides with depth > 25 mm from the surface of the wall.

Gypsum plaster or cementitious mortar over the entire thickness of the wall.

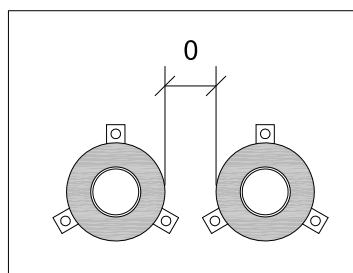
- Approval ETA-14/0404 of 31/01/2013
- Reaction to fire acc EN 13501-1
- Fire resistance test acc 1366-3
- Installation according to Hilti instructions

Sound Insulation for flexible wall

$$D_{n,w} = 60 \text{ dB}$$

$$R_w = 53 \text{ dB}$$

**) Pipe wall thickness



Zero distance between annular gap

Pipe Ø	Pipe wall thickness	Collar Size
63	1.8-5.8	CFS-C P 63/2"

Maximum thickness of sound decoupling: 9 mm



CONTENTS

Straight plastic pipe in a flexible wall

ID

IND-FW-PP-0016

FIRESTOP COLLAR

0016_01

REV

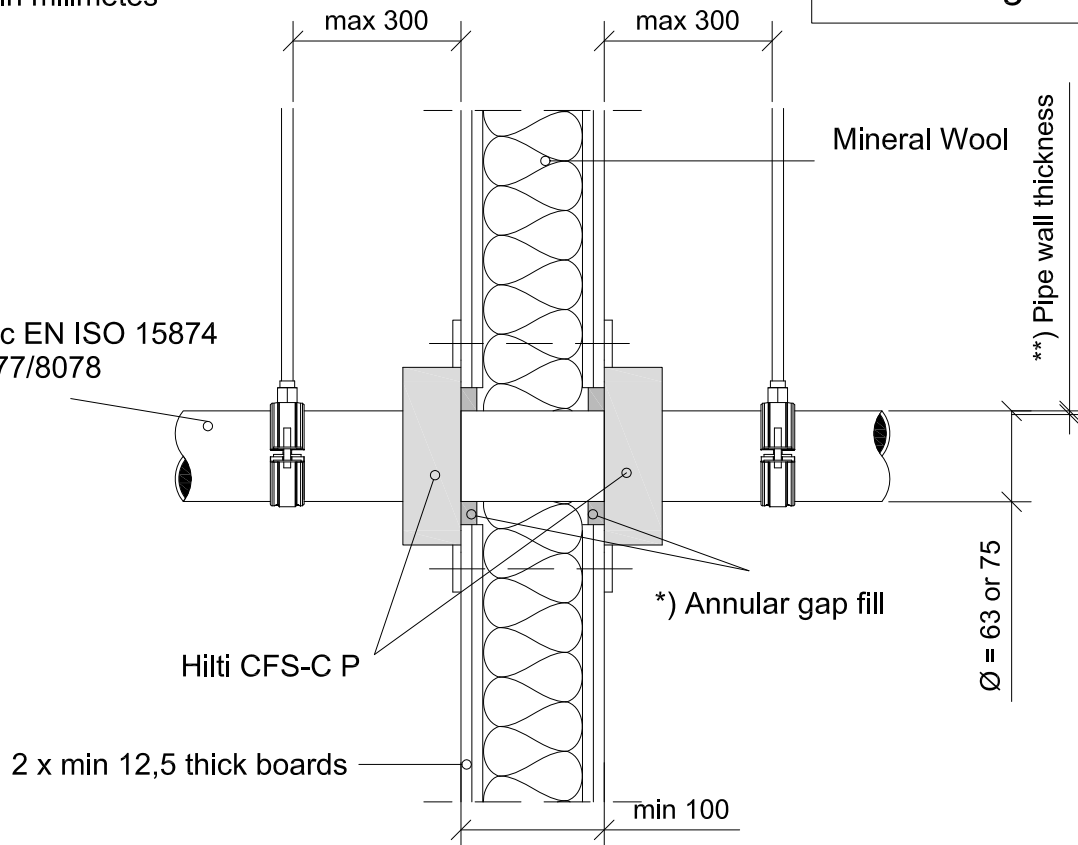
00

No scale

All units are in millimetres

Fire Rating EI 60 U/C

PP pipes acc EN ISO 15874 and DIN 8077/8078



*) Annular gap fill material

Hilti Firestop Acrylic Sealant CFS-S ACR on both sides with depth > 25 mm from the surface of the wall.

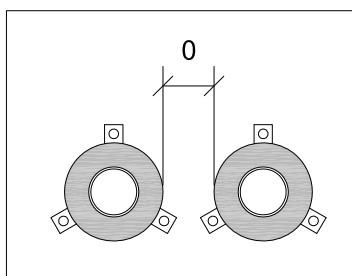
Gypsum plaster or cementitious mortar over the entire thickness of the wall.

- Approval ETA-14/0404 of 31/01/2013
- Reaction to fire acc EN 13501-1
- Fire resistance test acc 1366-3
- Installation according to Hilti instructions

Sound Insulation for flexible wall

$$D_{n,w} = 60 \text{ dB}$$

$$R_w = 53 \text{ dB}$$



Zero distance between annular gap

**) Pipe wall thickness

Pipe Ø	Pipe wall thickness	Collar Size
63	5.8-10.5	CFS-C P 63/2"
75	1.9-6.8	CFS-C P 75/2.5"

Maximum thickness of sound decoupling: 9 mm



CONTENTS

Straight plastic pipe in a flexible wall

ID

IND-FW-PP-0017

FIRESTOP COLLAR

0017_01

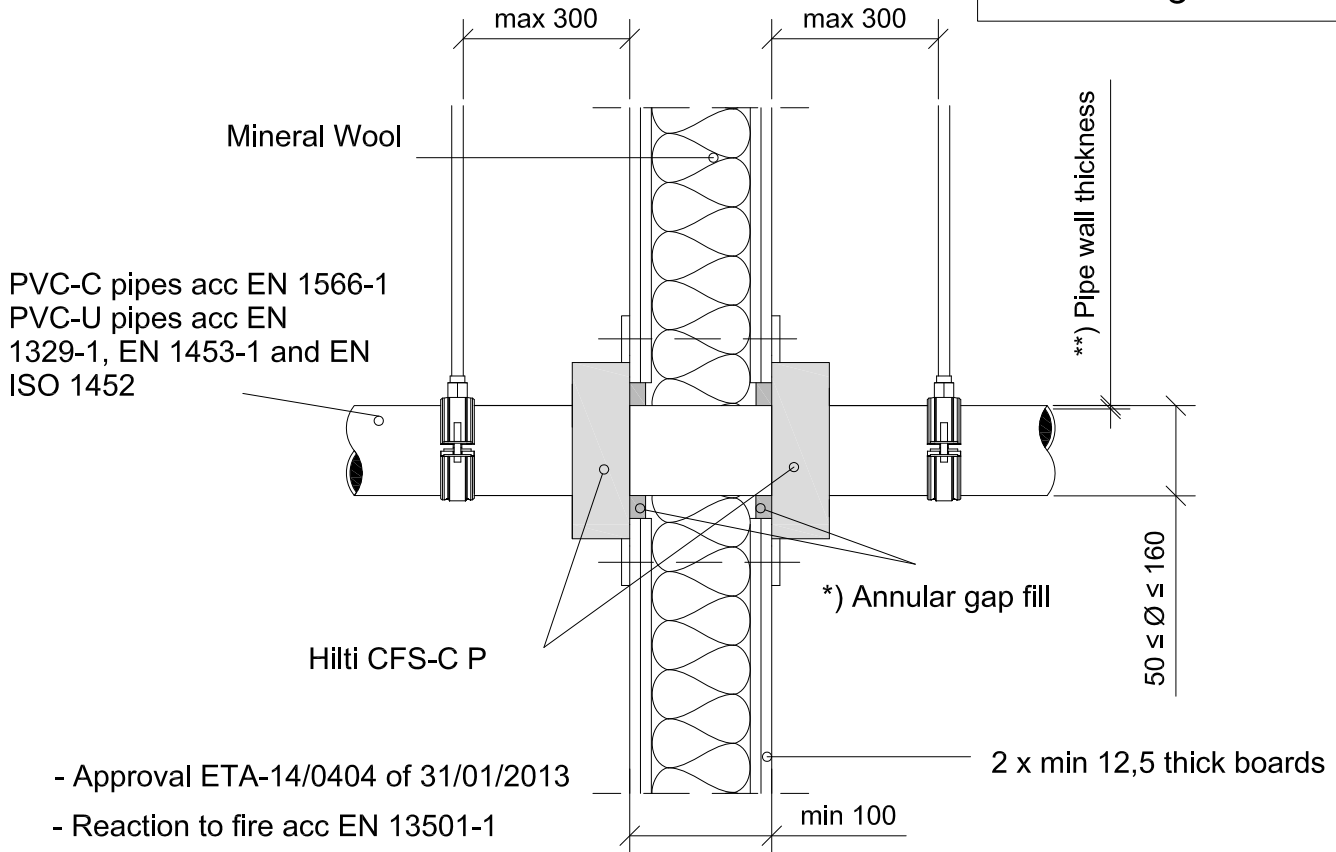
REV

00

No scale

All units are in millimetres

Fire Rating EI 120 U/U



PVC-C pipes acc EN 1566-1
PVC-U pipes acc EN 1329-1, EN 1453-1 and EN ISO 1452

Hilti CFS-C P

- Approval ETA-14/0404 of 31/01/2013
- Reaction to fire acc EN 13501-1
- Fire resistance test acc 1366-3
- Installation according to Hilti instructions

Sound Insulation for flexible wall

$$D_{n,w} = 60 \text{ dB}$$

$$R_w = 53 \text{ dB}$$

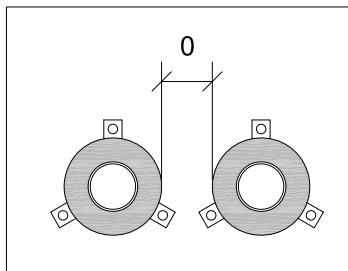
*) Annular gap fill material

Hilti Firestop Acrylic Sealant CFS-S ACR on both sides with depth > 15 mm from the surface of the wall.

Gypsum plaster or cementitious mortar over the entire thickness of the wall.

**) Pipe wall thickness

Pipe Ø	Pipe Wall Thickness	Collar Size
50	2.4-5.6	CFS-C P 50/1.5"
63	3.0-4.7	CFS-C P 63/2"
75	2.2-3.6	CFS-C P 75/2.5"
90	2.7-4.3	CFS-C P 90/3"
110	2.2-8.1	CFS-C P 110/4"
125	3.7-6.0	CFS-C P 125/5"
160	2.5-11.8	CFS-C P 160/6"



Zero distance between annular gap



CONTENTS

Al composite pipe in a flexible wall

ID

IND-FW-AL-0083

FIRESTOP COLLAR

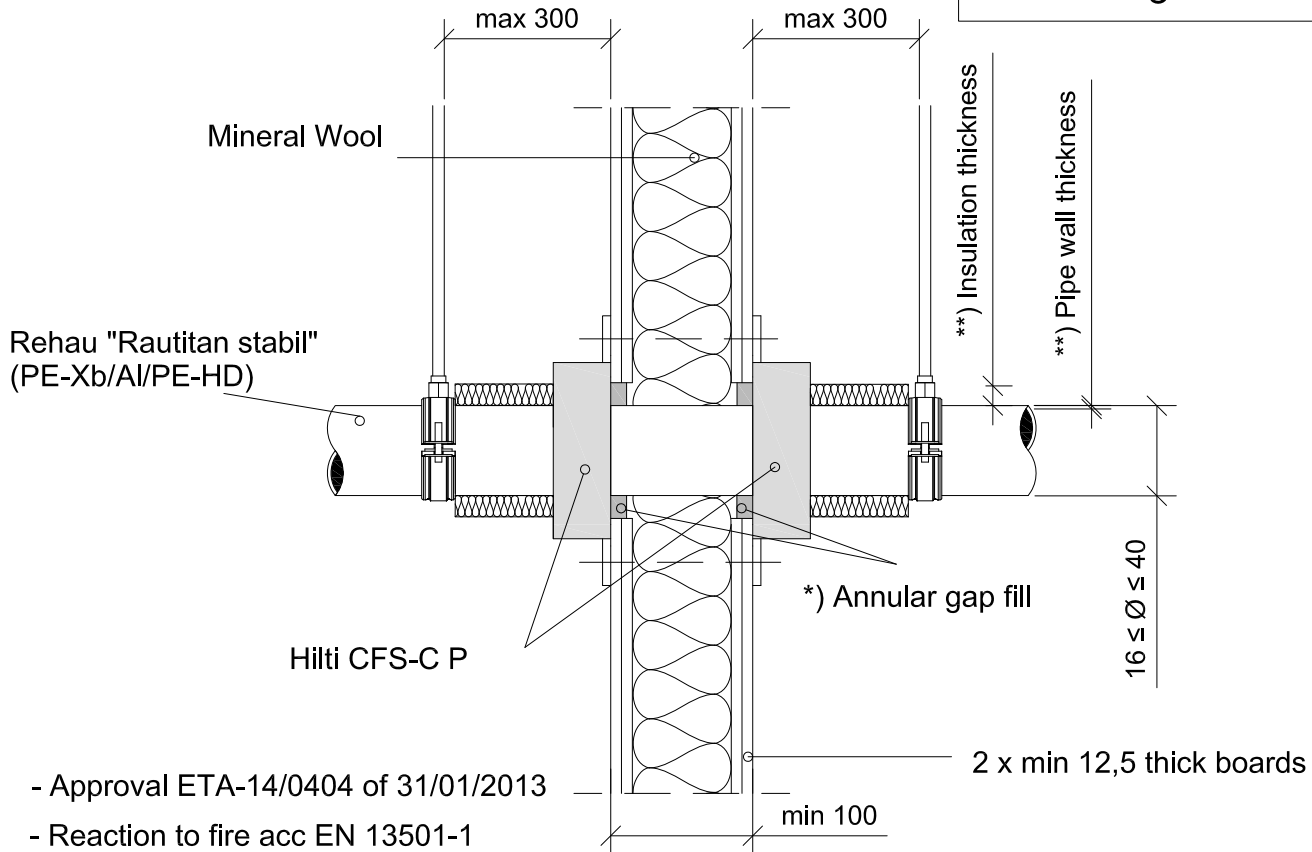
0083_01

REV
00

No scale

All units are in millimetres

Fire Rating EI 120 U/C



- Approval ETA-14/0404 of 31/01/2013
- Reaction to fire acc EN 13501-1
- Fire resistance test acc 1366-3
- Installation according to Hilti instructions

Sound Insulation for flexible wall

$$D_{n,w} = 60 \text{ dB}$$

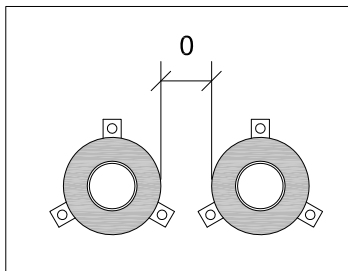
$$R_w = 53 \text{ dB}$$

*) Annular gap fill material

Hilti Firestop Acrylic Sealant CFS-S ACR on both sides with depth > 25 mm from the surface of the wall.

Gypsum plaster over the entire thickness of the wall.

**) Pipe wall and insulation thickness - Armaflex AF, continued sustained



Zero distance between annular gap

Pipe Ø	Pipe Wall Thickness	Insulation Thickness	Collar Size
16	2.6	11.5	CFS-C P 50/1.5"
20	2.9	11.5-13	CFS-C P 63/2"
25	3.7	11.5-13	CFS-C P 63/2"
32	4.7	13	CFS-C P 63/2"
40	6.0	9	CFS-C P 63/2"