

## Schémas d'applications pour le collier CFS-C P



### Applications pour industrie en dalle rigide épaisseur 150 mm

- Tube plastique PE IND-RF-PP-0056/57/58/59
- Tube plastique PP IND-RF-PP-0063/64/65/66/67/568/69
- Tube plastique PVC IND-RF-PP-0070/71/72
- Tube Al composite avec isolant type Armaflex IND-RF-AL-0106/107

\*) Tous les schémas sont également disponibles sur demande en format DWG pour faciliter l'insertion sur des plans.



CONTENTS

Straight plastic pipe in a floor

ID

IND-RF-PP-0056

FIRESTOP COLLAR

0056\_01

REV

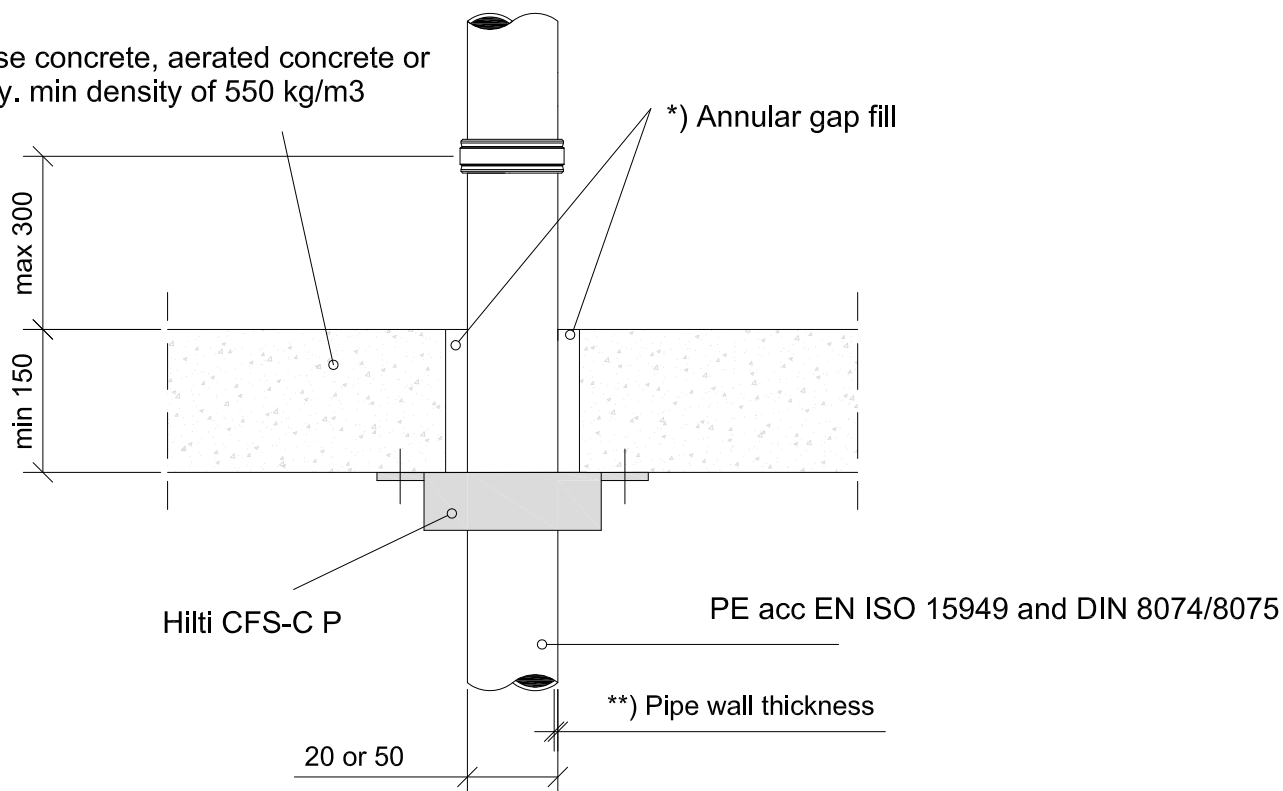
00

No scale

All units are in millimetres

Fire Rating EI 90 U/U

Comprise concrete, aerated concrete or masonry. min density of 550 kg/m<sup>3</sup>



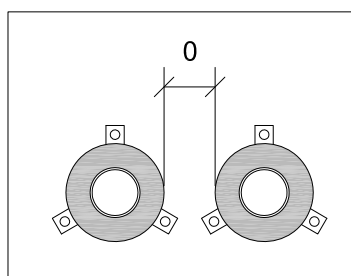
\*) Annular gap fill material

Hilti Firestop Acrylic Sealant CFS-S ACR on both sides with depth > 10 mm from the surface of the wall, backfilled with mineral wool min 60 kg/m<sup>3</sup>.

Gypsum plaster or cementitious mortar over the entire thickness of the floor.

- Approval ETA-14/0404 of 31/01/2013
- Reaction to fire acc EN 13501-1
- Fire resistance test acc 1366-3
- Installation according to Hilti instructions

\*\* ) Pipe wall thickness



Zero distance between annular gap

Pipe Ø	Pipe wall thickness	Collar Size
20	1.9-2.8	CFS-C P 50/1.5"
20-50	1.9/2.9-2.8/4.6	CFS-C P 50/1.5"



CONTENTS

Straight plastic pipe in a floor

ID

IND-RF-PP-0057

FIRESTOP COLLAR

0057\_01

REV

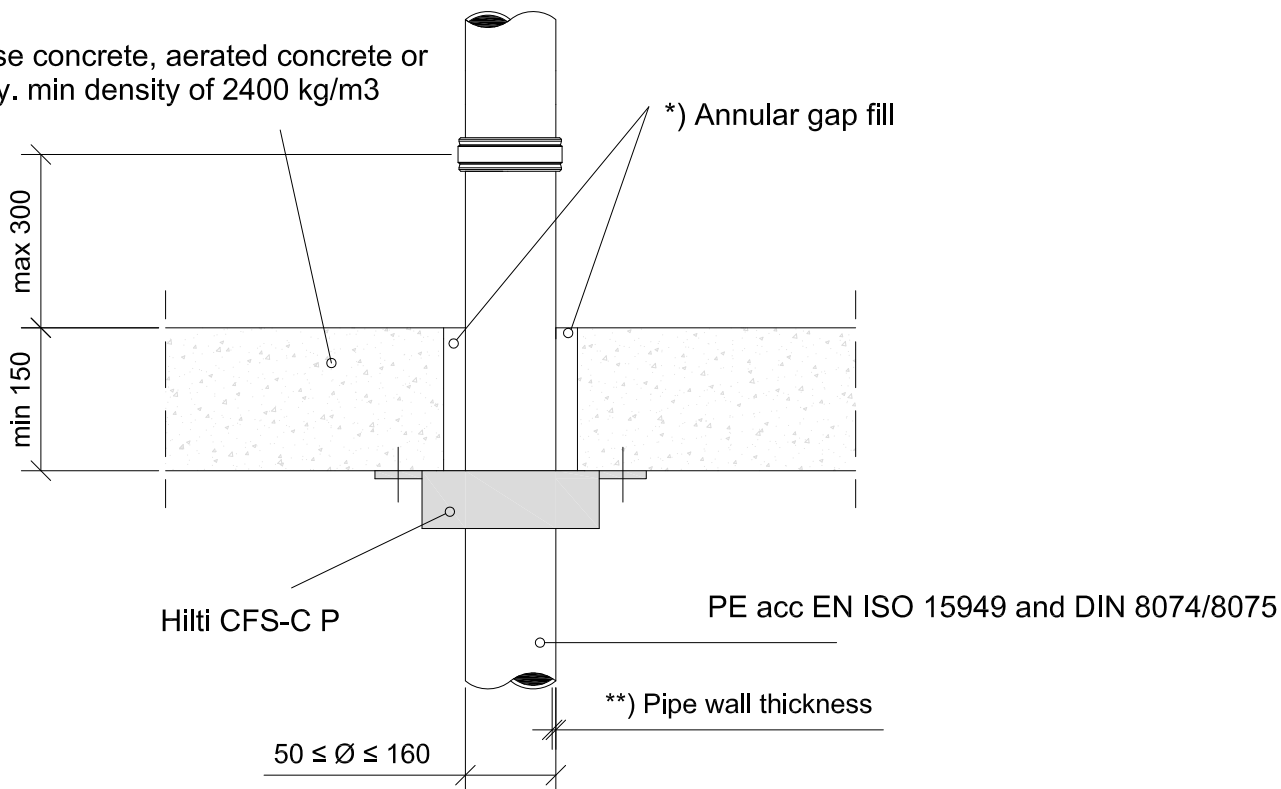
00

No scale

All units are in millimetres

Fire Rating EI 120 U/U

Comprise concrete, aerated concrete or masonry. min density of 2400 kg/m<sup>3</sup>



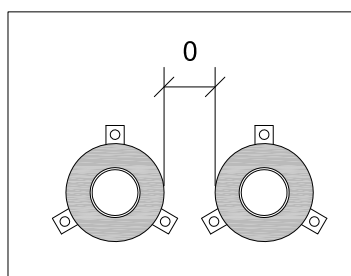
\* ) Annular gap fill material

Hilti Firestop Acrylic Sealant CFS-S ACR on both sides with depth > 10 mm from the surface of the wall, backfilled with mineral wool min 60 kg/m<sup>3</sup>.

Gypsum plaster or cementitious mortar over the entire thickness of the floor.

- Approval ETA-14/0404 of 31/01/2013
- Reaction to fire acc EN 13501-1
- Fire resistance test acc 1366-3
- Installation according to Hilti instructions

\*\* ) Pipe wall thickness



Zero distance between annular gap

Pipe Ø	Pipe wall thickness	Collar Size
50	2.9-4.6	CFS-C P 50/1.5"
63	1.8-5.8	CFS-C P 63/2"
75	1.9-6.8	CFS-C P 75/2.5"
90	2.2-8.2	CFS-C P 90/3"
110	2.7-10	CFS-C P 110/4"
125	3.1-7.1	CFS-C P 125/5"
160	4.0-9.1	CFS-C P 160/6"



CONTENTS

Straight plastic pipe in a floor

ID

IND-RF-PP-0058

FIRESTOP COLLAR

0058\_01

REV

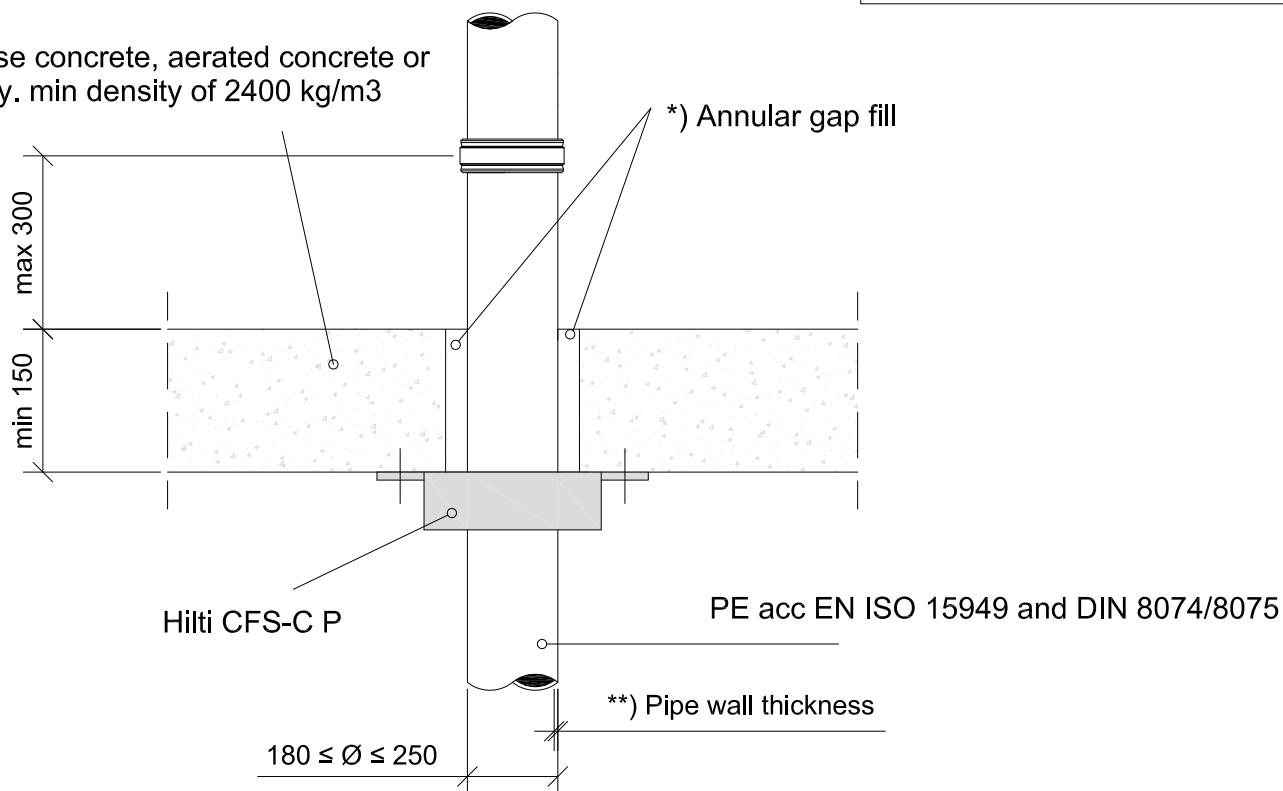
00

No scale

All units are in millimetres

Fire Rating EI 120 U/C

Comprise concrete, aerated concrete or masonry. min density of 2400 kg/m<sup>3</sup>



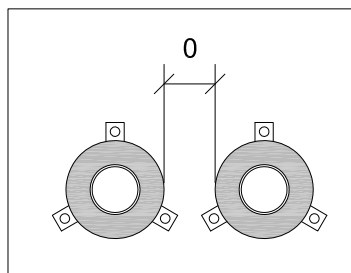
\* ) Annular gap fill material

Hilti Firestop Acrylic Sealant CFS-S ACR on both sides with depth > 10 mm from the surface of the wall, backfilled with mineral wool min 60 kg/m<sup>3</sup>.

Gypsum plaster or cementitious mortar over the entire thickness of the floor.

\*\* ) Pipe wall thickness

Pipe Ø	Pipe wall thickness	Collar Size
180	4.4-16.4	CFS-C P 180/7"
200	4.9-11.4	CFS-C P 200/8"
225	5.5-12.8	CFS-C P 225/9"
250	6.2-22.7	CFS-C P 250/10"



Zero distance between annular gap

- Approval ETA-14/0404 of 31/01/2013
- Reaction to fire acc EN 13501-1
- Fire resistance test acc 1366-3
- Installation according to Hilti instructions



CONTENTS

Straight plastic pipe in a floor

ID

IND-RF-PP-0059

FIRESTOP COLLAR

0059\_01

REV

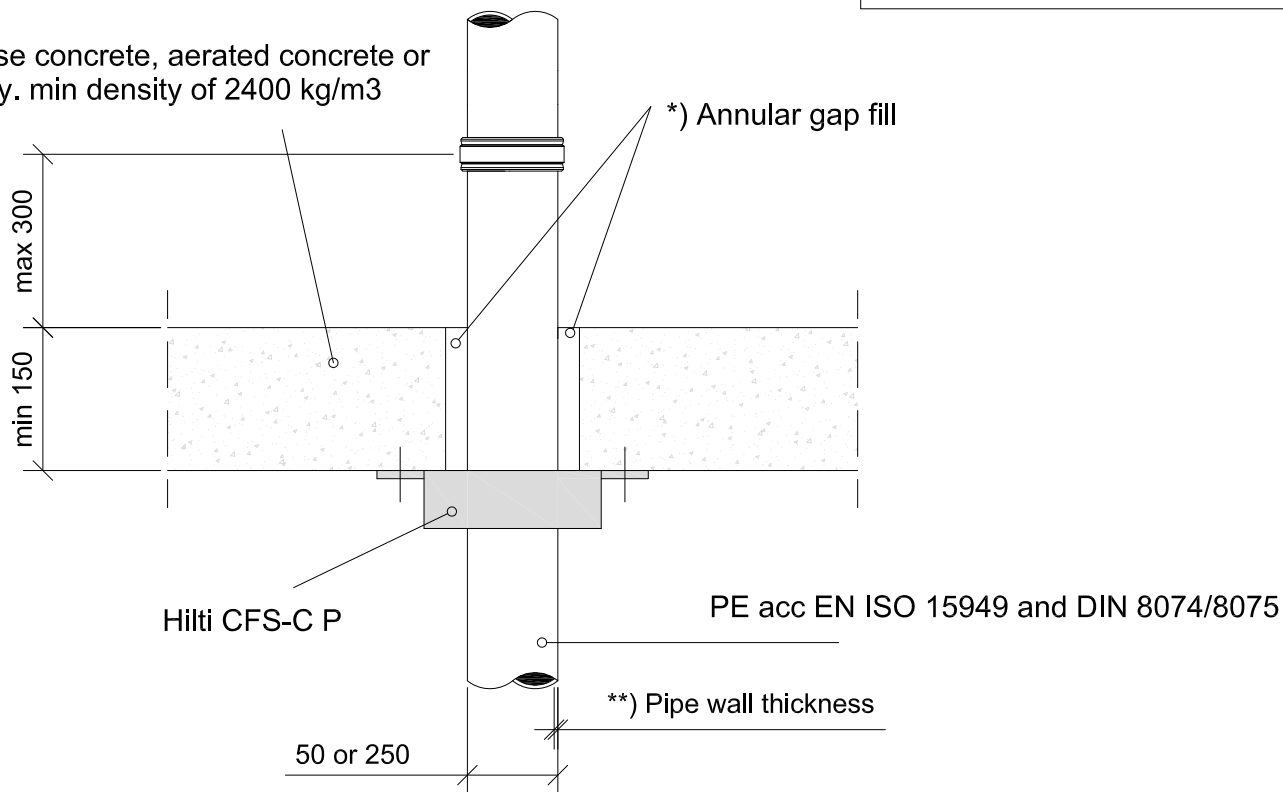
00

No scale

All units are in millimetres

Fire Rating EI 180 U/C

Comprise concrete, aerated concrete or masonry. min density of 2400 kg/m<sup>3</sup>



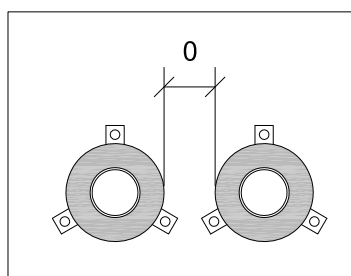
\* ) Annular gap fill material

Hilti Firestop Acrylic Sealant CFS-S ACR on both sides with depth > 10 mm from the surface of the wall, backfilled with mineral wool min 60 kg/m<sup>3</sup>.

Gypsum plaster or cementitious mortar over the entire thickness of the floor.

\*\* ) Pipe wall thickness

Pipe Ø	Pipe wall thickness	Collar Size
50	2.9	CFS-C P 50/1.5"
250	7.8	CFS-C P 250/10"



Zero distance between annular gap

- Approval ETA-14/0404 of 31/01/2013
- Reaction to fire acc EN 13501-1
- Fire resistance test acc 1366-3
- Installation according to Hilti instructions



CONTENTS

Straight plastic pipe in a floor

ID

IND-RF-PP-0063

FIRESTOP COLLAR

0063\_01

REV

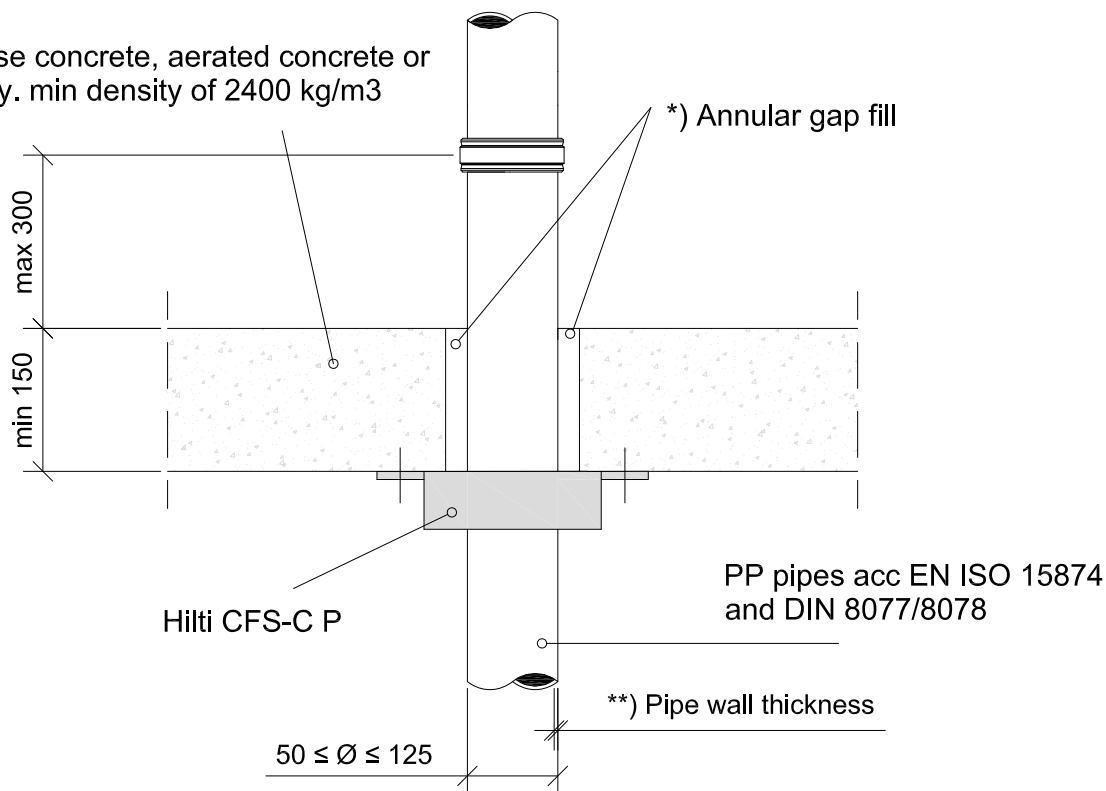
00

No scale

All units are in millimetres

Fire Rating EI 180 U/U

Comprise concrete, aerated concrete or masonry. min density of 2400 kg/m<sup>3</sup>



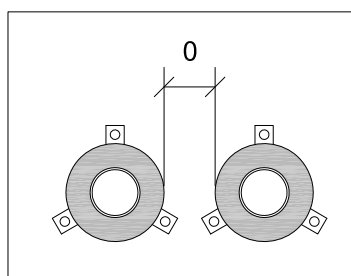
\* ) Annular gap fill material

Hilti Firestop Acrylic Sealant CFS-S ACR on both sides with depth > 10 mm from the surface of the wall, backfilled with mineral wool min 60 kg/m<sup>3</sup>.

Gypsum plaster or cementitious mortar over the entire thickness of the floor.

- Approval ETA-14/0404 of 31/01/2013
- Reaction to fire acc EN 13501-1
- Fire resistance test acc 1366-3
- Installation according to Hilti instructions

\*\* ) Pipe wall thickness



Zero distance between annular gap

Pipe Ø	Pipe wall thickness	Collar Size
50	1.8-2.9	CFS-C P 50/1.5"
63	1.8-5.8	CFS-C P 63/2"
75	1.9-6.8	CFS-C P 75/2.5"
90	2.2-8.2	CFS-C P 90/3"
110	2.7	CFS-C P 110/4"
125	3.1	CFS-C P 125/5"

Maximum thickness of sound decoupling: 9 mm



CONTENTS

Straight plastic pipe in a floor

ID

IND-RF-PP-0064

FIRESTOP COLLAR

0064\_01

REV

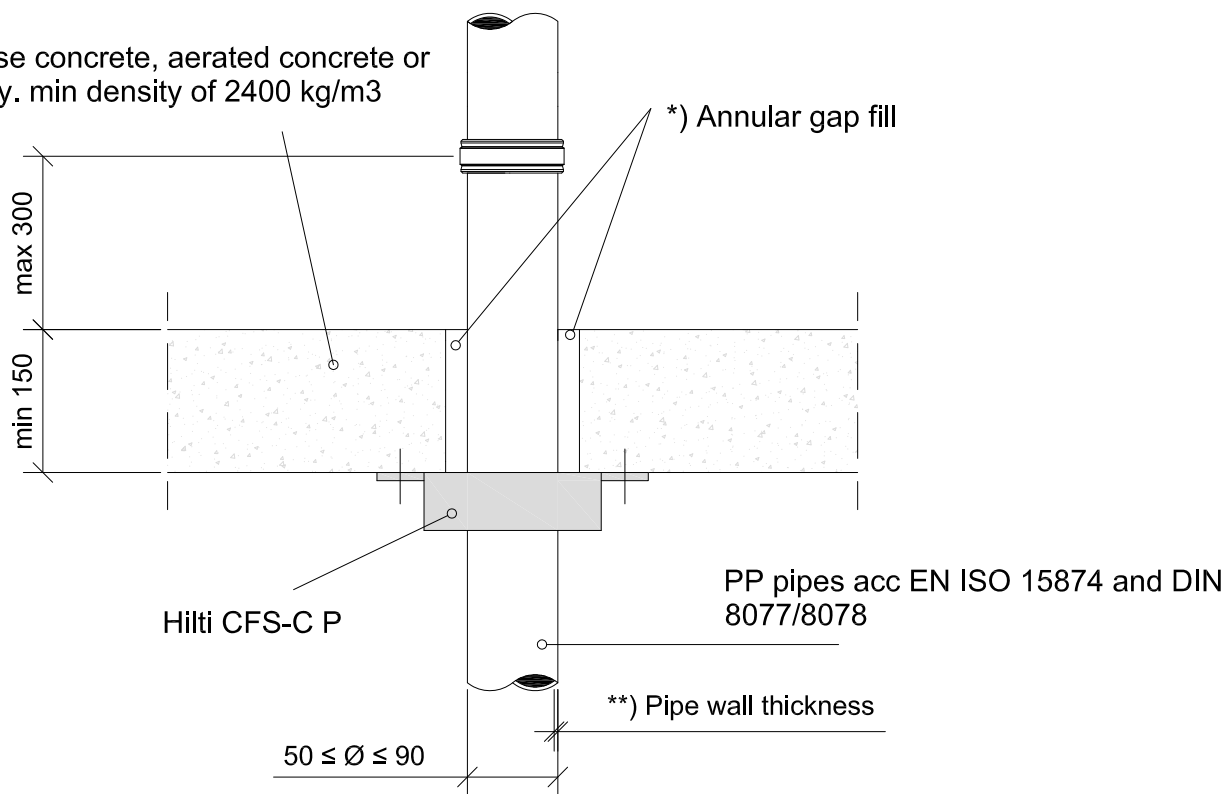
00

No scale

All units are in millimetres

Fire Rating EI 180 U/C

Comprise concrete, aerated concrete or masonry. min density of 2400 kg/m<sup>3</sup>



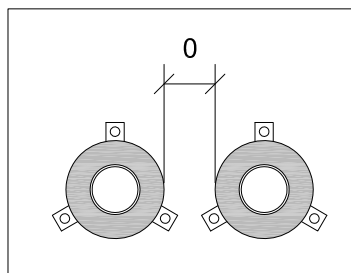
\*) Annular gap fill material

Hilti Firestop Acrylic Sealant CFS-S ACR on both sides with depth > 10 mm from the surface of the wall, backfilled with mineral wool min 60 kg/m<sup>3</sup>.

Gypsum plaster or cementitious mortar over the entire thickness of the floor.

- Approval ETA-14/0404 of 31/01/2013
- Reaction to fire acc EN 13501-1
- Fire resistance test acc 1366-3
- Installation according to Hilti instructions

\*\*) Pipe wall thickness



Zero distance between annular gap

Pipe Ø	Pipe wall thickness	Collar Size
50	4.6-8.3	CFS-C P 50/1.5"
63	5.8-10.5	CFS-C P 63/2"
75	6.8	CFS-C P 75/2.5"
90	8.2	CFS-C P 90/3"

Maximum thickness of sound decoupling: 9 mm



CONTENTS

Straight plastic pipe in a floor

ID

IND-RF-PP-0065

FIRESTOP COLLAR

0065\_01

REV

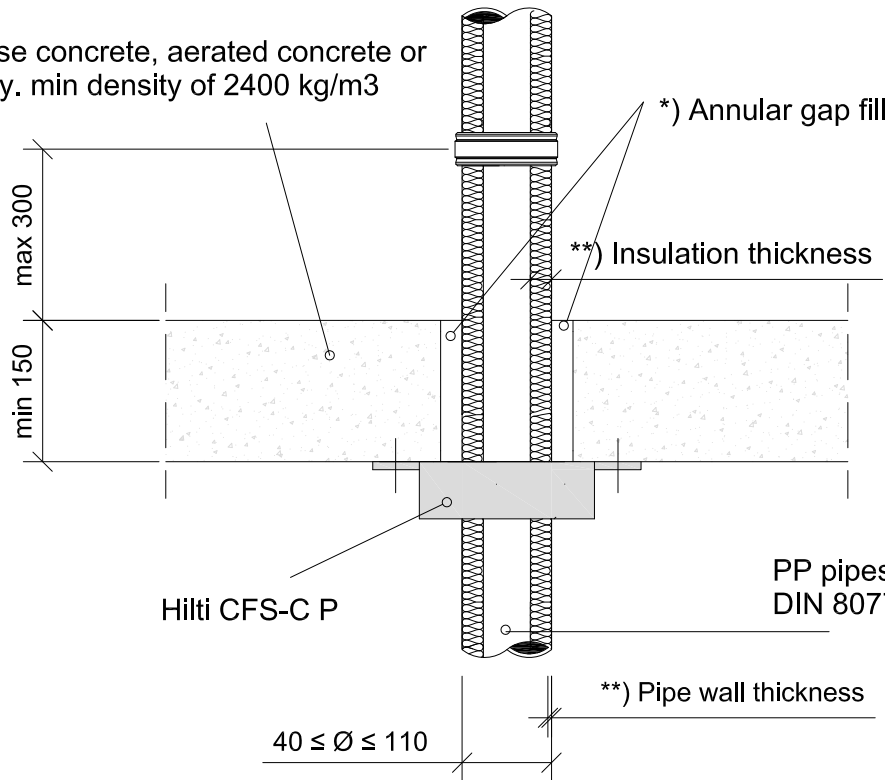
00

No scale

All units are in millimetres

Fire Rating EI 180 U/C

Comprise concrete, aerated concrete or masonry. min density of 2400 kg/m<sup>3</sup>



PP pipes acc EN ISO 15874 and DIN 8077/8078

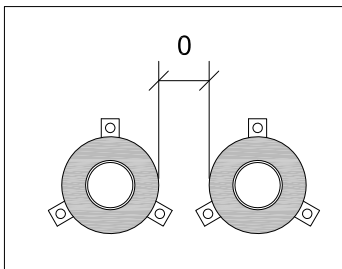
\*) Annular gap fill material

Hilti Firestop Acrylic Sealant CFS-S ACR on both sides with depth > 10 mm from the surface of the wall, backfilled with mineral wool min 60 kg/m<sup>3</sup>.

Gypsum plaster or cementitious mortar over the entire thickness of the floor.

- Approval ETA-14/0404 of 31/01/2013
- Reaction to fire acc EN 13501-1
- Fire resistance test acc 1366-3
- Installation according to Hilti instructions

\*\*) Pipe wall and insulation thickness (Armaflex AF)



Zero distance between annular gap

Pipe Ø	Pipe Wall Thickness	Insulation Thickness	Collar Size
40	3.7-5.5	9	CFS-C P 63/2"
50	4.6-6.9	9	CFS-C P 75/2.5"
75	6.8-10.3	10	CFS-C P 90/3"
110	10-15.1	10	CFS-C P 125/5"





CONTENTS

Straight plastic pipe in a floor

ID

IND-RF-PP-0066

FIRESTOP COLLAR

0066\_01

REV

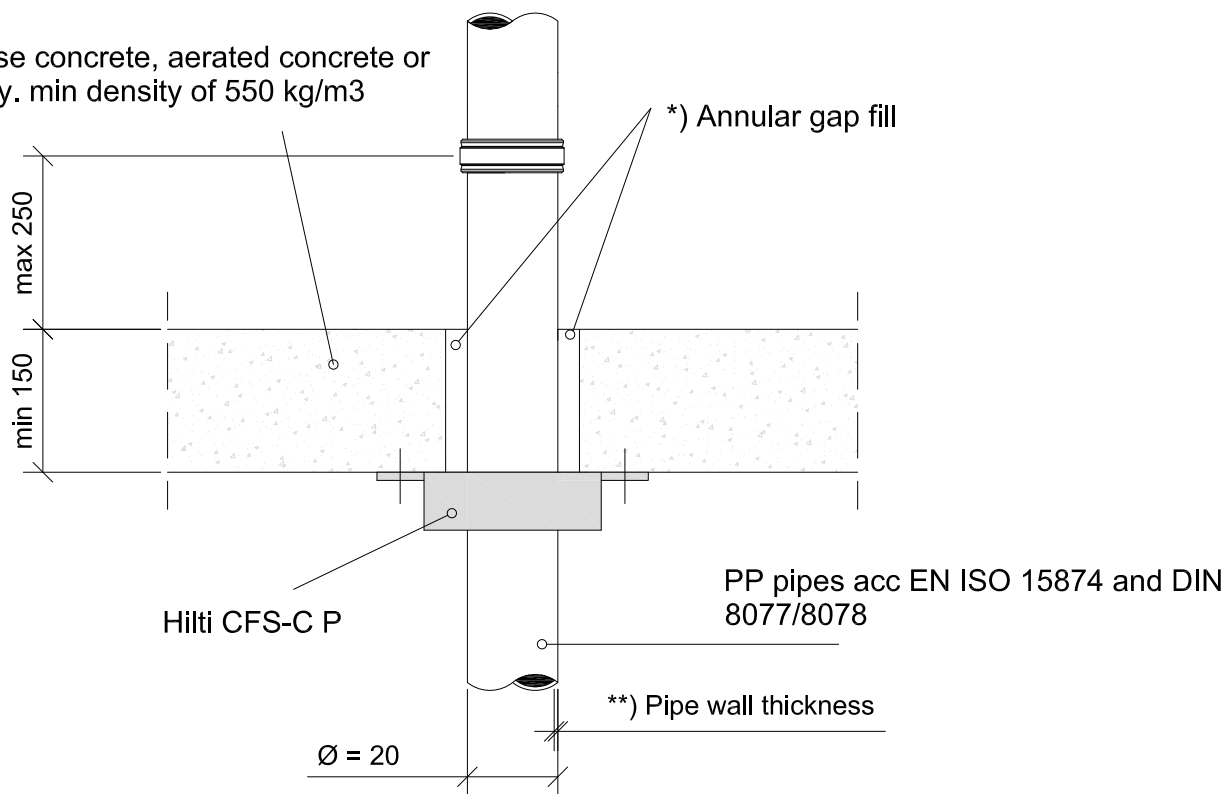
00

No scale

All units are in millimetres

Fire Rating EI 120 U/U

Comprise concrete, aerated concrete or masonry. min density of 550 kg/m<sup>3</sup>

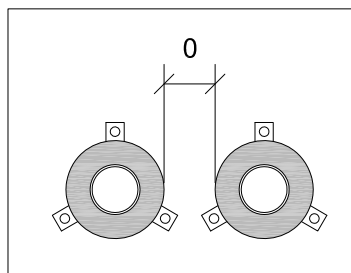


\*) Annular gap fill material

Hilti Firestop Acrylic Sealant CFS-S ACR on both sides with depth > 10 mm from the surface of the wall, backfilled with mineral wool min 60 kg/m<sup>3</sup>.

Gypsum plaster or cementitious mortar over the entire thickness of the floor.

- Approval ETA-14/0404 of 31/01/2013
- Reaction to fire acc EN 13501-1
- Fire resistance test acc 1366-3
- Installation according to Hilti instructions



Zero distance between annular gap

\*\*\*) Pipe wall thickness

Pipe Ø	Pipe wall thickness	Collar Size
20	1.9-3.4	CFS-C P 50/1.5"

Maximum thickness of sound decoupling: 9 mm



CONTENTS

Straight plastic pipe in a floor

ID

IND-RF-PP-0067

FIRESTOP COLLAR

0067\_01

REV

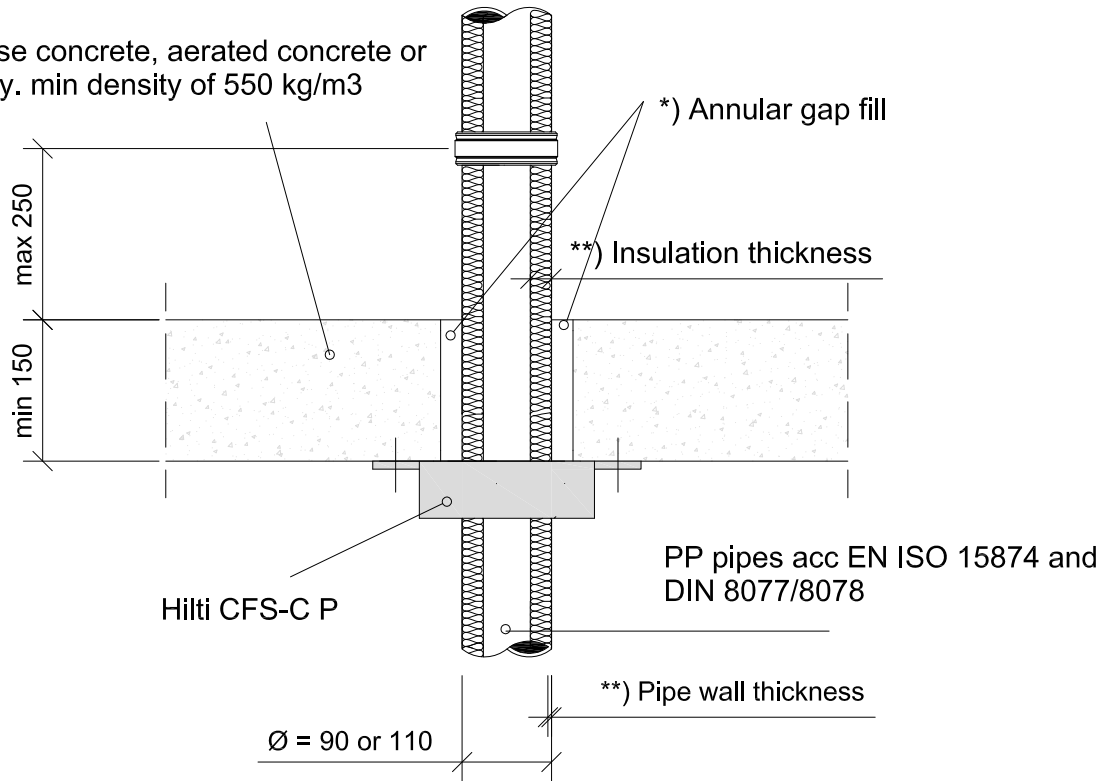
00

No scale

All units are in millimetres

Fire Rating EI 120 U/C

Comprise concrete, aerated concrete or masonry. min density of 550 kg/m<sup>3</sup>



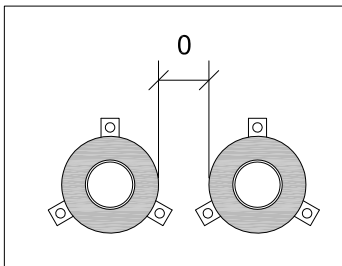
\*) Annular gap fill material

Hilti Firestop Acrylic Sealant CFS-S ACR on both sides with depth > 10 mm from the surface of the wall, backfilled with mineral wool min 60 kg/m<sup>3</sup>.

Gypsum plaster or cementitious mortar over the entire thickness of the floor.

- Approval ETA-14/0404 of 31/01/2013
- Reaction to fire acc EN 13501-1
- Fire resistance test acc 1366-3
- Installation according to Hilti instructions

\*\*\*) Pipe wall and insulation thickness (Armaflex AF)



Zero distance between annular gap

Pipe Ø	Pipe Wall Thickness	Insulation Thickness	Collar Size
90	12.3	22.5	CFS-C P 160/6"
110	15.1	10.0	CFS-C P 125/5"



CONTENTS

Straight plastic pipe in a floor

ID

IND-RF-PP-0068

FIRESTOP COLLAR

0068\_01

REV

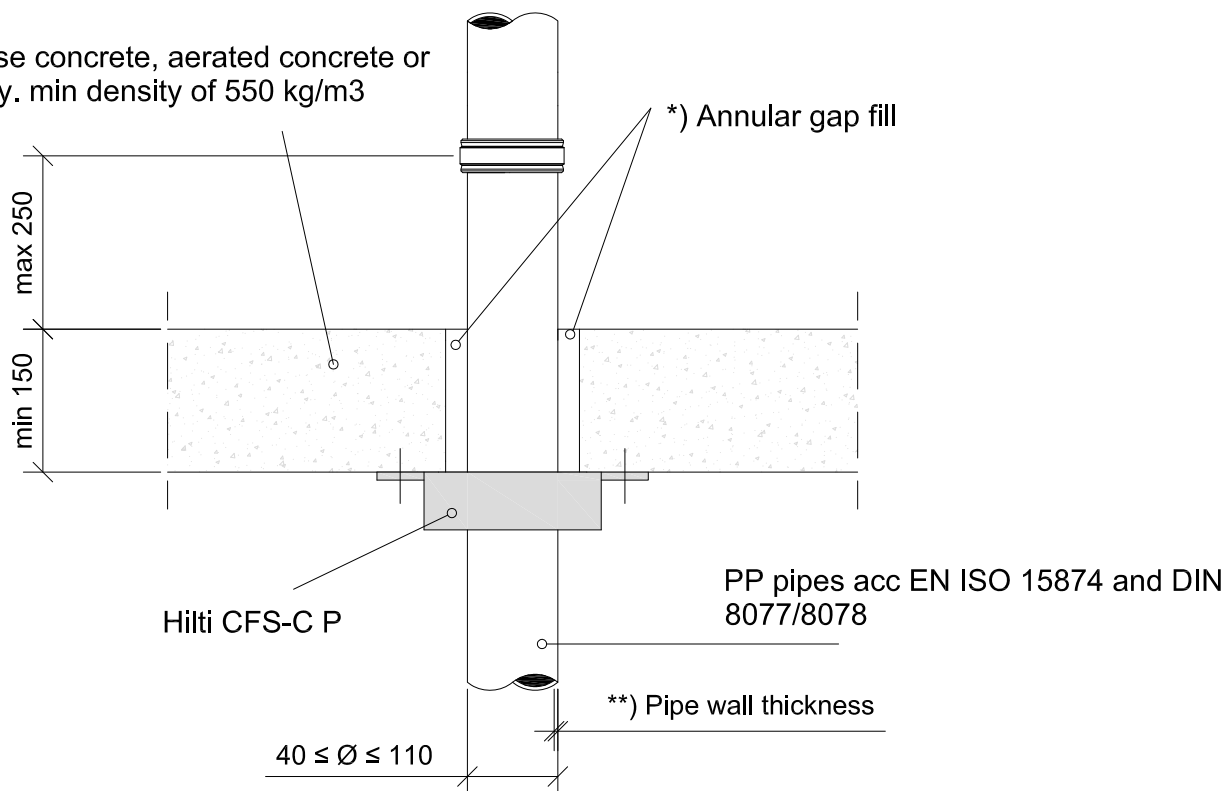
00

No scale

All units are in millimetres

Fire Rating EI 120 U/C

Comprise concrete, aerated concrete or masonry. min density of 550 kg/m<sup>3</sup>



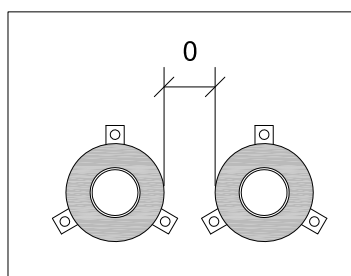
\*) Annular gap fill material

Hilti Firestop Acrylic Sealant CFS-S ACR on both sides with depth > 10 mm from the surface of the wall, backfilled with mineral wool min 60 kg/m<sup>3</sup>.

Gypsum plaster or cementitious mortar over the entire thickness of the floor.

- Approval ETA-14/0404 of 31/01/2013
- Reaction to fire acc EN 13501-1
- Fire resistance test acc 1366-3
- Installation according to Hilti instructions

\*\*\*) Pipe wall thickness



Zero distance between annular gap

Pipe Ø	Pipe wall thickness	Collar Size
40	3.7-5.5	CFS-C P 50/1.5"
50	4.6-6.9	CFS-C P 50/1.5"
75	6.8	CFS-C P 75/2.5"
90	12.3	CFS-C P 90/3"
110	10-15.1	CFS-C P 110/4"

Maximum thickness of sound decoupling: 9 mm



CONTENTS

Straight plastic pipe in a floor

ID

IND-RF-PP-0069

FIRESTOP COLLAR

0069\_01

REV

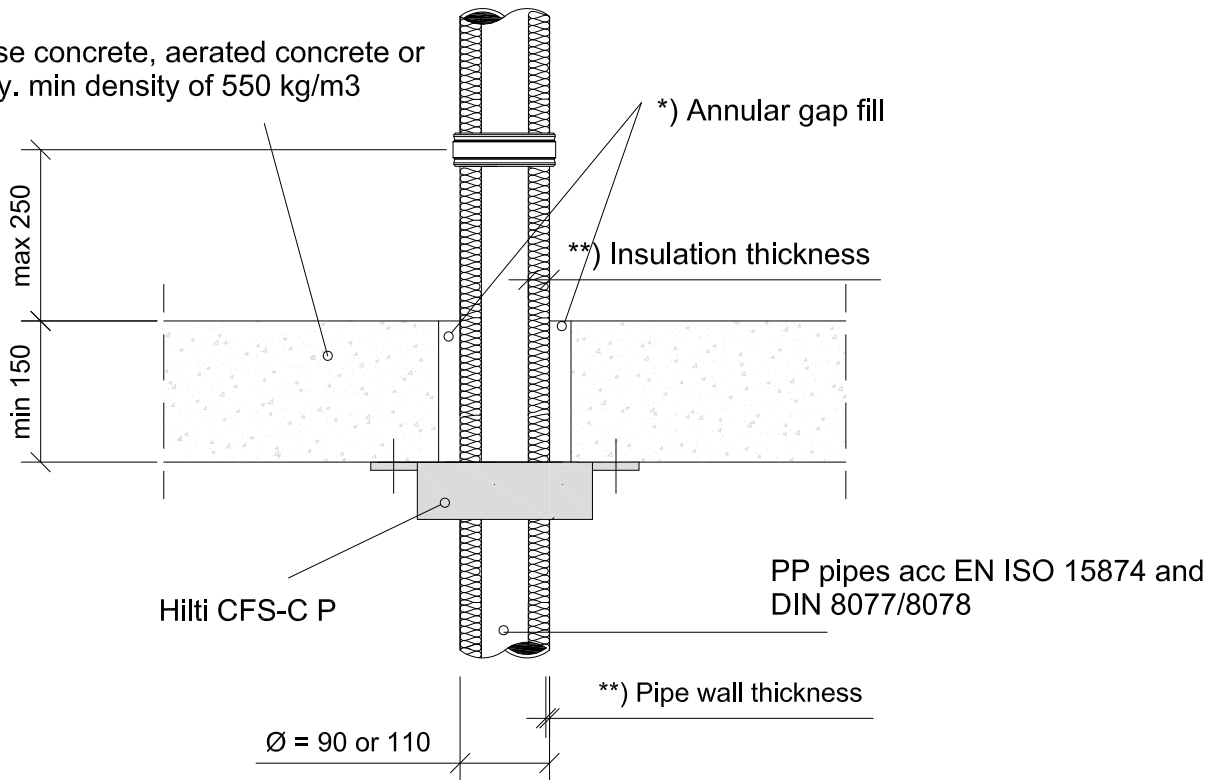
00

No scale

Fire Rating EI 120 U/C

All units are in millimetres

Comprise concrete, aerated concrete or masonry. min density of 550 kg/m<sup>3</sup>

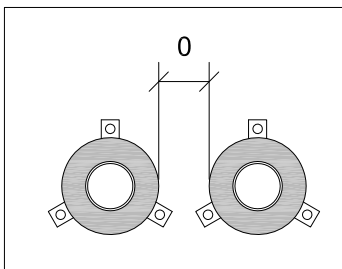


\*) Annular gap fill material

Hilti Firestop Acrylic Sealant CFS-S ACR on both sides with depth > 10 mm from the surface of the wall, backfilled with mineral wool min 60 kg/m<sup>3</sup>.

Gypsum plaster or cementitious mortar over the entire thickness of the floor.

- Approval ETA-14/0404 of 31/01/2013
- Reaction to fire acc EN 13501-1
- Fire resistance test acc 1366-3
- Installation according to Hilti instructions



Zero distance between annular gap

\*\*) Pipe wall and insulation thickness (Armaflex AF)

Pipe Ø	Pipe Wall Thickness	Insulation Thickness	Collar Size
90	12.3	22.5	CFS-C P 160/6"
110	15.1	10.0	CFS-C P 125/5"



CONTENTS

Straight plastic pipe in a floor

ID

IND-RF-PP-0070

FIRESTOP COLLAR

0070\_01

REV

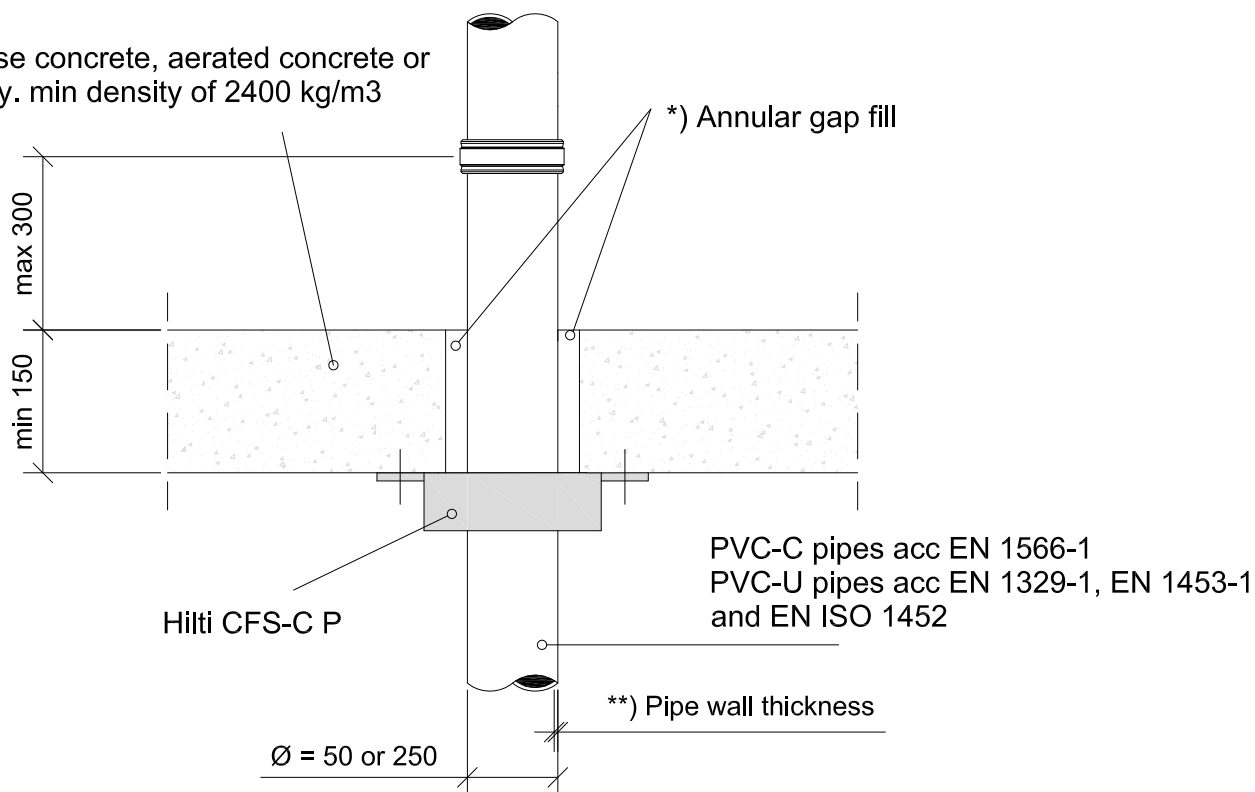
00

No scale

All units are in millimetres

Fire Rating EI 180 U/C

Comprise concrete, aerated concrete or masonry. min density of 2400 kg/m<sup>3</sup>

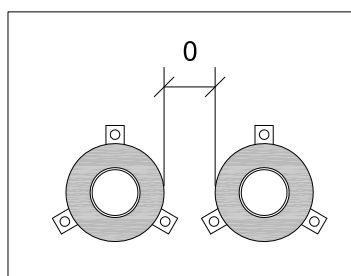


\*) Annular gap fill material

Hilti Firestop Acrylic Sealant CFS-S ACR on both sides with depth > 10 mm from the surface of the wall, backfilled with mineral wool min 60 kg/m<sup>3</sup>.

Gypsum plaster or cementitious mortar over the entire thickness of the floor.

- Approval ETA-14/0404 of 31/01/2013
- Reaction to fire acc EN 13501-1
- Fire resistance test acc 1366-3
- Installation according to Hilti instructions



Zero distance between annular gap

\*\*\*) Pipe wall thickness

Pipe Ø	Pipe wall thickness	Collar Size
50	1.8	CFS-C P 50/1.5"
250	4.0-11.9	CFS-C P 250/10"

Maximum thickness of sound decoupling: 9 mm



CONTENTS

Straight plastic pipe in a floor

ID

IND-RF-PP-0071

FIRESTOP COLLAR

0071\_01

REV

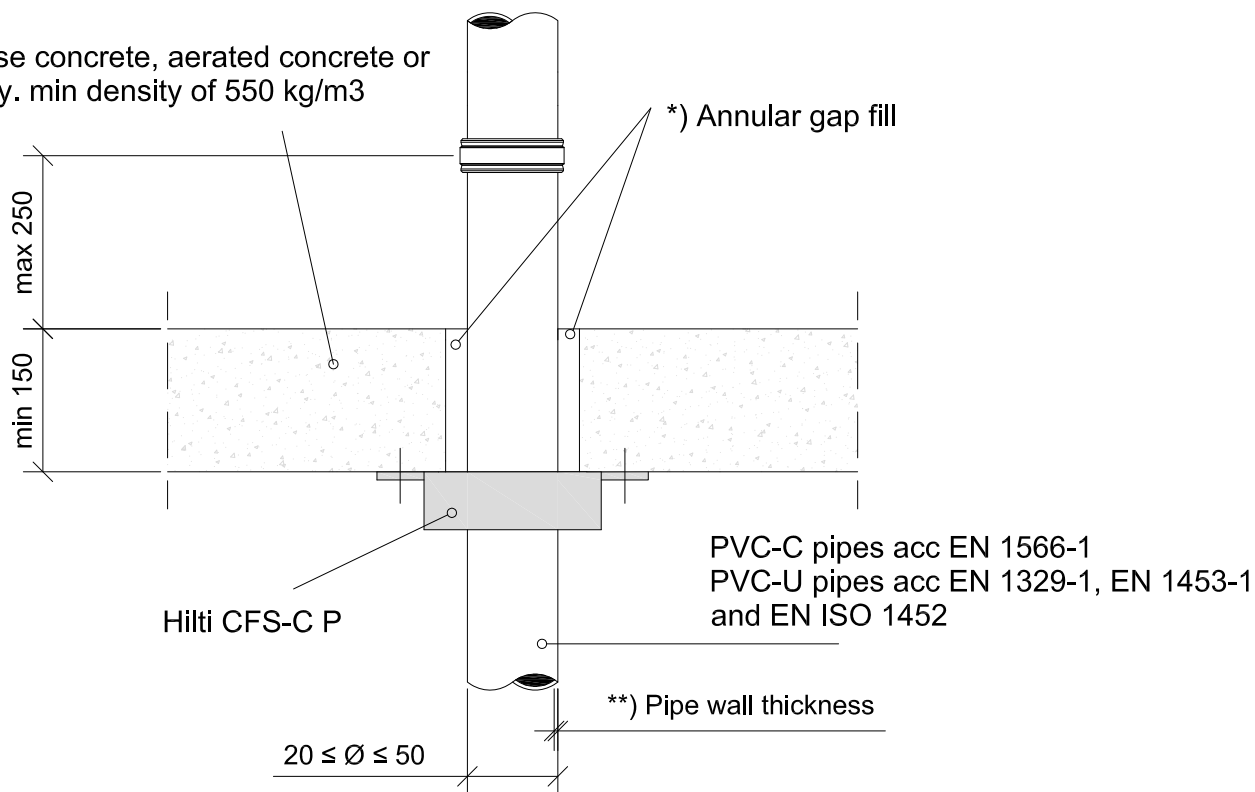
00

No scale

All units are in millimetres

Fire Rating EI 120 U/U

Comprise concrete, aerated concrete or masonry. min density of 550 kg/m<sup>3</sup>

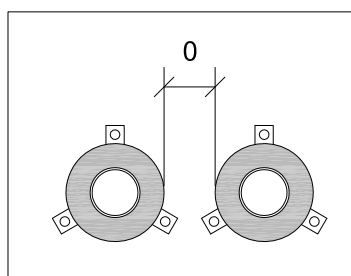


\*) Annular gap fill material

Hilti Firestop Acrylic Sealant CFS-S ACR on both sides with depth > 10 mm from the surface of the wall, backfilled with mineral wool min 60 kg/m<sup>3</sup>.

Gypsum plaster or cementitious mortar over the entire thickness of the floor.

- Approval ETA-14/0404 of 31/01/2013
- Reaction to fire acc EN 13501-1
- Fire resistance test acc 1366-3
- Installation according to Hilti instructions



Zero distance between annular gap

\*\*\*) Pipe wall thickness

Pipe Ø	Pipe wall thickness	Collar Size
20	1.5-2.2	CFS-C P 50/1.5"
20-50	1.5/2.4-2.2/5.6	CFS-C P 50/1.5"

Maximum thickness of sound decoupling: 9 mm



CONTENTS

Straight plastic pipe in a floor

ID

IND-RF-PP-0072

FIRESTOP COLLAR

0072\_01

REV

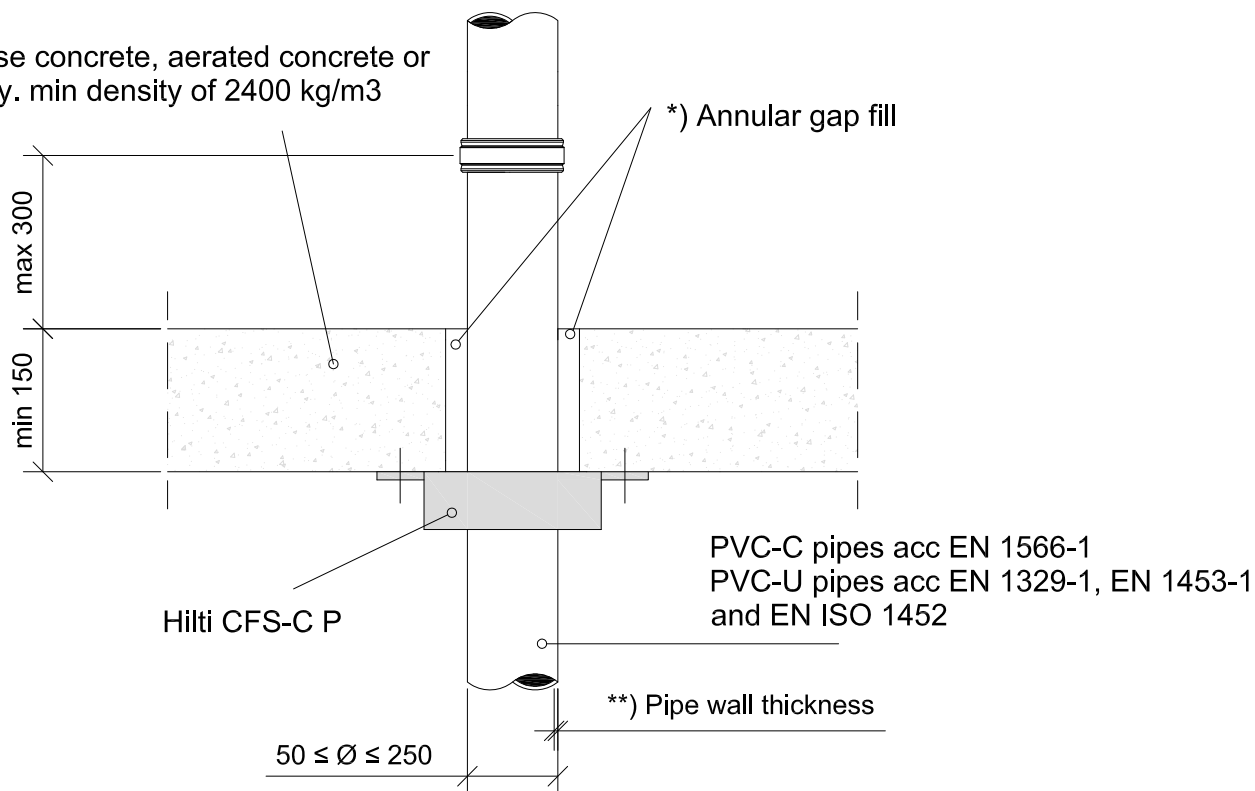
00

No scale

All units are in millimetres

Fire Rating EI 120 U/U

Comprise concrete, aerated concrete or masonry. min density of 2400 kg/m<sup>3</sup>



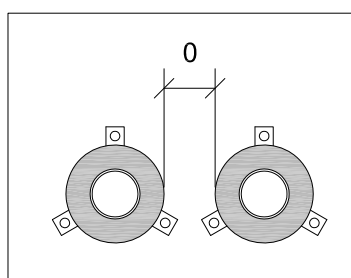
\*) Annular gap fill material

Hilti Firestop Acrylic Sealant CFS-S ACR on both sides with depth > 10 mm from the surface of the wall, backfilled with mineral wool min 60 kg/m<sup>3</sup>.

Gypsum plaster or cementitious mortar over the entire thickness of the floor.

- Approval ETA-14/0404 of 31/01/2013
- Reaction to fire acc EN 13501-1
- Fire resistance test acc 1366-3
- Installation according to Hilti instructions

\*\*\*) Pipe wall thickness



Zero distance between annular gap

Pipe Ø	Pipe wall thickness	Collar Size
50	2.4-5.6	CFS-C P 50/1.5"
63	3.0-4.7	CFS-C P 63/2"
75	2.2-3.6	CFS-C P 75/2.5"
90	2.7-4.3	CFS-C P 90/3"
110	1.8-8.1	CFS-C P 110/4"
125	3.7-6.0	CFS-C P 125/5"
160	2.5-11.8	CFS-C P 160/6"
180	3.6-8.6	CFS-C P 180/7"
200	4.0-9.6	CFS-C P 200/8"
225	4.5-10.8	CFS-C P 225/9"
250	4.9-11.9	CFS-C P 250/10"

Maximum thickness of sound decoupling: 5 mm



CONTENTS

Al composite pipe in a rigid floor

ID

IND-RF-AL-0106

FIRESTOP COLLAR

0106\_01

REV

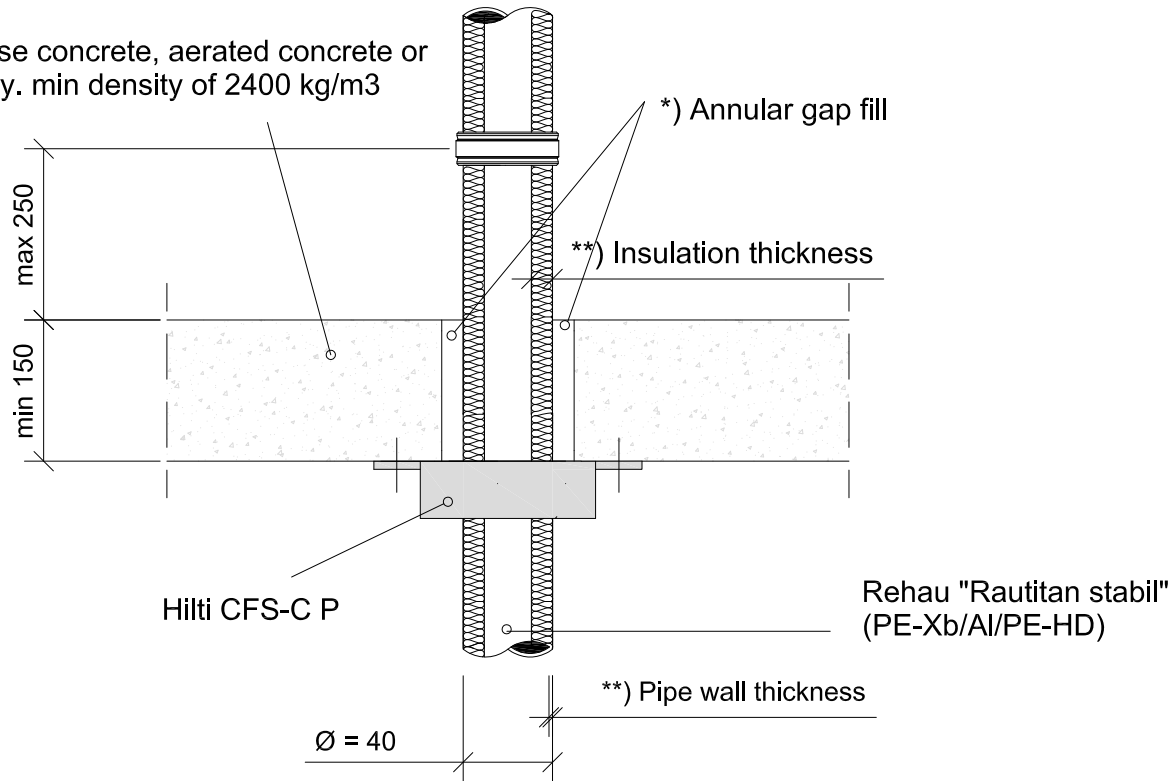
00

No scale

All units are in millimetres

Fire Rating EI 180 U/C

Comprise concrete, aerated concrete or masonry. min density of 2400 kg/m<sup>3</sup>

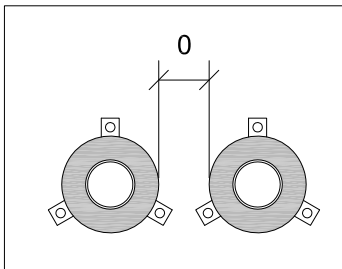


\*) Annular gap fill material

Hilti Firestop Acrylic Sealant CFS-S ACR on both sides with depth > 10 mm from the surface of the wall, backfilled with mineral wool min 60 kg/m<sup>3</sup>.

Gypsum plaster or cementitious mortar over the entire thickness of the floor.

- Approval ETA-14/0404 of 31/01/2013
- Reaction to fire acc EN 13501-1
- Fire resistance test acc 1366-3
- Installation according to Hilti instructions



Zero distance between annular gap

\*\*) Pipe wall and insulation thickness - Armaflex AF, continued sustained or local sustained (LD>250 mm)

Pipe Ø	Pipe Wall Thickness	Insulation Thickness	Collar Size
40	6.0	9.0	CFS-C P 63/2"





CONTENTS

Al composite pipe in a rigid floor

ID

IND-RF-AL-0107

FIRESTOP COLLAR

0107\_01

REV

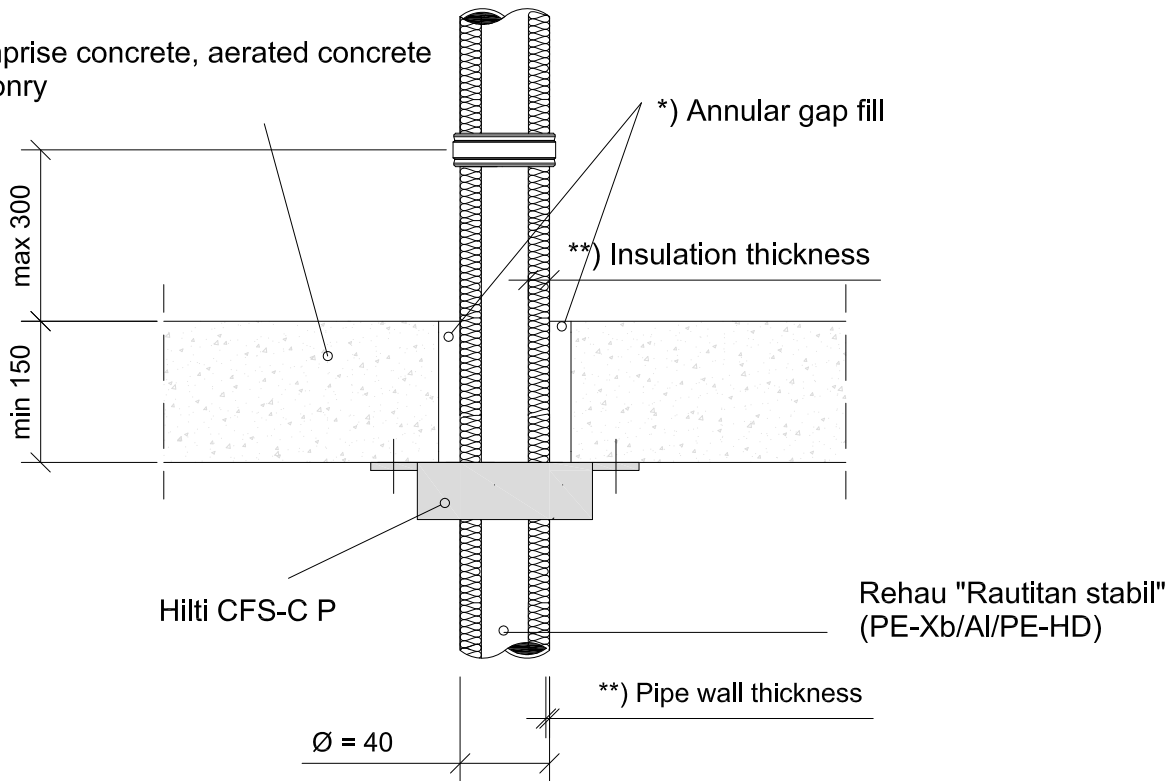
00

No scale

All units are in milimetres

Fire Rating EI 120 U/C

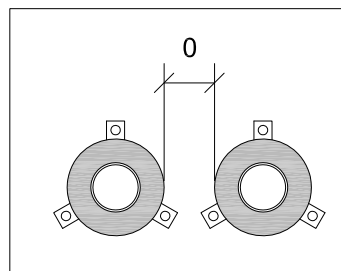
\*\*\*) Comprise concrete, aerated concrete or masonry



\*) Annular gap fill material

Hilti Firestop Acrylic Sealant CFS-S ACR on both sides with depth > 10 mm from the surface of the wall, backfilled with mineral wool min 60 kg/m<sup>3</sup>.

Gypsum plaster or cementitious mortar over the entire thickness of the floor.



Zero distance between annular gap

- Approval ETA-14/0404 of 31/01/2013
- Reaction to fire acc EN 13501-1
- Fire resistance test acc 1366-3
- Installation according to Hilti instructions

\*\*\*) Pipe wall and insulation thickness - Armaflex AF, continued sustained or local sustained (LD>250 mm)

Pipe Ø	Pipe Wall Thickness	Insulation Thickness for $\rho > 2400 \text{ kg/m}^3$	Insulation Thickness for $\rho > 550 \text{ kg/m}^3$	Collar Size
40	6.0	9-20.5	20.5	CFS-C P 63/2.0"-75/2.5"