

Schémas d'applications pour le collier CFS-C P



Applications pour eau potable en cloison/voile rigide épaisseur 100 mm

- Tube Al composite avec isolant type Armaflex en cloison épaisseur 100 mm POT-FW-AL-0052
- Tube Al composite avec isolant type Armaflex en cloison épaisseur 100 mm POT-RW-AL-0063

- Tube plastique PE en cloison POT-FW-PP-0078
- Tube plastique PP en cloison POT-FW-PP-0084-90
- Tube plastique PVC en cloison POT-FW-PP-0091

- Tube plastique PE en voile rigide POT-RW-PP-0093
- Tube plastique PP en voile rigide POT-RW-PP-0099-105
- Tube plastique PVC en voile rigide POT-RW-PP-0106

*) Tous les schémas sont également disponibles sur demande en format DWG pour faciliter l'insertion sur des plans.



CONTENTS

Al composite pipe in a flexible wall

ID

POT-FW-AL-0052

FIRESTOP COLLAR

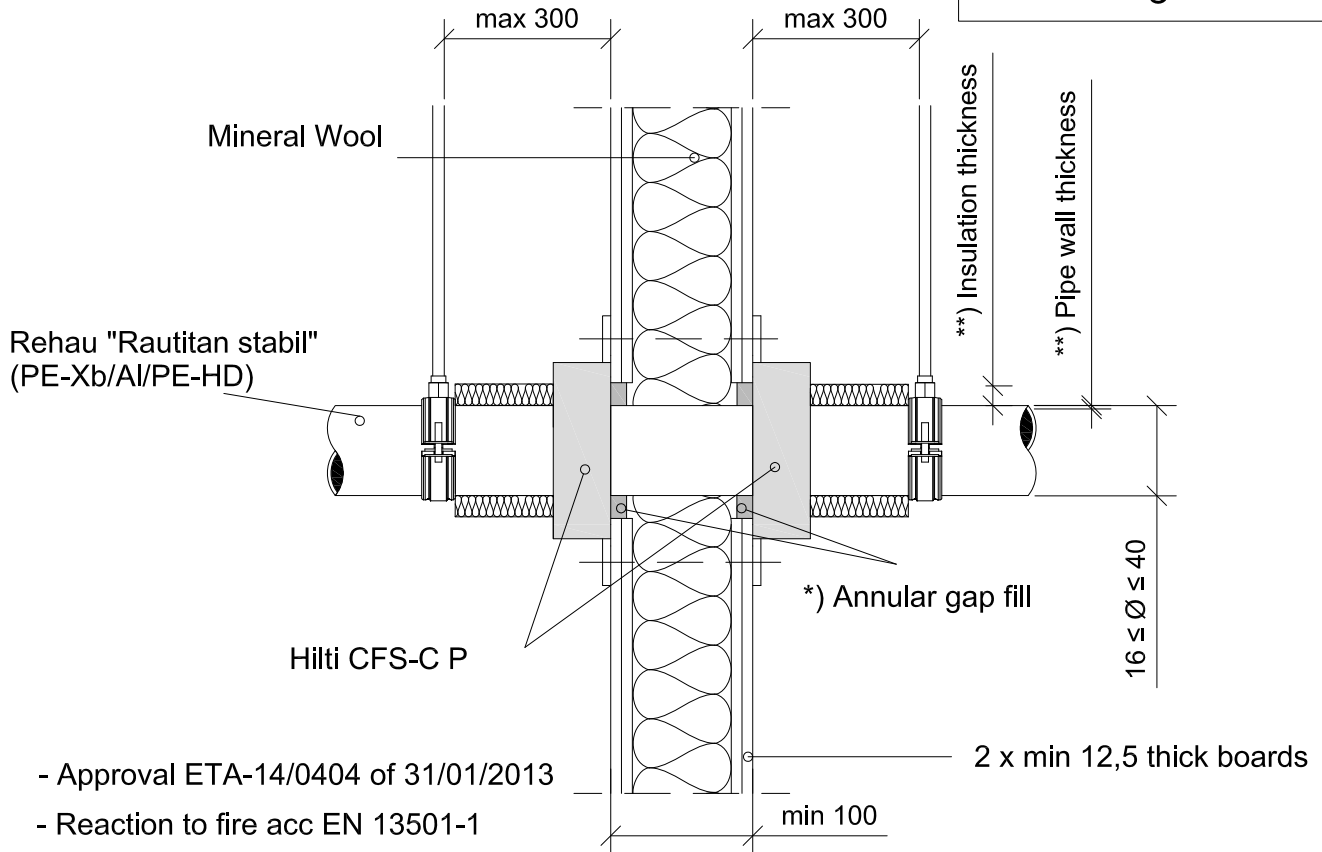
0052_01

REV
00

No scale

All units are in millimetres

Fire Rating EI 120 U/C



- Approval ETA-14/0404 of 31/01/2013
- Reaction to fire acc EN 13501-1
- Fire resistance test acc 1366-3
- Installation according to Hilti instructions

Sound Insulation for flexible wall

$$D_{n,w} = 60 \text{ dB}$$

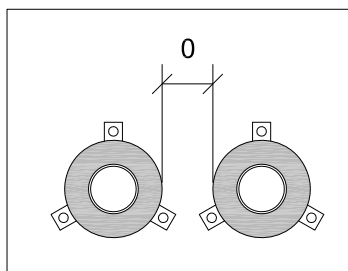
$$R_w = 53 \text{ dB}$$

*) Annular gap fill material

Hilti Firestop Acrylic Sealant CFS-S ACR on both sides with depth > 25 mm from the surface of the wall.

Gypsum plaster over the entire thickness of the wall.

**) Pipe wall and insulation thickness - Armaflex AF, continued sustained



Zero distance between annular gap

Pipe Ø	Pipe Wall Thickness	Insulation Thickness	Collar Size
16	2.6	11.5	CFS-C P 50/1.5"
20	2.9	11.5-13	CFS-C P 63/2"
25	3.7	11.5-13	CFS-C P 63/2"
32	4.7	13	CFS-C P 63/2"
40	6.0	9	CFS-C P 63/2"



CONTENTS

Al composite pipe in a rigid wall

ID

POT-RW-AL-0063

FIRESTOP COLLAR

0063_01

REV

00

No scale

All units are in millimetres

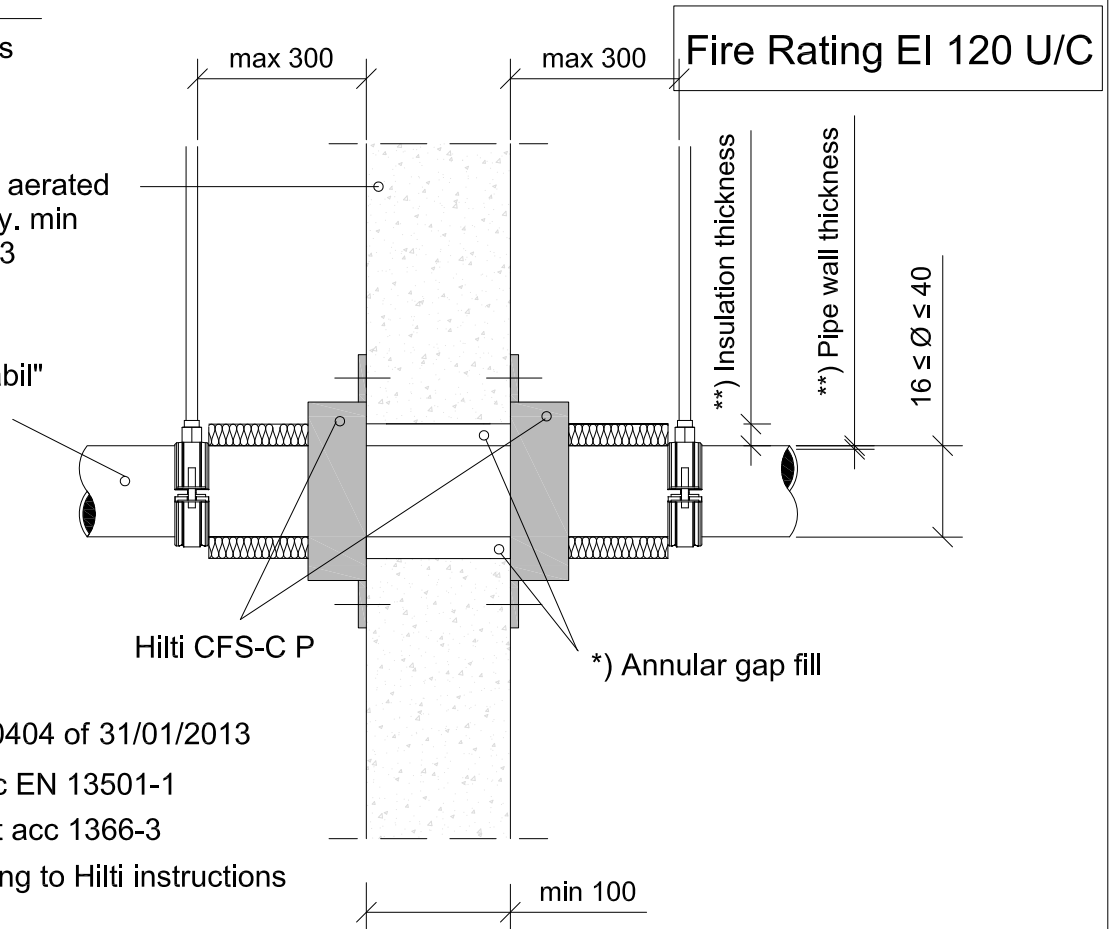
Comprise concrete, aerated concrete or masonry. min density of 450 kg/m³

Rehau "Rautitan stabil" (PE-Xb/Al/PE-HD)

Hilti CFS-C P

*) Annular gap fill

- Approval ETA-14/0404 of 31/01/2013
- Reaction to fire acc EN 13501-1
- Fire resistance test acc 1366-3
- Installation according to Hilti instructions



*) Annular gap fill material

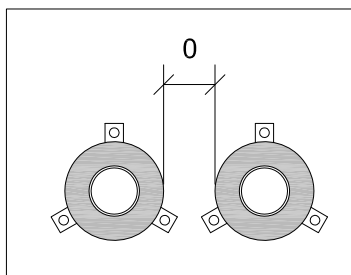
Hilti Firestop Acrylic Sealant CFS-S ACR on both sides with depth > 15 mm from the surface of the wall.

Gypsum plaster or cementitious mortar over the entire thickness of the wall.

Sound Insulation for rigid wall

CFS-C ACR	Cementitious mortar
$D_{n,w} = 58 \text{ dB}$	$D_{n,w} = 59 \text{ dB}$
$R_w = 51 \text{ dB}$	$R_w = 52 \text{ dB}$

**) Pipe wall and insulation thickness - Armaflex AF, continued sustained



Zero distance between annular gap

Pipe Ø	Pipe Wall Thickness	Insulation Thickness	Collar Size
16	2.6	11.5	CFS-C P 50/1.5"
20	2.9	11.5-13	CFS-C P 63/2"
25	3.7	11.5-13	CFS-C P 63/2"
32	4.7	13	CFS-C P 63/2"
40	6.0	9	CFS-C P 63/2"



CONTENTS

Straight metal pipe in a flexible wall

ID

POT-FW-PP-0078

FIRESTOP COLLAR

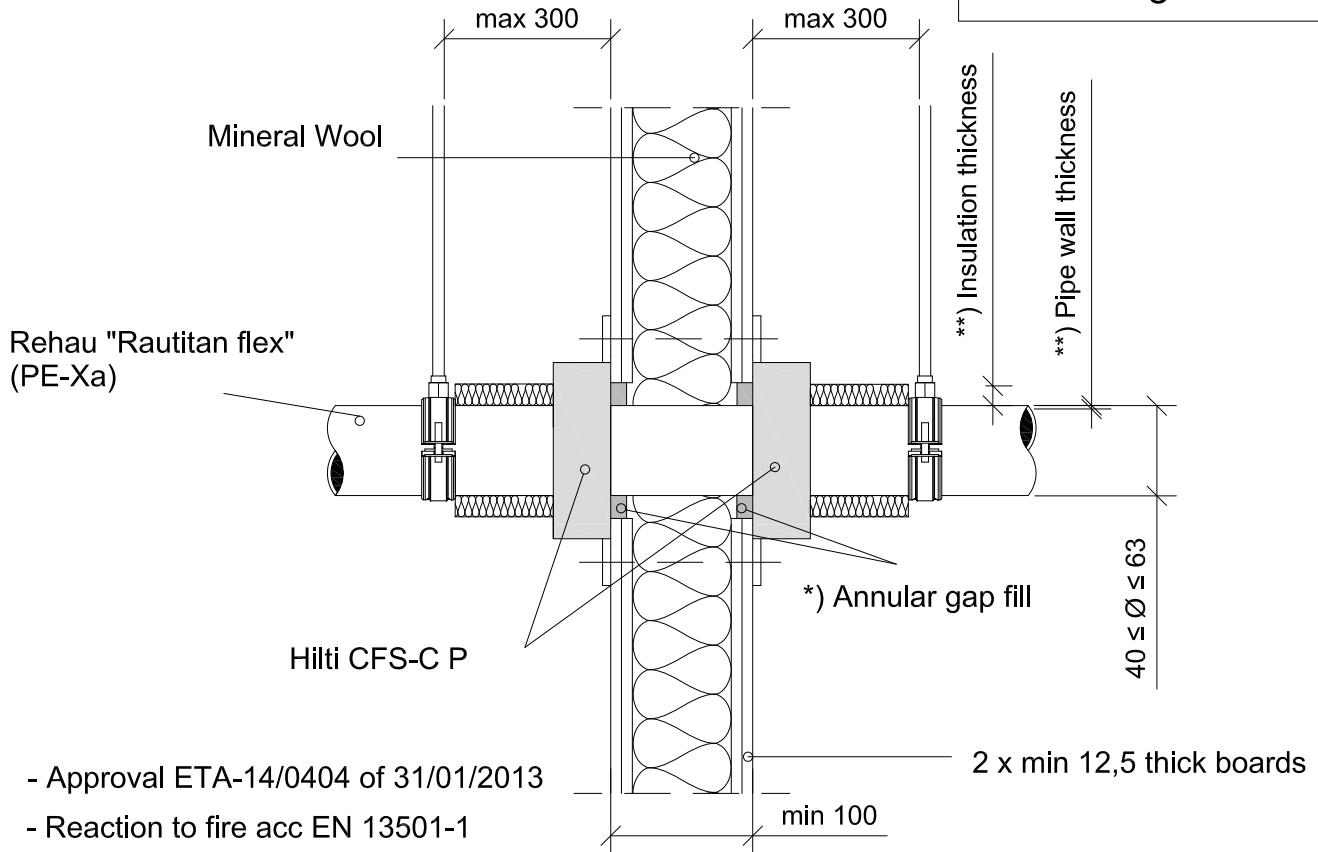
0078_01

REV
00

No scale

All units are in millimetres

Fire Rating EI 120 U/C



- Approval ETA-14/0404 of 31/01/2013
- Reaction to fire acc EN 13501-1
- Fire resistance test acc 1366-3
- Installation according to Hilti instructions

*) Annular gap fill material

Hilti Firestop Acrylic Sealant CFS-S ACR on both sides with depth > 25 mm from the surface of the wall.

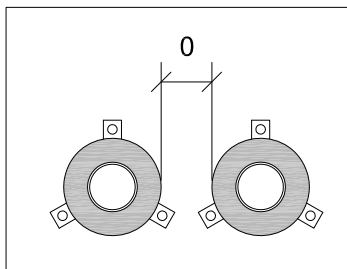
Gypsum plaster or cementitious mortar over the entire thickness of the wall.

Sound Insulation for flexible wall

$$D_{n,w} = 60 \text{ dB}$$

$$R_w = 53 \text{ dB}$$

**) Pipe wall and insulation thickness Armaflex AF - arrangement Local Insulation (length of insulation > 250 mm) or Continued insulation



Zero distance between annular gap

Pipe Ø	Pipe Wall Thickness	Insulation Thickness	Collar Size
40	5.5	9.0	CFS-C P 63/2"
50	6.9	9.0	CFS-C P 63/2"
63	8.6	10	CFS-C P 75/2.5"



CONTENTS

Straight plastic pipe in a flexible wall

ID

POT-FW-PP-0084

FIRESTOP COLLAR

0084_01

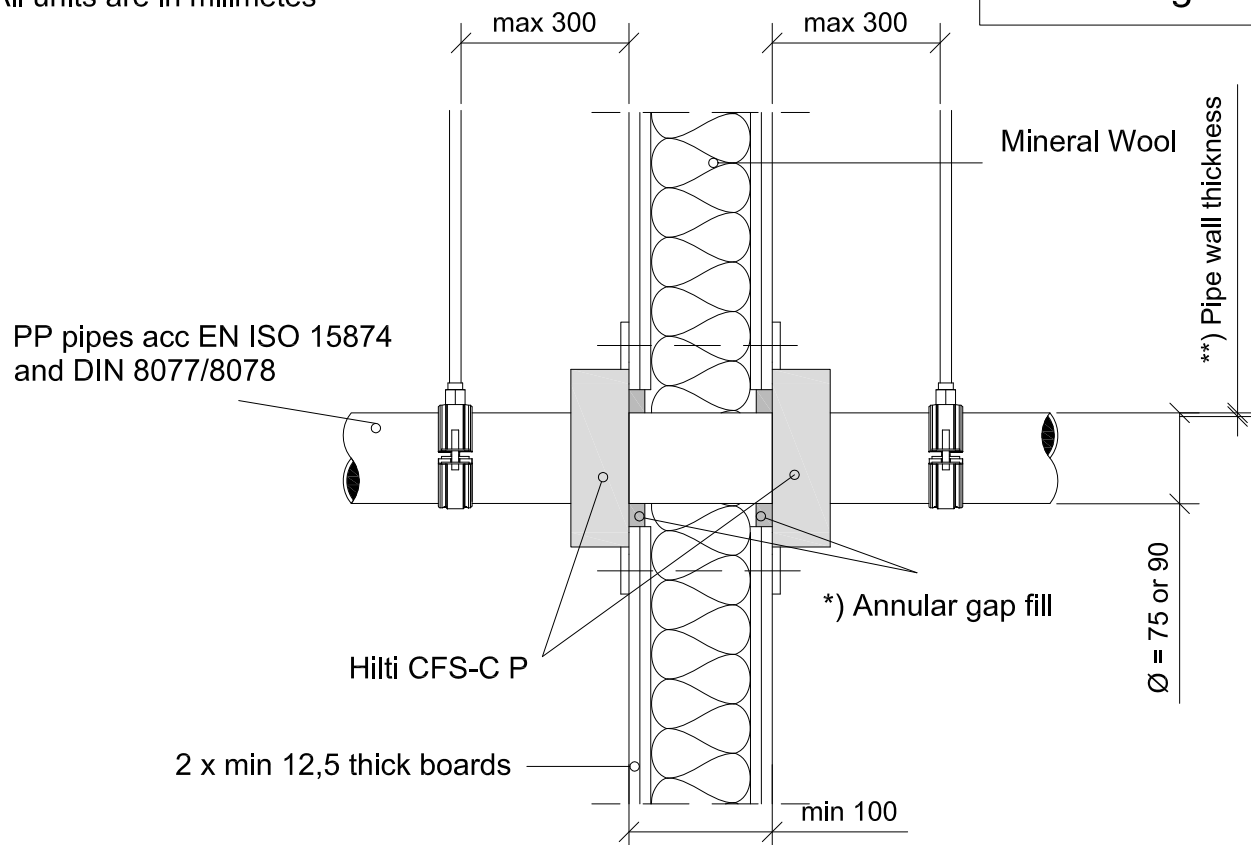
REV

00

No scale

All units are in millimetres

Fire Rating EI 120 U/U



*) Annular gap fill material

Hilti Firestop Acrylic Sealant CFS-S ACR on both sides with depth > 25 mm from the surface of the wall.

Gypsum plaster or cementitious mortar over the entire thickness of the wall.

- Approval ETA-14/0404 of 31/01/2013
- Reaction to fire acc EN 13501-1
- Fire resistance test acc 1366-3
- Installation according to Hilti instructions

Sound Insulation for flexible wall

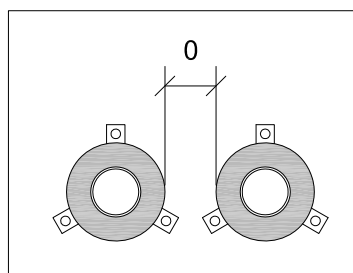
$$D_{n,w} = 60 \text{ dB}$$

$$R_w = 53 \text{ dB}$$

***) Pipe wall thickness

Pipe Ø	Pipe wall thickness	Collar Size
75	6.8-12.5	CFS-C P 75/2.5"
90	8.2-15.0	CFS-C P 90/3"

Maximum thickness of sound decoupling: 9 mm



Zero distance between annular gap



CONTENTS

Straight plastic pipe in a flexible wall

ID

POT-FW-PP-0085

FIRESTOP COLLAR

0085_01

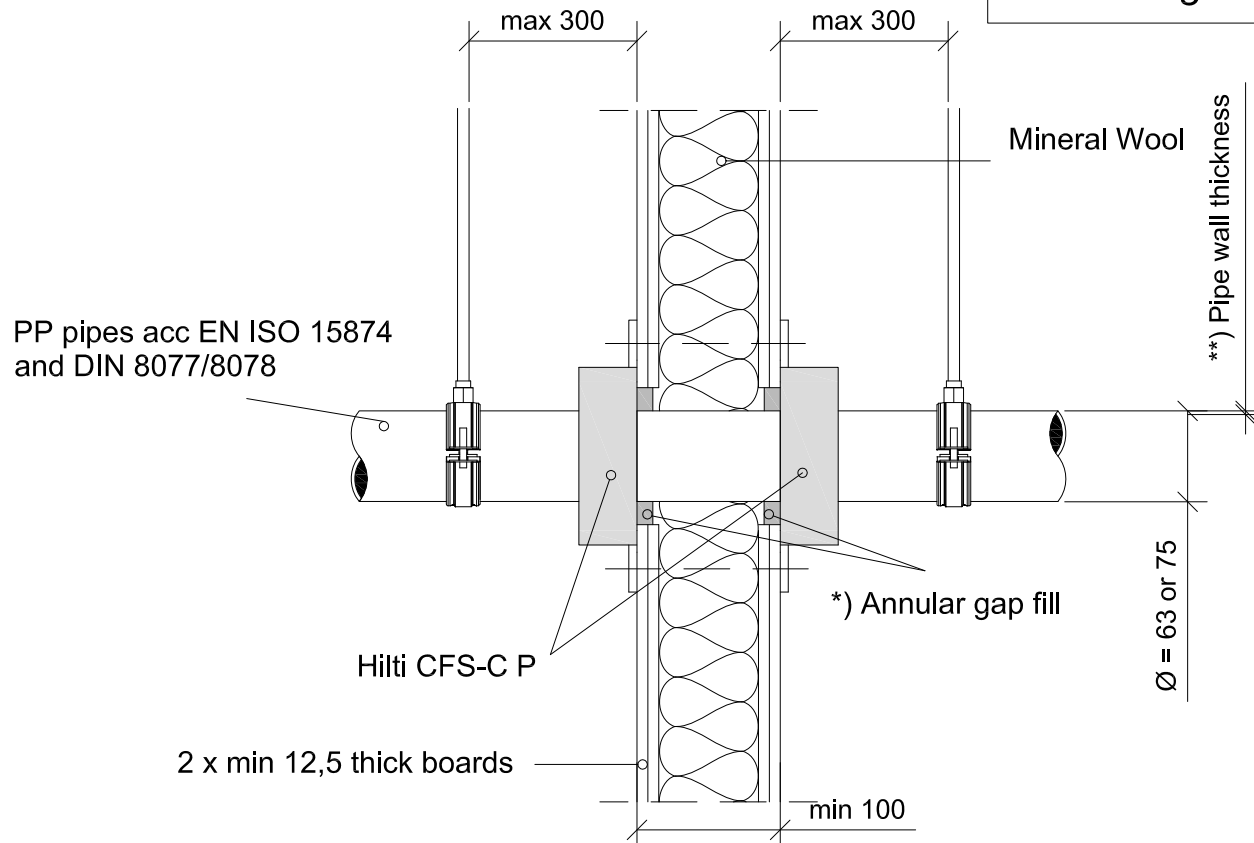
REV

00

No scale

All units are in millimetres

Fire Rating EI 120 U/C



PP pipes acc EN ISO 15874 and DIN 8077/8078

Hilti CFS-C P

2 x min 12,5 thick boards

*) Annular gap fill

Mineral Wool

**) Pipe wall thickness

Ø = 63 or 75

min 100

max 300

max 300

*) Annular gap fill material

Hilti Firestop Acrylic Sealant CFS-S ACR on both sides with depth > 25 mm from the surface of the wall.

Gypsum plaster or cementitious mortar over the entire thickness of the wall.

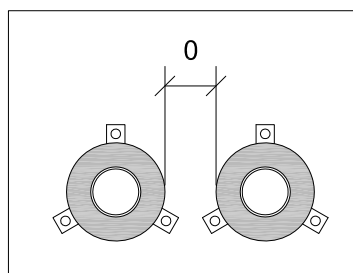
- Approval ETA-14/0404 of 31/01/2013
- Reaction to fire acc EN 13501-1
- Fire resistance test acc 1366-3
- Installation according to Hilti instructions

Sound Insulation for flexible wall

$$D_{n,w} = 60 \text{ dB}$$

$$R_w = 53 \text{ dB}$$

**) Pipe wall thickness



Zero distance between annular gap

Pipe Ø	Pipe wall thickness	Collar Size
63	10.5	CFS-C P 63/2"
75	6.8	CFS-C P 75/2.5"

Maximum thickness of sound decoupling: 9 mm



CONTENTS

Straight plastic pipe in a flexible wall

ID

POT-FW-PP-0086

FIRESTOP COLLAR

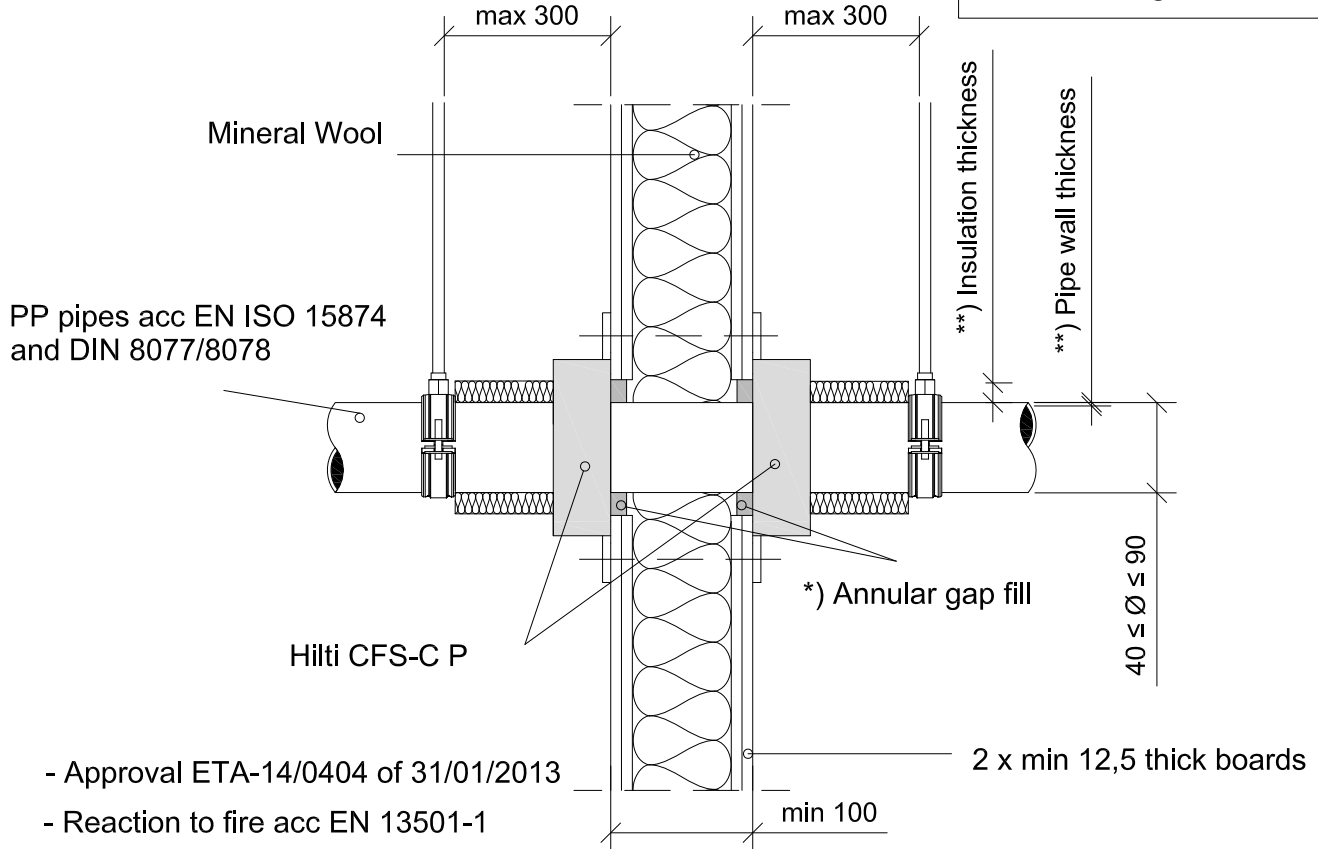
0086_01

REV
00

No scale

All units are in millimetres

Fire Rating EI 120 U/C



- Approval ETA-14/0404 of 31/01/2013
- Reaction to fire acc EN 13501-1
- Fire resistance test acc 1366-3
- Installation according to Hilti instructions

*) Annular gap fill material

Hilti Firestop Acrylic Sealant CFS-S ACR on both sides with depth > 25 mm from the surface of the wall.

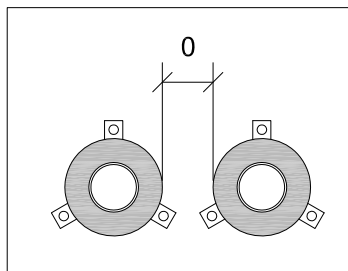
Gypsum plaster or cementious mortar over the entire thickness of the wall.

Sound Insulation for flexible wall

$$D_{n,w} = 60 \text{ dB}$$

$$R_w = 53 \text{ dB}$$

** Pipe wall and insulation thickness (Armaflex AF) - arrangement Local Insulation (length of insulation > 250 mm) or Continued insulation



Zero distance between annular gap

Pipe Ø	Pipe Wall Thickness	Insulation Thickness	Collar Size
40	3.7-5.5	9.0	CFS-C P 50/1.5"
50	4.6-6.9	9.0	CFS-C P 50/1.5"
75	6.8-10.3	9.0	CFS-C P 75/2.5"
90	10.0-15.1	10	CFS-C P 90/3"



CONTENTS

Straight plastic pipe in a flexible wall

ID

POT-FW-PP-0087

FIRESTOP COLLAR

0087_01

REV

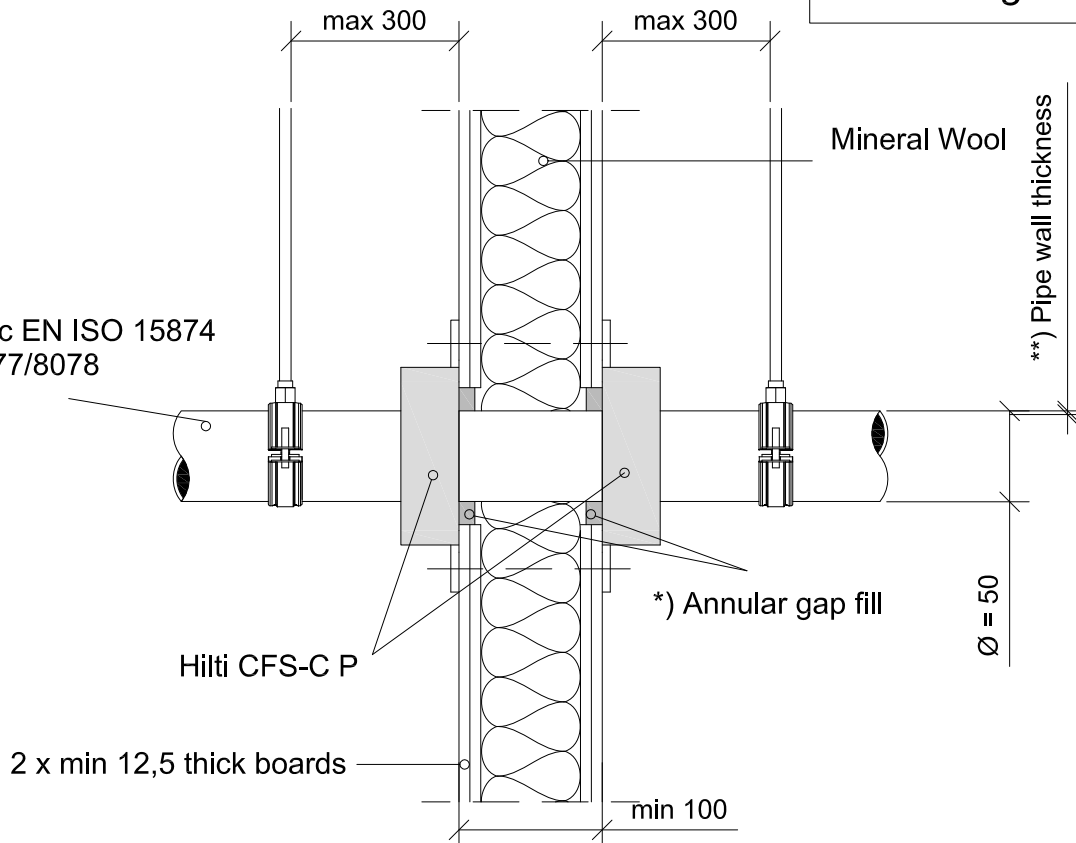
00

No scale

All units are in millimetres

Fire Rating EI 90 U/U

PP pipes acc EN ISO 15874 and DIN 8077/8078



*) Annular gap fill material

Hilti Firestop Acrylic Sealant CFS-S ACR on both sides with depth > 25 mm from the surface of the wall.

Gypsum plaster or cementitious mortar over the entire thickness of the wall.

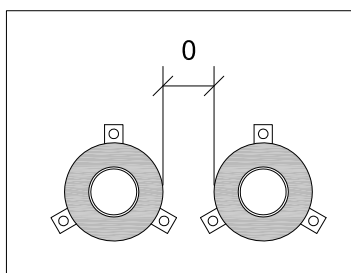
- Approval ETA-14/0404 of 31/01/2013
- Reaction to fire acc EN 13501-1
- Fire resistance test acc 1366-3
- Installation according to Hilti instructions

Sound Insulation for flexible wall

$$D_{n,w} = 60 \text{ dB}$$

$$R_w = 53 \text{ dB}$$

**) Pipe wall thickness



Zero distance between annular gap

Pipe Ø	Pipe wall thickness	Collar Size
50	1.8-2.9	CFS-C P 50/1.5"

Maximum thickness of sound decoupling: 9 mm



CONTENTS

Straight plastic pipe in a flexible wall

ID

POT-FW-PP-0088

FIRESTOP COLLAR

0088_01

REV

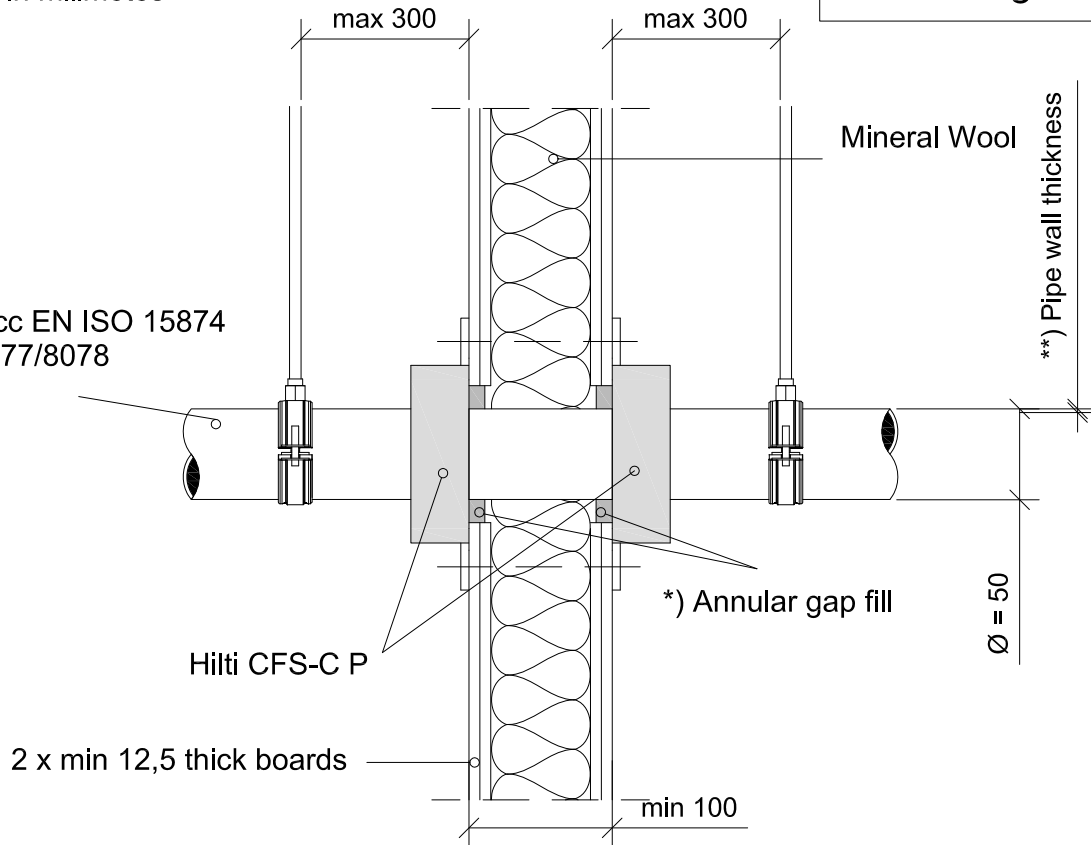
00

No scale

All units are in millimetres

Fire Rating EI 90 U/C

PP pipes acc EN ISO 15874 and DIN 8077/8078



- Approval ETA-14/0404 of 31/01/2013
- Reaction to fire acc EN 13501-1
- Fire resistance test acc 1366-3
- Installation according to Hilti instructions

*) Annular gap fill material

Hilti Firestop Acrylic Sealant CFS-S ACR on both sides with depth > 25 mm from the surface of the wall.

Gypsum plaster or cementitious mortar over the entire thickness of the wall.

Sound Insulation for flexible wall

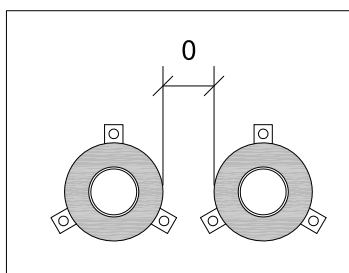
$$D_{n,w} = 60 \text{ dB}$$

$$R_w = 53 \text{ dB}$$

**) Pipe wall thickness

Pipe Ø	Pipe wall thickness	Collar Size
50	4.6-8.3	CFS-C P 50/1.5"

Maximum thickness of sound decoupling: 9 mm



Zero distance between annular gap



CONTENTS

Straight plastic pipe in a flexible wall

ID

POT-FW-PP-0089

FIRESTOP COLLAR

0089_01

REV

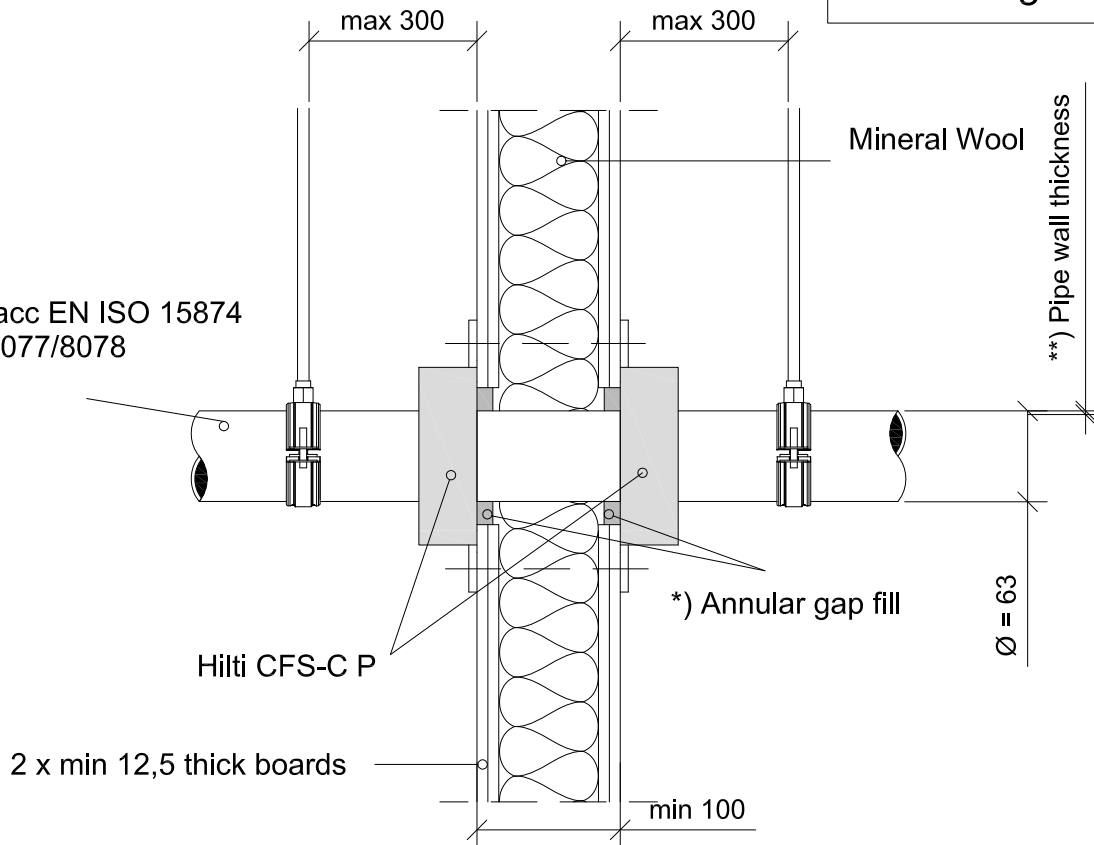
00

No scale

All units are in millimetres

Fire Rating EI 60 U/U

PP pipes acc EN ISO 15874 and DIN 8077/8078



*) Annular gap fill material

Hilti Firestop Acrylic Sealant CFS-S ACR on both sides with depth > 25 mm from the surface of the wall.

Gypsum plaster or cementitious mortar over the entire thickness of the wall.

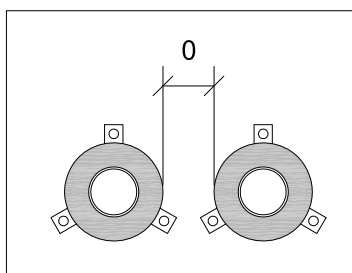
- Approval ETA-14/0404 of 31/01/2013
- Reaction to fire acc EN 13501-1
- Fire resistance test acc 1366-3
- Installation according to Hilti instructions

Sound Insulation for flexible wall

$$D_{n,w} = 60 \text{ dB}$$

$$R_w = 53 \text{ dB}$$

***) Pipe wall thickness



Zero distance between annular gap

Pipe Ø	Pipe wall thickness	Collar Size
63	1.8-5.8	CFS-C P 63/2"

Maximum thickness of sound decoupling: 9 mm



CONTENTS

Straight plastic pipe in a flexible wall

ID

POT-FW-PP-0090

FIRESTOP COLLAR

0090_01

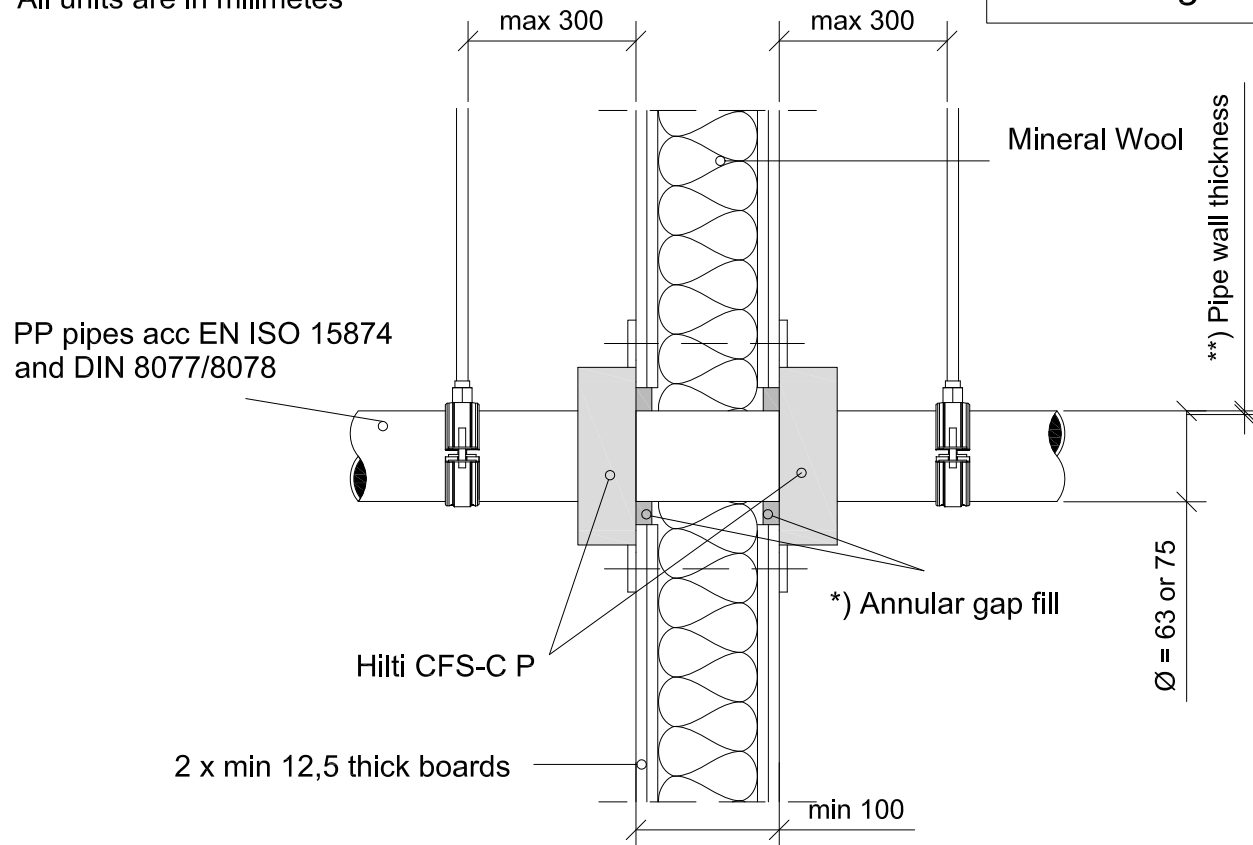
REV

00

No scale

All units are in millimetres

Fire Rating EI 60 U/C



PP pipes acc EN ISO 15874 and DIN 8077/8078

Hilti CFS-C P

2 x min 12,5 thick boards

*) Annular gap fill

Mineral Wool

**) Pipe wall thickness

Ø = 63 or 75

min 100

max 300

max 300

*) Annular gap fill material

Hilti Firestop Acrylic Sealant CFS-S ACR on both sides with depth > 25 mm from the surface of the wall.

Gypsum plaster or cementitious mortar over the entire thickness of the wall.

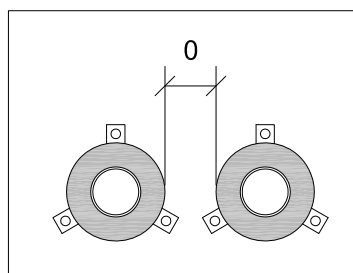
- Approval ETA-14/0404 of 31/01/2013
- Reaction to fire acc EN 13501-1
- Fire resistance test acc 1366-3
- Installation according to Hilti instructions

Sound Insulation for flexible wall

$$D_{n,w} = 60 \text{ dB}$$

$$R_w = 53 \text{ dB}$$

**) Pipe wall thickness



Zero distance between annular gap

Pipe Ø	Pipe wall thickness	Collar Size
63	5.8-10.5	CFS-C P 63/2"
75	1.9-6.8	CFS-C P 75/2.5"

Maximum thickness of sound decoupling: 9 mm



CONTENTS

Straight plastic pipe in a flexible wall

ID

POT-FW-PP-0091

FIRESTOP COLLAR

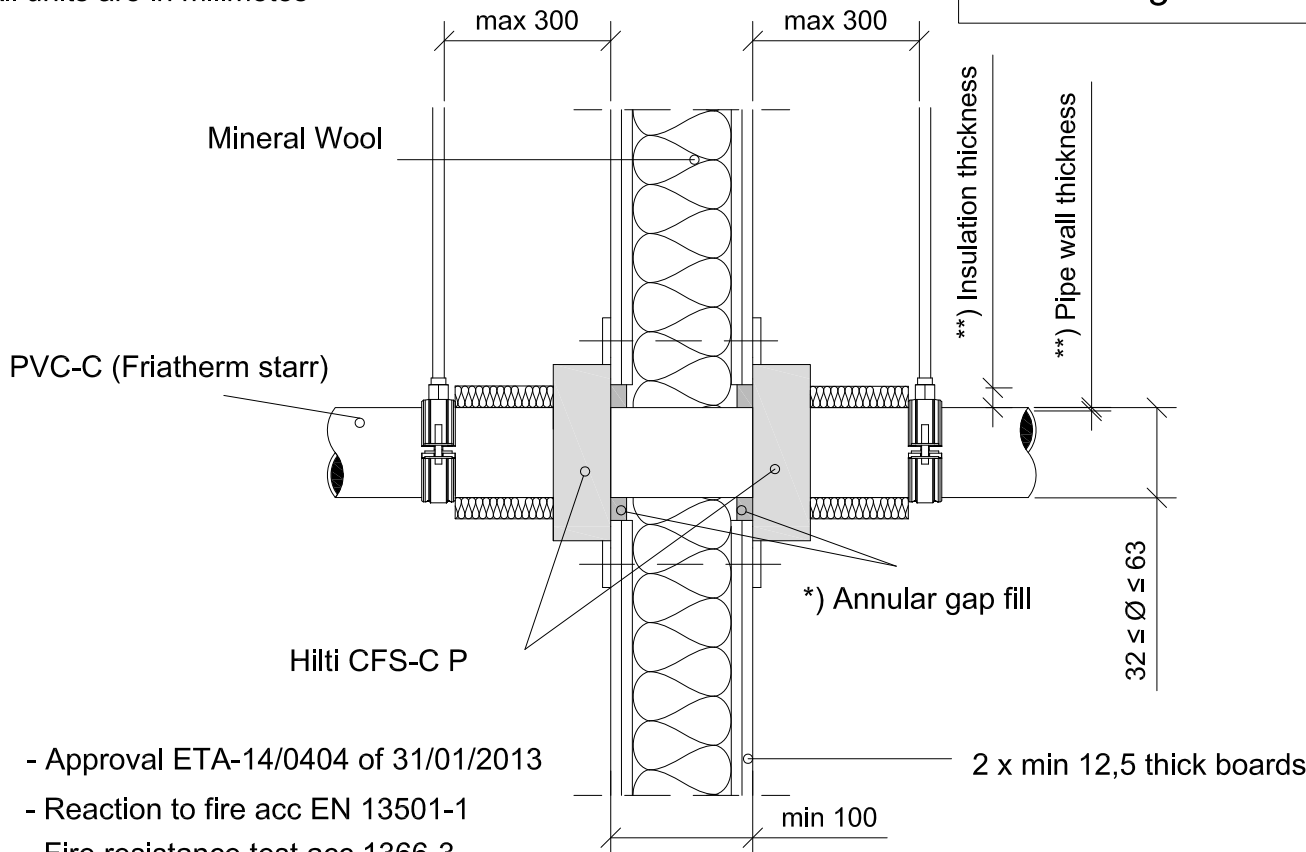
0091_01

REV
00

No scale

All units are in millimetres

Fire Rating EI 120 U/C



- Approval ETA-14/0404 of 31/01/2013
- Reaction to fire acc EN 13501-1
- Fire resistance test acc 1366-3
- Installation according to Hilti instructions

Sound Insulation for flexible wall

*) Annular gap fill material

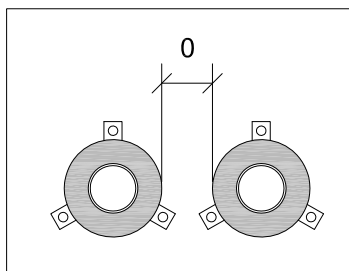
Hilti Firestop Acrylic Sealant CFS-S ACR on both sides with depth > 25 mm from the surface of the wall.

Gypsum plaster or cementitious mortar over the entire thickness of the wall.

$$D_{n,w} = 60 \text{ dB}$$

$$R_w = 53 \text{ dB}$$

**) Pipe wall and insulation thickness (Armaflex AF) Armaflex AF - arrangement Local Insulation (length of insulation > 200 mm) or Continued insulation



Zero distance between annular gap

Pipe Ø	Pipe Wall Thickness	Insulation Thickness	Collar Size
32	3.6	9.0	CFS-C P 50/1.5"
40	4.5	9.0	CFS-C P 63/2"
50	5.6	9.0	CFS-C P 75/2.5"
63	7.1	10	CFS-C P 90/3"



CONTENTS

Straight plastic pipe in a rigid wall

ID

POT-RW-PP-0093

FIRESTOP COLLAR

0093_01

REV

00

No scale

All units are in millimetres

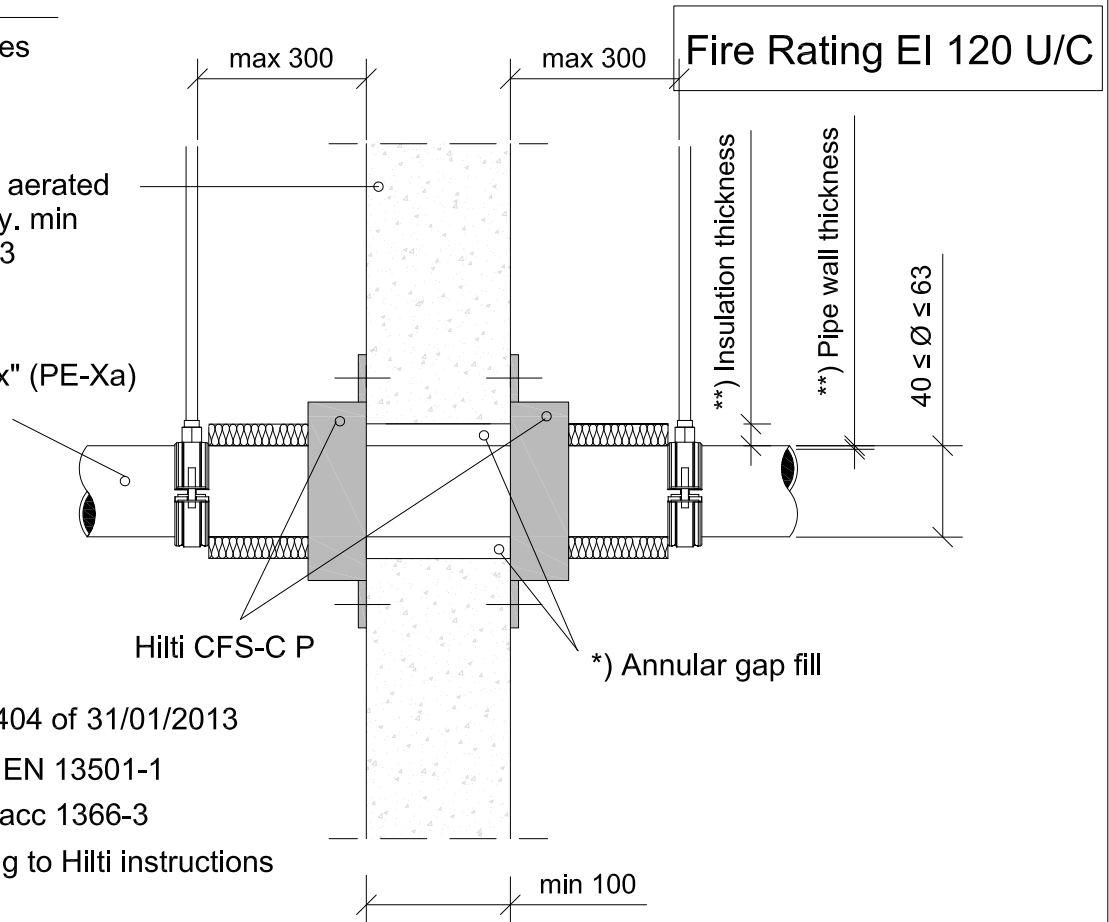
Comprise concrete, aerated concrete or masonry. min density of 450 kg/m³

Rehau "Rautitan flex" (PE-Xa)

Hilti CFS-C P

*) Annular gap fill

- Approval ETA-14/0404 of 31/01/2013
- Reaction to fire acc EN 13501-1
- Fire resistance test acc 1366-3
- Installation according to Hilti instructions



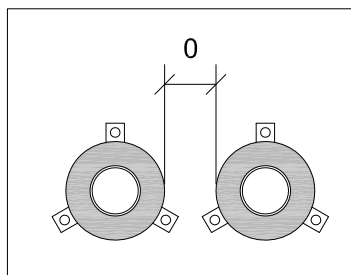
*) Annular gap fill material

Hilti Firestop Acrylic Sealant CFS-S ACR on both sides with depth > 15 mm from the surface of the wall.

Gypsum plaster or cementitious mortar over the entire thickness of the wall.

Sound Insulation for rigid wall

CFS-C ACR	Cementitious mortar
$D_{n,w} = 58$ dB	$D_{n,w} = 59$ dB
$R_w = 51$ dB	$R_w = 52$ dB



Zero distance between annular gap

**) Pipe wall and insulation thickness Armaflex AF - arrangement Local Insulation (length of insulation > 250 mm) or Continued insulation

Pipe Ø	Pipe Wall Thickness	Insulation Thickness	Collar Size
40	5.5	9.0	CFS-C P 63/2"
50	6.9	9.0	CFS-C P 63/2"
63	8.6	10	CFS-C P 75/2.5"



CONTENTS

Straight plastic pipe in a rigid wall

ID

POT-RW-PP-0099

FIRESTOP COLLAR

0099_01

REV
00

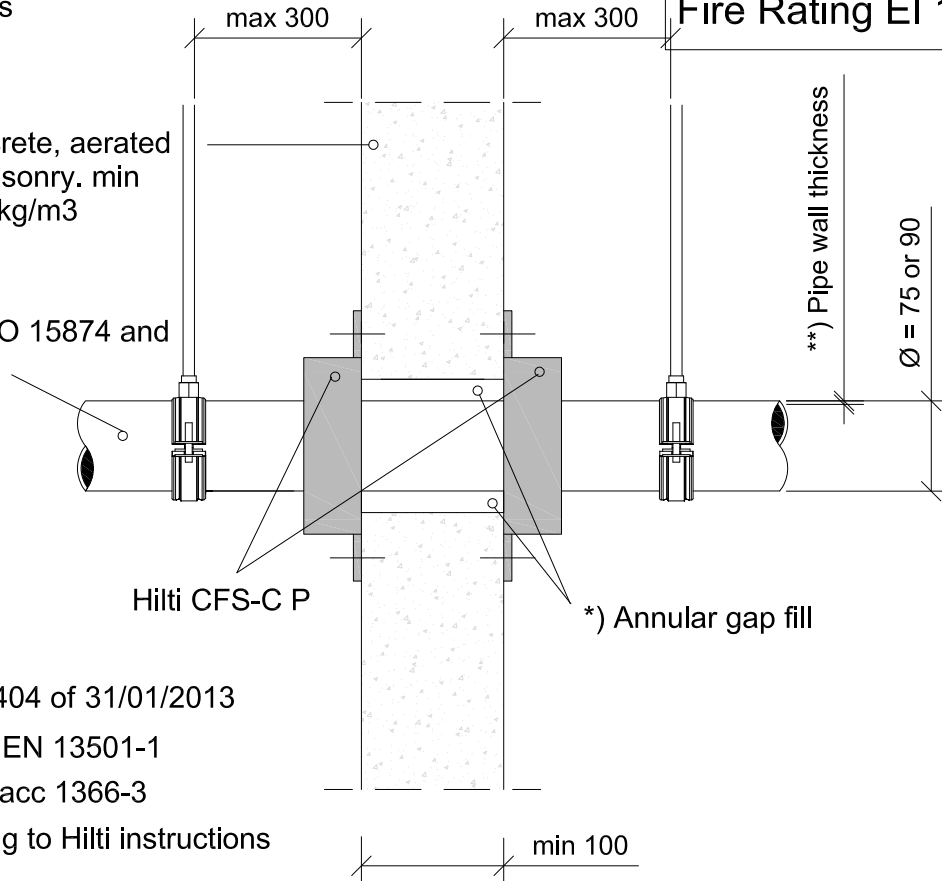
No scale

All units are in millimetres

Fire Rating EI 120 U/U

Comprise concrete, aerated concrete or masonry. min density of 450 kg/m³

PP pipes acc EN ISO 15874 and DIN 8077/8078



Hilti CFS-C P

*) Annular gap fill

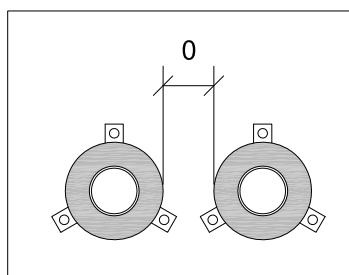
- Approval ETA-14/0404 of 31/01/2013
- Reaction to fire acc EN 13501-1
- Fire resistance test acc 1366-3
- Installation according to Hilti instructions

*) Annular gap fill material

Hilti Firestop Acrylic Sealant CFS-S ACR on both sides with depth > 25 mm from the surface of the wall.
Gypsum plaster or cementitious mortar over the entire thickness of the wall.

Sound Insulation for rigid wall

CFS-C ACR	Cementitious mortar
$D_{n,w} = 58 \text{ dB}$	$D_{n,w} = 59 \text{ dB}$
$R_w = 51 \text{ dB}$	$R_w = 52 \text{ dB}$



Zero distance between annular gap

**) Pipe wall thickness

Pipe Ø	Pipe wall thickness	Collar Size
75	6.8-12.5	CFS-C P 75/2.5"
90	8.2-15.0	CFS-C P 90/3"

Maximum thickness of sound decoupling: 9 mm



CONTENTS

Straight plastic pipe in a rigid wall

ID

POT-RW-PP-0100

FIRESTOP COLLAR

0100_01

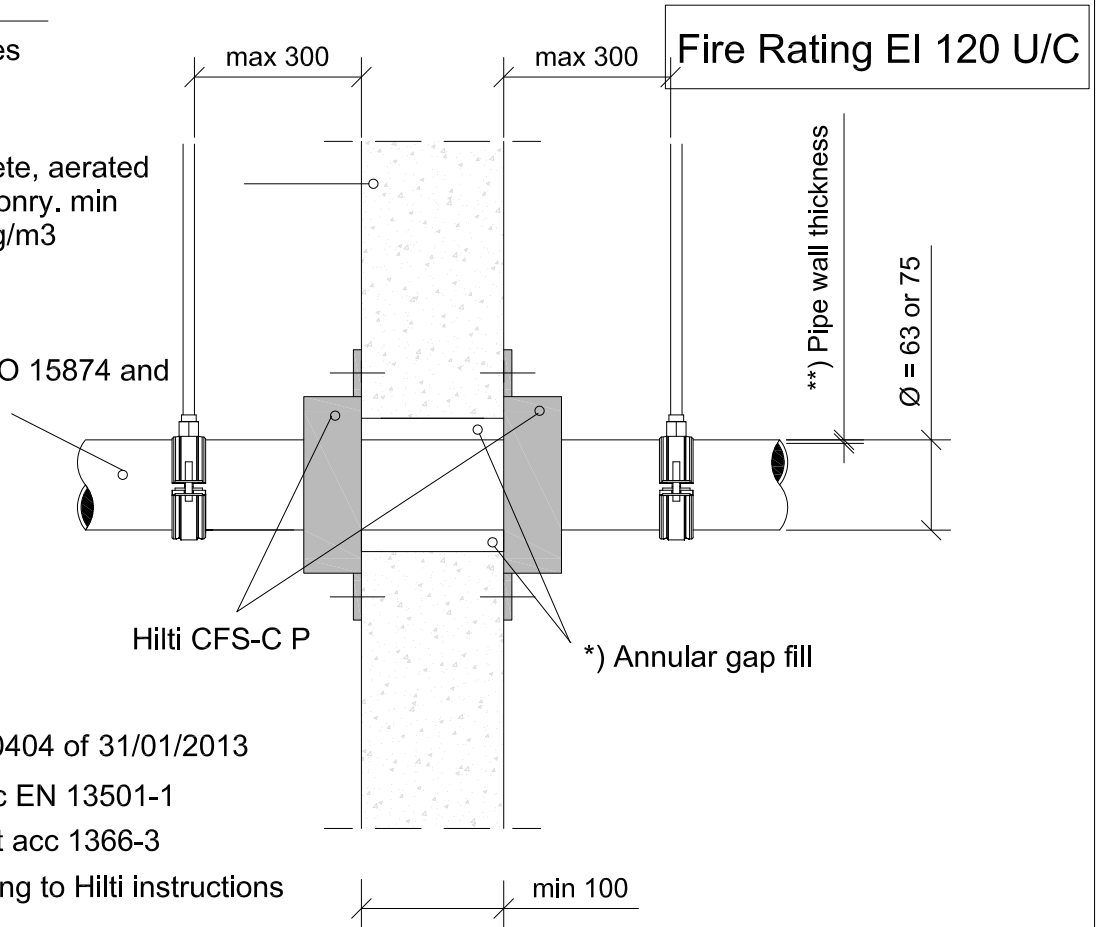
REV
00

No scale

All units are in millimetres

Comprise concrete, aerated concrete or masonry. min density of 450 kg/m³

PP pipes acc EN ISO 15874 and DIN 8077/8078



- Approval ETA-14/0404 of 31/01/2013
- Reaction to fire acc EN 13501-1
- Fire resistance test acc 1366-3
- Installation according to Hilti instructions

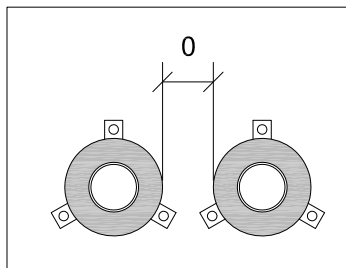
*) Annular gap fill material

Hilti Firestop Acrylic Sealant CFS-S ACR on both sides with depth > 25 mm from the surface of the wall.

Gypsum plaster or cementitious mortar over the entire thickness of the wall.

Sound Insulation for rigid wall

CFS-C ACR	Cementitious mortar
$D_{n,w} = 58$ dB	$D_{n,w} = 59$ dB
$R_w = 51$ dB	$R_w = 52$ dB



Zero distance between annular gap

***) Pipe wall thickness

Pipe Ø	Pipe wall thickness	Collar Size
63	10.5	CFS-C P 63/2"
75	6.8	CFS-C P 75/2.5"

Maximum thickness of sound decoupling: 9 mm



CONTENTS

Straight plastic pipe in a rigid wall

ID

POT-RW-PP-0101

FIRESTOP COLLAR

0101_01

REV

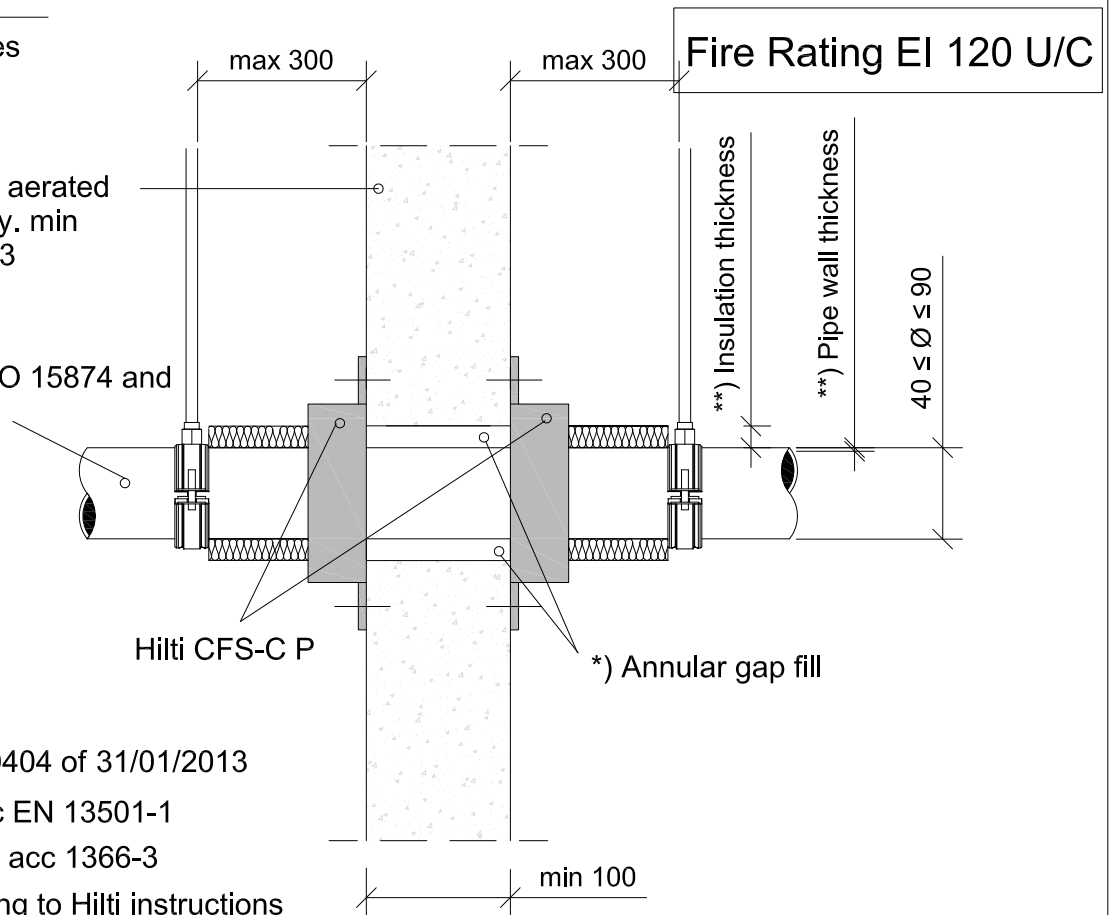
00

No scale

All units are in millimetres

Comprise concrete, aerated concrete or masonry. min density of 450 kg/m³

PP pipes acc EN ISO 15874 and DIN 8077/8078



- Approval ETA-14/0404 of 31/01/2013
- Reaction to fire acc EN 13501-1
- Fire resistance test acc 1366-3
- Installation according to Hilti instructions

*) Annular gap fill material

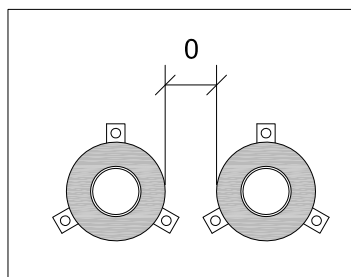
Hilti Firestop Acrylic Sealant CFS-S ACR on both sides with depth > 25 mm from the surface of the wall.

Gypsum plaster or cementitious mortar over the entire thickness of the wall.

Sound Insulation for rigid wall

CFS-C ACR	Cementitious mortar
$D_{n,w} = 58$ dB	$D_{n,w} = 59$ dB
$R_w = 51$ dB	$R_w = 52$ dB

***) Pipe wall and insulation thickness (Armaflex AF) arrangement Local Insulation (length of insulation > 250 mm) or Continued insulation



Zero distance between annular gap

Pipe Ø	Pipe Wall Thickness	Insulation Thickness	Collar Size
40	3.7-5.5	9.0	CFS-C P 50/1.5"
50	4.6-6.9	9.0	CFS-C P 50/1.5"
75	6.8-10.3	9.0	CFS-C P 75/2.5"
90	10.0-15.1	10	CFS-C P 90/3"



CONTENTS

Straight plastic pipe in a rigid wall

ID

POT-RW-PP-0102

FIRESTOP COLLAR

0102_01

REV
00

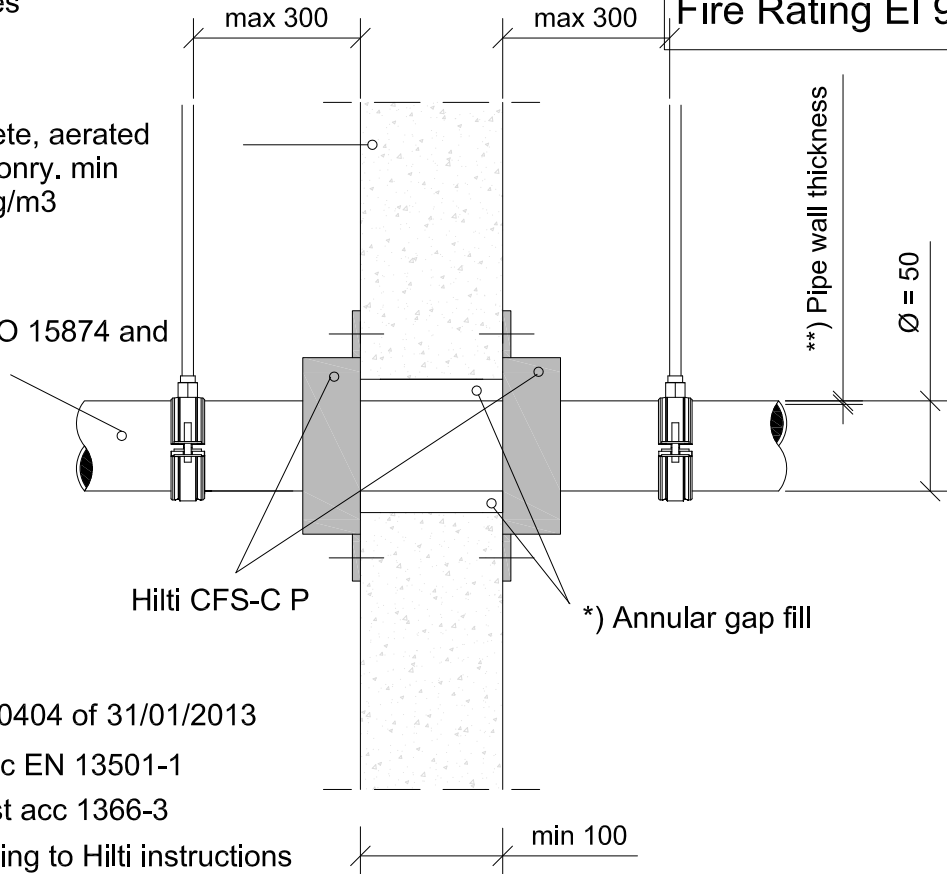
No scale

All units are in millimetres

Fire Rating EI 90 U/C

Comprise concrete, aerated concrete or masonry. min density of 450 kg/m³

PP pipes acc EN ISO 15874 and DIN 8077/8078



- Approval ETA-14/0404 of 31/01/2013
- Reaction to fire acc EN 13501-1
- Fire resistance test acc 1366-3
- Installation according to Hilti instructions

*) Annular gap fill material

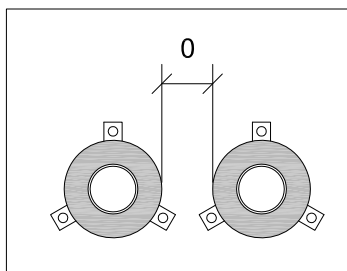
Hilti Firestop Acrylic Sealant CFS-S ACR on both sides with depth > 25 mm from the surface of the wall.

Gypsum plaster or cementitious mortar over the entire thickness of the wall.

Sound Insulation for rigid wall

CFS-C ACR	Cementitious mortar
$D_{n,w} = 58 \text{ dB}$	$D_{n,w} = 59 \text{ dB}$
$R_w = 51 \text{ dB}$	$R_w = 52 \text{ dB}$

***) Pipe wall thickness



Zero distance between annular gap

Pipe Ø	Pipe wall thickness	Collar Size
50	4.6-8.3	CFS-C P 50/1.5"

Maximum thickness of sound decoupling: 9 mm



CONTENTS

Straight plastic pipe in a rigid wall

ID

POT-RW-PP-0103

FIRESTOP COLLAR

0103_01

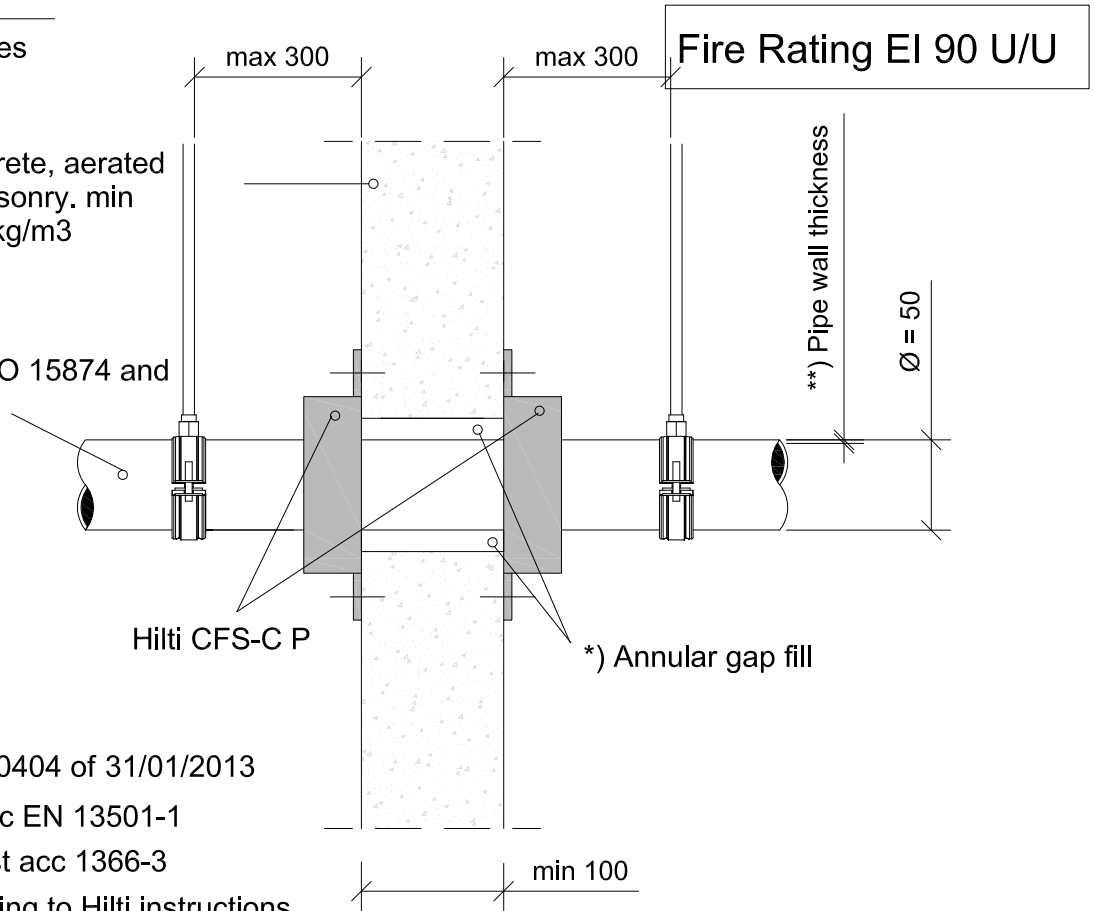
REV
00

No scale

All units are in millimetres

Comprise concrete, aerated concrete or masonry, min density of 450 kg/m³

PP pipes acc EN ISO 15874 and DIN 8077/8078



- Approval ETA-14/0404 of 31/01/2013
- Reaction to fire acc EN 13501-1
- Fire resistance test acc 1366-3
- Installation according to Hilti instructions

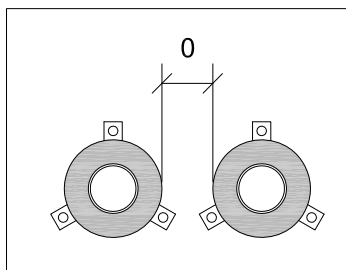
*) Annular gap fill material

Hilti Firestop Acrylic Sealant CFS-S ACR on both sides with depth > 25 mm from the surface of the wall.

Gypsum plaster or cementitious mortar over the entire thickness of the wall.

Sound Insulation for rigid wall

CFS-C ACR	Cementitious mortar
$D_{n,w} = 58$ dB	$D_{n,w} = 59$ dB
$R_w = 51$ dB	$R_w = 52$ dB



Zero distance between annular gap

***) Pipe wall thickness

Pipe Ø	Pipe wall thickness	Collar Size
50	1.8-2.9	CFS-C P 50/1.5"

Maximum thickness of sound decoupling: 9 mm



CONTENTS

Straight plastic pipe in a rigid wall

ID

POT-RW-PP-0104

FIRESTOP COLLAR

0104_01

REV
00

No scale

All units are in millimetres

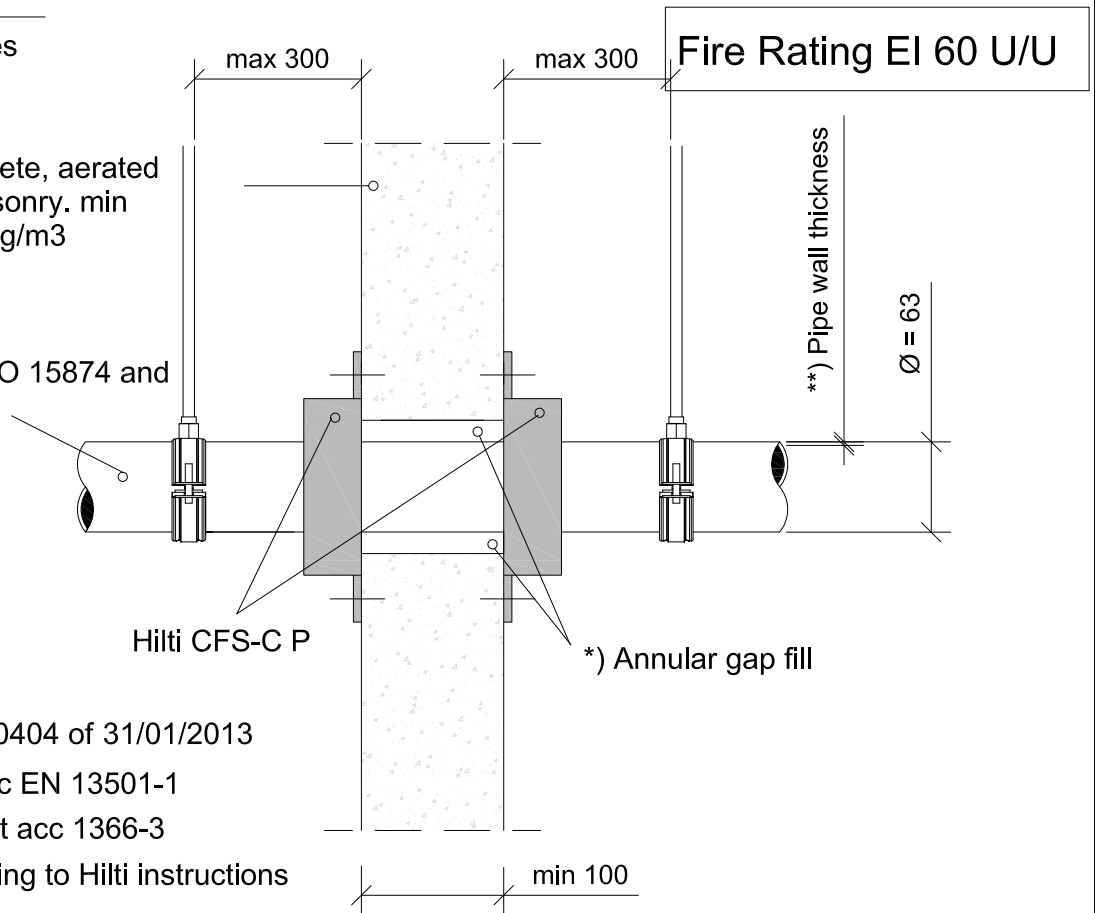
Comprise concrete, aerated concrete or masonry. min density of 450 kg/m³

PP pipes acc EN ISO 15874 and DIN 8077/8078

Hilti CFS-C P

*) Annular gap fill

- Approval ETA-14/0404 of 31/01/2013
- Reaction to fire acc EN 13501-1
- Fire resistance test acc 1366-3
- Installation according to Hilti instructions



*) Annular gap fill material

Hilti Firestop Acrylic Sealant CFS-S ACR on both sides with depth > 25 mm from the surface of the wall.

Gypsum plaster or cementitious mortar over the entire thickness of the wall.

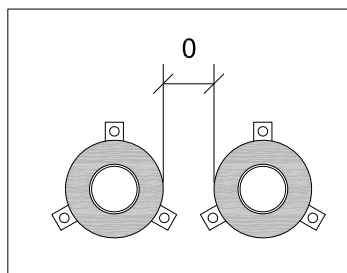
Sound Insulation for rigid wall

CFS-C ACR	Cementitious mortar
$D_{n,w} = 58$ dB	$D_{n,w} = 59$ dB
$R_w = 51$ dB	$R_w = 52$ dB

***) Pipe wall thickness

Pipe Ø	Pipe wall thickness	Collar Size
63	1.8-5.8	CFS-C P 63/2"

Maximum thickness of sound decoupling: 9 mm



Zero distance between annular gap



CONTENTS

Straight plastic pipe in a rigid wall

ID

POT-RW-PP-0105

FIRESTOP COLLAR

0105_01

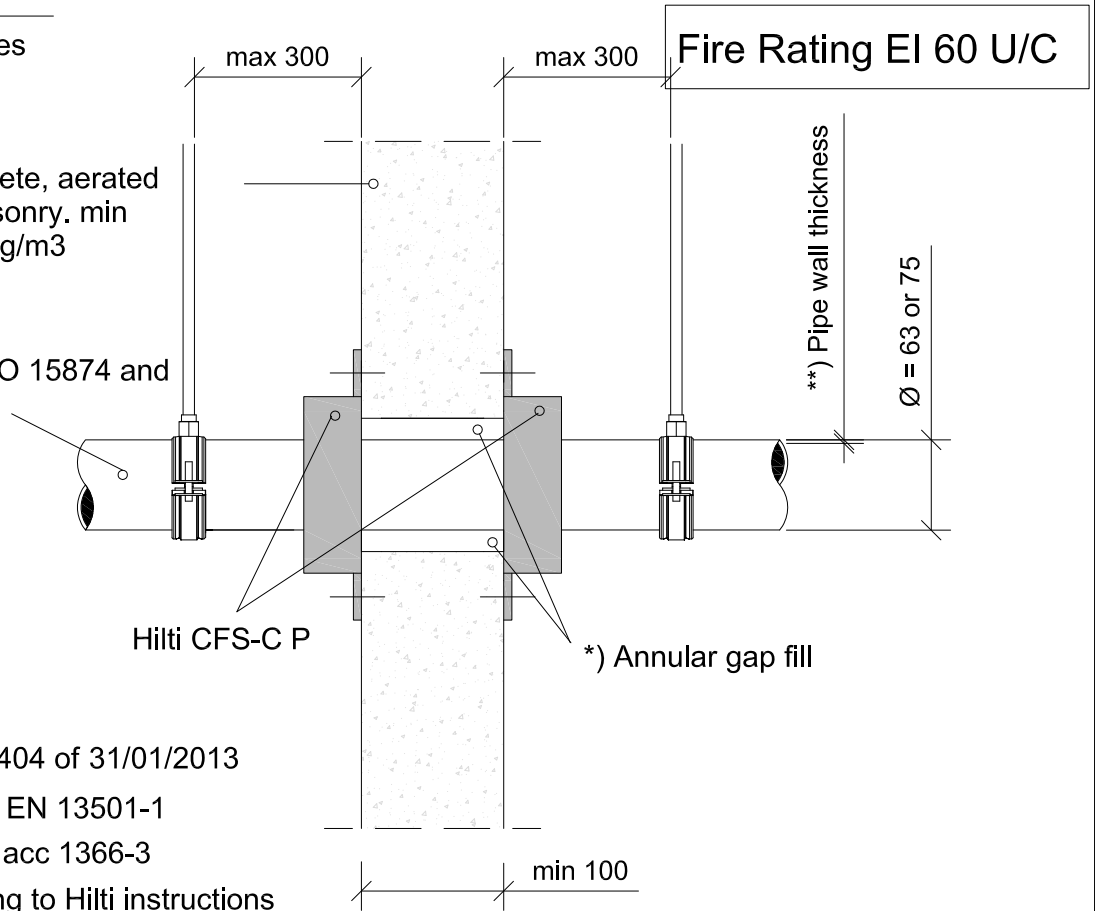
REV
00

No scale

All units are in millimetres

Comprise concrete, aerated concrete or masonry. min density of 450 kg/m³

PP pipes acc EN ISO 15874 and DIN 8077/8078



- Approval ETA-14/0404 of 31/01/2013
- Reaction to fire acc EN 13501-1
- Fire resistance test acc 1366-3
- Installation according to Hilti instructions

*) Annular gap fill material

Hilti Firestop Acrylic Sealant CFS-S ACR on both sides with depth > 25 mm from the surface of the wall.

Gypsum plaster or cementitious mortar over the entire thickness of the wall.

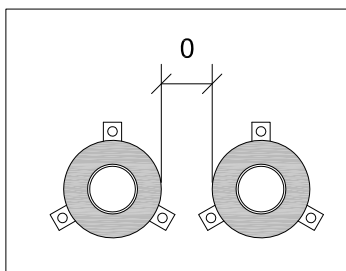
Sound Insulation for rigid wall

CFS-C ACR	Cementitious mortar
$D_{n,w} = 58$ dB	$D_{n,w} = 59$ dB
$R_w = 51$ dB	$R_w = 52$ dB

**) Pipe wall thickness

Pipe Ø	Pipe wall thickness	Collar Size
63	5.8-10.5	CFS-C P 63/2"
75	1.9-6.8	CFS-C P 75/2.5"

Maximum thickness of sound decoupling: 9 mm



Zero distance between annular gap



CONTENTS

Straight plastic pipe in a rigid wall

ID

POT-RW-PP-0106

FIRESTOP COLLAR

0106_01

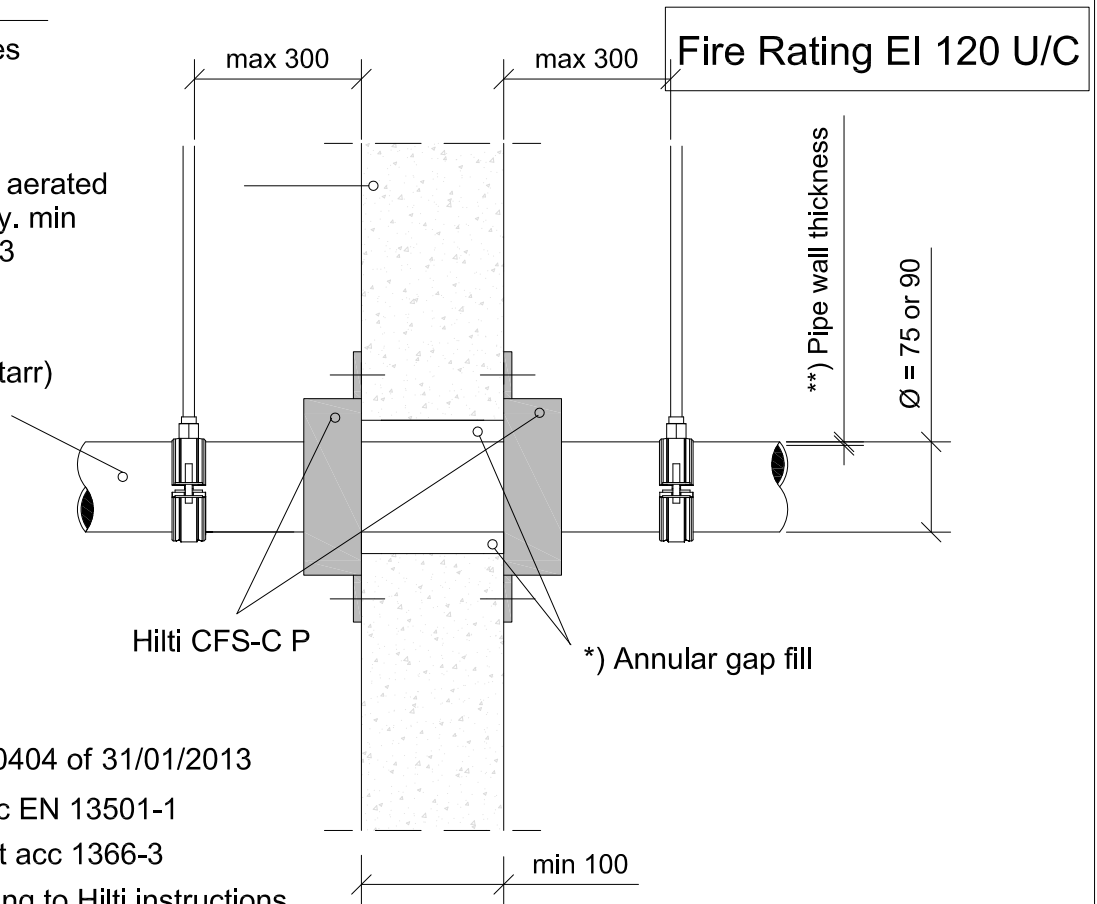
REV
00

No scale

All units are in millimetres

Comprise concrete, aerated concrete or masonry. min density of 450 kg/m³

PVC-C (Friatherm starr)



- Approval ETA-14/0404 of 31/01/2013
- Reaction to fire acc EN 13501-1
- Fire resistance test acc 1366-3
- Installation according to Hilti instructions

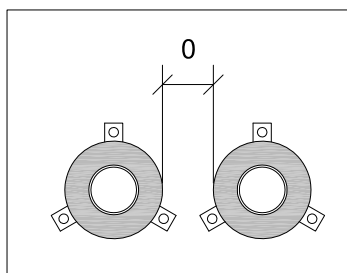
*) Annular gap fill material

Hilti Firestop Acrylic Sealant CFS-S ACR on both sides with depth > 25 mm from the surface of the wall.

Gypsum plaster or cementitious mortar over the entire thickness of the wall.

Sound Insulation for rigid wall

CFS-C ACR	Cementitious mortar
$D_{n,w} = 58$ dB	$D_{n,w} = 59$ dB
$R_w = 51$ dB	$R_w = 52$ dB



Zero distance between annular gap

**) Pipe wall and insulation thickness (Armaflex AF) arrangement Local Insulation (length of insulation > 200 mm) or Continued insulation

Pipe Ø	Pipe Wall Thickness	Insulation Thickness	Collar Size
32	3.6	9.0	CFS-C P 50/1.5"
40	4.5	9.0	CFS-C P 63/2"
50	5.6	9.0	CFS-C P 75/2.5"
63	7.1	10	CFS-C P 90/3"