

Schémas d'applications pour le collier CFS-C P



Applications pour réfrigération

- Tube Al composite avec isolant type Armaflex en cloison épaisseur 100 mm
REFR-FW-AL-0063
- Tube Al composite avec isolant type Armaflex en voile rigide épaisseur 100 mm
REFR-RW-AL-0073
- Tube Al composite avec isolant type Armaflex en dalle rigide épaisseur 150 mm
REFR-RF-AL-0085/86

- Tube plastique PE HD en cloison épaisseur 100 mm
REFR-FW-PP-0087/88
- Tube plastique PE HD en voile rigide épaisseur 100 mm
REFR-RW-PP-0090/91
- Tube plastique PE HD en dalle rigide épaisseur 100 mm
REFR-RF-PP-0093/94

*) Tous les schémas sont également disponibles sur demande en format DWG pour faciliter l'insertion sur des plans.



CONTENTS

Al composite pipe in a flexible wall

ID

REFR-FW-AL-0063

FIRESTOP COLLAR

0063_01

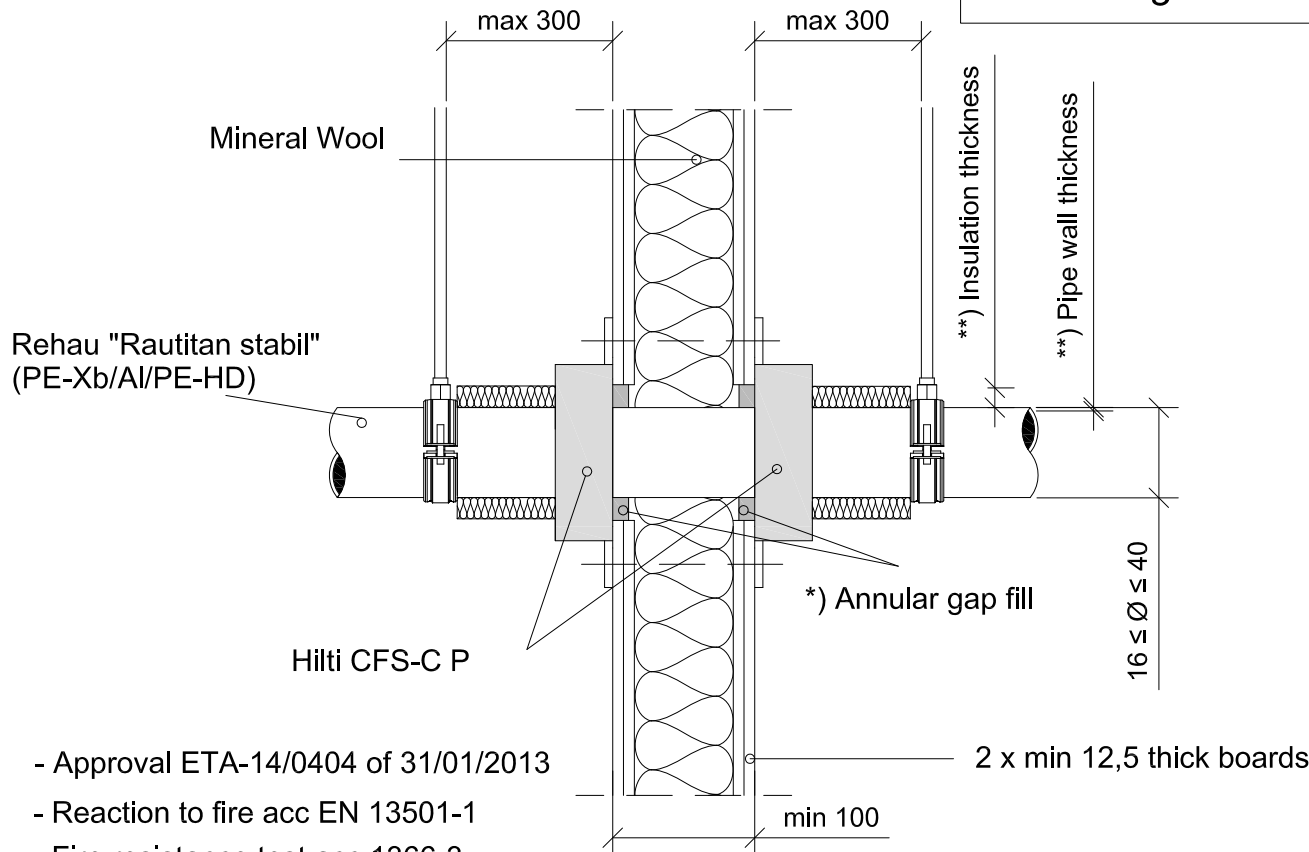
REV

00

No scale

All units are in millimetres

Fire Rating EI 120 U/C



- Approval ETA-14/0404 of 31/01/2013
- Reaction to fire acc EN 13501-1
- Fire resistance test acc 1366-3
- Installation according to Hilti instructions

Sound Insulation for flexible wall

*) Annular gap fill material

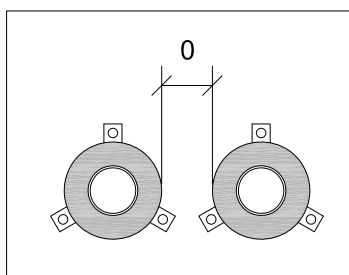
Hilti Firestop Acrylic Sealant CFS-S ACR on both sides with depth > 25 mm from the surface of the wall.

Gypsum plaster over the entire thickness of the wall.

$$D_{n,w} = 60 \text{ dB}$$

$$R_w = 53 \text{ dB}$$

**) Pipe wall and insulation thickness - Armaflex AF, continued sustained



Zero distance between annular gap

Pipe Ø	Pipe Wall Thickness	Insulation Thickness	Collar Size
16	2.6	11.5	CFS-C P 50/1.5"
20	2.9	11.5-13	CFS-C P 63/2"
25	3.7	11.5-13	CFS-C P 63/2"
32	4.7	13	CFS-C P 63/2"
40	6.0	9	CFS-C P 63/2"



CONTENTS

Al composite pipe in a rigid wall

ID

REFR-RW-AL-0073

FIRESTOP COLLAR

0073_01

REV

00

No scale

All units are in millimetres

Comprise concrete, aerated concrete or masonry. min density of 450 kg/m³

Rehau "Rautitan stabil" (PE-Xb/Al/PE-HD)

Hilti CFS-C P

*) Annular gap fill

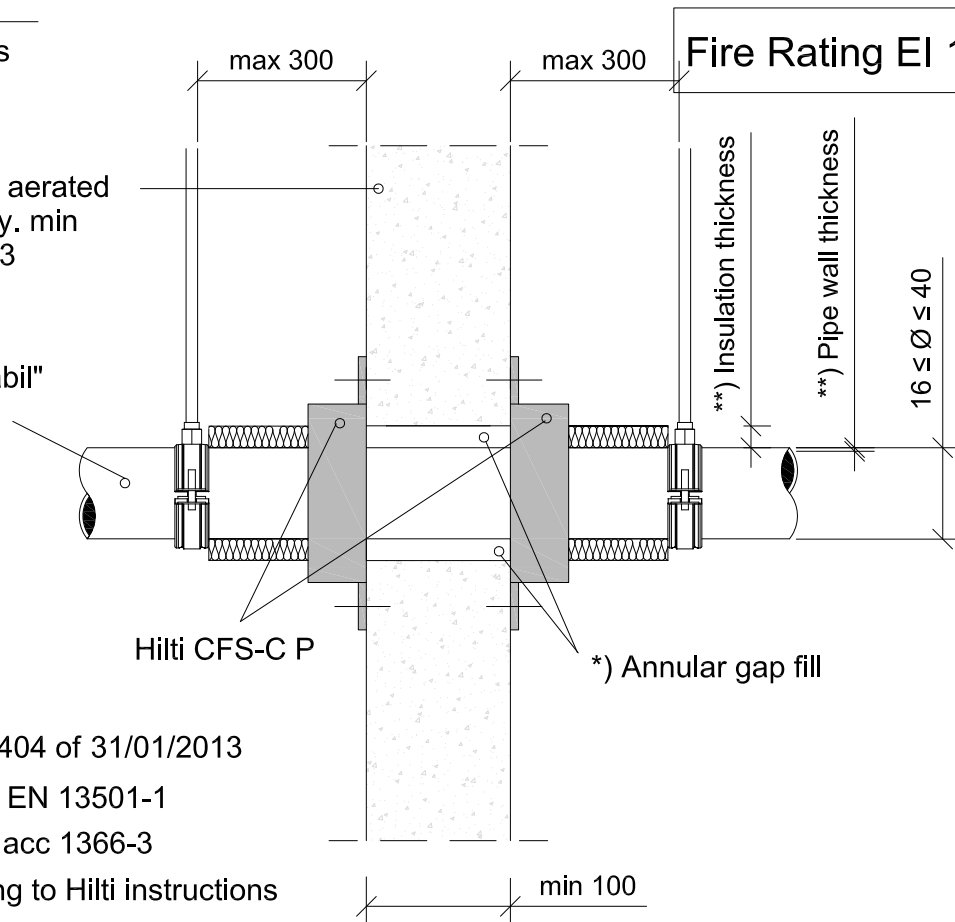
Fire Rating EI 120 U/C

**) Insulation thickness

**) Pipe wall thickness

16 ≤ Ø ≤ 40

- Approval ETA-14/0404 of 31/01/2013
- Reaction to fire acc EN 13501-1
- Fire resistance test acc 1366-3
- Installation according to Hilti instructions



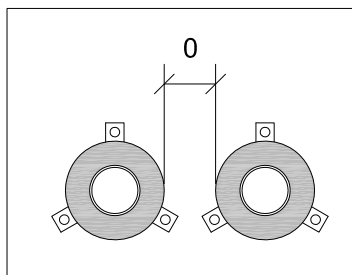
*) Annular gap fill material

Sound Insulation for rigid wall

Hilti Firestop Acrylic Sealant CFS-S ACR on both sides with depth > 15 mm from the surface of the wall.
Gypsum plaster or cementitious mortar over the entire thickness of the wall.

CFS-C ACR	Cementitious mortar
$D_{n,w} = 58 \text{ dB}$	$D_{n,w} = 59 \text{ dB}$
$R_w = 51 \text{ dB}$	$R_w = 52 \text{ dB}$

**) Pipe wall and insulation thickness - Armaflex AF, continued sustained



Zero distance between annular gap

Pipe Ø	Pipe Wall Thickness	Insulation Thickness	Collar Size
16	2.6	11.5	CFS-C P 50/1.5"
20	2.9	11.5-13	CFS-C P 63/2"
25	3.7	11.5-13	CFS-C P 63/2"
32	4.7	13	CFS-C P 63/2"
40	6.0	9	CFS-C P 63/2"



CONTENTS

Al composite pipe in a rigid floor

ID

REFR-RF-AL-0085

FIRESTOP COLLAR

0085_01

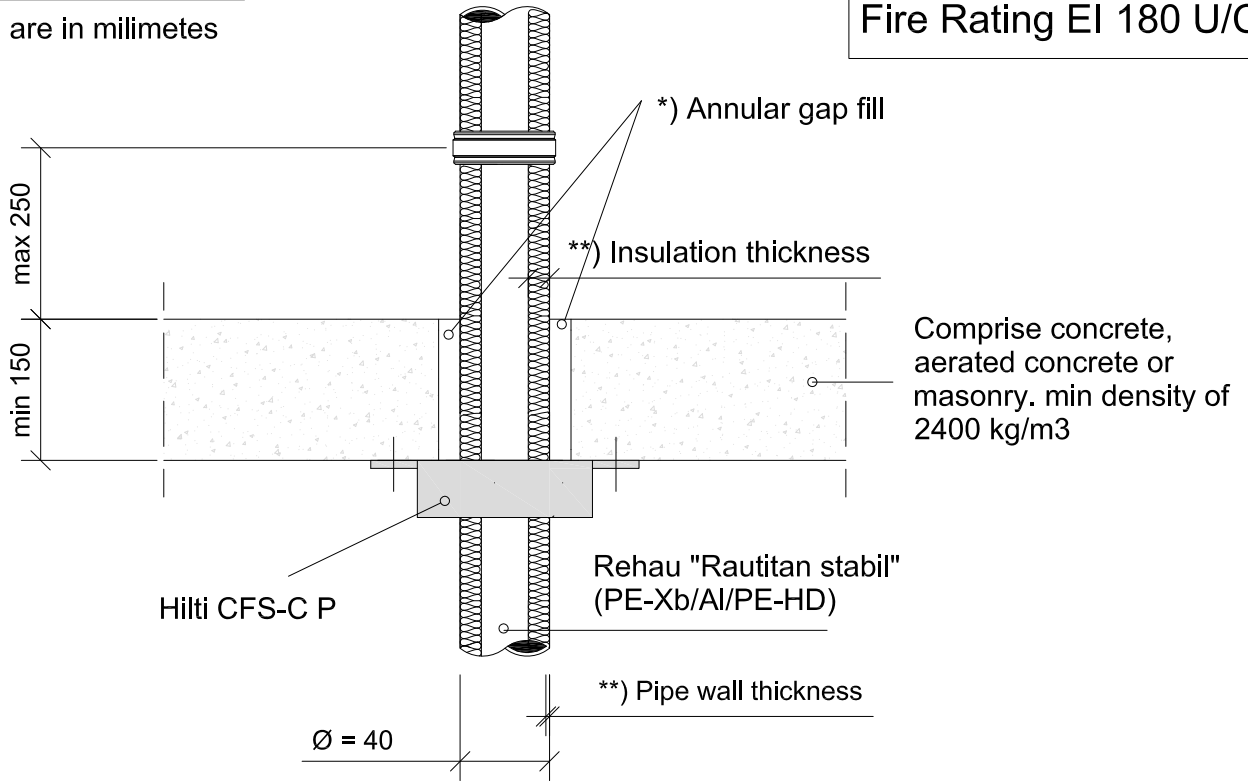
REV

00

No scale

All units are in millimetres

Fire Rating EI 180 U/C



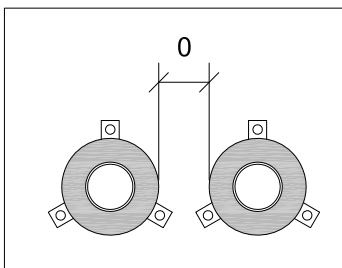
Comprise concrete, aerated concrete or masonry. min density of 2400 kg/m³

*) Annular gap fill material

Hilti Firestop Acrylic Sealant CFS-S ACR on both sides with depth > 10 mm from the surface of the wall, backfilled with mineral wool min 60 kg/m³.

Gypsum plaster or cementitious mortar over the entire thickness of the floor.

- Approval ETA-14/0404 of 31/01/2013
- Reaction to fire acc EN 13501-1
- Fire resistance test acc 1366-3
- Installation according to Hilti instructions



Zero distance between annular gap

**) Pipe wall and insulation thickness - Armaflex AF, continued sustained or local sustained (LD>250 mm)

Pipe Ø	Pipe Wall Thickness	Insulation Thickness	Collar Size
40	6.0	9.0	CFS-C P 63/2"



CONTENTS

Al composite pipe in a rigid floor

ID

REFR-RF-AL-0086

FIRESTOP COLLAR

0086_01

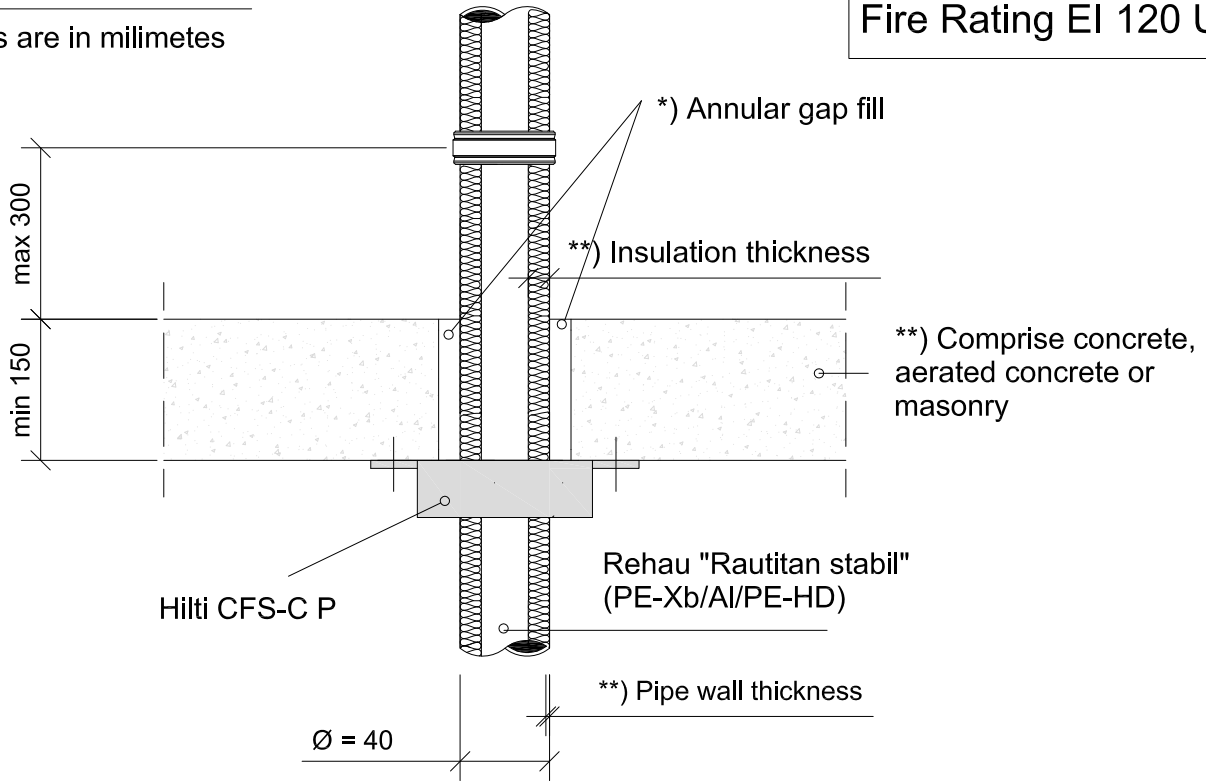
REV

00

No scale

All units are in millimetres

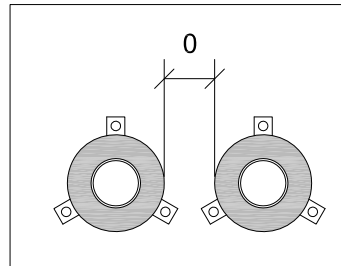
Fire Rating EI 120 U/C



*) Annular gap fill material

Hilti Firestop Acrylic Sealant CFS-S ACR on both sides with depth > 10 mm from the surface of the wall, backfilled with mineral wool min 60 kg/m³.

Gypsum plaster or cementitious mortar over the entire thickness of the floor.



Zero distance between annular gap

- Approval ETA-14/0404 of 31/01/2013
- Reaction to fire acc EN 13501-1
- Fire resistance test acc 1366-3
- Installation according to Hilti instructions

**') Pipe wall and insulation thickness - Armaflex AF, continued sustained or local sustained (LD>250 mm)

Pipe Ø	Pipe Wall Thickness	Insulation Thickness for $\rho > 2400 \text{ kg/m}^3$	Insulation Thickness for $\rho > 550 \text{ kg/m}^3$	Collar Size
40	6.0	9-20.5	20.5	CFS-C P 63/2.0"-75/2.5"



CONTENTS

Straight plastic pipe in a flexible wall

ID

REFR-FW-PP-0087

FIRESTOP COLLAR

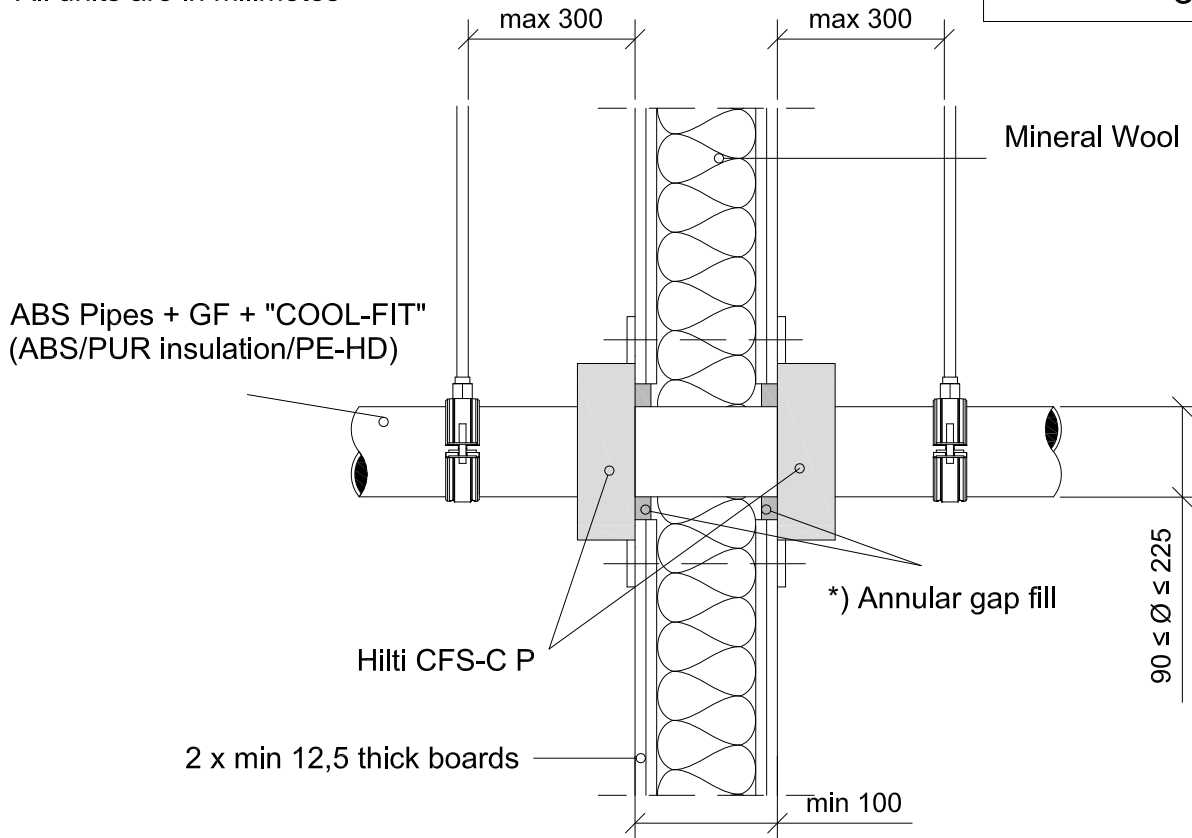
0087_01

REV
00

No scale

All units are in millimetres

Fire Rating EI 120 U/C



- Approval ETA-14/0404 of 31/01/2013
- Reaction to fire acc EN 13501-1
- Fire resistance test acc 1366-3
- Installation according to Hilti instructions

*) Annular gap fill material

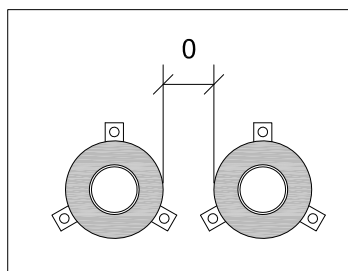
Hilti Firestop Acrylic Sealant CFS-S ACR on both sides with depth > 25 mm from the surface of the wall.

Gypsum plaster or cementitious mortar over the entire thickness of the wall.

Sound Insulation for flexible wall

$$D_{n,w} = 60 \text{ dB}$$

$$R_w = 53 \text{ dB}$$



Zero distance between annular gap

Pipe Ø	Inner pipe Ø	Collar Size
90	32	CFS-C P 90/3"
110	40	CFS-C P 110/4"
110	50	CFS-C P 110/4"
160	90	CFS-C P 160/6"
180	110	CFS-C P 180/7"
225	140	CFS-C P 225/9"



CONTENTS

Straight plastic pipe in a flexible wall

ID

REFR-FW-PP-0088

FIRESTOP COLLAR

0088_01

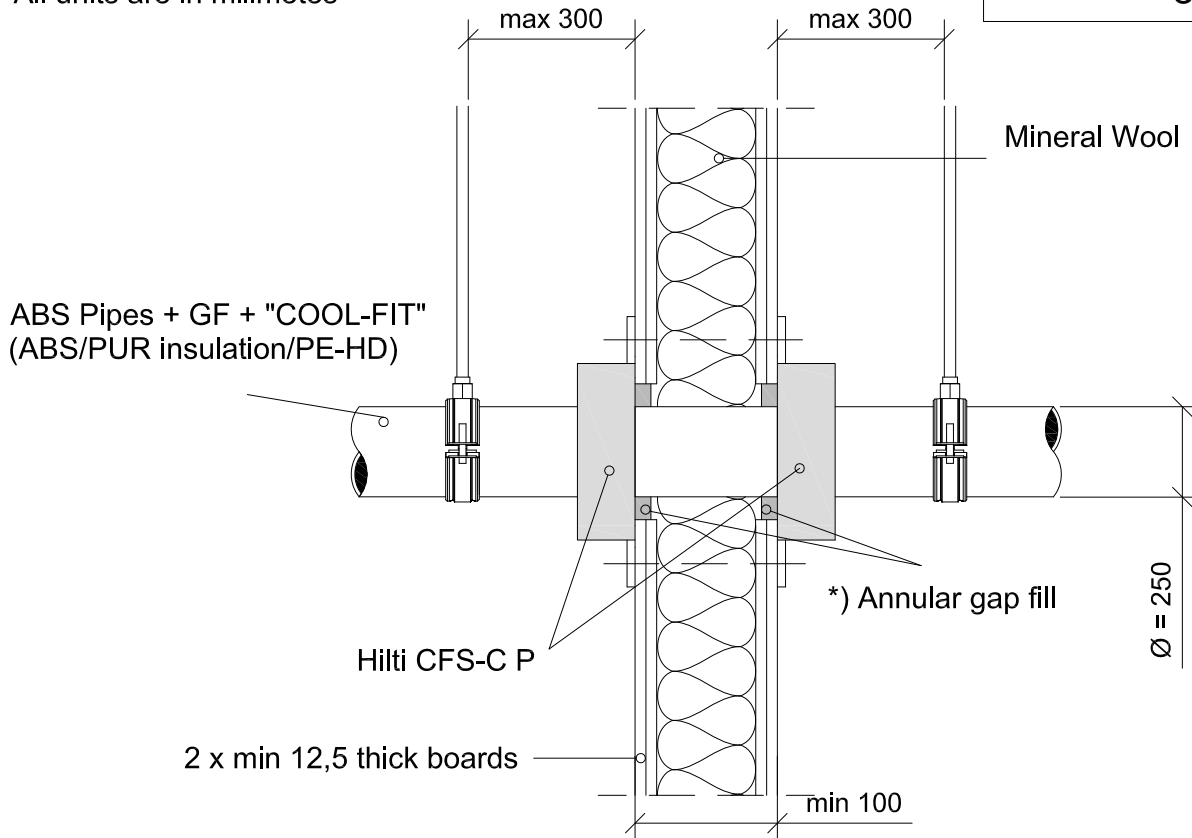
REV

00

No scale

All units are in millimetres

Fire Rating EI 60 U/C



*) Annular gap fill material

Hilti Firestop Acrylic Sealant CFS-S ACR on both sides with depth > 25 mm from the surface of the wall.

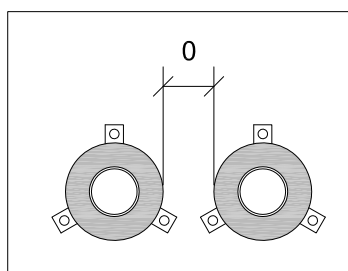
Gypsum plaster or cementitious mortar over the entire thickness of the wall.

- Approval ETA-14/0404 of 31/01/2013
- Reaction to fire acc EN 13501-1
- Fire resistance test acc 1366-3
- Installation according to Hilti instructions

Sound Insulation for flexible wall

$$D_{n,w} = 60 \text{ dB}$$

$$R_w = 53 \text{ dB}$$



Zero distance between annular gap

Pipe Ø	Inner pipe Ø	Collar Size
250	160	CFS-C P 250/10"



CONTENTS

Straight plastic pipe in a rigid wall

ID

REFR-RW-PP-0090

FIRESTOP COLLAR

0090_01

REV

00

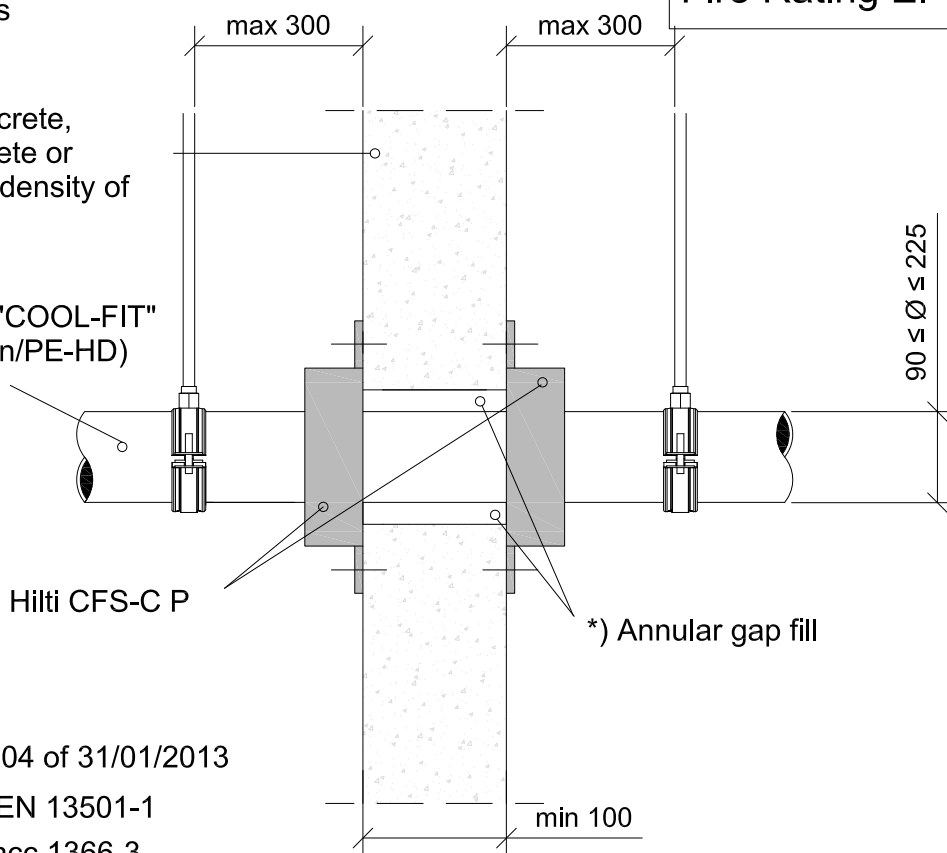
No scale

All units are in milimetres

Fire Rating EI 120 U/C

Comprise concrete, aerated concrete or masonry. min density of 450 kg/m³

ABS Pipes + GF + "COOL-FIT" (ABS/PUR insulation/PE-HD)



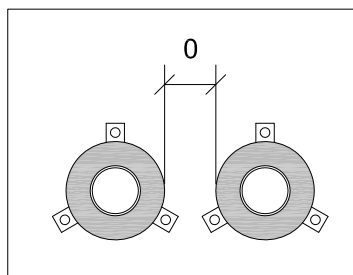
- Approval ETA-14/0404 of 31/01/2013
- Reaction to fire acc EN 13501-1
- Fire resistance test acc 1366-3
- Installation according to Hilti instructions

*) Annular gap fill material

Hilti Firestop Acrylic Sealant CFS-S ACR on both sides with depth > 15 mm from the surface of the wall.
Gypsum plaster or cementitious mortar over the entire thickness of the wall.

Sound Insulation for rigid wall

CFS-C ACR	Cementitious mortar
$D_{n,w} = 58 \text{ dB}$	$D_{n,w} = 59 \text{ dB}$
$R_w = 51 \text{ dB}$	$R_w = 52 \text{ dB}$



Zero distance between annular gap

Pipe Ø	Inner pipe Ø	Collar Size
90	32	CFS-C P 90/3"
110	40	CFS-C P 110/4"
110	50	CFS-C P 110/4"
160	90	CFS-C P 160/6"
180	110	CFS-C P 180/7"
225	140	CFS-C P 225/9"



CONTENTS

Straight plastic pipe in a rigid wall

ID

REFR-RW-PP-0091

FIRESTOP COLLAR

0091_01

REV
00

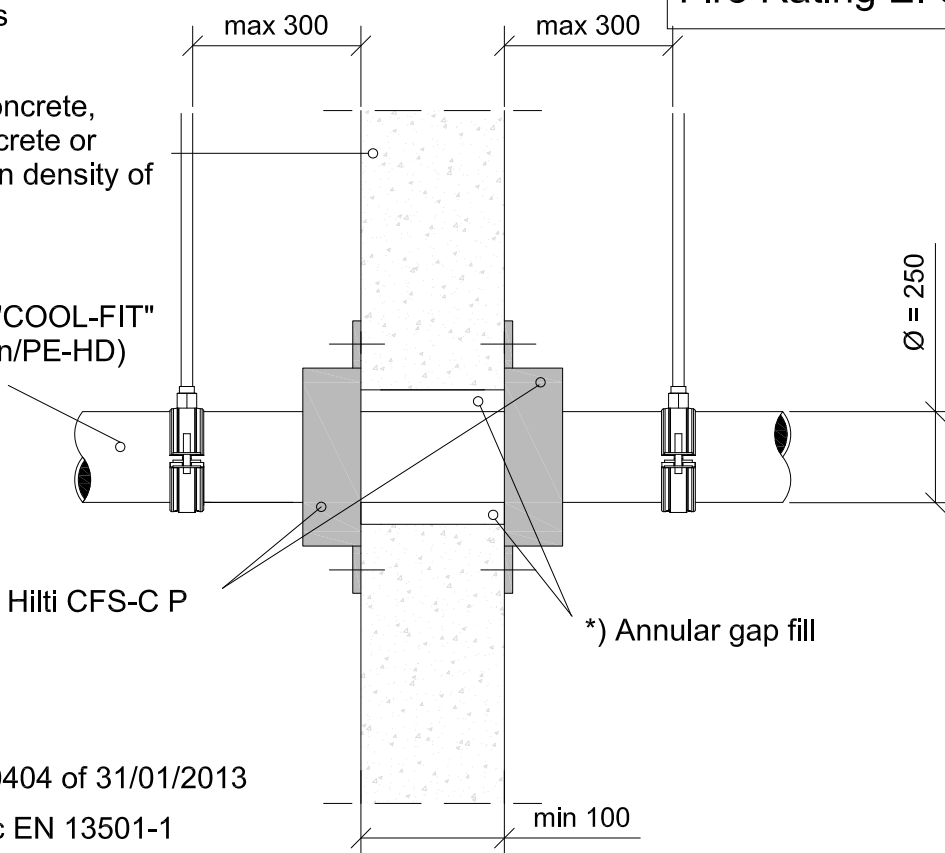
No scale

All units are in millimetres

Fire Rating EI 60 U/C

Comprise concrete, aerated concrete or masonry. min density of 450 kg/m³

ABS Pipes + GF + "COOL-FIT" (ABS/PUR insulation/PE-HD)



Hilti CFS-C P

*) Annular gap fill

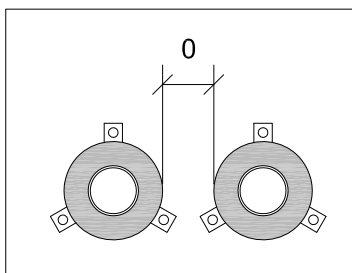
- Approval ETA-14/0404 of 31/01/2013
- Reaction to fire acc EN 13501-1
- Fire resistance test acc 1366-3
- Installation according to Hilti instructions

*) Annular gap fill material

Hilti Firestop Acrylic Sealant CFS-S ACR on both sides with depth > 15 mm from the surface of the wall.
Gypsum plaster or cementitious mortar over the entire thickness of the wall.

Sound Insulation for rigid wall

CFS-C ACR	Cementitious mortar
$D_{n,w} = 58 \text{ dB}$	$D_{n,w} = 59 \text{ dB}$
$R_w = 51 \text{ dB}$	$R_w = 52 \text{ dB}$



Zero distance between annular gap

Pipe Ø	Inner pipe Ø	Collar Size
250	160	CFS-C P 250/10"



CONTENTS

Straight plastic pipe in a floor

ID

REFR-RF-PP-0093

FIRESTOP COLLAR

0093_01

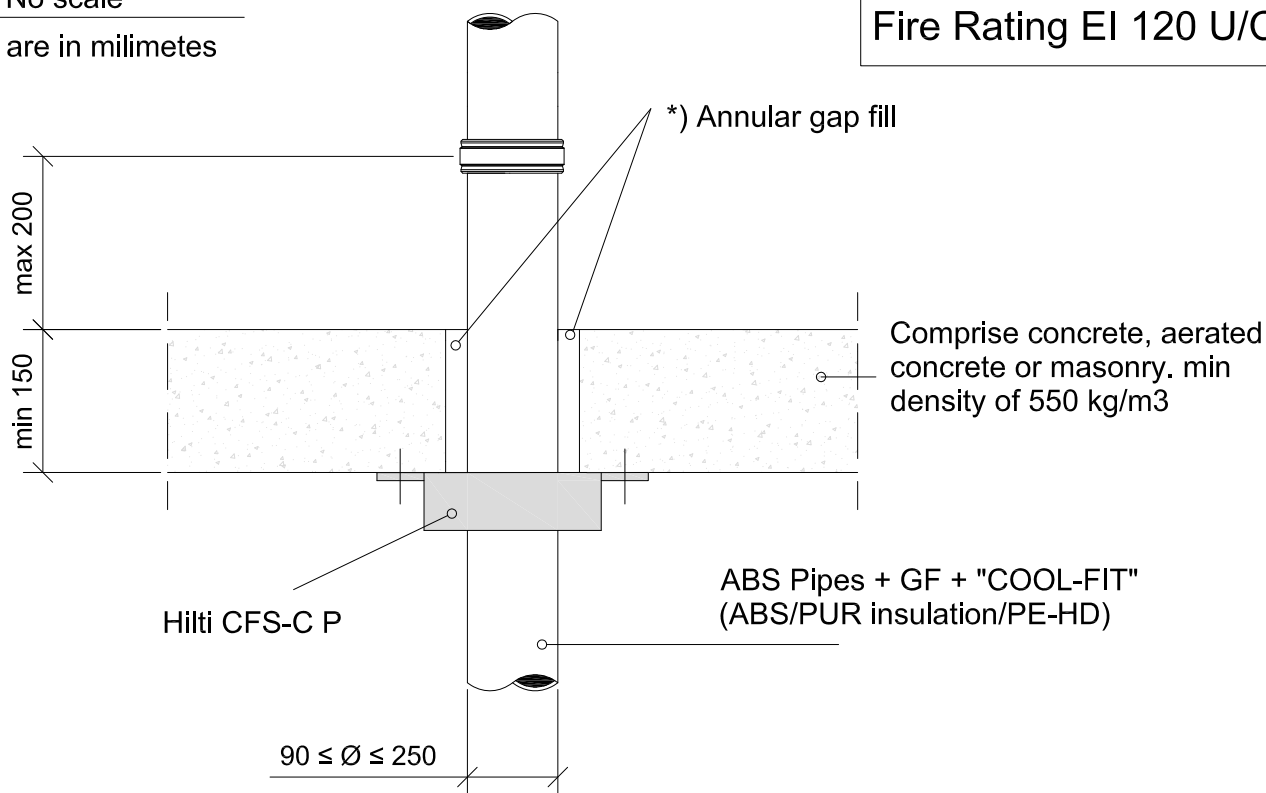
REV

00

No scale

All units are in millimetres

Fire Rating EI 120 U/C

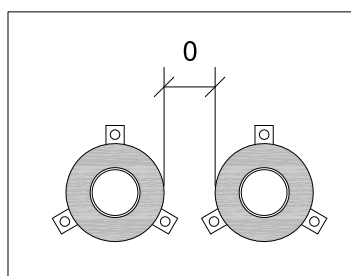


*) Annular gap fill material

Hilti Firestop Acrylic Sealant CFS-S ACR on both sides with depth > 10 mm from the surface of the wall, backfilled with mineral wool min 60 kg/m³.

Gypsum plaster or cementitious mortar over the entire thickness of the floor.

- Approval ETA-14/0404 of 31/01/2013
- Reaction to fire acc EN 13501-1
- Fire resistance test acc 1366-3
- Installation according to Hilti instructions



Zero distance between annular gap

Pipe Ø	Inner pipe Ø	Collar Size
90	32	CFS-C P 90/3"
110	40	CFS-C P 110/4"
110	50	CFS-C P 110/4"
160	90	CFS-C P 160/6"
225	140	CFS-C P 225/9"
250	160	CFS-C P 250/10"



CONTENTS

Straight plastic pipe in a floor

ID

REFR-RF-PP-0094

FIRESTOP COLLAR

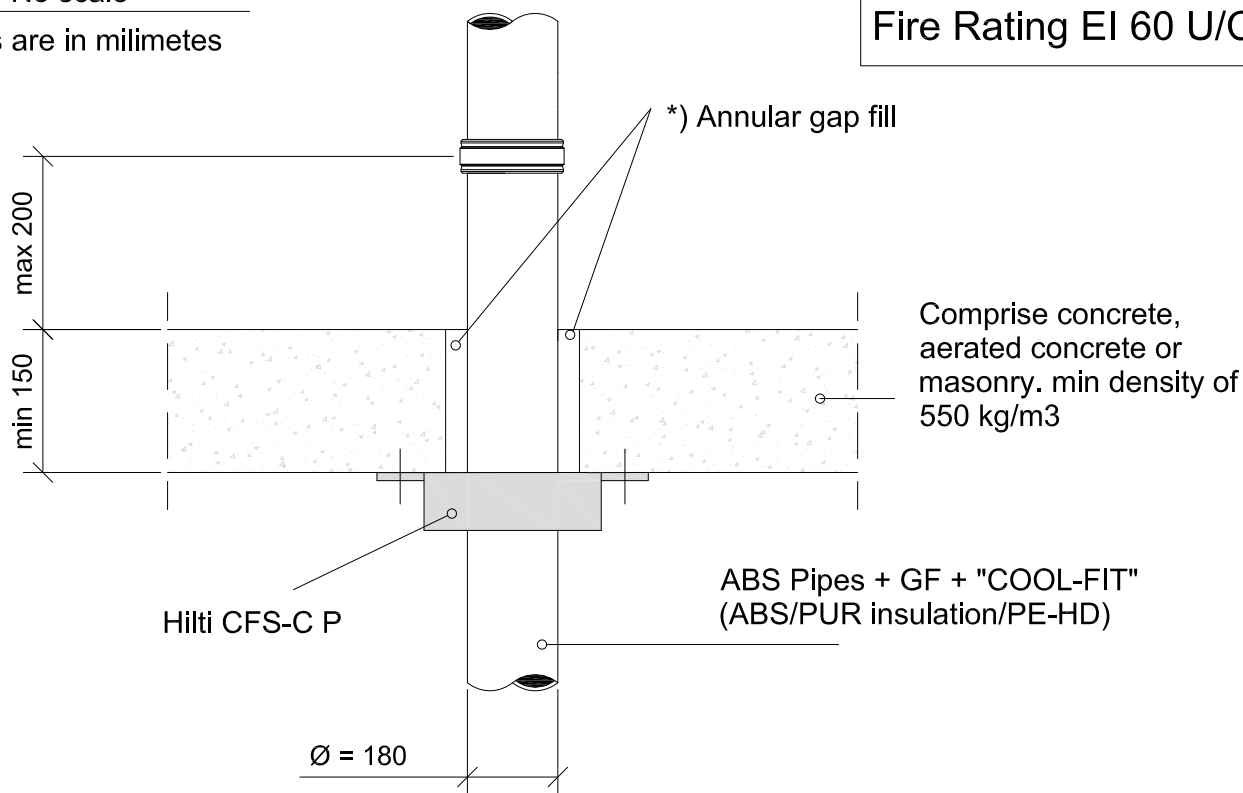
0094_01

REV
00

No scale

All units are in millimetres

Fire Rating EI 60 U/C

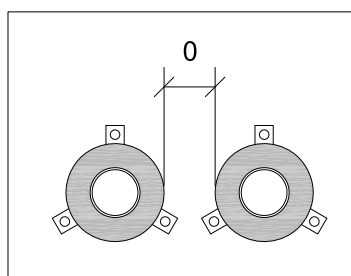


*) Annular gap fill material

Hilti Firestop Acrylic Sealant CFS-S ACR on both sides with depth > 10 mm from the surface of the wall, backfilled with mineral wool min 60 kg/m³.

Gypsum plaster or cementitious mortar over the entire thickness of the floor.

- Approval ETA-14/0404 of 31/01/2013
- Reaction to fire acc EN 13501-1
- Fire resistance test acc 1366-3
- Installation according to Hilti instructions



Zero distance between annular gap

Pipe Ø	Inner pipe Ø	Collar Size
180	110	CFS-C P 180/7"