

Schémas d'applications pour le collier CFS-C P



Applications pour sprinkler

- Tube PP-R en cloison épaisseur 100 mm
- Tube PP-R en voile rigide épaisseur 100 mm
- Tube PP-R en dalle rigide 150 mm

SPRIN-FW-PP-0001-6

SPRIN-RW-PP-0007-12

SPRIN-RF-PP-0013-18

*) Tous les schémas sont également disponibles sur demande en format DWG pour faciliter l'insertion sur des plans.



CONTENTS

Straight plastic pipe in a flexible wall

ID

SPRIN-FW-PP-0001

FIRESTOP COLLAR

0001_01

REV

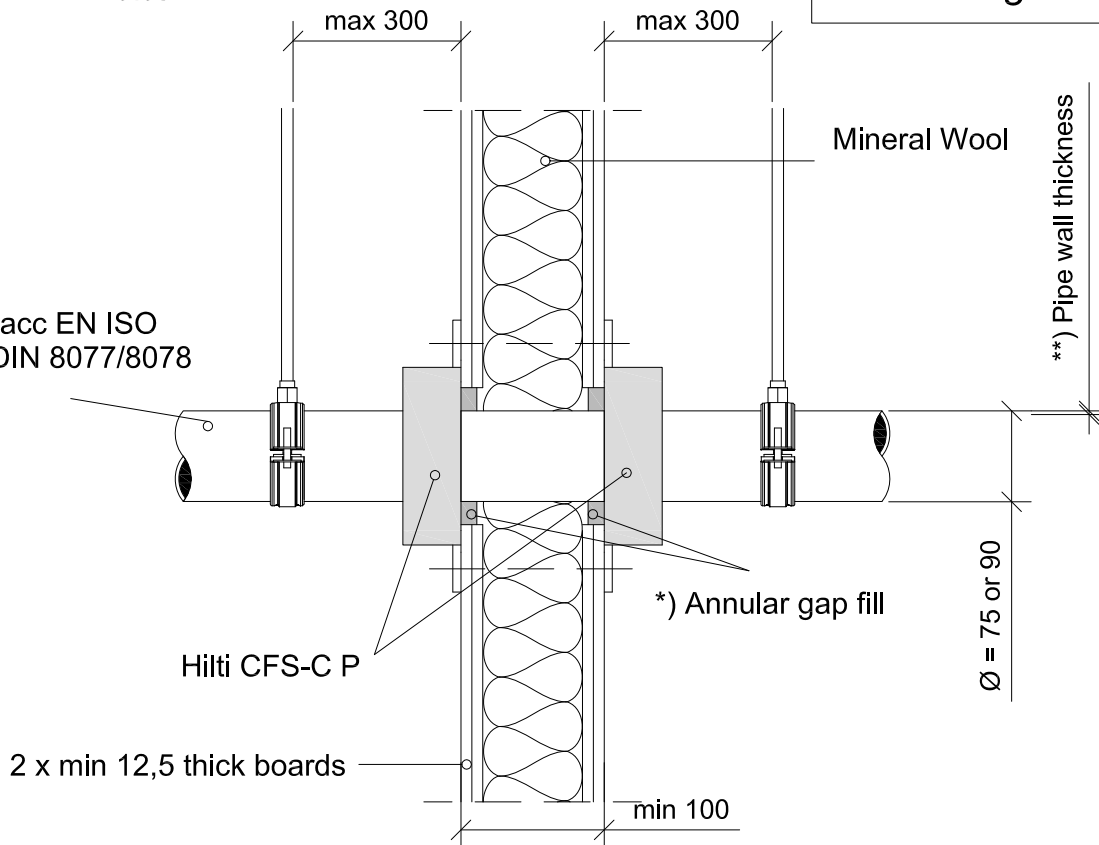
00

No scale

All units are in millimetres

Fire Rating EI 120 U/U

PP-R pipes acc EN ISO 15874 and DIN 8077/8078



*) Annular gap fill material

Hilti Firestop Acrylic Sealant CFS-S ACR on both sides with depth > 25 mm from the surface of the wall.

Gypsum plaster or cementitious mortar over the entire thickness of the wall.

- Approval ETA-14/0404 of 31/01/2013
- Reaction to fire acc EN 13501-1
- Fire resistance test acc 1366-3
- Installation according to Hilti instructions

Sound Insulation for flexible wall

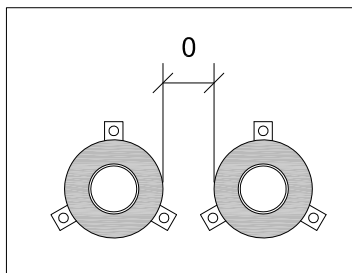
$$D_{n,w} = 60 \text{ dB}$$

$$R_w = 53 \text{ dB}$$

***) Pipe wall thickness

Pipe Ø	Pipe wall thickness	Collar Size
75	6.8-12.5	CFS-C P 75/2.5"
90	8.2-15.0	CFS-C P 90/3"

Maximum thickness of sound decoupling: 9 mm



Zero distance between annular gap



CONTENTS

Straight plastic pipe in a flexible wall

ID

SPRIN-FW-PP-0002

FIRESTOP COLLAR

0002_01

REV

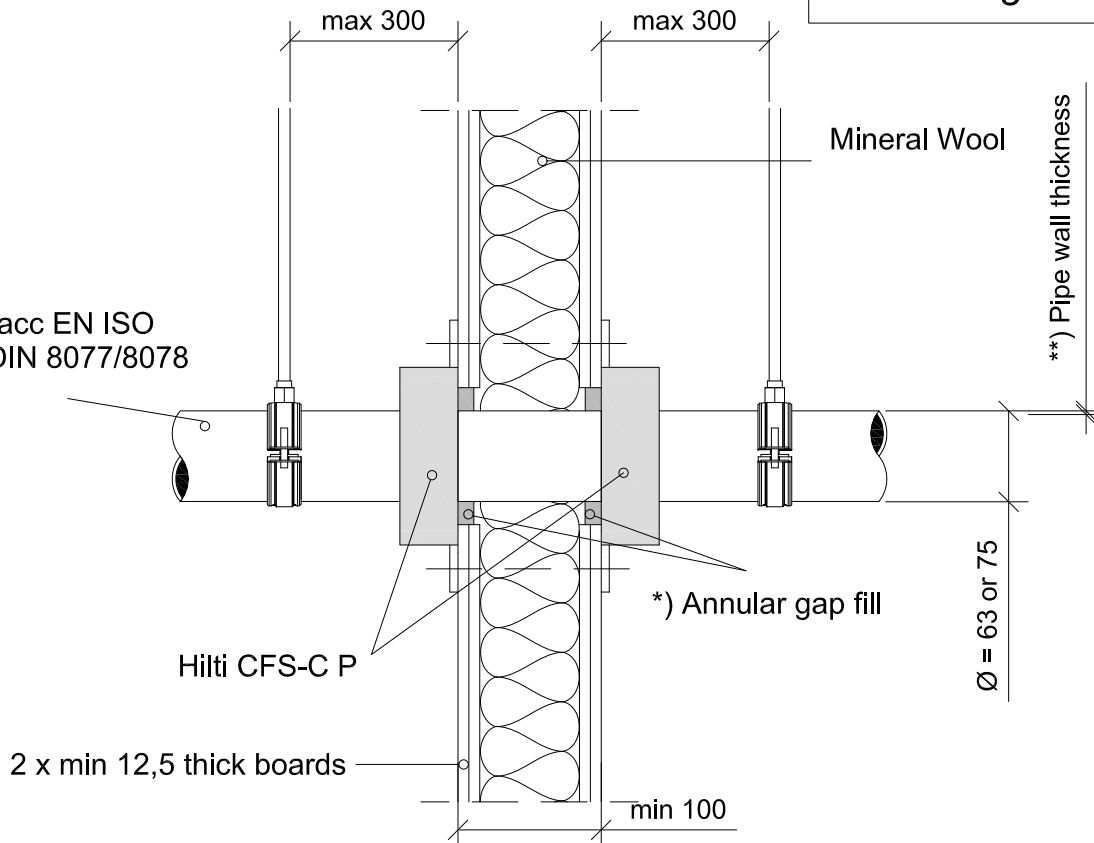
00

No scale

All units are in millimetres

Fire Rating EI 120 U/C

PP-R pipes acc EN ISO 15874 and DIN 8077/8078



*) Annular gap fill material

Hilti Firestop Acrylic Sealant CFS-S ACR on both sides with depth > 25 mm from the surface of the wall.

Gypsum plaster or cementitious mortar over the entire thickness of the wall.

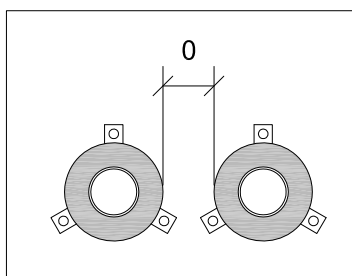
- Approval ETA-14/0404 of 31/01/2013
- Reaction to fire acc EN 13501-1
- Fire resistance test acc 1366-3
- Installation according to Hilti instructions

Sound Insulation for flexible wall

$$D_{n,w} = 60 \text{ dB}$$

$$R_w = 53 \text{ dB}$$

**) Pipe wall thickness



Zero distance between annular gap

Pipe Ø	Pipe wall thickness	Collar Size
63	10.5	CFS-C P 63/2.0"
75	6.8	CFS-C P 75/2.5"

Maximum thickness of sound decoupling: 9 mm



CONTENTS

Straight plastic pipe in a flexible wall

ID

SPRIN-FW-PP-0003

FIRESTOP COLLAR

0003_01

REV

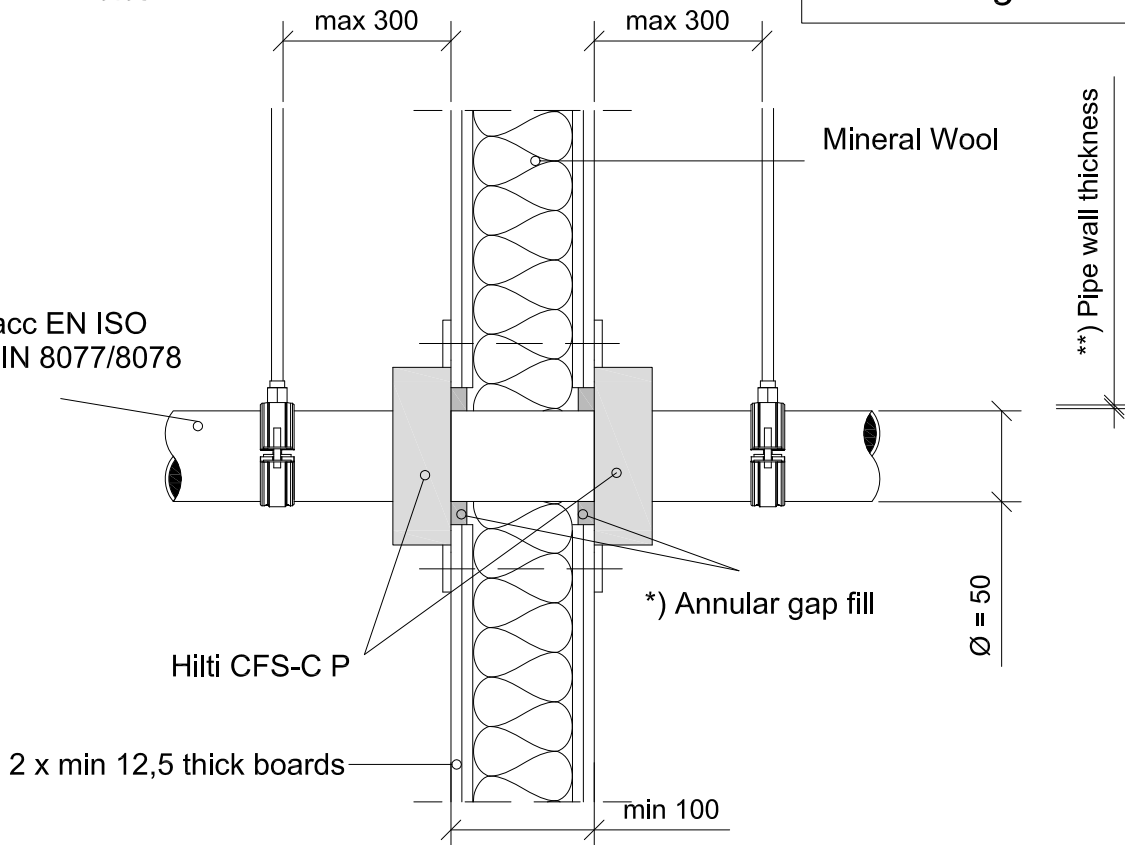
00

No scale

All units are in milimetres

Fire Rating EI 90 U/U

PP-R pipes acc EN ISO 15874 and DIN 8077/8078



*) Annular gap fill material

Hilti Firestop Acrylic Sealant CFS-S ACR on both sides with depth > 25 mm from the surface of the wall.

Gypsum plaster or cementitious mortar over the entire thickness of the wall.

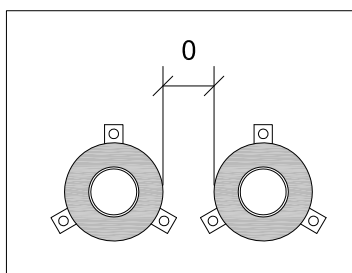
- Approval ETA-14/0404 of 31/01/2013
- Reaction to fire acc EN 13501-1
- Fire resistance test acc 1366-3
- Installation according to Hilti instructions

Sound Insulation for flexible wall

$$D_{n,w} = 60 \text{ dB}$$

$$R_w = 53 \text{ dB}$$

**) Pipe wall thickness



Zero distance between annular gap

Pipe Ø	Pipe wall thickness	Collar Size
50	1.8-2.9	CFS-C P 50/1.5"

Maximum thickness of sound decoupling: 9 mm



CONTENTS

Straight plastic pipe in a flexible wall

ID

SPRIN-FW-PP-0004

FIRESTOP COLLAR

0004_01

REV

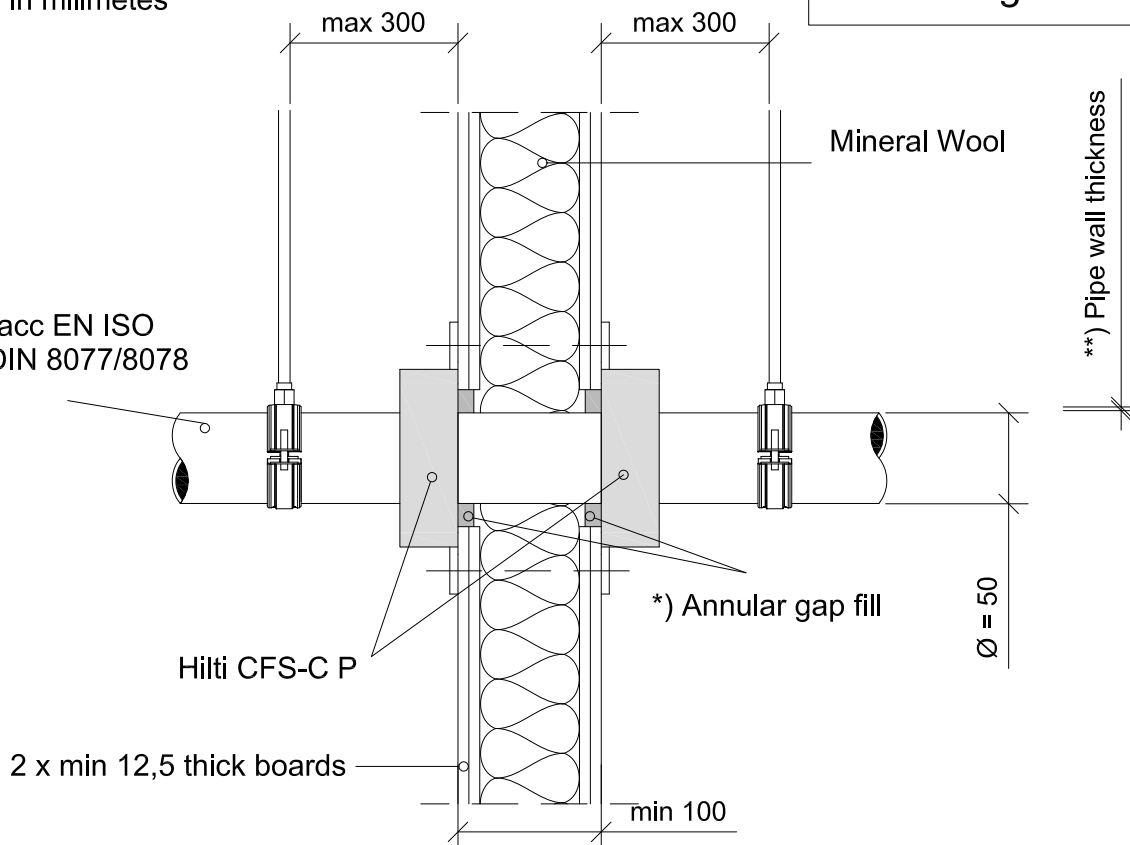
00

No scale

All units are in millimetres

Fire Rating EI 90 U/C

PP-R pipes acc EN ISO 15874 and DIN 8077/8078



*) Annular gap fill material

Hilti Firestop Acrylic Sealant CFS-S ACR on both sides with depth > 25 mm from the surface of the wall.

Gypsum plaster or cementitious mortar over the entire thickness of the wall.

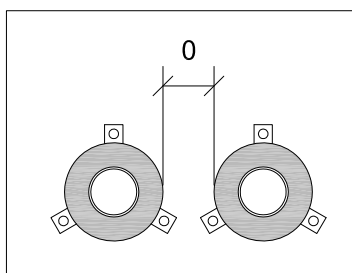
- Approval ETA-14/0404 of 31/01/2013
- Reaction to fire acc EN 13501-1
- Fire resistance test acc 1366-3
- Installation according to Hilti instructions

Sound Insulation for flexible wall

$$D_{n,w} = 60 \text{ dB}$$

$$R_w = 53 \text{ dB}$$

***) Pipe wall thickness



Zero distance between annular gap

Pipe Ø	Pipe wall thickness	Collar Size
50	4.6-8.3	CFS-C P 50/1.5"

Maximum thickness of sound decoupling: 9 mm



CONTENTS

Straight plastic pipe in a flexible wall

ID

SPRIN-FW-PP-0005

FIRESTOP COLLAR

0005_01

REV

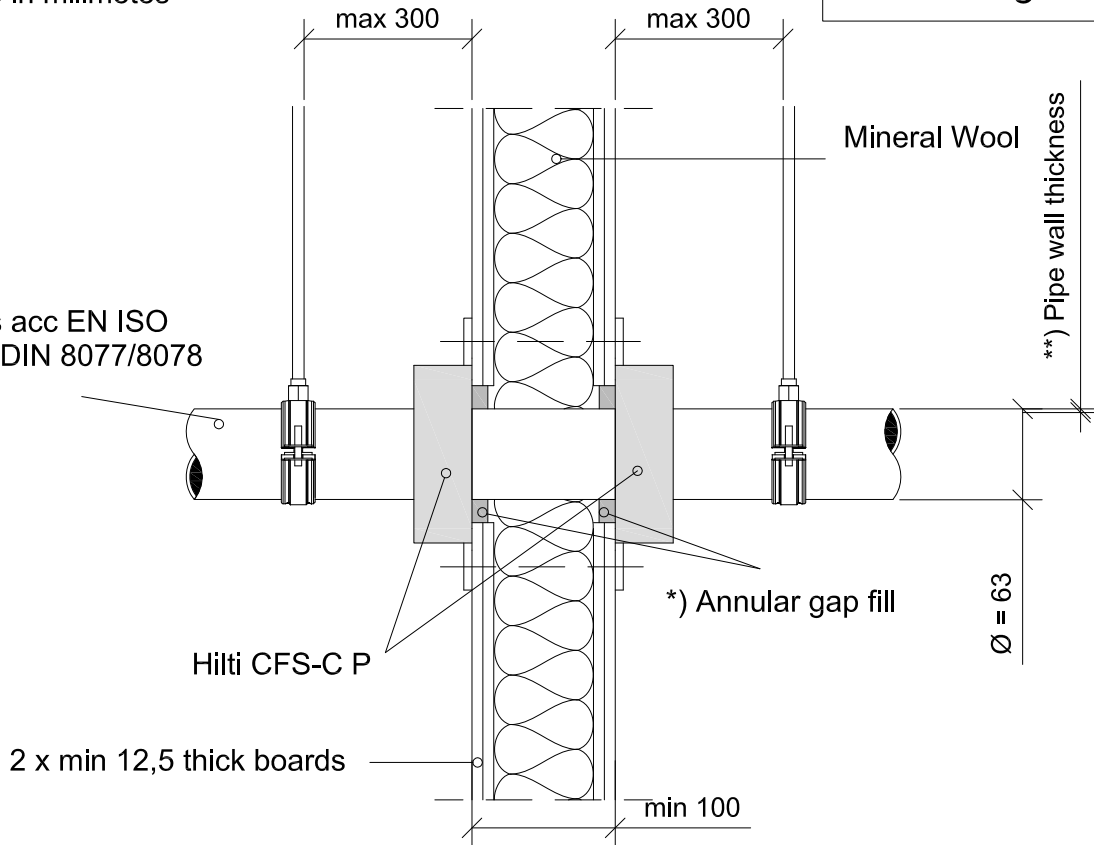
00

No scale

All units are in millimetres

Fire Rating EI 60 U/U

PP-R pipes acc EN ISO 15874 and DIN 8077/8078



*) Annular gap fill material

Hilti Firestop Acrylic Sealant CFS-S ACR on both sides with depth > 25 mm from the surface of the wall.

Gypsum plaster or cementitious mortar over the entire thickness of the wall.

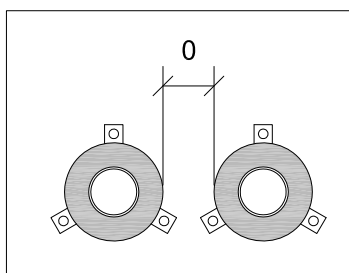
- Approval ETA-14/0404 of 31/01/2013
- Reaction to fire acc EN 13501-1
- Fire resistance test acc 1366-3
- Installation according to Hilti instructions

Sound Insulation for flexible wall

$$D_{n,w} = 60 \text{ dB}$$

$$R_w = 53 \text{ dB}$$

**) Pipe wall thickness



Zero distance between annular gap

Pipe Ø	Pipe wall thickness	Collar Size
63	1.8-5.8	CFS-C P 63/2"

Maximum thickness of sound decoupling: 9 mm



CONTENTS

Straight plastic pipe in a flexible wall

ID

SPRIN-FW-PP-0006

FIRESTOP COLLAR

0006_01

REV

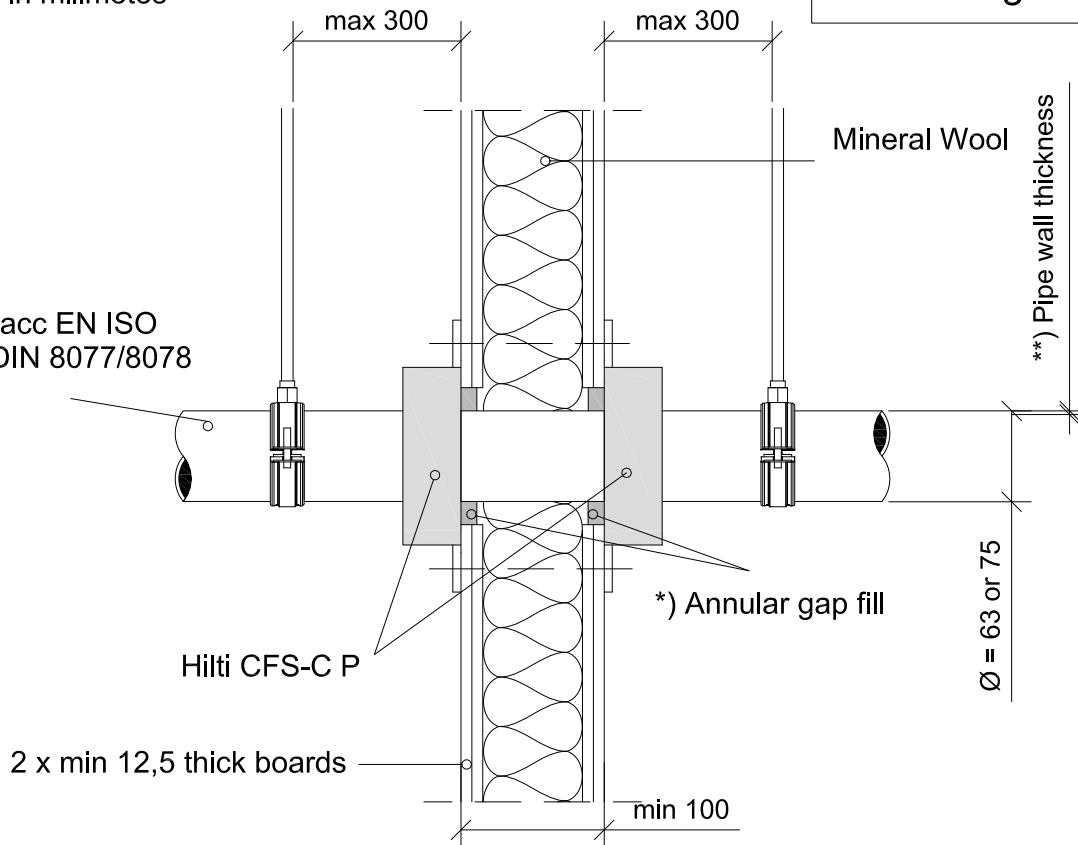
00

No scale

All units are in millimetres

Fire Rating EI 60 U/C

PP-R pipes acc EN ISO 15874 and DIN 8077/8078



*) Annular gap fill material

Hilti Firestop Acrylic Sealant CFS-S ACR on both sides with depth > 25 mm from the surface of the wall.

Gypsum plaster or cementitious mortar over the entire thickness of the wall.

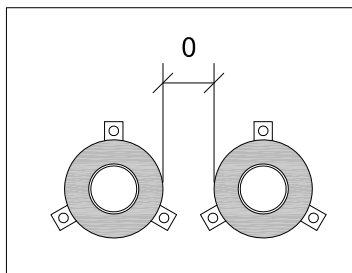
- Approval ETA-14/0404 of 31/01/2013
- Reaction to fire acc EN 13501-1
- Fire resistance test acc 1366-3
- Installation according to Hilti instructions

Sound Insulation for flexible wall

$$D_{n,w} = 60 \text{ dB}$$

$$R_w = 53 \text{ dB}$$

**) Pipe wall thickness



Zero distance between annular gap

Pipe Ø	Pipe wall thickness	Collar Size
63	5.8-10.5	CFS-C P 63/2"
75	1.9-6.8	CFS-C P 75/2.5"

Maximum thickness of sound decoupling: 9 mm



CONTENTS

Straight plastic pipe in a rigid wall

ID

SPRIN-RW-PP-0007

FIRESTOP COLLAR

0007_01

REV
00

No scale

All units are in millimetres

Comprise concrete, aerated concrete or masonry. min density of 450 kg/m³

PP-R pipes acc EN ISO 15874 and DIN 8077/8078

Hilti CFS-C P

*) Annular gap fill

Fire Rating EI 120 U/U

**) Pipe wall thickness

Ø = 75 or 90

- Approval ETA-14/0404 of 31/01/2013
- Reaction to fire acc EN 13501-1
- Fire resistance test acc 1366-3
- Installation according to Hilti instructions

*) Annular gap fill material

Hilti Firestop Acrylic Sealant CFS-S ACR on both sides with depth > 15 mm from the surface of the wall.

Gypsum plaster or cementitious mortar over the entire thickness of the wall.

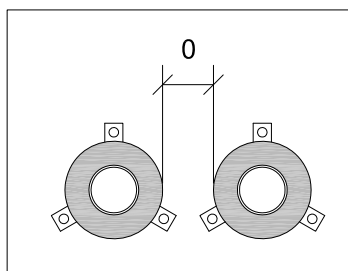
Sound Insulation for rigid wall

CFS-C ACR	Cementitious mortar
$D_{n,w} = 58$ dB	$D_{n,w} = 59$ dB
$R_w = 51$ dB	$R_w = 52$ dB

**) Pipe wall thickness

Pipe Ø	Pipe wall thickness	Collar Size
75	6.8-12.5	CFS-C P 75/2.5"
90	8.2-15.0	CFS-C P 90/3"

Maximum thickness of sound decoupling: 9 mm



Zero distance between annular gap



CONTENTS

Straight plastic pipe in a rigid wall

ID

SPRIN-RW-PP-0008

FIRESTOP COLLAR

0008_01

REV
00

No scale

All units are in millimetres

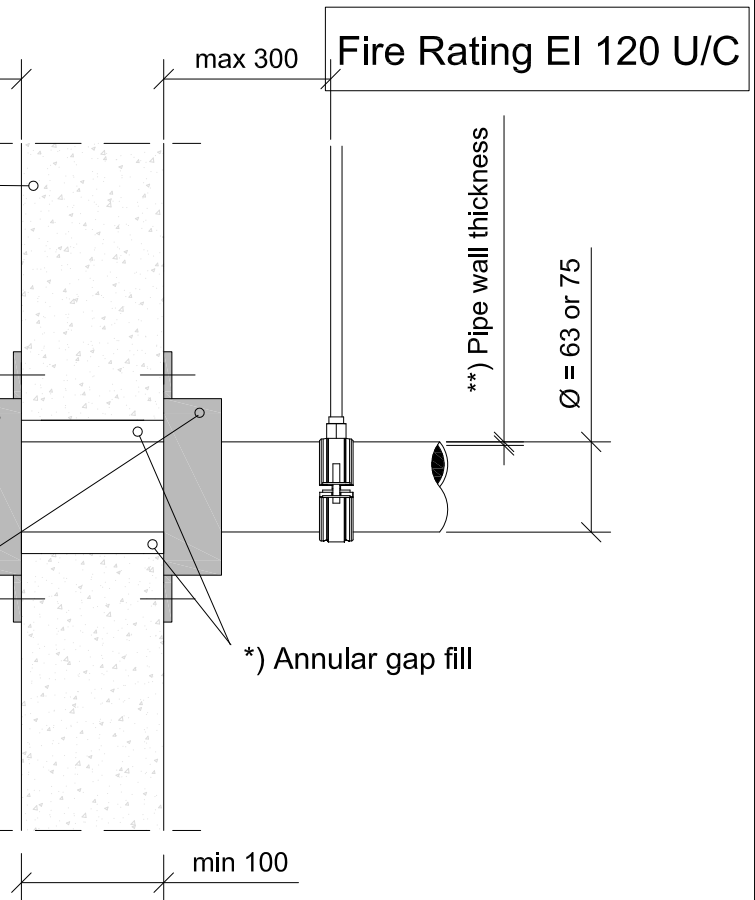
Comprise concrete, aerated concrete or masonry. min density of 450 kg/m³

PP-R pipes acc EN ISO 15874 and DIN 8077/8078

Hilti CFS-C P

*) Annular gap fill

- Approval ETA-14/0404 of 31/01/2013
- Reaction to fire acc EN 13501-1
- Fire resistance test acc 1366-3
- Installation according to Hilti instructions



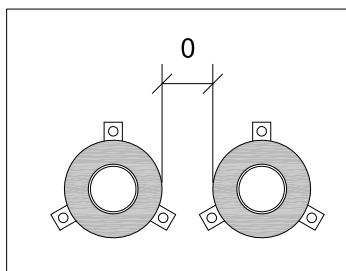
*) Annular gap fill material

Hilti Firestop Acrylic Sealant CFS-S ACR on both sides with depth > 15 mm from the surface of the wall.

Gypsum plaster or cementitious mortar over the entire thickness of the wall.

Sound Insulation for rigid wall

CFS-C ACR	Cementitious mortar
$D_{n,w} = 58 \text{ dB}$	$D_{n,w} = 59 \text{ dB}$
$R_w = 51 \text{ dB}$	$R_w = 52 \text{ dB}$



Zero distance between annular gap

**) Pipe wall thickness

Pipe Ø	Pipe wall thickness	Collar Size
63	10.5	CFS-C P 63/2"
75	6.8	CFS-C P 75/2.5"

Maximum thickness of sound decoupling: 9 mm



CONTENTS

Straight plastic pipe in a rigid wall

ID

SPRIN-RW-PP-0009

FIRESTOP COLLAR

0009_01

REV
00

No scale

All units are in milimetres

Comprise concrete, aerated concrete or masonry. min density of 450 kg/m³

PP-R pipes acc EN ISO 15874 and DIN 8077/8078

Hilti CFS-C P

*) Annular gap fill

Fire Rating EI 90 U/U

**) Pipe wall thickness

Ø = 50

- Approval ETA-14/0404 of 31/01/2013
- Reaction to fire acc EN 13501-1
- Fire resistance test acc 1366-3
- Installation according to Hilti instructions

*) Annular gap fill material

Hilti Firestop Acrylic Sealant CFS-S ACR on both sides with depth > 15 mm from the surface of the wall.

Gypsum plaster or cementitious mortar over the entire thickness of the wall.

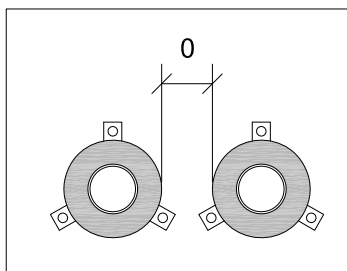
Sound Insulation for rigid wall

CFS-C ACR	Cementitious mortar
$D_{n,w} = 58$ dB	$D_{n,w} = 59$ dB
$R_w = 51$ dB	$R_w = 52$ dB

**) Pipe wall thickness

Pipe Ø	Pipe wall thickness	Collar Size
50	1.8-2.9	CFS-C P 50/1.5"

Maximum thickness of sound decoupling: 9 mm



Zero distance between annular gap



CONTENTS

Straight plastic pipe in a rigid wall

ID

SPRIN-RW-PP-0010

FIRESTOP COLLAR

0010_01

REV
00

No scale

All units are in millimetres

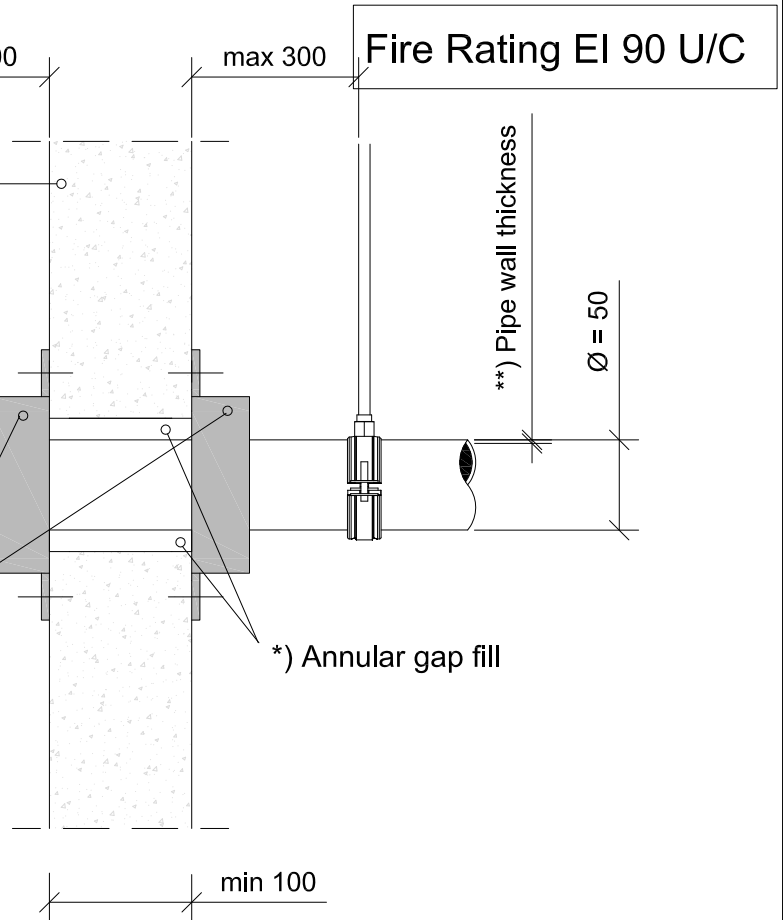
Comprise concrete, aerated concrete or masonry. min density of 450 kg/m³

PP-R pipes acc EN ISO 15874 and DIN 8077/8078

Hilti CFS-C P

*) Annular gap fill

- Approval ETA-14/0404 of 31/01/2013
- Reaction to fire acc EN 13501-1
- Fire resistance test acc 1366-3
- Installation according to Hilti instructions



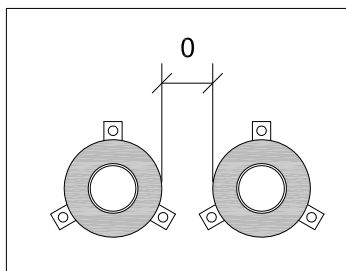
*) Annular gap fill material

Hilti Firestop Acrylic Sealant CFS-S ACR on both sides with depth > 15 mm from the surface of the wall.

Gypsum plaster or cementitious mortar over the entire thickness of the wall.

Sound Insulation for rigid wall

CFS-C ACR	Cementitious mortar
$D_{n,w} = 58 \text{ dB}$	$D_{n,w} = 59 \text{ dB}$
$R_w = 51 \text{ dB}$	$R_w = 52 \text{ dB}$



Zero distance between annular gap

***) Pipe wall thickness

Pipe Ø	Pipe wall thickness	Collar Size
50	4.6-8.3	CFS-C P 50/1.5"

Maximum thickness of sound decoupling: 9 mm



CONTENTS

Straight plastic pipe in a rigid wall

ID

SPRIN-RW-PP-0011

FIRESTOP COLLAR

0011_01

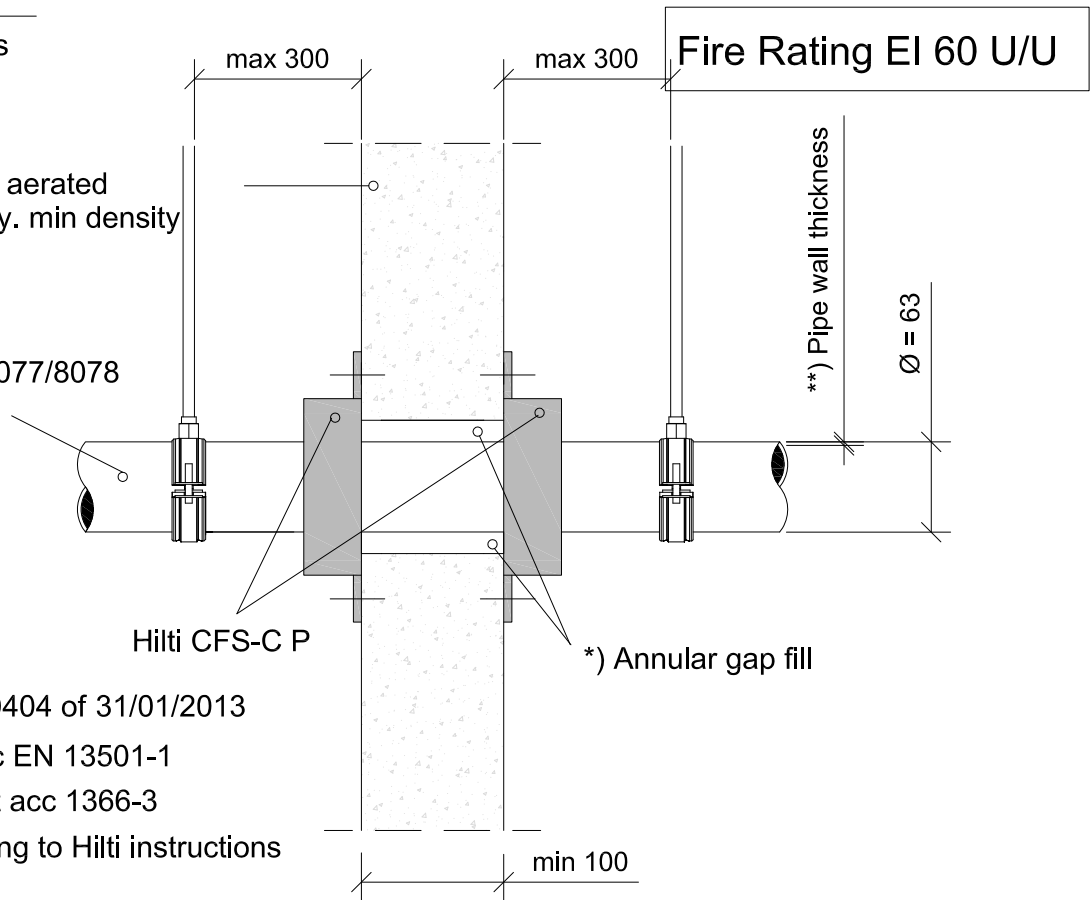
REV
00

No scale

All units are in millimetres

Comprise concrete, aerated concrete or masonry. min density of 450 kg/m³

PP pipes acc DIN 8077/8078



- Approval ETA-14/0404 of 31/01/2013
- Reaction to fire acc EN 13501-1
- Fire resistance test acc 1366-3
- Installation according to Hilti instructions

*) Annular gap fill material

Hilti Firestop Acrylic Sealant CFS-S ACR on both sides with depth > 15 mm from the surface of the wall.

Gypsum plaster or cementitious mortar over the entire thickness of the wall.

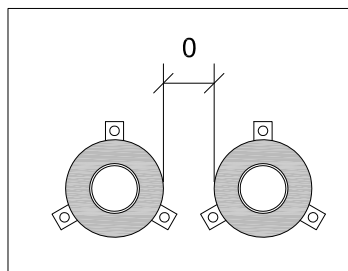
Sound Insulation for rigid wall

CFS-C ACR	Cementitious mortar
$D_{n,w} = 58 \text{ dB}$	$D_{n,w} = 59 \text{ dB}$
$R_w = 51 \text{ dB}$	$R_w = 52 \text{ dB}$

***) Pipe wall thickness

Pipe Ø	Pipe wall thickness	Collar Size
63	1.8-5.8	CFS-C P 63/2"

Maximum thickness of sound decoupling: 9 mm



Zero distance between annular gap



CONTENTS

Straight plastic pipe in a rigid wall

ID

SPRIN-RW-PP-0012

FIRESTOP COLLAR

0012_01

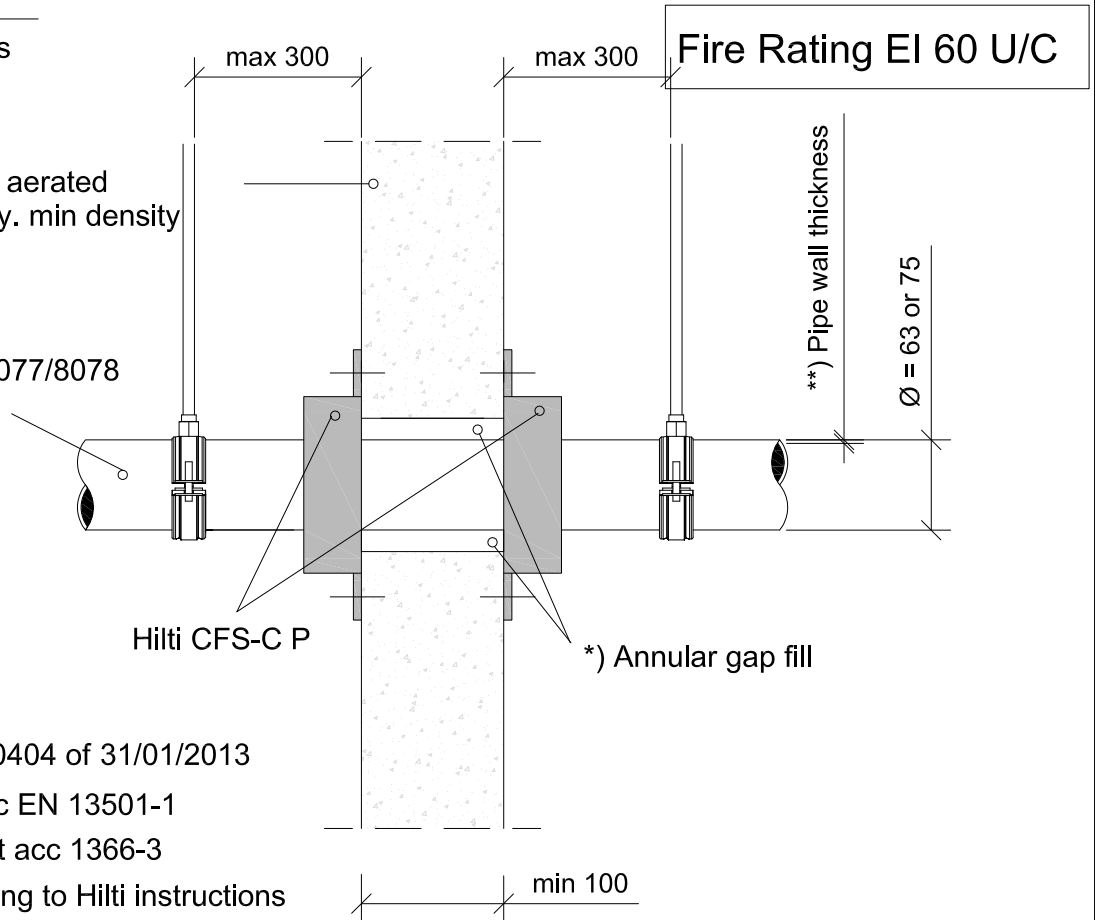
REV
00

No scale

All units are in millimetres

Comprise concrete, aerated concrete or masonry. min density of 450 kg/m³

PP pipes acc DIN 8077/8078



- Approval ETA-14/0404 of 31/01/2013
- Reaction to fire acc EN 13501-1
- Fire resistance test acc 1366-3
- Installation according to Hilti instructions

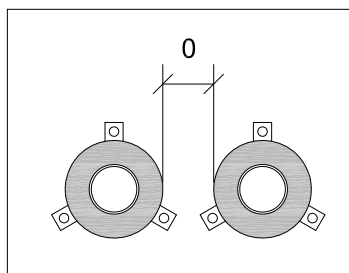
*) Annular gap fill material

Hilti Firestop Acrylic Sealant CFS-S ACR on both sides with depth > 15 mm from the surface of the wall.

Gypsum plaster or cementitious mortar over the entire thickness of the wall.

Sound Insulation for rigid wall

CFS-C ACR	Cementitious mortar
$D_{n,w} = 58 \text{ dB}$	$D_{n,w} = 59 \text{ dB}$
$R_w = 51 \text{ dB}$	$R_w = 52 \text{ dB}$



Zero distance between annular gap

**) Pipe wall thickness

Pipe Ø	Pipe wall thickness	Collar Size
63	5.8-10.5	CFS-C P 63/2"
75	1.9-6.8	CFS-C P 75/2.5"

Maximum thickness of sound decoupling: 9 mm



CONTENTS

Straight plastic pipe in a floor

ID

SPRIN-RF-PP-0013

FIRESTOP COLLAR

0013_01

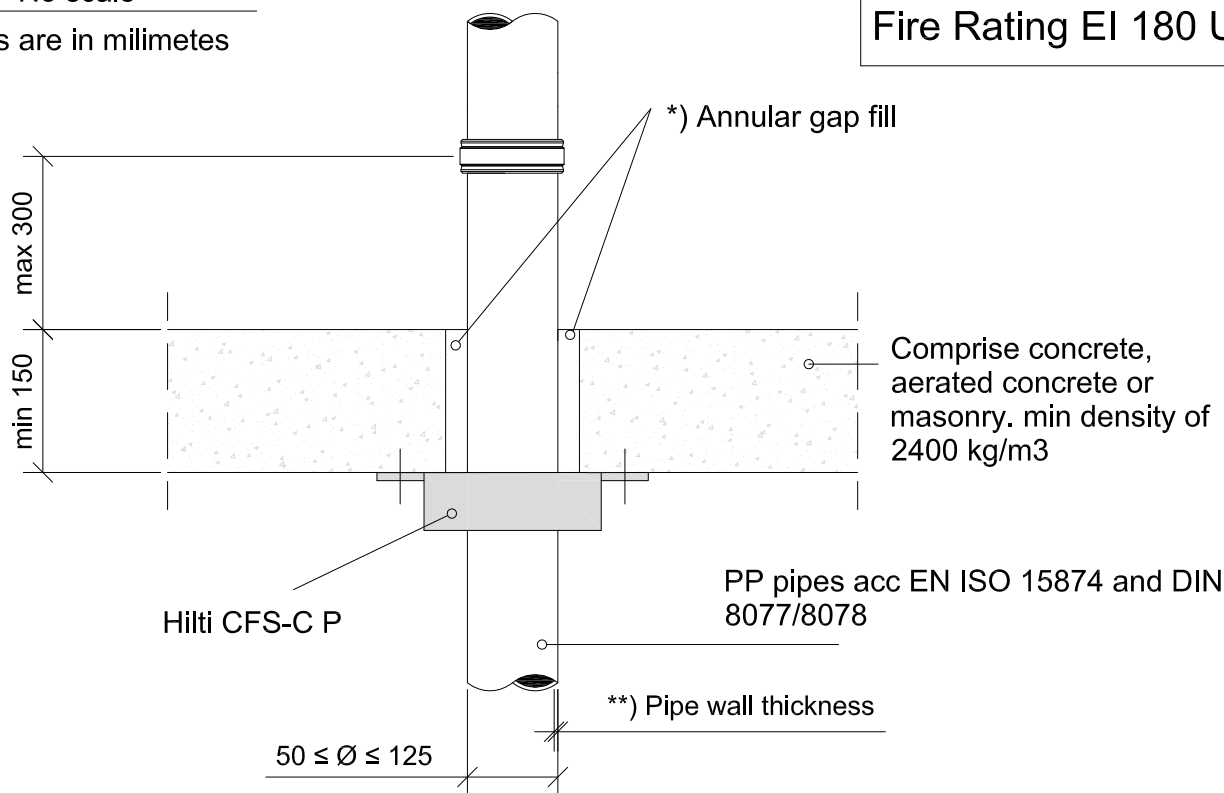
REV

00

No scale

All units are in millimetres

Fire Rating EI 180 U/U



Comprise concrete, aerated concrete or masonry. min density of 2400 kg/m³

PP pipes acc EN ISO 15874 and DIN 8077/8078

Hilti CFS-C P

**) Pipe wall thickness

$50 \leq \varnothing \leq 125$

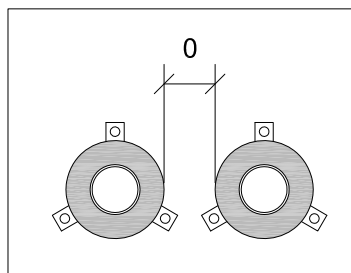
*) Annular gap fill material

Hilti Firestop Acrylic Sealant CFS-S ACR on both sides with depth > 10 mm from the surface of the wall, backfilled with mineral wool min 60 kg/m³.

Gypsum plaster or cementitious mortar over the entire thickness of the floor.

- Approval ETA-14/0404 of 31/01/2013
- Reaction to fire acc EN 13501-1
- Fire resistance test acc 1366-3
- Installation according to Hilti instructions

**) Pipe wall thickness



Zero distance between annular gap

Pipe Ø	Pipe wall thickness	Collar Size
50	1.8-2.9	CFS-C P 50/1.5"
63	1.8-5.8	CFS-C P 63/2"
75	1.9-6.8	CFS-C P 75/2.5"
90	2.2-8.2	CFS-C P 90/3"
110	2.7	CFS-C P 110/4"
125	3.1	CFS-C P 125/5"

Maximum thickness of sound decoupling: 9 mm



CONTENTS

Straight plastic pipe in a floor

ID

SPRIN-RF-PP-0014

FIRESTOP COLLAR

0014_01

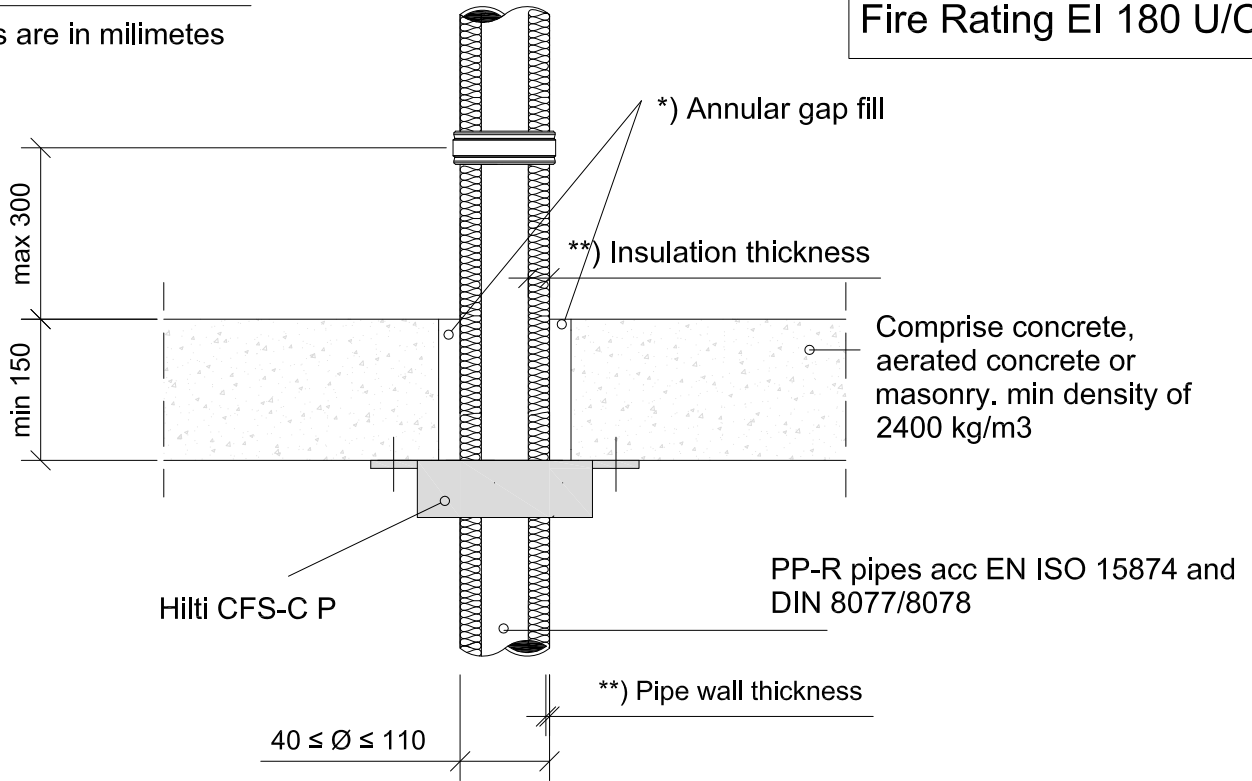
REV

00

No scale

All units are in millimetres

Fire Rating EI 180 U/C



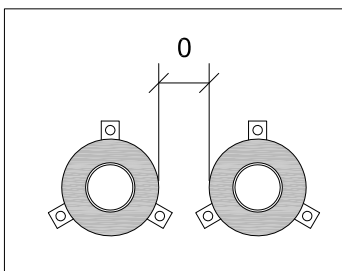
*) Annular gap fill material

Hilti Firestop Acrylic Sealant CFS-S ACR on both sides with depth > 10 mm from the surface of the wall, backfilled with mineral wool min 60 kg/m³.

Gypsum plaster or cementitious mortar over the entire thickness of the floor.

- Approval ETA-14/0404 of 31/01/2013
- Reaction to fire acc EN 13501-1
- Fire resistance test acc 1366-3
- Installation according to Hilti instructions

**) Pipe wall and insulation thickness (Armaflex AF) - arrangement Local sustained (length of insulation LD>250 mm) or continued sustained.



Zero distance between annular gap

Pipe Ø	Pipe Wall Thickness	Insulation Thickness	Collar Size
40	3.7-5.5	9	CFS-C P 63/2"
50	4.6-6.9	9	CFS-C P 75/2.5"
75	6.8-10.3	10	CFS-C P 90/3"
110	10-15.1	10	CFS-C P 125/5"



CONTENTS

Straight plastic pipe in a floor

ID

SPRIN-RF-PP-0015

FIRESTOP COLLAR

0015_01

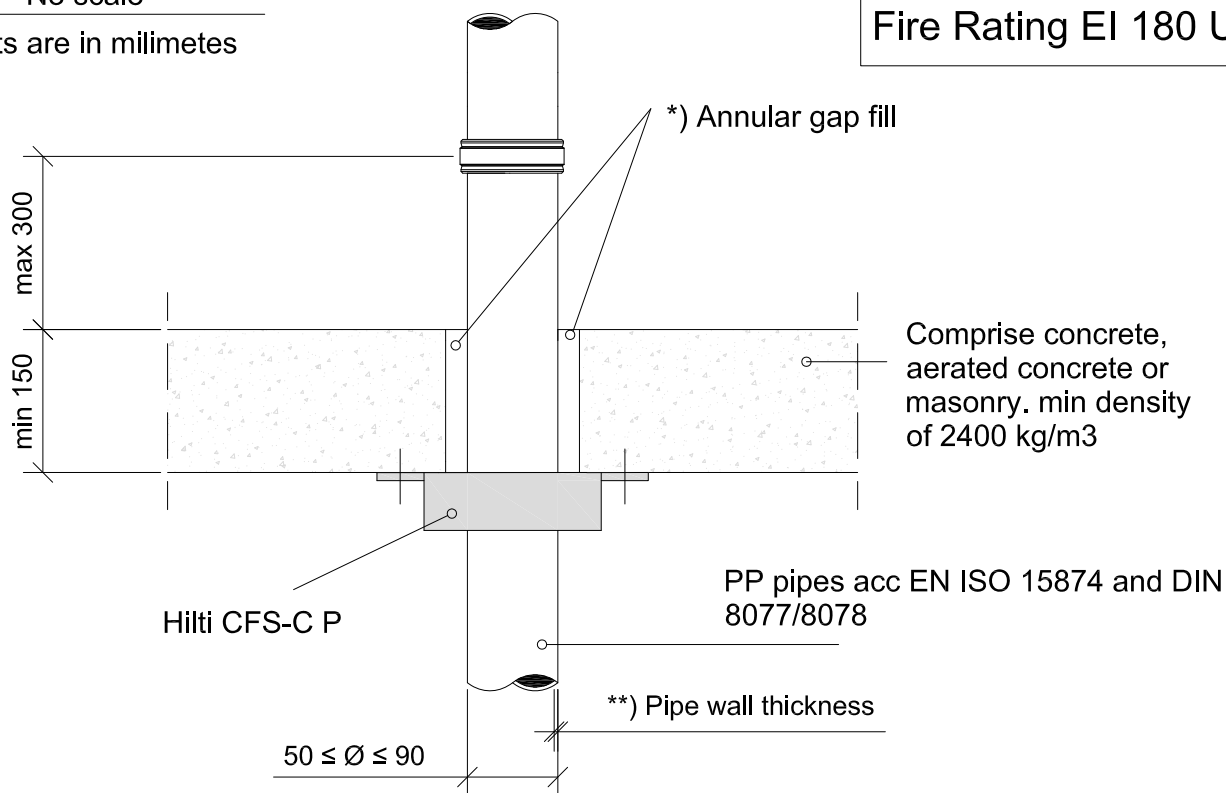
REV

00

No scale

All units are in millimetres

Fire Rating EI 180 U/C



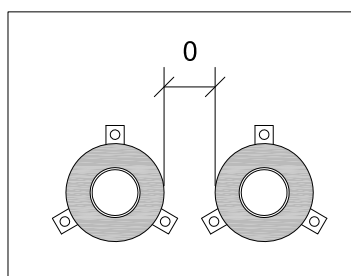
*) Annular gap fill material

Hilti Firestop Acrylic Sealant CFS-S ACR on both sides with depth > 10 mm from the surface of the wall, backfilled with mineral wool min 60 kg/m³.

Gypsum plaster or cementitious mortar over the entire thickness of the floor.

- Approval ETA-14/0404 of 31/01/2013
- Reaction to fire acc EN 13501-1
- Fire resistance test acc 1366-3
- Installation according to Hilti instructions

***) Pipe wall thickness



Zero distance between annular gap

Pipe Ø	Pipe wall thickness	Collar Size
50	4.6-8.3	CFS-C P 50/1.5"
63	5.8-10.5	CFS-C P 63/2"
75	6.8	CFS-C P 75/2.5"
90	8.2	CFS-C P 90/3"

Maximum thickness of sound decoupling: 9 mm



CONTENTS

Straight plastic pipe in a floor

ID

SPRIN-RF-PP-0016

FIRESTOP COLLAR

0016_01

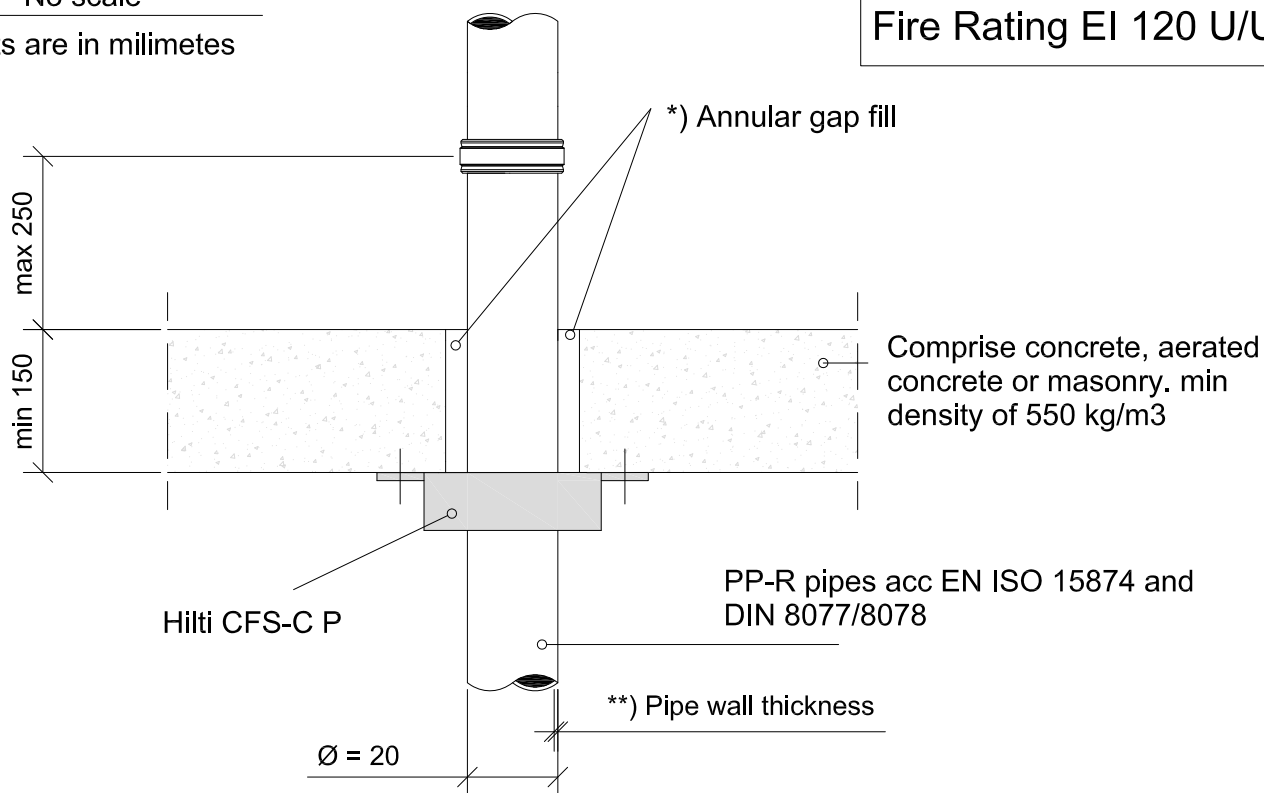
REV

00

No scale

All units are in millimetres

Fire Rating EI 120 U/U

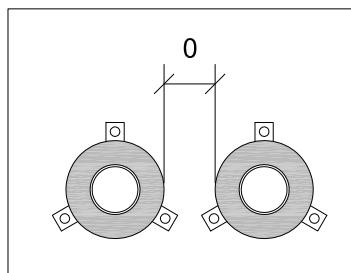


*). Annular gap fill material

Hilti Firestop Acrylic Sealant CFS-S ACR on both sides with depth > 10 mm from the surface of the wall, backfilled with mineral wool min 60 kg/m³.

Gypsum plaster or cementitious mortar over the entire thickness of the floor.

- Approval ETA-14/0404 of 31/01/2013
- Reaction to fire acc EN 13501-1
- Fire resistance test acc 1366-3
- Installation according to Hilti instructions



Zero distance between annular gap

**). Pipe wall thickness

Pipe Ø	Pipe wall thickness	Collar Size
20	1.9-3.4	CFS-C P 50/1.5"

Maximum thickness of sound decoupling: 9 mm



CONTENTS

Straight plastic pipe in a floor

ID

SPRIN-RF-PP-0017

FIRESTOP COLLAR

0017_01

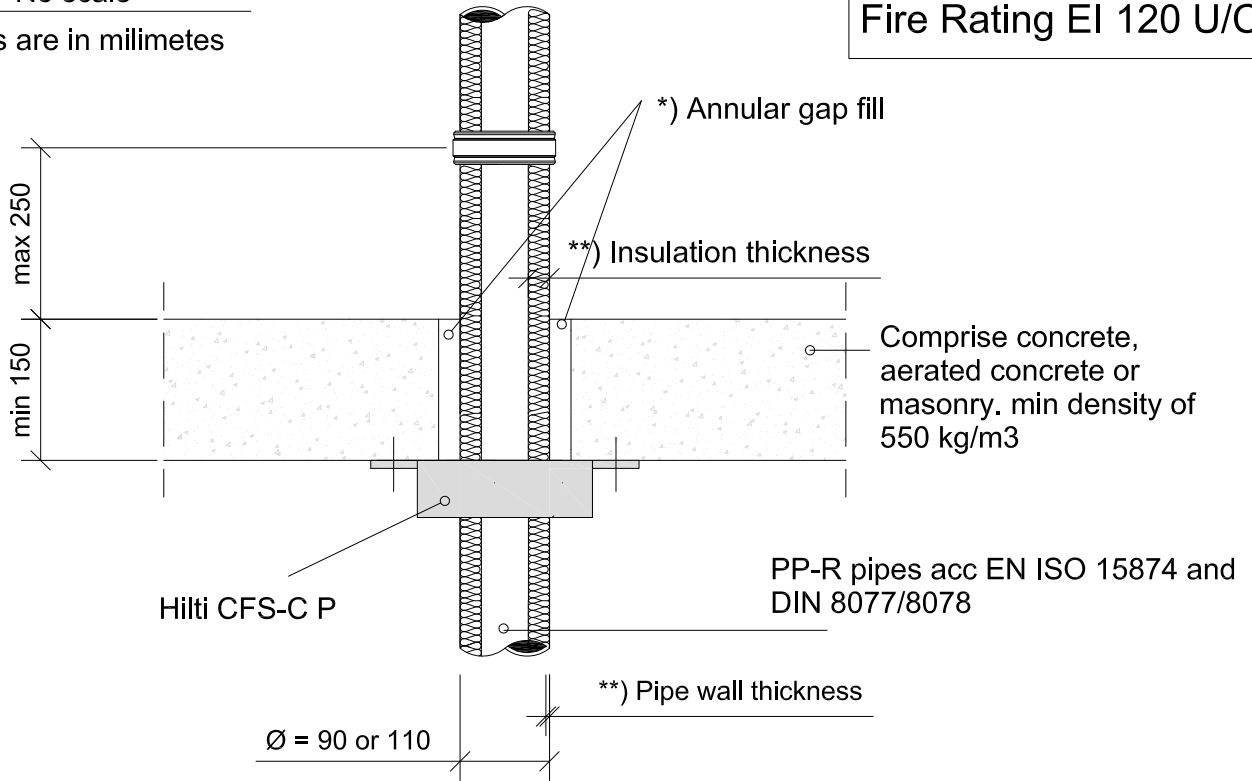
REV

00

No scale

All units are in millimetres

Fire Rating EI 120 U/C

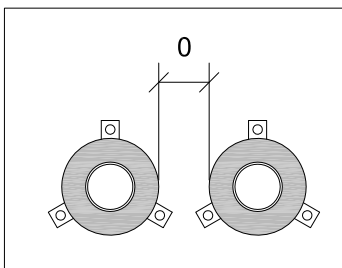


*) Annular gap fill material

Hilti Firestop Acrylic Sealant CFS-S ACR on both sides with depth > 10 mm from the surface of the wall, backfilled with mineral wool min 60 kg/m³.

Gypsum plaster or cementitious mortar over the entire thickness of the floor.

- Approval ETA-14/0404 of 31/01/2013
- Reaction to fire acc EN 13501-1
- Fire resistance test acc 1366-3
- Installation according to Hilti instructions



Zero distance between annular gap

**) Pipe wall and insulation thickness (Armaflex AF) - arrangement Local sustained (length of insulation LD>250 mm) or continued sustained.

Pipe Ø	Pipe Wall Thickness	Insulation Thickness	Collar Size
90	12.3	22.5	CFS-C P 160/6"
110	15.1	10.0	CFS-C P 125/5"



CONTENTS

Straight plastic pipe in a floor

ID

SPRIN-RF-PP-0018

FIRESTOP COLLAR

0018_01

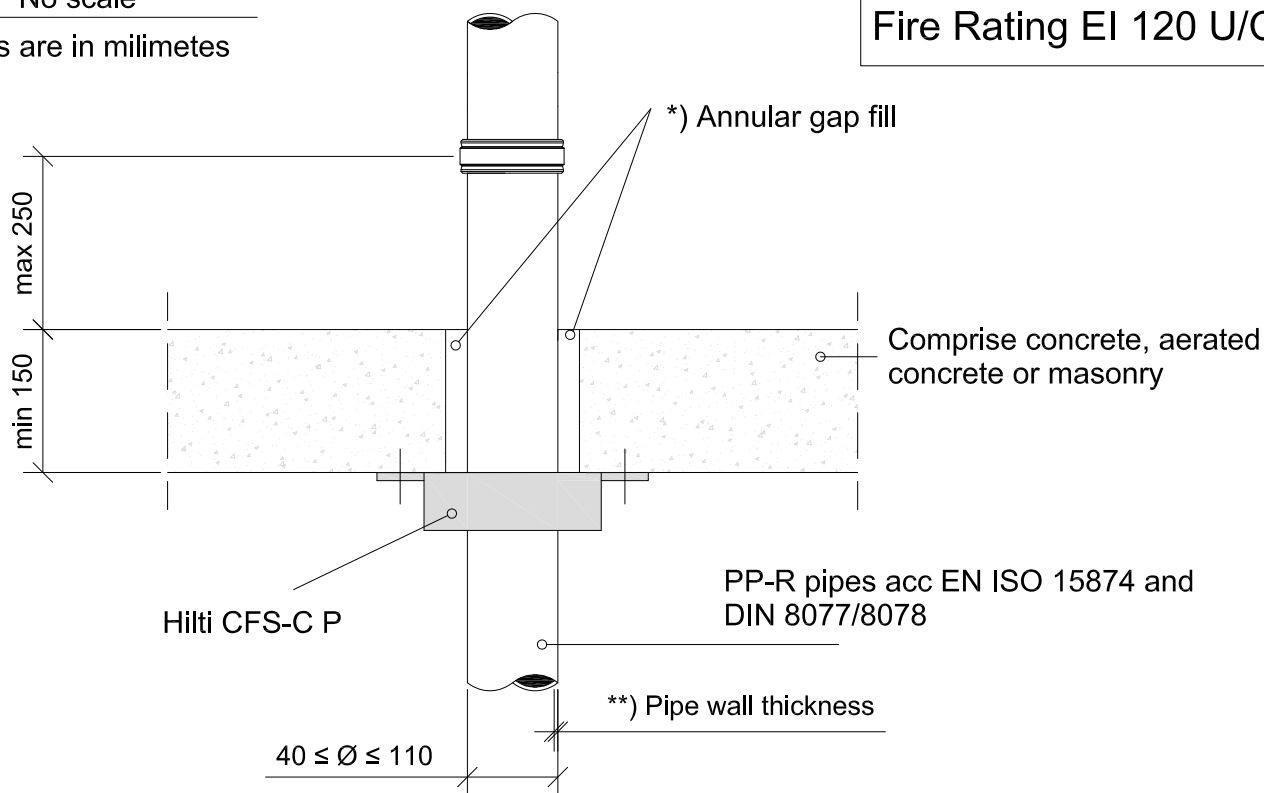
REV

00

No scale

All units are in milimetres

Fire Rating EI 120 U/C



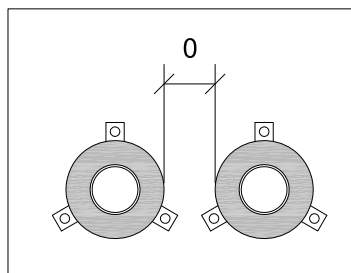
*). Annular gap fill material

Hilti Firestop Acrylic Sealant CFS-S ACR on both sides with depth > 10 mm from the surface of the wall, backfilled with mineral wool min 60 kg/m³.

Gypsum plaster or cementitious mortar over the entire thickness of the floor.

- Approval ETA-14/0404 of 31/01/2013
- Reaction to fire acc EN 13501-1
- Fire resistance test acc 1366-3
- Installation according to Hilti instructions

**). Pipe wall thickness



Zero distance between annular gap

Density of Base material	Pipe Ø	Pipe wall thickness	Collar Size
> 550 kg/m ³	40	3.7-5.5	CFS-C P 50/1.5"
	50	4.6-6.9	CFS-C P 50/1.5"
	75	6.8	CFS-C P 75/2.5"
	90	12.3	CFS-C P 90/3"
	110	10-15.1	CFS-C P 110/4"
> 2400 kg/m ³	40	3.7-5.5	CFS-C P 50/1.5"
	75	6.8-12.5	CFS-C P 75/2.5"
	90	8.2-15	CFS-C P 90/3"
	110	10-15.1	CFS-C P 110/4"

Maximum thickness of sound decoupling: 9 mm