

Schémas d'applications pour le collier CFS-C P



Applications pour drainage eaux pluviales en voile épaisseur 100 mm

- | | |
|---|---------------------|
| • Tube plastique PE en cloison épaisseur 100 mm | ROOF-FW-PP-0002/3/6 |
| • Tube plastique PP en cloison épaisseur 100 mm | ROOF-FW-PP-0012-20 |
| • Tube plastique PVC en cloison épaisseur 100 mm | ROOF-FW-PP-0021 |
| • Tube plastique PE en voile rigide épaisseur 100 mm | ROOF-RW-PP-0027/28 |
| • Tube plastique PP en voile rigide épaisseur 100 mm | ROOF-RW-PP-0038-46 |
| • Tube plastique PVC en voile rigide épaisseur 100 mm | ROOF-RW-PP-0049 |

*) Tous les schémas sont également disponibles sur demande en format DWG pour faciliter l'insertion sur des plans.



CONTENTS

Straight plastic pipe in a flexible wall

ID

ROOF-FW-PP-0002

FIRESTOP COLLAR

0002_01

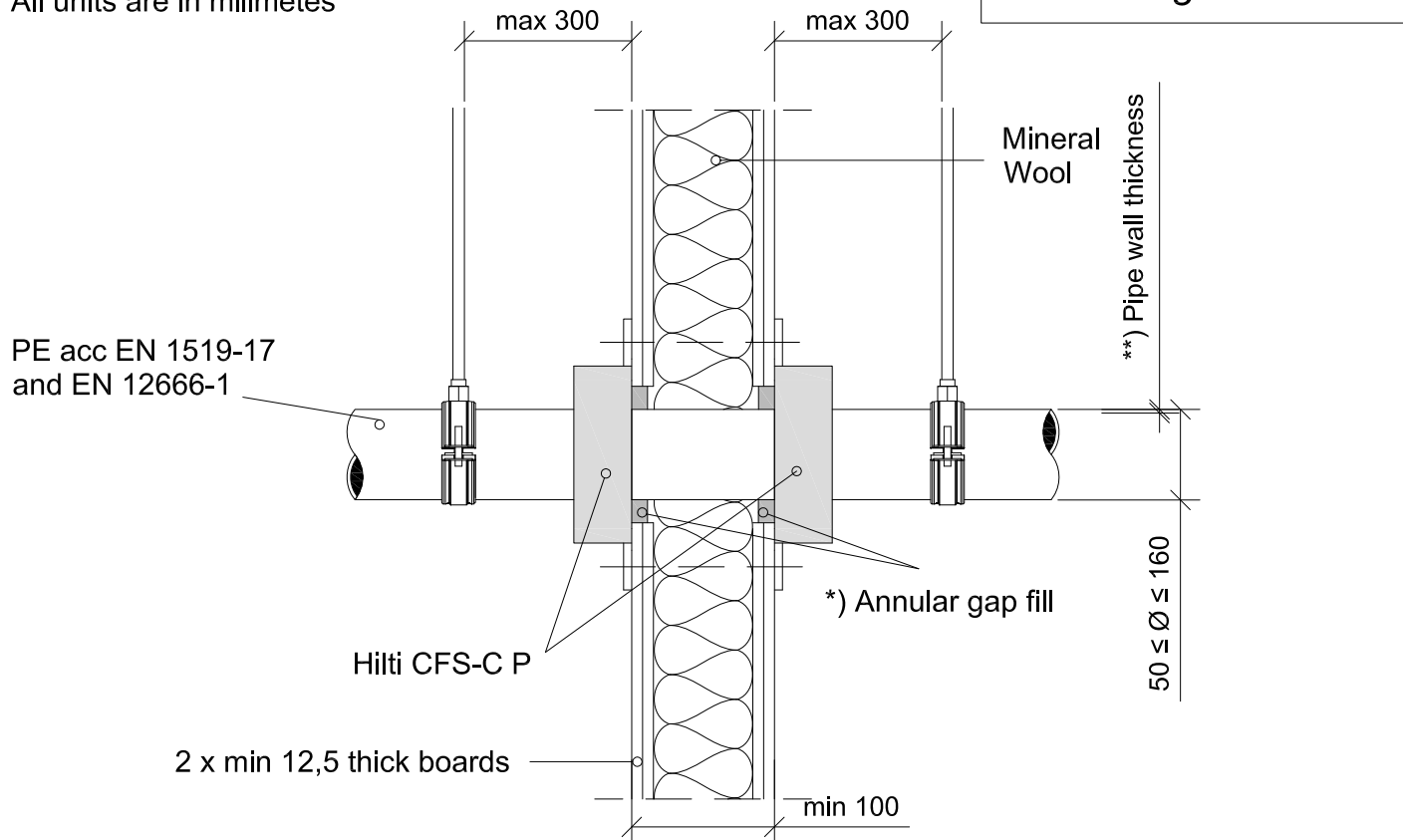
REV

00

No scale

All units are in milimeters

Fire Rating EI 120 U/U



- Approval ETA-14/0404 of 31/01/2013
- Reaction to fire acc EN 13501-1
- Fire resistance test acc 1366-3
- Installation according to Hilti instructions

Sound Insulation for flexible wall

$$D_{n,w} = 60 \text{ dB}$$

$$R_w = 53 \text{ dB}$$

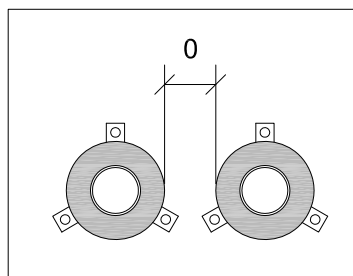
*) Annular gap fill material

Hilti Firestop Acrylic Sealant CFS-S ACR on both sides with depth > 25 mm from the surface of the wall.

Gypsum plaster or cementitious mortar over the entire thickness of the wall.

***) Pipe wall thickness

Pipe Ø	Inner Pipe Ø	Collar Size
50	3.0	CFS-C P 50/1.5"
63	3.0	CFS-C P 63/2"
75	3.0	CFS-C P 75/2.5"
90	3.5	CFS-C P 90/3"
110	4.2	CFS-C P 110/4"
125	4.8	CFS-C P 125/5"
160	6.2	CFS-C P 160/6"



Zero distance between annular gap

Maximum thickness of sound decoupling: 5 mm



CONTENTS

Straight plastic pipe in a flexible wall

ID

ROOF-FW-PP-0003

FIRESTOP COLLAR

0003_01

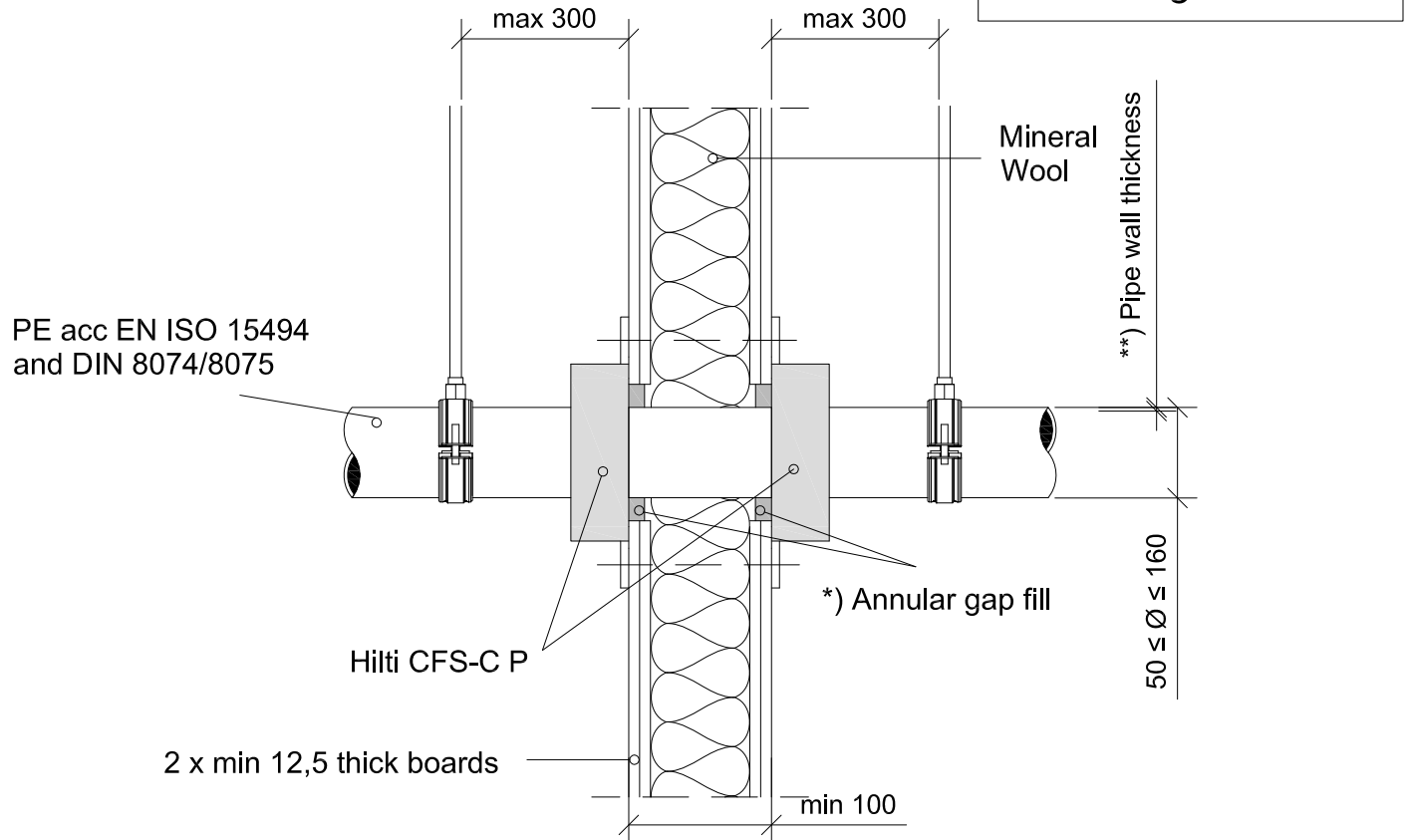
REV

00

No scale

All units are in millimetres

Fire Rating EI 120 U/U



- Approval ETA-14/0404 of 31/01/2013
- Reaction to fire acc EN 13501-1
- Fire resistance test acc 1366-3
- Installation according to Hilti instructions

Sound Insulation for flexible wall

$$D_{n,w} = 60 \text{ dB}$$

$$R_w = 53 \text{ dB}$$

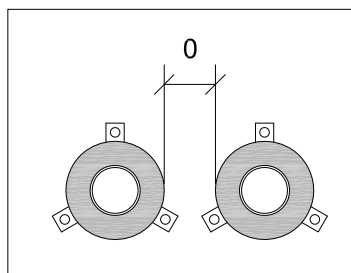
*) Annular gap fill material

Hilti Firestop Acrylic Sealant CFS-S ACR on both sides with depth > 25 mm from the surface of the wall.

Gypsum plaster or cementious mortar over the entire thickness of the wall.

** Pipe wall thickness

Pipe Ø	Inner Pipe Ø	Collar Size
50	2.9-4.6	CFS-C P 50/1.5"
63	3.6-5.8	CFS-C P 63/2"
75	1.9-6.8	CFS-C P 75/2.5"
90	2.2-8.2	CFS-C P 90/3"
110	2.7-10.0	CFS-C P 110/4"
125	3.1-7.1	CFS-C P 125/5"
160	4.0-9.1	CFS-C P 160/6"



Zero distance between annular gap

Maximum thickness of sound decoupling: 5 mm



CONTENTS

Straight plastic pipe in a flexible wall

ID

ROOF-FW-PP-0006

FIRESTOP COLLAR

0006_01

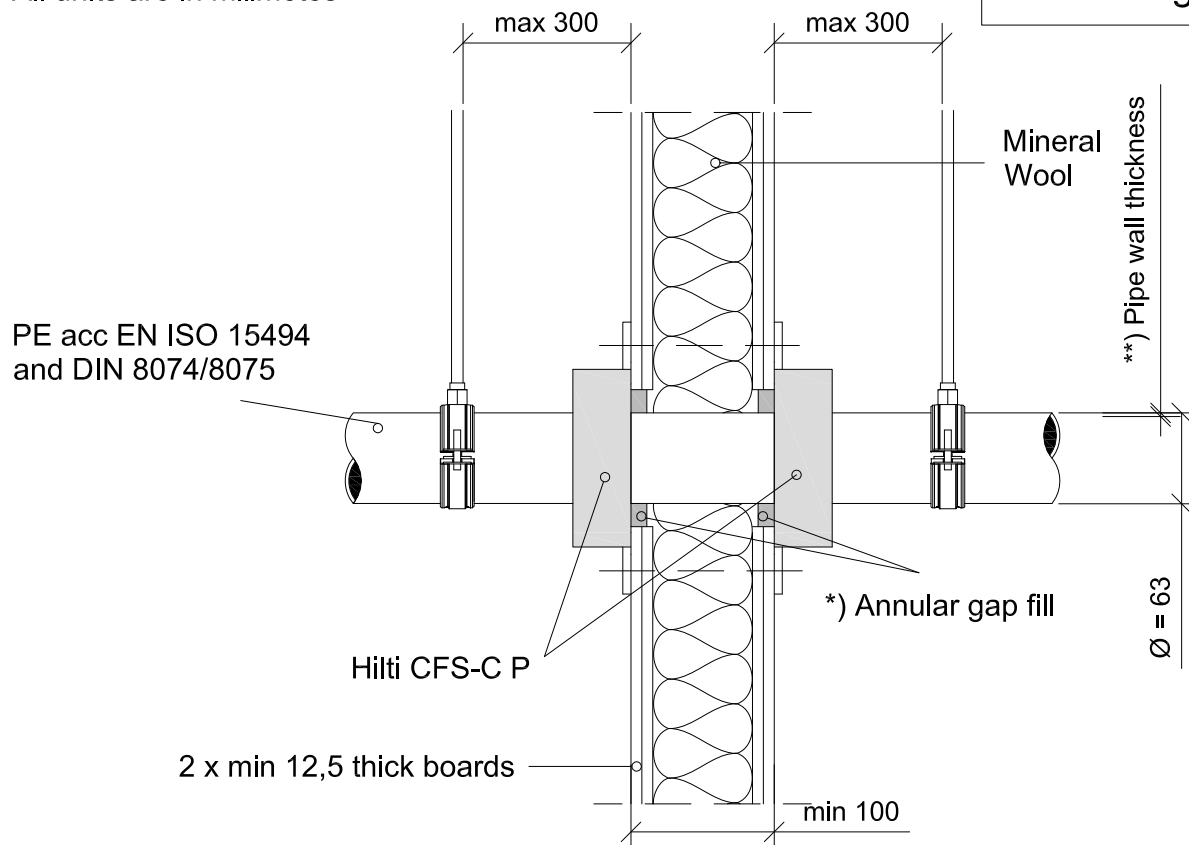
REV

00

No scale

All units are in millimetres

Fire Rating EI 90 U/U



*) Annular gap fill material

Hilti Firestop Acrylic Sealant CFS-S ACR on both sides with depth > 25 mm from the surface of the wall.

Gypsum plaster or cementitious mortar over the entire thickness of the wall.

Sound Insulation for flexible wall

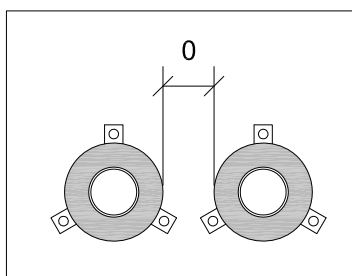
$$D_{n,w} = 60 \text{ dB}$$

$$R_w = 53 \text{ dB}$$

**) Pipe wall thickness

Pipe Ø	Inner Pipe Ø	Collar Size
63	1.8-5.8	CFS-C P 63/2.0"

Maximum thickness of sound decoupling: 5 mm



Zero distance between annular gap

- Approval ETA-14/0404 of 31/01/2013
- Reaction to fire acc EN 13501-1
- Fire resistance test acc 1366-3
- Installation according to Hilti instructions



CONTENTS

Straight plastic pipe in a flexible wall

ID

ROOF-FW-PP-0012

FIRESTOP COLLAR

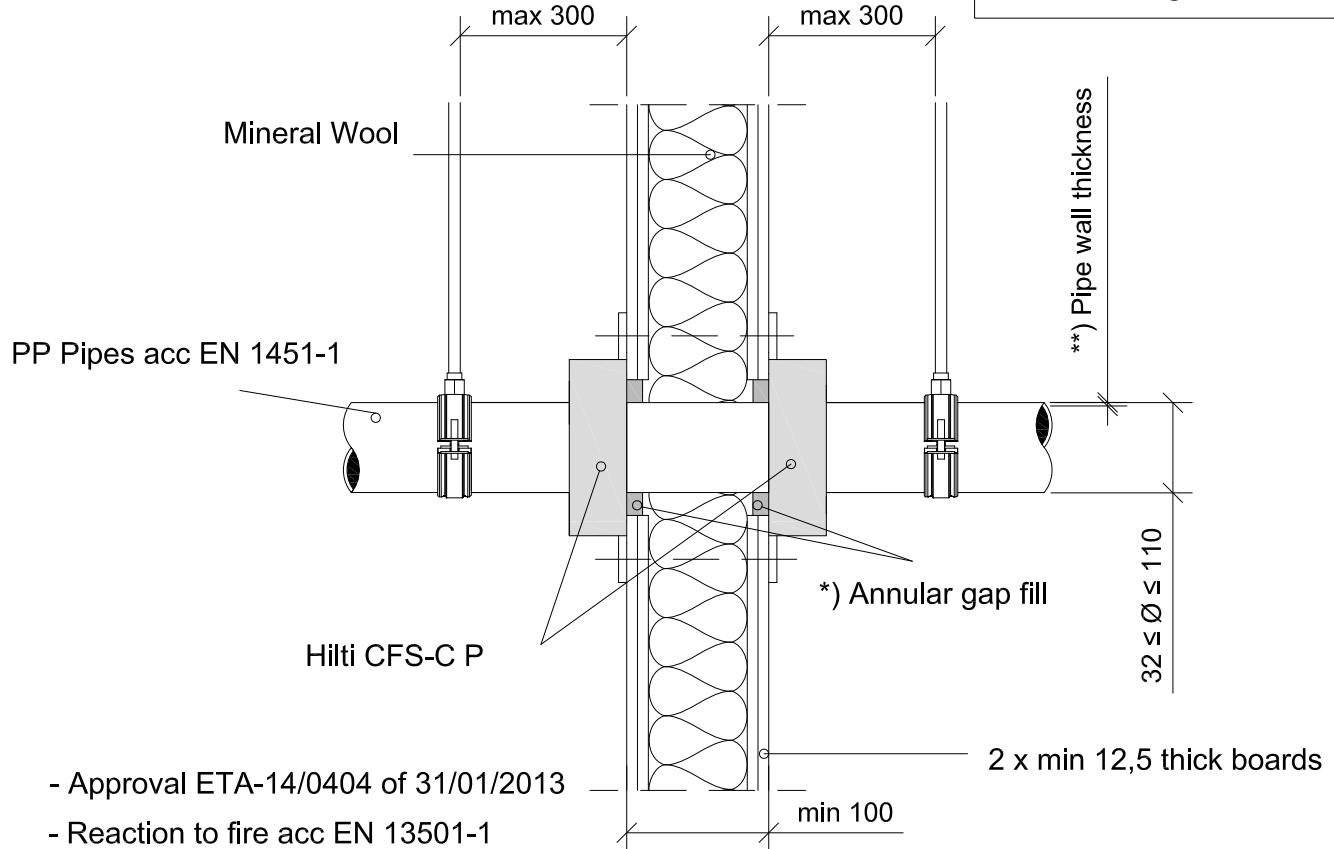
0012_01

REV
00

No scale

All units are in millimetres

Fire Rating EI 120 U/U



- Approval ETA-14/0404 of 31/01/2013
- Reaction to fire acc EN 13501-1
- Fire resistance test acc 1366-3
- Installation according to Hilti instructions

Sound Insulation for flexible wall

$$D_{n,w} = 60 \text{ dB}$$

$$R_w = 53 \text{ dB}$$

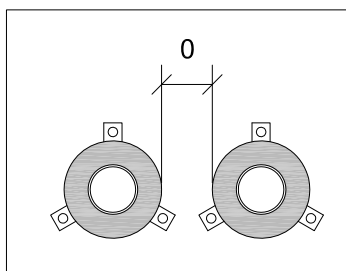
*) Annular gap fill material

Hilti Firestop Acrylic Sealant CFS-S ACR on both sides with depth > 25 mm from the surface of the wall.

Gypsum plaster or cementitious mortar over the entire thickness of the wall.

**) Pipe wall thickness

Pipe Ø	Pipe wall thickness	Collar Size
32	1.8	CFS-C P 50/1.5"
40	1.8	CFS-C P 50/1.5"
50	1.8-2.0	CFS-C P 50/1.5"
70	4.5	CFS-C P 75/2.5"
75	1.8-3.8	CFS-C P 75/2.5"
90	2.8-4.5	CFS-C P 90/3"
110	2.7-5.3	CFS-C P 110/4"



Zero distance between annular gap

Maximum thickness of sound decoupling: 9 mm



CONTENTS

Straight plastic pipe in a flexible wall

ID

ROOF-FW-PP-0013

FIRESTOP COLLAR

0013_01

REV

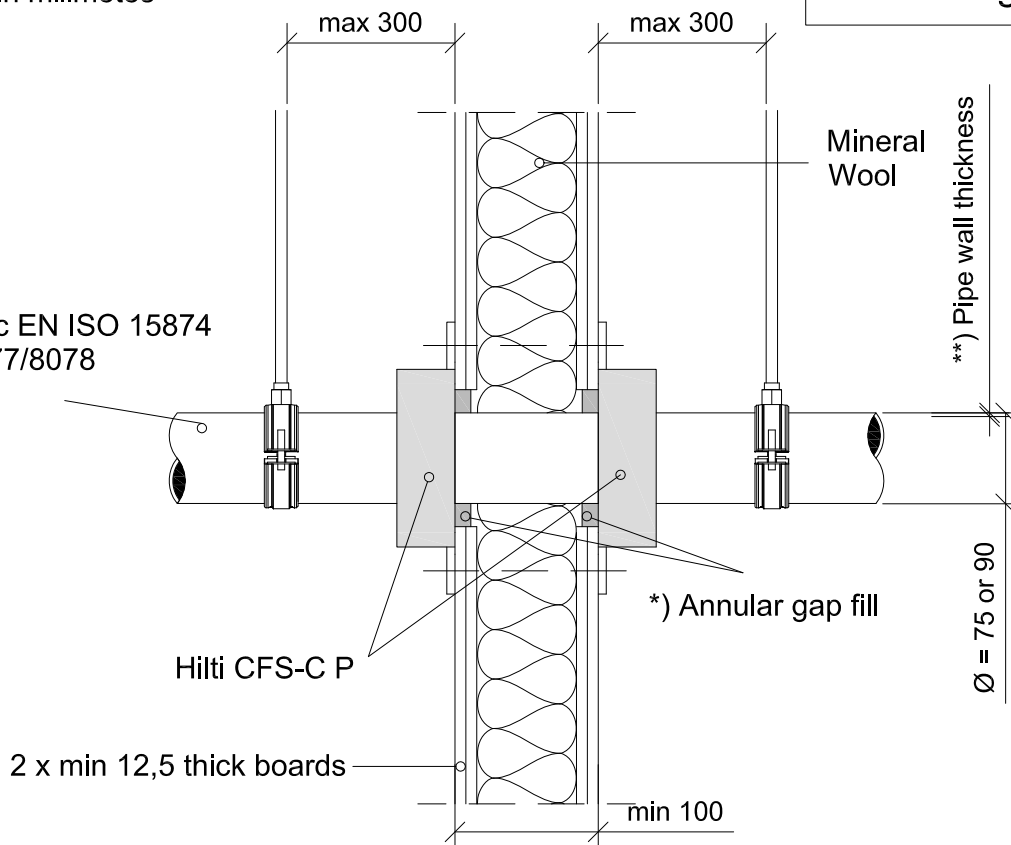
00

No scale

All units are in millimetres

Fire Rating EI 120 U/U

PP pipes acc EN ISO 15874 and DIN 8077/8078



*) Annular gap fill material

Hilti Firestop Acrylic Sealant CFS-S ACR on both sides with depth > 25 mm from the surface of the wall.

Gypsum plaster or cementitious mortar over the entire thickness of the wall.

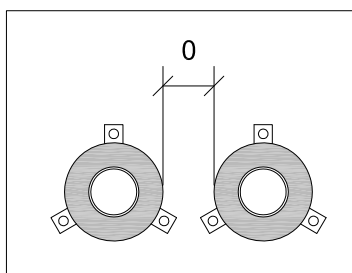
- Approval ETA-14/0404 of 31/01/2013
- Reaction to fire acc EN 13501-1
- Fire resistance test acc 1366-3
- Installation according to Hilti instructions

Sound Insulation for flexible wall

$$D_{n,w} = 60 \text{ dB}$$

$$R_w = 53 \text{ dB}$$

**) Pipe wall thickness



Zero distance between annular gap

Pipe Ø	Pipe wall thickness	Collar Size
75	6.8-12.5	CFS-C P 75/2.5"
90	8.2-15.0	CFS-C P 90/3"

Maximum thickness of sound decoupling: 9 mm



CONTENTS

Straight plastic pipe in a flexible wall

ID

ROOF-FW-PP-0014

FIRESTOP COLLAR

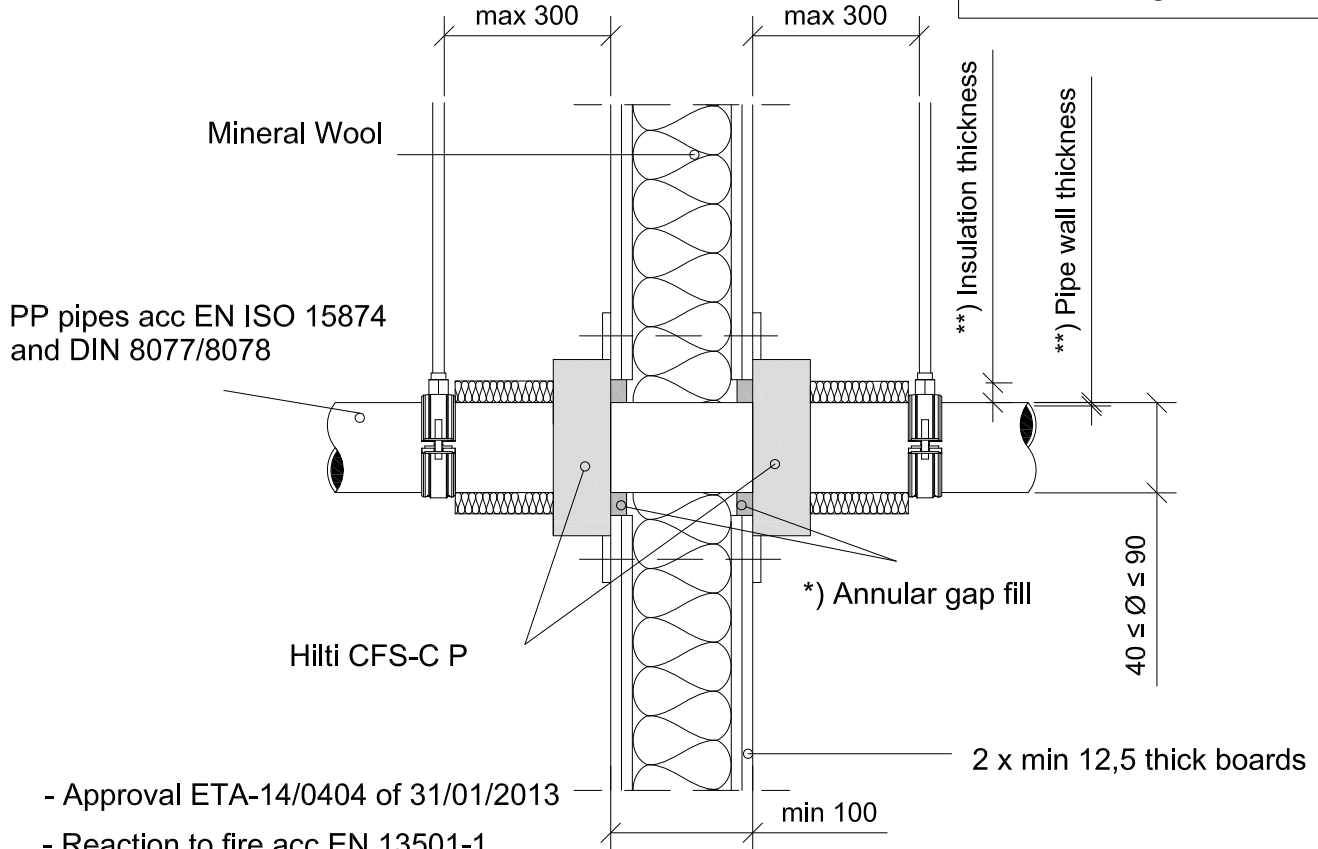
0014_01

REV
00

No scale

All units are in millimetres

Fire Rating EI 120 U/C



- Approval ETA-14/0404 of 31/01/2013
- Reaction to fire acc EN 13501-1
- Fire resistance test acc 1366-3
- Installation according to Hilti instructions

Sound Insulation for flexible wall

*) Annular gap fill material

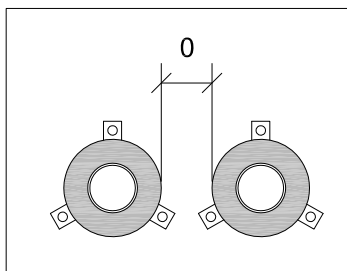
Hilti Firestop Acrylic Sealant CFS-S ACR on both sides with depth > 25 mm from the surface of the wall.

Gypsum plaster or cementitious mortar over the entire thickness of the wall.

$$D_{n,w} = 60 \text{ dB}$$

$$R_w = 53 \text{ dB}$$

**) Pipe wall and insulation thickness (Armaflex AF) arrangement Local Insulation (length of insulation > 250 mm) or Continued insulation



Zero distance between annular gap

Pipe Ø	Pipe Wall Thickness	Insulation Thickness	Collar Size
40	3.7-5.5	9.0	CFS-C P 50/1.5"
50	4.6-6.9	9.0	CFS-C P 50/1.5"
75	6.8-10.3	9.0	CFS-C P 75/2.5"
90	10.0-15.1	10	CFS-C P 90/3"



CONTENTS

Straight plastic pipe in a flexible wall

ID

ROOF-FW-PP-0015

FIRESTOP COLLAR

0015_01

REV

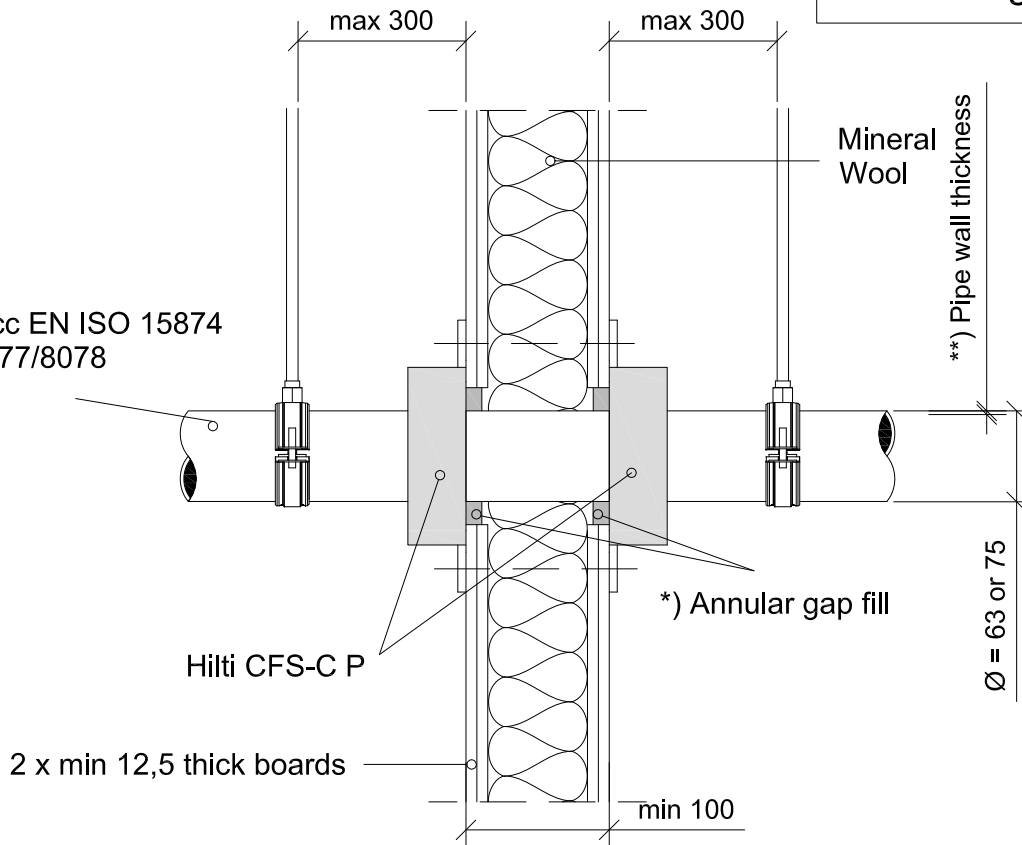
00

No scale

All units are in millimetres

Fire Rating EI 120 U/C

PP pipes acc EN ISO 15874 and DIN 8077/8078



*) Annular gap fill material

Hilti Firestop Acrylic Sealant CFS-S ACR on both sides with depth > 15 mm from the surface of the wall.

Gypsum plaster or cementitious mortar over the entire thickness of the wall.

- Approval ETA-14/0404 of 31/01/2013

- Reaction to fire acc EN 13501-1

- Fire resistance test acc 1366-3

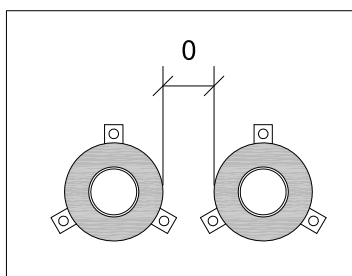
- Installation according to Hilti instructions

Sound Insulation for flexible wall

$D_{n,w} = 60 \text{ dB}$

$R_w = 53 \text{ dB}$

** Pipe wall thickness



Zero distance between annular gap

Pipe Ø	Pipe wall thickness	Collar Size
63	10.5	CFS-C P 63/2"
75	6.8	CFS-C P 75/2.5"

Maximum thickness of sound decoupling: 9 mm



CONTENTS

Straight plastic pipe in a flexible wall

ID

ROOF-FW-PP-0016

FIRESTOP COLLAR

0016_01

REV

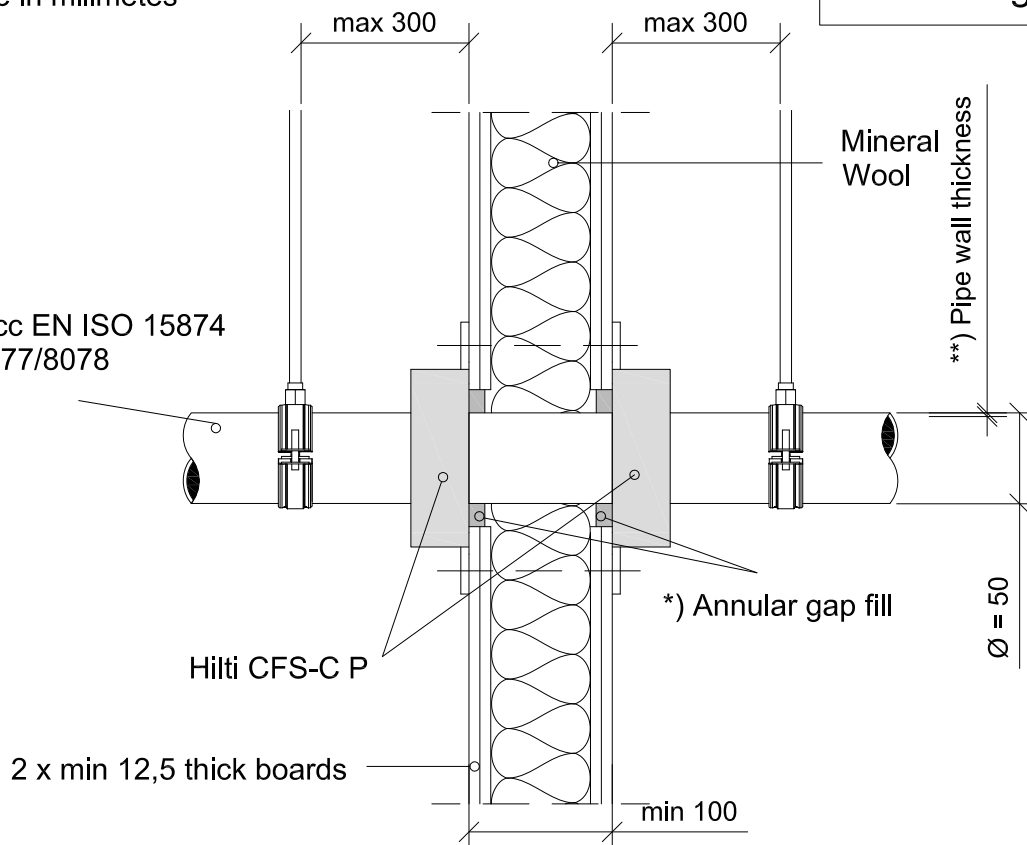
00

No scale

All units are in millimetres

Fire Rating EI 90 U/U

PP pipes acc EN ISO 15874 and DIN 8077/8078



*) Annular gap fill material

Hilti Firestop Acrylic Sealant CFS-S ACR on both sides with depth > 25 mm from the surface of the wall.

Gypsum plaster or cementitious mortar over the entire thickness of the wall.

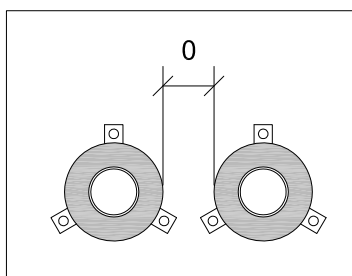
- Approval ETA-14/0404 of 31/01/2013
- Reaction to fire acc EN 13501-1
- Fire resistance test acc 1366-3
- Installation according to Hilti instructions

Sound Insulation for flexible wall

$$D_{n,w} = 60 \text{ dB}$$

$$R_w = 53 \text{ dB}$$

***) Pipe wall thickness



Zero distance between annular gap

Pipe Ø	Pipe wall thickness	Collar Size
50	1.8-2.9	CFS-C P 50/1.5"

Maximum thickness of sound decoupling: 9 mm



CONTENTS

Straight plastic pipe in a flexible wall

ID

ROOF-FW-PP-0017

FIRESTOP COLLAR

0017_01

REV

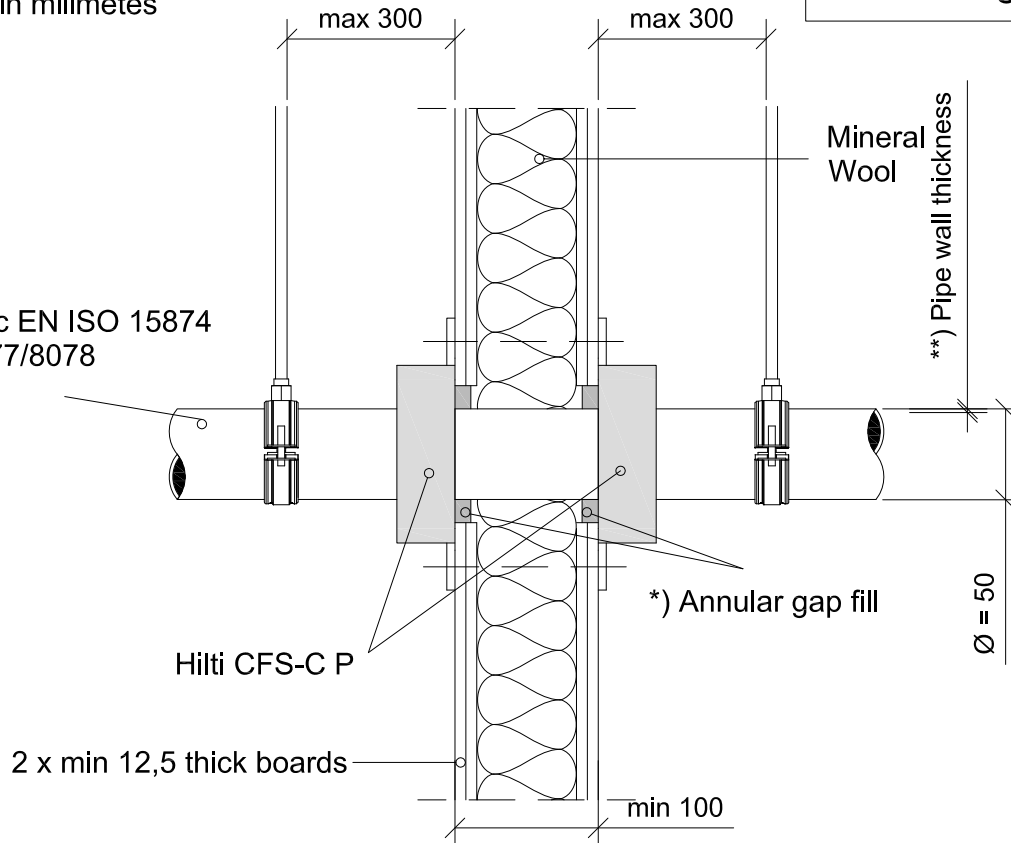
00

No scale

All units are in millimetres

Fire Rating EI 90 U/C

PP pipes acc EN ISO 15874 and DIN 8077/8078



*) Annular gap fill material

Hilti Firestop Acrylic Sealant CFS-S ACR on both sides with depth > 25 mm from the surface of the wall.

Gypsum plaster or cementitious mortar over the entire thickness of the wall.

- Approval ETA-14/0404 of 31/01/2013
- Reaction to fire acc EN 13501-1
- Fire resistance test acc 1366-3
- Installation according to Hilti instructions

Sound Insulation for flexible wall

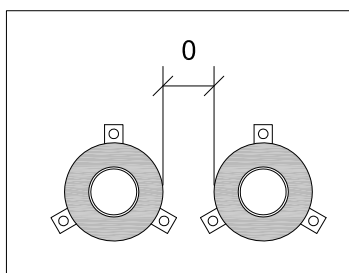
$$D_{n,w} = 60 \text{ dB}$$

$$R_w = 53 \text{ dB}$$

**.) Pipe wall thickness

Pipe Ø	Inner pipe Ø	Collar Size
50	4.6-8.3	CFS-C P 50/1.5"

Maximum thickness of sound decoupling: 9 mm



Zero distance between annular gap



CONTENTS

Straight plastic pipe in a flexible wall

ID

ROOF-FW-PP-0018

FIRESTOP COLLAR

0018_01

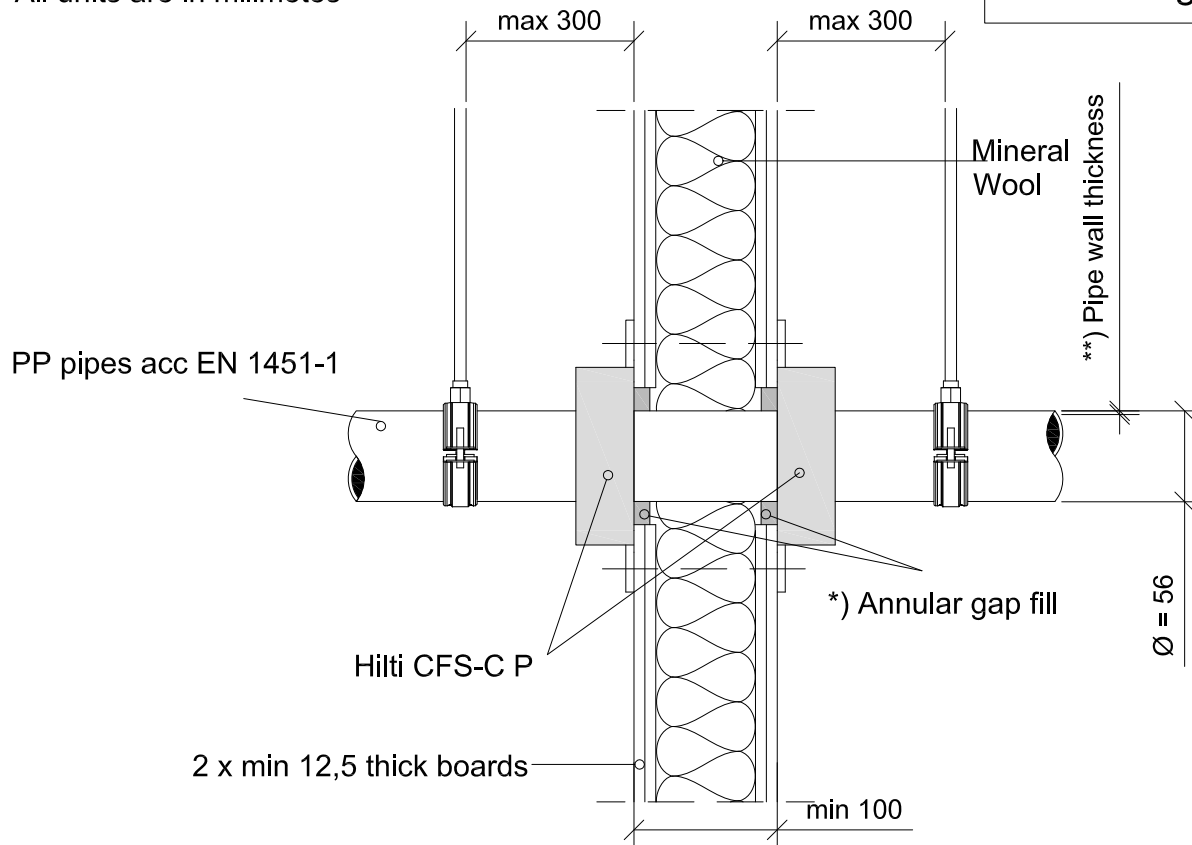
REV

00

No scale

All units are in millimetres

Fire Rating EI 90 U/C



*) Annular gap fill material

Hilti Firestop Acrylic Sealant CFS-S ACR on both sides with depth > 25 mm from the surface of the wall.

Gypsum plaster or cementitious mortar over the entire thickness of the wall.

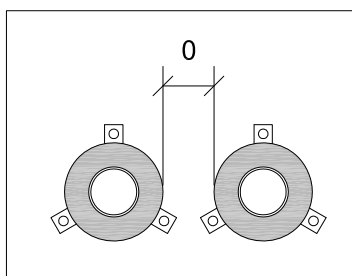
- Approval ETA-14/0404 of 31/01/2013
- Reaction to fire acc EN 13501-1
- Fire resistance test acc 1366-3
- Installation according to Hilti instructions

Sound Insulation for flexible wall

$$D_{n,w} = 60 \text{ dB}$$

$$R_w = 53 \text{ dB}$$

**) Pipe wall thickness



Zero distance between annular gap

Pipe Ø	Pipe wall thickness	Collar Size
56	4.0	CFS-C P 63/2"

Maximum thickness of sound decoupling: 9 mm



CONTENTS

Straight plastic pipe in a flexible wall

ID

ROOF-FW-PP-0019

FIRESTOP COLLAR

0019_01

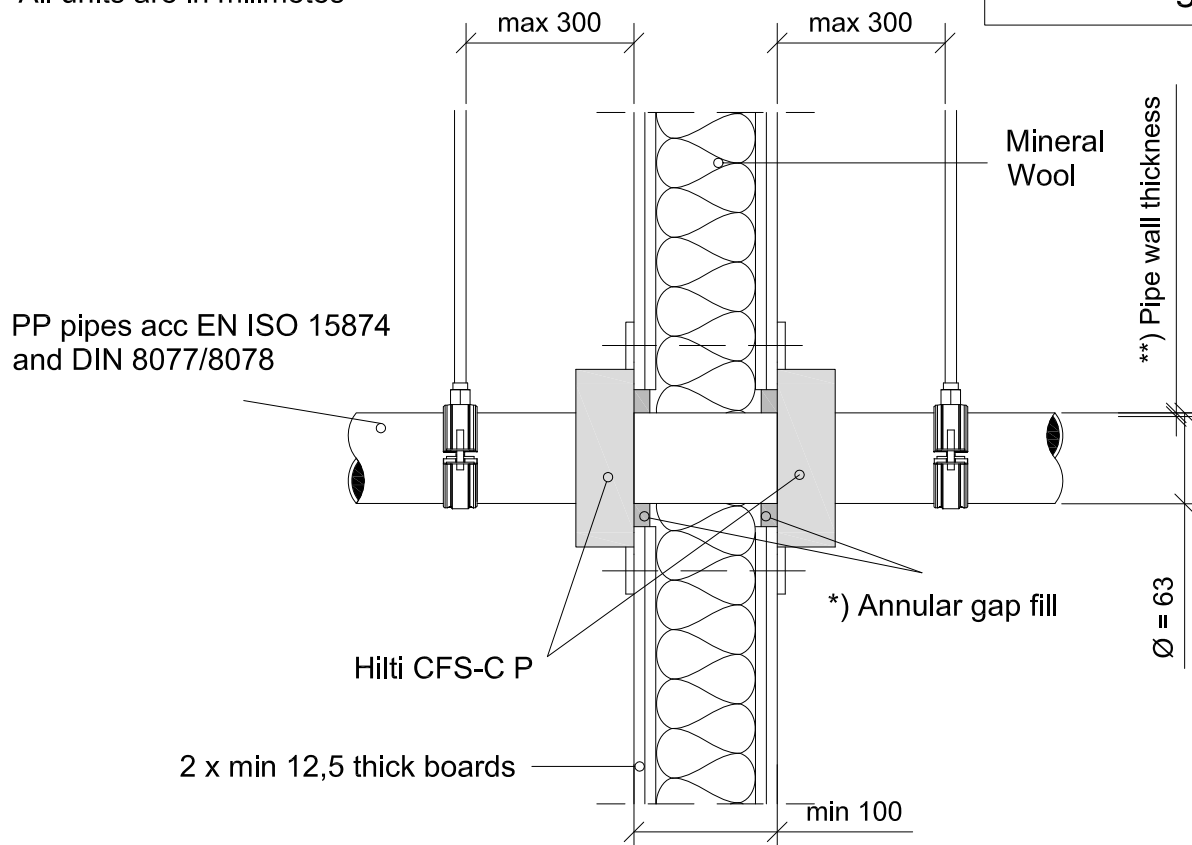
REV

00

No scale

All units are in millimetres

Fire Rating EI 60 U/U



PP pipes acc EN ISO 15874 and DIN 8077/8078

- Approval ETA-14/0404 of 31/01/2013
- Reaction to fire acc EN 13501-1
- Fire resistance test acc 1366-3
- Installation according to Hilti instructions

*) Annular gap fill material

Hilti Firestop Acrylic Sealant CFS-S ACR on both sides with depth > 25 mm from the surface of the wall.

Gypsum plaster or cementitious mortar over the entire thickness of the wall.

Sound Insulation for flexible wall

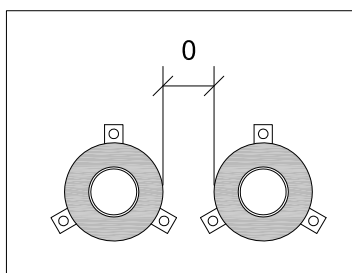
$$D_{n,w} = 60 \text{ dB}$$

$$R_w = 53 \text{ dB}$$

**) Pipe wall thickness

Pipe Ø	Pipe wall thickness	Collar Size
63	1.8-5.8	CFS-C P 63/2"

Maximum thickness of sound decoupling: 9 mm



Zero distance between annular gap



CONTENTS

Straight plastic pipe in a flexible wall

ID

ROOF-FW-PP-0020

FIRESTOP COLLAR

0020_01

REV

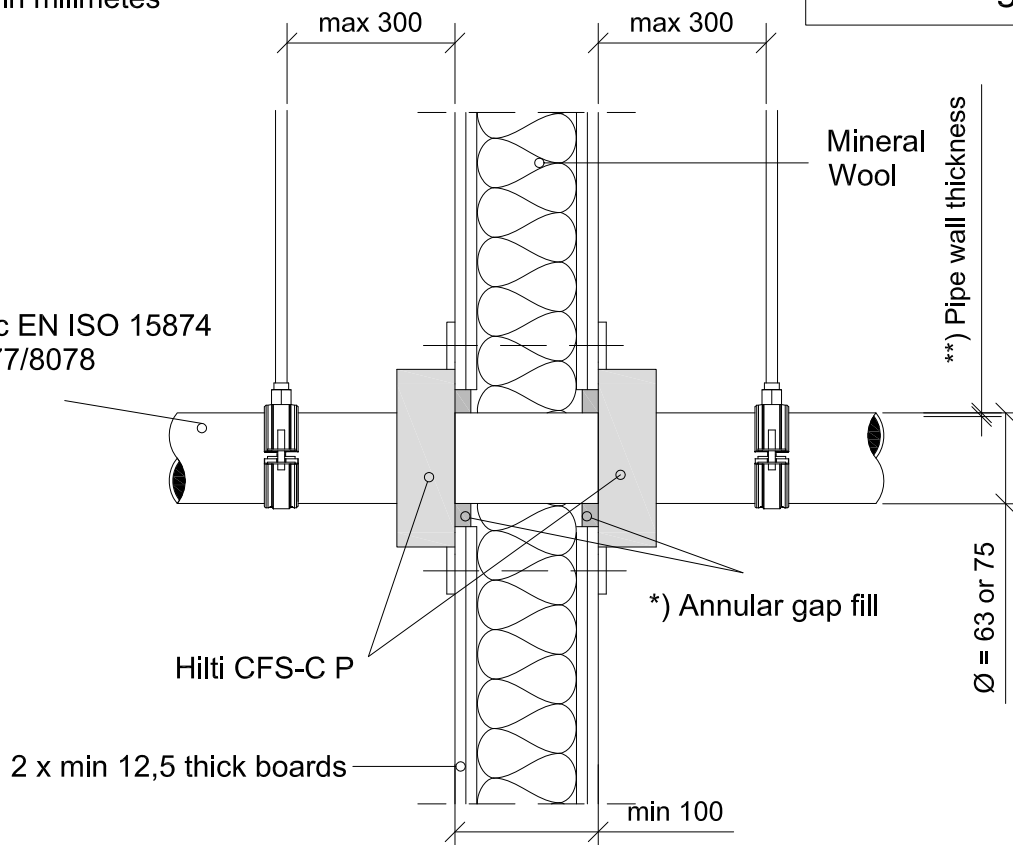
00

No scale

All units are in millimetres

Fire Rating EI 60 U/C

PP pipes acc EN ISO 15874 and DIN 8077/8078



*) Annular gap fill material

Hilti Firestop Acrylic Sealant CFS-S ACR on both sides with depth > 25 mm from the surface of the wall.

Gypsum plaster or cementitious mortar over the entire thickness of the wall.

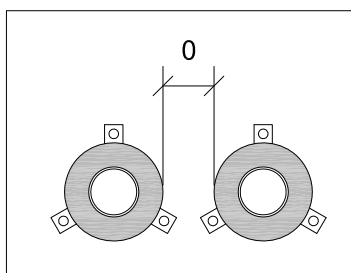
- Approval ETA-14/0404 of 31/01/2013
- Reaction to fire acc EN 13501-1
- Fire resistance test acc 1366-3
- Installation according to Hilti instructions

Sound Insulation for flexible wall

$$D_{n,w} = 60 \text{ dB}$$

$$R_w = 53 \text{ dB}$$

***) Pipe wall thickness



Zero distance between annular gap

Pipe Ø	Pipe wall thickness	Collar Size
63	5.8-10.5	CFS-C P 63/2"
75	1.9-6.8	CFS-C P 75/2.5"

Maximum thickness of sound decoupling: 9 mm



CONTENTS

Straight plastic pipe in a flexible wall

ID

ROOF-FW-PP-0021

FIRESTOP COLLAR

0021_01

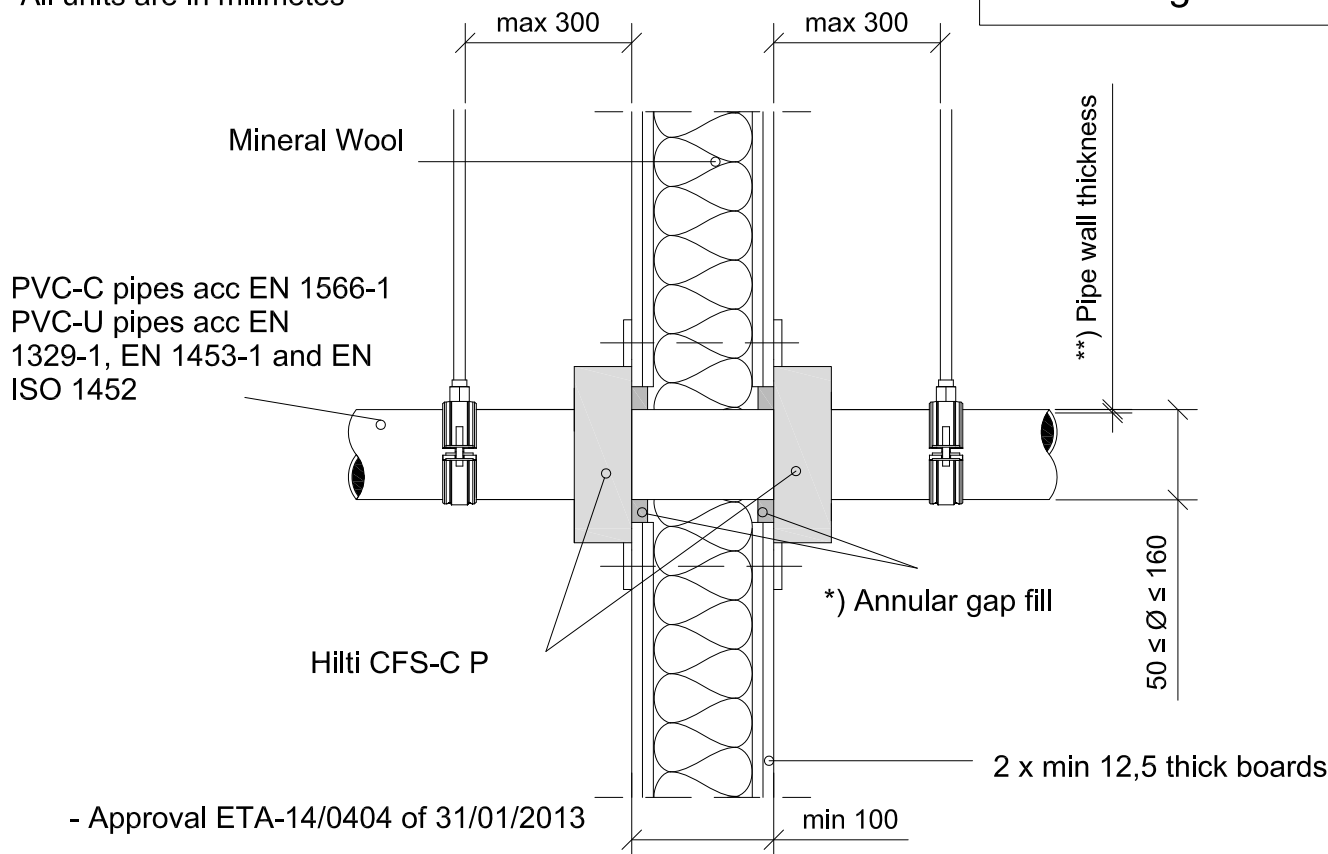
REV

00

No scale

All units are in millimetres

Fire Rating EI 120 U/U



- Approval ETA-14/0404 of 31/01/2013
- Reaction to fire acc EN 13501-1
- Fire resistance test acc 1366-3
- Installation according to Hilti instructions

Sound Insulation for flexible wall

$$D_{n,w} = 60 \text{ dB}$$

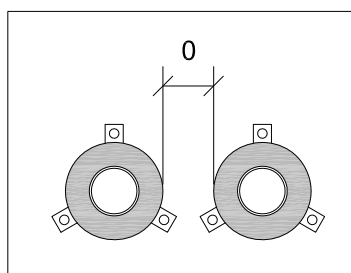
$$R_w = 53 \text{ dB}$$

*) Annular gap fill material

Hilti Firestop Acrylic Sealant CFS-S ACR on both sides with depth > 15 mm from the surface of the wall.

Gypsum plaster or cementitious mortar over the entire thickness of the wall.

**) Pipe wall thickness



Zero distance between annular gap

Pipe Ø	Pipe Wall Thickness	Collar Size
50	2.4-5.6	CFS-C P 50/1.5"
63	3.0-4.7	CFS-C P 63/2"
75	2.2-3.6	CFS-C P 75/2.5"
90	2.7-4.3	CFS-C P 90/3"
110	2.2-8.1	CFS-C P 110/4"
125	3.7-6.0	CFS-C P 125/5"
160	2.5-11.8	CFS-C P 160/6"



CONTENTS

Straight plastic pipe in a rigid wall

ID

ROOF-RW-PP-0027

FIRESTOP COLLAR

0027_01

REV
00

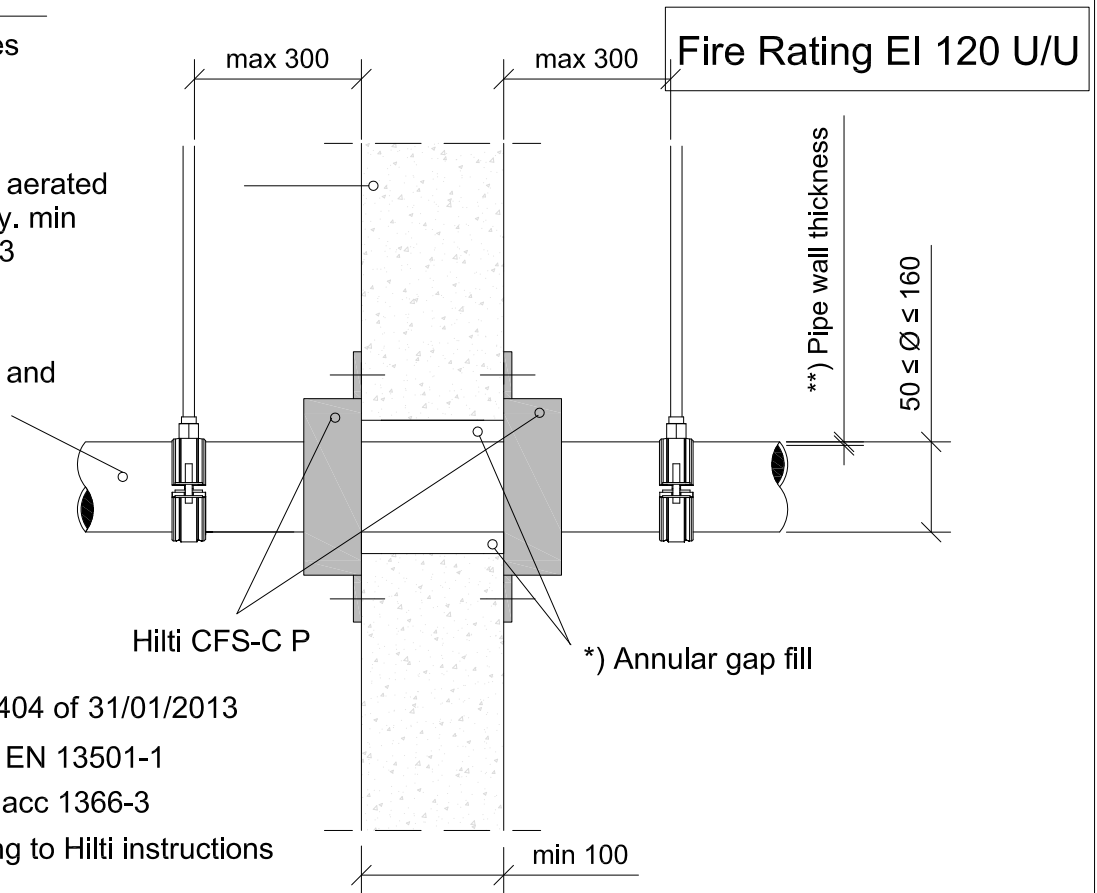
No scale

All units are in millimetres

Comprise concrete, aerated concrete or masonry. min density of 450 kg/m³

PE acc EN 1519-17 and EN 12666-1

- Approval ETA-14/0404 of 31/01/2013
- Reaction to fire acc EN 13501-1
- Fire resistance test acc 1366-3
- Installation according to Hilti instructions



*) Annular gap fill material

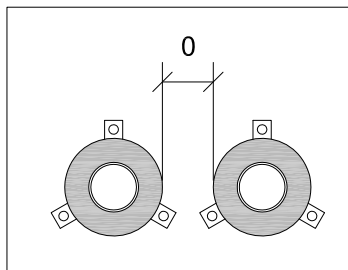
Hilti Firestop Acrylic Sealant CFS-S ACR on both sides with depth > 25 mm from the surface of the wall.

Gypsum plaster or cementitious mortar over the entire thickness of the wall.

Sound Insulation for rigid wall

CFS-C ACR	Cementitious mortar
$D_{n,w} = 58 \text{ dB}$	$D_{n,w} = 59 \text{ dB}$
$R_w = 51 \text{ dB}$	$R_w = 52 \text{ dB}$

**) Pipe wall thickness



Zero distance between annular gap

Pipe Ø	Pipe wall thickness	Collar Size
50	3.0	CFS-C P 50/1.5"
63	3.0	CFS-C P 63/2"
75	3.0	CFS-C P 75/2.5"
90	3.5	CFS-C P 90/3"
110	4.2	CFS-C P 110/4"
125	4.8	CFS-C P 125/5"
160	6.2	CFS-C P 160/6"

Maximum thickness of sound decoupling: 5 mm



CONTENTS

Straight plastic pipe in a rigid wall

ID

ROOF-RW-PP-0028

FIRESTOP COLLAR

0028_01

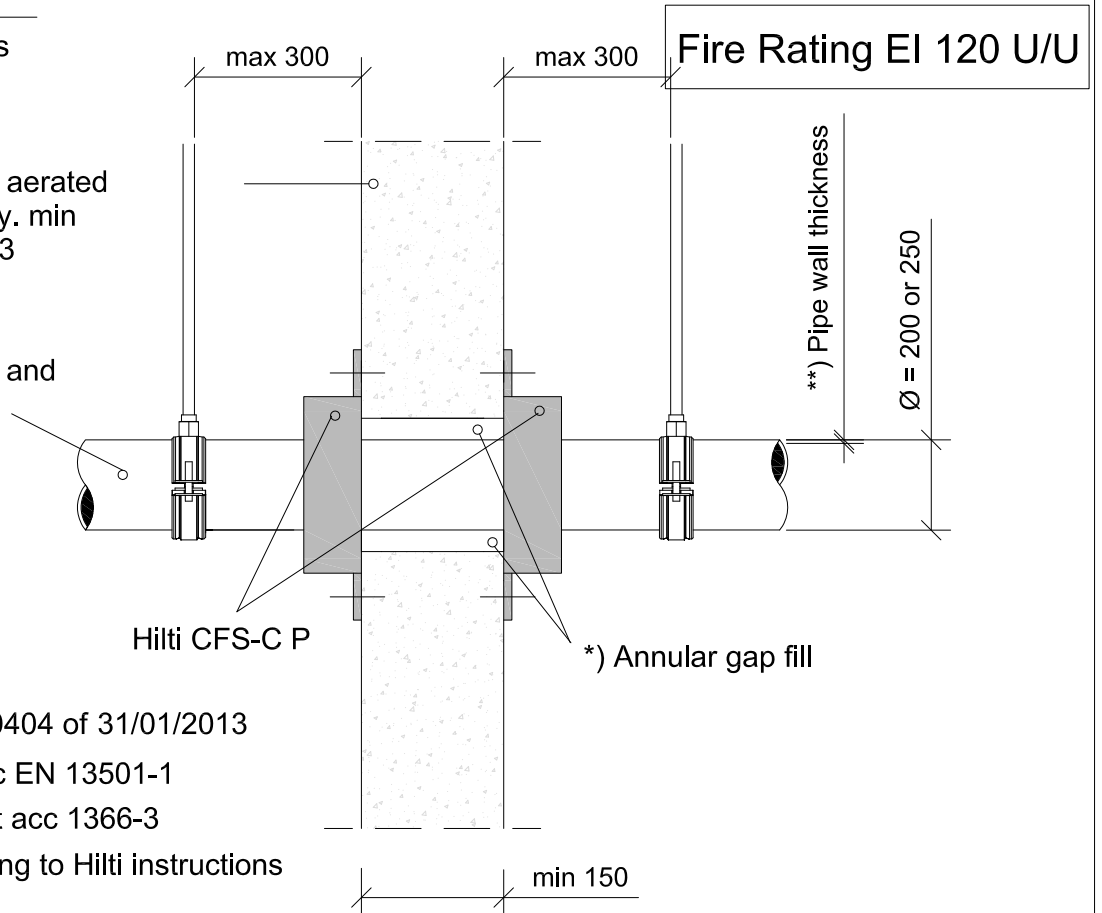
REV
00

No scale

All units are in millimetres

Comprise concrete, aerated concrete or masonry. min density of 650 kg/m³

PE acc EN 1519-17 and EN 12666-1



- Approval ETA-14/0404 of 31/01/2013
- Reaction to fire acc EN 13501-1
- Fire resistance test acc 1366-3
- Installation according to Hilti instructions

*) Annular gap fill material

Hilti Firestop Acrylic Sealant CFS-S ACR on both sides with depth > 25 mm from the surface of the wall.

Gypsum plaster or cementitious mortar over the entire thickness of the wall.

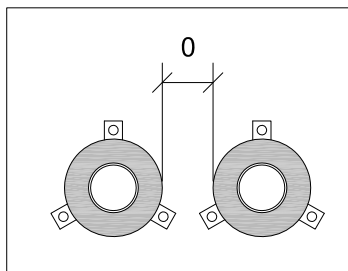
Sound Insulation for rigid wall

CFS-C ACR	Cementitious mortar
$D_{n,w} = 58$ dB	$D_{n,w} = 59$ dB
$R_w = 51$ dB	$R_w = 52$ dB

***) Pipe wall thickness

Pipe Ø	Pipe wall thickness	Collar Size
200	6.2	CFS-C P 200/8"
250	7.8	CFS-C P 250/10"

Maximum thickness of sound decoupling: 5 mm



Zero distance between annular gap



CONTENTS

Straight plastic pipe in a rigid wall

ID

ROOF-RW-PP-0038

FIRESTOP COLLAR

0038_01

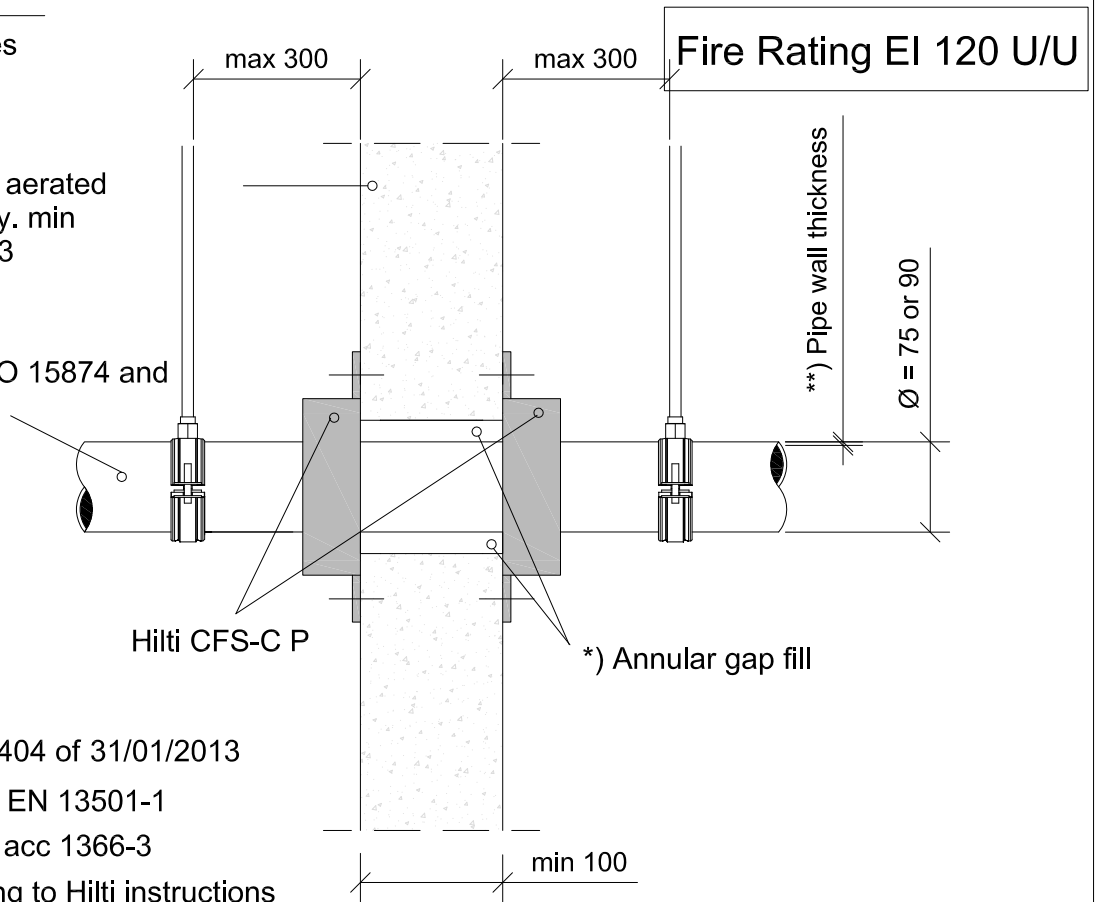
REV
00

No scale

All units are in millimetres

Comprise concrete, aerated concrete or masonry. min density of 450 kg/m³

PP pipes acc EN ISO 15874 and DIN 8077/8078



- Approval ETA-14/0404 of 31/01/2013
- Reaction to fire acc EN 13501-1
- Fire resistance test acc 1366-3
- Installation according to Hilti instructions

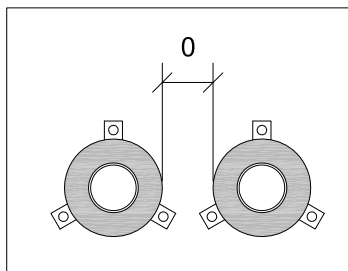
*) Annular gap fill material

Hilti Firestop Acrylic Sealant CFS-S ACR on both sides with depth > 25 mm from the surface of the wall.

Gypsum plaster or cementitious mortar over the entire thickness of the wall.

Sound Insulation for rigid wall

CFS-C ACR	Cementitious mortar
$D_{n,w} = 58$ dB	$D_{n,w} = 59$ dB
$R_w = 51$ dB	$R_w = 52$ dB



Zero distance between annular gap

***) Pipe wall thickness

Pipe Ø	Pipe wall thickness	Collar Size
75	6.8-12.5	CFS-C P 75/2.5"
90	8.2-15.0	CFS-C P 90/3"

Maximum thickness of sound decoupling: 9 mm



CONTENTS

Straight plastic pipe in a rigid wall

ID

ROOF-RW-PP-0039

FIRESTOP COLLAR

0039_01

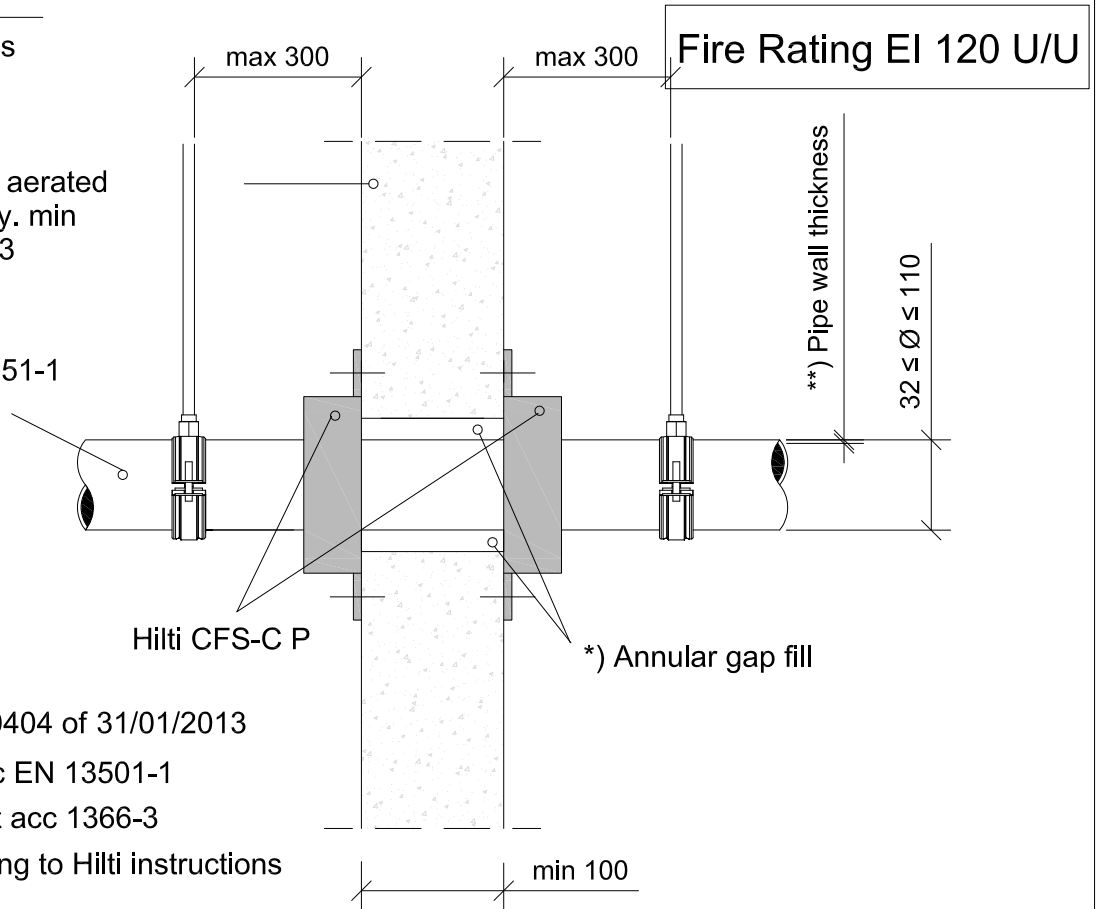
REV
00

No scale

All units are in milimetres

Comprise concrete, aerated concrete or masonry. min density of 450 kg/m³

PP pipes acc EN 1451-1



- Approval ETA-14/0404 of 31/01/2013
- Reaction to fire acc EN 13501-1
- Fire resistance test acc 1366-3
- Installation according to Hilti instructions

*) Annular gap fill material

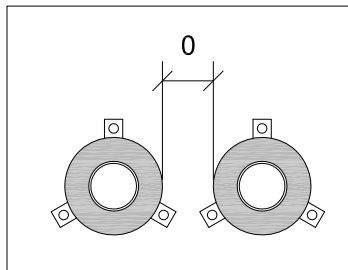
Hilti Firestop Acrylic Sealant CFS-S ACR on both sides with depth > 25 mm from the surface of the wall.

Gypsum plaster or cementitious mortar over the entire thickness of the wall.

Sound Insulation for rigid wall

CFS-C ACR	Cementitious mortar
$D_{n,w} = 58 \text{ dB}$	$D_{n,w} = 59 \text{ dB}$
$R_w = 51 \text{ dB}$	$R_w = 52 \text{ dB}$

**) Pipe wall thickness



Zero distance between annular gap

Pipe Ø	Pipe wall thickness	Collar Size
32	1.8	CFS-C P 50/1.5"
40	1.8	CFS-C P 50/1.5"
50	1.8-2.0	CFS-C P 50/1.5"
70	4.5	CFS-C P 75/2.5"
75	1.8-3.8	CFS-C P 75/2.5"
90	2.8-4.5	CFS-C P 90/3"
110	2.7-5.3	CFS-C P 110/4"

Maximum thickness of sound decoupling: 9 mm



CONTENTS

Straight plastic pipe in a rigid wall

ID

ROOF-RW-PP-0040

FIRESTOP COLLAR

0040_01

REV

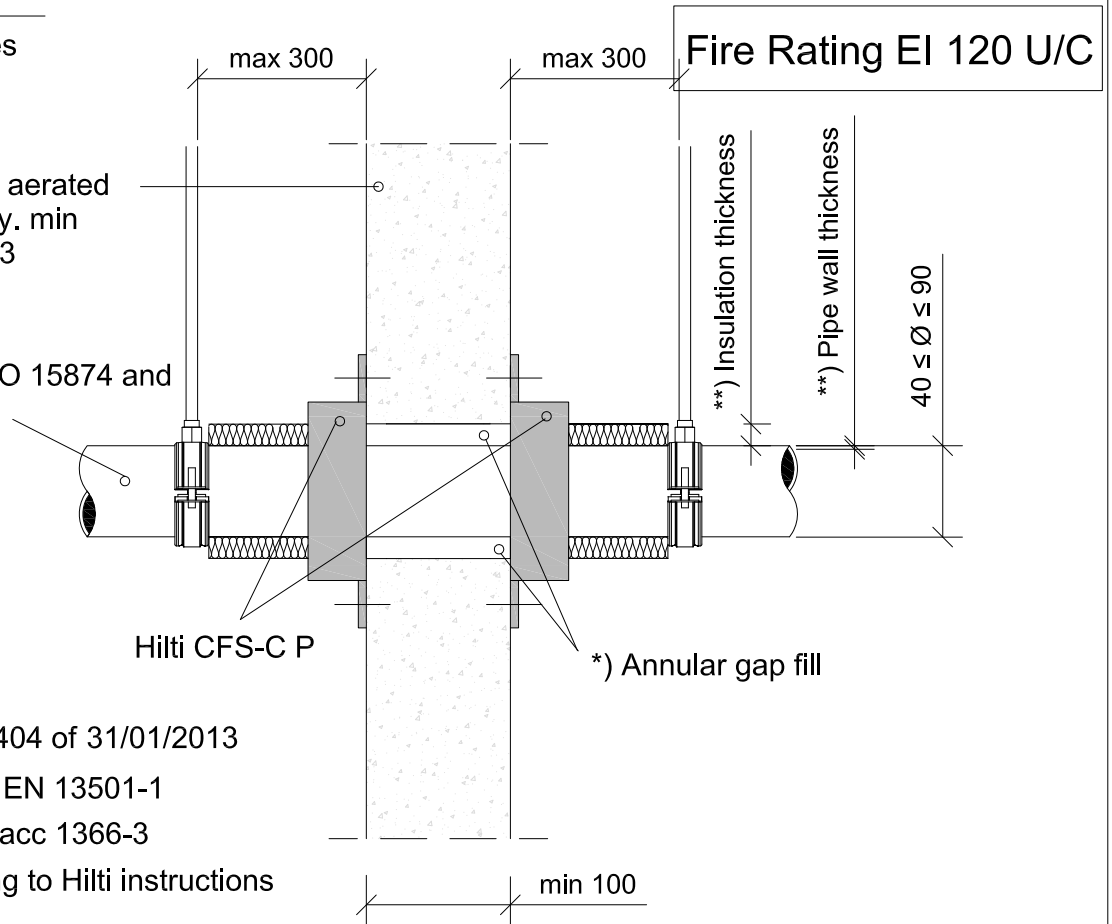
00

No scale

All units are in millimetres

Comprise concrete, aerated concrete or masonry. min density of 450 kg/m³

PP pipes acc EN ISO 15874 and DIN 8077/8078



- Approval ETA-14/0404 of 31/01/2013
- Reaction to fire acc EN 13501-1
- Fire resistance test acc 1366-3
- Installation according to Hilti instructions

*) Annular gap fill material

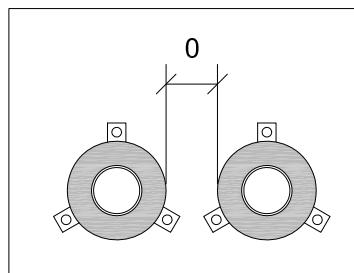
Hilti Firestop Acrylic Sealant CFS-S ACR on both sides with depth > 25 mm from the surface of the wall.

Gypsum plaster or cementitious mortar over the entire thickness of the wall.

Sound Insulation for rigid wall

CFS-C ACR	Cementitious mortar
$D_{n,w} = 58$ dB	$D_{n,w} = 59$ dB
$R_w = 51$ dB	$R_w = 52$ dB

**) Pipe wall and insulation thickness (Armaflex AF) arrangement Local Insulation (length of insulation > 250 mm) or Continued insulation



Zero distance between annular gap

Pipe Ø	Pipe Wall Thickness	Insulation Thickness	Collar Size
40	3.7-5.5	9.0	CFS-C P 50/1.5"
50	4.6-6.9	9.0	CFS-C P 50/1.5"
75	6.8-10.3	9.0	CFS-C P 75/2.5"
90	10.0-15.1	10	CFS-C P 90/3"



CONTENTS

Straight plastic pipe in a rigid wall

ID

ROOF-RW-PP-0041

FIRESTOP COLLAR

0041_01

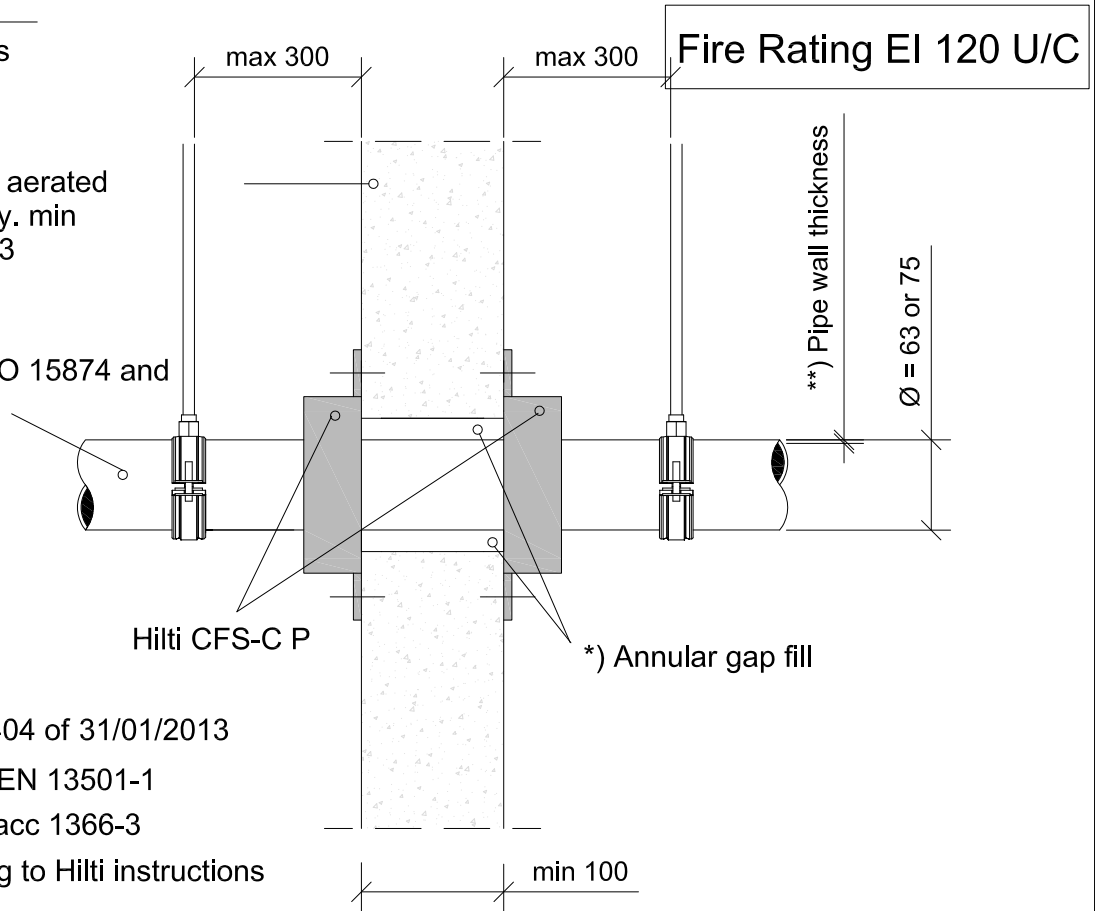
REV
00

No scale

All units are in millimetres

Comprise concrete, aerated concrete or masonry. min density of 450 kg/m³

PP pipes acc EN ISO 15874 and DIN 8077/8078



- Approval ETA-14/0404 of 31/01/2013
- Reaction to fire acc EN 13501-1
- Fire resistance test acc 1366-3
- Installation according to Hilti instructions

*) Annular gap fill material

Hilti Firestop Acrylic Sealant CFS-S ACR on both sides with depth > 25 mm from the surface of the wall.

Gypsum plaster or cementitious mortar over the entire thickness of the wall.

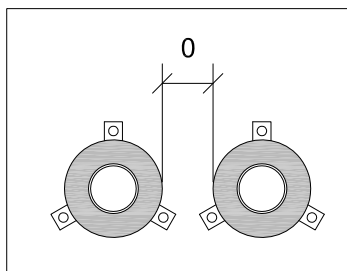
Sound Insulation for rigid wall

CFS-C ACR	Cementitious mortar
$D_{n,w} = 58$ dB	$D_{n,w} = 59$ dB
$R_w = 51$ dB	$R_w = 52$ dB

***) Pipe wall thickness

Pipe Ø	Pipe wall thickness	Collar Size
63	10.5	CFS-C P 63/2"
75	6.8	CFS-C P 75/2.5"

Maximum thickness of sound decoupling: 9 mm



Zero distance between annular gap



CONTENTS

Straight plastic pipe in a rigid wall

ID

ROOF-RW-PP-0042

FIRESTOP COLLAR

0042_01

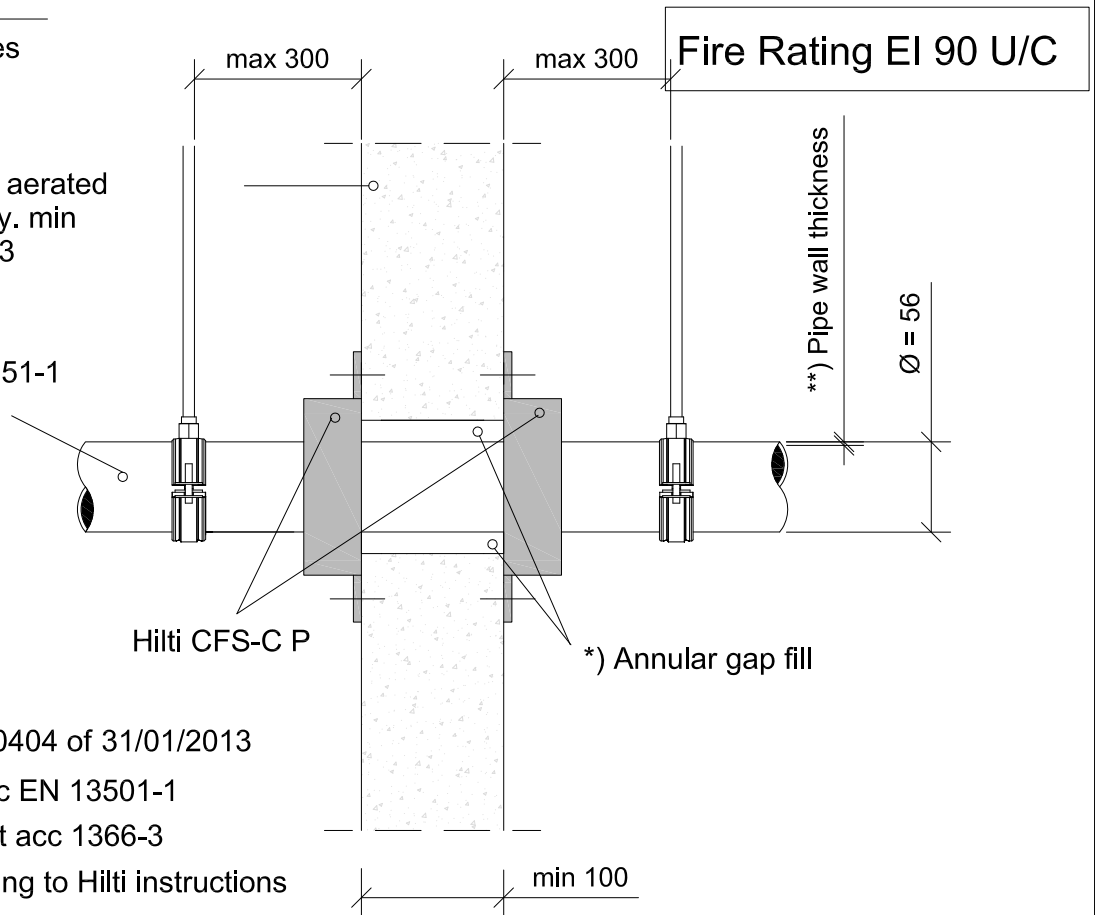
REV
00

No scale

All units are in millimetres

Comprise concrete, aerated concrete or masonry. min density of 450 kg/m³

PP pipes acc EN 1451-1



- Approval ETA-14/0404 of 31/01/2013
- Reaction to fire acc EN 13501-1
- Fire resistance test acc 1366-3
- Installation according to Hilti instructions

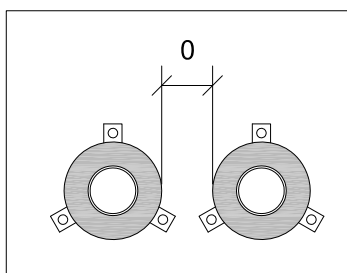
*) Annular gap fill material

Hilti Firestop Acrylic Sealant CFS-S ACR on both sides with depth > 25 mm from the surface of the wall.

Gypsum plaster or cementitious mortar over the entire thickness of the wall.

Sound Insulation for rigid wall

CFS-C ACR	Cementitious mortar
$D_{n,w} = 58$ dB	$D_{n,w} = 59$ dB
$R_w = 51$ dB	$R_w = 52$ dB



Zero distance between annular gap

***) Pipe wall thickness

Pipe Ø	Pipe wall thickness	Collar Size
56	4.0	CFS-C P 63/2"

Maximum thickness of sound decoupling: 9 mm



CONTENTS

Straight plastic pipe in a rigid wall

ID

ROOF-RW-PP-0043

FIRESTOP COLLAR

0043_01

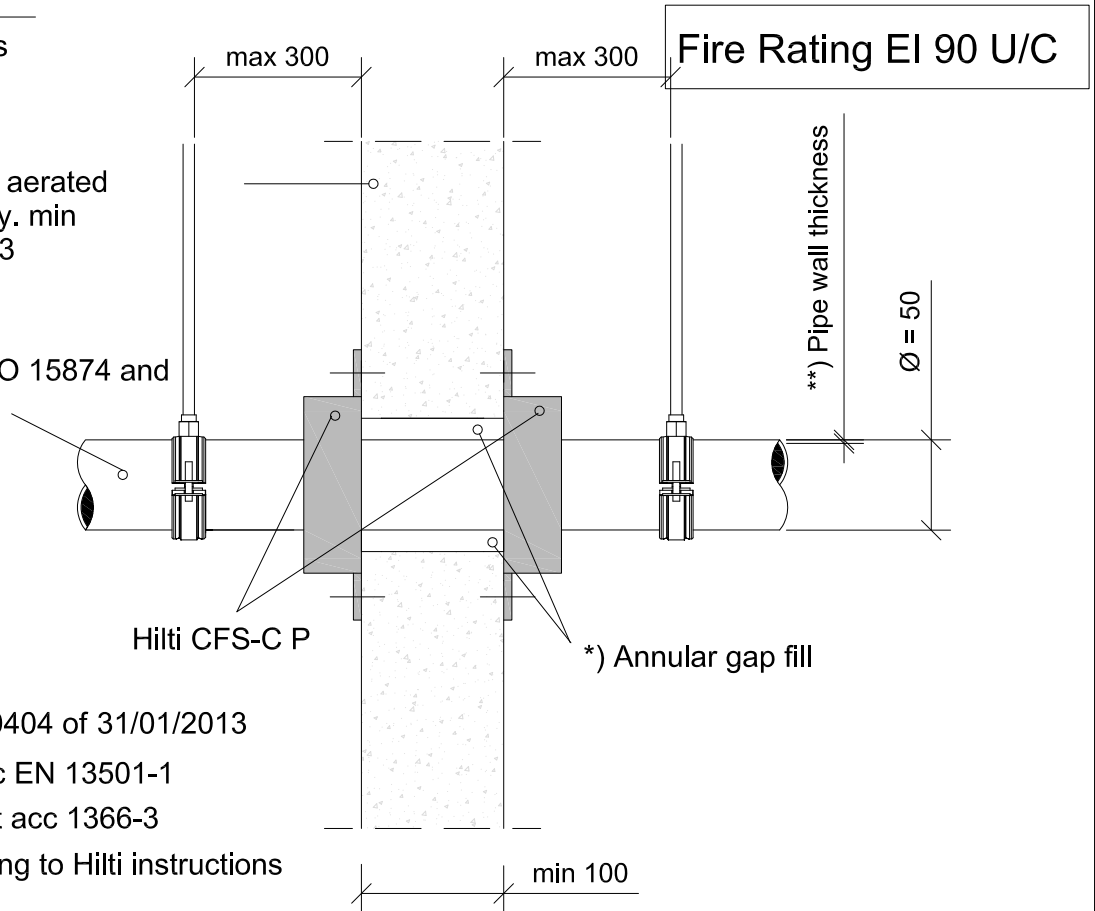
REV
00

No scale

All units are in millimetres

Comprise concrete, aerated concrete or masonry. min density of 450 kg/m³

PP pipes acc EN ISO 15874 and DIN 8077/8078



- Approval ETA-14/0404 of 31/01/2013
- Reaction to fire acc EN 13501-1
- Fire resistance test acc 1366-3
- Installation according to Hilti instructions

*) Annular gap fill material

Hilti Firestop Acrylic Sealant CFS-S ACR on both sides with depth > 25 mm from the surface of the wall.

Gypsum plaster or cementitious mortar over the entire thickness of the wall.

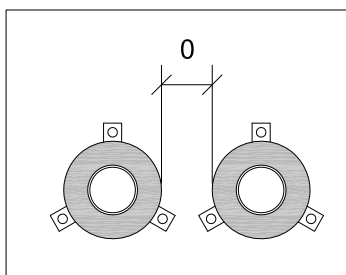
Sound Insulation for rigid wall

CFS-C ACR	Cementitious mortar
$D_{n,w} = 58$ dB	$D_{n,w} = 59$ dB
$R_w = 51$ dB	$R_w = 52$ dB

***) Pipe wall thickness

Pipe Ø	Pipe wall thickness	Collar Size
50	4.6-8.3	CFS-C P 50/1.5"

Maximum thickness of sound decoupling: 9 mm



Zero distance between annular gap



CONTENTS

Straight plastic pipe in a rigid wall

ID

ROOF-RW-PP-0044

FIRESTOP COLLAR

0044_01

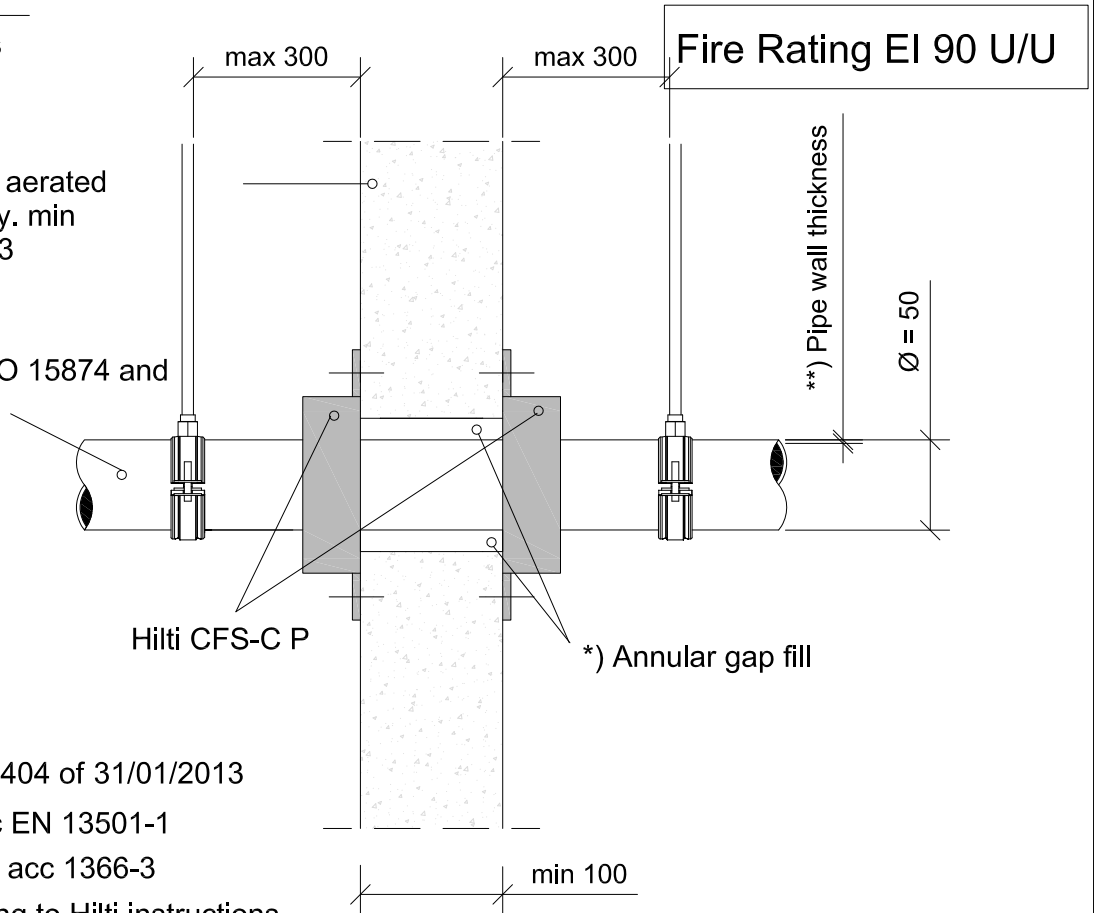
REV
00

No scale

All units are in millimetres

Comprise concrete, aerated concrete or masonry. min density of 450 kg/m³

PP pipes acc EN ISO 15874 and DIN 8077/8078



- Approval ETA-14/0404 of 31/01/2013
- Reaction to fire acc EN 13501-1
- Fire resistance test acc 1366-3
- Installation according to Hilti instructions

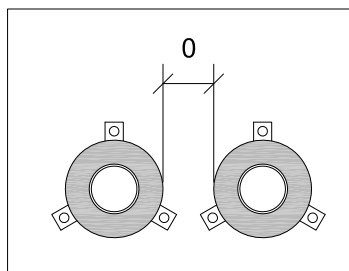
*) Annular gap fill material

Hilti Firestop Acrylic Sealant CFS-S ACR on both sides with depth > 25 mm from the surface of the wall.

Gypsum plaster or cementitious mortar over the entire thickness of the wall.

Sound Insulation for rigid wall

CFS-C ACR	Cementitious mortar
$D_{n,w} = 58$ dB	$D_{n,w} = 59$ dB
$R_w = 51$ dB	$R_w = 52$ dB



Zero distance between annular gap

**.) Pipe wall thickness

Pipe Ø	Pipe wall thickness	Collar Size
50	1.8-2.9	CFS-C P 50/1.5"

Maximum thickness of sound decoupling: 9 mm



CONTENTS

Straight plastic pipe in a rigid wall

ID

ROOF-RW-PP-0045

FIRESTOP COLLAR

0045_01

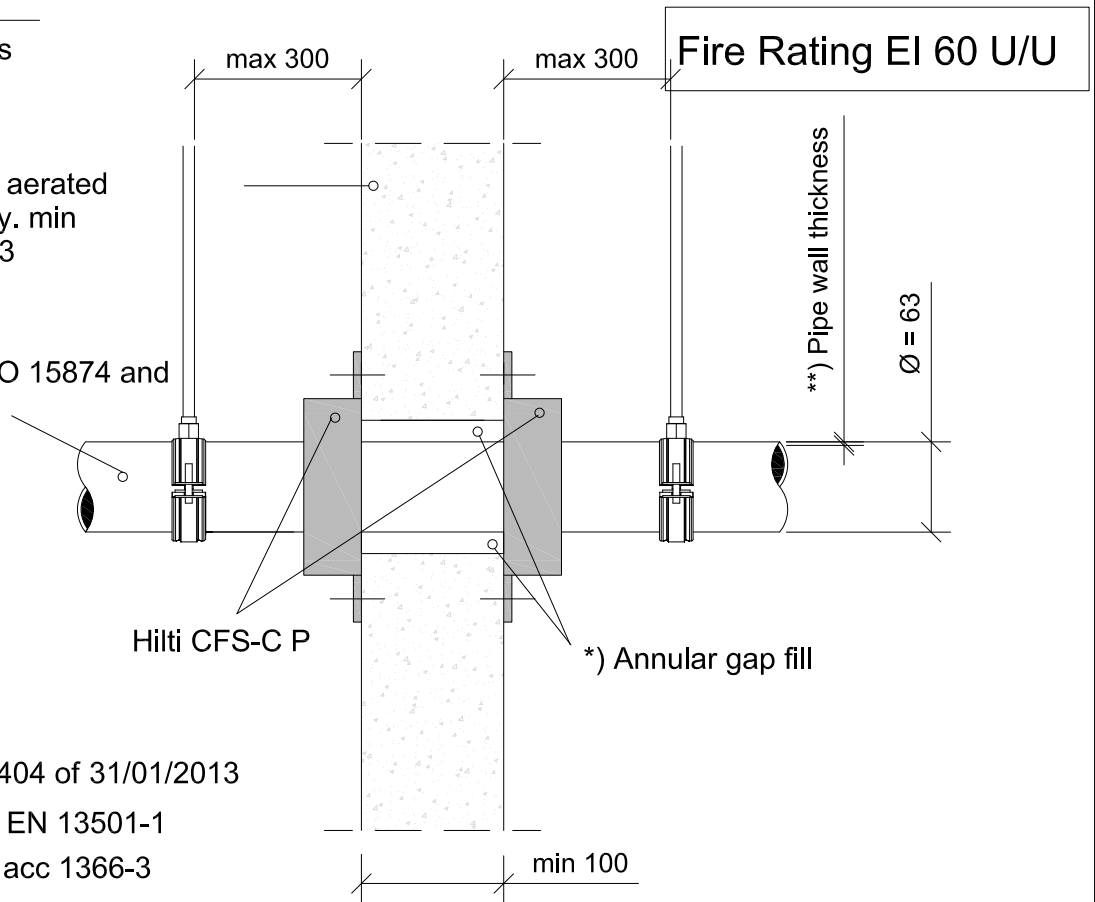
REV
00

No scale

All units are in milimetres

Comprise concrete, aerated concrete or masonry. min density of 450 kg/m³

PP pipes acc EN ISO 15874 and DIN 8077/8078



- Approval ETA-14/0404 of 31/01/2013
- Reaction to fire acc EN 13501-1
- Fire resistance test acc 1366-3
- Installation according to Hilti instructions

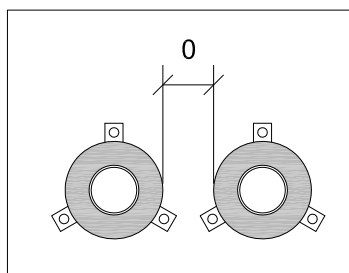
*) Annular gap fill material

Hilti Firestop Acrylic Sealant CFS-S ACR on both sides with depth > 25 mm from the surface of the wall.

Gypsum plaster or cementitious mortar over the entire thickness of the wall.

Sound Insulation for rigid wall

CFS-C ACR	Cementitious mortar
$D_{n,w} = 58 \text{ dB}$	$D_{n,w} = 59 \text{ dB}$
$R_w = 51 \text{ dB}$	$R_w = 52 \text{ dB}$



Zero distance between annular gap

***) Pipe wall thickness

Pipe Ø	Pipe wall thickness	Collar Size
63	1.8-5.8	CFS-C P 63/2"

Maximum thickness of sound decoupling: 9 mm



CONTENTS

Straight plastic pipe in a rigid wall

ID

ROOF-RW-PP-0046

FIRESTOP COLLAR

0046_01

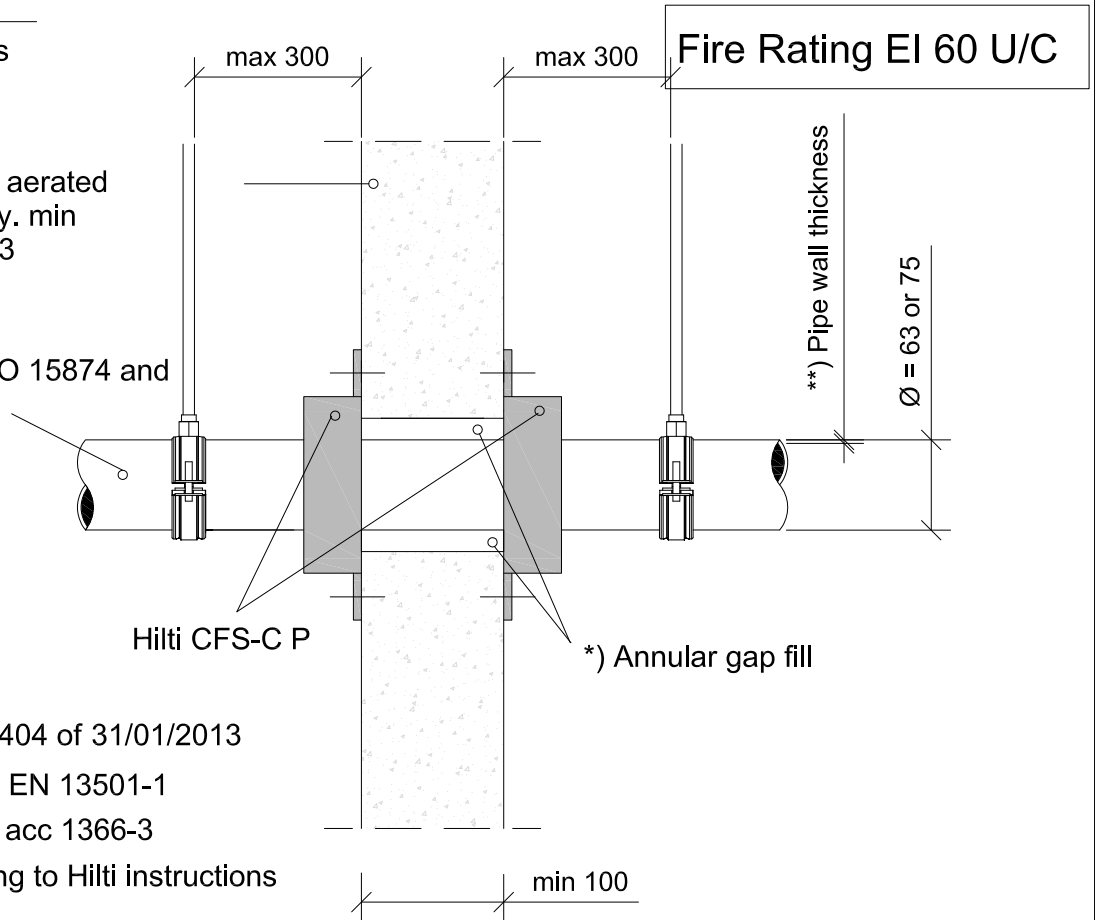
REV
00

No scale

All units are in millimetres

Comprise concrete, aerated concrete or masonry. min density of 450 kg/m³

PP pipes acc EN ISO 15874 and DIN 8077/8078



- Approval ETA-14/0404 of 31/01/2013
- Reaction to fire acc EN 13501-1
- Fire resistance test acc 1366-3
- Installation according to Hilti instructions

*) Annular gap fill material

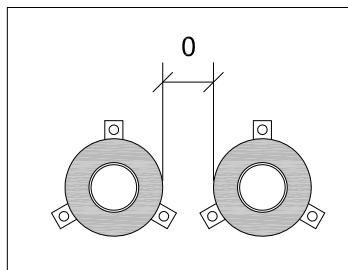
Hilti Firestop Acrylic Sealant CFS-S ACR on both sides with depth > 15 mm from the surface of the wall.

Gypsum plaster or cementitious mortar over the entire thickness of the wall.

Sound Insulation for rigid wall

CFS-C ACR	Cementitious mortar
$D_{n,w} = 58 \text{ dB}$	$D_{n,w} = 59 \text{ dB}$
$R_w = 51 \text{ dB}$	$R_w = 52 \text{ dB}$

**) Pipe wall thickness



Zero distance between annular gap

Pipe Ø	Pipe wall thickness	Collar Size
63	5.8-10.5	CFS-C P 63/2"
75	1.9-6.8	CFS-C P 75/2.5"

Maximum thickness of sound decoupling: 9 mm



CONTENTS

Straight plastic pipe in a rigid wall

ID

ROOF-RW-PP-0049

FIRESTOP COLLAR

0049_01

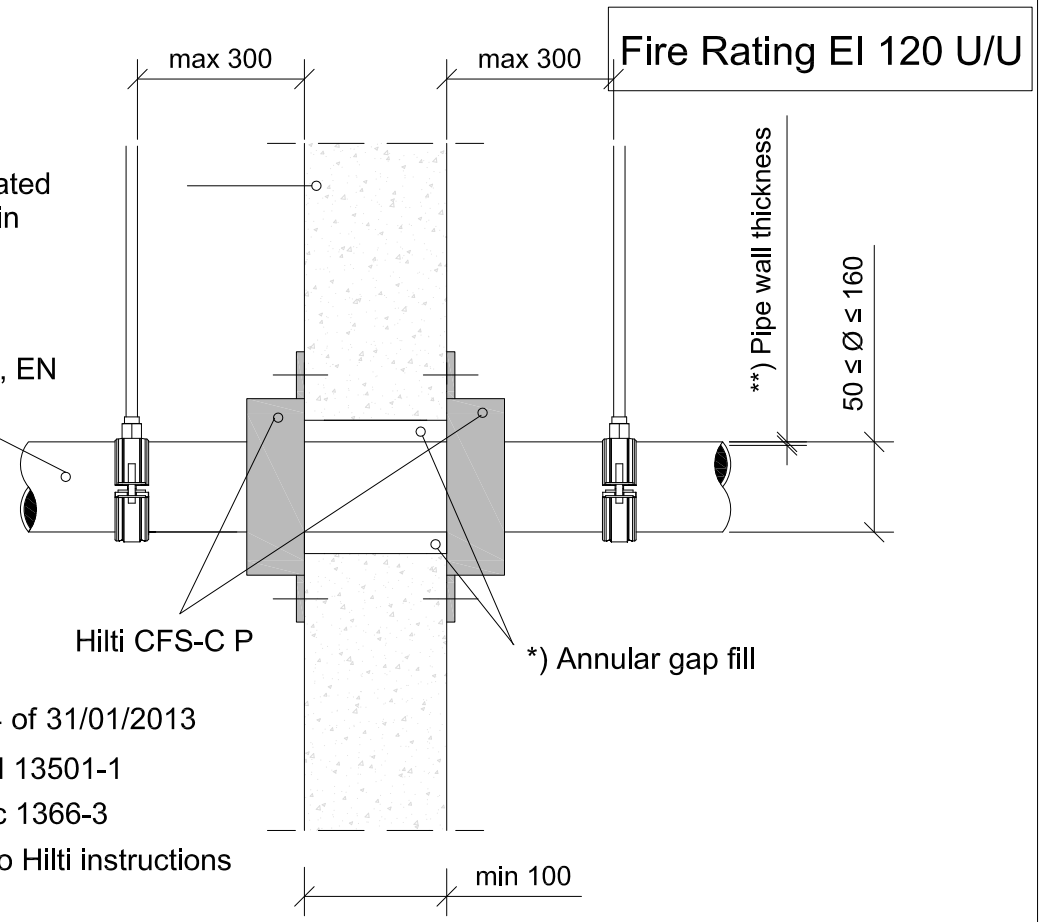
REV
00

No scale

All units are in milimetres

Comprise concrete, aerated concrete or masonry. min density of 450 kg/m³

PVC-C pipes acc EN 1566-1
PVC-U pipes acc EN 1329-1, EN 1453-1 and EN ISO 1452



- Approval ETA-14/0404 of 31/01/2013
- Reaction to fire acc EN 13501-1
- Fire resistance test acc 1366-3
- Installation according to Hilti instructions

*) Annular gap fill material

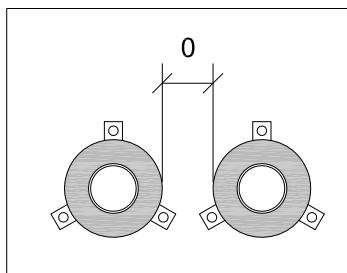
Hilti Firestop Acrylic Sealant CFS-S ACR on both sides with depth > 25 mm from the surface of the wall.

Gypsum plaster or cementitious mortar over the entire thickness of the wall.

Sound Insulation for rigid wall

CFS-C ACR	Cementitious mortar
$D_{n,w} = 58$ dB	$D_{n,w} = 59$ dB
$R_w = 51$ dB	$R_w = 52$ dB

***) Pipe wall thickness



Zero distance between annular gap

Pipe Ø	Pipe Wall Thickness	Collar Size
50	2.4-5.6	CFS-C P 50/1.5"
63	3.0-4.7	CFS-C P 63/2"
75	2.2-3.6	CFS-C P 75/2.5"
90	2.7-4.3	CFS-C P 90/3"
110	2.2-8.1	CFS-C P 110/4"
125	3.7-6.0	CFS-C P 125/5"
160	2.5-11.8	CFS-C P 160/6"