

Schémas d'applications pour le collier CFS-C P



Applications pour eaux usées en cloison/voile

- | | |
|---|------------------------|
| • Tube plastique PE en cloison épaisseur 100 mm | WW-FW-PP-0004/5/8 |
| • Tube plastique PP en cloison épaisseur 100 mm | WW-FW-PP-0014/15/18-24 |
| • Tube plastique PVC en cloison épaisseur 100 mm | WW-FW-PP-0027 |
| • Tube plastique PE en voile rigide épaisseur 100 mm | WW-RW-PP-0035 |
| • Tube plastique PE en voile rigide épaisseur 150 mm | WW-RW-PP-0036 |
| • Tube plastique PP en voile rigide épaisseur 100 mm | WW-RW-PP-0052/53/56-62 |
| • Tube plastique PVC en voile rigide épaisseur 100 mm | WW-RW-PP-0068 |

*) Tous les schémas sont également disponibles sur demande en format DWG pour faciliter l'insertion sur des plans.



CONTENTS

Straight plastic pipe in a flexible wall

ID

WW-FW-PP-0004

FIRESTOP COLLAR

0004_01

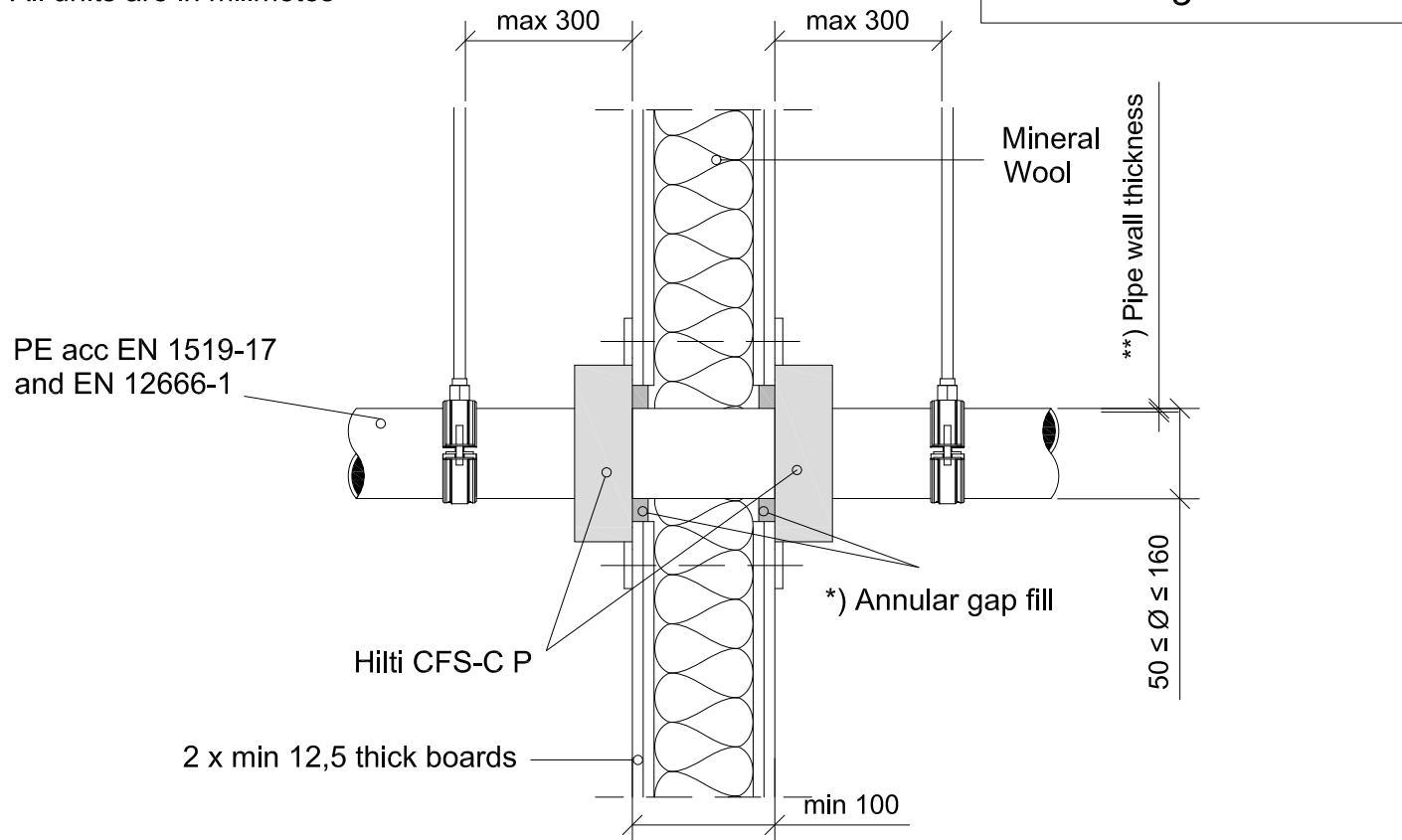
REV

00

No scale

All units are in milimetres

Fire Rating EI 120 U/U



- Approval ETA-14/0404 of 31/01/2013
- Reaction to fire acc EN 13501-1
- Fire resistance test acc 1366-3
- Installation according to Hilti instructions

*) Annular gap fill material

Hilti Firestop Acrylic Sealant CFS-S ACR on both sides with depth > 25 mm from the surface of the wall.

Gypsum plaster or cementitious mortar over the entire thickness of the wall.

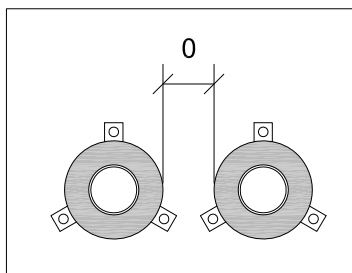
Sound Insulation for flexible wall

$$D_{n,w} = 60 \text{ dB}$$

$$R_w = 53 \text{ dB}$$

**) Pipe wall thickness

Pipe Ø	Inner Pipe Ø	Collar Size
50	3.0	CFS-C P 50/1.5"
63	3.0	CFS-C P 63/2"
75	3.0	CFS-C P 75/2.5"
90	3.5	CFS-C P 90/3"
110	4.2	CFS-C P 110/4"
125	4.8	CFS-C P 125/5"
160	6.2	CFS-C P 160/6"



Zero distance between annular gap

Maximum thickness of sound decoupling: 5 mm



CONTENTS

Straight plastic pipe in a flexible wall

ID

WW-FW-PP-0005

FIRESTOP COLLAR

0005_01

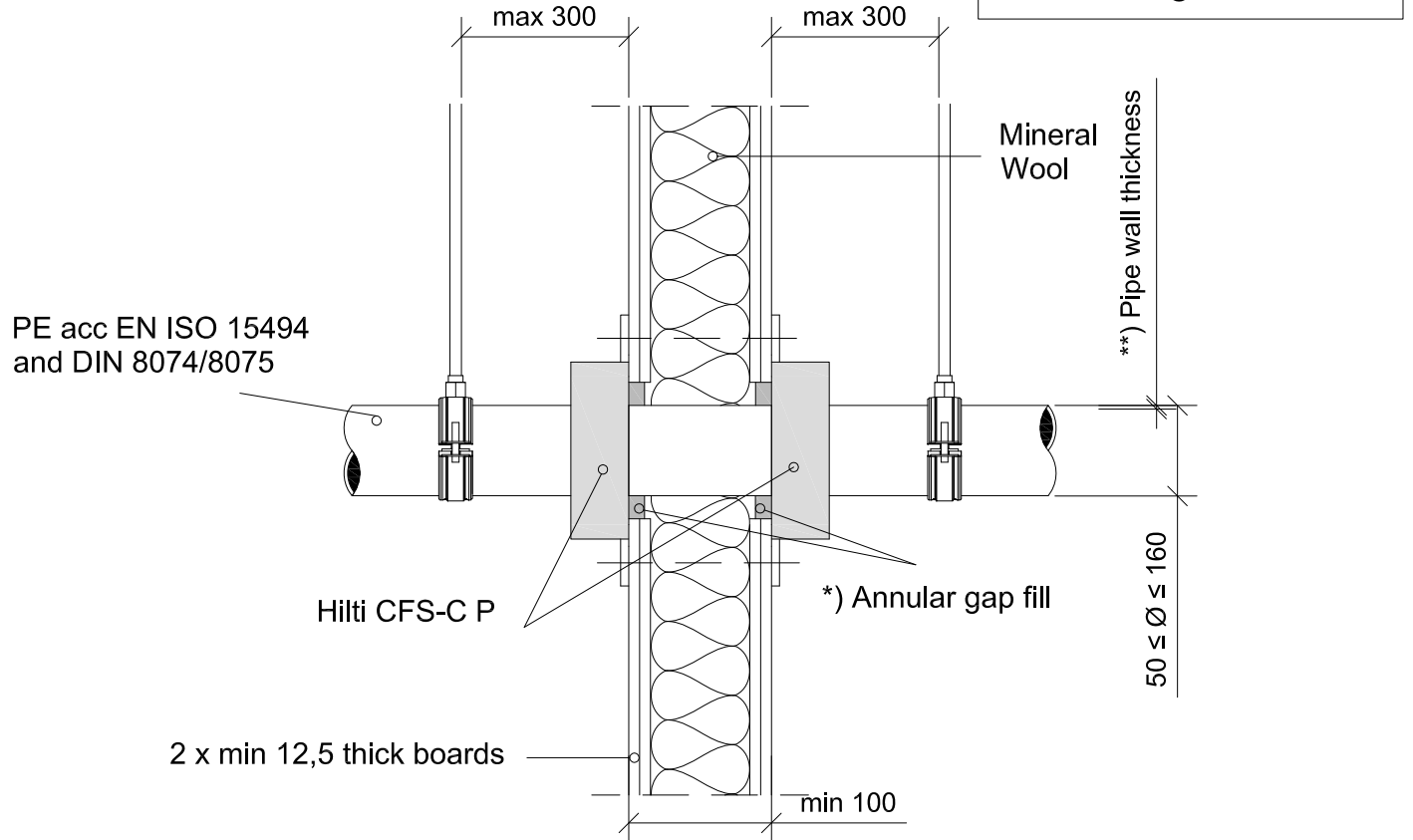
REV

00

No scale

All units are in milimetres

Fire Rating EI 120 U/U



- Approval ETA-14/0404 of 31/01/2013
- Reaction to fire acc EN 13501-1
- Fire resistance test acc 1366-3
- Installation according to Hilti instructions

Sound Insulation for flexible wall

*) Annular gap fill material

$$D_{n,w} = 60 \text{ dB}$$

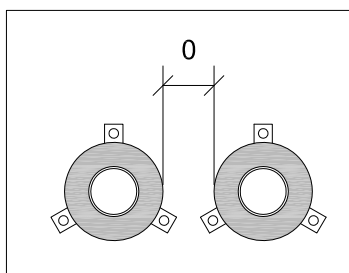
$$R_w = 53 \text{ dB}$$

Hilti Firestop Acrylic Sealant CFS-S ACR on both sides with depth > 25 mm from the surface of the wall.

Gypsum plaster or cementitious mortar over the entire thickness of the wall.

** Pipe wall thickness

Pipe Ø	Inner Pipe Ø	Collar Size
50	2.9-4.6	CFS-C P 50/1.5"
63	3.6-5.8	CFS-C P 63/2"
75	1.9-6.8	CFS-C P 75/2.5"
90	2.2-8.2	CFS-C P 90/3"
110	2.7-10.0	CFS-C P 110/4"
125	3.1-7.1	CFS-C P 125/5"
160	4.0-9.1	CFS-C P 160/6"



Zero distance between annular gap

Maximum thickness of sound decoupling: 5 mm



CONTENTS

Straight plastic pipe in a flexible wall

ID

WW-FW-PP-0008

FIRESTOP COLLAR

0008_01

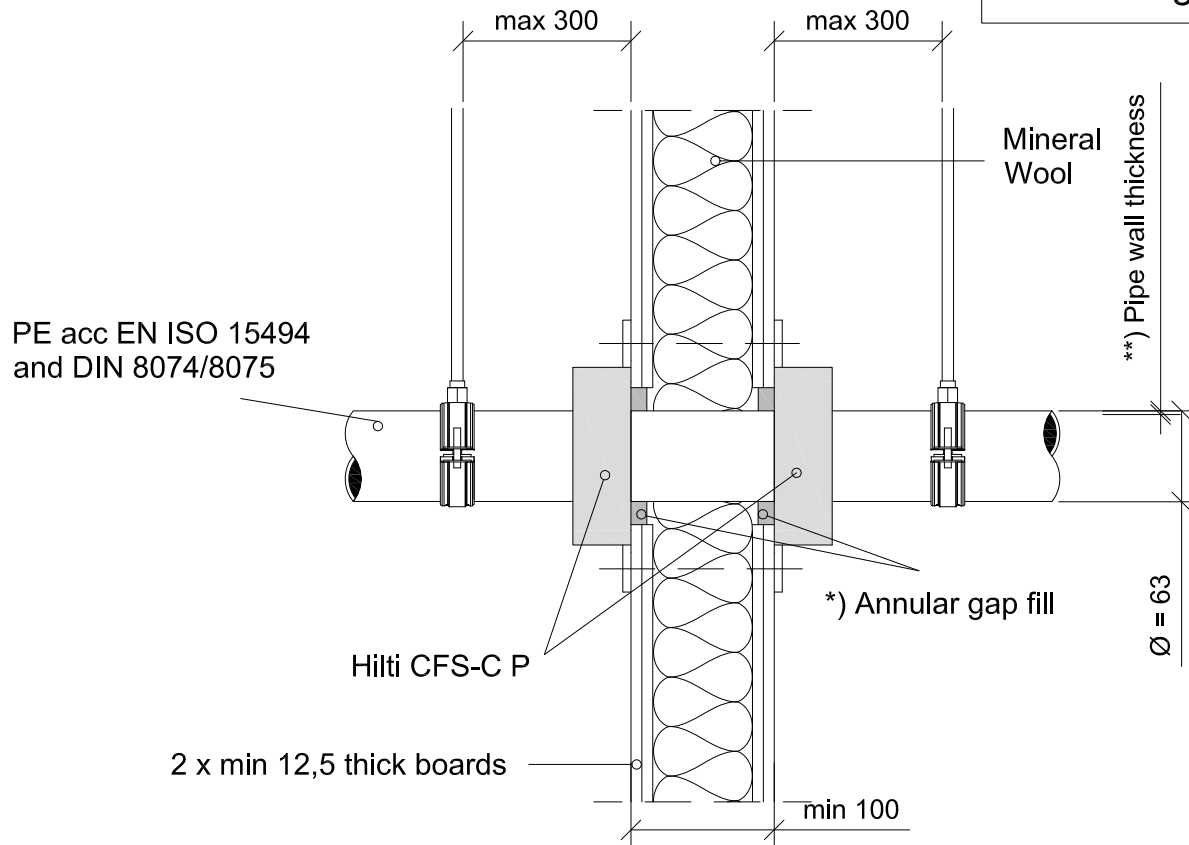
REV

00

No scale

All units are in millimetres

Fire Rating EI 90 U/U



*) Annular gap fill material

Hilti Firestop Acrylic Sealant CFS-S ACR on both sides with depth > 25 mm from the surface of the wall.

Gypsum plaster or cementitious mortar over the entire thickness of the wall.

- Approval ETA-14/0404 of 31/01/2013
- Reaction to fire acc EN 13501-1
- Fire resistance test acc 1366-3
- Installation according to Hilti instructions

Sound Insulation for flexible wall

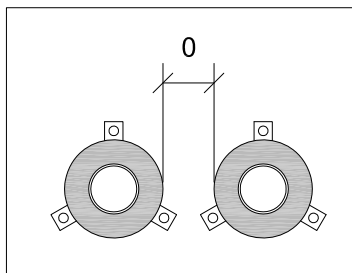
$$D_{n,w} = 60 \text{ dB}$$

$$R_w = 53 \text{ dB}$$

** Pipe wall thickness

Pipe Ø	Inner Pipe Ø	Collar Size
63	1.8-5.8	CFS-C P 63/2.0"

Maximum thickness of sound decoupling: 5 mm



Zero distance between annular gap



CONTENTS

Straight plastic pipe in a flexible wall

ID

WW-FW-PP-0014

FIRESTOP COLLAR

0014_01

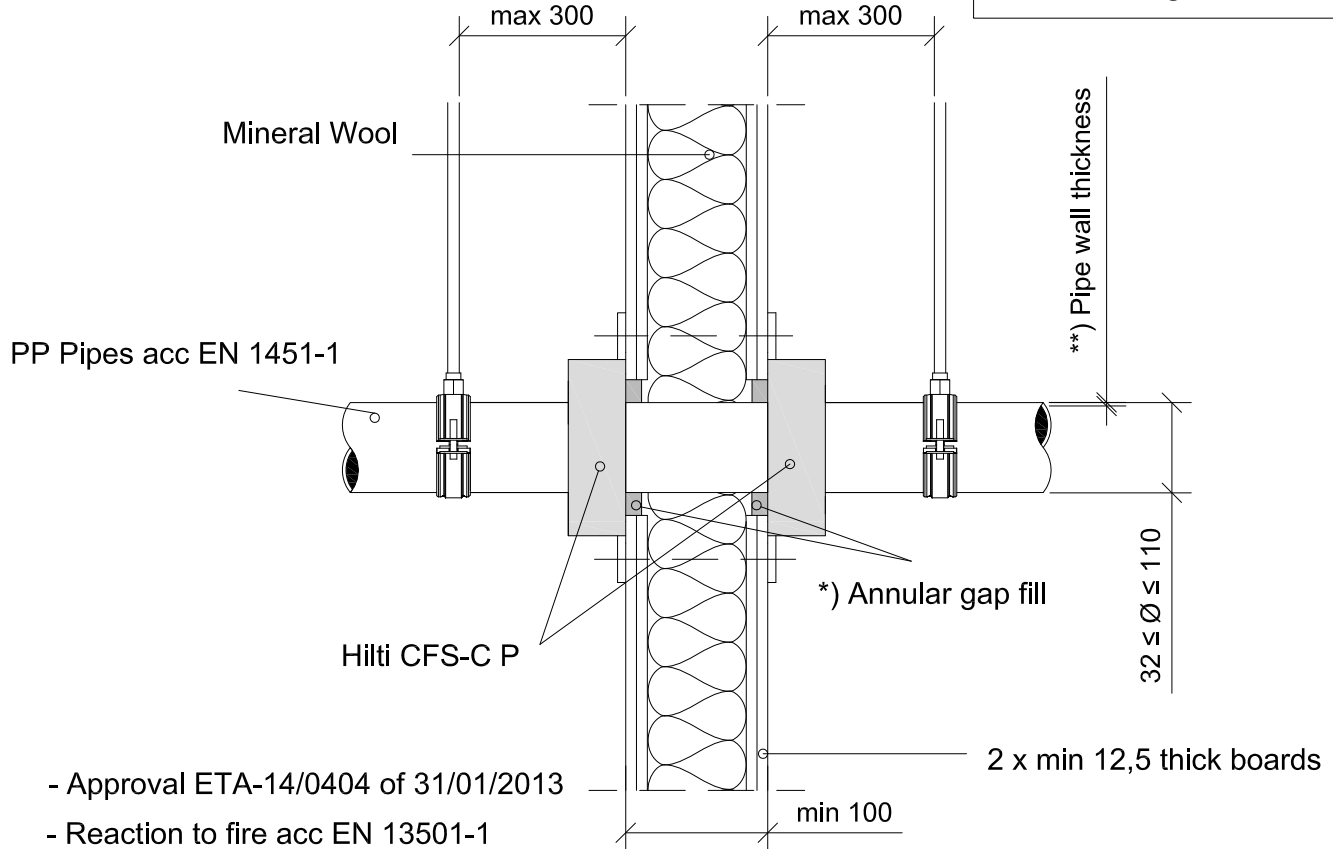
REV

00

No scale

All units are in millimetres

Fire Rating EI 120 U/U



- Approval ETA-14/0404 of 31/01/2013
- Reaction to fire acc EN 13501-1
- Fire resistance test acc 1366-3
- Installation according to Hilti instructions

Sound Insulation for flexible wall

$$D_{n,w} = 60 \text{ dB}$$

$$R_w = 53 \text{ dB}$$

*) Annular gap fill material

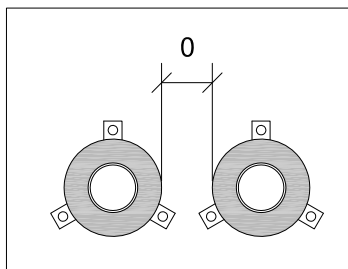
Hilti Firestop Acrylic Sealant CFS-S ACR on both sides with depth > 25 mm from the surface of the wall.

Gypsum plaster or cementitious mortar over the entire thickness of the wall.

**) Pipe wall thickness

Pipe Ø	Pipe wall thickness	Collar Size
32	1.8	CFS-C P 50/1.5"
40	1.8	CFS-C P 50/1.5"
50	1.8-2.0	CFS-C P 50/1.5"
70	4.5	CFS-C P 75/2.5"
75	1.8-3.8	CFS-C P 75/2.5"
90	2.8-4.5	CFS-C P 90/3"
110	2.7-5.3	CFS-C P 110/4"

Maximum thickness of sound decoupling: 9 mm



Zero distance between annular gap



CONTENTS

Straight plastic pipe in a flexible wall

ID

WW-FW-PP-0015

FIRESTOP COLLAR

0015_01

REV

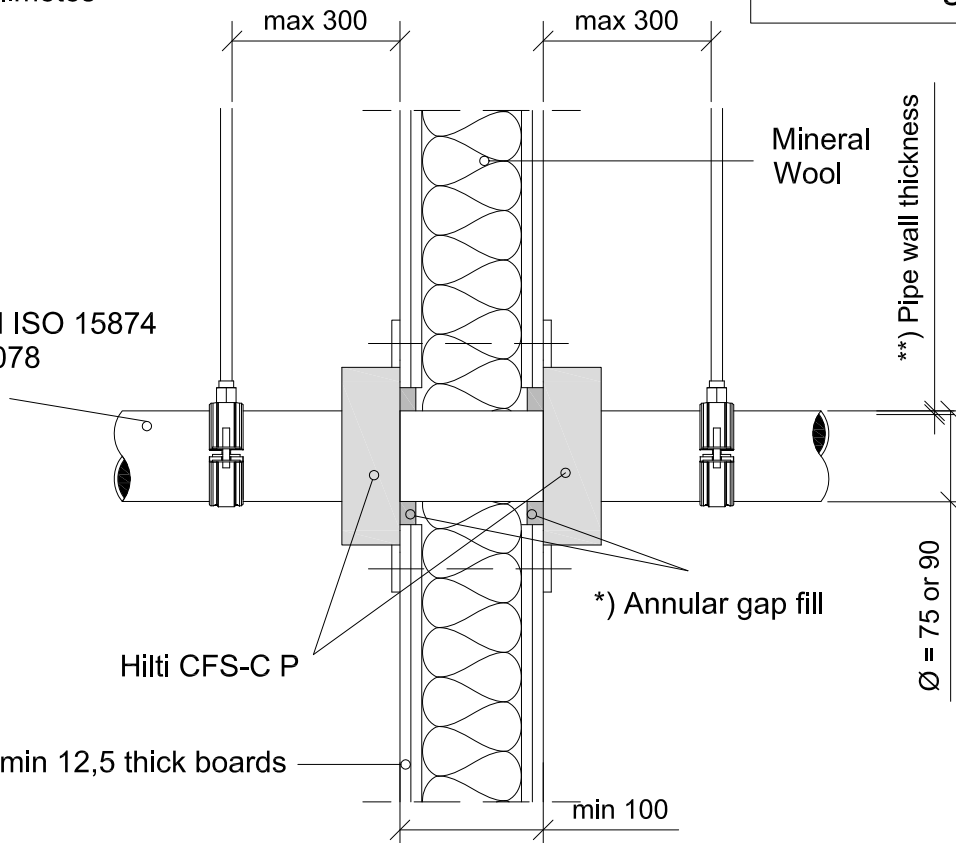
00

No scale

All units are in millimetres

Fire Rating EI 120 U/U

PP pipes acc EN ISO 15874 and DIN 8077/8078



- Approval ETA-14/0404 of 31/01/2013
- Reaction to fire acc EN 13501-1
- Fire resistance test acc 1366-3
- Installation according to Hilti instructions

Sound Insulation for flexible wall

*) Annular gap fill material

Hilti Firestop Acrylic Sealant CFS-S ACR on both sides with depth > 25 mm from the surface of the wall.

Gypsum plaster or cementious mortar over the entire thickness of the wall.

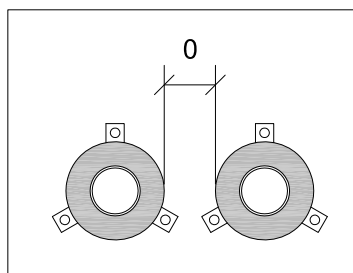
$$D_{n,w} = 60 \text{ dB}$$

$$R_w = 53 \text{ dB}$$

**) Pipe wall thickness

Pipe Ø	Pipe wall thickness	Collar Size
75	6.8-12.5	CFS-C P 75/2.5"
90	8.2-15.0	CFS-C P 90/3"

Maximum thickness of sound decoupling: 9 mm



Zero distance between annular gap



CONTENTS

Straight plastic pipe in a flexible wall

ID

WW-FW-PP-0018

FIRESTOP COLLAR

0018_01

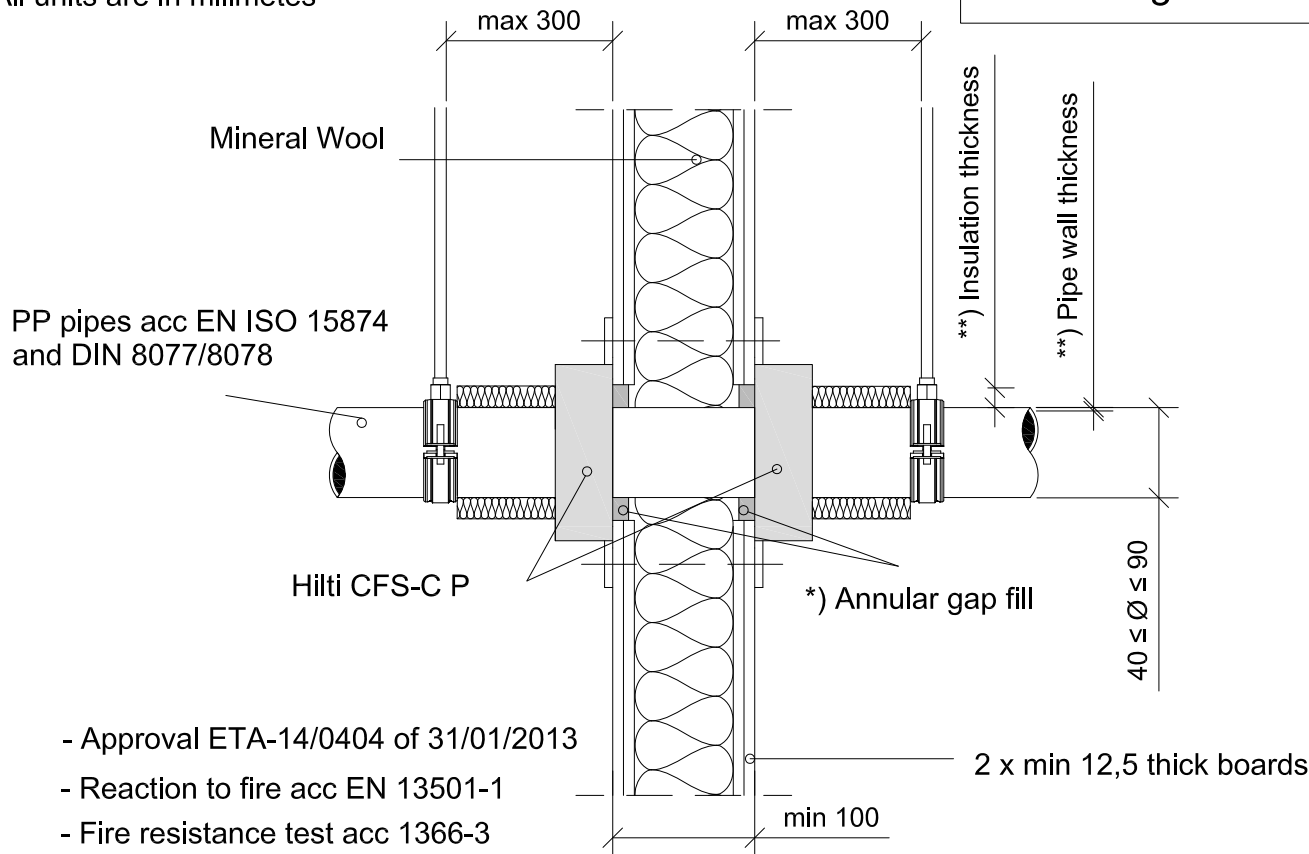
REV

00

No scale

All units are in millimetres

Fire Rating EI 120 U/C



- Approval ETA-14/0404 of 31/01/2013
- Reaction to fire acc EN 13501-1
- Fire resistance test acc 1366-3
- Installation according to Hilti instructions

*) Annular gap fill material

Hilti Firestop Acrylic Sealant CFS-S ACR on both sides with depth > 25 mm from the surface of the wall.

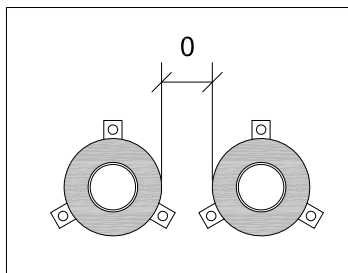
Gypsum plaster or cementious mortar over the entire thickness of the wall.

Sound Insulation for flexible wall

$$D_{n,w} = 60 \text{ dB}$$

$$R_w = 53 \text{ dB}$$

**) Pipe wall and insulation thickness (Armaflex AF) arrangement Local Insulation (length of insulation > 250 mm) or Continued insulation



Zero distance between annular gap

Pipe Ø	Pipe Wall Thickness	Insulation Thickness	Collar Size
40	3.7-5.5	9.0	CFS-C P 50/1.5"
50	4.6-6.9	9.0	CFS-C P 50/1.5"
75	6.8-10.3	9.0	CFS-C P 75/2.5"
90	10.0-15.1	10	CFS-C P 90/3"



CONTENTS

Straight plastic pipe in a flexible wall

ID

WW-FW-PP-0019

FIRESTOP COLLAR

0019_01

REV

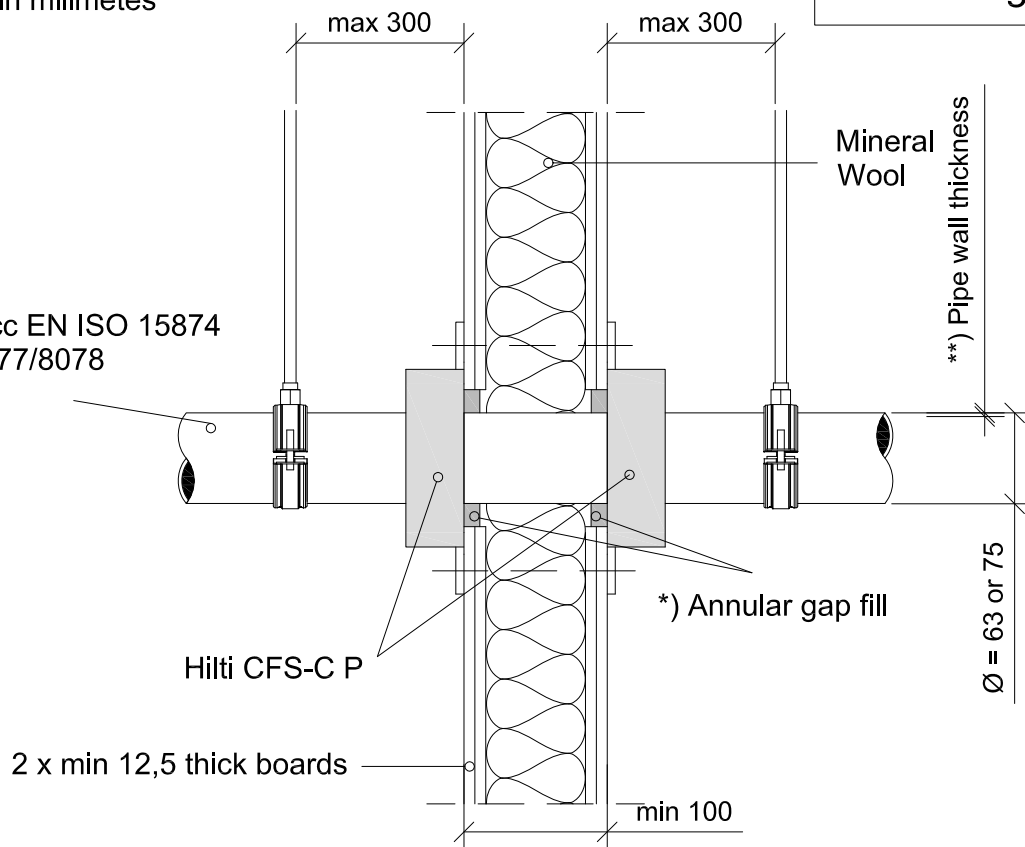
00

No scale

All units are in millimetres

Fire Rating EI 120 U/C

PP pipes acc EN ISO 15874 and DIN 8077/8078



- Approval ETA-14/0404 of 31/01/2013
- Reaction to fire acc EN 13501-1
- Fire resistance test acc 1366-3
- Installation according to Hilti instructions

*) Annular gap fill material

Hilti Firestop Acrylic Sealant CFS-S ACR on both sides with depth > 15 mm from the surface of the wall.

Gypsum plaster or cementitious mortar over the entire thickness of the wall.

Sound Insulation for flexible wall

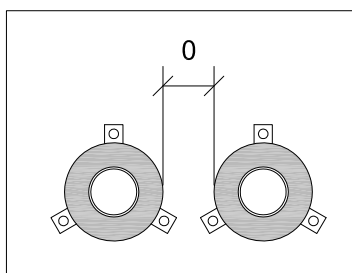
$$D_{n,w} = 60 \text{ dB}$$

$$R_w = 53 \text{ dB}$$

**) Pipe wall thickness

Pipe Ø	Pipe wall thickness	Collar Size
63	10.5	CFS-C P 63/2"
75	6.8	CFS-C P 75/2.5"

Maximum thickness of sound decoupling: 9 mm



Zero distance between annular gap



CONTENTS

Straight plastic pipe in a flexible wall

ID

WW-FW-PP-0020

FIRESTOP COLLAR

0020_01

REV

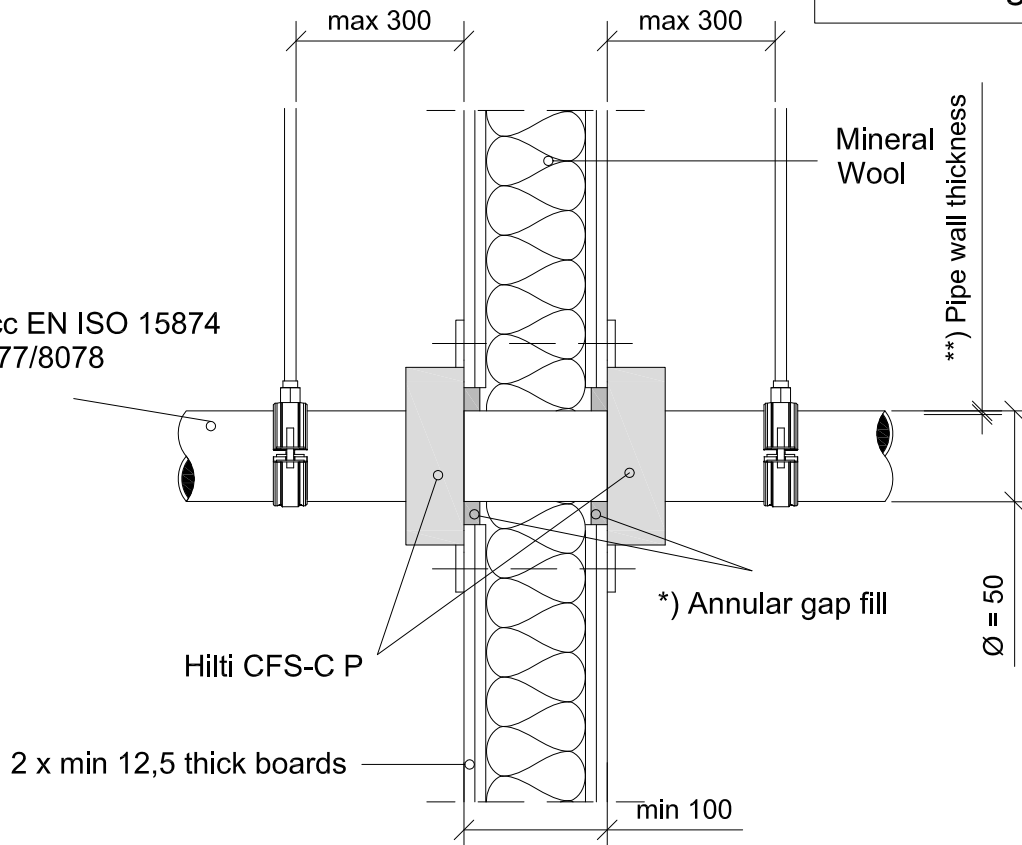
00

No scale

All units are in millimetres

Fire Rating EI 90 U/U

PP pipes acc EN ISO 15874 and DIN 8077/8078



*) Annular gap fill material

Hilti Firestop Acrylic Sealant CFS-S ACR on both sides with depth > 25 mm from the surface of the wall.

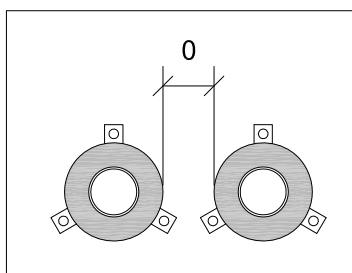
Gypsum plaster or cementitious mortar over the entire thickness of the wall.

- Approval ETA-14/0404 of 31/01/2013
- Reaction to fire acc EN 13501-1
- Fire resistance test acc 1366-3
- Installation according to Hilti instructions

Sound Insulation for flexible wall

$$D_{n,w} = 60 \text{ dB}$$

$$R_w = 53 \text{ dB}$$



Zero distance between annular gap

***) Pipe wall thickness

Pipe Ø	Pipe wall thickness	Collar Size
50	1.8-2.9	CFS-C P 50/1.5"

Maximum thickness of sound decoupling: 9 mm



CONTENTS

Straight plastic pipe in a flexible wall

ID

WW-FW-PP-0021

FIRESTOP COLLAR

0021_01

REV

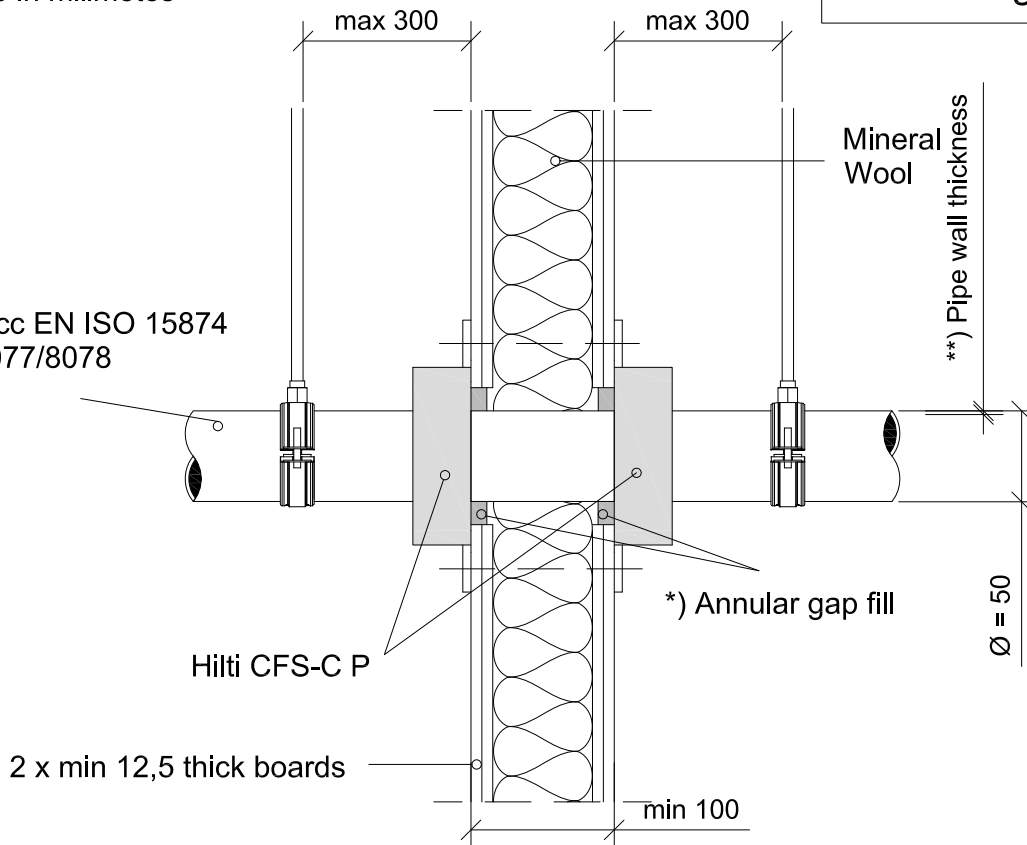
00

No scale

All units are in millimetres

Fire Rating EI 90 U/C

PP pipes acc EN ISO 15874 and DIN 8077/8078



*) Annular gap fill material

Hilti Firestop Acrylic Sealant CFS-S ACR on both sides with depth > 25 mm from the surface of the wall.

Gypsum plaster or cementitious mortar over the entire thickness of the wall.

- Approval ETA-14/0404 of 31/01/2013
- Reaction to fire acc EN 13501-1
- Fire resistance test acc 1366-3
- Installation according to Hilti instructions

Sound Insulation for flexible wall

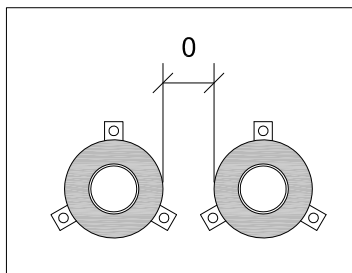
$$D_{n,w} = 60 \text{ dB}$$

$$R_w = 53 \text{ dB}$$

**) Pipe wall thickness

Pipe Ø	Inner pipe Ø	Collar Size
50	4.6-8.3	CFS-C P 50/1.5"

Maximum thickness of sound decoupling: 9 mm



Zero distance between annular gap



CONTENTS

Straight plastic pipe in a flexible wall

ID

WW-FW-PP-0022

FIRESTOP COLLAR

0022_01

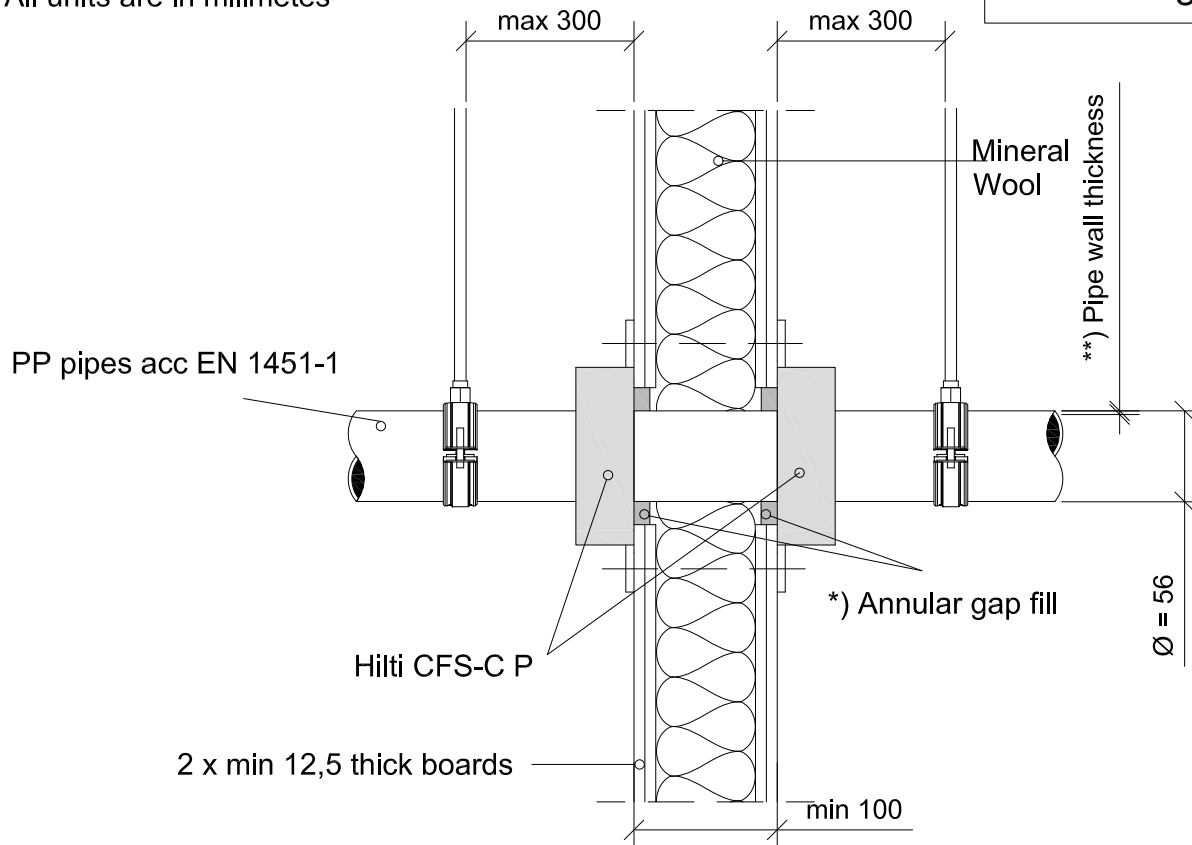
REV

00

No scale

All units are in millimetres

Fire Rating EI 90 U/C



*) Annular gap fill material

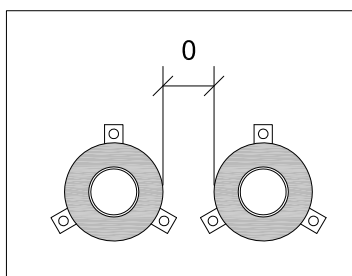
Hilti Firestop Acrylic Sealant CFS-S ACR on both sides with depth > 25 mm from the surface of the wall.

Gypsum plaster or cementitious mortar over the entire thickness of the wall.

- Approval ETA-14/0404 of 31/01/2013
- Reaction to fire acc EN 13501-1
- Fire resistance test acc 1366-3
- Installation according to Hilti instructions

Sound Insulation for flexible wall

$D_{n,w}$	= 60 dB
R_w	= 53 dB



Zero distance between annular gap

**) Pipe wall thickness

Pipe Ø	Pipe wall thickness	Collar Size
56	4.0	CFS-C P 63/2"

Maximum thickness of sound decoupling: 9 mm



CONTENTS

Straight plastic pipe in a flexible wall

ID

WW-FW-PP-0023

FIRESTOP COLLAR

0023_01

REV

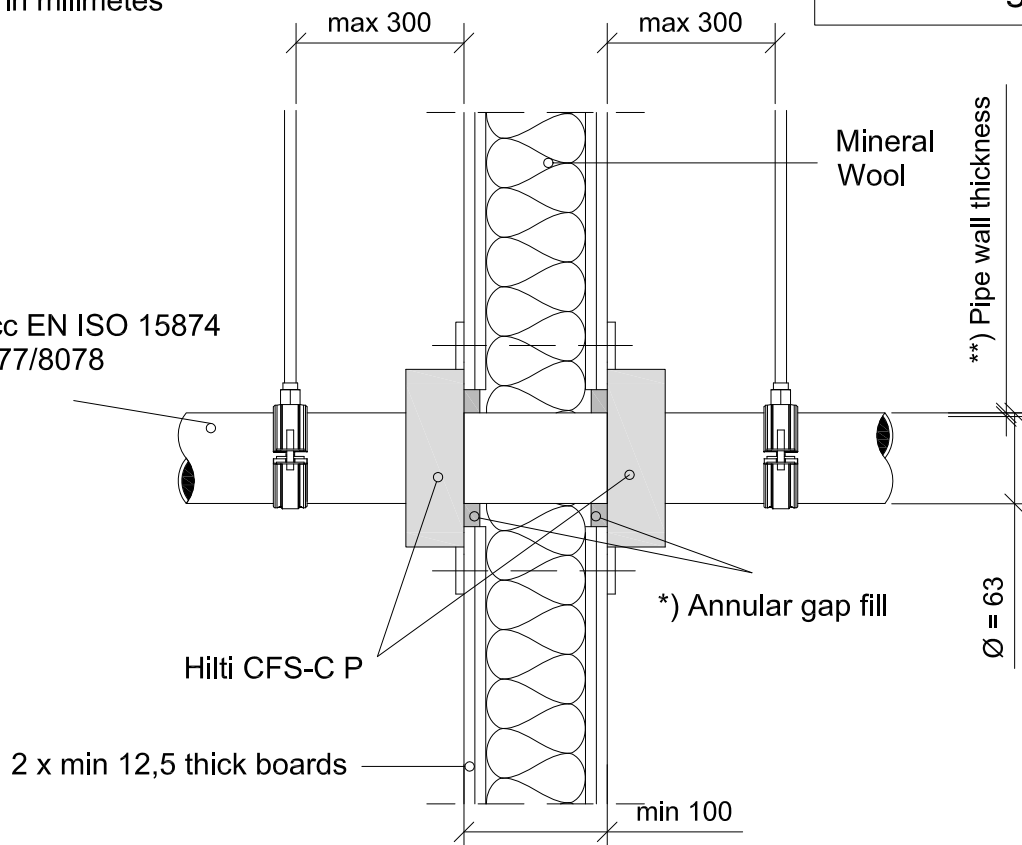
00

No scale

All units are in milimetres

Fire Rating EI 60 U/U

PP pipes acc EN ISO 15874 and DIN 8077/8078



*) Annular gap fill material

Hilti Firestop Acrylic Sealant CFS-S ACR on both sides with depth > 25 mm from the surface of the wall.

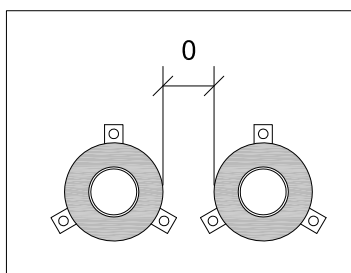
Gypsum plaster or cementitious mortar over the entire thickness of the wall.

- Approval ETA-14/0404 of 31/01/2013
- Reaction to fire acc EN 13501-1
- Fire resistance test acc 1366-3
- Installation according to Hilti instructions

Sound Insulation for flexible wall

$$D_{n,w} = 60 \text{ dB}$$

$$R_w = 53 \text{ dB}$$



Zero distance between annular gap

**) Pipe wall thickness

Pipe Ø	Pipe wall thickness	Collar Size
63	1.8-5.8	CFS-C P 63/2"

Maximum thickness of sound decoupling: 9 mm



CONTENTS

Straight plastic pipe in a flexible wall

ID

WW-FW-PP-0024

FIRESTOP COLLAR

0024_01

REV

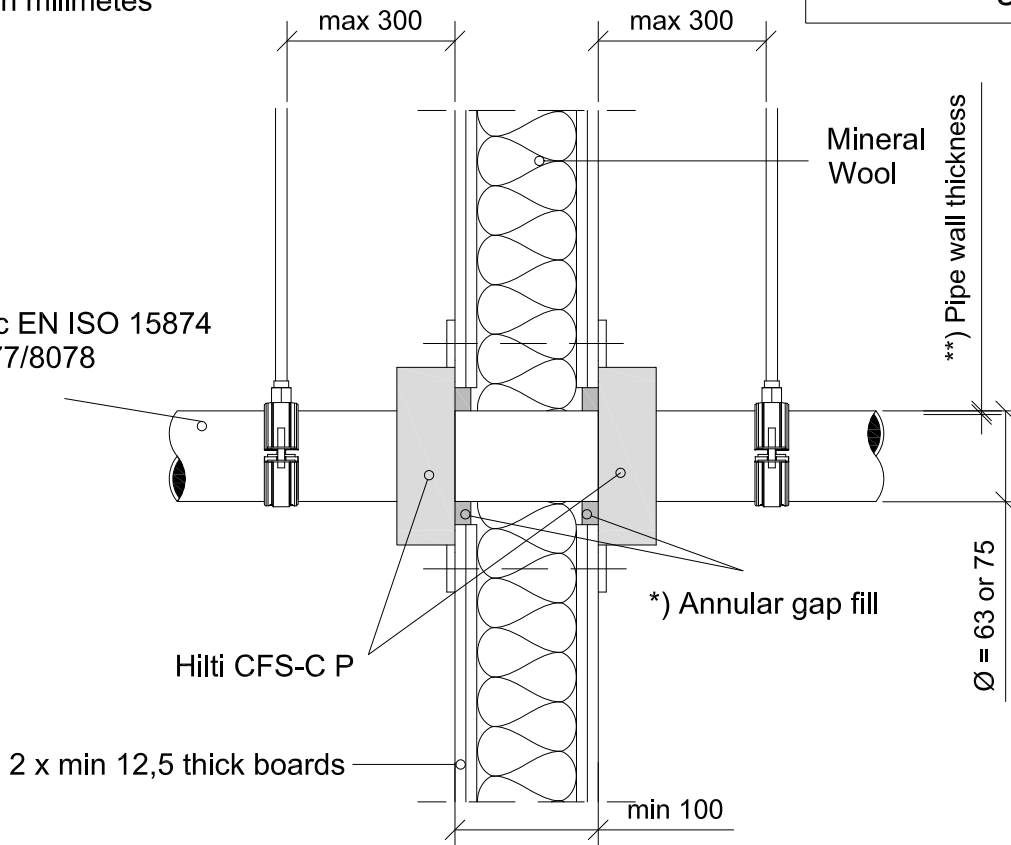
00

No scale

All units are in millimetres

Fire Rating EI 60 U/C

PP pipes acc EN ISO 15874 and DIN 8077/8078



- Approval ETA-14/0404 of 31/01/2013
- Reaction to fire acc EN 13501-1
- Fire resistance test acc 1366-3
- Installation according to Hilti instructions

*) Annular gap fill material

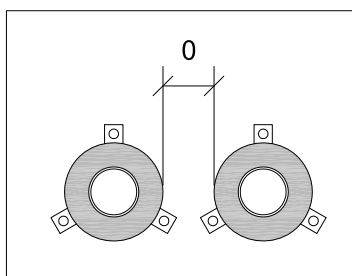
Hilti Firestop Acrylic Sealant CFS-S ACR on both sides with depth > 25 mm from the surface of the wall.

Gypsum plaster or cementitious mortar over the entire thickness of the wall.

Sound Insulation for flexible wall

$$D_{n,w} = 60 \text{ dB}$$

$$R_w = 53 \text{ dB}$$



Zero distance between annular gap

**) Pipe wall thickness

Pipe Ø	Pipe wall thickness	Collar Size
63	5.8-10.5	CFS-C P 63/2"
75	1.9-6.8	CFS-C P 75/2.5"

Maximum thickness of sound decoupling: 9 mm



CONTENTS

Straight plastic pipe in a flexible wall

ID

WW-FW-PP-0027

FIRESTOP COLLAR

0027_01

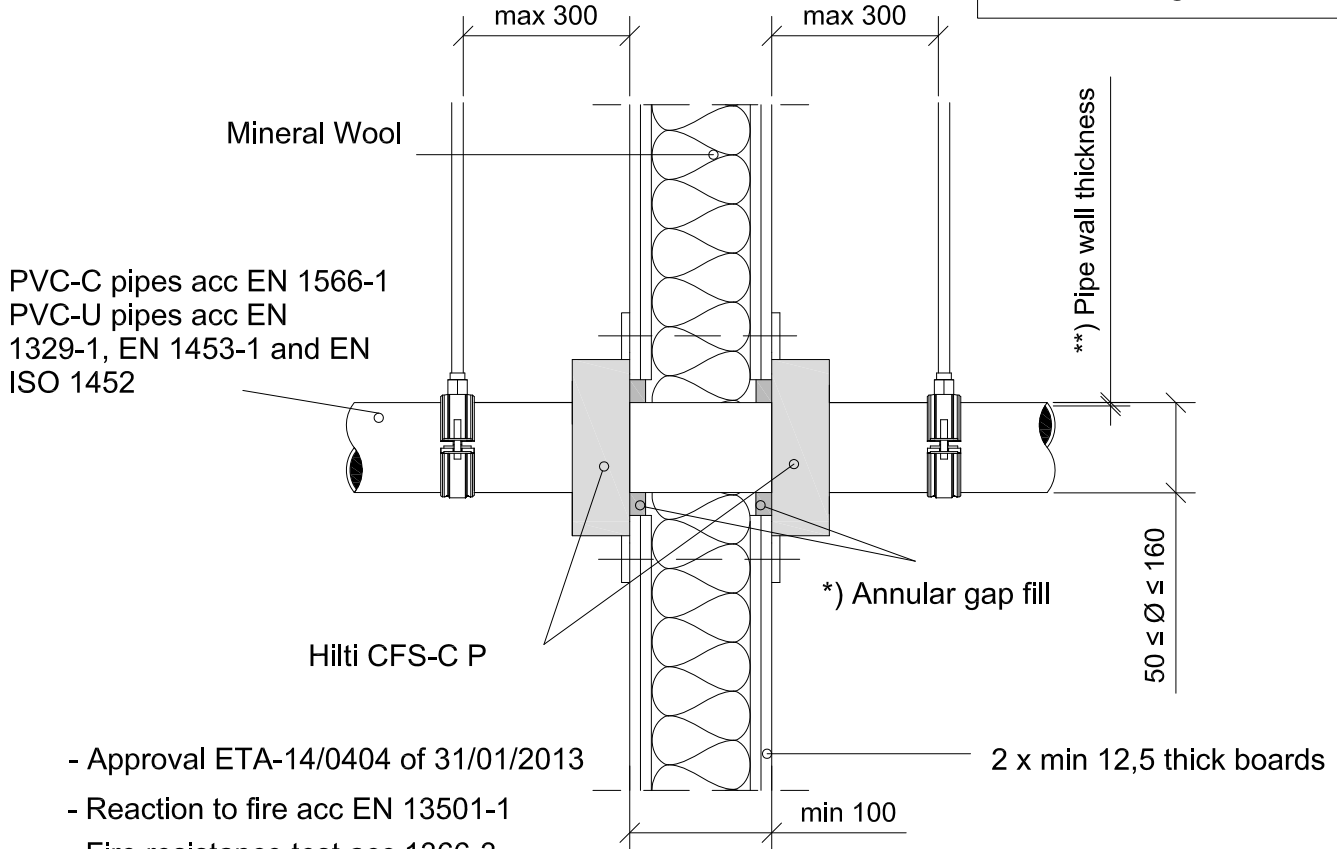
REV

00

No scale

All units are in millimetres

Fire Rating EI 120 U/U



- Approval ETA-14/0404 of 31/01/2013
- Reaction to fire acc EN 13501-1
- Fire resistance test acc 1366-3
- Installation according to Hilti instructions

Sound Insulation for flexible wall

$$D_{n,w} = 60 \text{ dB}$$

$$R_w = 53 \text{ dB}$$

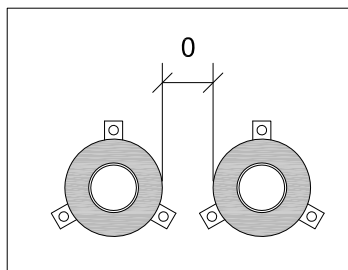
*) Annular gap fill material

Hilti Firestop Acrylic Sealant CFS-S ACR on both sides with depth > 15 mm from the surface of the wall.

Gypsum plaster or cementitious mortar over the entire thickness of the wall.

**) Pipe wall thickness

Pipe Ø	Pipe Wall Thickness	Collar Size
50	2.4-5.6	CFS-C P 50/1.5"
63	3.0-4.7	CFS-C P 63/2"
75	2.2-3.6	CFS-C P 75/2.5"
90	2.7-4.3	CFS-C P 90/3"
110	2.2-8.1	CFS-C P 110/4"
125	3.7-6.0	CFS-C P 125/5"
160	2.5-11.8	CFS-C P 160/6"



Zero distance between annular gap



CONTENTS

Straight plastic pipe in a rigid wall

ID

WW-RW-PP-0035

FIRESTOP COLLAR

0035_01

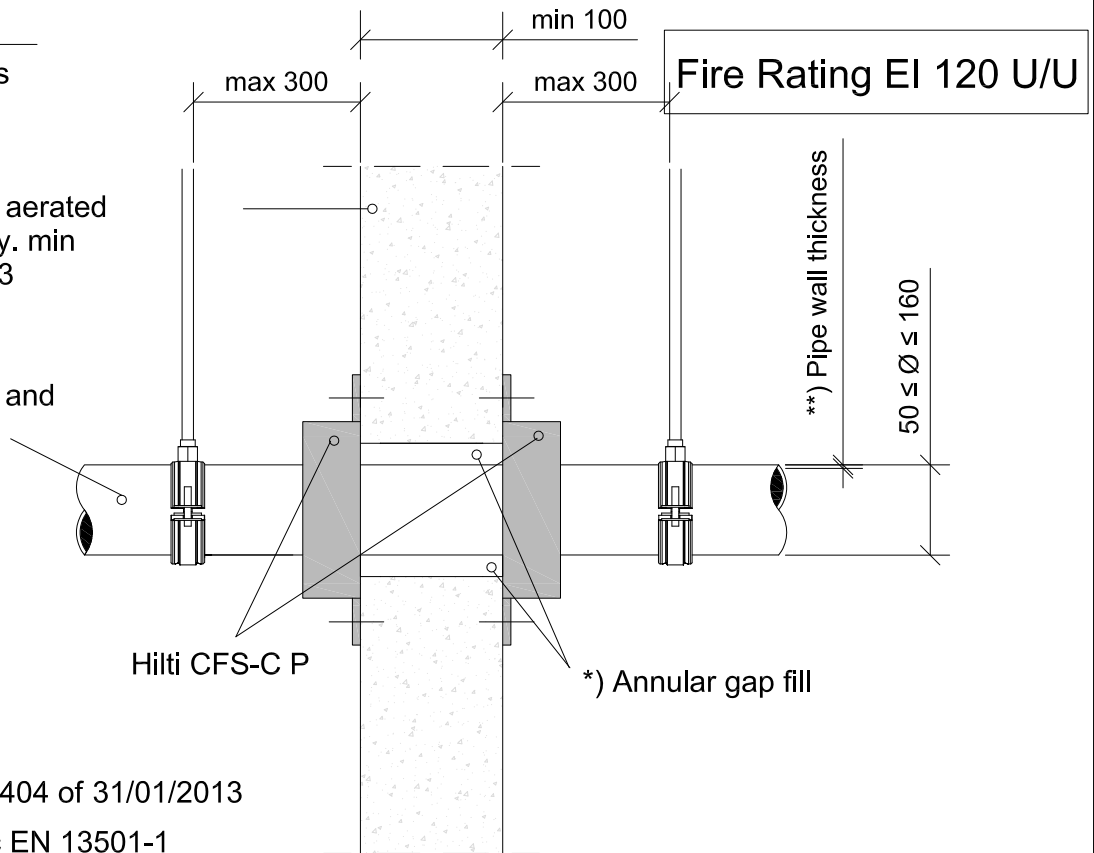
REV
00

No scale

All units are in millimetres

Comprise concrete, aerated concrete or masonry. min density of 450 kg/m³

PE acc EN 1519-17 and EN 12666-1



- Approval ETA-14/0404 of 31/01/2013
- Reaction to fire acc EN 13501-1
- Fire resistance test acc 1366-3
- Installation according to Hilti instructions

Sound Insulation for rigid wall

CFS-C ACR	Cementitious mortar
$D_{n,w} = 58 \text{ dB}$	$D_{n,w} = 59 \text{ dB}$
$R_w = 51 \text{ dB}$	$R_w = 52 \text{ dB}$

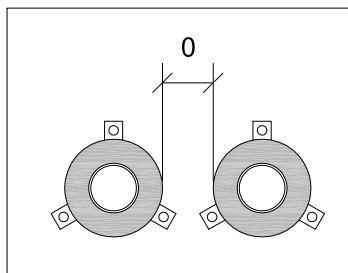
*) Annular gap fill material

Hilti Firestop Acrylic Sealant CFS-S ACR on both sides with depth > 25 mm from the surface of the wall.

Gypsum plaster or cementitious mortar over the entire thickness of the wall.

**) Pipe wall thickness

Pipe Ø	Pipe wall thickness	Collar Size
50	3.0	CFS-C P 50/1.5"
63	3.0	CFS-C P 63/2"
75	3.0	CFS-C P 75/2.5"
90	3.5	CFS-C P 90/3"
110	4.2	CFS-C P 110/4"
125	4.8	CFS-C P 125/5"
160	6.2	CFS-C P 160/6"



Zero distance between annular gap

Maximum thickness of sound decoupling: 5 mm



CONTENTS

Straight plastic pipe in a rigid wall

ID

WW-RW-PP-0036

FIRESTOP COLLAR

0036_01

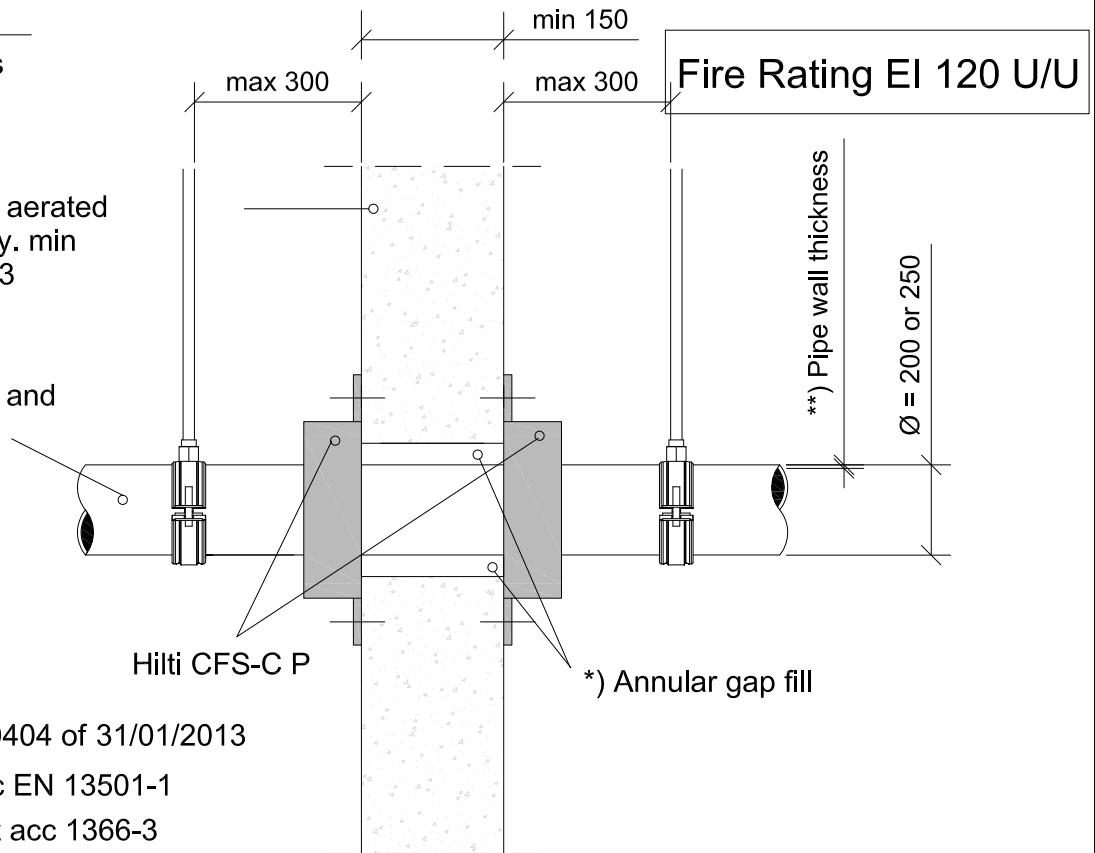
REV
00

No scale

All units are in millimetres

Comprise concrete, aerated concrete or masonry. min density of 650 kg/m³

PE acc EN 1519-17 and EN 12666-1



- Approval ETA-14/0404 of 31/01/2013
- Reaction to fire acc EN 13501-1
- Fire resistance test acc 1366-3
- Installation according to Hilti instructions

Sound Insulation for rigid wall

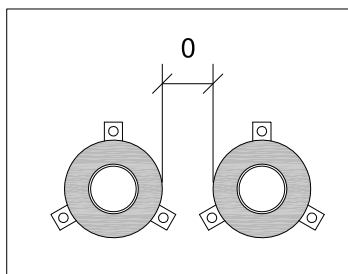
*) Annular gap fill material

Hilti Firestop Acrylic Sealant CFS-S ACR on both sides with depth > 25 mm from the surface of the wall.

Gypsum plaster or cementitious mortar over the entire thickness of the wall.

CFS-C ACR	Cementitious mortar
$D_{n,w} = 58 \text{ dB}$	$D_{n,w} = 59 \text{ dB}$
$R_w = 51 \text{ dB}$	$R_w = 52 \text{ dB}$

**) Pipe wall thickness



Zero distance between annular gap

Pipe Ø	Pipe wall thickness	Collar Size
200	6.2	CFS-C P 200/8"
250	7.8	CFS-C P 250/10"

Maximum thickness of sound decoupling: 5 mm



CONTENTS

Straight plastic pipe in a rigid wall

ID

WW-RW-PP-0052

FIRESTOP COLLAR

0052_01

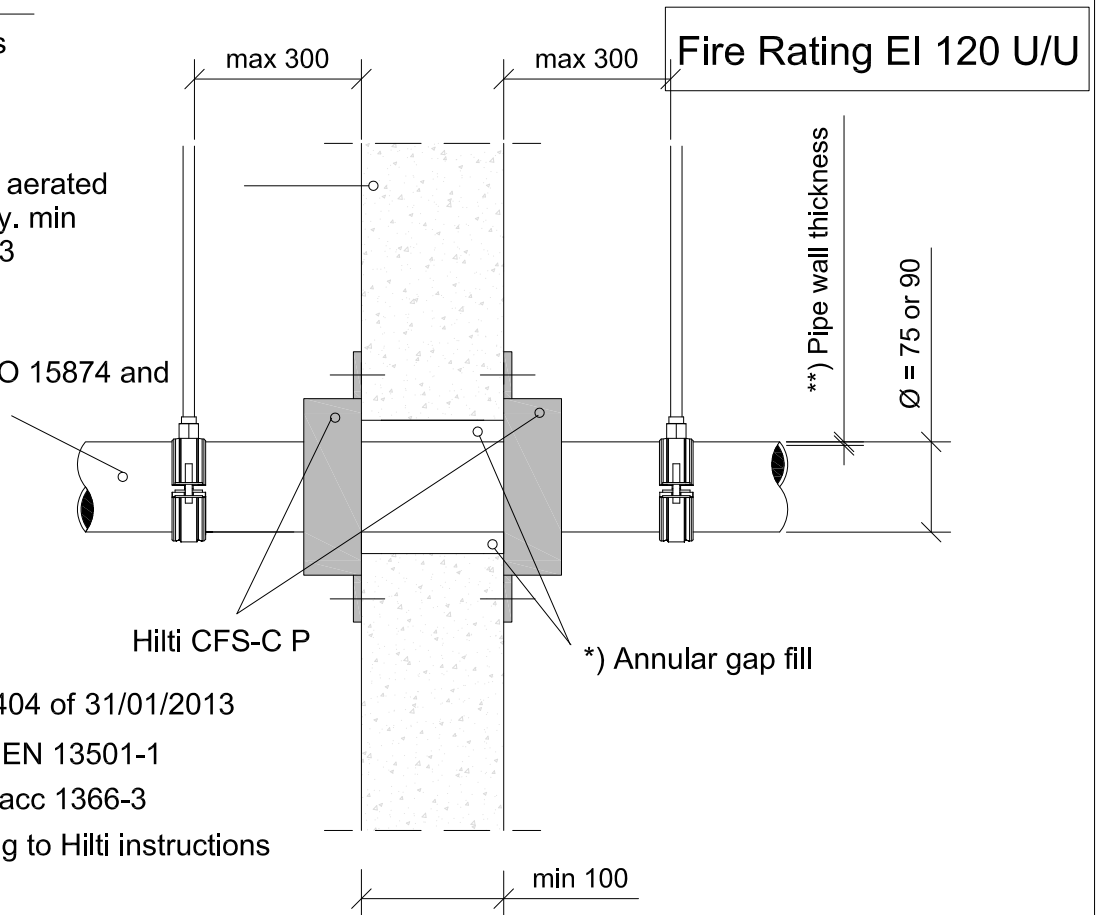
REV
00

No scale

All units are in millimetres

Comprise concrete, aerated concrete or masonry. min density of 450 kg/m³

PP pipes acc EN ISO 15874 and DIN 8077/8078



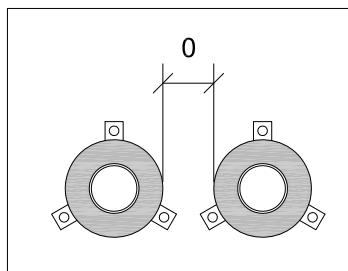
- Approval ETA-14/0404 of 31/01/2013
- Reaction to fire acc EN 13501-1
- Fire resistance test acc 1366-3
- Installation according to Hilti instructions

*) Annular gap fill material

Hilti Firestop Acrylic Sealant CFS-S ACR on both sides with depth > 25 mm from the surface of the wall.
Gypsum plaster or cementitious mortar over the entire thickness of the wall.

Sound Insulation for rigid wall

CFS-C ACR	Cementitious mortar
$D_{n,w} = 58 \text{ dB}$	$D_{n,w} = 59 \text{ dB}$
$R_w = 51 \text{ dB}$	$R_w = 52 \text{ dB}$



Zero distance between annular gap

***) Pipe wall thickness

Pipe Ø	Pipe wall thickness	Collar Size
75	6.8-12.5	CFS-C P 75/2.5"
90	8.2-15.0	CFS-C P 90/3"

Maximum thickness of sound decoupling: 9 mm



CONTENTS

Straight plastic pipe in a rigid wall

ID

WW-RW-PP-0053

FIRESTOP COLLAR

0053_01

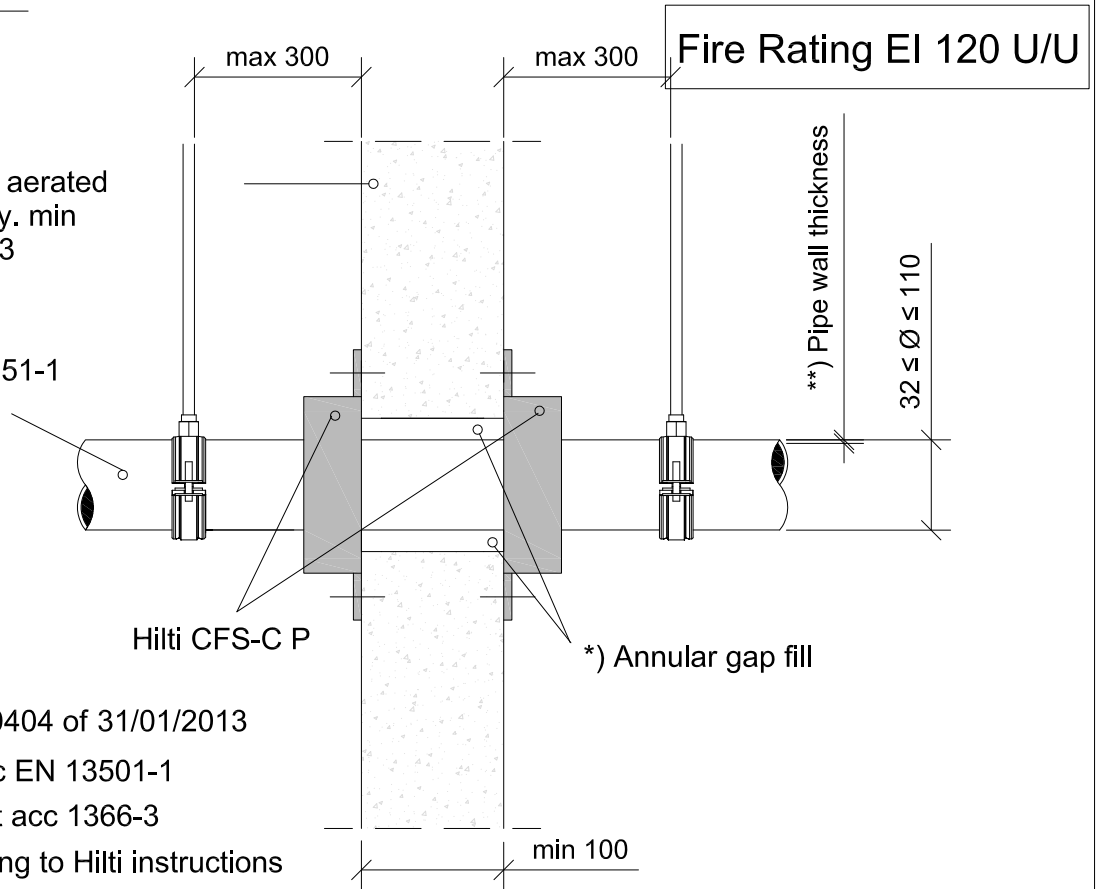
REV
00

No scale

All units are in millimetres

Comprise concrete, aerated concrete or masonry. min density of 450 kg/m³

PP pipes acc EN 1451-1



- Approval ETA-14/0404 of 31/01/2013
- Reaction to fire acc EN 13501-1
- Fire resistance test acc 1366-3
- Installation according to Hilti instructions

*) Annular gap fill material

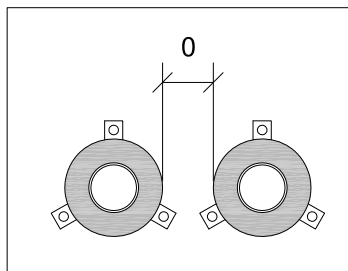
Hilti Firestop Acrylic Sealant CFS-S ACR on both sides with depth > 25 mm from the surface of the wall.

Gypsum plaster or cementitious mortar over the entire thickness of the wall.

Sound Insulation for rigid wall

CFS-C ACR	Cementitious mortar
$D_{n,w} = 58$ dB	$D_{n,w} = 59$ dB
$R_w = 51$ dB	$R_w = 52$ dB

***) Pipe wall thickness



Zero distance between annular gap

Pipe Ø	Pipe wall thickness	Collar Size
32	1.8	CFS-C P 50/1.5"
40	1.8	CFS-C P 50/1.5"
50	1.8-2.0	CFS-C P 50/1.5"
70	4.5	CFS-C P 75/2.5"
75	1.8-3.8	CFS-C P 75/2.5"
90	2.8-4.5	CFS-C P 90/3"
110	2.7-5.3	CFS-C P 110/4"

Maximum thickness of sound decoupling: 9 mm



CONTENTS

Straight plastic pipe in a rigid wall

ID

WW-RW-PP-0056

FIRESTOP COLLAR

0056_01

REV

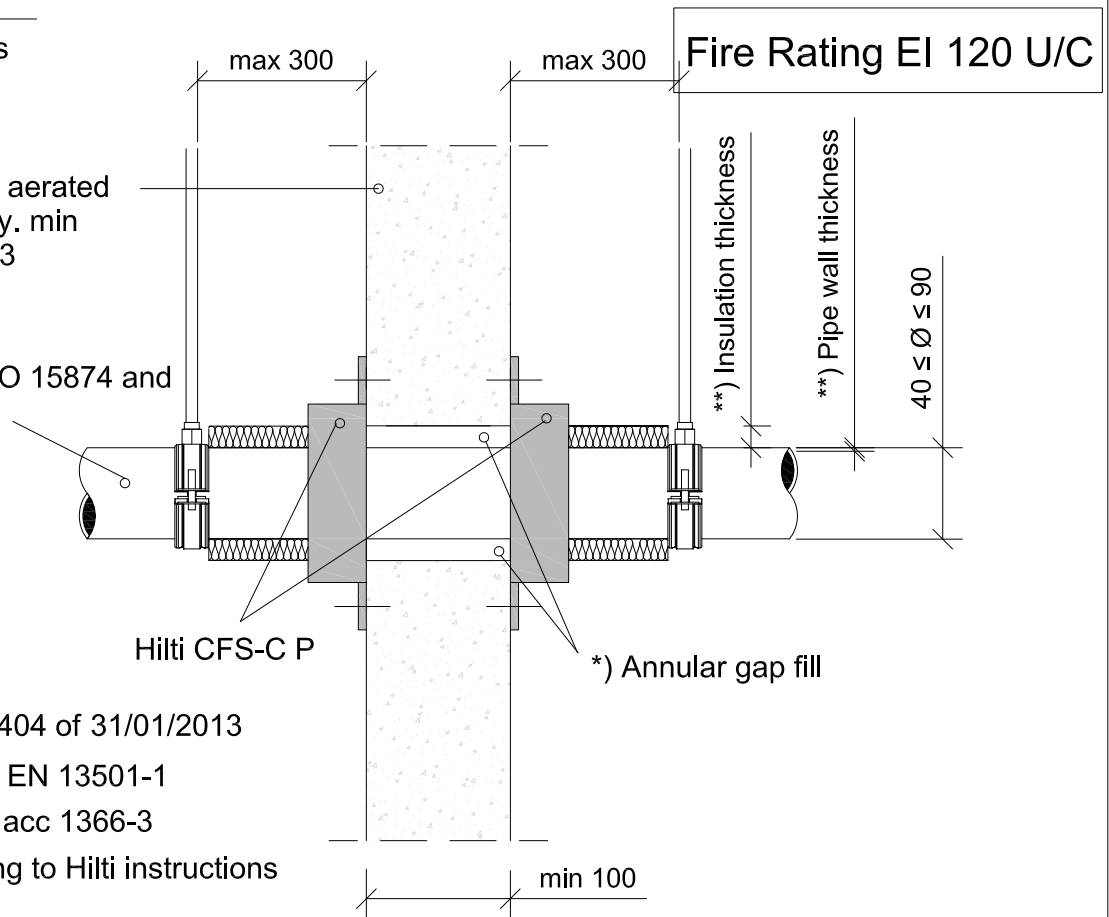
00

No scale

All units are in millimetres

Comprise concrete, aerated concrete or masonry. min density of 450 kg/m³

PP pipes acc EN ISO 15874 and DIN 8077/8078



- Approval ETA-14/0404 of 31/01/2013
- Reaction to fire acc EN 13501-1
- Fire resistance test acc 1366-3
- Installation according to Hilti instructions

*) Annular gap fill material

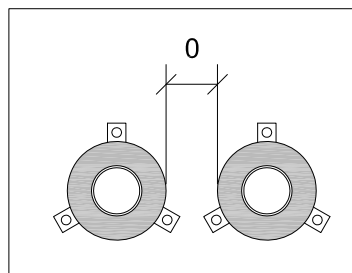
Hilti Firestop Acrylic Sealant CFS-S ACR on both sides with depth > 25 mm from the surface of the wall.

Gypsum plaster or cementitious mortar over the entire thickness of the wall.

Sound Insulation for rigid wall

CFS-C ACR	Cementitious mortar
$D_{n,w} = 58$ dB	$D_{n,w} = 59$ dB
$R_w = 51$ dB	$R_w = 52$ dB

**) Pipe wall and insulation thickness (Armaflex AF) arrangement Local Insulation (length of insulation > 250 mm) or Continued insulation



Zero distance between annular gap

Pipe Ø	Pipe Wall Thickness	Insulation Thickness	Collar Size
40	3.7-5.5	9.0	CFS-C P 50/1.5"
50	4.6-6.9	9.0	CFS-C P 50/1.5"
75	6.8-10.3	9.0	CFS-C P 75/2.5"
90	10.0-15.1	10	CFS-C P 90/3"



CONTENTS

Straight plastic pipe in a rigid wall

ID

WW-RW-PP-0057

FIRESTOP COLLAR

0057_01

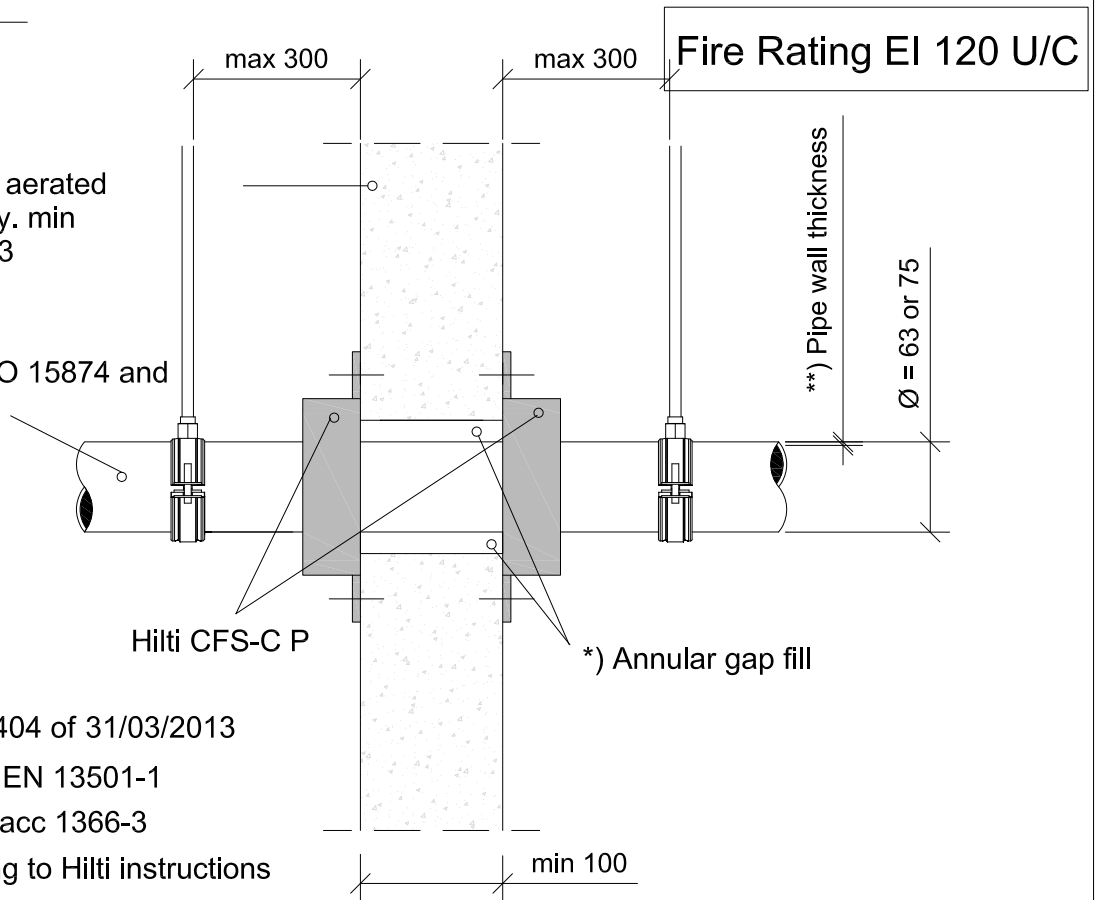
REV
00

No scale

All units are in millimetres

Comprise concrete, aerated concrete or masonry. min density of 450 kg/m³

PP pipes acc EN ISO 15874 and DIN 8077/8078



- Approval ETA-14/0404 of 31/03/2013
- Reaction to fire acc EN 13501-1
- Fire resistance test acc 1366-3
- Installation according to Hilti instructions

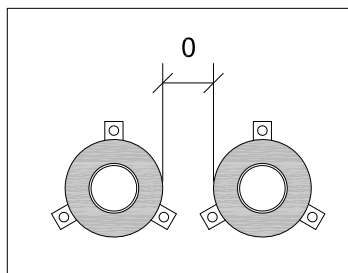
*) Annular gap fill material

Hilti Firestop Acrylic Sealant CFS-S ACR on both sides with depth > 25 mm from the surface of the wall.

Gypsum plaster or cementitious mortar over the entire thickness of the wall.

Sound Insulation for rigid wall

CFS-C ACR	Cementitious mortar
$D_{n,w} = 58$ dB	$D_{n,w} = 59$ dB
$R_w = 51$ dB	$R_w = 52$ dB



Zero distance between annular gap

***) Pipe wall thickness

Pipe Ø	Pipe wall thickness	Collar Size
63	10.5	CFS-C P 63/2"
75	6.8	CFS-C P 75/2.5"

Maximum thickness of sound decoupling: 9 mm



CONTENTS

Straight plastic pipe in a rigid wall

ID

WW-RW-PP-0058

FIRESTOP COLLAR

0058_01

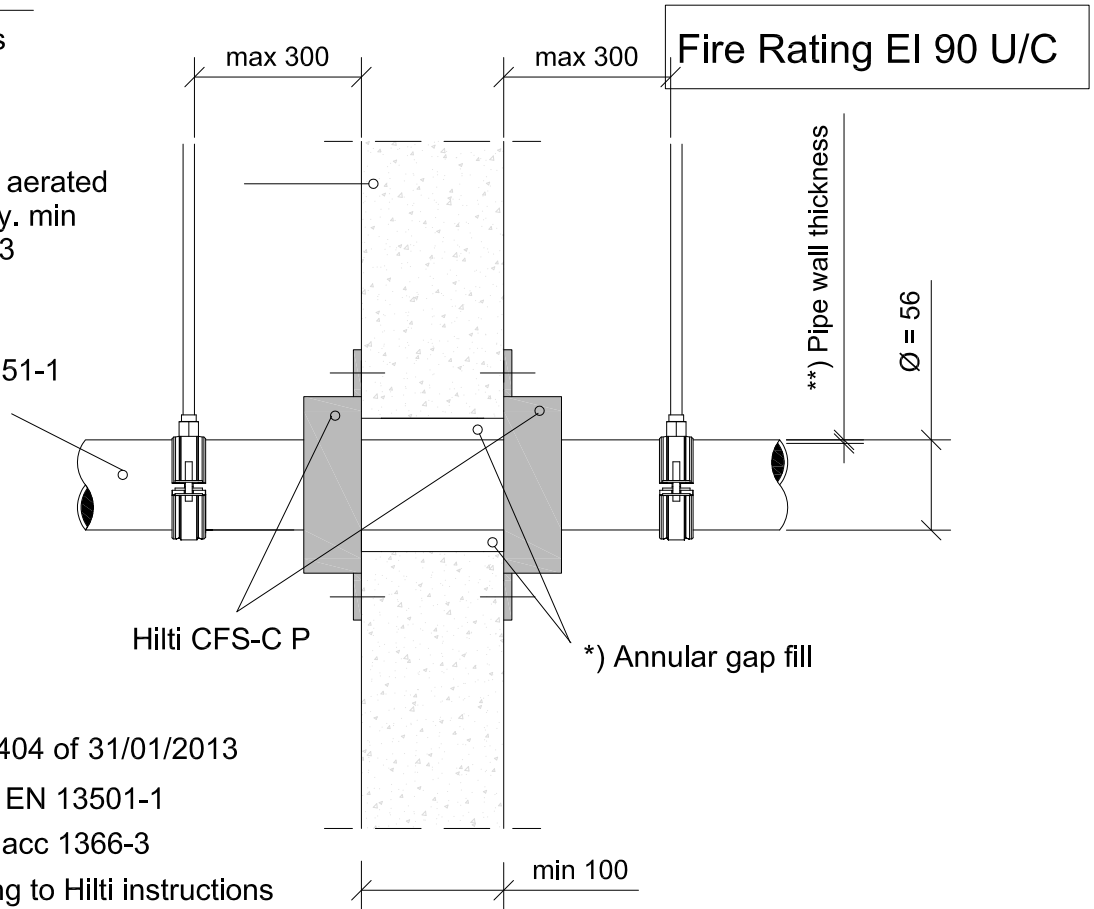
REV
00

No scale

All units are in millimetres

Comprise concrete, aerated concrete or masonry. min density of 450 kg/m³

PP pipes acc EN 1451-1



- Approval ETA-14/0404 of 31/01/2013
- Reaction to fire acc EN 13501-1
- Fire resistance test acc 1366-3
- Installation according to Hilti instructions

*) Annular gap fill material

Hilti Firestop Acrylic Sealant CFS-S ACR on both sides with depth > 25 mm from the surface of the wall.

Gypsum plaster or cementitious mortar over the entire thickness of the wall.

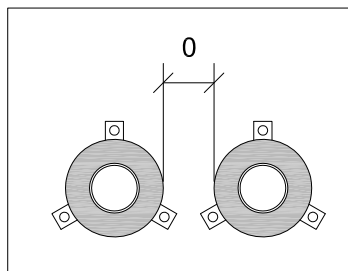
Sound Insulation for rigid wall

CFS-C ACR	Cementitious mortar
$D_{n,w} = 58 \text{ dB}$	$D_{n,w} = 59 \text{ dB}$
$R_w = 51 \text{ dB}$	$R_w = 52 \text{ dB}$

**) Pipe wall thickness

Pipe \varnothing	Pipe wall thickness	Collar Size
56	4.0	CFS-C P 63/2"

Maximum thickness of sound decoupling: 9 mm



Zero distance between annular gap



CONTENTS

Straight plastic pipe in a rigid wall

ID

WW-RW-PP-0059

FIRESTOP COLLAR

0059_01

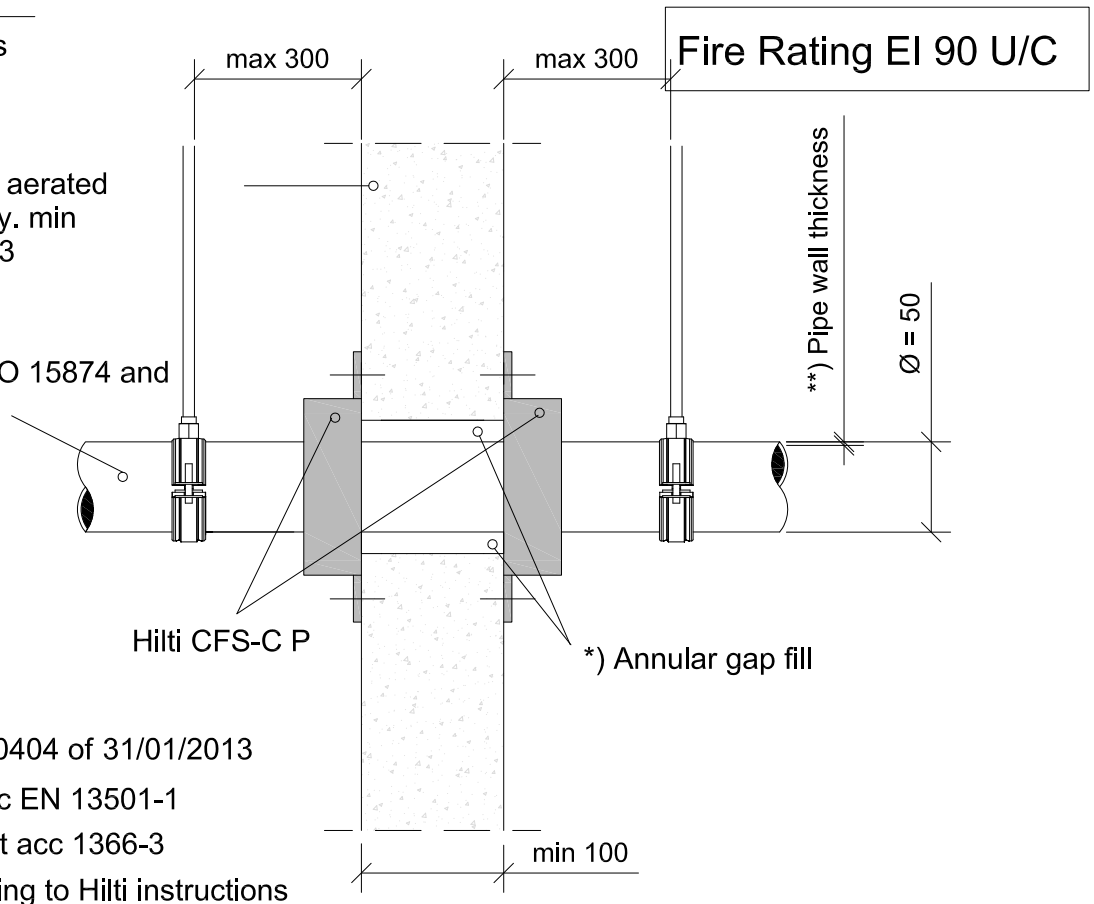
REV
00

No scale

All units are in millimetres

Comprise concrete, aerated concrete or masonry. min density of 450 kg/m³

PP pipes acc EN ISO 15874 and DIN 8077/8078



- Approval ETA-14/0404 of 31/01/2013
- Reaction to fire acc EN 13501-1
- Fire resistance test acc 1366-3
- Installation according to Hilti instructions

*') Annular gap fill material

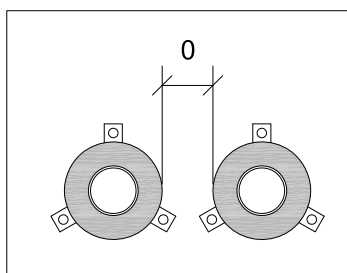
Hilti Firestop Acrylic Sealant CFS-S ACR on both sides with depth > 25 mm from the surface of the wall.

Gypsum plaster or cementitious mortar over the entire thickness of the wall.

Sound Insulation for rigid wall

CFS-C ACR	Cementitious mortar
$D_{n,w} = 58 \text{ dB}$	$D_{n,w} = 59 \text{ dB}$
$R_w = 51 \text{ dB}$	$R_w = 52 \text{ dB}$

**') Pipe wall thickness



Zero distance between annular gap

Pipe Ø	Pipe wall thickness	Collar Size
50	4.6-8.3	CFS-C P 50/1.5"

Maximum thickness of sound decoupling: 9 mm



CONTENTS

Straight plastic pipe in a rigid wall

ID

WW-RW-PP-0060

FIRESTOP COLLAR

0060_01

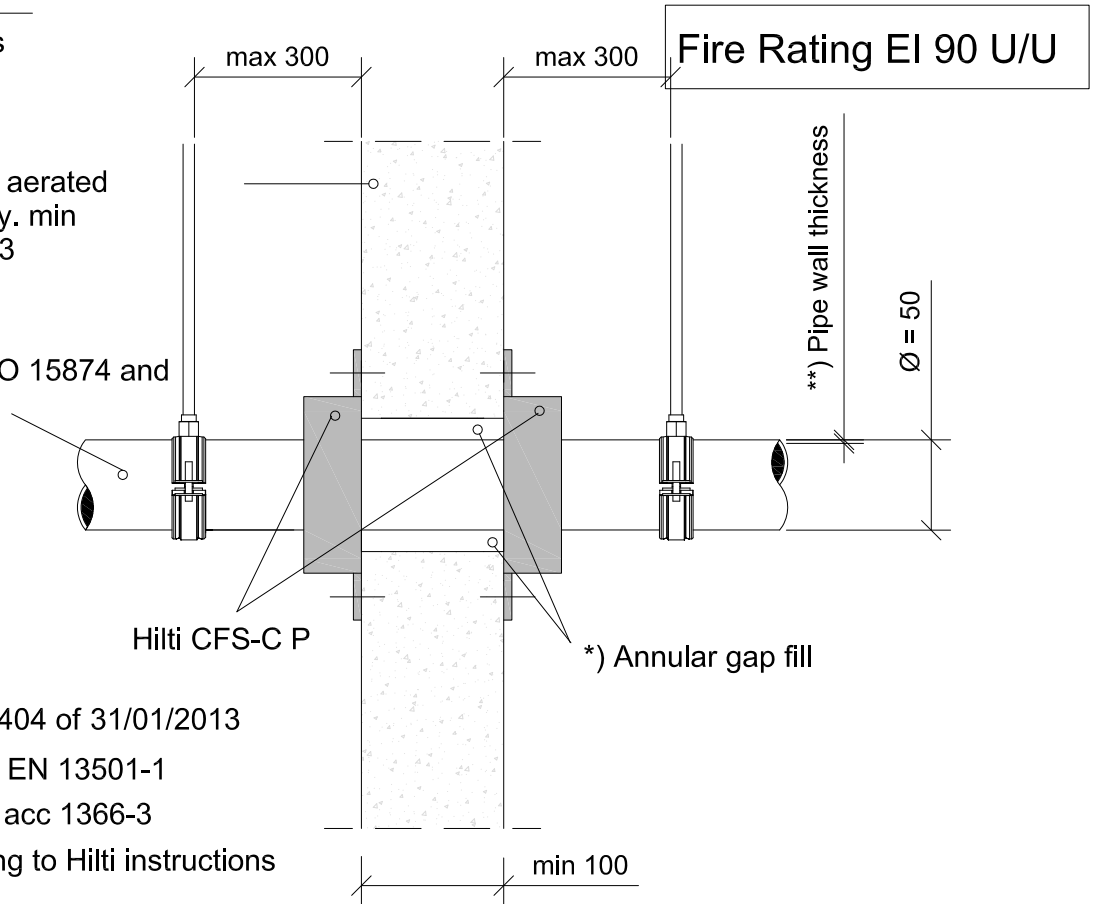
REV
00

No scale

All units are in millimetres

Comprise concrete, aerated concrete or masonry. min density of 450 kg/m³

PP pipes acc EN ISO 15874 and DIN 8077/8078



- Approval ETA-14/0404 of 31/01/2013
- Reaction to fire acc EN 13501-1
- Fire resistance test acc 1366-3
- Installation according to Hilti instructions

*) Annular gap fill material

Hilti Firestop Acrylic Sealant CFS-S ACR on both sides with depth > 25 mm from the surface of the wall.

Gypsum plaster or cementitious mortar over the entire thickness of the wall.

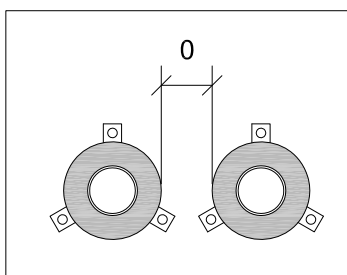
Sound Insulation for rigid wall

CFS-C ACR	Cementitious mortar
$D_{n,w} = 58$ dB	$D_{n,w} = 59$ dB
$R_w = 51$ dB	$R_w = 52$ dB

**) Pipe wall thickness

Pipe Ø	Pipe wall thickness	Collar Size
50	1.8-2.9	CFS-C P 50/1.5"

Maximum thickness of sound decoupling: 9 mm



Zero distance between annular gap



CONTENTS

Straight plastic pipe in a rigid wall

ID

WW-RW-PP-0061

FIRESTOP COLLAR

0061_01

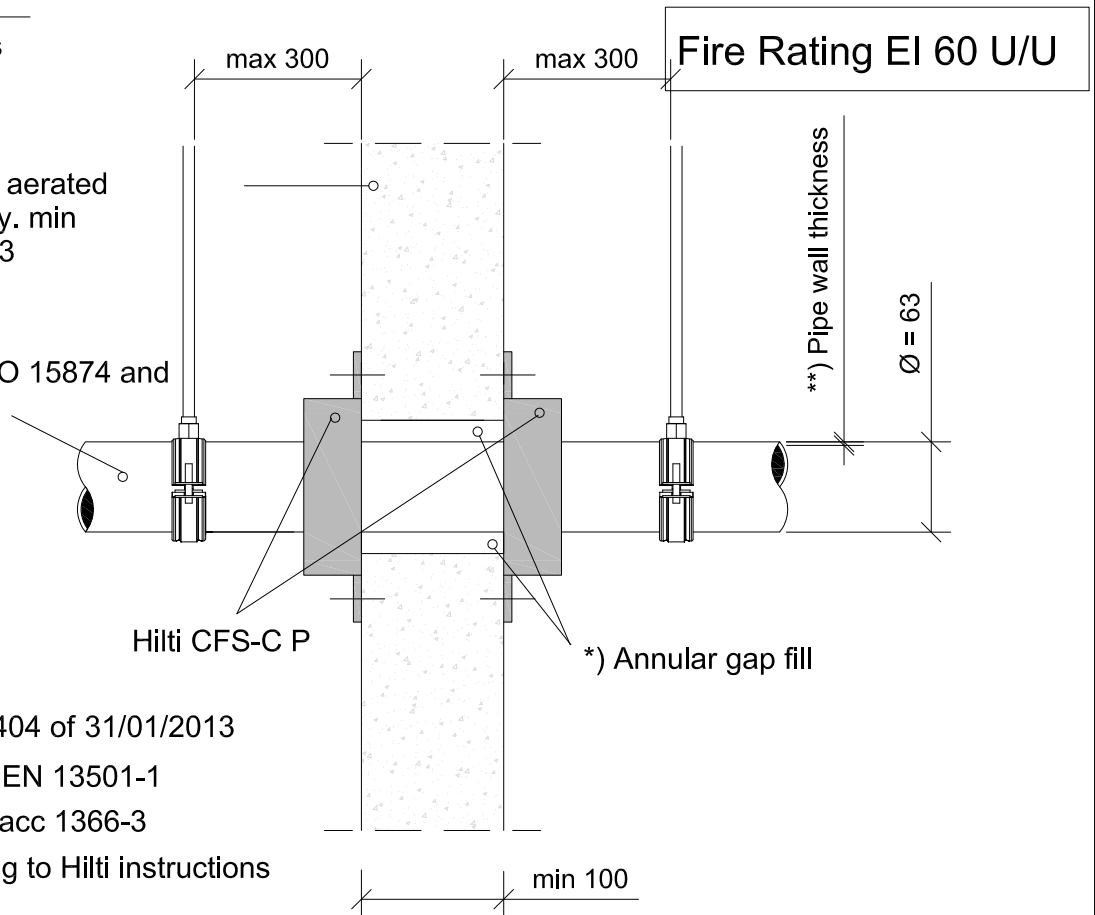
REV
00

No scale

All units are in millimetres

Comprise concrete, aerated concrete or masonry. min density of 450 kg/m³

PP pipes acc EN ISO 15874 and DIN 8077/8078



- Approval ETA-14/0404 of 31/01/2013
- Reaction to fire acc EN 13501-1
- Fire resistance test acc 1366-3
- Installation according to Hilti instructions

*) Annular gap fill material

Hilti Firestop Acrylic Sealant CFS-S ACR on both sides with depth > 25 mm from the surface of the wall.

Gypsum plaster or cementitious mortar over the entire thickness of the wall.

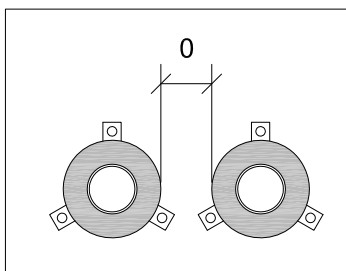
Sound Insulation for rigid wall

CFS-C ACR	Cementitious mortar
$D_{n,w} = 58 \text{ dB}$	$D_{n,w} = 59 \text{ dB}$
$R_w = 51 \text{ dB}$	$R_w = 52 \text{ dB}$

***) Pipe wall thickness

Pipe Ø	Pipe wall thickness	Collar Size
63	1.8-5.8	CFS-C P 63/2"

Maximum thickness of sound decoupling: 9 mm



Zero distance between annular gap



CONTENTS

Straight plastic pipe in a rigid wall

ID

WW-RW-PP-0062

FIRESTOP COLLAR

0062_01

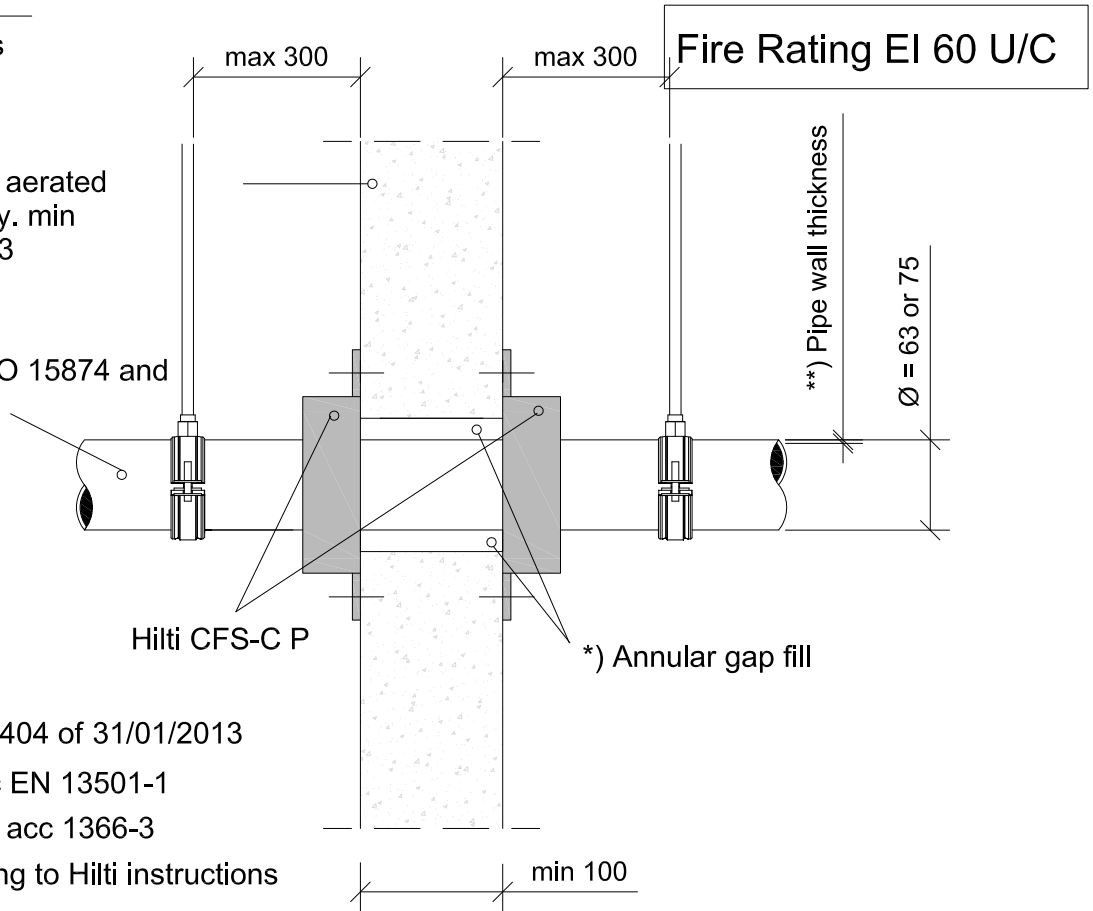
REV
00

No scale

All units are in millimetres

Comprise concrete, aerated concrete or masonry. min density of 450 kg/m³

PP pipes acc EN ISO 15874 and DIN 8077/8078



- Approval ETA-14/0404 of 31/01/2013
- Reaction to fire acc EN 13501-1
- Fire resistance test acc 1366-3
- Installation according to Hilti instructions

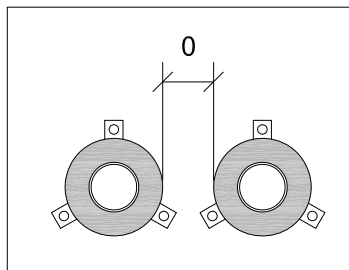
*) Annular gap fill material

Hilti Firestop Acrylic Sealant CFS-S ACR on both sides with depth > 15 mm from the surface of the wall.

Gypsum plaster or cementitious mortar over the entire thickness of the wall.

Sound Insulation for rigid wall

CFS-C ACR	Cementitious mortar
$D_{n,w} = 58 \text{ dB}$	$D_{n,w} = 59 \text{ dB}$
$R_w = 51 \text{ dB}$	$R_w = 52 \text{ dB}$



Zero distance between annular gap

***) Pipe wall thickness

Pipe Ø	Pipe wall thickness	Collar Size
63	5.8-10.5	CFS-C P 63/2"
75	1.9-6.8	CFS-C P 75/2.5"

Maximum thickness of sound decoupling: 9 mm



CONTENTS

Straight plastic pipe in a rigid wall

ID

WW-RW-PP-0068

FIRESTOP COLLAR

0068_01

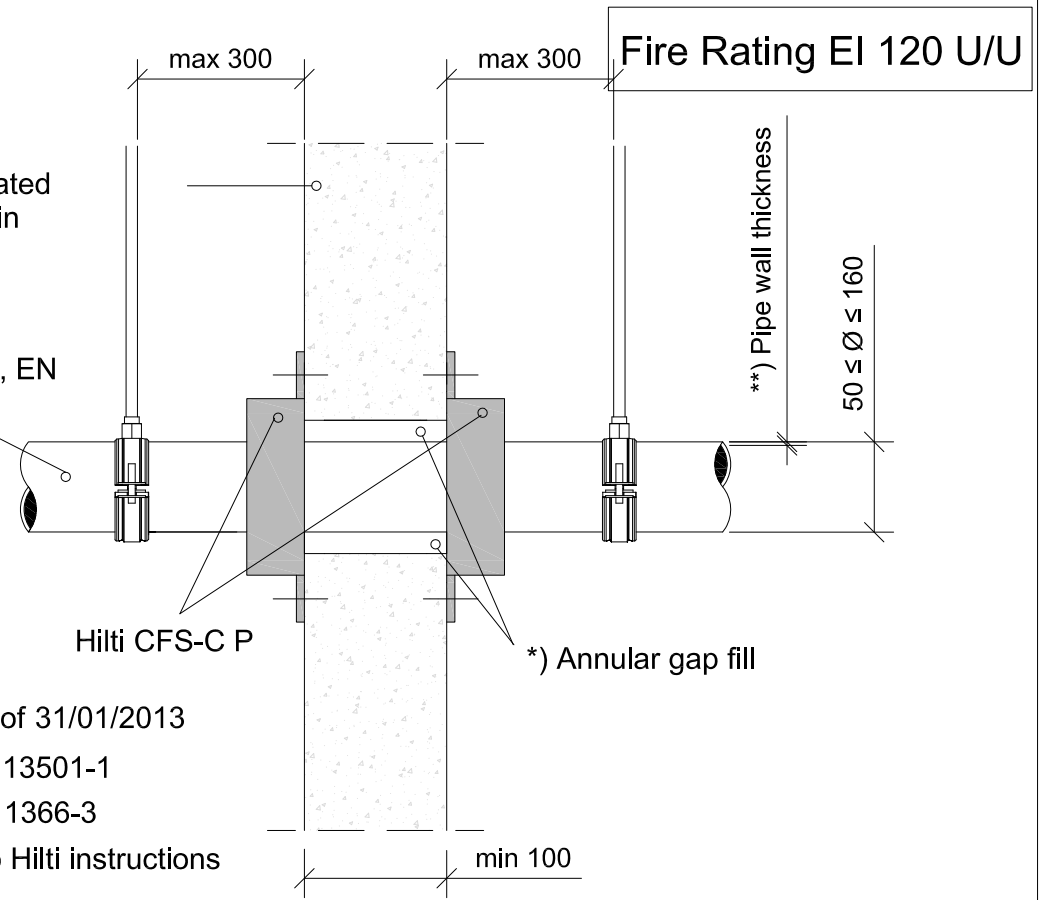
REV
00

No scale

All units are in millimetres

Comprise concrete, aerated concrete or masonry. min density of 450 kg/m³

PVC-C pipes acc EN 1566-1
PVC-U pipes acc EN 1329-1, EN 1453-1 and EN ISO 1452



- Approval ETA-14/0404 of 31/01/2013
- Reaction to fire acc EN 13501-1
- Fire resistance test acc 1366-3
- Installation according to Hilti instructions

*) Annular gap fill material

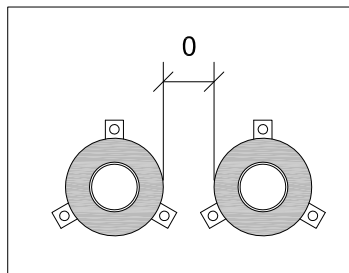
Hilti Firestop Acrylic Sealant CFS-S ACR on both sides with depth > 25 mm from the surface of the wall.

Gypsum plaster or cementitious mortar over the entire thickness of the wall.

Sound Insulation for rigid wall

CFS-C ACR	Cementitious mortar
$D_{n,w} = 58$ dB	$D_{n,w} = 59$ dB
$R_w = 51$ dB	$R_w = 52$ dB

**) Pipe wall thickness



Zero distance between annular gap

Pipe Ø	Pipe Wall Thickness	Collar Size
50	2.4-5.6	CFS-C P 50/1.5"
63	3.0-4.7	CFS-C P 63/2"
75	2.2-3.6	CFS-C P 75/2.5"
90	2.7-4.3	CFS-C P 90/3"
110	2.2-8.1	CFS-C P 110/4"
125	3.7-6.0	CFS-C P 125/5"
160	2.5-11.8	CFS-C P 160/6"