

Schémas d'applications pour le collier CFS-C P



Applications pour eaux usées en dalle rigide épaisseur 150 mm

- Tube plastique PE WW-RF-PP-0077
- Tube plastique PP WW-RF-PP-0086/90/91/92/97/99/100/105
- Tube plastique PVC WW-RF-PP-0107/110/111

*) Tous les schémas sont également disponibles sur demande en format DWG pour faciliter l'insertion sur des plans.



CONTENTS

Straight plastic pipe in a floor

ID

WW-RF-PP-0077

FIRESTOP COLLAR

0077_01

REV

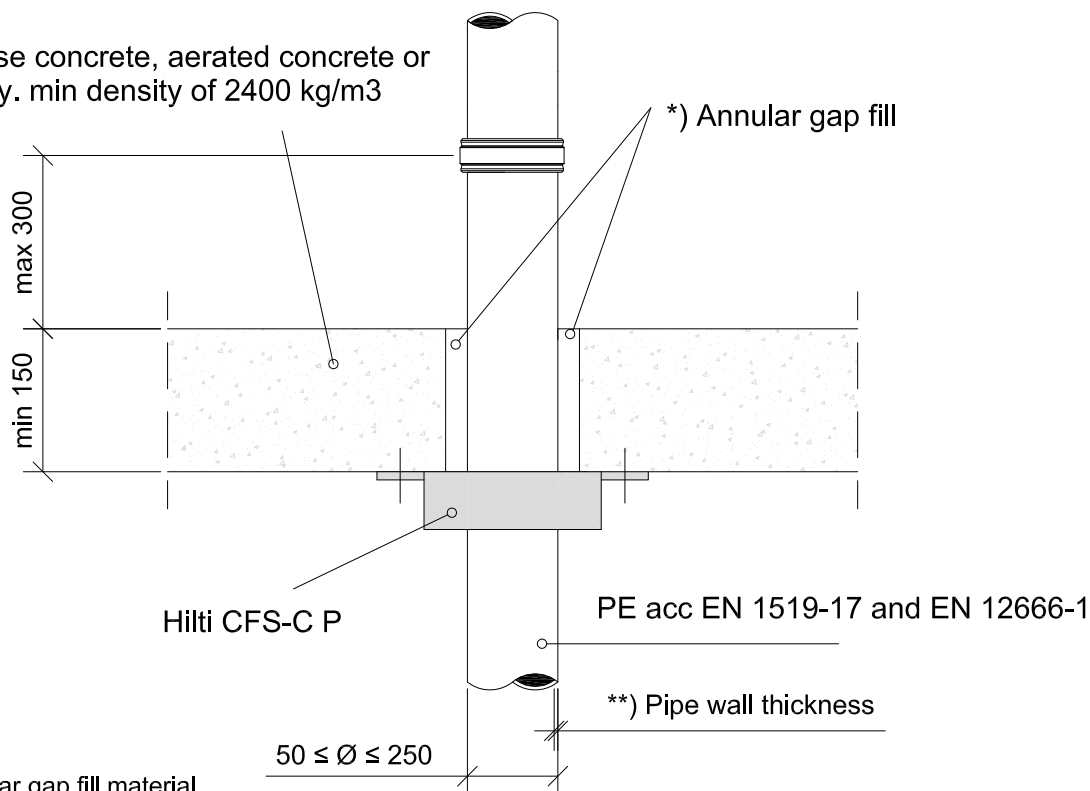
00

No scale

All units are in millimetres

Fire Rating EI 120 U/U

Comprise concrete, aerated concrete or masonry. min density of 2400 kg/m³



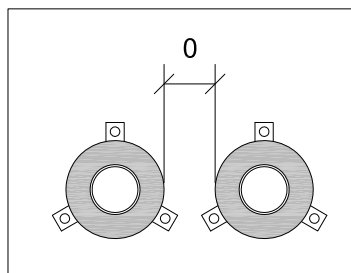
*) Annular gap fill material

Hilti Firestop Acrylic Sealant CFS-S ACR on both sides with depth > 10 mm from the surface of the wall, backfilled with mineral wool min 60 kg/m³.

Gypsum plaster or cementitious mortar over the entire thickness of the floor.

- Approval ETA-14/0404 of 31/01/2013
- Reaction to fire acc EN 13501-1
- Fire resistance test acc 1366-3
- Installation according to Hilti instructions

**) Pipe wall thickness



Zero distance between annular gap

Pipe Ø	Pipe wall thickness	Collar Size
50	3.0	CFS-C P 50/1.5"
63	3.0	CFS-C P 63/2"
75	3.0	CFS-C P 75/2.5"
90	3.5	CFS-C P 90/3"
110	4.2	CFS-C P 110/4"
125	4.8	CFS-C P 125/5"
160	6.2	CFS-C P 160/6"
200	6.2	CFS-C P 200/8"
250	7.7	CFS-C P 250/10"

Maximum thickness of sound decoupling: 5 mm



CONTENTS

Straight plastic pipe in a floor

ID

WW-RF-PP-0086

FIRESTOP COLLAR

0086_01

REV

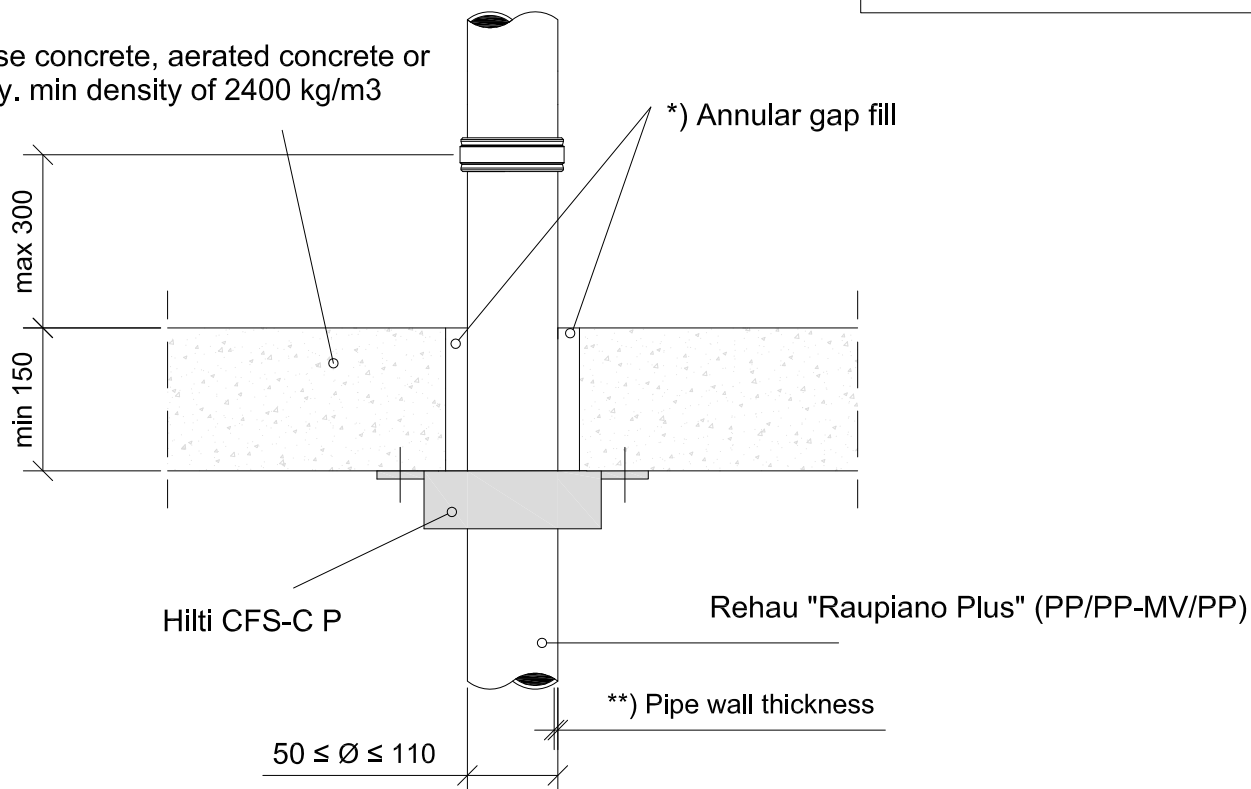
00

No scale

All units are in millimetres

Fire Rating EI 180 U/U

Comprise concrete, aerated concrete or masonry. min density of 2400 kg/m³



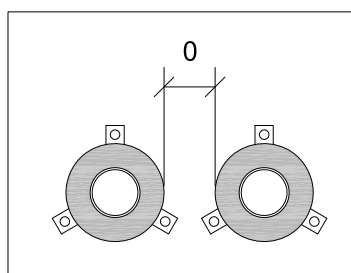
*) Annular gap fill material

Hilti Firestop Acrylic Sealant CFS-S ACR on both sides with depth > 10 mm from the surface of the wall, backfilled with mineral wool min 60 kg/m³.

Gypsum plaster or cementitious mortar over the entire thickness of the floor.

- Approval ETA-14/0404 of 31/01/2013
- Reaction to fire acc EN 13501-1
- Fire resistance test acc 1366-3
- Installation according to Hilti instructions

**) Pipe wall thickness



Zero distance between annular gap

Pipe Ø	Pipe wall thickness	Collar Size
50	1.8	CFS-C P 50/1.5"
75	1.9	CFS-C P 75/2.5"
110	2.7	CFS-C P 110/4"

Maximum thickness of sound decoupling: 9 mm



CONTENTS

Straight plastic pipe in a floor

ID

WW-RF-PP-0090

FIRESTOP COLLAR

0090_01

REV

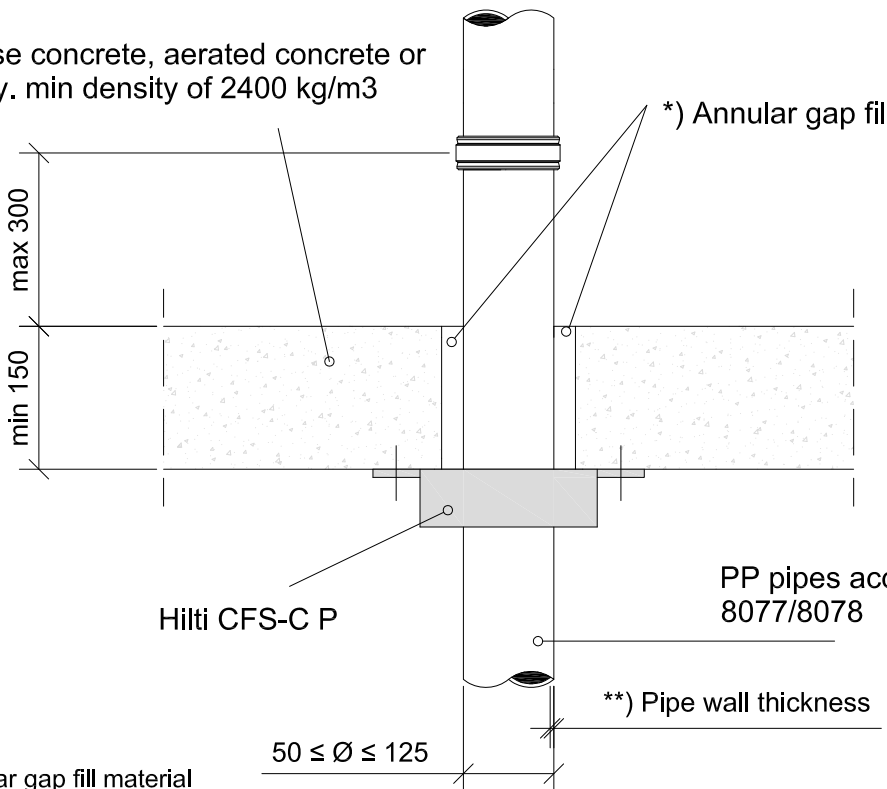
00

No scale

All units are in millimetres

Fire Rating EI 180 U/U

Comprise concrete, aerated concrete or masonry. min density of 2400 kg/m³



PP pipes acc EN ISO 15874 and DIN 8077/8078

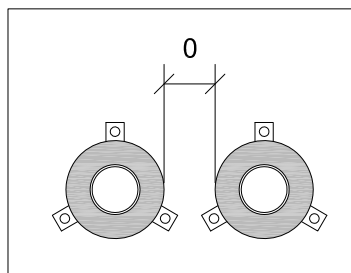
*) Annular gap fill material

Hilti Firestop Acrylic Sealant CFS-S ACR on both sides with depth > 10 mm from the surface of the wall, backfilled with mineral wool min 60 kg/m³.

Gypsum plaster or cementitious mortar over the entire thickness of the floor.

- Approval ETA-14/0404 of 31/01/2013
- Reaction to fire acc EN 13501-1
- Fire resistance test acc 1366-3
- Installation according to Hilti instructions

**). Pipe wall thickness



Zero distance between annular gap

Pipe Ø	Pipe wall thickness	Collar Size
50	1.8-2.9	CFS-C P 50/1.5"
63	1.8-5.8	CFS-C P 63/2"
75	1.9-6.8	CFS-C P 75/2.5"
90	2.2-8.2	CFS-C P 90/3"
110	2.7	CFS-C P 110/4"
125	3.1	CFS-C P 125/5"

Maximum thickness of sound decoupling: 9 mm



CONTENTS

Straight plastic pipe in a floor

ID

WW-RF-PP-0091

FIRESTOP COLLAR

0091_01

REV

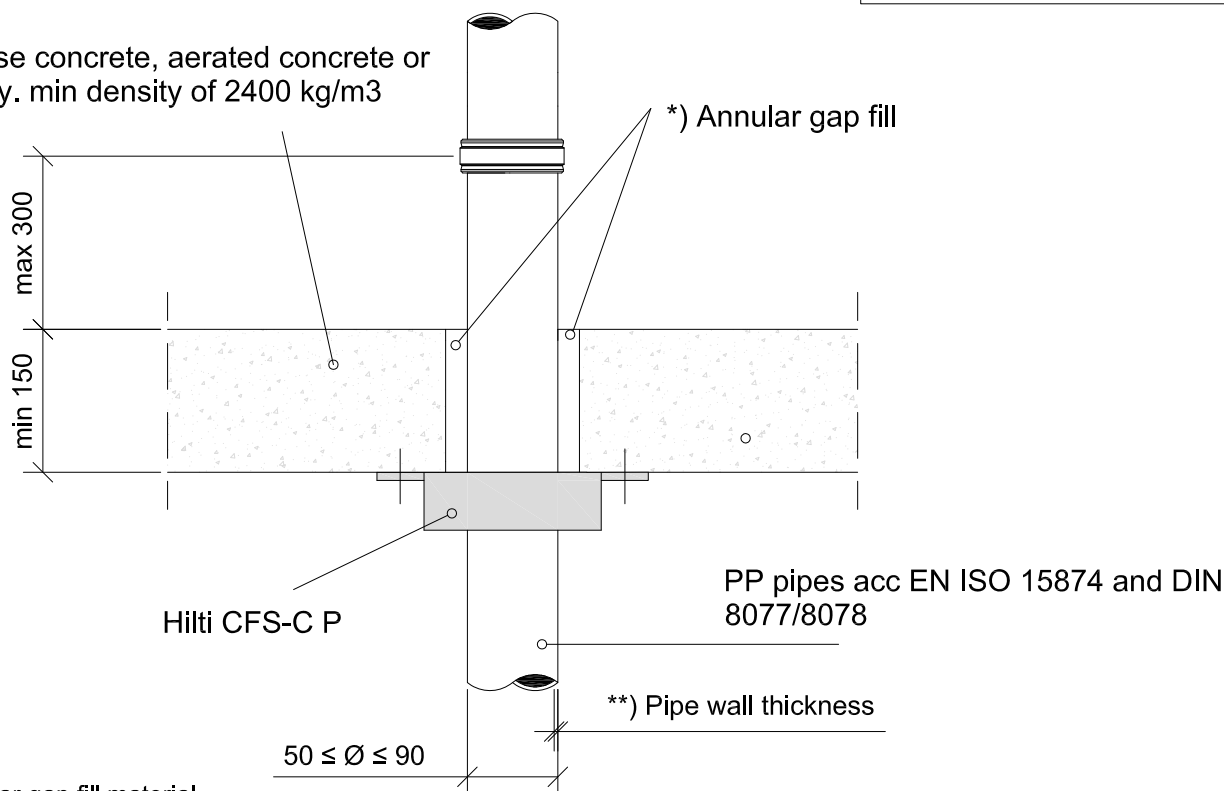
00

No scale

All units are in millimetres

Fire Rating EI 180 U/C

Comprise concrete, aerated concrete or masonry. min density of 2400 kg/m³



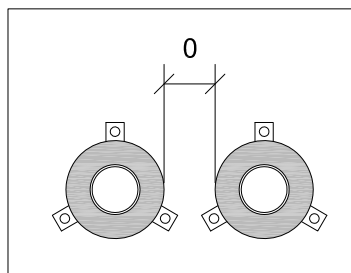
*). Annular gap fill material

Hilti Firestop Acrylic Sealant CFS-S ACR on both sides with depth > 10 mm from the surface of the wall, backfilled with mineral wool min 60 kg/m³.

Gypsum plaster or cementitious mortar over the entire thickness of the floor.

- Approval ETA-14/0404 of 31/01/2013
- Reaction to fire acc EN 13501-1
- Fire resistance test acc 1366-3
- Installation according to Hilti instructions

**). Pipe wall thickness



Zero distance between annular gap

Pipe Ø	Pipe wall thickness	Collar Size
50	4.6-8.3	CFS-C P 50/1.5"
63	5.8-10.5	CFS-C P 63/2"
75	6.8	CFS-C P 75/2.5"
90	8.2	CFS-C P 90/3"

Maximum thickness of sound decoupling: 9 mm



CONTENTS

Straight plastic pipe in a floor

ID

WW-RF-PP-0092

FIRESTOP COLLAR

0092_01

REV

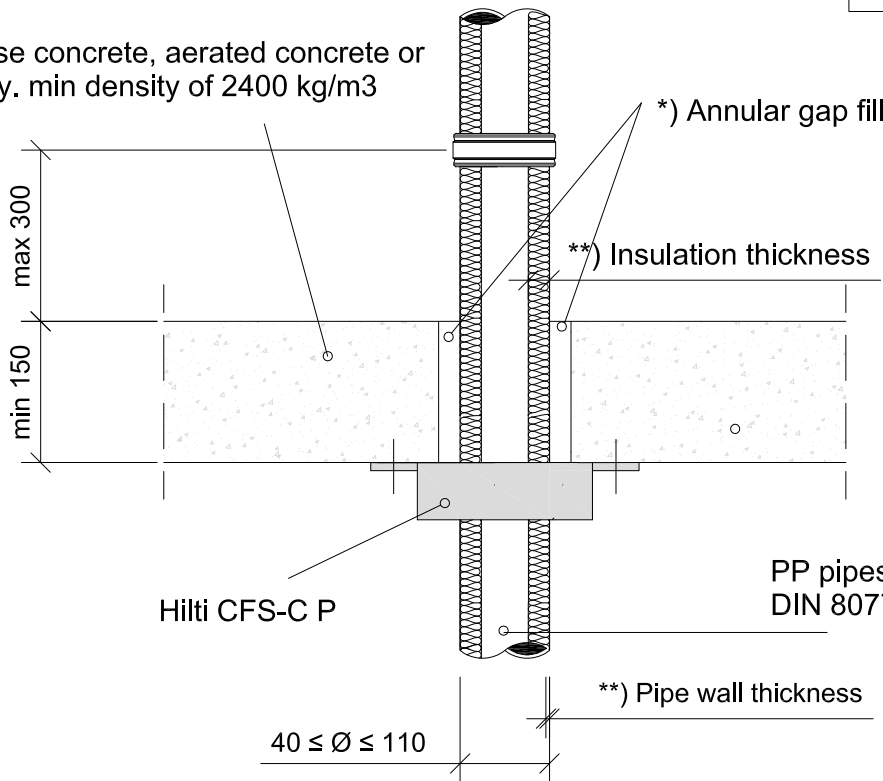
00

No scale

All units are in millimetres

Fire Rating EI 180 U/C

Comprise concrete, aerated concrete or masonry. min density of 2400 kg/m³



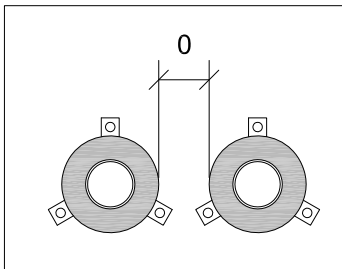
*) Annular gap fill material

Hilti Firestop Acrylic Sealant CFS-S ACR on both sides with depth > 10 mm from the surface of the wall, backfilled with mineral wool min 60 kg/m³.

Gypsum plaster or cementitious mortar over the entire thickness of the floor.

- Approval ETA-14/0404 of 31/01/2013
- Reaction to fire acc EN 13501-1
- Fire resistance test acc 1366-3
- Installation according to Hilti instructions

**) Pipe wall and insulation thickness (Armaflex AF) arrangement Local Insulation (length of insulation > 250 mm) or Continued insulation



Zero distance between annular gap

Pipe Ø	Pipe Wall Thickness	Insulation Thickness	Collar Size
40	3.7-5.5	9	CFS-C P 63/2"
50	4.6-6.9	9	CFS-C P 75/2.5"
75	6.8-10.3	10	CFS-C P 90/3"
110	10-15.1	10	CFS-C P 125/5"



CONTENTS

Straight plastic pipe in a floor

ID

WW-RF-PP-0097

FIRESTOP COLLAR

0097_01

REV

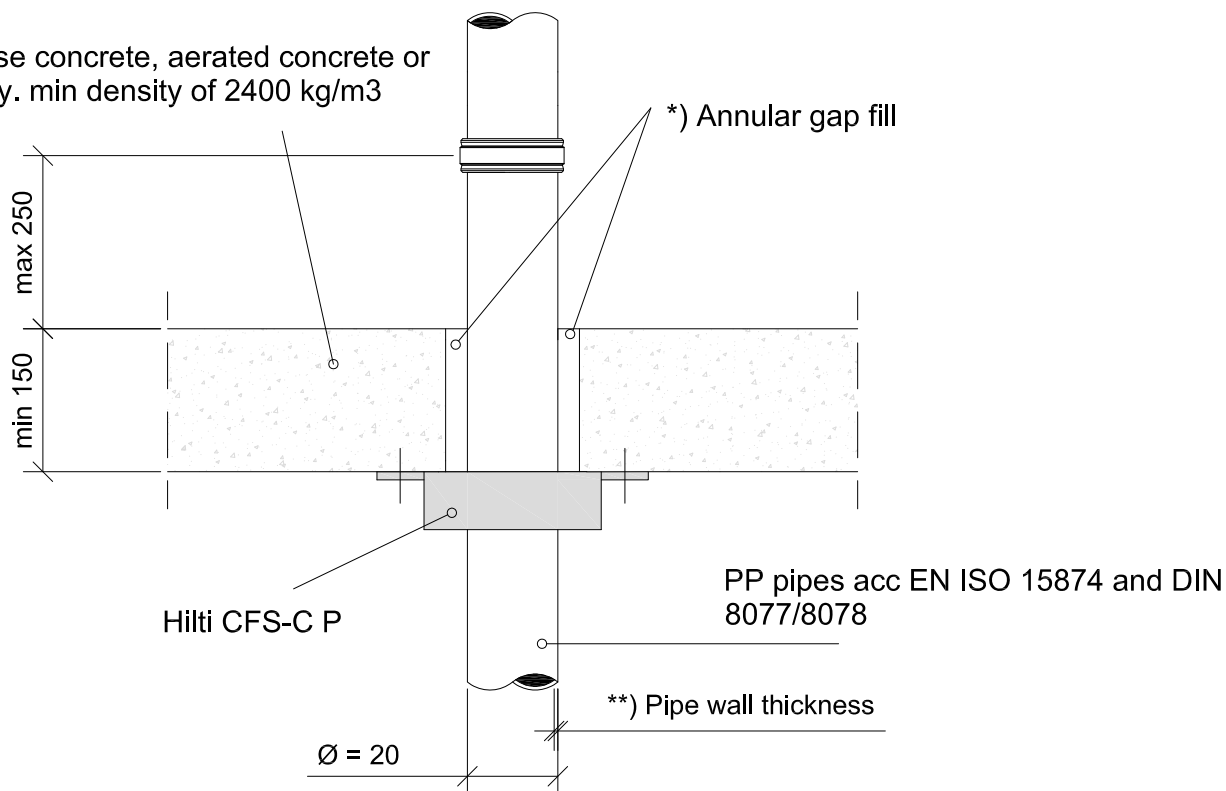
00

No scale

All units are in milimetres

Fire Rating EI 120 U/U

Comprise concrete, aerated concrete or masonry. min density of 2400 kg/m³

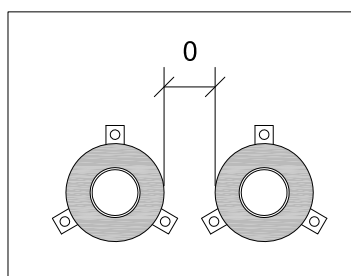


*) Annular gap fill material

Hilti Firestop Acrylic Sealant CFS-S ACR on both sides with depth > 10 mm from the surface of the wall, backfilled with mineral wool min 60 kg/m³.

Gypsum plaster or cementitious mortar over the entire thickness of the floor.

- Approval ETA-14/0404 of 31/01/2013
- Reaction to fire acc EN 13501-1
- Fire resistance test acc 1366-3
- Installation according to Hilti instructions



Zero distance between annular gap

**) Pipe wall thickness

Pipe Ø	Pipe wall thickness	Collar Size
20	1.9-3.4	CFS-C P 50/1.5"

Maximum thickness of sound decoupling: 9 mm



CONTENTS

Straight plastic pipe in a floor

ID

WW-RF-PP-0099

FIRESTOP COLLAR

0099_01

REV

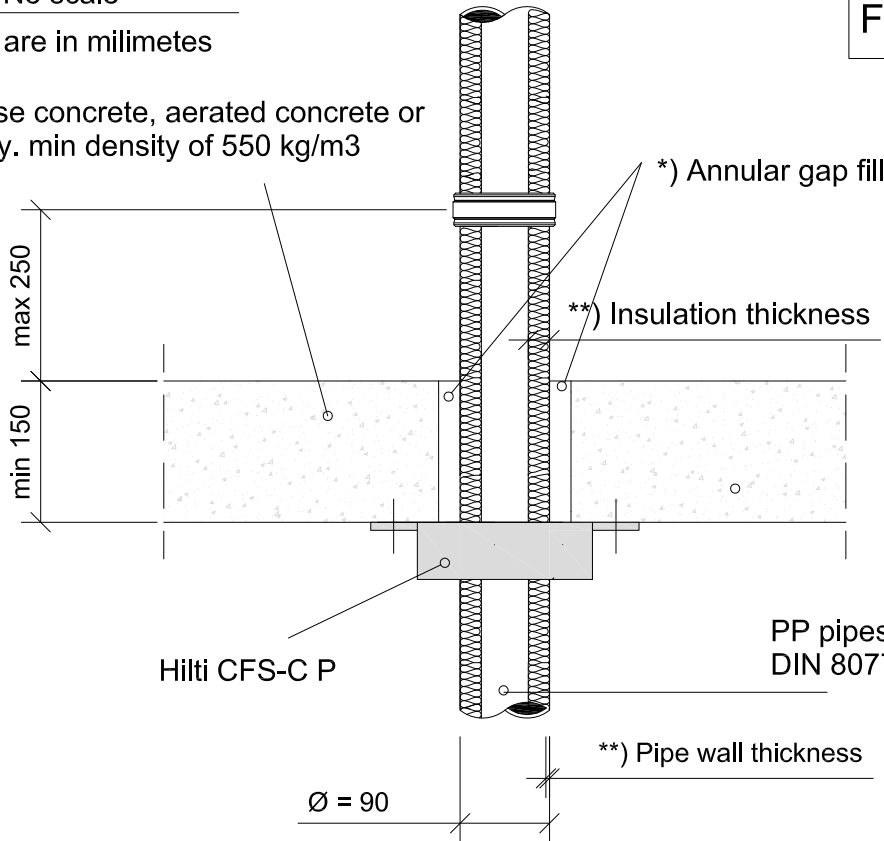
00

No scale

Fire Rating EI 120 U/C

All units are in millimetres

Comprise concrete, aerated concrete or masonry. min density of 550 kg/m³



Hilti CFS-C P

PP pipes acc EN ISO 15874 and
DIN 8077/8078

Ø = 90

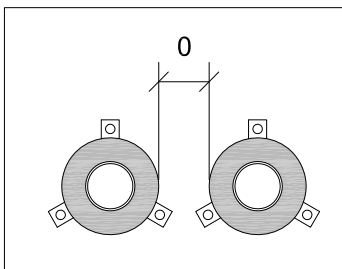
*) Annular gap fill material

Hilti Firestop Acrylic Sealant CFS-S ACR on both sides with depth > 10 mm from the surface of the wall, backfilled with mineral wool min 60 kg/m³.

Gypsum plaster or cementitious mortar over the entire thickness of the floor.

- Approval ETA-10/0404 of 31/01/2013
- Reaction to fire acc EN 13501-1
- Fire resistance test acc EN 1366-3
- Installation according to Hilti instructions

**) Pipe wall and insulation thickness (Armaflex AF)



Zero distance between annular gap

Pipe Ø	Pipe Wall Thickness	Insulation Thickness	Collar Size
90	12.3	22.5	CFS-C P 160/6"



CONTENTS

Straight plastic pipe in a floor

ID

WW-RF-PP-0100

FIRESTOP COLLAR

0100_01

REV

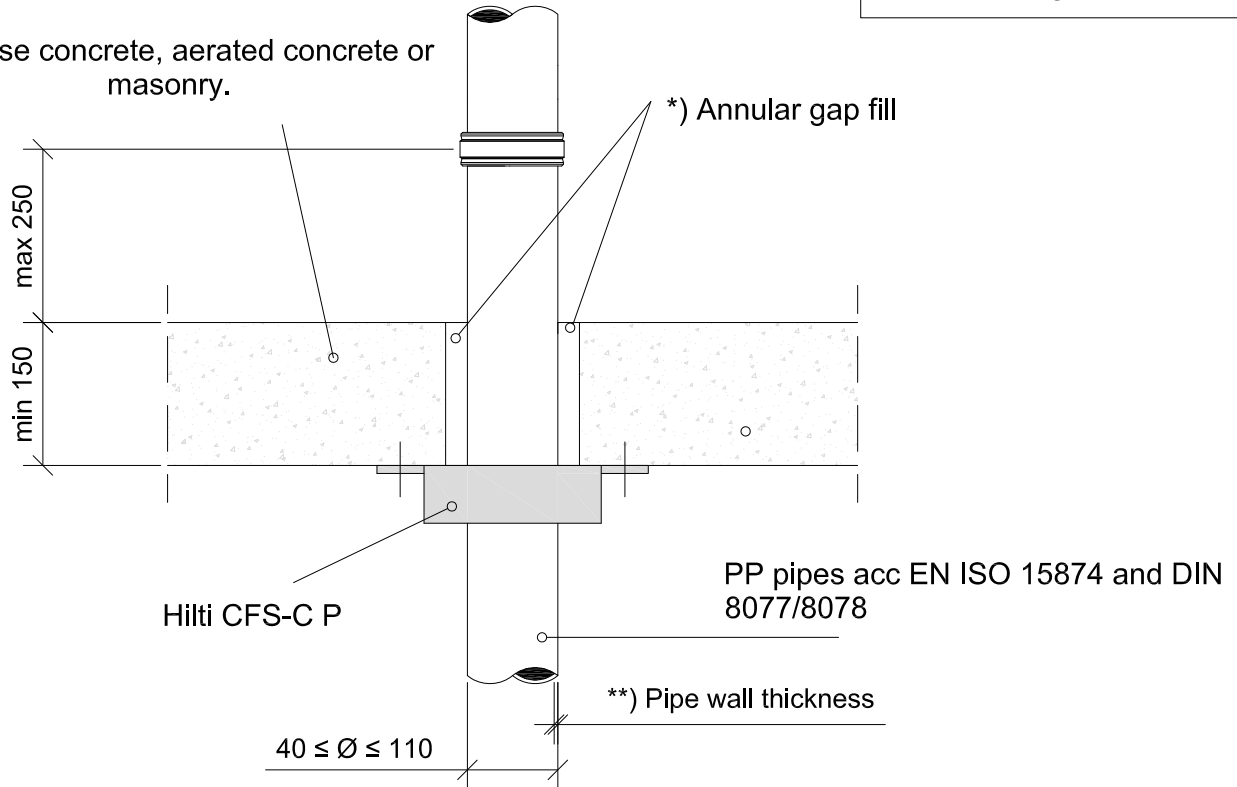
00

No scale

All units are in millimetres

Fire Rating EI 120 U/C

Comprise concrete, aerated concrete or masonry.



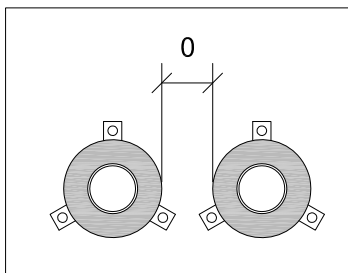
*) Annular gap fill material

Hilti Firestop Acrylic Sealant CFS-S ACR on both sides with depth > 10 mm from the surface of the wall, backfilled with mineral wool min 60 kg/m³.

Gypsum plaster or cementitious mortar over the entire thickness of the floor.

- Approval ETA-14/0404 of 31/01/2013
- Reaction to fire acc EN 13501-1
- Fire resistance test acc 1366-3
- Installation according to Hilti instructions

**) Pipe wall thickness



Zero distance between annular gap

Density of Base material	Pipe Ø	Pipe wall thickness	Collar Size
> 550 kg/m ³	40	3.7-5.5	CFS-C P 50/1.5"
	50	4.6-6.9	CFS-C P 50/1.5"
	75	6.8	CFS-C P 75/2.5"
	90	12.3	CFS-C P 90/3"
	110	10-15.1	CFS-C P 110/4"
> 2400 kg/m ³	40	3.7-5.5	CFS-C P 50/1.5"
	75	6.8-12.5	CFS-C P 75/2.5"
	90	8.2-15	CFS-C P 90/3"
	110	10-15.1	CFS-C P 110/4"

Maximum thickness of sound decoupling: 9 mm



CONTENTS

Straight plastic pipe in a floor

ID

WW-RF-PP-0105

FIRESTOP COLLAR

0105_01

REV

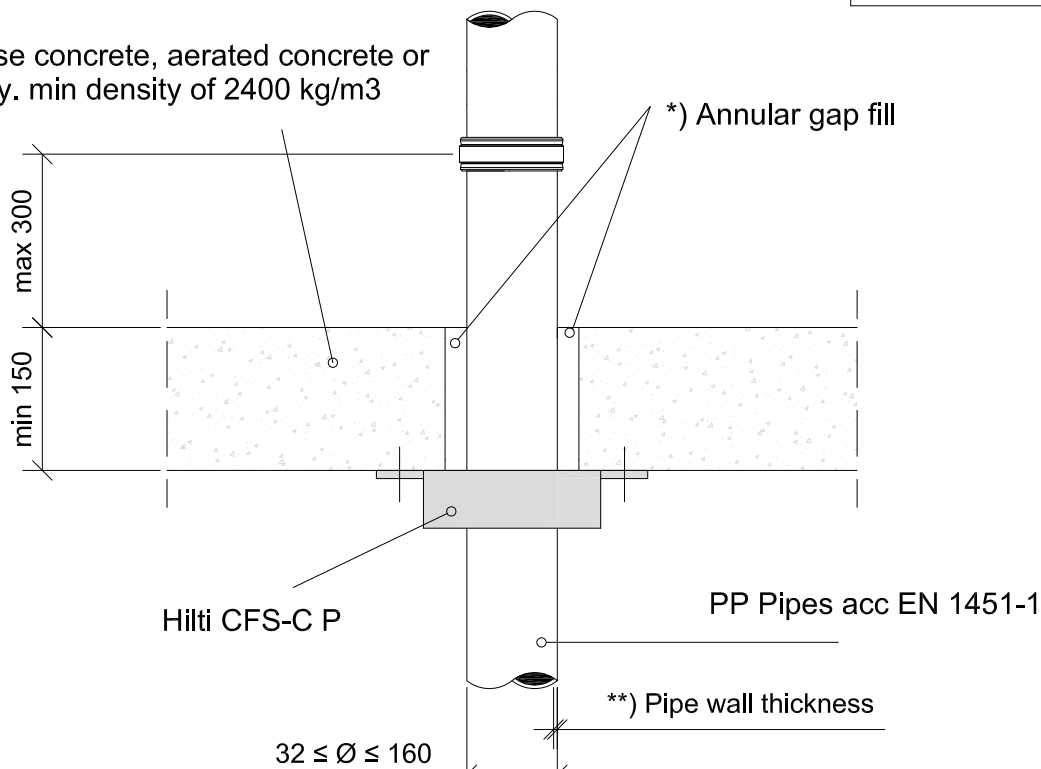
00

No scale

All units are in millimetres

Fire Rating EI 90 U/U

Comprise concrete, aerated concrete or masonry. min density of 2400 kg/m³



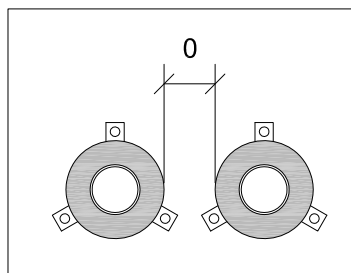
*) Annular gap fill material

Hilti Firestop Acrylic Sealant CFS-S ACR on both sides with depth > 10 mm from the surface of the wall, backfilled with mineral wool min 60 kg/m³.

Gypsum plaster or cementitious mortar over the entire thickness of the floor.

- Approval ETA-14/0404 of 31/01/2013
- Reaction to fire acc EN 13501-1
- Fire resistance test acc 1366-3
- Installation according to Hilti instructions

** Pipe wall thickness



Zero distance between annular gap

Pipe Ø	Pipe wall thickness	Collar Size
32	1.2-1.8	CFS-C P 50/1.5"
40	1.8	CFS-C P 50/1.5"
50	1.8-2.0	CFS-C P 50/1.5"
58	4.0	CFS-C P 63/2"
75	1.9-4.5	CFS-C P 75/2.5"
78	4.5	CFS-C P 75/2.5"
90	2.8-4.5	CFS-C P 90/3"
110	2.7-5.3	CFS-C P 110/4"
125	3.9-5.3	CFS-C P 125/5"
135	5.3	CFS-C P 160/6"
160	4.9-5.3	CFS-C P 160/6"

Maximum thickness of sound decoupling: 9 mm



CONTENTS

Straight plastic pipe in a floor

ID

WW-RF-PP-0107

FIRESTOP COLLAR

0107_01

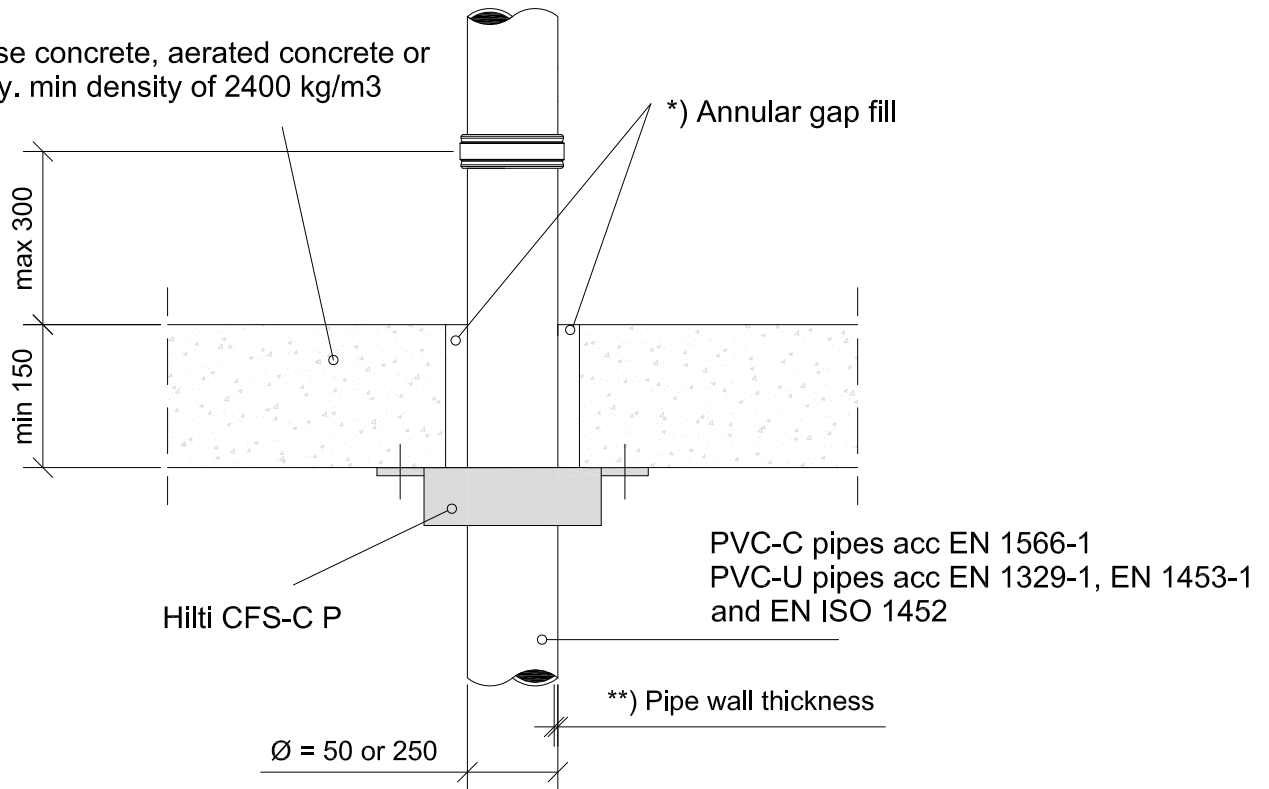
REV
00

No scale

All units are in millimetres

Fire Rating EI 180 U/C

Comprise concrete, aerated concrete or masonry. min density of 2400 kg/m³



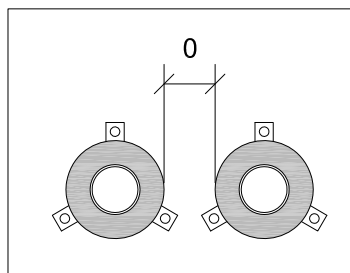
*). Annular gap fill material

Hilti Firestop Acrylic Sealant CFS-S ACR on both sides with depth > 10 mm from the surface of the wall, backfilled with mineral wool min 60 kg/m³.

Gypsum plaster or cementitious mortar over the entire thickness of the floor.

- Approval ETA-14/0404 of 31/01/2013
- Reaction to fire acc EN 13501-1
- Fire resistance test acc 1366-3
- Installation according to Hilti instructions

**). Pipe wall thickness



Zero distance between annular gap

Pipe Ø	Pipe wall thickness	Collar Size
50	1.8	CFS-C P 50/1.5"
250	4.0-11.9	CFS-C P 250/10"

Maximum thickness of sound decoupling: 9 mm



CONTENTS

Straight plastic pipe in a floor

ID

WW-RF-PP-0110

FIRESTOP COLLAR

0110_01

REV

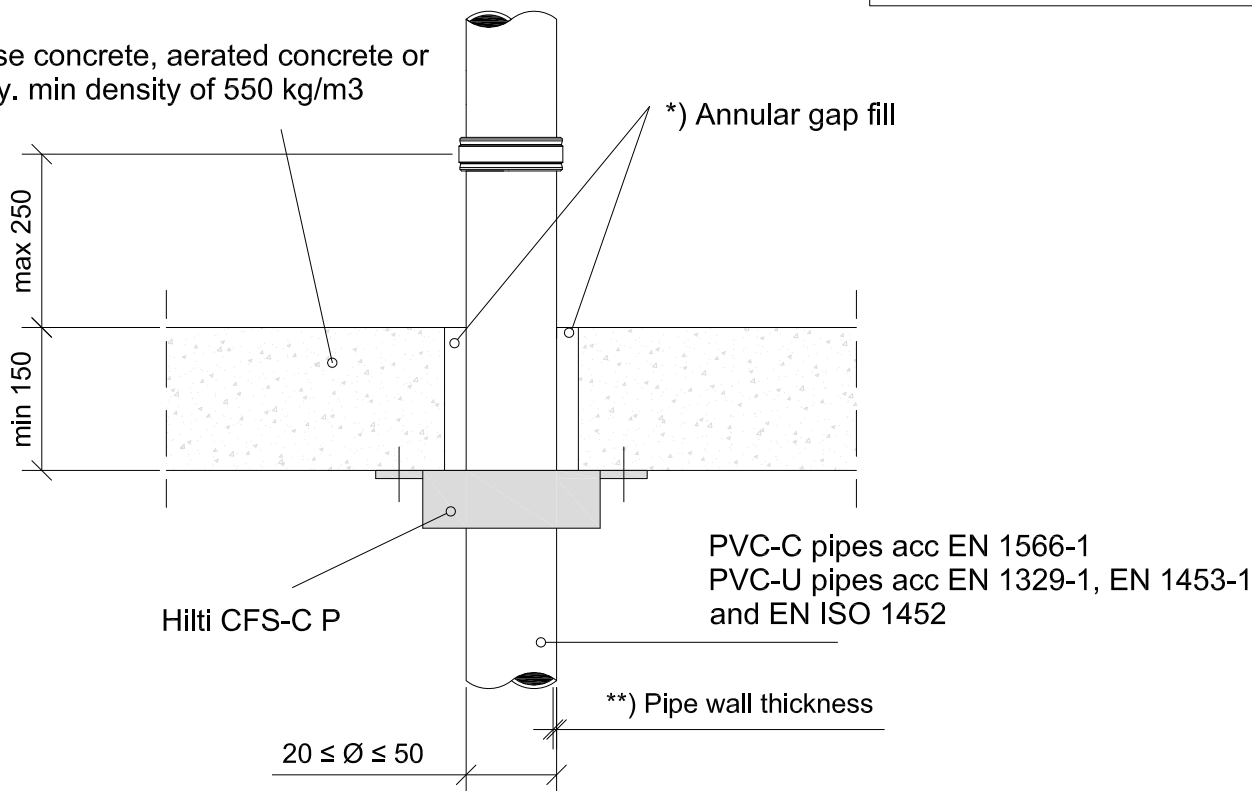
00

No scale

All units are in millimetres

Fire Rating EI 120 U/U

Comprise concrete, aerated concrete or masonry. min density of 550 kg/m³



PVC-C pipes acc EN 1566-1
PVC-U pipes acc EN 1329-1, EN 1453-1
and EN ISO 1452

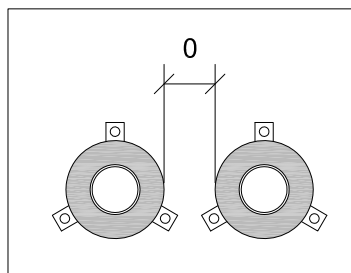
*) Annular gap fill material

Hilti Firestop Acrylic Sealant CFS-S ACR on both sides with depth > 10 mm from the surface of the wall, backfilled with mineral wool min 60 kg/m³.

Gypsum plaster or cementitious mortar over the entire thickness of the floor.

- Approval ETA-14/0404 of 31/01/2013
- Reaction to fire acc EN 13501-1
- Fire resistance test acc 1366-3
- Installation according to Hilti instructions

**). Pipe wall thickness



Zero distance between annular gap

Pipe Ø	Pipe wall thickness	Collar Size
20	1.5-2.2	CFS-C P 50/1.5"
20-50	1.5/2.4-2.2/5.6	CFS-C P 50/1.5"

Maximum thickness of sound decoupling: 9 mm



CONTENTS

Straight plastic pipe in a floor

ID

WW-RF-PP-0111

FIRESTOP COLLAR

0111_01

REV

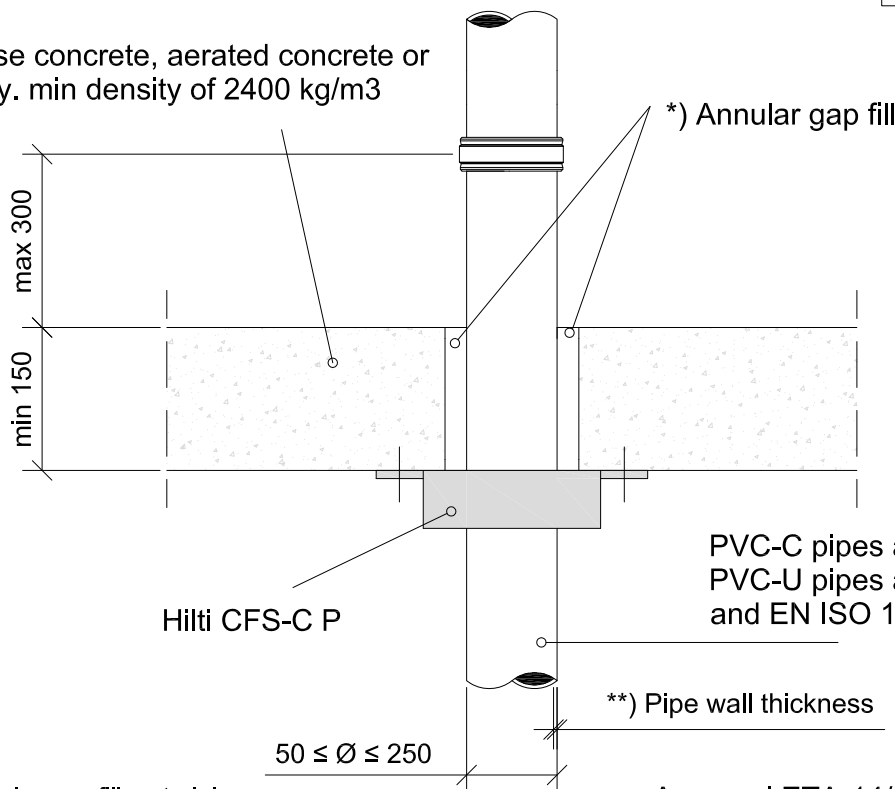
00

No scale

All units are in millimetres

Fire Rating EI 120 U/U

Comprise concrete, aerated concrete or masonry. min density of 2400 kg/m³



PVC-C pipes acc EN 1566-1
PVC-U pipes acc EN 1329-1, EN 1453-1
and EN ISO 1452

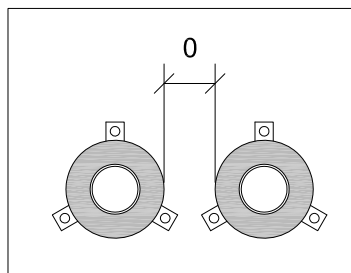
*) Annular gap fill material

- Approval ETA-14/0404 of 31/01/2013
- Reaction to fire acc EN 13501-1
- Fire resistance test acc 1366-3
- Installation according to Hilti instructions

Hilti Firestop Acrylic Sealant CFS-S ACR on both sides with depth > 10 mm from the surface of the wall, backfilled with mineral wool min 60 kg/m³.

Gypsum plaster or cementitious mortar over the entire thickness of the floor.

**) Pipe wall thickness



Zero distance between annular gap

Pipe Ø	Pipe wall thickness	Collar Size
50	2.4-5.6	CFS-C P 50/1.5"
63	3.0-4.7	CFS-C P 63/2"
75	2.2-3.6	CFS-C P 75/2.5"
90	2.7-4.3	CFS-C P 90/3"
110	1.8-8.1	CFS-C P 110/4"
125	3.7-6.0	CFS-C P 125/5"
160	2.5-11.8	CFS-C P 160/6"
180	3.6-8.6	CFS-C P 180/7"
200	4.0-9.6	CFS-C P 200/8"
225	4.5-10.8	CFS-C P 225/9"
250	4.9-11.9	CFS-C P 250/10"

Maximum thickness of sound decoupling: 5 mm