

Schémas d'applications pour le collier en rouleau CFS-C EL



Applications pour industrie en cloison épaisseur 100 mm ou contre cloison épaisseur 50 mm

- | | |
|---|----------------------|
| • Tube plastique PE droit en cloison épaisseur 100 mm | IND-FW-PP-0001/2/3/4 |
| • Tube plastique PE incliné en cloison épaisseur 100 mm | IND-FW-PP-0111 |
| • Tube plastique PE (sans distance avec autres systèmes, conlit ou CFS-B) en cloison épaisseur 100 mm | IND-FW-PP-0119 |
| • Tube plastique ABS et SAN+PVC droit en cloison épaisseur 100 mm | IND-FW-PP-0126/127 |
| • Tube plastique ABS et SAN+PVC incliné en cloison épaisseur 100 mm | IND-FW-PP-0135 |
| • Tube plastique ABS et SAN+PVC (sans distance avec autres systèmes, conlit ou CFS-B) en cloison épaisseur 100 mm | IND-FW-PP-0143/144 |
| • Tube plastique PE droit en contre cloison épaisseur 50 mm | IND-SW-PP-0150 |
| • Tube plastique PE incliné en contre cloison épaisseur 50 mm | IND-SW-PP-0151 |
| • Tube plastique PE (sans distance avec autres systèmes, conlit ou CFS-B) droit en contre cloison épaisseur 50 mm | IND-SW-PP-0152 |

*) Tous les schémas sont également disponibles sur demande en format DWG pour faciliter l'insertion sur des plans.



CONTENTS

Straight plastic pipe in a flexible wall

ID

IND-FW-PP-0001

FIRESTOP COLLAR ENDLESS

0001_01

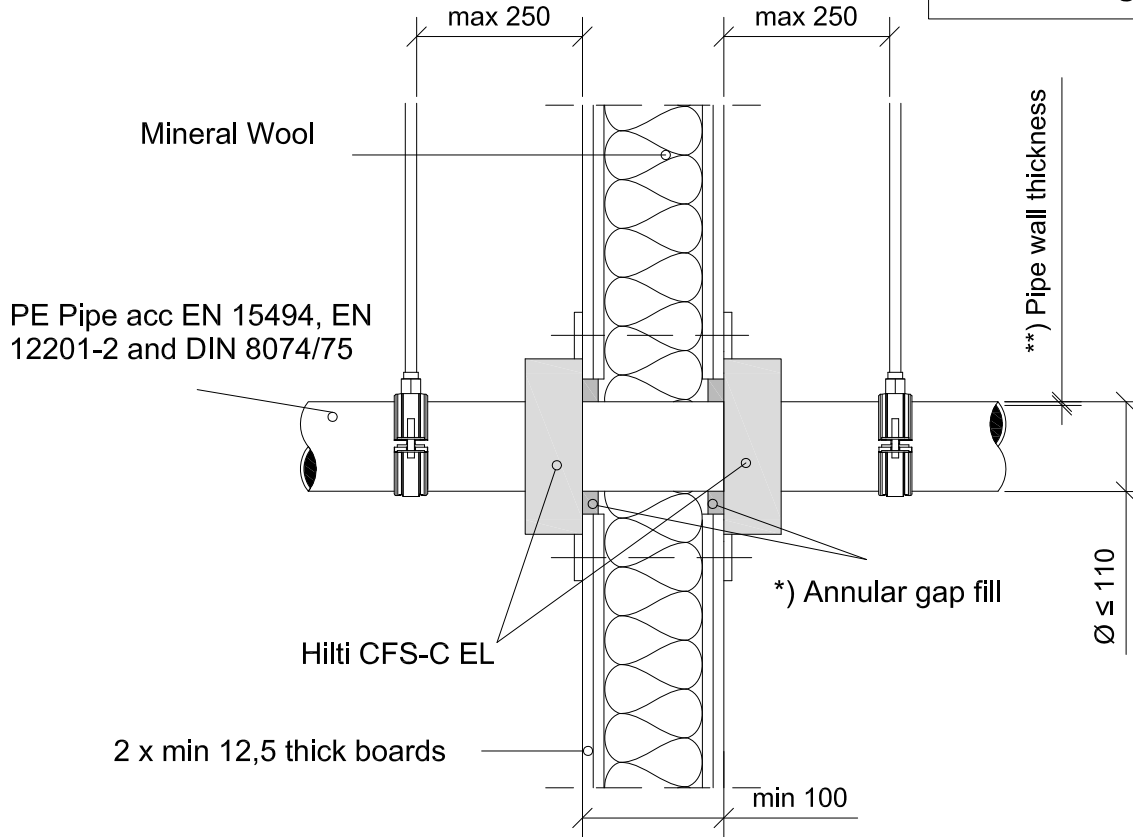
REV

00

No scale

All units are in millimetres

Fire Rating EI 120 U/U



*) Annular gap fill material

| | |
|--|---|
| Gypsum based mortar | Joint filler has to be installed from both sides with depth >25 mm. A gap width 0-15 mm, backfilling is not requested |
| Hilti Firestop Acrylic Sealant CFS-S ACR | |

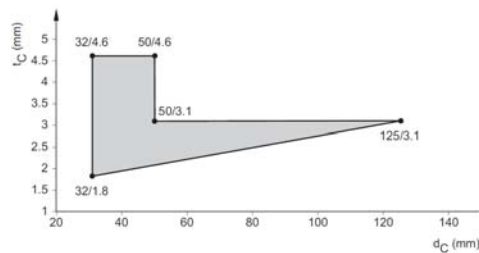
- Approval ETA-14/0085 of 23/04/2014
- Reaction to fire acc EN 13501-1
- Fire resistance test acc 1366-3
- Installation according to Hilti instructions

Sound Insulation for flexible wall

$D_{n,w} = 60 \text{ dB}$

$R_w = 53 \text{ dB}$

**) The pipe wall thickness approved can be found in this graphic





CONTENTS

Straight plastic pipe in a flexible wall

ID

IND-FW-PP-0002

FIRESTOP COLLAR ENDLESS

0002_01

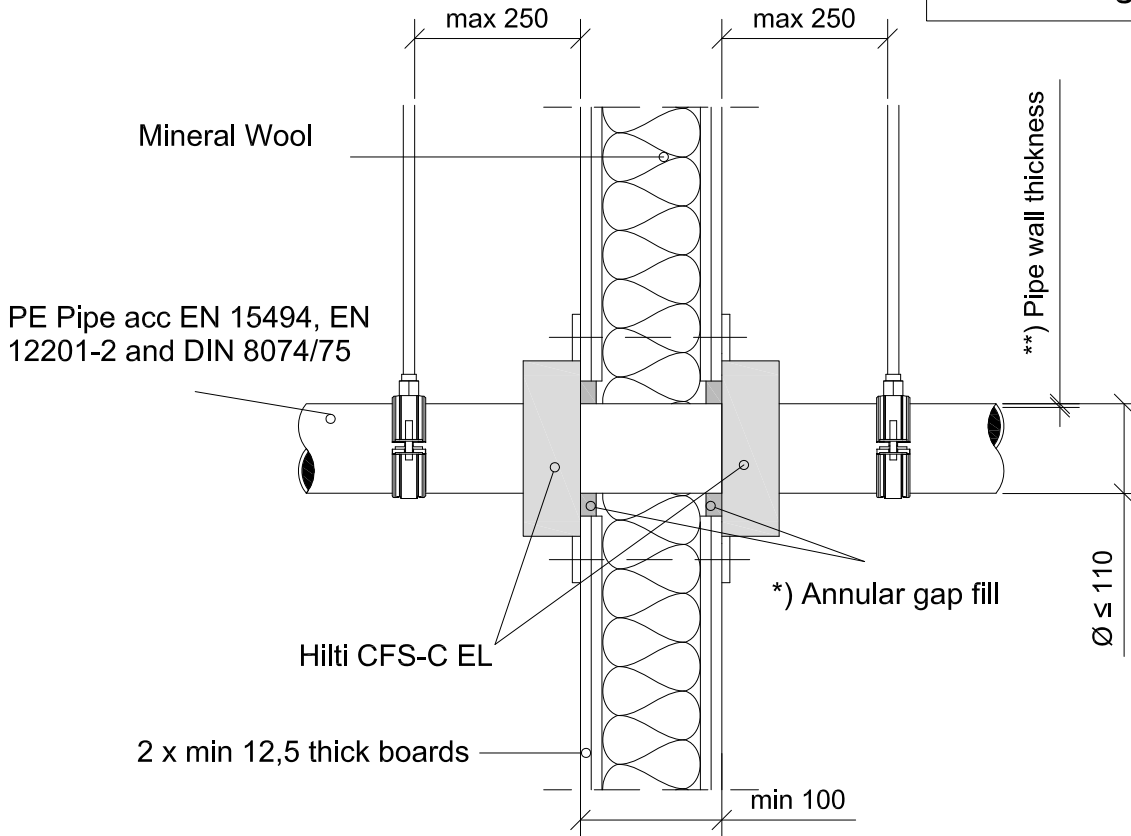
REV

00

No scale

All units are in millimetres

Fire Rating EI 120 U/C



*) Annular gap fill material

| | |
|--|---|
| Gypsum based mortar | Joint filler has to be installed from both sides with depth >25 mm. A gap width 0-15 mm, backfilling is not requested |
| Hilti Firestop Acrylic Sealant CFS-S ACR | |

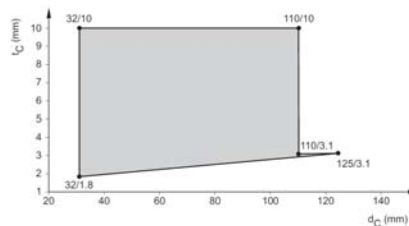
- Approval ETA-14/0085 of 23/04/2014
- Reaction to fire acc EN 13501-1
- Fire resistance test acc 1366-3
- Installation according to Hilti instructions

Sound Insulation for flexible wall

**) The pipe wall thickness approved can be found in this graphic

$D_{n,w} = 60 \text{ dB}$

$R_w = 53 \text{ dB}$





CONTENTS

Straight plastic pipe in a flexible wall

ID

IND-FW-PP-0003

FIRESTOP COLLAR ENDLESS

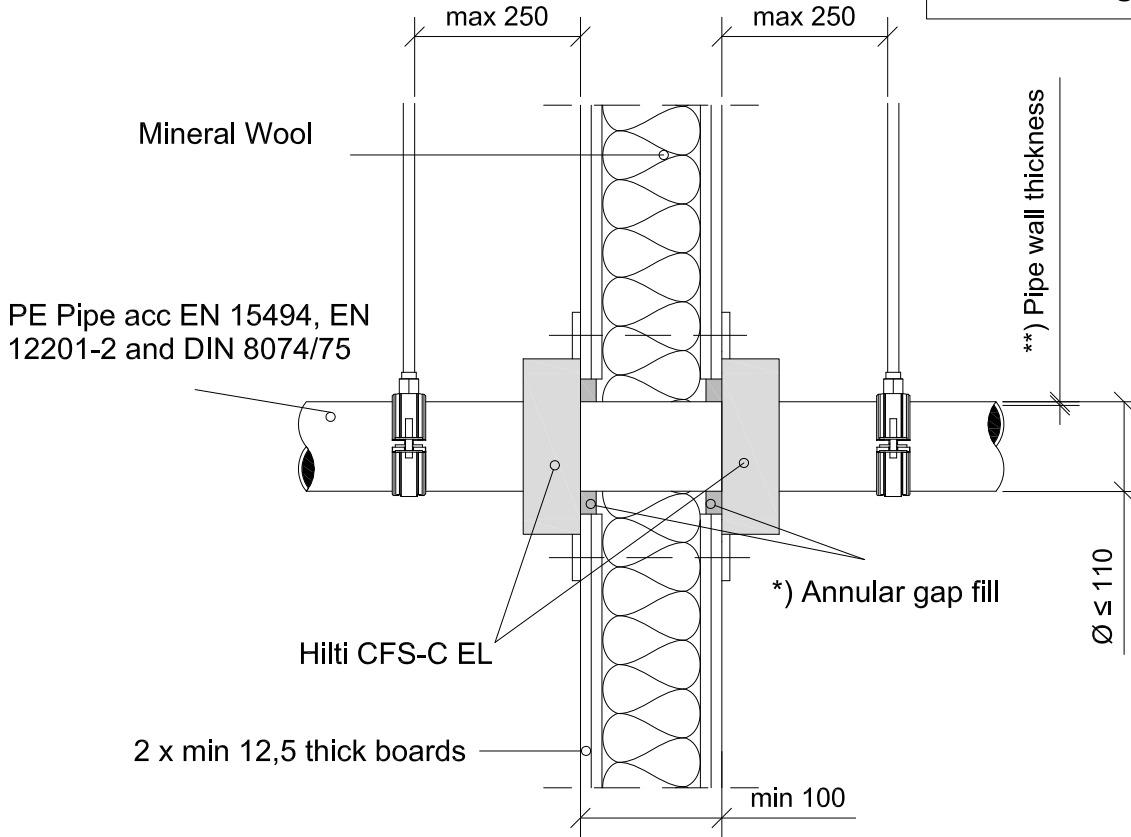
0003_01

REV
00

No scale

All units are in millimetres

Fire Rating EI 90 U/U



*) Annular gap fill material

| | |
|--|---|
| Gypsum based mortar | Joint filler has to be installed from both sides with depth >25 mm. A gap width 0-15 mm, backfilling is not requested |
| Hilti Firestop Acrylic Sealant CFS-S ACR | |

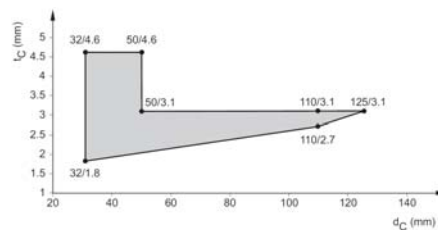
- Approval ETA-14/0085 of 23/04/2014
- Reaction to fire acc EN 13501-1
- Fire resistance test acc 1366-3
- Installation according to Hilti instructions

Sound Insulation for flexible wall

$$D_{n,w} = 60 \text{ dB}$$

$$R_w = 53 \text{ dB}$$

**) The pipe wall thickness approved can be found in this graphic





CONTENTS

Straight plastic pipe in a flexible wall

ID

IND-FW-PP-0004

FIRESTOP COLLAR ENDLESS

0004_01

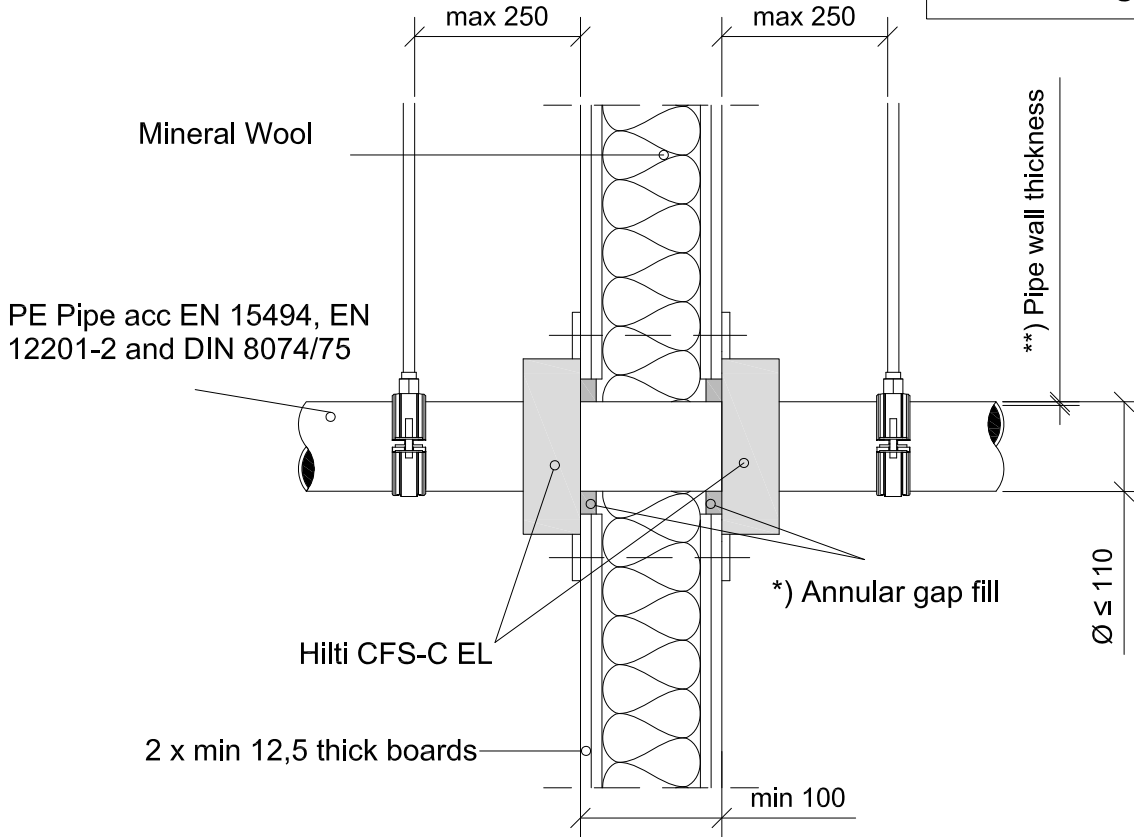
REV

00

No scale

All units are in millimetres

Fire Rating EI 90 U/C



*) Annular gap fill material

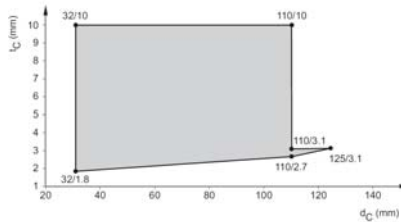
| | |
|--|---|
| Gypsum based mortar | Joint filler has to be installed from both sides with depth >25 mm. A gap width 0-15 mm, backfilling is not requested |
| Hilti Firestop Acrylic Sealant CFS-S ACR | |

- Approval ETA-14/0085 of 23/04/2014
- Reaction to fire acc EN 13501-1
- Fire resistance test acc 1366-3
- Installation according to Hilti instructions

Sound Insulation for flexible wall

| | |
|-----------|---------|
| $D_{n,w}$ | = 60 dB |
| R_w | = 53 dB |

**) The pipe wall thickness approved can be found in this graphic





CONTENTS

Inclined plastic pipe in a flexible wall

ID

IND-FW-PP-0111

FIRESTOP COLLAR ENDLESS

0111_01

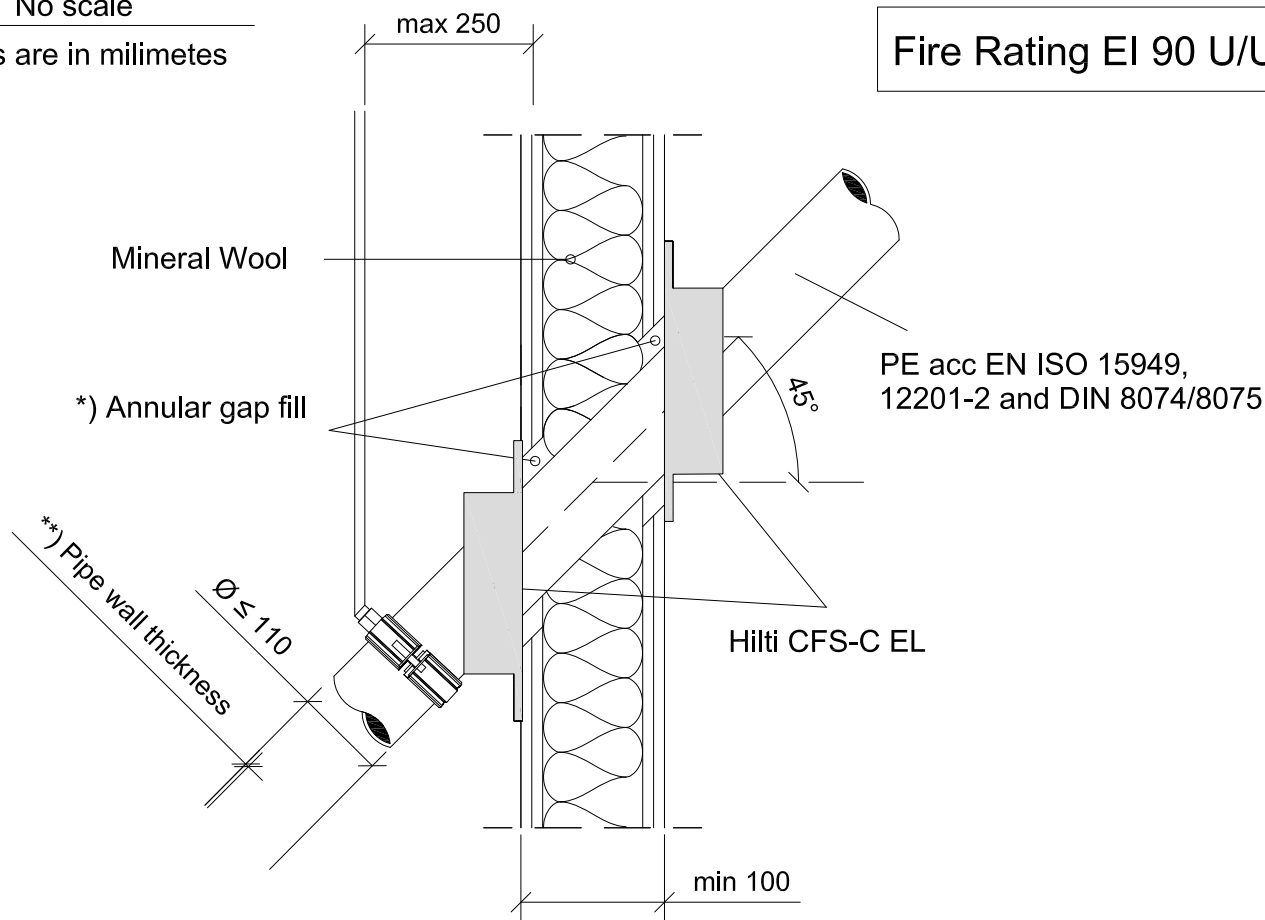
REV

00

No scale

All units are in millimetres

Fire Rating EI 90 U/U



*) Annular gap fill material

| | |
|--|---|
| Gypsum based mortar | Joint filler has to be installed from both sides with depth >25 mm. A gap width 0-15 mm, backfilling is not requested |
| Hilti Firestop Acrylic Sealant CFS-S ACR | |

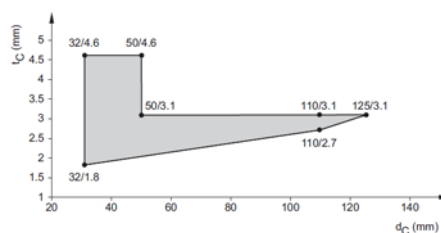
- Approval ETA-14/0085 of 23/04/2014
- Reaction to fire acc EN 13501-1
- Fire resistance test acc 1366-3
- Installation according to Hilti instructions

Sound Insulation for flexible wall

$$D_{n,w} = 60 \text{ dB}$$

$$R_w = 53 \text{ dB}$$

**) The pipe wall thickness approved can be found in this graphic





CONTENTS

Zero distance to other system,
Conlit or CFS-B

ID

IND-FW-PP-0119

FIRESTOP COLLAR ENDLESS

0119_01

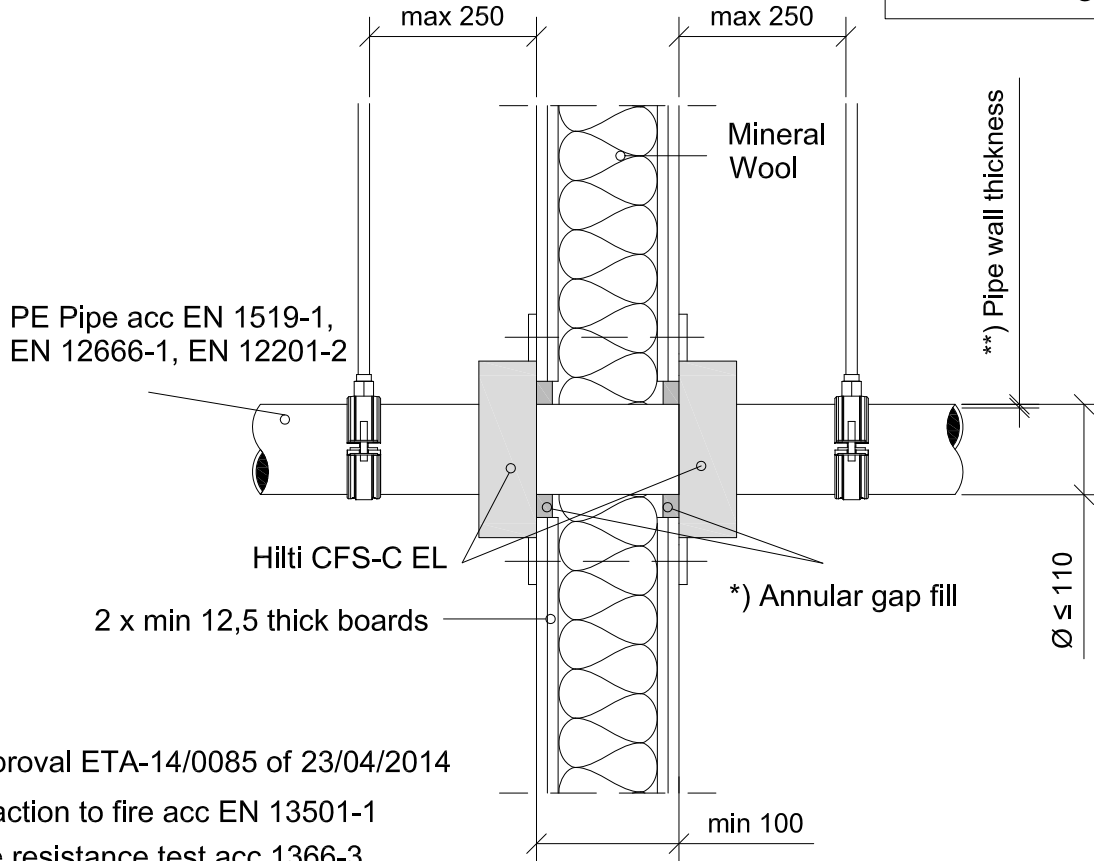
REV

00

No scale

All units are in millimetres

Fire Rating EI 90 U/U



- Approval ETA-14/0085 of 23/04/2014
- Reaction to fire acc EN 13501-1
- Fire resistance test acc 1366-3
- Installation according to Hilti instructions

Approved pipes and insulation to be used with Conlit 150, Rockwool 800 and CFS-B

* *) Annular gap fill material

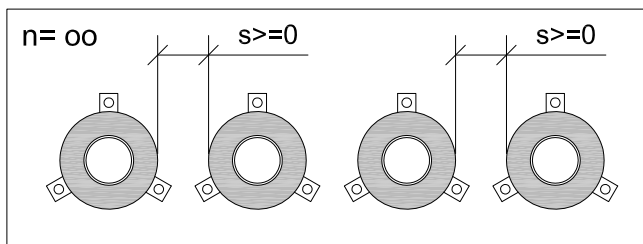
| | |
|--|---|
| Gypsum based mortar | Joint filler has to be installed from both sides with depth >25 mm. A gap width 0-15 mm, backfilling is not requested |
| Hilti Firestop Acrylic Sealant CFS-S ACR | |

Sound Insulation for flexible wall

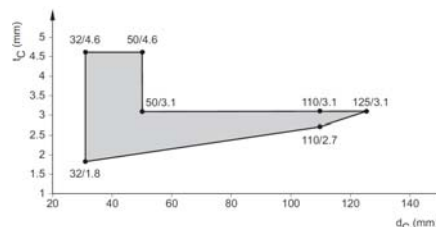
$$D_{n,w} = 60 \text{ dB}$$

$$R_w = 53 \text{ dB}$$

| | |
|--|--|
| Pipes types | Copper, unalloyed steel, alloyed steel, cast iron, stainless steel |
| Pipe outside diameter | dm < 42 mm |
| Pipe thickness | 1.2 mm < tm < 14.2 mm |
| Elastomeric foamed thermal insulation | CS with minimum length (ld>250mm) on both sides of the wall. |
| Elastomeric foamed thermal insulation thickness | 9 mm < De < 35 mm |
| Incombustible thermal insulation, based on mineral wool (combustibility class A1 or A2 in acc EN 13501 | - Conlit 150 inside the wall/floor only with Insulation thickness (td>19 mm) - Rockwool 800, covering the metal pipe outside the wall/floor with Insulation thickness td> 20 mm |



* *) The pipe wall thickness approved can be found in this graphic





CONTENTS

Straight plastic pipe in a flexible wall

ID

IND-FW-PP-0126

FIRESTOP COLLAR ENDLESS

0126_01

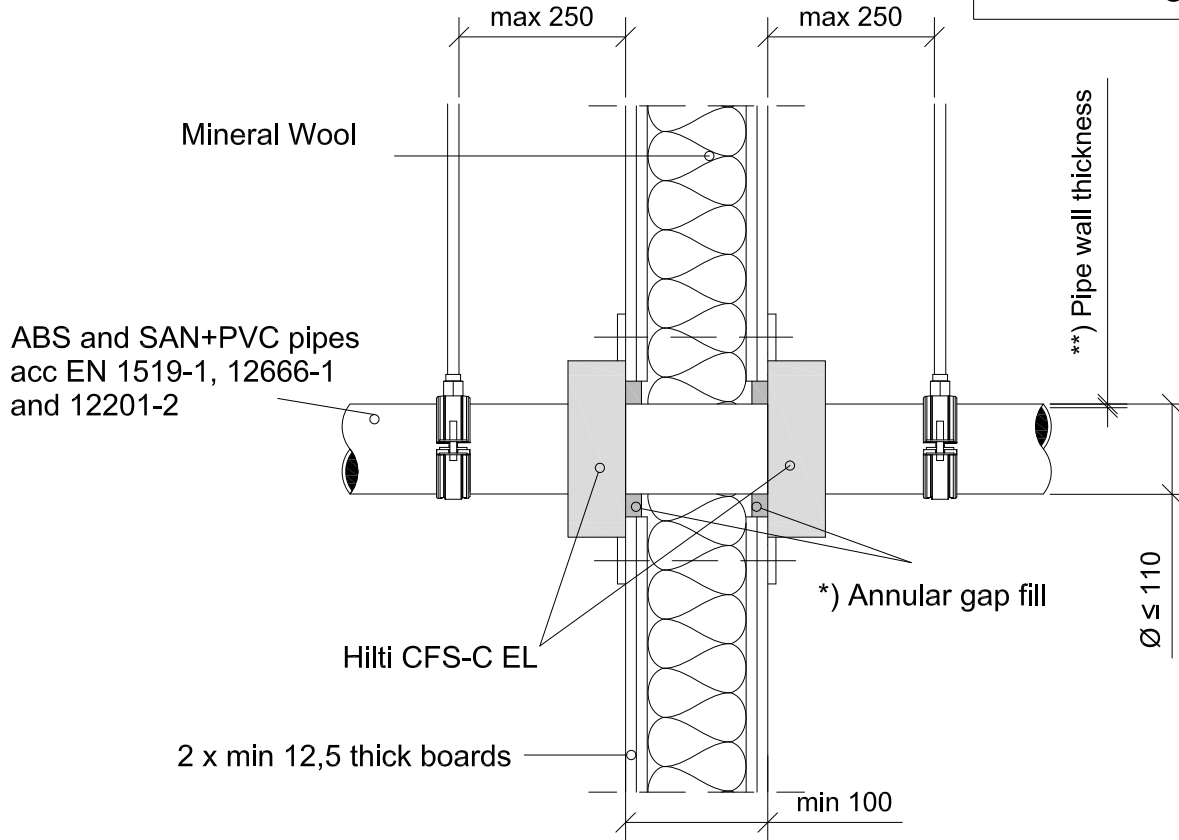
REV

00

No scale

All units are in millimetres

Fire Rating EI 90 U/U



ABS and SAN+PVC pipes acc EN 1519-1, 12666-1 and 12201-2

- Approval ETA-14/0085 of 23/04/2014
- Reaction to fire acc EN 13501-1
- Fire resistance test acc 1366-3
- Installation according to Hilti instructions

*) Annular gap fill material

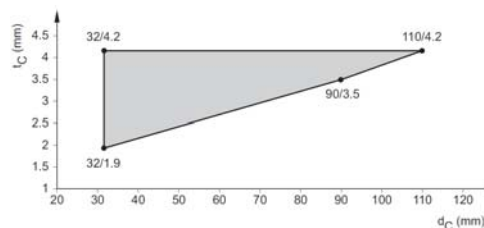
| | |
|--|---|
| Gypsum based mortar | Joint filler has to be installed from both sides with depth >25 mm. A gap width 0-15 mm, backfilling is not requested |
| Hilti Firestop Acrylic Sealant CFS-S ACR | |

Sound Insulation for flexible wall

**) The pipe wall thickness approved can be found in this graphic

$$D_{n,w} = 60 \text{ dB}$$

$$R_w = 53 \text{ dB}$$





CONTENTS

Straight plastic pipe in a flexible wall

ID

IND-FW-PP-0127

FIRESTOP COLLAR ENDLESS

0127_01

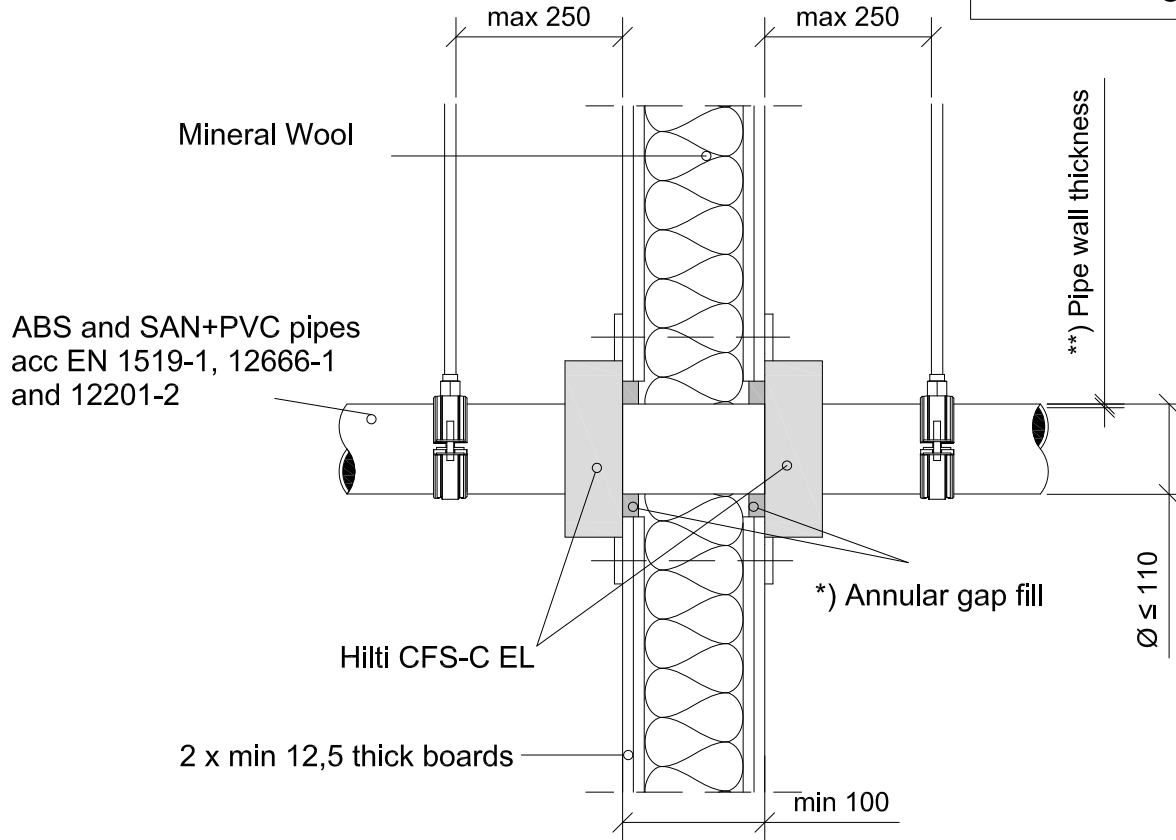
REV

00

No scale

All units are in milimetres

Fire Rating EI 60 U/U



ABS and SAN+PVC pipes
acc EN 1519-1, 12666-1
and 12201-2

*) Annular gap fill material

| | |
|--|---|
| Gypsum based mortar | Joint filler has to be installed from both sides with depth >25 mm. A gap width 0-15 mm, backfilling is not requested |
| Hilti Firestop Acrylic Sealant CFS-S ACR | |

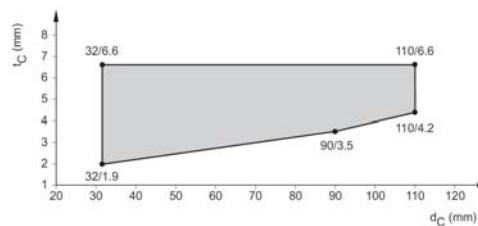
- Approval ETA-14/0085 of 23/04/2014
- Reaction to fire acc EN 13501-1
- Fire resistance test acc 1366-3
- Installation according to Hilti instructions

Sound Insulation for flexible wall

**) The pipe wall thickness approved can be found in this graphic

$$D_{n,w} = 60 \text{ dB}$$

$$R_w = 53 \text{ dB}$$





CONTENTS

Inclined plastic pipe in a flexible wall

ID

IND-FW-PP-0135

FIRESTOP COLLAR ENDLESS

0135_01

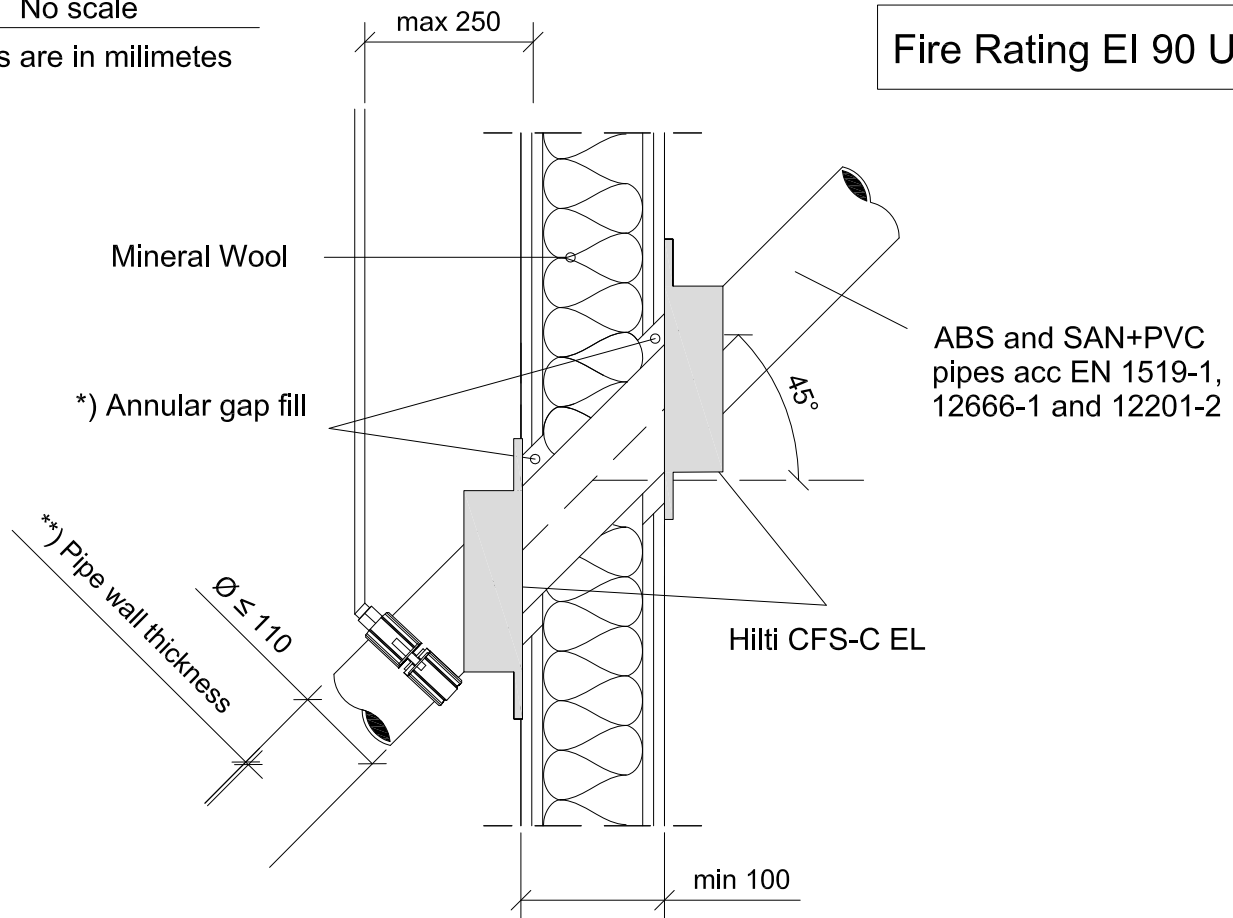
REV

00

No scale

All units are in milimetres

Fire Rating EI 90 U/U



*) Annular gap fill material

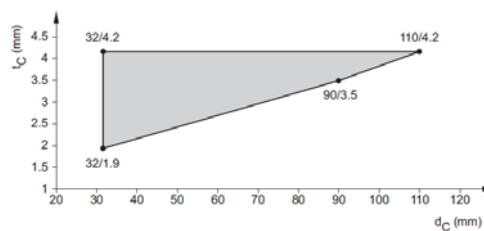
| | |
|--|---|
| Gypsum based mortar | Joint filler has to be installed from both sides with depth >25 mm. A gap width 0-15 mm, backfilling is not requested |
| Hilti Firestop Acrylic Sealant CFS-S ACR | |

- Approval ETA-14/0085 of 23/04/2014
- Reaction to fire acc EN 13501-1
- Fire resistance test acc 1366-3
- Installation according to Hilti instructions

Sound Insulation for flexible wall

| | |
|-----------|---------|
| $D_{n,w}$ | = 60 dB |
| R_w | = 53 dB |

**) The pipe wall thickness approved can be found in this graphic





CONTENTS

Zero distance to other system,
Conlit or CFS-B

ID

IND-FW-PP-0143

FIRESTOP COLLAR ENDLESS

0143_01

REV

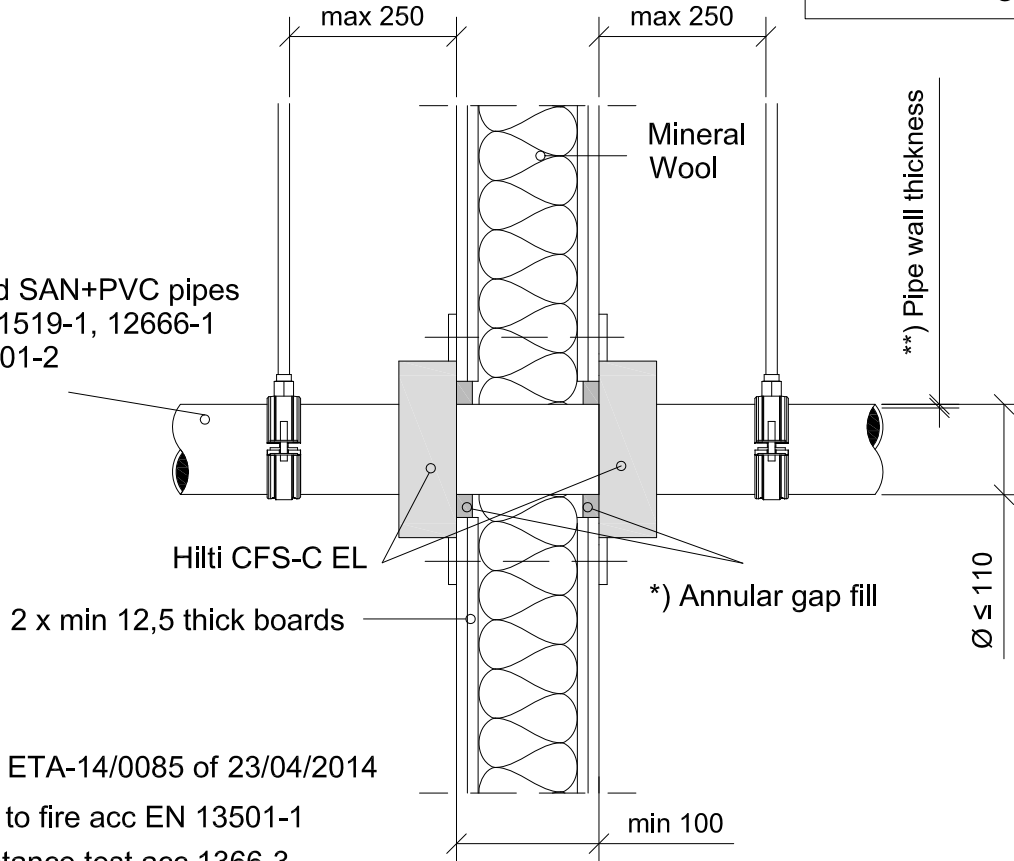
00

No scale

All units are in millimetres

Fire Rating EI 90 U/U

ABS and SAN+PVC pipes
acc EN 1519-1, 12666-1
and 12201-2



- Approval ETA-14/0085 of 23/04/2014
- Reaction to fire acc EN 13501-1
- Fire resistance test acc 1366-3
- Installation according to Hilti instructions

Approved pipes and insulation to be used with Conlit 150, Rockwool 800 and CFS-B

*) Annular gap fill material

| | |
|--|---|
| Gypsum based mortar | Joint filler has to be installed from both sides with depth >25 mm. A gap width 0-15 mm, backfilling is not requested |
| Hilti Firestop Acrylic Sealant CFS-S ACR | |

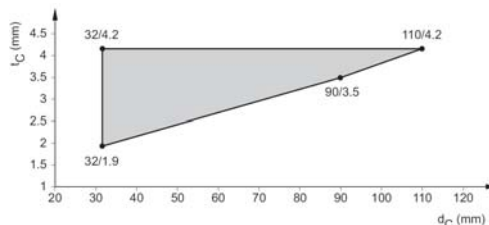
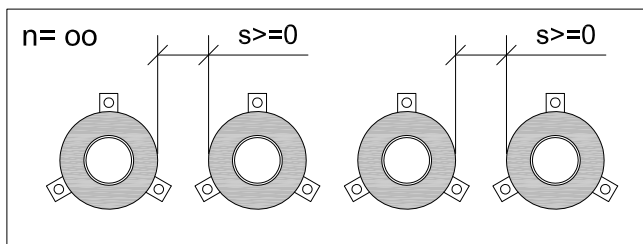
Sound Insulation for flexible wall

$$D_{n,w} = 60 \text{ dB}$$

$$R_w = 53 \text{ dB}$$

| | |
|--|--|
| Pipes types | Copper, unalloyed steel, alloyed steel, cast iron, stainless steel |
| Pipe outside diameter | dm < 42 mm |
| Pipe thickness | 1.2 mm < tm < 14.2 mm |
| Elastomeric foamed thermal insulation | CS with minimum length (ld>250mm) on both sides of the wall. |
| Elastomeric foamed thermal insulation thickness | 9 mm < De < 35 mm |
| Incombustible thermal insulation, based on mineral wool (combustibility class A1 or A2 in acc EN 13501 | - Conlit 150 inside the wall/floor only with Insulation thickness (td>19 mm) - Rockwool 800, covering the metal pipe outside the wall/floor with Insulation thickness td> 20 mm |

**) The pipe wall thickness approved can be found in this graphic





CONTENTS

Zero distance to other system,
Conlit or CFS-B

ID

IND-FW-PP-0144

FIRESTOP COLLAR ENDLESS

0144_01

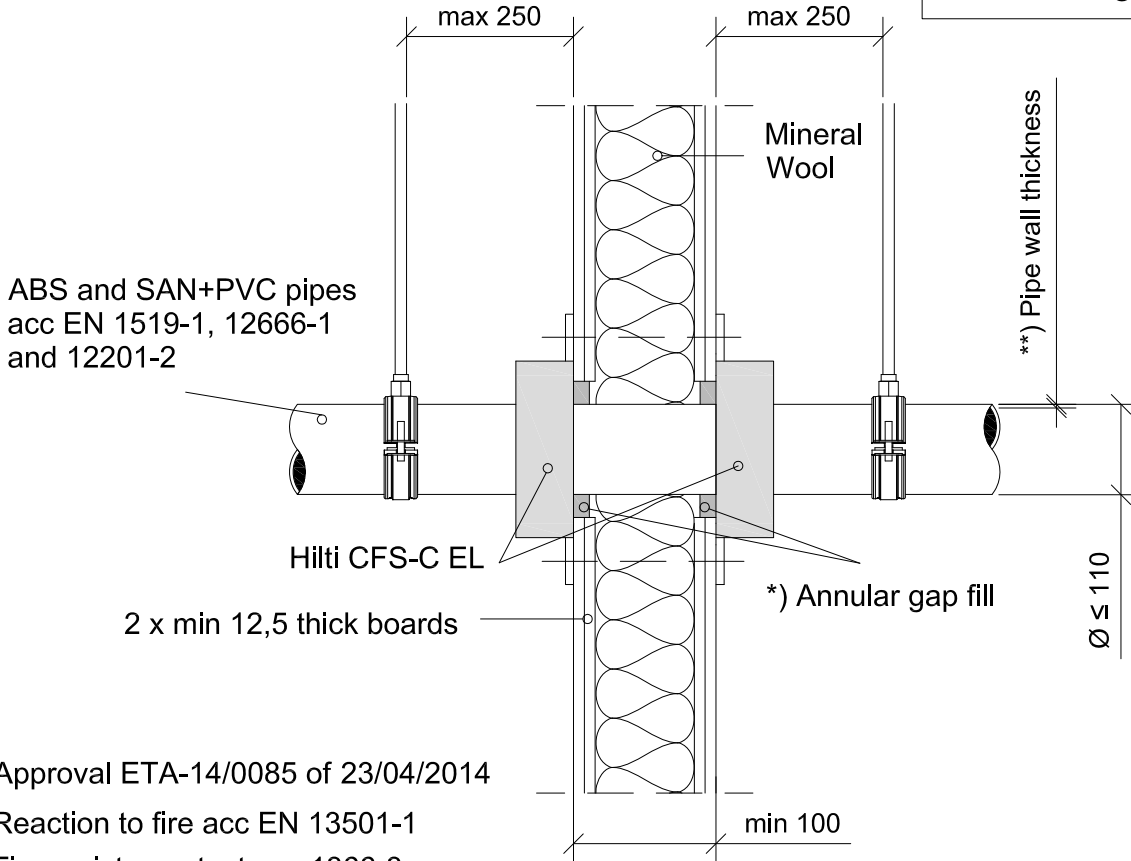
REV

00

No scale

All units are in millimetres

Fire Rating EI 60 U/U



- Approval ETA-14/0085 of 23/04/2014
- Reaction to fire acc EN 13501-1
- Fire resistance test acc 1366-3
- Installation according to Hilti instructions

Approved pipes and insulation to be used with Conlit 150, Rockwool 800 and CFS-B

*) Annular gap fill material

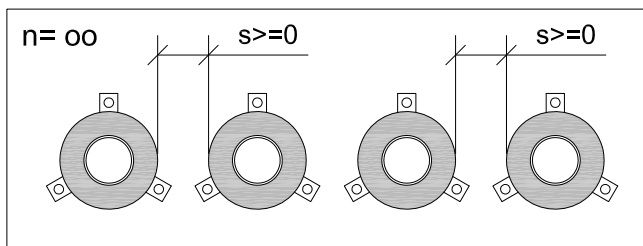
| | |
|--|---|
| Gypsum based mortar | Joint filler has to be installed from both sides with depth >25 mm. A gap width 0-15 mm, backfilling is not requested |
| Hilti Firestop Acrylic Sealant CFS-S ACR | |

Sound Insulation for flexible wall

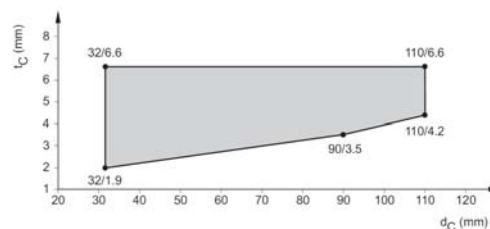
$$D_{n,w} = 60 \text{ dB}$$

$$R_w = 53 \text{ dB}$$

| | |
|--|--|
| Pipes types | Copper, unalloyed steel, alloyed steel, cast iron, stainless steel |
| Pipe outside diameter | dm < 42 mm |
| Pipe thickness | 1.2 mm < tm < 14.2 mm |
| Elastomeric foamed thermal insulation | CS with minimum length (ld>250mm) on both sides of the wall. |
| Elastomeric foamed thermal insulation thickness | 9 mm < De < 35 mm |
| Incombustible thermal insulation, based on mineral wool (combustibility class A1 or A2 in acc EN 13501 | - Conlit 150 inside the wall/floor only with Insulation thickness (td>19 mm) - Rockwool 800, covering the metal pipe outside the wall/floor with Insulation thickness td> 20 mm |



**) The pipe wall thickness approved can be found in this graphic





CONTENTS

Straight plastic pipe in a shaft wall

ID

IND-SW-PP-0150

FIRESTOP COLLAR ENDLESS

0150_01

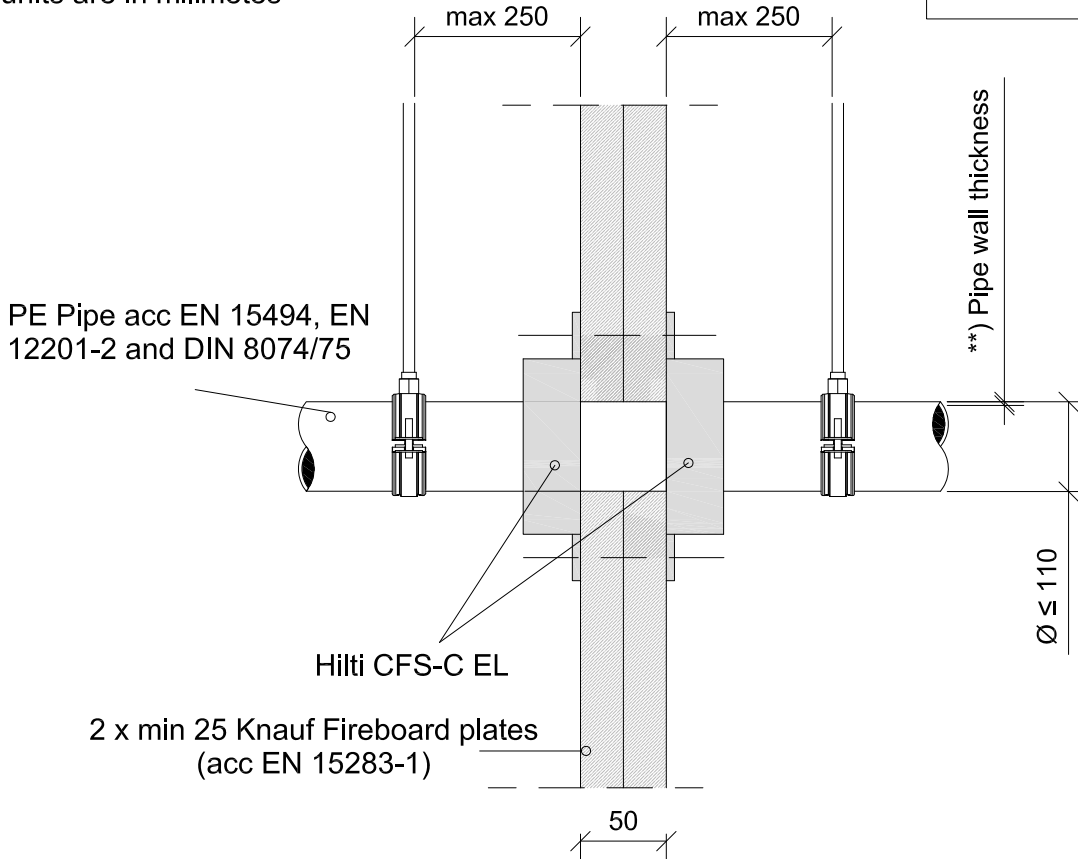
REV

00

No scale

All units are in millimetres

Fire Rating EI 90 U/U



Annular gap fill material

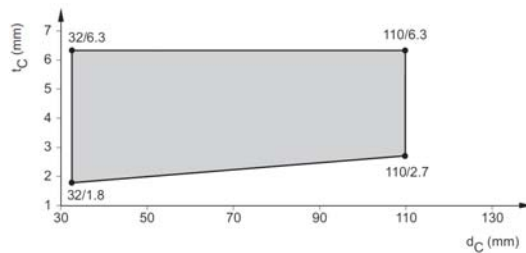
| | |
|----------------------------------|--|
| Hilti Firestop Filler CFS-FIL | The annular gap should be 5-40 mm applied from one side over the entire thickness of the wall. |
|----------------------------------|--|

- Approval ETA-14/0085 of 23/04/2014
- Reaction to fire acc EN 13501-1
- Fire resistance test acc 1366-3
- Installation according to Hilti instructions

Sound Insulation for flexible wall

| |
|---------------------------|
| $D_{n,w} = 60 \text{ dB}$ |
| $R_w = 53 \text{ dB}$ |

**) The pipe wall thickness approved can be found in this graphic





CONTENTS

Inclined plastic pipe in a shaft wall

ID

WW-SW-PP-0151

FIRESTOP COLLAR ENDLESS

0151_01

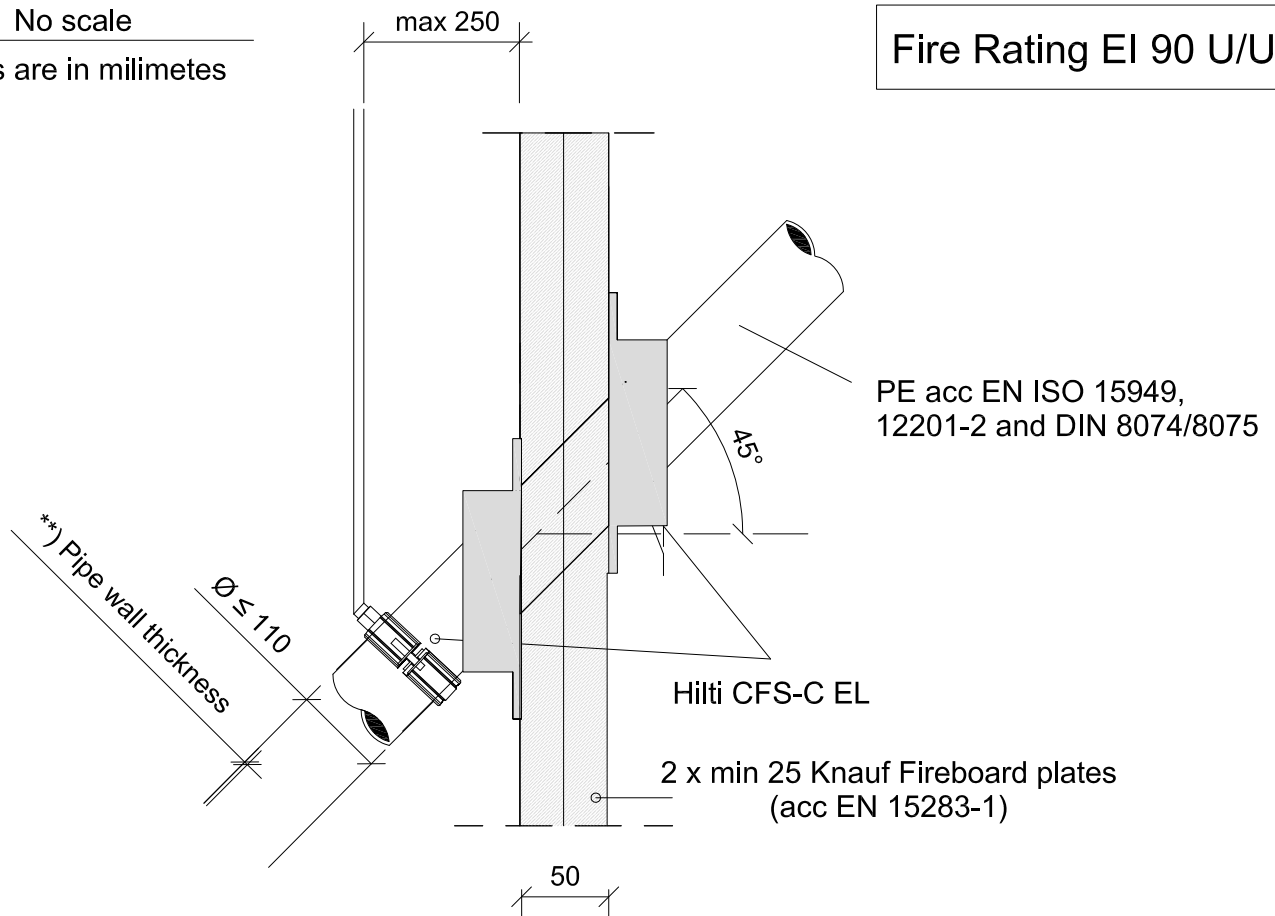
REV

00

No scale

All units are in millimetres

Fire Rating EI 90 U/U



Annular gap fill material

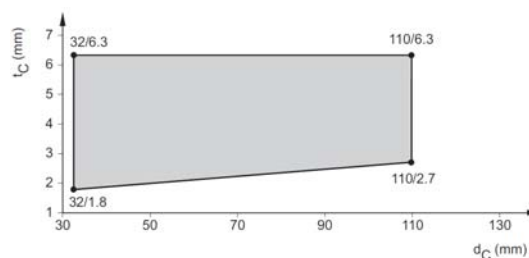
| | |
|----------------------------------|--|
| Hilti Firestop Filler CFS-FIL | The annular gap should be 5-40 mm applied from one side over the entire thickness of the wall. |
|----------------------------------|--|

- Approval ETA-14/0085 of 23/04/2014
- Reaction to fire acc EN 13501-1
- Fire resistance test acc 1366-3
- Installation according to Hilti instructions

Sound Insulation for flexible wall

| | |
|-----------|---------|
| $D_{n,w}$ | = 60 dB |
| R_w | = 53 dB |

**) The pipe wall thickness approved can be found in this graphic





CONTENTS

Zero distance to other system,
Conlit or CFS-B

ID

IND-SW-PP-0152

FIRESTOP COLLAR ENDLESS

0152_01

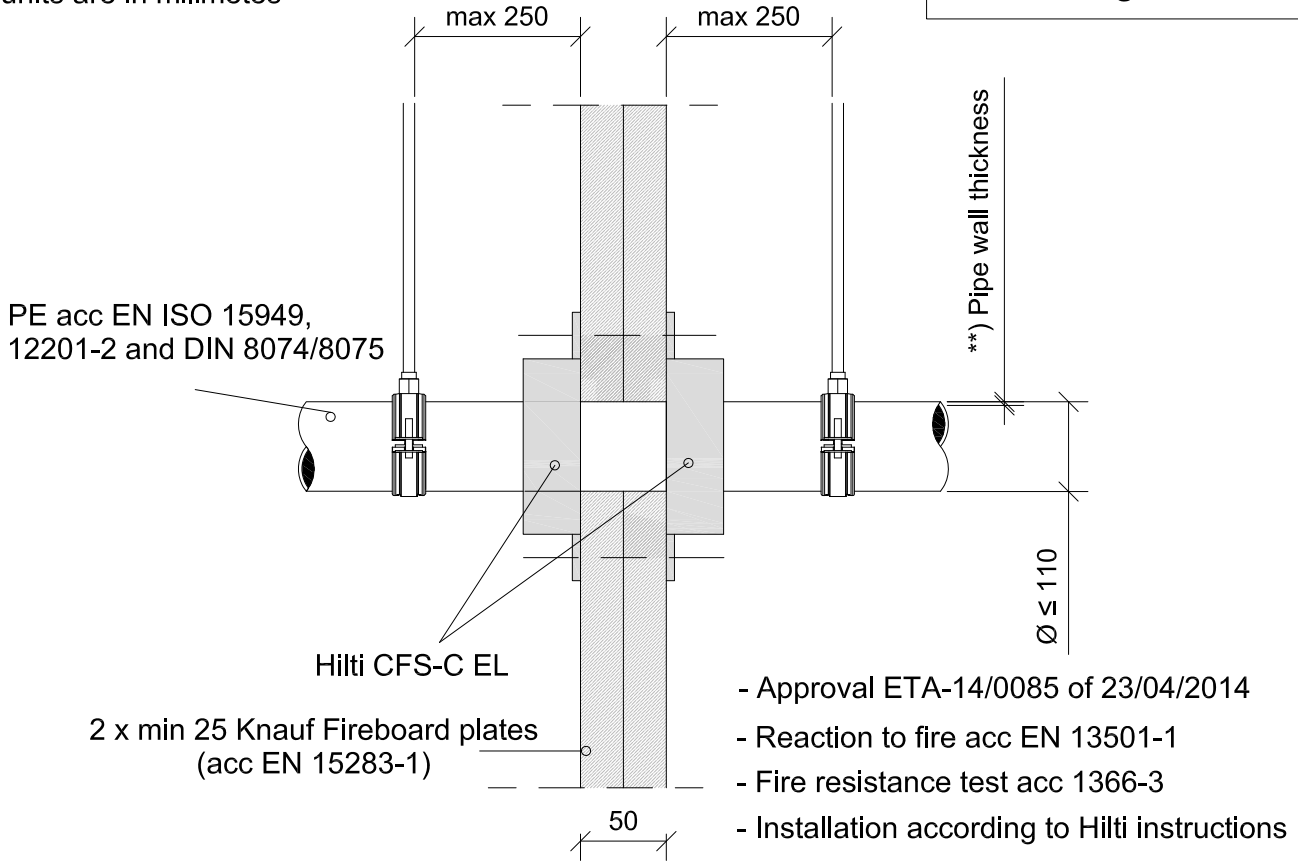
REV

00

No scale

All units are in millimetres

Fire Rating EI 90 U/U



Approved pipes and insulation to be used with Conlit 150, Rockwool 800 and CFS-B

Annular gap fill material

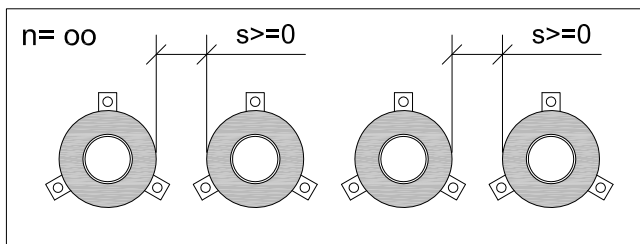
| | |
|----------------------------------|--|
| Hilti Firestop Filler CFS-FIL | The annular gap should be 5-40 mm applied from one side over the entire thickness of the wall. |
|----------------------------------|--|

| | |
|--|--|
| Pipes types | Copper, unalloyed steel, alloyed steel, cast iron, stainless steel |
| Pipe outside diameter | dm < 42 mm |
| Pipe thickness | 1.2 mm < tm < 14.2 mm |
| Elastomeric foamed thermal insulation | CS with minimum length (ld>250mm) on both sides of the wall. |
| Elastomeric foamed thermal insulation thickness | 9 mm < De < 35 mm |
| Incombustible thermal insulation, based on mineral wool (combustibility class A1 or A2 in acc EN 13501 | <ul style="list-style-type: none"> - Conlit 150 inside the wall/floor only with Insulation thickness (td>19 mm) - Rockwool 800, covering the metal pipe outside the wall/floor with Insulation thickness td> 20 mm |

Sound Insulation for flexible wall

$$D_{n,w} = 60 \text{ dB}$$

$$R_w = 53 \text{ dB}$$



$^{**}</math> The pipe wall thickness approved can be found in this graphic$

