

Schémas d'applications pour le collier en rouleau CFS-C EL



Applications pour eaux usées en dalle rigide épaisseur 150 mm, configurations diverses

- | | |
|--|-------------------------------|
| • Tube plastique(PE/PP/PVC) incliné | WW-RF-PP-0128/131/132 |
| • Tube plastique(PE/PP/PVC) contre le mur | WW-RF-PP-0154/157/158/159/160 |
| • Tube plastique(PE/PP/PVC) dans un coin | WW-RF-PP-0166/169/170 |
| • Jonction de tube plastique PE en dalle | WW-RF-PP-0171/172 |
| • Jonction de tube plastique PP en dalle | WW-RF-PP-0177/178/179 |
| • Jonction de tube plastique PVC en dalle | WW-RF-PP-0180/181/182 |
| • Tube plastique PE/PP (jonction de tube en dalle) | WW-RF-PP-0185/186 |
| • Tube plastique PE (sans distance avec autres systèmes, conlit ou CFS-B) | WW-RF-PP-0202/207/211 |
| • Tube plastique PP (sans distance avec autres systèmes, conlit ou CFS-B) | WW-RF-PP-0204/210/214 |
| • Tube plastique PVC (sans distance avec autres systèmes, conlit ou CFS-B) | WW-RF-PP-0206/215 |

*) Tous les schémas sont également disponibles sur demande en format DWG pour faciliter l'insertion sur des plans.



CONTENTS

Inclined plastic pipe in a floor

ID

WW-RF-PP-0128

FIRESTOP COLLAR ENDLESS

0128_01

REV

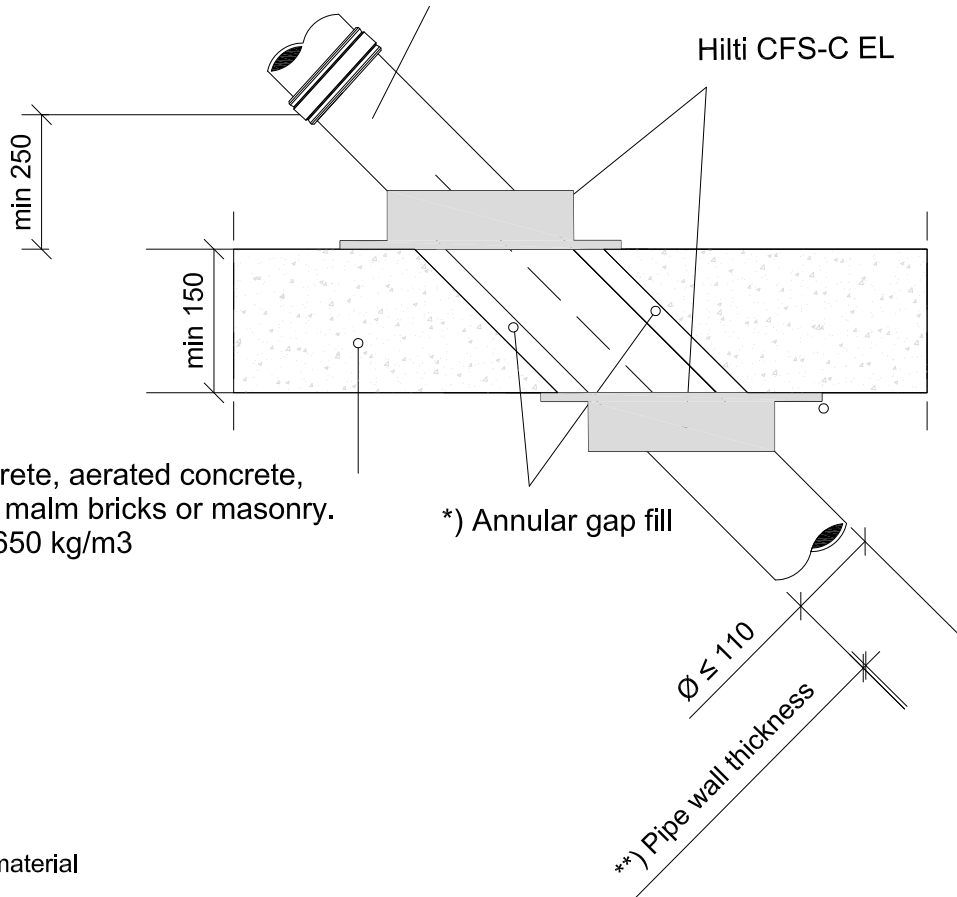
00

No scale

All units are in millimetres

Fire Rating EI 90 U/U

PE Pipe acc EN 1519-1,
EN 12666-1, EN 12201-2



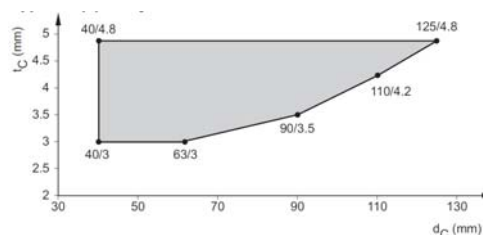
Comprise concrete, aerated concrete, brickwork, lime malm bricks or masonry. min density of 650 kg/m³

*) Annular gap fill material

Gap with (mm)	Annular Gap Fill
0-15	Hilti Firestop Acrylic Sealant CFS-S ACR only with a depth > 25 mm on both sides of the floor
0-40	Hilti Firestop Acrylic Sealant CFS-S ACR on top side of floor only with depth > 25 mm, backfilled with mineral wool
0-40	Cementitious mortar acc. EN 998-2 group M10 over the entire thickness of the wall.

- Approval ETA-14/0085 of 23/04/2014
- Reaction to fire acc EN 13501-1
- Fire resistance test acc EN 1366-3
- Installation according to Hilti instructions

***) The pipe wall thickness approved can be found in this graphic





CONTENTS

Inclined plastic pipe in a floor

ID

WW-RF-PP-0131

FIRESTOP COLLAR ENDLESS

0131_01

REV

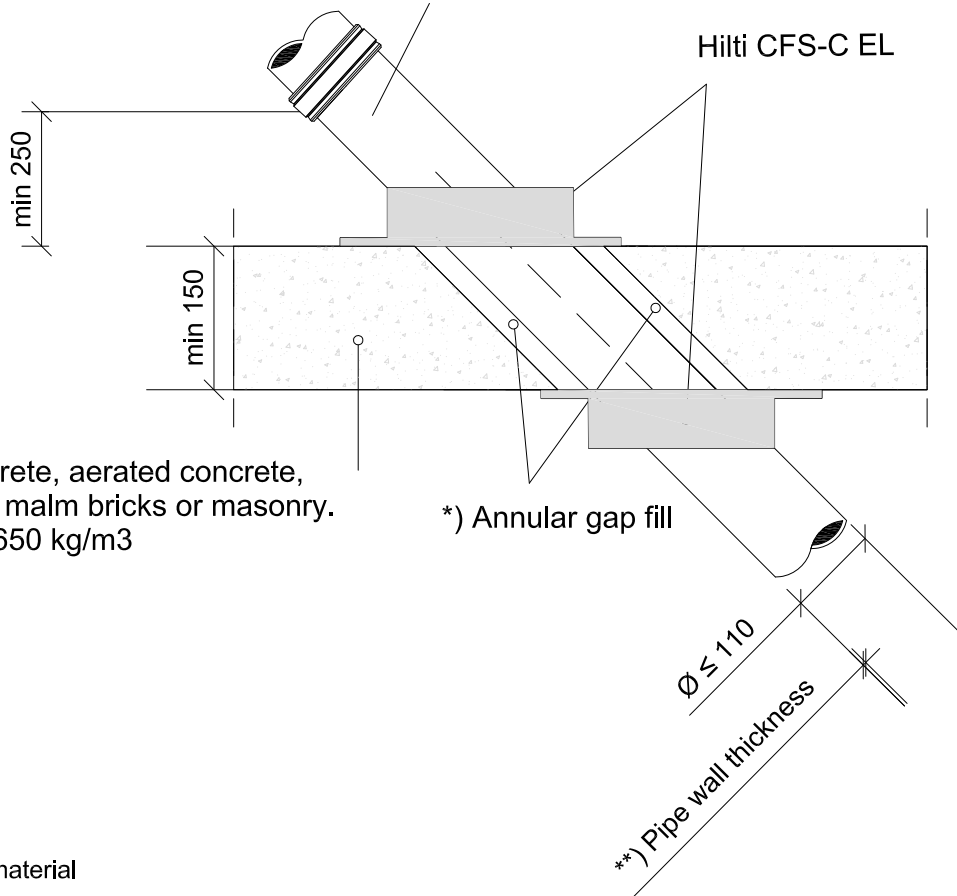
00

No scale

All units are in millimetres

Fire Rating EI 90 U/U

PP acc EN 1451-1 and
DIN 8077/78



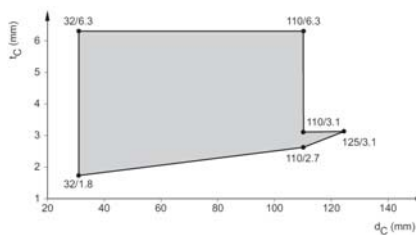
Comprise concrete, aerated concrete,
brickwork, lime malm bricks or masonry.
min density of 650 kg/m³

*) Annular gap fill material

Gap with (mm)	Annular Gap Fill
0-15	Hilti Firestop Acrylic Sealant CFS-S ACR only with a depth > 25 mm on both sides of the floor
0-40	Hilti Firestop Acrylic Sealant CFS-S ACR on top side of floor only with depth > 25 mm, backfilled with mineral wool
0-40	Cementitious mortar acc. EN 998-2 group M10 over the entire thickness of the wall.

- Approval ETA-14/0085 of 23/04/2014
- Reaction to fire acc EN 13501-1
- Fire resistance test acc EN 1366-3
- Installation according to Hilti instructions

**) The pipe wall thickness approved can be found in this graphic





CONTENTS

Inclined plastic pipe in a floor

ID

WW-RF-PP-0132

FIRESTOP COLLAR ENDLESS

0132_01

REV

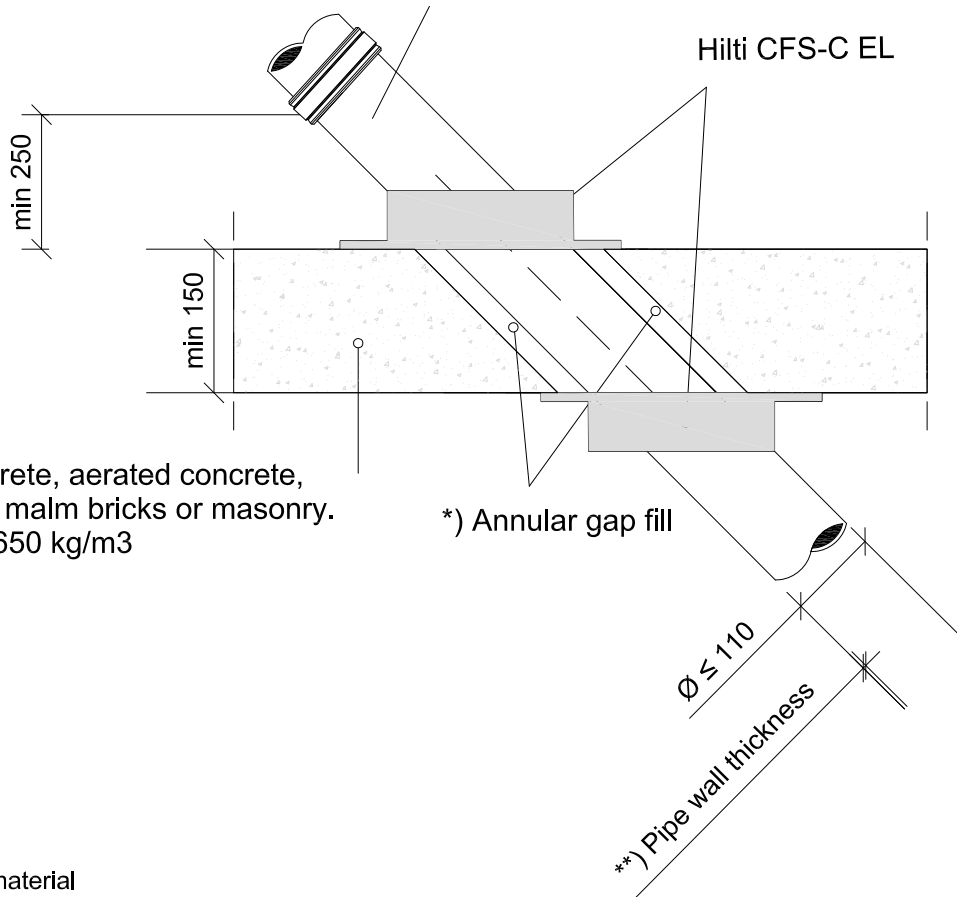
00

No scale

All units are in milimetres

PVC acc EN 1452-1, EN 1329-1, EN 1453-1, EN 1566-1, EN ISO 15493 and DIN 8061/62

Fire Rating EI 90 U/U



Comprise concrete, aerated concrete, brickwork, lime malm bricks or masonry. min density of 650 kg/m³

*) Annular gap fill

$\varnothing \leq 110$

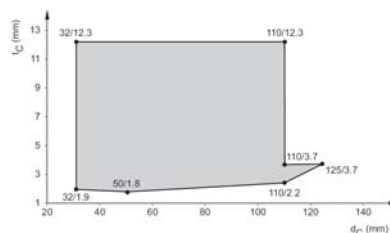
***) Pipe wall thickness

*) Annular gap fill material

Gap with (mm)	Annular Gap Fill
0-15	Hilti Firestop Acrylic Sealant CFS-S ACR only with a depth > 25 mm on both sides of the floor
0-40	Hilti Firestop Acrylic Sealant CFS-S ACR on top side of floor only with depth > 25 mm, backfilled with mineral wool
0-40	Cementitious mortar acc. EN 998-2 group M10 over the entire thickness of the wall.

- Approval ETA-14/0085 of 23/04/2014
- Reaction to fire acc EN 13501-1
- Fire resistance test acc EN 1366-3
- Installation according to Hilti instructions

**) The pipe wall thickness approved can be found in this graphic





CONTENTS

Plastic pipe on the floor

ID

WW-RF-PP-0154

FIRESTOP COLLAR ENDLESS

0154_01

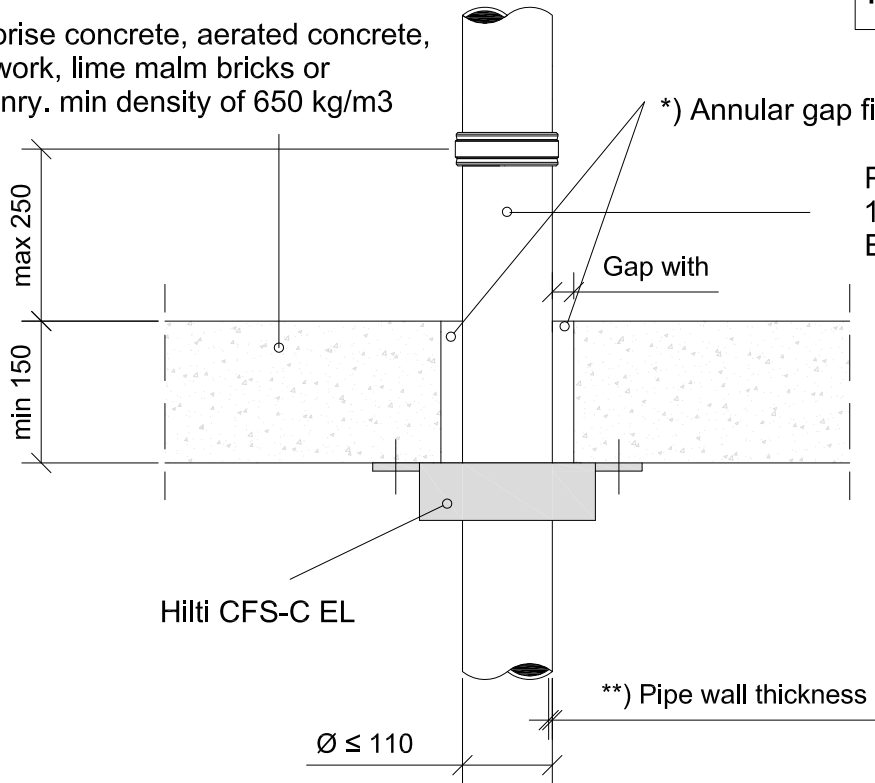
REV
00

No scale

All units are in millimetres

Fire Rating EI 120 U/U

Comprise concrete, aerated concrete, brickwork, lime malm bricks or masonry. min density of 650 kg/m³



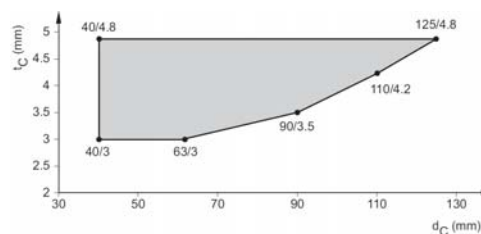
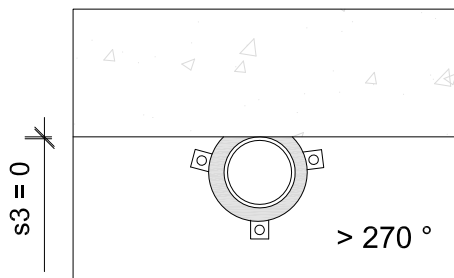
PE Pipe acc EN
1519-1, EN 12666-1,
EN 12201-2

*) Annular gap fill material

Gap with (mm)	Annular Gap Fill
0-15	Hilti Firestop Acrylic Sealant CFS-S ACR only with a depth > 25 mm on both sides of the floor
0-40	Hilti Firestop Acrylic Sealant CFS-S ACR on top side of floor only with depth > 25 mm, backfilled with mineral wool
0-40	Cementious mortar acc. EN 998-2 group M10 over the entire thickness of the floor.

- Approval ETA-14/0085 of 23/04/2014
- Reaction to fire acc EN 13501-1
- Fire resistance test acc EN 1366-3
- Installation according to Hilti instructions

**) The pipe wall thickness approved can be found in this graphic





CONTENTS

Plastic pipe on the floor

ID

WW-RF-PP-0157

FIRESTOP COLLAR ENDLESS

0157_01

REV

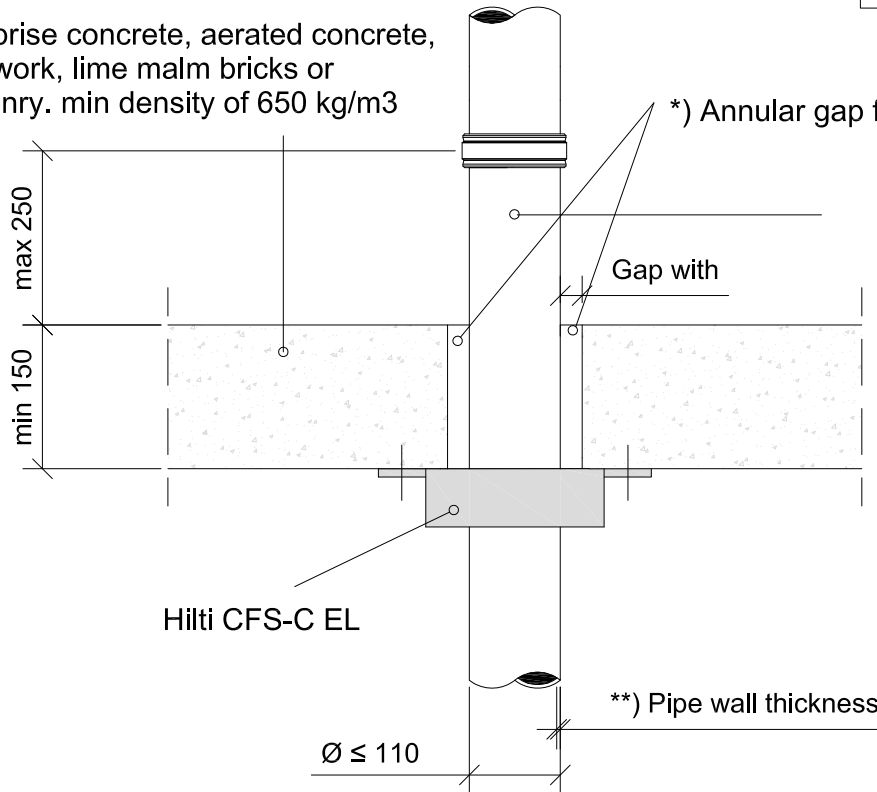
00

No scale

All units are in millimetres

Fire Rating EI 120 U/U

Comprise concrete, aerated concrete, brickwork, lime malm bricks or masonry. min density of 650 kg/m³



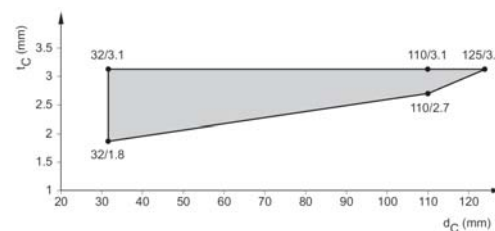
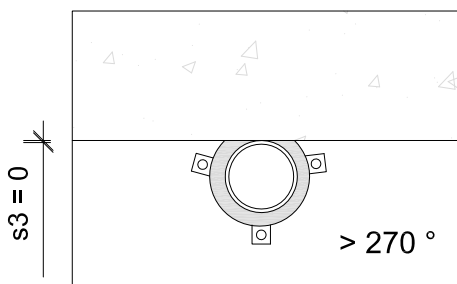
PP acc EN 1451-1 and DIN 8077/78

*) Annular gap fill material

Gap with (mm)	Annular Gap Fill
0-15	Hilti Firestop Acrylic Sealant CFS-S ACR only with a depth > 25 mm on both sides of the floor
0-40	Hilti Firestop Acrylic Sealant CFS-S ACR on top side of floor only with depth > 25 mm, backfilled with mineral wool
0-40	Cementious mortar acc. EN 998-2 group M10 over the entire thickness of the floor.

- Approval ETA-14/0085 of 23/04/2014
- Reaction to fire acc EN 13501-1
- Fire resistance test acc EN 1366-3
- Installation according to Hilti instructions

**) The pipe wall thickness approved can be found in this graphic





CONTENTS

Plastic pipe on the floor

ID

WW-RF-PP-0158

FIRESTOP COLLAR ENDLESS

0158_01

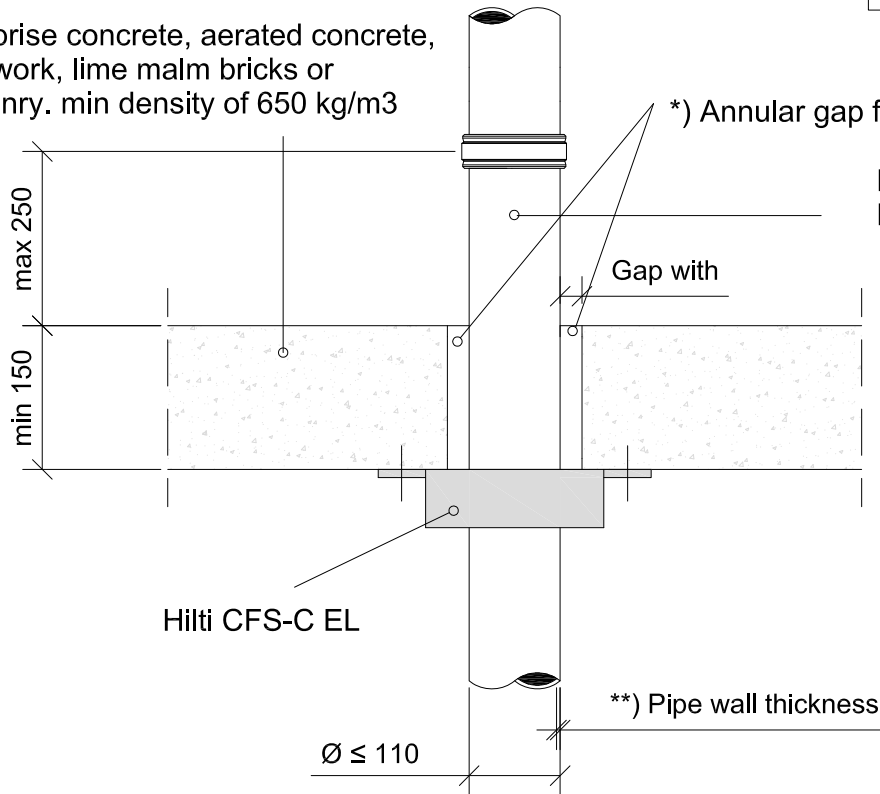
REV 00

No scale

All units are in millimetres

Fire Rating EI 90 U/U

Comprise concrete, aerated concrete, brickwork, lime malm bricks or masonry. min density of 650 kg/m³



PP acc EN 1451-1 and
DIN 8077/78

Hilti CFS-C EL

**) Pipe wall thickness

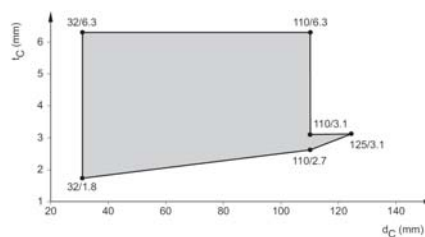
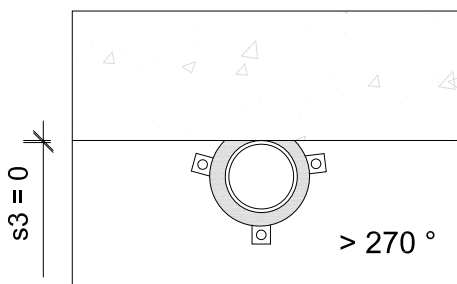
Ø ≤ 110

*) Annular gap fill material

Gap with (mm)	Annular Gap Fill
0-15	Hilti Firestop Acrylic Sealant CFS-S ACR only with a depth > 25 mm on both sides of the floor
0-40	Hilti Firestop Acrylic Sealant CFS-S ACR on top side of floor only with depth > 25 mm, backfilled with mineral wool
0-40	Cementitious mortar acc. EN 998-2 group M10 over the entire thickness of the floor.

- Approval ETA-14/0085 of 23/04/2014
- Reaction to fire acc EN 13501-1
- Fire resistance test acc EN 1366-3
- Installation according to Hilti instructions

**) The pipe wall thickness approved can be found in this graphic





CONTENTS

Plastic pipe on the floor

ID

WW-RF-PP-0159

FIRESTOP COLLAR ENDLESS

0159_01

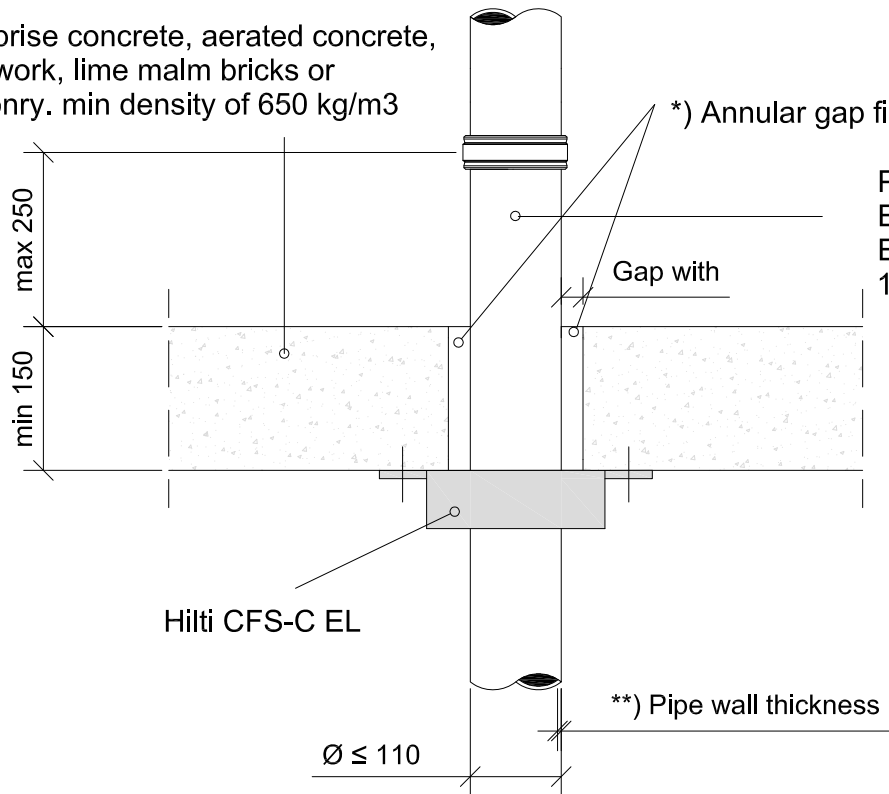
REV
00

No scale

All units are in millimetres

Fire Rating EI 120 U/U

Comprise concrete, aerated concrete, brickwork, lime malm bricks or masonry. min density of 650 kg/m³



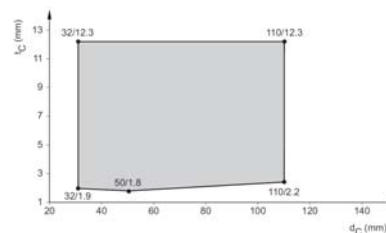
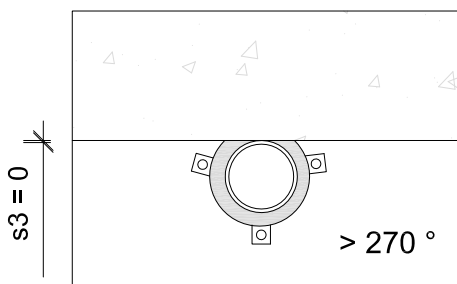
PVC acc EN 1452-1, EN 1329-1, EN 1453-1, EN 1566-1, EN ISO 15493 and DIN 8061/62

***) Annular gap fill material**

Gap with (mm)	Annular Gap Fill
0-15	Hilti Firestop Acrylic Sealant CFS-S ACR only with a depth > 25 mm on both sides of the floor
0-40	Hilti Firestop Acrylic Sealant CFS-S ACR on top side of floor only with depth > 25 mm, backfilled with mineral wool
0-40	Cementious mortar acc. EN 998-2 group M10 over the entire thickness of the wall.

- Approval ETA-14/0085 of 23/04/2014
- Reaction to fire acc EN 13501-1
- Fire resistance test acc EN 1366-3
- Installation according to Hilti instructions

****') The pipe wall thickness approved can be found in this graphic**





CONTENTS

Plastic pipe on the floor

ID

WW-RF-PP-0160

FIRESTOP COLLAR ENDLESS

0160_01

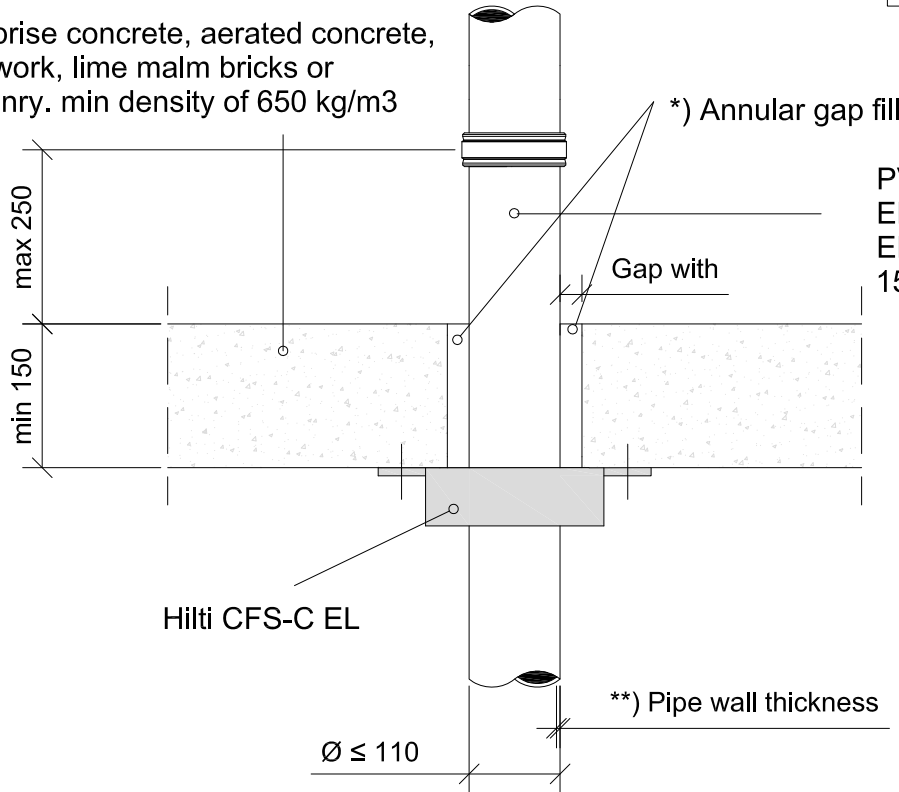
REV
00

No scale

All units are in millimetres

Fire Rating EI 90 U/U

Comprise concrete, aerated concrete, brickwork, lime malm bricks or masonry. min density of 650 kg/m³



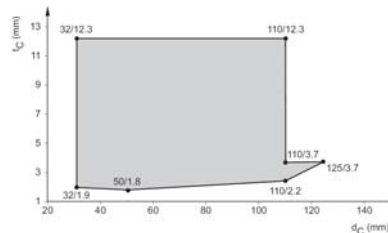
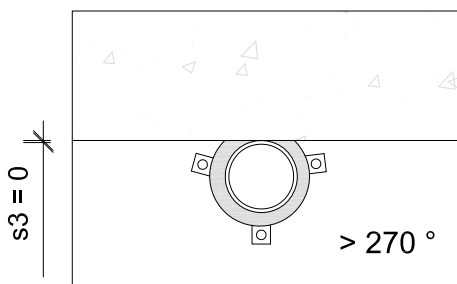
PVC acc EN 1452-1, EN 1329-1, EN 1453-1, EN 1566-1, EN ISO 15493 and DIN 8061/62

*) Annular gap fill material

Gap with (mm)	Annular Gap Fill
0-15	Hilti Firestop Acrylic Sealant CFS-S ACR only with a depth > 25 mm on both sides of the floor
0-40	Hilti Firestop Acrylic Sealant CFS-S ACR on top side of floor only with depth > 25 mm, backfilled with mineral wool
0-40	Cementitious mortar acc. EN 998-2 group M10 over the entire thickness of the floor.

- Approval ETA-14/0085 of 23/04/2014
- Reaction to fire acc EN 13501-1
- Fire resistance test acc EN 1366-3
- Installation according to Hilti instructions

**) The pipe wall thickness approved can be found in this graphic





CONTENTS

Plastic pipe on the corner in a rigid floor

ID

WW-RF-PP-0166

FIRESTOP COLLAR ENDLESS

0166_01

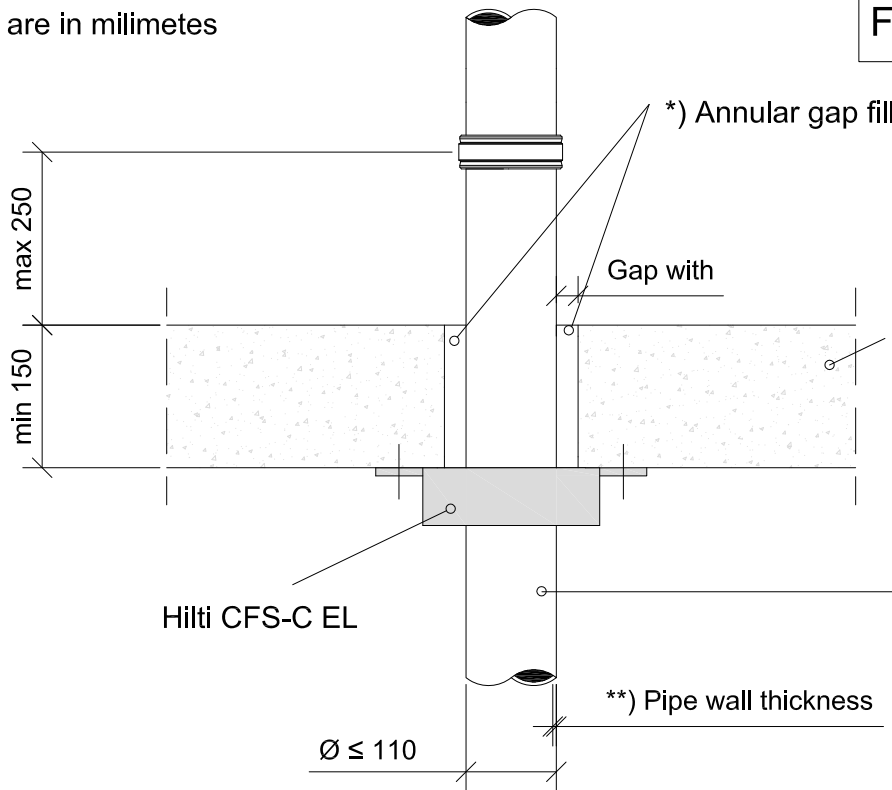
REV

00

No scale

All units are in millimetres

Fire Rating EI 90 U/U



Comprise concrete, aerated concrete, brickwork, lime malm bricks or masonry. min density of 650 kg/m³

PE Pipe acc EN 1519-1, EN 12666-1, EN 12201-2

Hilti CFS-C EL

***) Pipe wall thickness

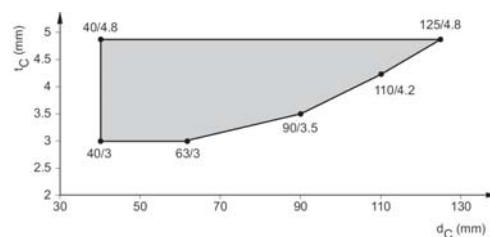
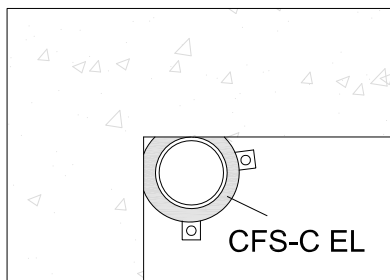
Ø ≤ 110

*) Annular gap fill material

Gap with (mm)	Annular Gap Fill
0-15	Hilti Firestop Acrylic Sealant CFS-S ACR only with a depth > 25 mm on both sides of the floor
0-40	Hilti Firestop Acrylic Sealant CFS-S ACR on top side of floor only with depth > 25 mm, backfilled with mineral wool
0-40	Cementious mortar acc. EN 998-2 group M10 over the entire thickness of the floor.

- Approval ETA-14/0085 of 23/04/2014
- Reaction to fire acc EN 13501-1
- Fire resistance test acc EN 1366-3
- Installation according to Hilti instructions

***) The pipe wall thickness approved can be found in this graphic





CONTENTS

Plastic pipe on the corner in a rigid floor

ID

WW-RF-PP-0169

FIRESTOP COLLAR ENDLESS

0169_01

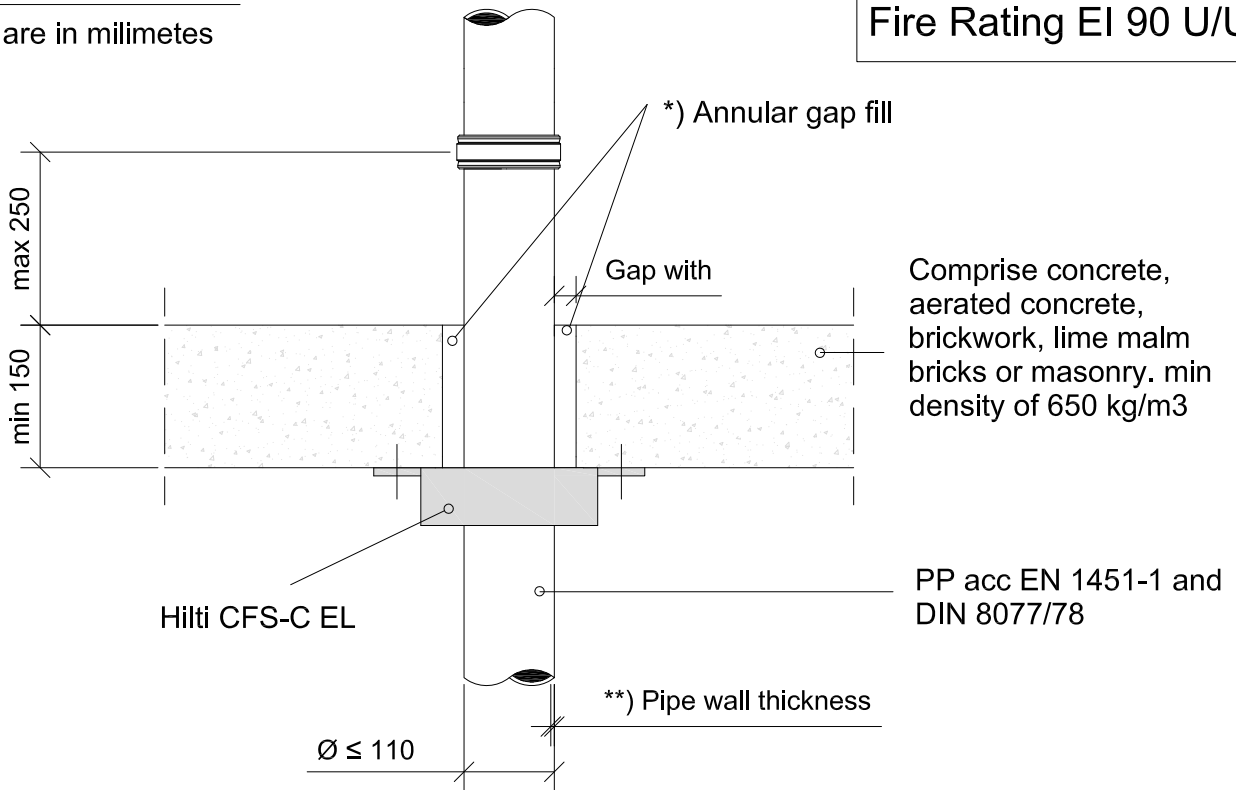
REV

00

No scale

All units are in millimetres

Fire Rating EI 90 U/U

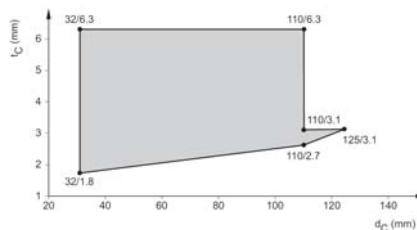
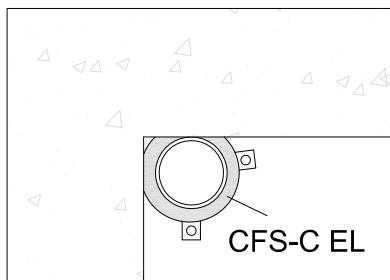


*) Annular gap fill material

Gap with (mm)	Annular Gap Fill
0-15	Hilti Firestop Acrylic Sealant CFS-S ACR only with a depth > 25 mm on both sides of the floor
0-40	Hilti Firestop Acrylic Sealant CFS-S ACR on top side of floor only with depth > 25 mm, backfilled with mineral wool
0-40	Cementious mortar acc. EN 998-2 group M10 over the entire thickness of the floor.

- Approval ETA-14/0085 of 23/04/2014
- Reaction to fire acc EN 13501-1
- Fire resistance test acc EN 1366-3
- Installation according to Hilti instructions

***) The pipe wall thickness approved can be found in this graphic





CONTENTS

Plastic pipe on the corner in a rigid floor

ID

WW-RF-PP-0170

FIRESTOP COLLAR ENDLESS

0170_01

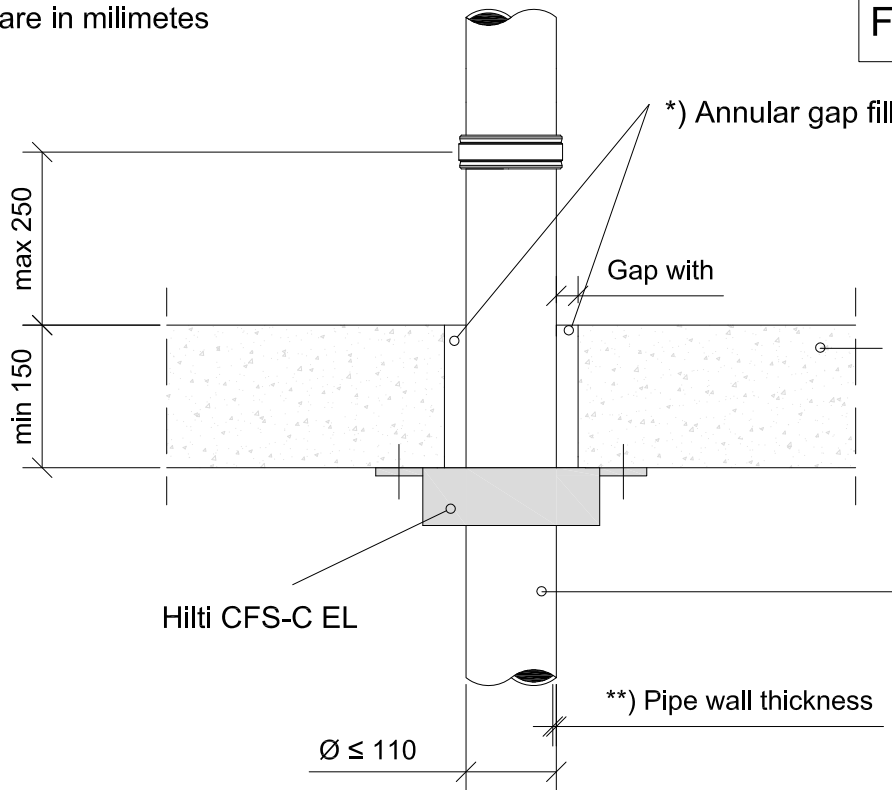
REV

00

No scale

All units are in millimetres

Fire Rating EI 90 U/U



Comprise concrete, aerated concrete, brickwork, lime malm bricks or masonry. min density of 650 kg/m³

PVC acc EN 1452-1, EN 1329-1, EN 1453-1, EN 1566-1, EN ISO 15493 and DIN 8061/62

Hilti CFS-C EL

**). Pipe wall thickness

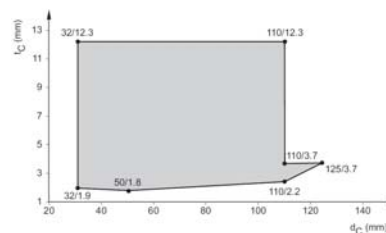
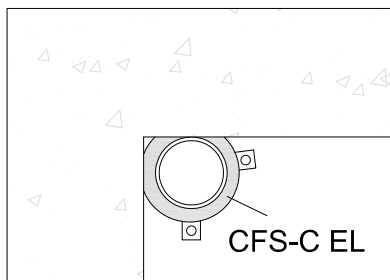
$\varnothing \le 110$

*) Annular gap fill material

Gap with (mm)	Annular Gap Fill
0-15	Hilti Firestop Acrylic Sealant CFS-S ACR only with a depth > 25 mm on both sides of the floor
0-40	Hilti Firestop Acrylic Sealant CFS-S ACR on top side of floor only with depth > 25 mm, backfilled with mineral wool
0-40	Cementious mortar acc. EN 998-2 group M10 over the entire thickness of the floor.

- Approval ETA-14/0085 of 23/04/2014
- Reaction to fire acc EN 13501-1
- Fire resistance test acc EN 1366-3
- Installation according to Hilti instructions

**). The pipe wall thickness approved can be found in this graphic





CONTENTS

Plastic pipe junction in floors
(Manifold)

ID

WW-RF-PP-0171

FIRESTOP COLLAR ENDLESS

0171_01

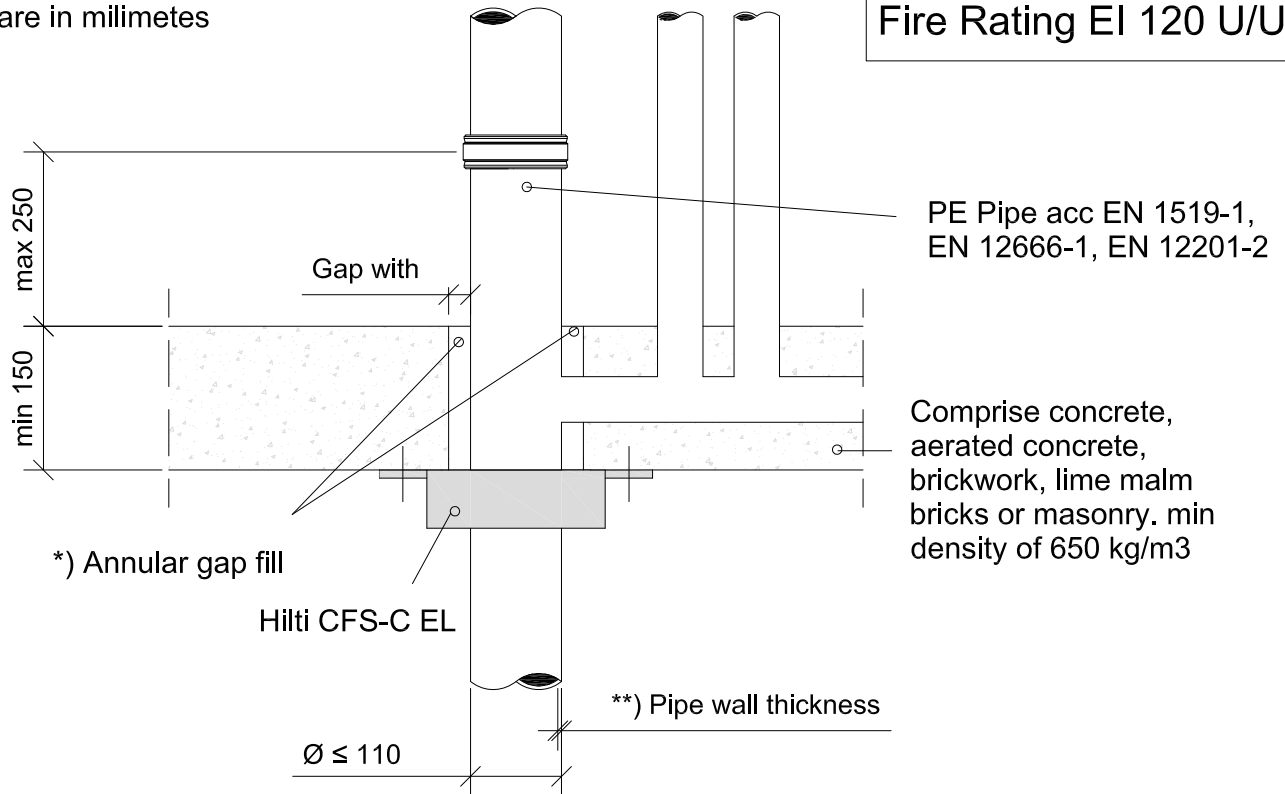
REV

00

No scale

All units are in millimetres

Fire Rating EI 120 U/U



*) Annular gap fill

Hilti CFS-C EL

**) Pipe wall thickness

*) Annular gap fill material

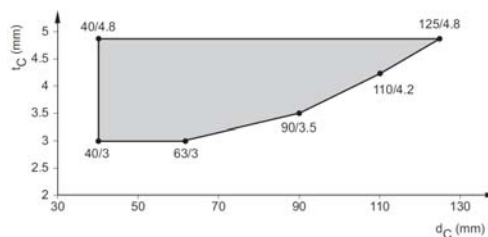
Gap with (mm)	Annular Gap Fill
0-15	Hilti Firestop Acrylic Sealant CFS-S ACR only with a depth > 25 mm on both sides of the floor
0-40	Hilti Firestop Acrylic Sealant CFS-S ACR on top side of floor only with depth > 25 mm, backfilled with mineral wool
0-40	Cementitious mortar acc. EN 998-2 group M10 over the entire thickness of the floor.

- Approval ETA-14/0085 of 23/04/2014
- Reaction to fire acc EN 13501-1
- Fire resistance test acc EN 1366-3
- Installation according to Hilti instructions

DESCRIPTION

Inside the floor there are one or more pipe junctions/manifolds into the central waste water pipe, where horizontal running minor pipes flow to. Those minor pipes have a U/C end configuration and can be installed in line on an unlimited amount. The CFS-C EL shall be installed only on the bottom part of the central waste water pipe.

**) The pipe wall thickness approved can be found in this graphic





CONTENTS

Plastic pipe junction in floors
(Manifold)

ID

WW-RF-PP-0172

FIRESTOP COLLAR ENDLESS

0172_01

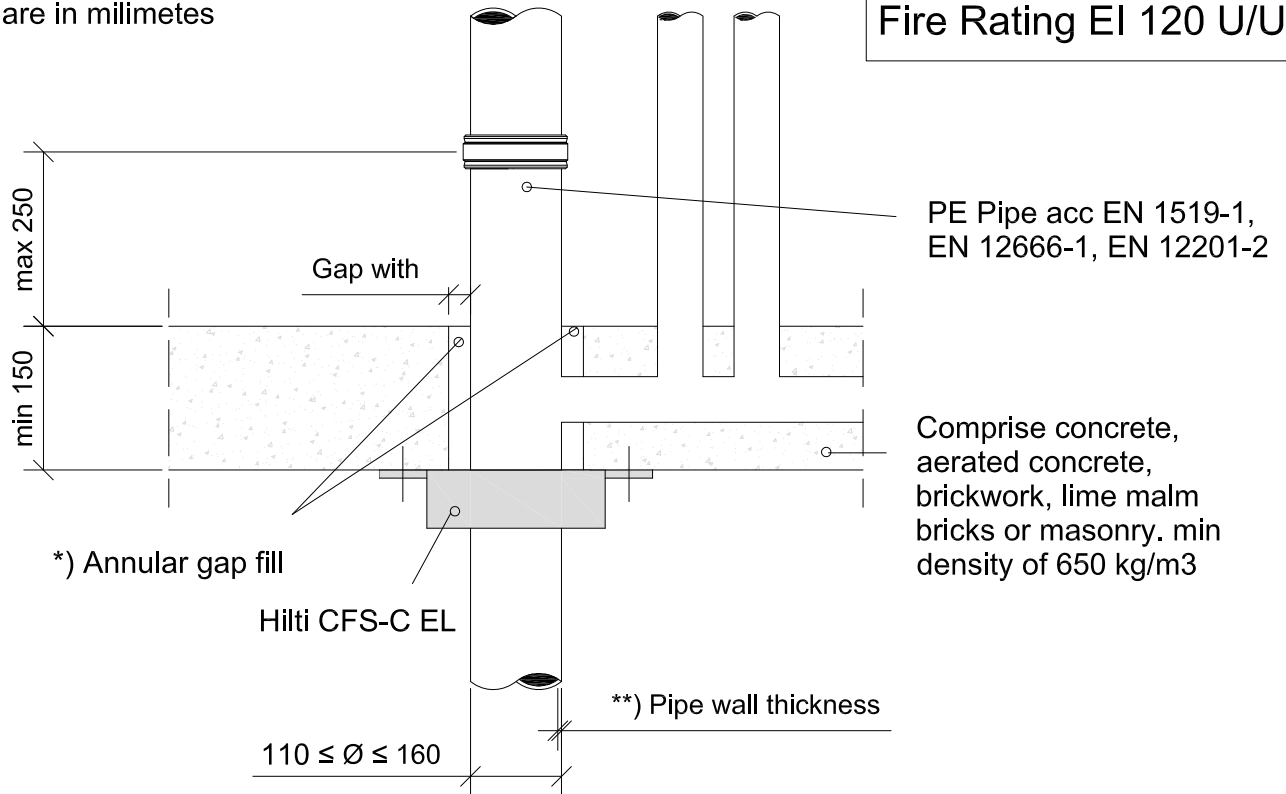
REV

00

No scale

All units are in millimetres

Fire Rating EI 120 U/U



*) Annular gap fill

Hilti CFS-C EL

**). Pipe wall thickness

$110 \leq \varnothing \leq 160$

*) Annular gap fill material

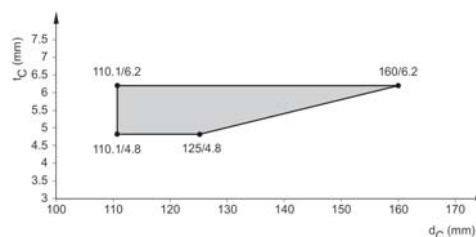
Gap with (mm)	Annular Gap Fill
0-15	Hilti Firestop Acrylic Sealant CFS-S ACR only with a depth > 25 mm on both sides of the floor
0-40	Hilti Firestop Acrylic Sealant CFS-S ACR on top side of floor only with depth > 25 mm, backfilled with mineral wool
0-40	Cementitious mortar acc. EN 998-2 group M10 over the entire thickness of the floor.

- Approval ETA-14/0085 of 23/04/2014
- Reaction to fire acc EN 13501-1
- Fire resistance test acc EN 1366-3
- Installation according to Hilti instructions

DESCRIPTION

Inside the floor there are one or more pipe junctions/manifolds into the central waste water pipe, where horizontal running minor pipes flow to. Those minor pipes have a U/C end configuration and can be installed in line on an unlimited amount. The CFS-C EL shall be installed only on the bottom part of the central waste water pipe.

**). The pipe wall thickness approved can be found in this graphic





CONTENTS

Plastic pipe junction in floors
(Manifold)

ID

WW-RF-PP-0177

FIRESTOP COLLAR ENDLESS

0177_01

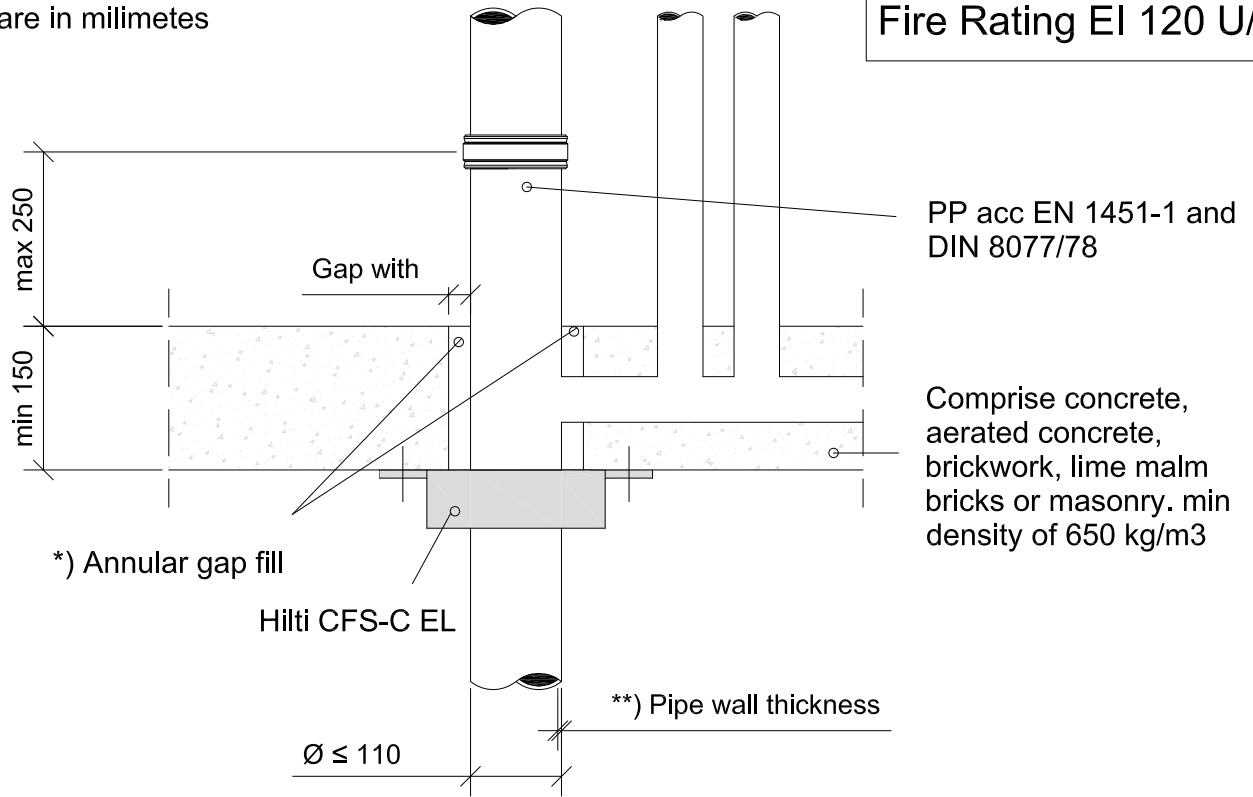
REV

00

No scale

All units are in milimetres

Fire Rating EI 120 U/U



PP acc EN 1451-1 and
DIN 8077/78

Comprise concrete,
aerated concrete,
brickwork, lime malm
bricks or masonry. min
density of 650 kg/m3

*) Annular gap fill

Hilti CFS-C EL

**) Pipe wall thickness

$\text{Ø} \leq 110$

*) Annular gap fill material

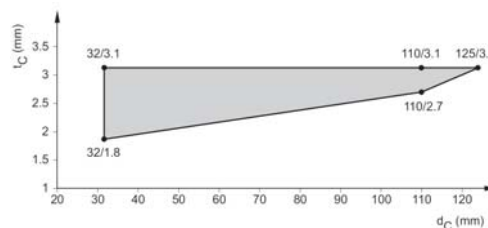
Gap with (mm)	Annular Gap Fill
0-15	Hilti Firestop Acrylic Sealant CFS-S ACR only with a depth > 25 mm on both sides of the floor
0-40	Hilti Firestop Acrylic Sealant CFS-S ACR on top side of floor only with depth > 25 mm, backfilled with mineral wool
0-40	Cementitious mortar acc. EN 998-2 group M10 over the entire thickness of the floor.

- Approval ETA-14/0085 of 23/04/2014
- Reaction to fire acc EN 13501-1
- Fire resistance test acc EN 1366-3
- Installation according to Hilti instructions

DESCRIPTION

Inside the floor there are one or more pipe junctions/manifolds into the central waste water pipe, where horizontal running minor pipes flow to. Those minor pipes have a U/C end configuration and can be installed in line on an unlimited amount. The CFS-C EL shall be installed only on the bottom part of the central waste water pipe.

**) The pipe wall thickness approved can be found in this graphic





CONTENTS

Plastic pipe junction in floors
(Manifold)

ID

WW-RF-PP-0178

FIRESTOP COLLAR ENDLESS

0178_01

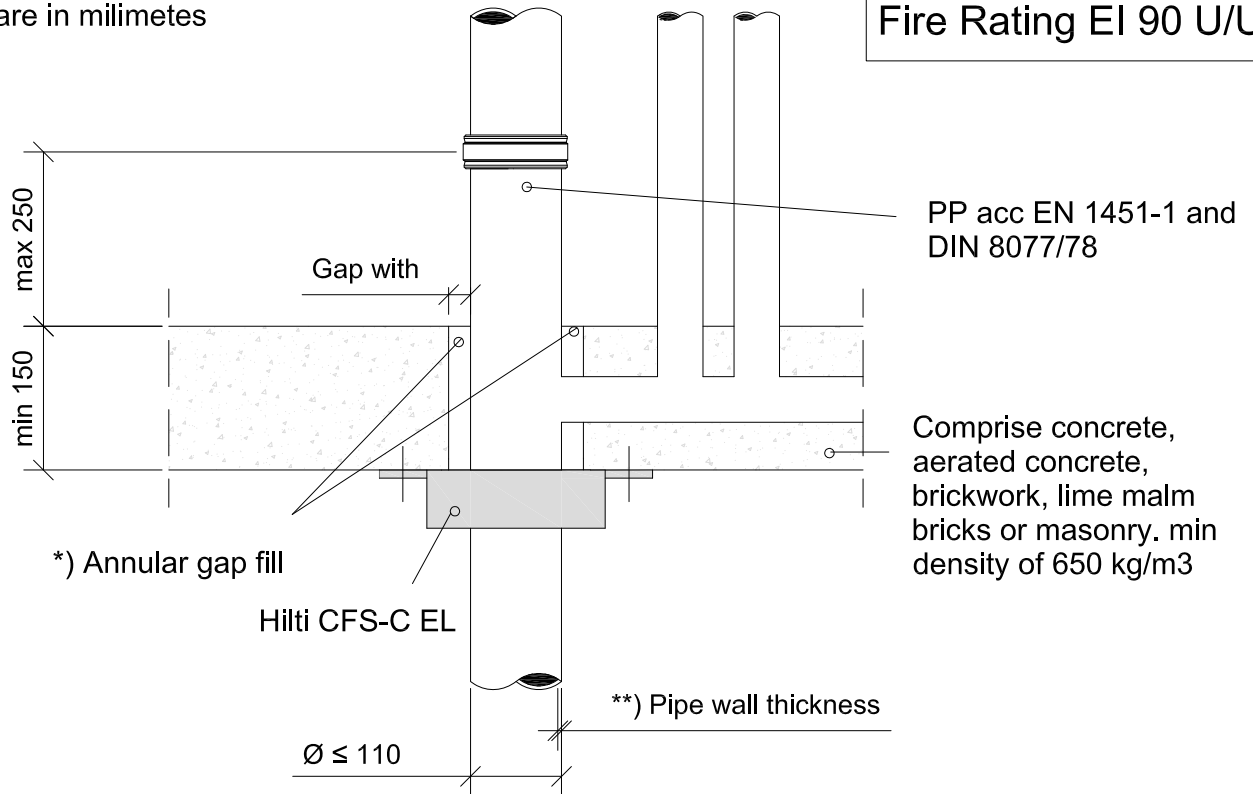
REV

00

No scale

All units are in millimetres

Fire Rating EI 90 U/U



*) Annular gap fill

Hilti CFS-C EL

**) Pipe wall thickness

$\varnothing \le 110$

*) Annular gap fill material

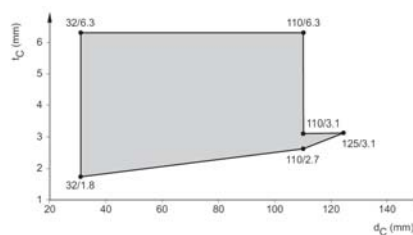
Gap with (mm)	Annular Gap Fill
0-15	Hilti Firestop Acrylic Sealant CFS-S ACR only with a depth > 25 mm on both sides of the floor
0-40	Hilti Firestop Acrylic Sealant CFS-S ACR on top side of floor only with depth > 25 mm, backfilled with mineral wool
0-40	Cementitious mortar acc. EN 998-2 group M10 over the entire thickness of the floor.

- Approval ETA-14/0085 of 23/04/2014
- Reaction to fire acc EN 13501-1
- Fire resistance test acc EN 1366-3
- Installation according to Hilti instructions

DESCRIPTION

Inside the floor there are one or more pipe junctions/manifolds into the central waste water pipe, where horizontal running minor pipes flow to. Those minor pipes have a U/C end configuration and can be installed in line on an unlimited amount. The CFS-C EL shall be installed only on the bottom part of the central waste water pipe.

**) The pipe wall thickness approved can be found in this graphic





CONTENTS

Plastic pipe junction in floors
(Manifold)

ID

WW-RF-PP-0179

FIRESTOP COLLAR ENDLESS

0179_01

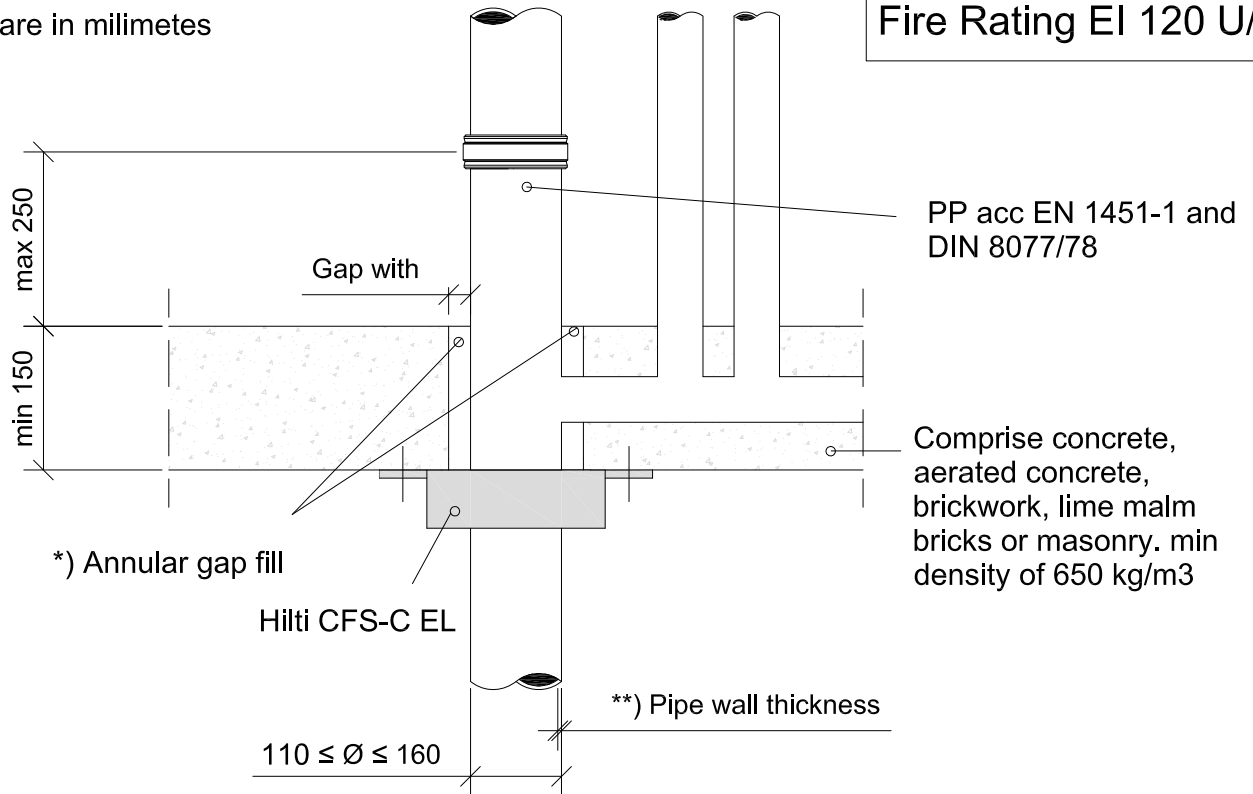
REV

00

No scale

All units are in millimetres

Fire Rating EI 120 U/U



***)** Annular gap fill

Hilti CFS-C EL

****)** Pipe wall thickness

$110 \leq \varnothing \leq 160$

***)** Annular gap fill material

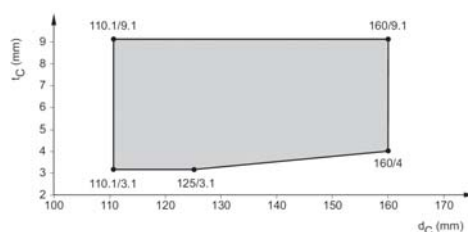
Gap with (mm)	Annular Gap Fill
0-15	Hilti Firestop Acrylic Sealant CFS-S ACR only with a depth > 25 mm on both sides of the floor
0-40	Hilti Firestop Acrylic Sealant CFS-S ACR on top side of floor only with depth > 25 mm, backfilled with mineral wool
0-40	Cementitious mortar acc. EN 998-2 group M10 over the entire thickness of the floor.

- Approval ETA-14/0085 of 23/04/2014
- Reaction to fire acc EN 13501-1
- Fire resistance test acc EN 1366-3
- Installation according to Hilti instructions

DESCRIPTION

Inside the floor there are one or more pipe junctions/manifolds into the central waste water pipe, where horizontal running minor pipes flow to. Those minor pipes have a U/C end configuration and can be installed in line on an unlimited amount. The CFS-C EL shall be installed only on the bottom part of the central waste water pipe.

****)** The pipe wall thickness approved can be found in this graphic





CONTENTS

Plastic pipe junction in floors
(Manifold)

ID

WW-RF-PP-0180

FIRESTOP COLLAR ENDLESS

0180_01

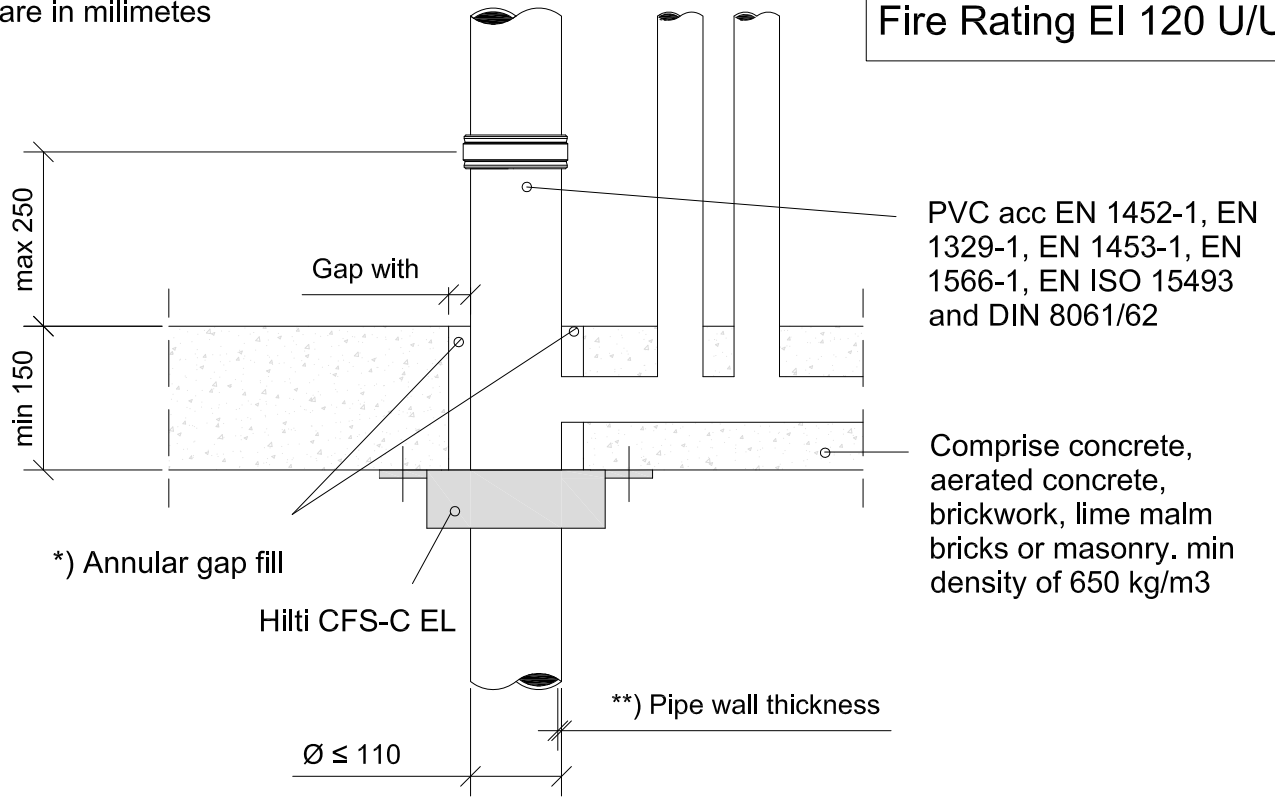
REV

00

No scale

All units are in millimetres

Fire Rating EI 120 U/U



*) Annular gap fill

Hilti CFS-C EL

***) Pipe wall thickness

Ø ≤ 110

*) Annular gap fill material

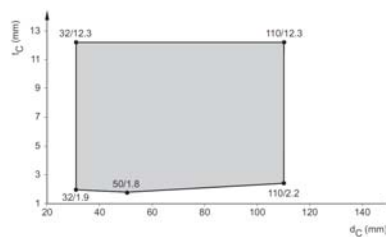
Gap with (mm)	Annular Gap Fill
0-15	Hilti Firestop Acrylic Sealant CFS-S ACR only with a depth > 25 mm on both sides of the floor
0-40	Hilti Firestop Acrylic Sealant CFS-S ACR on top side of floor only with depth > 25 mm, backfilled with mineral wool
0-40	Cementitious mortar acc. EN 998-2 group M10 over the entire thickness of the floor.

- Approval ETA-14/0085 of 23/04/2014
- Reaction to fire acc EN 13501-1
- Fire resistance test acc EN 1366-3
- Installation according to Hilti instructions

DESCRIPTION

Inside the floor there are one or more pipe junctions/manifolds into the central waste water pipe, where horizontal running minor pipes flow to. Those minor pipes have a U/C end configuration and can be installed in line on an unlimited amount. The CFS-C EL shall be installed only on the bottom part of the central waste water pipe.

***) The pipe wall thickness approved can be found in this graphic





CONTENTS

Plastic pipe junction in floors
(Manifold)

ID

WW-RF-PP-0181

FIRESTOP COLLAR ENDLESS

0181_01

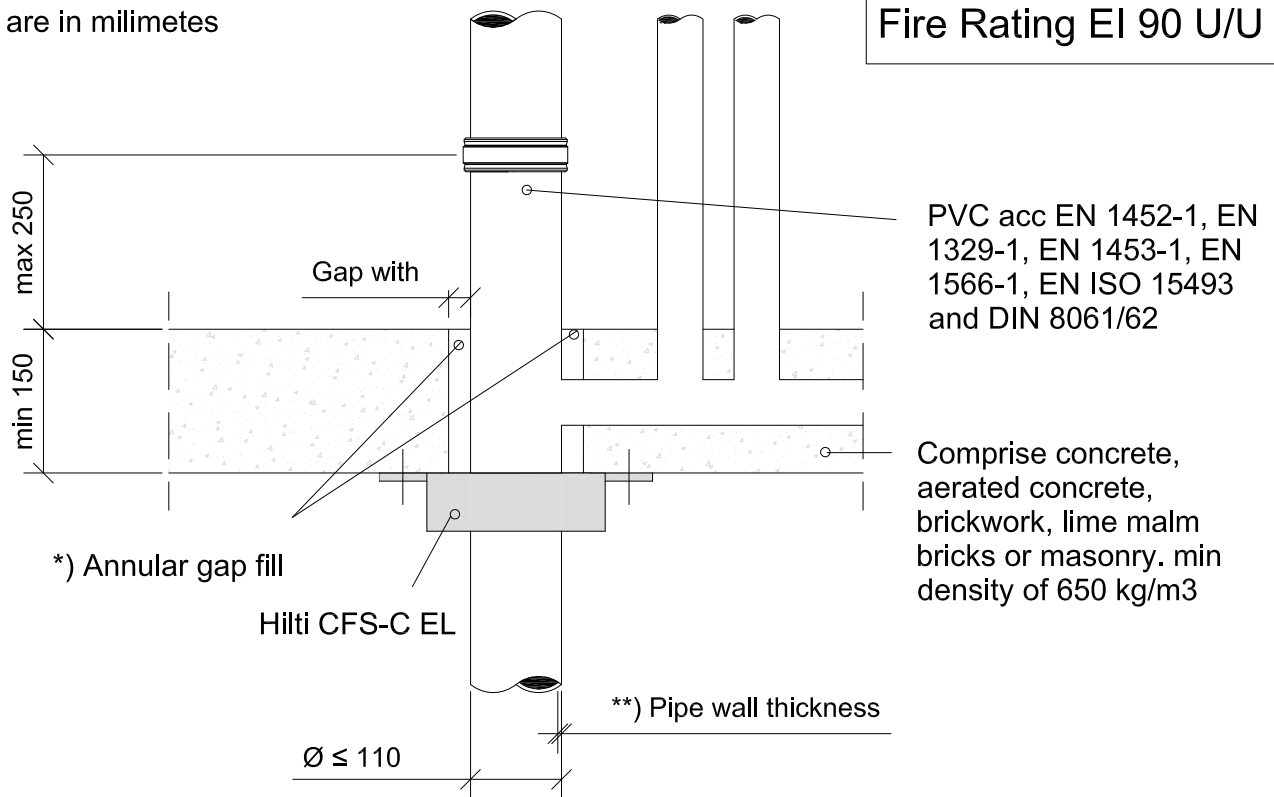
REV

00

No scale

All units are in millimetres

Fire Rating EI 90 U/U



PVC acc EN 1452-1, EN 1329-1, EN 1453-1, EN 1566-1, EN ISO 15493 and DIN 8061/62

Comprise concrete, aerated concrete, brickwork, lime malm bricks or masonry. min density of 650 kg/m3

*) Annular gap fill

Hilti CFS-C EL

**) Pipe wall thickness

$\varnothing \le 110$

*) Annular gap fill material

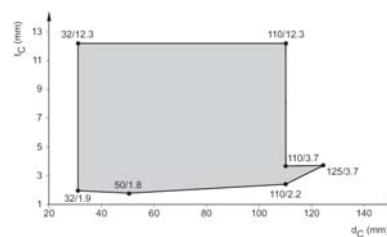
Gap with (mm)	Annular Gap Fill
0-15	Hilti Firestop Acrylic Sealant CFS-S ACR only with a depth > 25 mm on both sides of the floor
0-40	Hilti Firestop Acrylic Sealant CFS-S ACR on top side of floor only with depth > 25 mm, backfilled with mineral wool
0-40	Cementitious mortar acc. EN 998-2 group M10 over the entire thickness of the floor.

- Approval ETA-14/0085 of 23/04/2014
- Reaction to fire acc EN 13501-1
- Fire resistance test acc EN 1366-3
- Installation according to Hilti instructions

DESCRIPTION

Inside the floor there are one or more pipe junctions/manifolds into the central waste water pipe, where horizontal running minor pipes flow to. Those minor pipes have a U/C end configuration and can be installed in line on an unlimited amount. The CFS-C EL shall be installed only on the bottom part of the central waste water pipe.

**) The pipe wall thickness approved can be found in this graphic





CONTENTS

Plastic pipe junction in floors
(Manifold)

ID

WW-RF-PP-0182

FIRESTOP COLLAR ENDLESS

0182_01

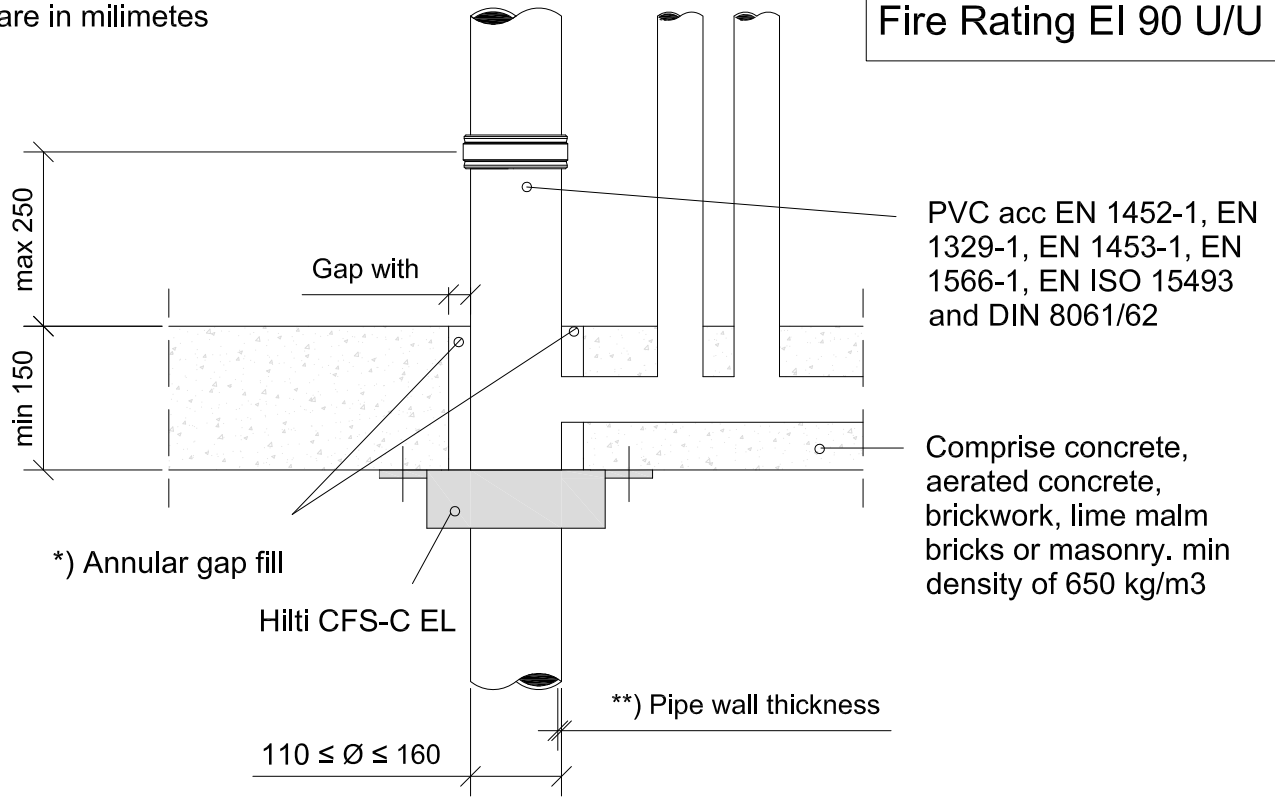
REV

00

No scale

All units are in milimetres

Fire Rating EI 90 U/U



*) Annular gap fill

Hilti CFS-C EL

**) Pipe wall thickness

$110 \leq \varnothing \leq 160$

PVC acc EN 1452-1, EN 1329-1, EN 1453-1, EN 1566-1, EN ISO 15493 and DIN 8061/62

Comprise concrete, aerated concrete, brickwork, lime malm bricks or masonry. min density of 650 kg/m³

*) Annular gap fill material

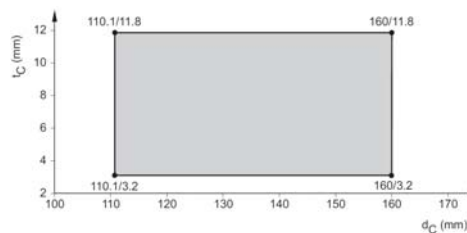
Gap with (mm)	Annular Gap Fill
0-15	Hilti Firestop Acrylic Sealant CFS-S ACR only with a depth > 25 mm on both sides of the floor
0-40	Hilti Firestop Acrylic Sealant CFS-S ACR on top side of floor only with depth > 25 mm, backfilled with mineral wool
0-40	Cementitious mortar acc. EN 998-2 group M10 over the entire thickness of the floor.

- Approval ETA-14/0085 of 23/04/2014
- Reaction to fire acc EN 13501-1
- Fire resistance test acc EN 1366-3
- Installation according to Hilti instructions

DESCRIPTION

Inside the floor there are one or more pipe junctions/manifolds into the central waste water pipe, where horizontal running minor pipes flow to. Those minor pipes have a U/C end configuration and can be installed in line on an unlimited amount. The CFS-C EL shall be installed only on the bottom part of the central waste water pipe.

**) The pipe wall thickness approved can be found in this graphic





CONTENTS

Multiple plastic pipe in one collar
in a rigid floor

ID

WW-RF-PP-0185

FIRESTOP COLLAR ENDLESS

0185_01

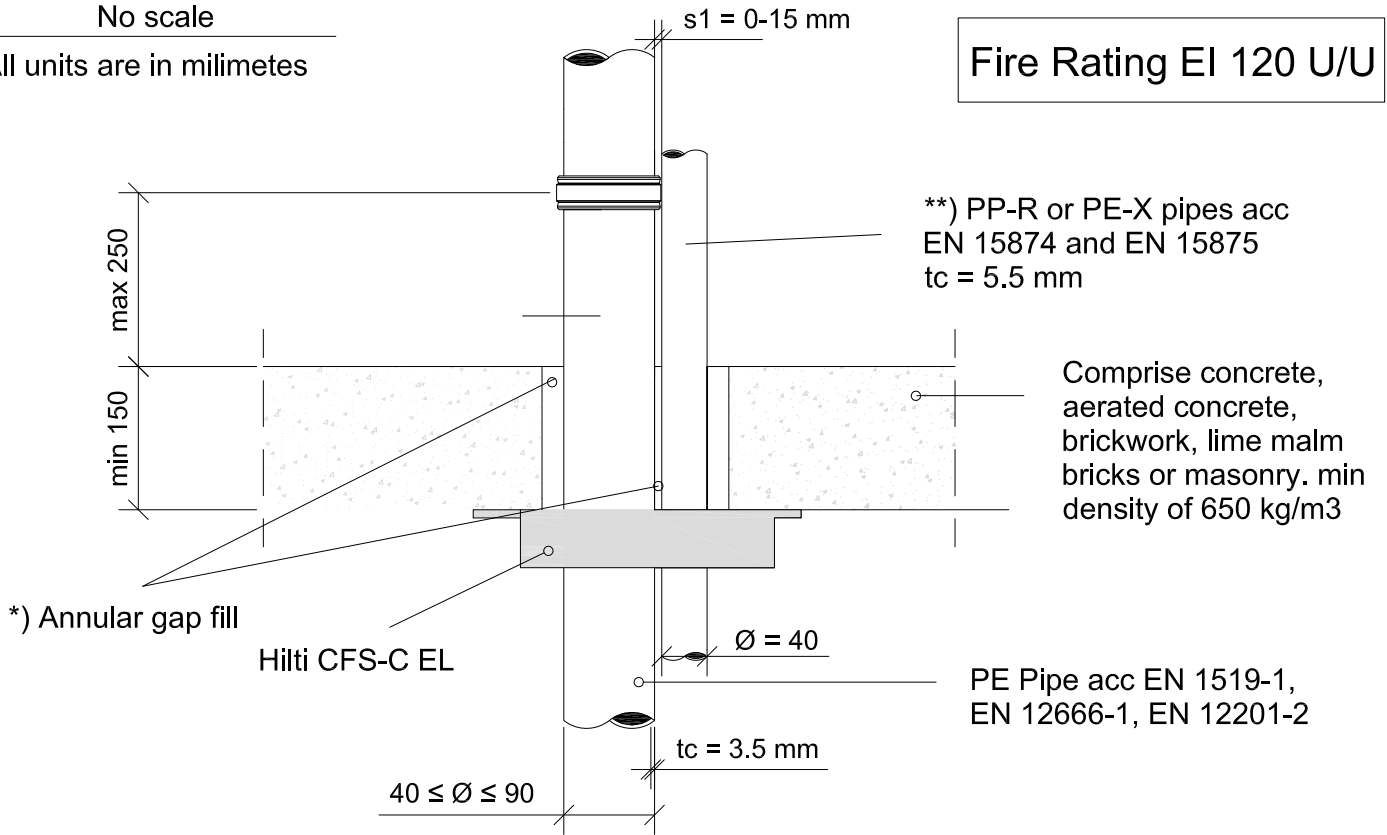
REV

00

No scale

All units are in millimetres

Fire Rating EI 120 U/U



**) PP-R or PE-X pipes acc
EN 15874 and EN 15875
tc = 5.5 mm

Comprise concrete,
aerated concrete,
brickwork, lime malm
bricks or masonry. min
density of 650 kg/m³

*) Annular gap fill

Hilti CFS-C EL

PE Pipe acc EN 1519-1,
EN 12666-1, EN 12201-2

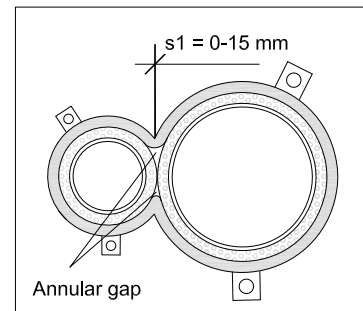
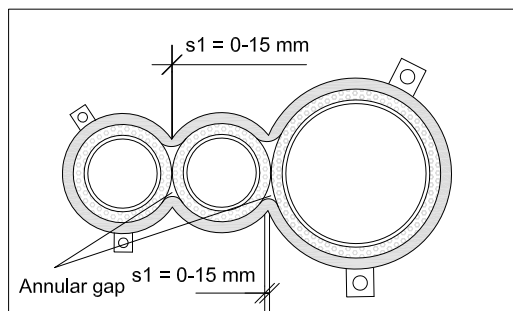
- Approval ETA-14/0085 of 23/04/2014
- Reaction to fire acc EN 13501-1
- Fire resistance test acc EN 1366-3
- Installation according to Hilti instructions

*) Annular gap fill material

Gap with (mm)	Annular Gap Fill
0-15	Hilti Firestop Acrylic Sealant CFS-S ACR only with a depth > 25 mm on both sides of the floor
0-40	Hilti Firestop Acrylic Sealant CFS-S ACR on top side of floor only with depth > 25 mm, backfilled with mineral wool
0-40	Cementitious mortar acc. EN 998-2 group M10 over the entire thickness of the floor.

**) PP-R or PE-X

Pipes types	Aquaterm fusiolen (aquaterm green pipe S) Rehau Rautitan flex.
Elastomeric foamed thermal insulation	LS or CS with minimum length (LD > 250 mm) on both sides of the wall
Elastomeric foamed thermal insulation thickness	9 mm < td < 32 mm





CONTENTS

Multiple plastic pipe in one collar
in a rigid floor

ID

WW-RF-PP-0186

FIRESTOP COLLAR ENDLESS

0186_01

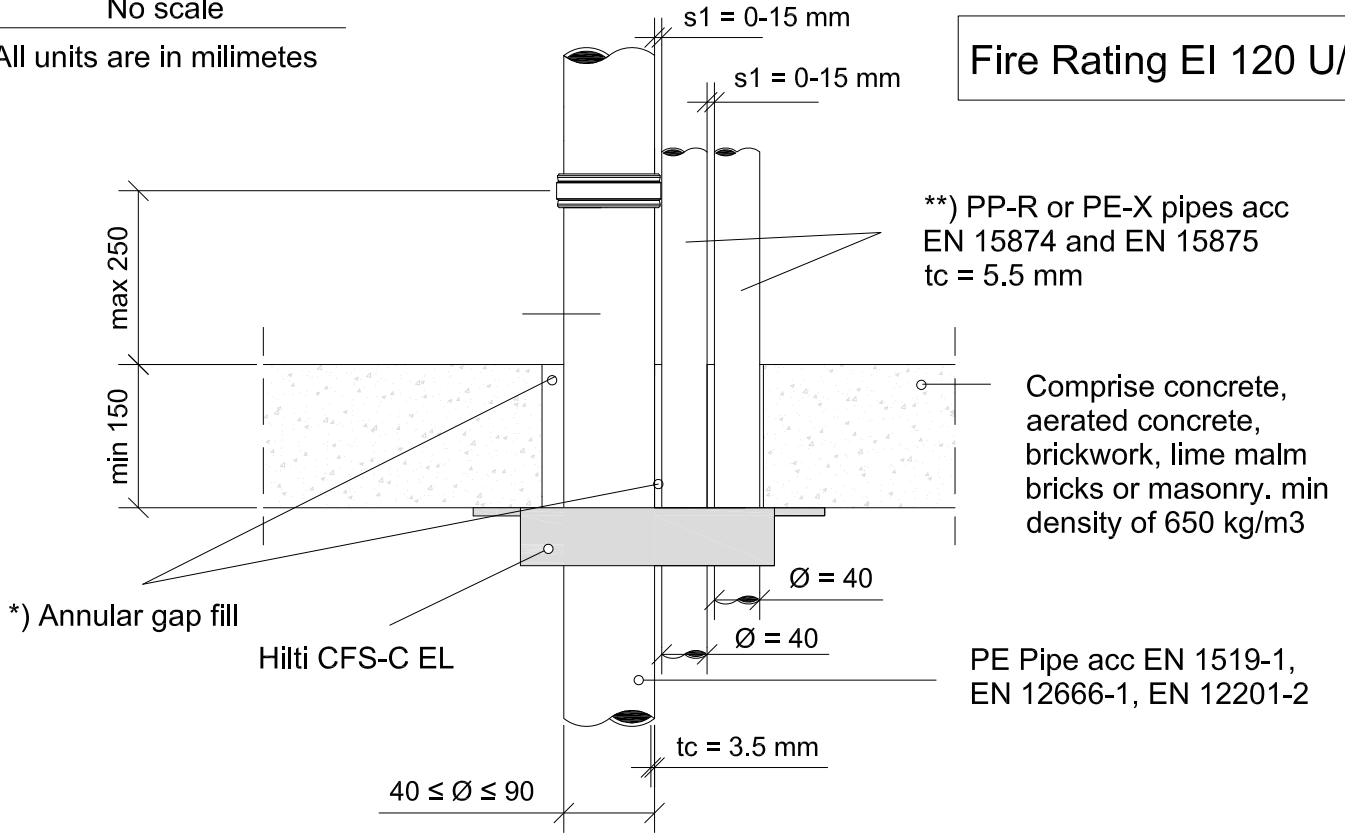
REV

00

No scale

All units are in millimetres

Fire Rating EI 120 U/U



**) PP-R or PE-X pipes acc
EN 15874 and EN 15875
tc = 5.5 mm

Comprise concrete,
aerated concrete,
brickwork, lime malm
bricks or masonry. min
density of 650 kg/m³

PE Pipe acc EN 1519-1,
EN 12666-1, EN 12201-2

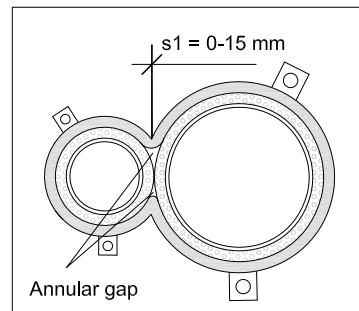
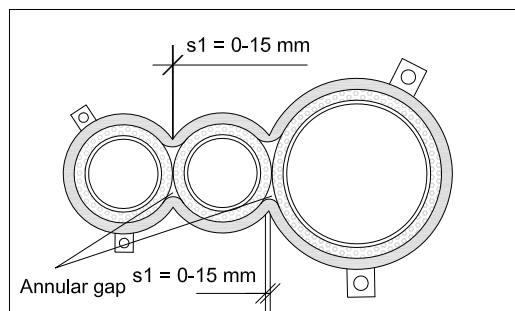
- Approval ETA-14/0085 of 23/04/2014
- Reaction to fire acc EN 13501-1
- Fire resistance test acc EN 1366-3
- Installation according to Hilti instructions

*) Annular gap fill material

**) PP-R or PE-X

Gap with (mm)	Annular Gap Fill
0-15	Hilti Firestop Acrylic Sealant CFS-S ACR only with a depth > 25 mm on both sides of the floor
0-40	Hilti Firestop Acrylic Sealant CFS-S ACR on top side of floor only with depth > 25 mm, backfilled with mineral wool
0-40	Cementious mortar acc. EN 998-2 group M10 over the entire thickness of the floor.

Pipes types	Aquaterm fusiolen (aquaterm green pipe S) Rehau Rautitan flex.
Elastomeric foamed thermal insulation	LS or CS with minimum length (LD > 250 mm) on both sides of the wall
Elastomeric foamed thermal insulation thickness	9 mm < td < 32 mm





CONTENTS

Zero distance to other system,
Conlit or CFS-B

ID

WW-RF-PP-0202

FIRESTOP COLLAR ENDLESS

0202_01

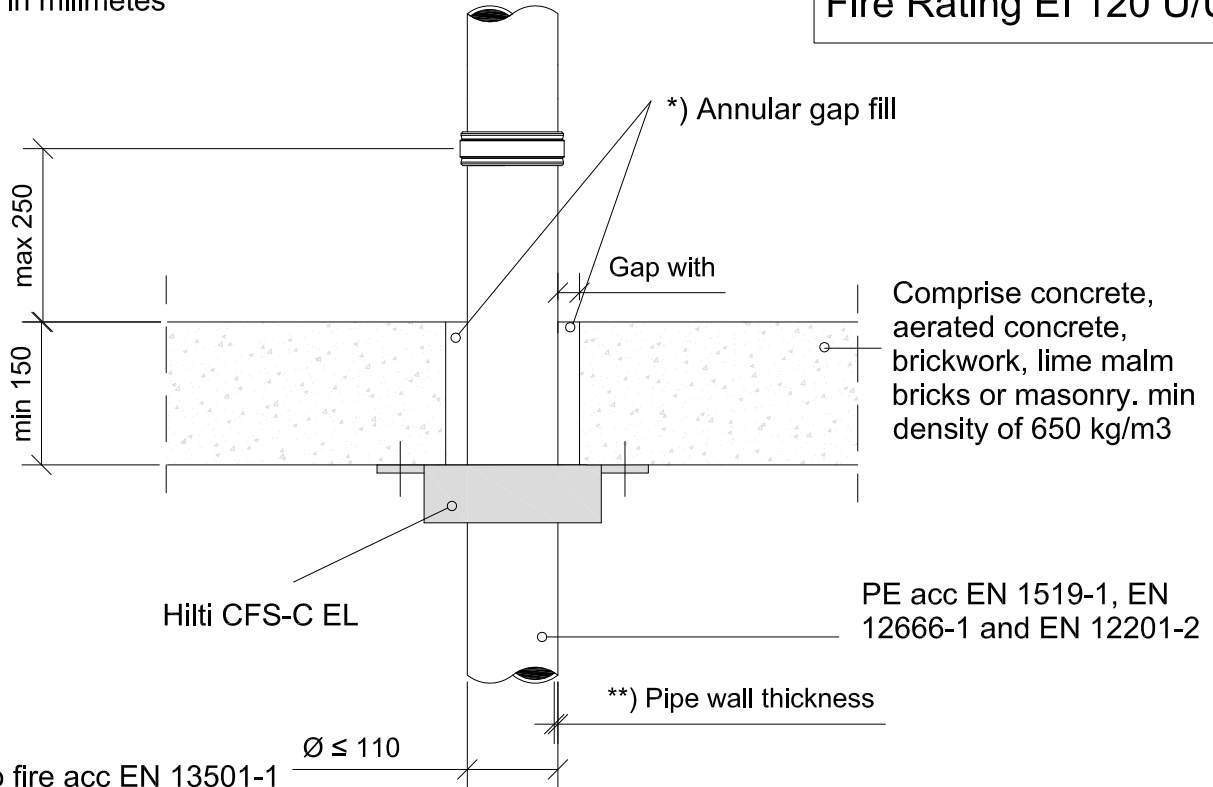
REV

00

No scale

All units are in millimetres

Fire Rating EI 120 U/U



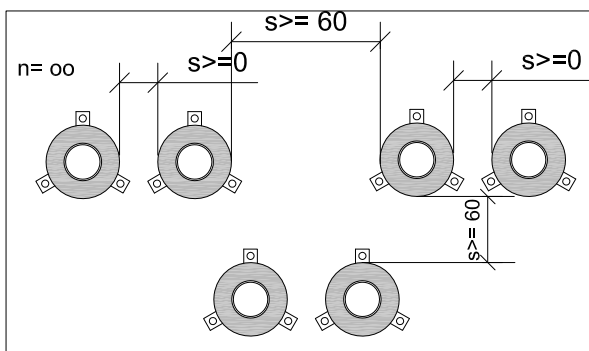
- Reaction to fire acc EN 13501-1
- Fire resistance test acc EN 1366-3
- Installation according to Hilti instructions
- Approval ETA-14/0085 of 23/04/2014

Approved pipes and insulation to be used with Conlit 150, Rockwool 800 and CFS-B

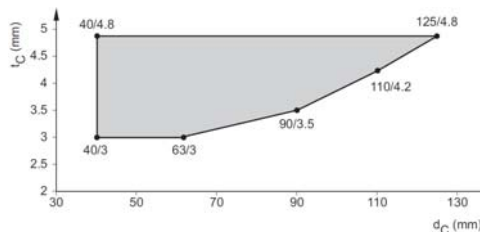
Pipes types	Copper, unalloyed steel, alloyed steel, cast iron, stainless steel
Pipe outside diameter	dm < 42 mm
Pipe thickness	1.2 mm < tm < 14.2 mm
Elastomeric foamed thermal insulation	CS with minimum length (ld>250mm) on both sides of the wall.
Elastomeric foamed thermal insulation thickness	9 mm < De < 35 mm
Incombustible thermal insulation, based on mineral wool (combustibility class A1 or A2 in acc EN 13501	- Conlit 150 inside the wall/floor only with Insulation thickness (td>19 mm) - Rockwool 800, covering the metal pipe outside the wall/floor with Insulation thickness td> 20 mm

*) Annular gap fill material

Gap with (mm)	Annular Gap Fill
0-15	Hilti Firestop Acrylic Sealant CFS-S ACR only with a depth > 25 mm on both sides of the floor
0-40	Hilti Firestop Acrylic Sealant CFS-S ACR on top side of floor only with depth > 25 mm, backfilled with mineral wool
0-40	Cementitious mortar acc. EN 998-2 group M10 over the entire thickness of the floor.



**') The pipe wall thickness approved can be found in this graphic





CONTENTS

Zero distance to other system,
Conlit or CFS-B

ID

WW-RF-PP-0204

FIRESTOP COLLAR ENDLESS

0204_01

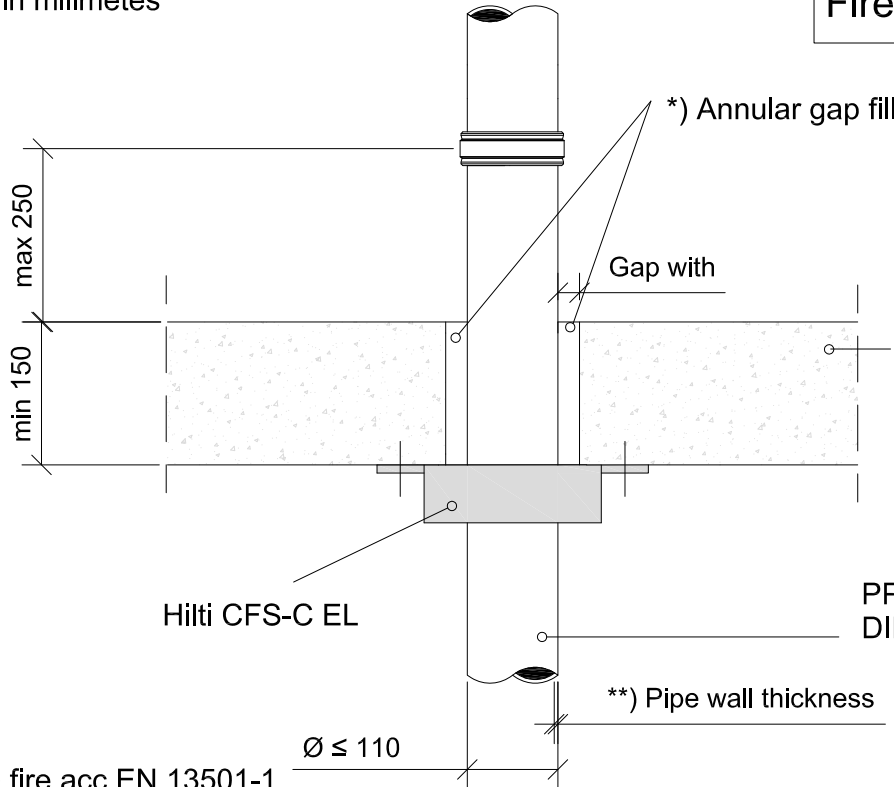
REV

00

No scale

All units are in millimetres

Fire Rating EI 120 U/U



Comprise concrete,
aerated concrete,
brickwork, lime malm
bricks or masonry.
min density of 650
kg/m³

PP acc EN 1451-1 and
DIN 8077/78

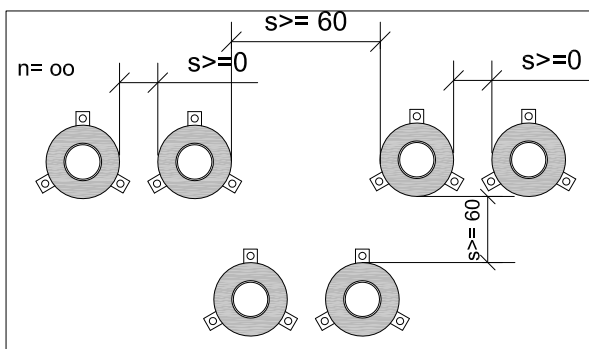
- Reaction to fire acc EN 13501-1
- Fire resistance test acc EN 1366-3
- Installation according to Hilti instructions
- Approval ETA-14/0085 of 23/04/2014

Approved pipes and insulation to be used with Conlit 150, Rockwool 800 and CFS-B

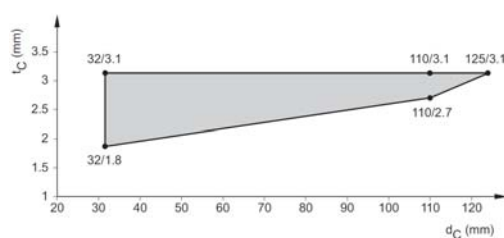
Pipes types	Copper, unalloyed steel, alloyed steel, cast iron, stainless steel
Pipe outside diameter	dm < 42 mm
Pipe thickness	1.2 mm < tm < 14.2 mm
Elastomeric foamed thermal insulation	CS with minimum length (ld>250mm) on both sides of the wall.
Elastomeric foamed thermal insulation thickness	9 mm < De < 35 mm
Incombustible thermal insulation, based on mineral wool (combustibility class A1 or A2 in acc EN 13501	- Conlit 150 inside the wall/floor only with Insulation thickness (td>19 mm) - Rockwool 800, covering the metal pipe outside the wall/floor with Insulation thickness td> 20 mm

*) Annular gap fill material

Gap with (mm)	Annular Gap Fill
0-15	Hilti Firestop Acrylic Sealant CFS-S ACR only with a depth > 25 mm on both sides of the floor
0-40	Hilti Firestop Acrylic Sealant CFS-S ACR on top side of floor only with depth > 25 mm, backfilled with mineral wool
0-40	Cementitious mortar acc. EN 998-2 group M10 over the entire thickness of the floor.



**) The pipe wall thickness approved can be found in this graphic





CONTENTS

Zero distance to other system,
Conlit or CFS-B

ID

WW-RF-PP-0206

FIRESTOP COLLAR ENDLESS

0206_01

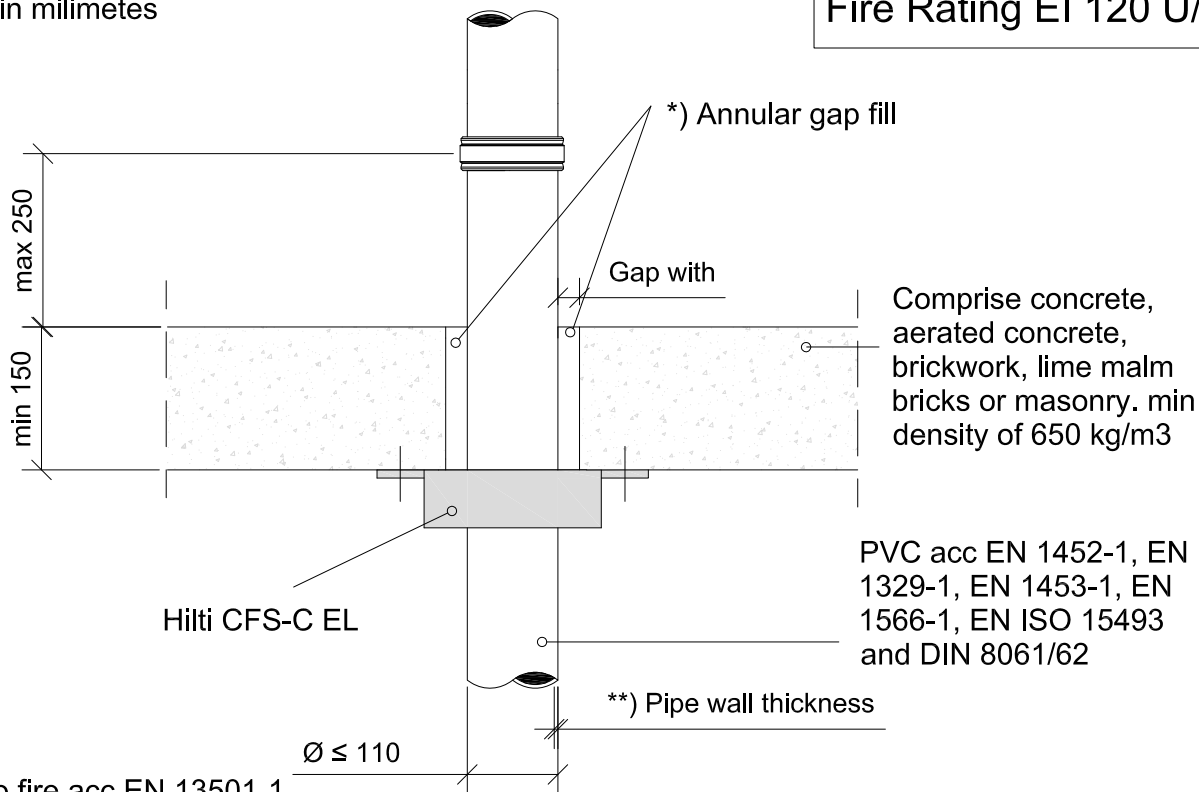
REV

00

No scale

All units are in millimetres

Fire Rating EI 120 U/U



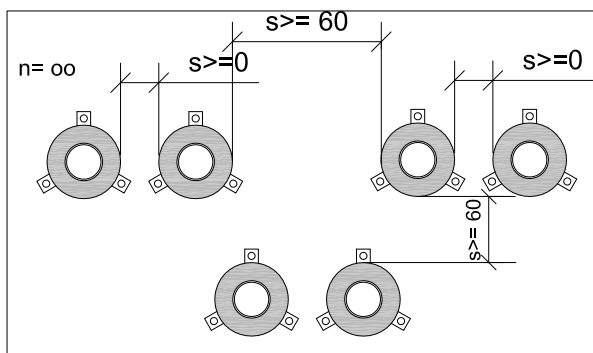
- Reaction to fire acc EN 13501-1
- Fire resistance test acc EN 1366-3
- Installation according to Hilti instructions
- Approval ETA-14/0085 of 23/04/2014

Approved pipes and insulation to be used with Conlit 150, Rockwool 800 and CFS-B

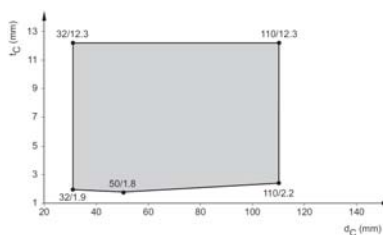
Pipes types	Copper, unalloyed steel, alloyed steel, cast iron, stainless steel
Pipe outside diameter	dm < 42 mm
Pipe thickness	1.2 mm < tm < 14.2 mm
Elastomeric foamed thermal insulation	CS with minimum length (ld>250mm) on both sides of the wall.
Elastomeric foamed thermal insulation thickness	9 mm < De < 35 mm
Incombustible thermal insulation, based on mineral wool (combustibility class A1 or A2 in acc EN 13501	- Conlit 150 inside the wall/floor only with Insulation thickness (td>19 mm) - Rockwool 800, covering the metal pipe outside the wall/floor with Insulation thickness td> 20 mm

*) Annular gap fill material

Gap with (mm)	Annular Gap Fill
0-15	Hilti Firestop Acrylic Sealant CFS-S ACR only with a depth > 25 mm on both sides of the floor
0-40	Hilti Firestop Acrylic Sealant CFS-S ACR on top side of floor only with depth > 25 mm, backfilled with mineral wool
0-40	Cementitious mortar acc. EN 998-2 group M10 over the entire thickness of the floor.



**) The pipe wall thickness approved can be found in this graphic





CONTENTS

Zero distance to other system

ID

WW-RF-PP-0207

FIRESTOP COLLAR ENDLESS

0207_01

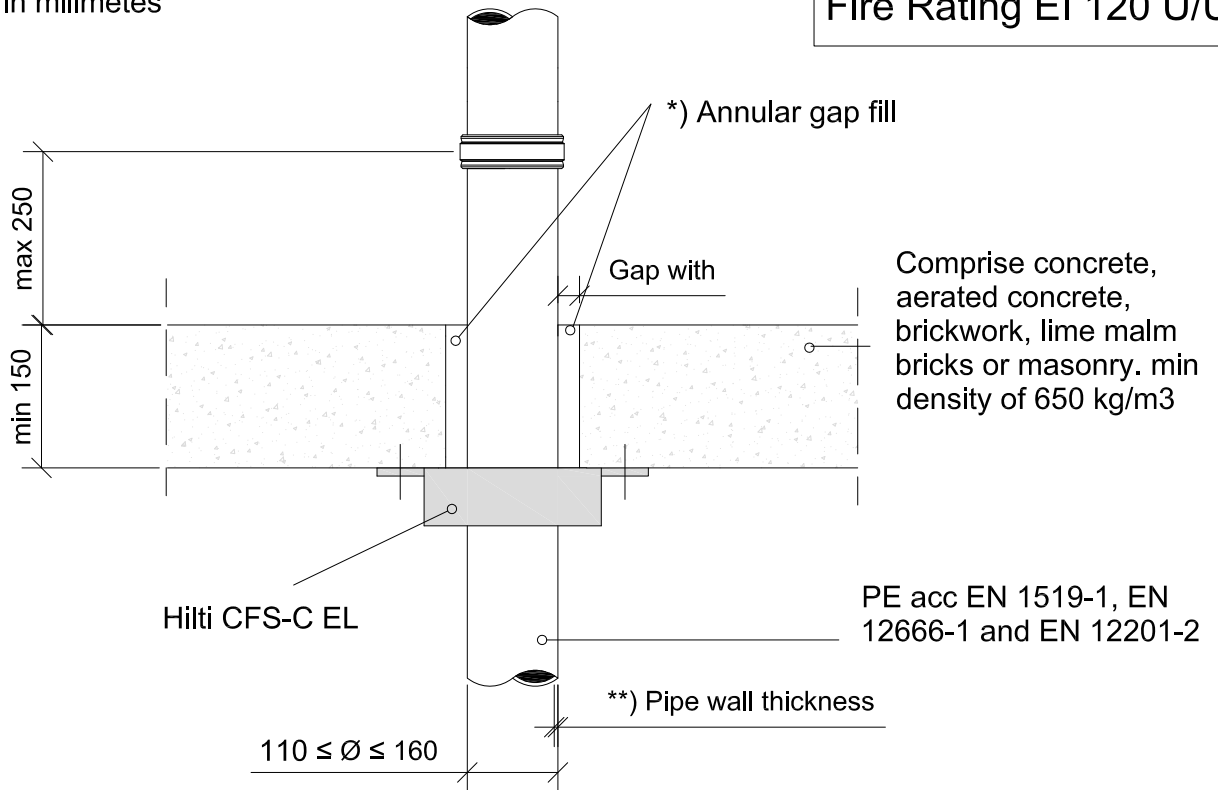
REV

00

No scale

All units are in millimetres

Fire Rating EI 120 U/U

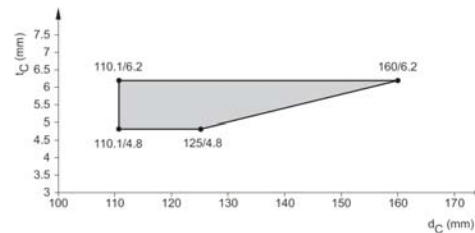
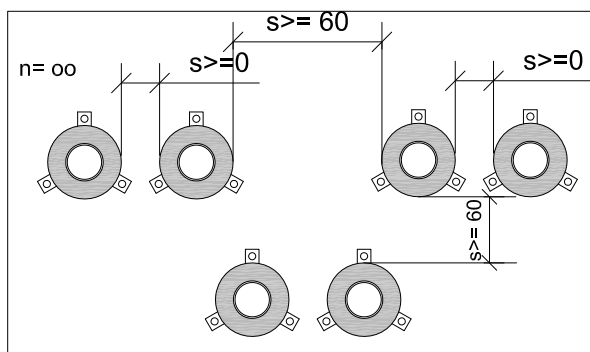


*) Annular gap fill material

Gap with (mm)	Annular Gap Fill
0-15	Hilti Firestop Acrylic Sealant CFS-S ACR only with a depth > 25 mm on both sides of the floor
0-40	Hilti Firestop Acrylic Sealant CFS-S ACR on top side of floor only with depth > 25 mm, backfilled with mineral wool
0-40	Cementious mortar acc. EN 998-2 group M10 over the entire thickness of the floor.

- Approval ETA-14/0085 of 23/04/2014
- Reaction to fire acc EN 13501-1
- Fire resistance test acc EN 1366-3
- Installation according to Hilti instructions

***) The pipe wall thickness approved can be found in this graphic





CONTENTS

Zero distance to other system

ID

WW-RF-PP-0210

FIRESTOP COLLAR ENDLESS

0210_01

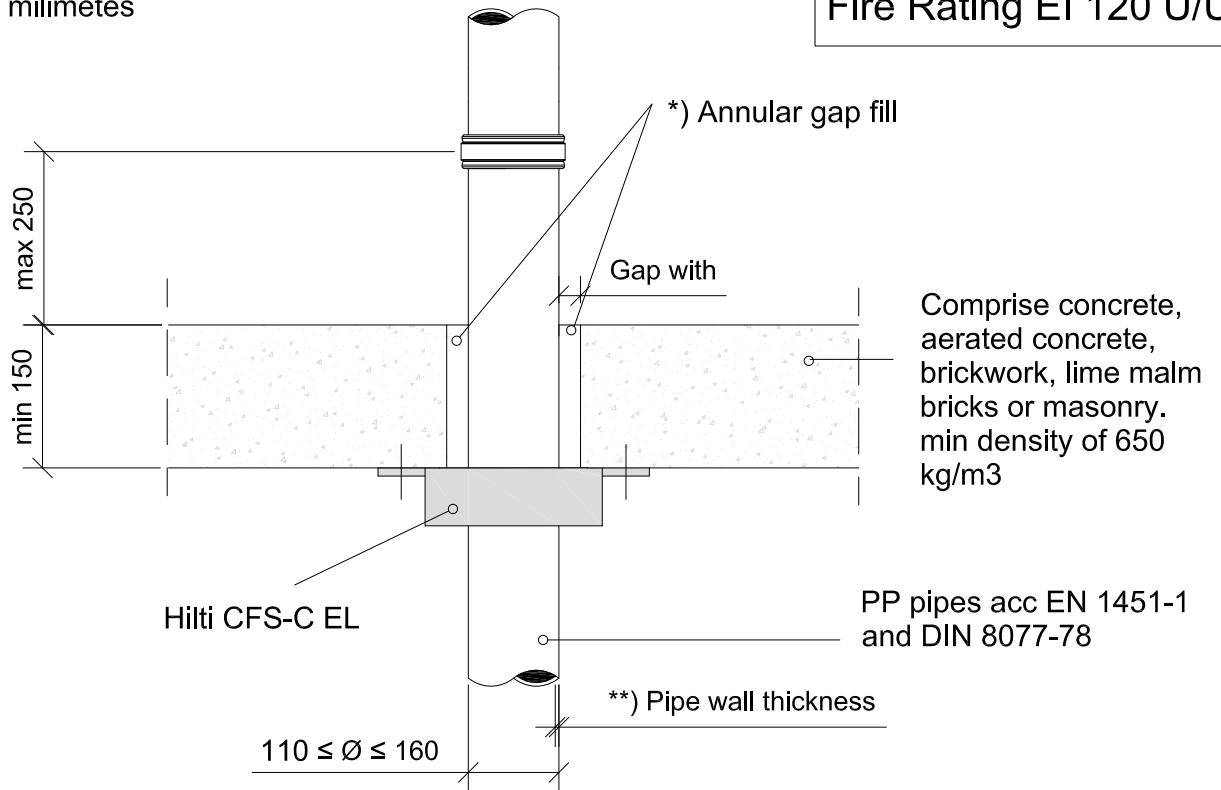
REV

00

No scale

All units are in millimetres

Fire Rating EI 120 U/U



Comprise concrete, aerated concrete, brickwork, lime malm bricks or masonry. min density of 650 kg/m³

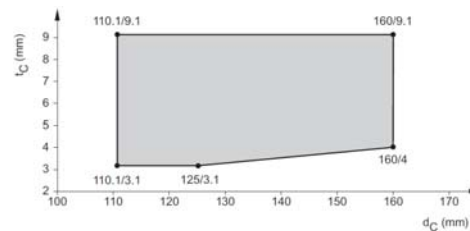
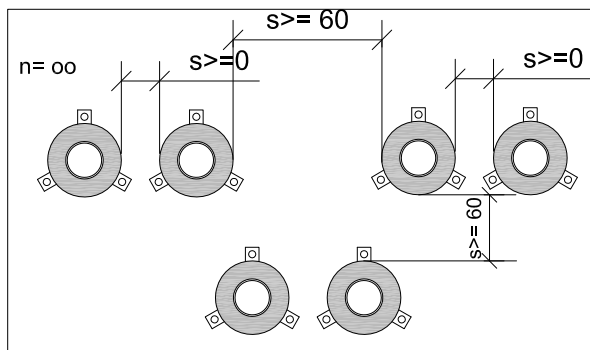
PP pipes acc EN 1451-1 and DIN 8077-78

*) Annular gap fill material

Gap with (mm)	Annular Gap Fill
0-15	Hilti Firestop Acrylic Sealant CFS-S ACR only with a depth > 25 mm on both sides of the floor
0-40	Hilti Firestop Acrylic Sealant CFS-S ACR on top side of floor only with depth > 25 mm, backfilled with mineral wool
0-40	Cementious mortar acc. EN 998-2 group M10 over the entire thickness of the floor

- Approval ETA-14/0085 of 23/04/2014
- Reaction to fire acc EN 13501-1
- Fire resistance test acc EN 1366-3
- Installation according to Hilti instructions

**) The pipe wall thickness approved can be found in this graphic





CONTENTS

Zero distance to CFS-B

ID

WW-RF-PP-0211

FIRESTOP COLLAR ENDLESS

0211_01

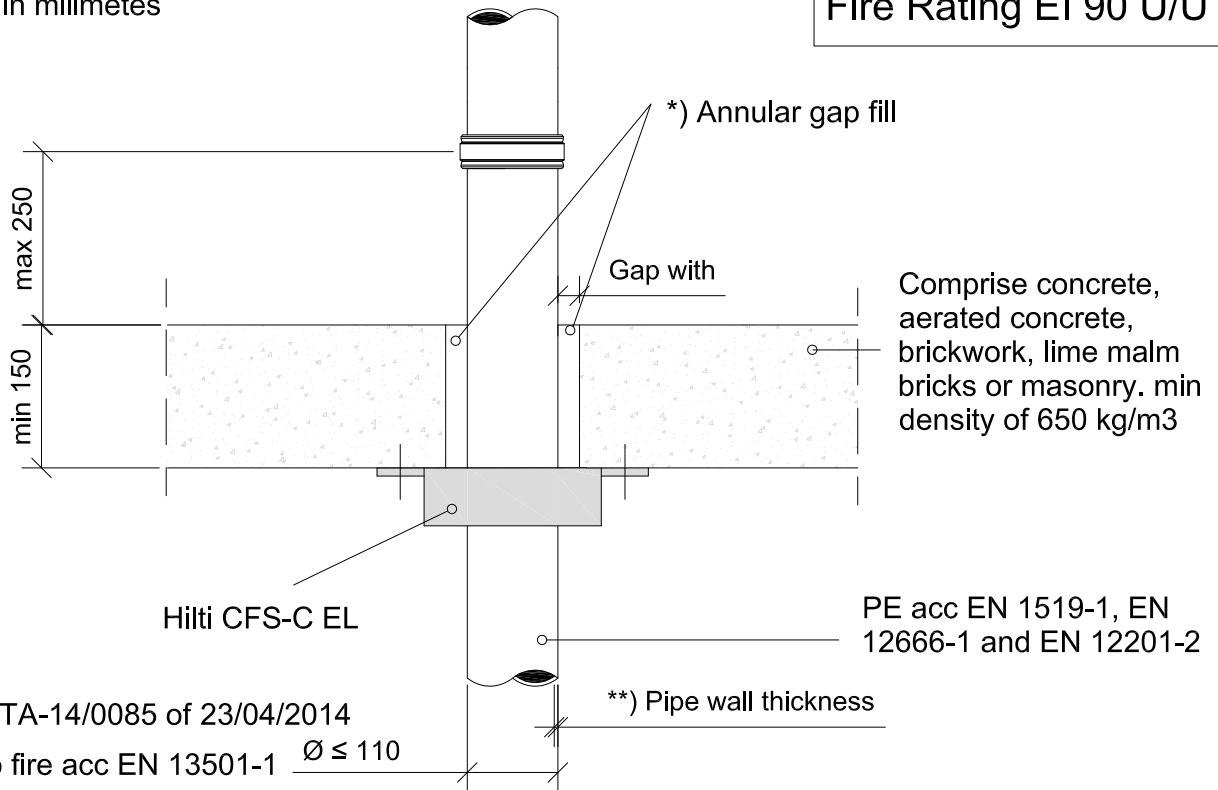
REV

00

No scale

All units are in millimetres

Fire Rating EI 90 U/U



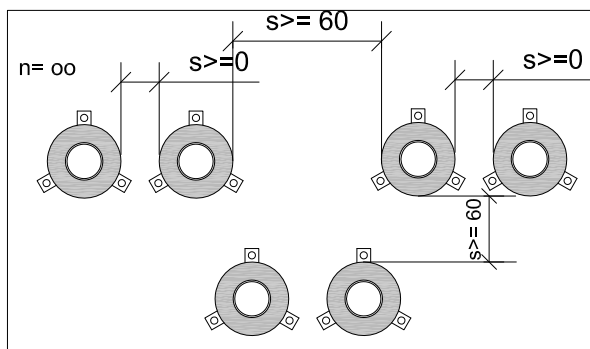
- Approval ETA-14/0085 of 23/04/2014
- Reaction to fire acc EN 13501-1 $\varnothing \leq 110$
- Fire resistance test acc EN 1366-3
- Installation according to Hilti instructions

*) Annular gap fill material

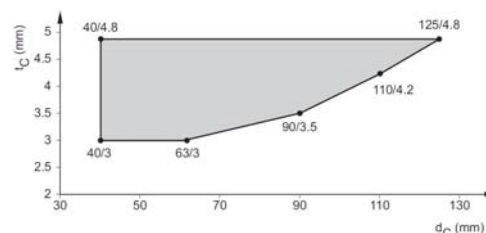
Gap with (mm)	Annular Gap Fill
0-15	Hilti Firestop Acrylic Sealant CFS-S ACR only with a depth > 25 mm on both sides of the floor
0-40	Hilti Firestop Acrylic Sealant CFS-S ACR on top side of floor only with depth > 25 mm, backfilled with mineral wool
0-40	Cementitious mortar acc. EN 998-2 group M10 over the entire thickness of the floor.

Approved pipes and insulation to be used with CFS-B

Pipes types	Copper, unalloyed steel, alloyed steel, cast iron, stainless steel
Pipe outside diameter	dm < 42 mm
Pipe thickness	1.2 mm < tm < 14.2 mm
Elastomeric foamed thermal insulation	CS with minimum length (ld>250mm) on both sides of the floor.
Elastomeric foamed thermal insulation thickness	9 mm < De < 35 mm



**) The pipe wall thickness approved can be found in this graphic





CONTENTS

Zero distance to CFS-B

ID

WW-RF-PP-0214

FIRESTOP COLLAR ENDLESS

0214_01

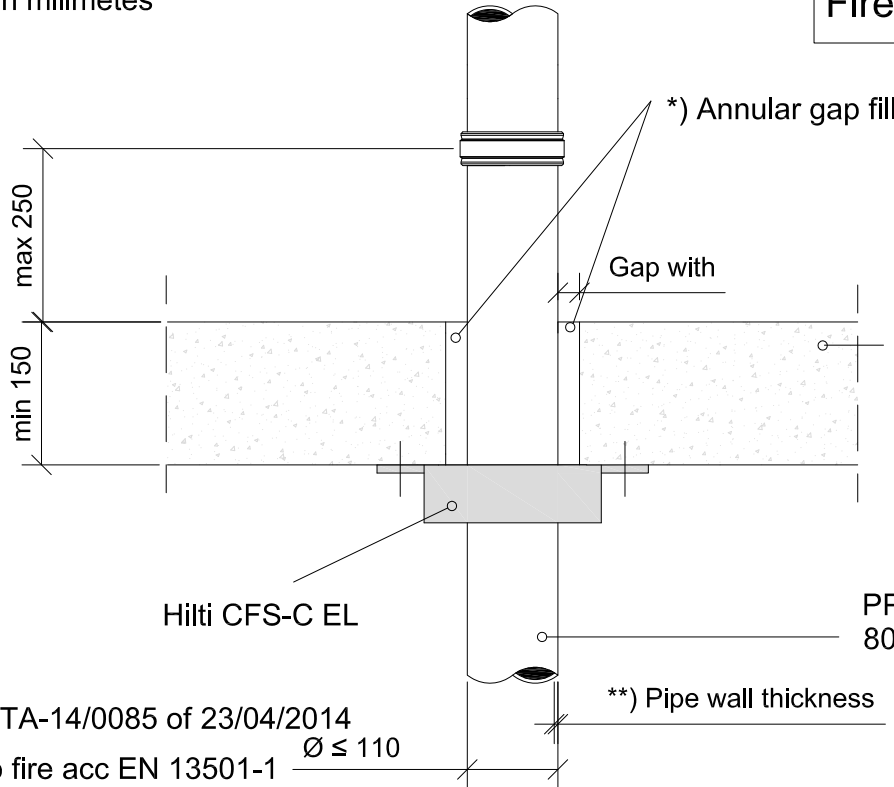
REV

00

No scale

All units are in millimetres

Fire Rating EI 90 U/U



Comprise concrete, aerated concrete, brickwork, lime malm bricks or masonry. min density of 650 kg/m³

PP acc EN 1451-1 and DIN 8077/78

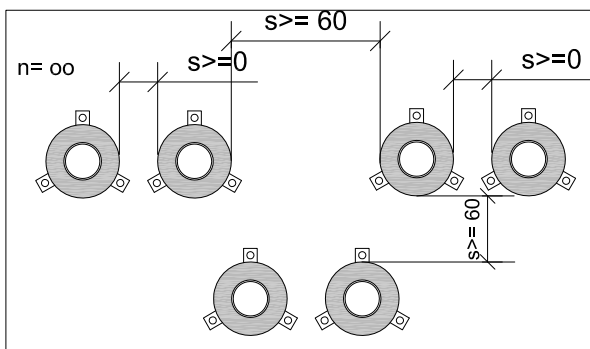
- Approval ETA-14/0085 of 23/04/2014
- Reaction to fire acc EN 13501-1 $\text{Ø} \leq 110$
- Fire resistance test acc EN 1366-3
- Installation according to Hilti instructions

Approved pipes and insulation to be used with CFS-B

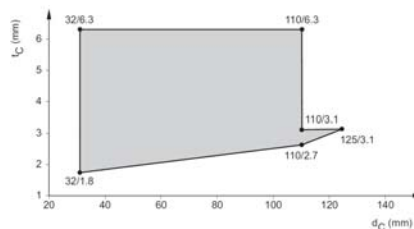
*) Annular gap fill material

Gap with (mm)	Annular Gap Fill
0-15	Hilti Firestop Acrylic Sealant CFS-S ACR only with a depth > 25 mm on both sides of the floor
0-40	Hilti Firestop Acrylic Sealant CFS-S ACR on top side of floor only with depth > 25 mm, backfilled with mineral wool
0-40	Cementious mortar acc. EN 998-2 group M10 over the entire thickness of the floor.

Pipes types	Copper, unalloyed steel, alloyed steel, cast iron, stainless steel
Pipe outside diameter	dm < 42 mm
Pipe thickness	1.2 mm < tm < 14.2 mm
Elastomeric foamed thermal insulation	CS with minimum length (ld>250mm) on both sides of the floor.
Elastomeric foamed thermal insulation thickness	9 mm < De < 35 mm



**) The pipe wall thickness approved can be found in this graphic





CONTENTS

Zero distance to CFS-B

ID

WW-RF-PP-0215

FIRESTOP COLLAR ENDLESS

0215_01

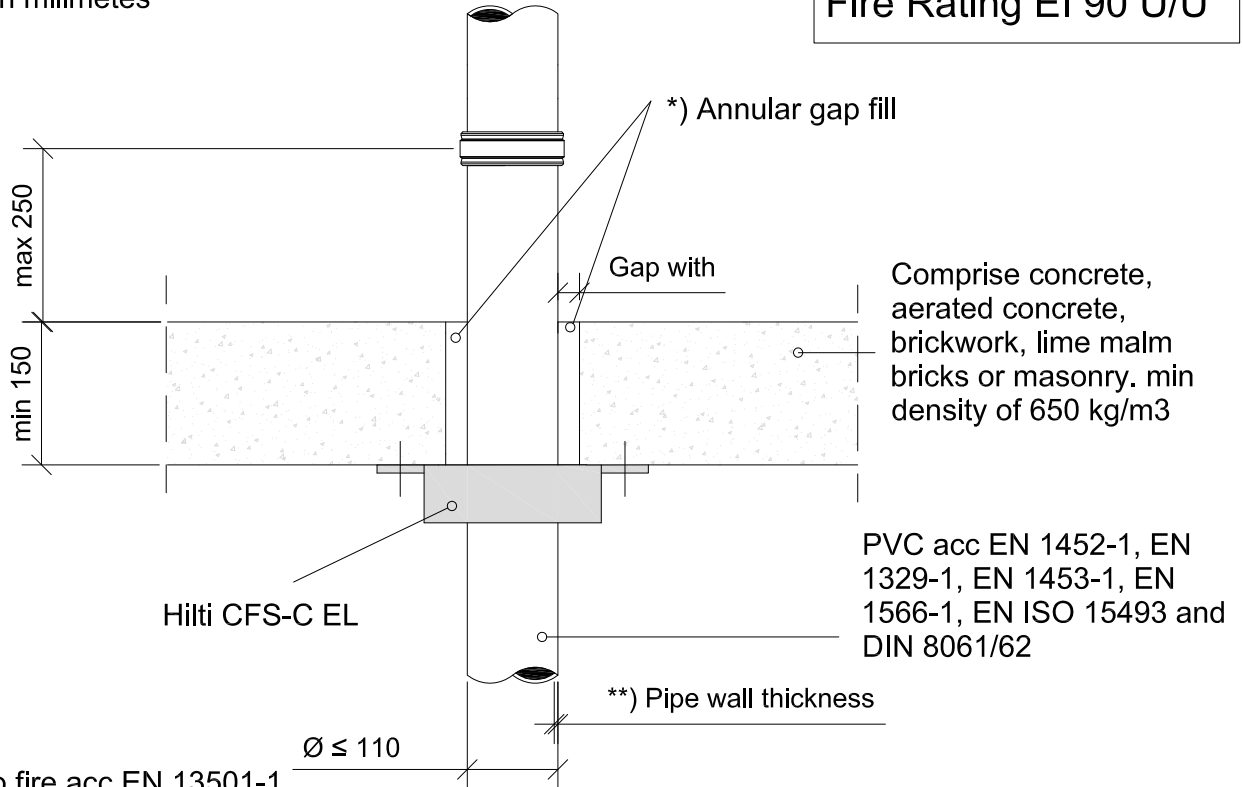
REV

00

No scale

All units are in millimetres

Fire Rating EI 90 U/U



Comprise concrete, aerated concrete, brickwork, lime malm bricks or masonry. min density of 650 kg/m³

PVC acc EN 1452-1, EN 1329-1, EN 1453-1, EN 1566-1, EN ISO 15493 and DIN 8061/62

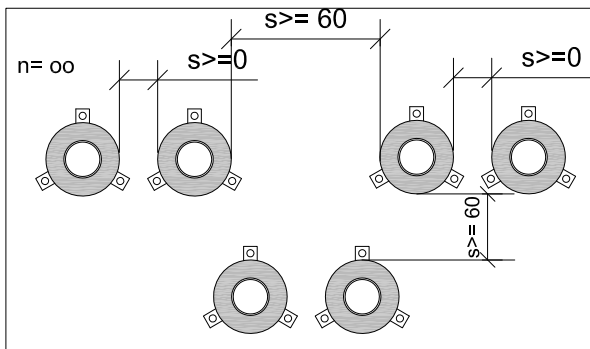
- Reaction to fire acc EN 13501-1
- Fire resistance test acc EN 1366-3
- Installation according to Hilti instructions
- Approval ETA-14/0085 of 23/04/2014

*) Annular gap fill material

Gap with (mm)	Annular Gap Fill
0-15	Hilti Firestop Acrylic Sealant CFS-S ACR only with a depth > 25 mm on both sides of the floor
0-40	Hilti Firestop Acrylic Sealant CFS-S ACR on top side of floor only with depth > 25 mm, backfilled with mineral wool
0-40	Cementious mortar acc. EN 998-2 group M10 over the entire thickness of the floor.

Approved pipes and insulation to be used with CFS-B

Pipes types	Copper, unalloyed steel, alloyed steel, cast iron, stainless steel
Pipe outside diameter	dm < 42 mm
Pipe thickness	1.2 mm < tm < 14.2 mm
Elastomeric foamed thermal insulation	CS with minimum length (ld>250mm) on both sides of the floor.
Elastomeric foamed thermal insulation thickness	9 mm < De < 35 mm



**) The pipe wall thickness approved can be found in this graphic

