

Schémas d'application pour le sac coupe-feu CFS-CU



Applications de conduits acier et plastique

- Conduits plastique et acier en cloison épaisseur 100 mm
(dimensions maximum de l'ouverture 1200 x 1500) CAB-FW-CD-0171/172
- Conduits plastique et acier en voile rigide épaisseur 100 mm
(dimensions maximum de l'ouverture 1200 x 1500) CAB-RW-CD-0179/180
- Conduits plastique et acier en dalle rigide épaisseur 150 mm
(dimensions maximum de l'ouverture 1200 x 1500) CAB-RF-CD-0197/194

*) Tous les schémas sont également disponibles sur demande en format DWG pour faciliter l'insertion sur des plans.



CONTENTS

Steel and plastic conduits in a flexible wall

ID

CAB-FW-CD-0171

FIRESTOP CUSHION

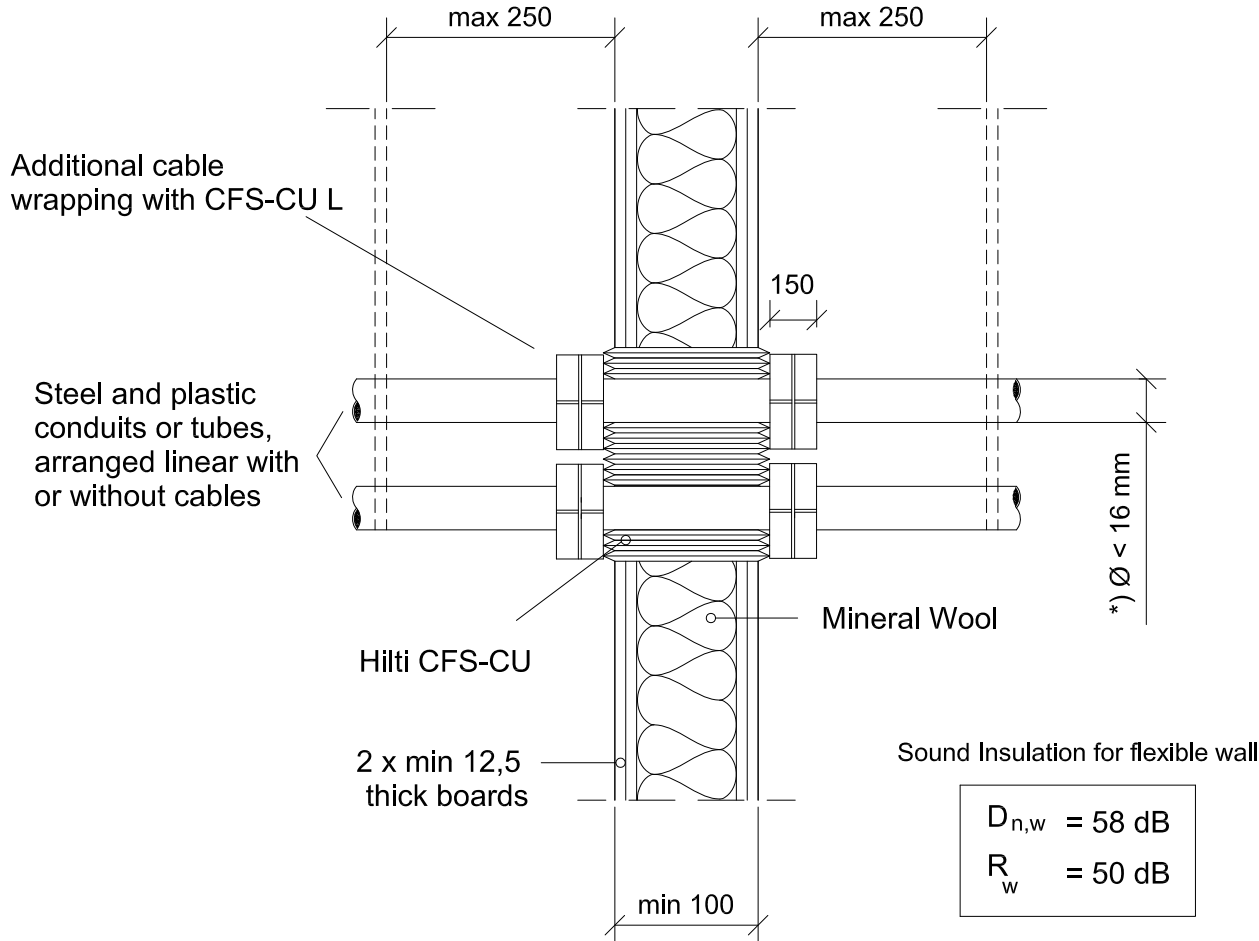
0171_01

REV
00

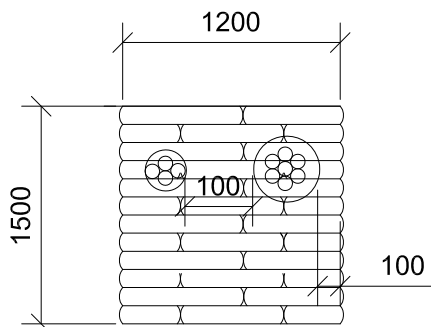
No scale

All units are in millimetres

Fire Rating EI 120 U/U



Max. opening (1200x1500) and minimum distance



*) Valid also for PVC-U pipes acc EN 1452-1 and DIN 8061/8062 arranged linear, $\varnothing 50$ with wall thickness between 1.8 and 5.3 mm (without additional cable wrapping)

- Approval ETA-08/0213 of 11/04/2011
- Reaction to fire acc EN 13501-1
- Fire resistance test acc 1366-3
- Installation according to Hilti instructions



CONTENTS

Steel and plastic conduits in a flexible wall

ID

CAB-FW-CD-0172

FIRESTOP CUSHION

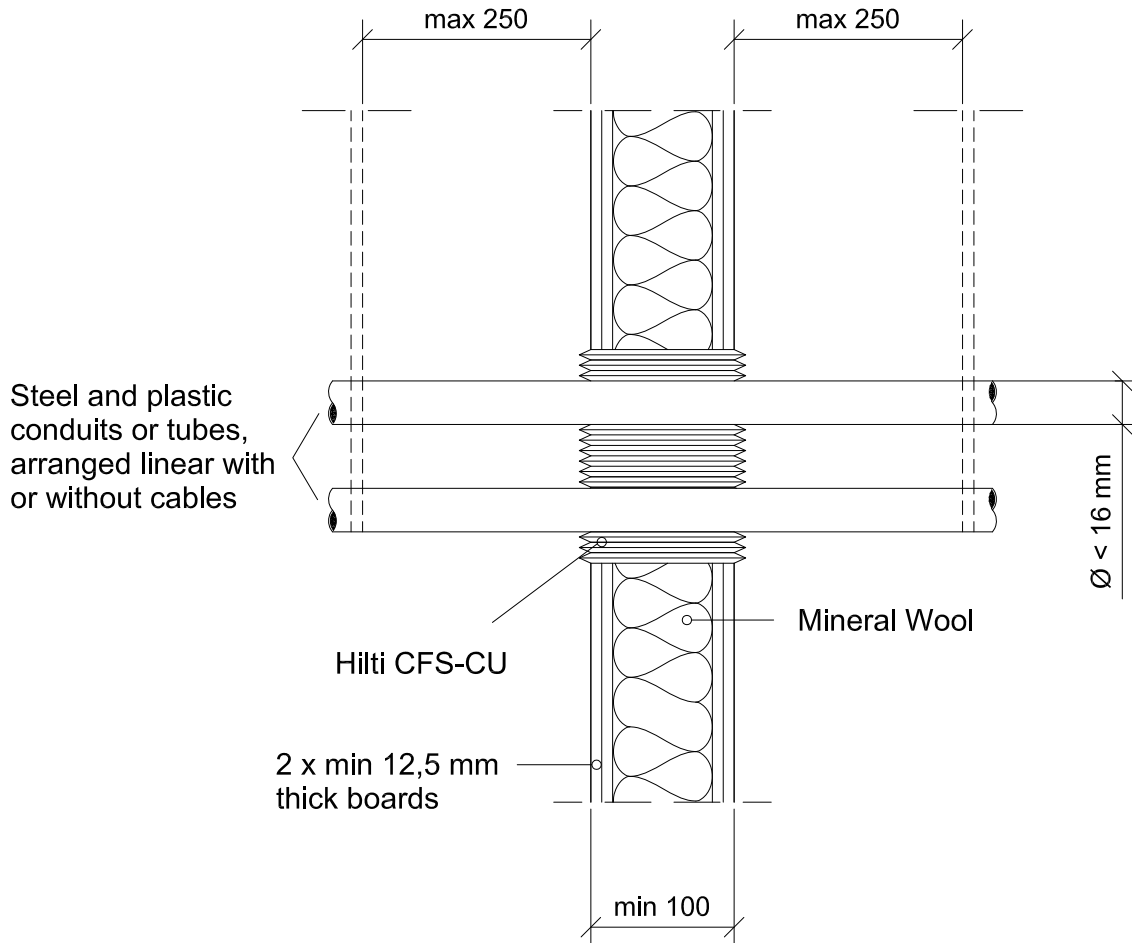
0172_01

REV
00

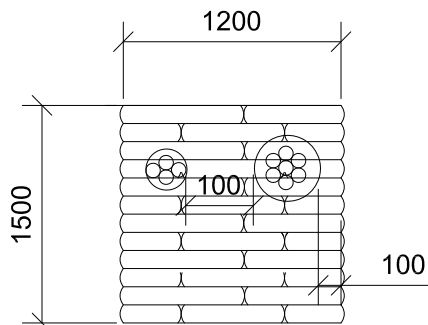
No scale

All units are in millimetres

Fire Rating EI 45



Max. opening (1200x1500) and minimum distance



Sound Insulation for flexible wall

$$D_{n,w} = 58 \text{ dB}$$

$$R_w = 50 \text{ dB}$$

- Approval ETA-08/0213 of 11/04/2011
- Reaction to fire acc EN 13501-1
- Fire resistance test acc 1366-3
- Installation according to Hilti instructions



CONTENTS

Steel and plastic conduits in a rigid wall

ID

CAB-RW-CD-0179

FIRESTOP CUSHION

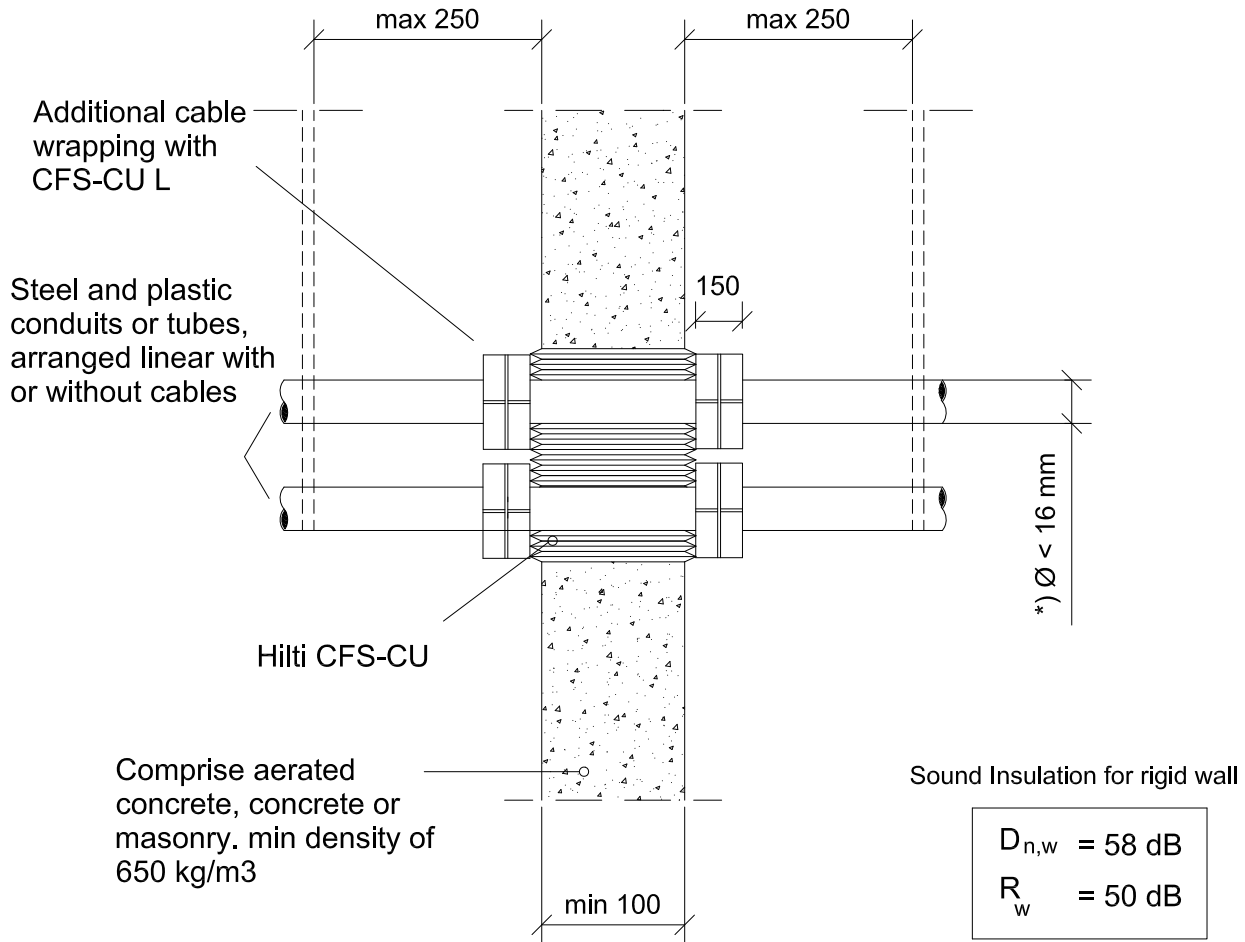
0179_01

REV 00

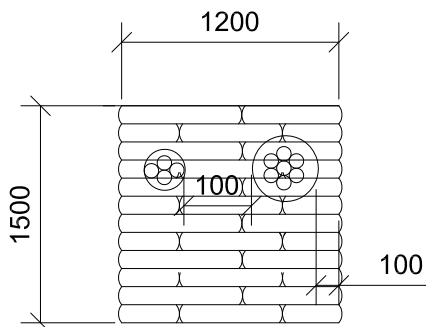
No scale

All units are in millimetres

Fire Rating EI 120



Max. opening (1200x1500) and minimum distance



*) Valid also for PVC-U pipes acc EN 1452-1 and DIN 8061/8062 arranged linear, $\varnothing 50$ with wall thickness between 1.8 and 5.3 mm (without additional cable wrapping)

- Approval ETA-08/0213 of 11/04/2011
- Reaction to fire acc EN 13501-1
- Fire resistance test acc 1366-3
- Installation according to Hilti instructions



CONTENTS

Steel and plastic conduits in a rigid wall

ID

CAB-RW-CD-0180

FIRESTOP CUSHION

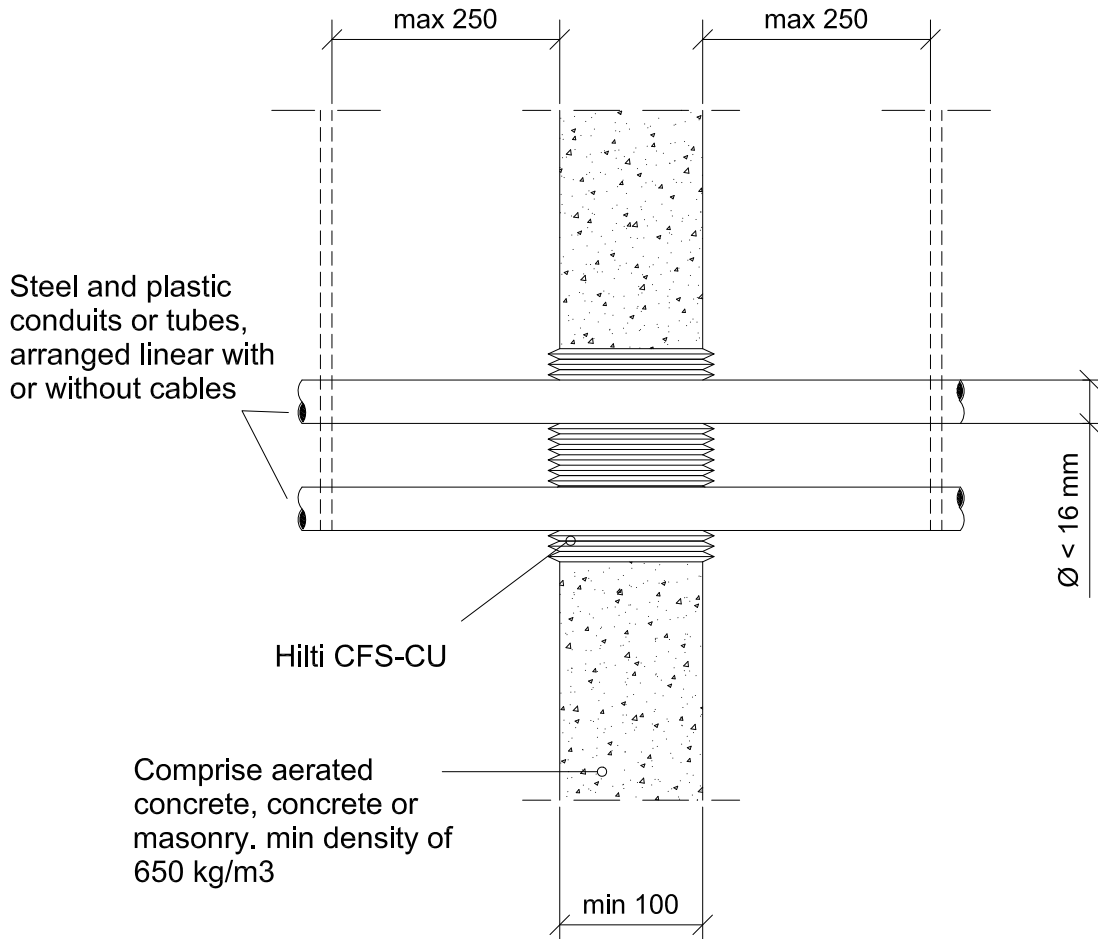
0180_01

REV 00

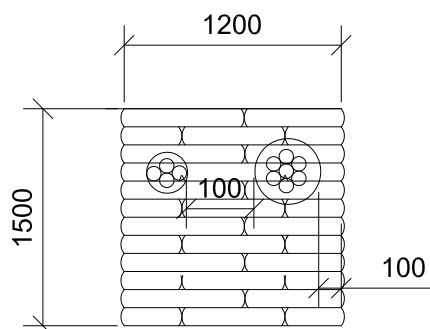
No scale

All units are in millimetres

Fire Rating EI 45



Max. opening (1200x1500) and minimum distance



Sound Insulation for rigid wall

$$D_{n,w} = 58 \text{ dB}$$

$$R_w = 50 \text{ dB}$$

- Approval ETA-08/0213 of 11/04/2011
- Reaction to fire acc EN 13501-1
- Fire resistance test acc 1366-3
- Installation according to Hilti instructions



CONTENTS

Steel and plastic conduits in a rigid floor

ID

CAB-RF-CD-0193

FIRESTOP CUSHION

0193_01

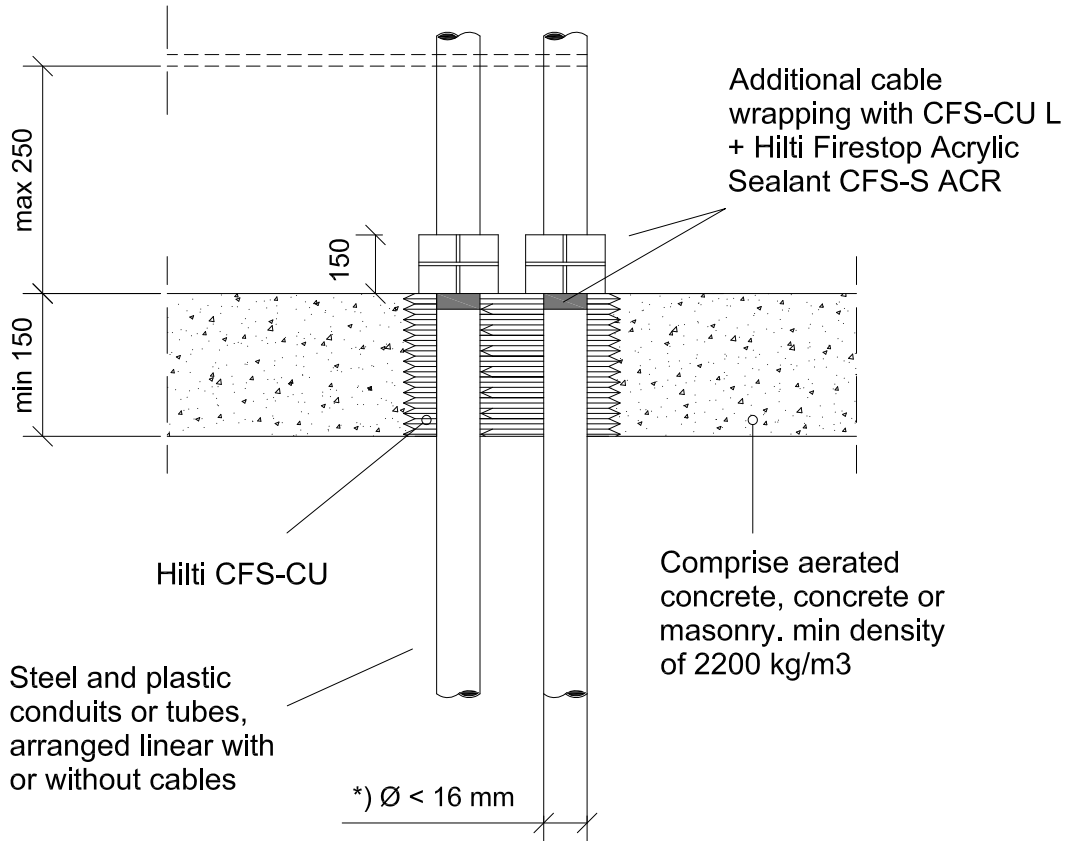
REV

00

No scale

All units are in millimetres

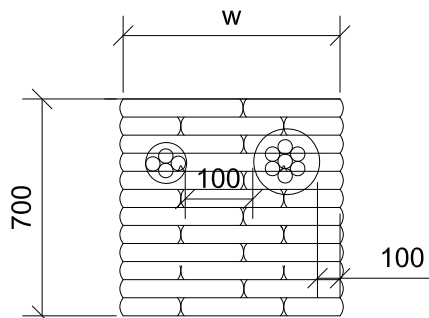
Fire Rating EI 120



*) Valid also for PVC-U pipes acc EN 1452-1 and DIN 8061/8062 arranged linear, $\varnothing 50$ with wall thickness between 1.8 and 5.3 mm

Max. opening up to 700mm wide and unlimited length and minimum distance

- Approval ETA-08/0213 of 11/04/2011
- Reaction to fire acc EN 13501-1
- Fire resistance test acc 1366-3
- Installation according to Hilti instructions



Sound Insulation for rigid floor

$D_{n,w} = 58$ dB

$R_w = 50$ dB



CONTENTS

Steel and plastic conduits in a rigid floor

ID

CAB-RF-CD-0194

FIRESTOP CUSHION

0194_01

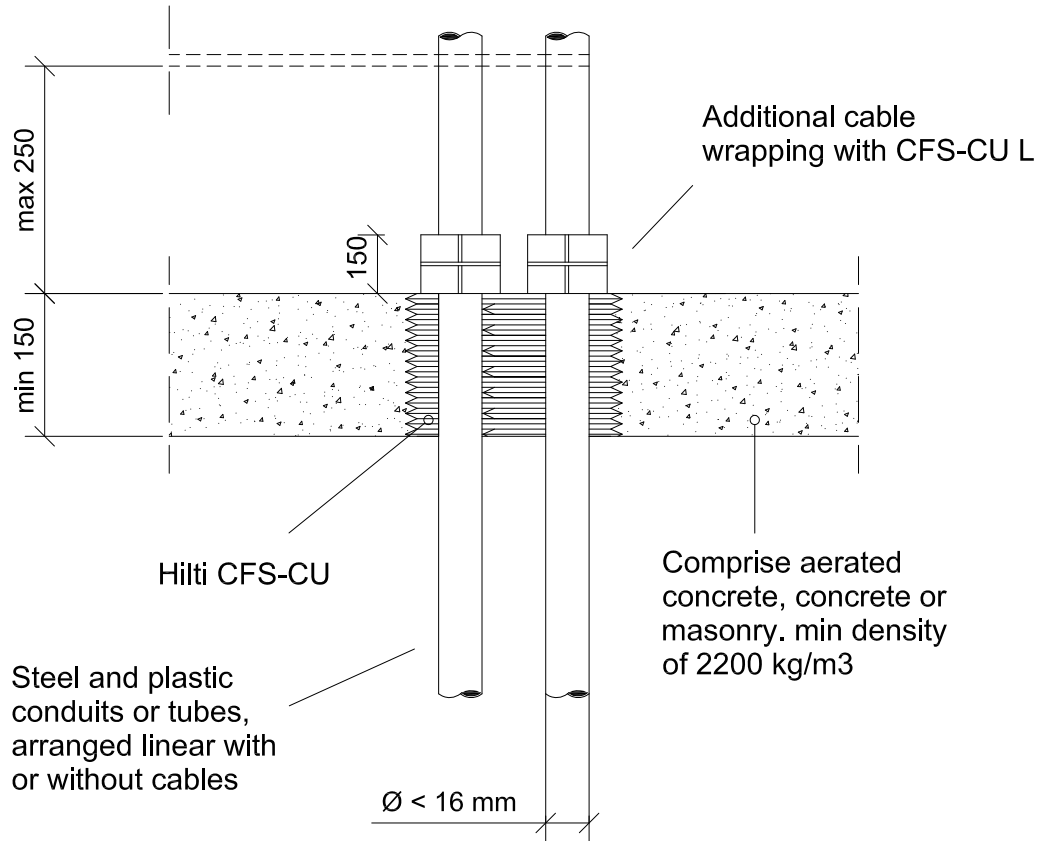
REV

00

No scale

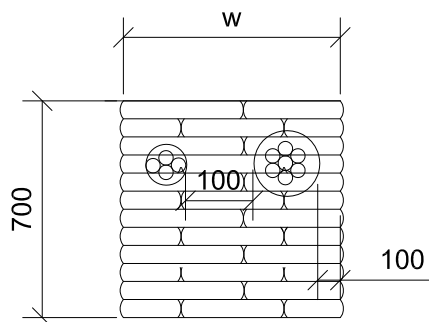
All units are in millimetres

Fire Rating EI 60



Max. opening up to 700mm wide and unlimited length and minimum distance

- Approval ETA-08/0213 of 11/04/2011
- Reaction to fire acc EN 13501-1
- Fire resistance test acc 1366-3
- Installation according to Hilti instructions



Sound Insulation for rigid floor

$$D_{n,w} = 58 \text{ dB}$$

$$R_w = 50 \text{ dB}$$