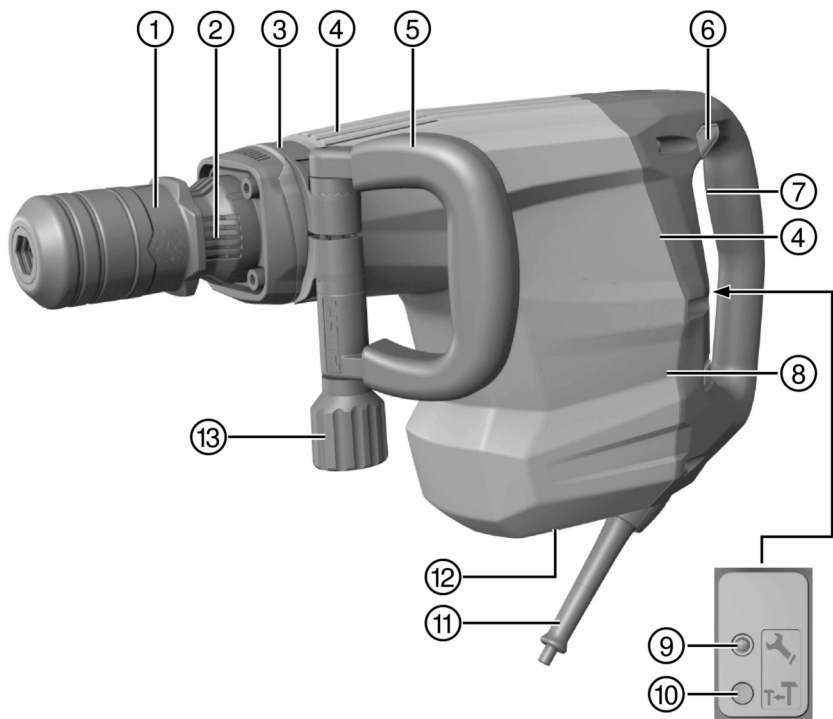
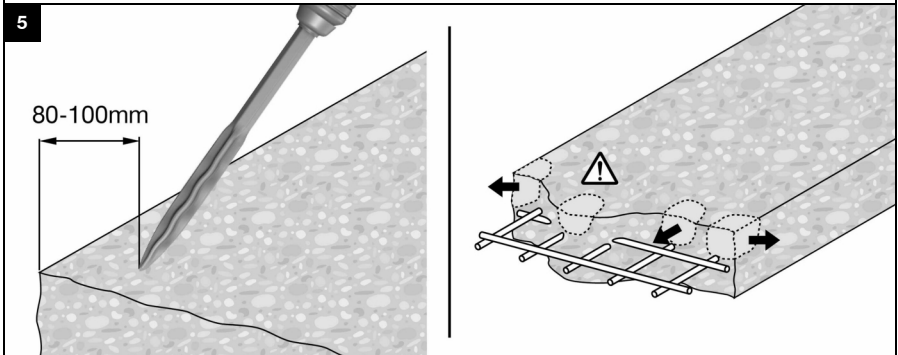
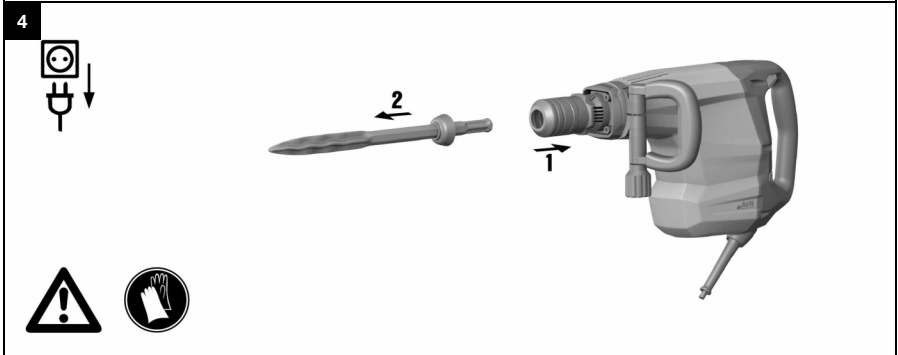
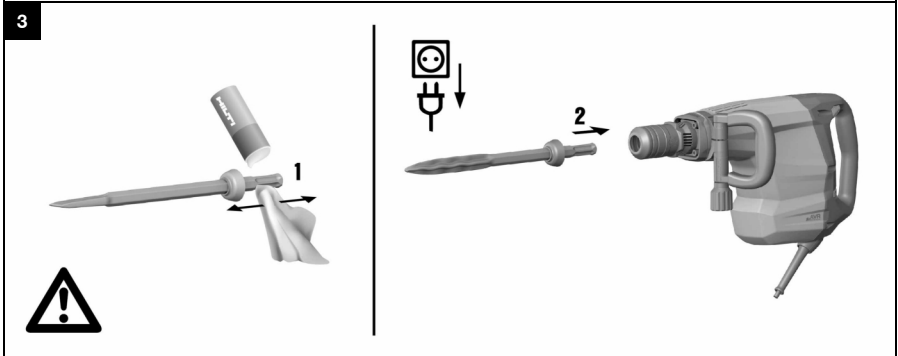
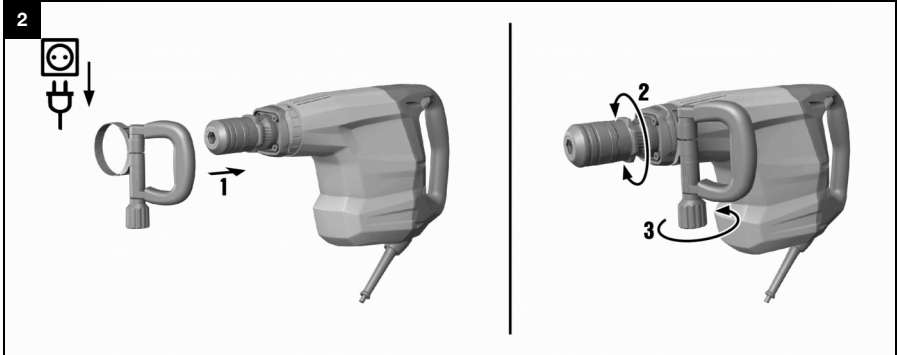




TE 800-AVR

English	1
Français	10
Español	20
Português	30





TE 800-AVR

en	Original operating instructions	1
fr	Mode d'emploi original	10
es	Manual de instrucciones original	20
pt	Manual de instruções original	30

Original operating instructions

1 Information about the operating instructions

1.1 About these operating instructions

- Read these operating instructions before the product is used or operated for the first time. This is a prerequisite for safe, trouble-free handling and use of the product.
- Observe the safety instructions and warnings in these operating instructions and on the product.
- Always keep the operating instructions with the product and make sure that the product is accompanied by these operating instructions only, when the product is given to other persons.

1.2 Explanation of symbols

1.2.1 Warnings

Warnings alert persons to hazards that occur when handling or using the product. The following signal words are used:

DANGER

DANGER !

- ▶ Draws attention to imminent danger that will lead to serious personal injury or fatality.

WARNING

WARNING !

- ▶ Draws attention to a potential threat of danger that can lead to serious injury or fatality.





CAUTION

CAUTION !

- ▶ Draws attention to a potentially dangerous situation that could lead to personal injury or damage to the equipment or other property.




1.2.2 Symbols in the operating instructions

The following symbols are used in these operating instructions:

	Comply with the operating instructions
	Instructions for use and other useful information
	Dealing with recyclable materials
	Do not dispose of electric equipment and batteries as household waste

1.2.3 Symbols in illustrations

The following symbols are used in illustrations:

	These numbers refer to the illustrations at the beginning of these operating instructions.
3	The numbers in illustrations refer to important work steps or to components important for the work steps. In the text, the corresponding numbers draw attention to these work steps or components, e.g. (3) .
	Item reference numbers are used in the overview illustration and refer to the numbers used in the key in the product overview section.
	This symbol is intended to draw your special attention to certain points for handling the product.



1.3 Product-dependent symbols

1.3.1 Symbols on the product

The following symbols are used on the product:

	Service indicator
	Power selector

1.4 Product information

Hilti products are designed for professional use and may be operated, serviced and maintained only by trained, authorized personnel. This personnel must be specifically informed about the possible hazards. The product and its ancillary equipment can present hazards if used incorrectly by untrained personnel or if used not in accordance with the intended use.

The type designation and serial number are printed on the rating plate.

- ▶ Write down the serial number in the table below. You will be required to state the product details when contacting Hilti Service or your local Hilti organization to inquire about the product.

Product information

Breaker	TE 800-AVR
Generation	01
Serial no.	

1.5 Declaration of conformity

We declare, on our sole responsibility, that the product described here complies with the applicable directives and standards. A copy of the declaration issued by the certification department can be found at the end of this documentation.

The technical documentation is filed here:

Hilti Entwicklungsgesellschaft mbH | Tool Certification | Hiltistrasse 6 | 86916 Kaufering, Germany

2 Safety

2.1 General power tool safety warnings

⚠ WARNING Read all safety warnings, instructions, illustrations and specifications provided with this power tool. Failure to follow all instructions listed below may result in electric shock, fire and/or serious injury. **Save all warnings and instructions for future reference.**

The term "power tool" in the warnings refers to your mains-operated (corded) power tool or battery-operated (cordless) power tool.

Work area safety

- ▶ **Keep work area clean and well lit.** Cluttered or dark areas invite accidents.
- ▶ **Do not operate power tools in explosive atmospheres, such as in the presence of flammable liquids, gases or dust.** Power tools create sparks which may ignite the dust or fumes.
- ▶ **Keep children and bystanders away while operating a power tool.** Distractions can cause you to lose control.

Electrical safety

- ▶ **Power tool plugs must match the outlet. Never modify the plug in any way. Do not use any adapter plugs with earthed (grounded) power tools.** Unmodified plugs and matching outlets will reduce risk of electric shock.
- ▶ **Avoid body contact with earthed or grounded surfaces, such as pipes, radiators, ranges and refrigerators.** There is an increased risk of electric shock if your body is earthed or grounded.
- ▶ **Do not expose power tools to rain or wet conditions.** Water entering a power tool will increase the risk of electric shock.
- ▶ **Do not abuse the cord. Never use the cord for carrying, pulling or unplugging the power tool. Keep cord away from heat, oil, sharp edges or moving parts.** Damaged or entangled cords increase the risk of electric shock.
- ▶ **When operating a power tool outdoors, use an extension cord suitable for outdoor use.** Use of a cord suitable for outdoor use reduces the risk of electric shock.



- ▶ **If operating a power tool in a damp location is unavoidable, use a residual current device (RCD) protected supply.** Use of an RCD reduces the risk of electric shock.

Personal safety

- ▶ **Stay alert, watch what you are doing and use common sense when operating a power tool. Do not use a power tool while you are tired or under the influence of drugs, alcohol or medication.** A moment of inattention while operating power tools may result in serious personal injury.
- ▶ **Use personal protective equipment. Always wear eye protection.** Protective equipment such as a dust mask, non-skid safety shoes, hard hat or hearing protection used for appropriate conditions will reduce personal injuries.
- ▶ **Prevent unintentional starting. Ensure the switch is in the off-position before connecting to power source and/or battery pack, picking up or carrying the tool.** Carrying power tools with your finger on the switch or energising power tools that have the switch on invites accidents.
- ▶ **Remove any adjusting key or wrench before turning the power tool on.** A wrench or a key left attached to a rotating part of the power tool may result in personal injury.
- ▶ **Do not overreach. Keep proper footing and balance at all times.** This enables better control of the power tool in unexpected situations.
- ▶ **Dress properly. Do not wear loose clothing or jewellery. Keep your hair and clothing away from moving parts.** Loose clothes, jewellery or long hair can be caught in moving parts.
- ▶ **If devices are provided for the connection of dust extraction and collection facilities, ensure these are connected and properly used.** Use of dust collection can reduce dust-related hazards.
- ▶ **Do not let familiarity gained from frequent use of tools allow you to become complacent and ignore tool safety principles.** A careless action can cause severe injury within a fraction of a second.

Power tool use and care

- ▶ **Do not force the power tool. Use the correct power tool for your application.** The correct power tool will do the job better and safer at the rate for which it was designed.
- ▶ **Do not use the power tool if the switch does not turn it on and off.** Any power tool that cannot be controlled with the switch is dangerous and must be repaired.
- ▶ **Disconnect the plug from the power source and/or remove the battery pack, if detachable, from the power tool before making any adjustments, changing accessories, or storing power tools.** Such preventive safety measures reduce the risk of starting the power tool accidentally.
- ▶ **Store idle power tools out of the reach of children and do not allow persons unfamiliar with the power tool or these instructions to operate the power tool.** Power tools are dangerous in the hands of untrained users.
- ▶ **Maintain power tools and accessories. Check for misalignment or binding of moving parts, breakage of parts and any other condition that may affect the power tool's operation. If damaged, have the power tool repaired before use.** Many accidents are caused by poorly maintained power tools.
- ▶ **Keep cutting tools sharp and clean.** Properly maintained cutting tools with sharp cutting edges are less likely to bind and are easier to control.
- ▶ **Use the power tool, accessories and tool bits etc. in accordance with these instructions, taking into account the working conditions and the work to be performed.** Use of the power tool for operations different from those intended could result in a hazardous situation.
- ▶ **Keep handles and grasping surfaces dry, clean and free from oil and grease.** Slippery handles and grasping surfaces do not allow for safe handling and control of the tool in unexpected situations.

Service

- ▶ **Have your power tool serviced by a qualified repair person using only identical replacement parts.** This will ensure that the safety of the power tool is maintained.

2.2 Hammer safety warnings

Safety instructions for all operations

- ▶ **Wear ear protectors.** Exposure to noise can cause hearing loss.
- ▶ **Use auxiliary handle(s), if supplied with the tool.** Loss of control can cause personal injury.
- ▶ **Hold the power tool by insulated gripping surfaces, when performing an operation where the cutting accessory may contact hidden wiring or its own cord.** Cutting accessory contacting a "live" wire may make exposed metal parts of the power tool "live" and could give the operator an electric shock.



2.3 Additional safety instructions for breakers

Personal safety

- ▶ Use the product and accessories only when they are in perfect working order.
- ▶ Never tamper with or modify the product or accessories in any way.
- ▶ When chiseling into ceilings, walls and floors, always make sure that you have a safe and firm stance. A sudden break-through can affect your balance!
- ▶ Apply appropriate safety measures at the opposite side of the workpiece in work that involves breaking through. Parts breaking away could fall out and / or fall down causing injury to other persons.
- ▶ You and the other persons in the vicinity must wear suitable eye protection, a hard hat, ear protection, protective gloves and light respiratory protection while the product is in use.
- ▶ Wear protective gloves when changing the accessory tool. Touching the accessory tool can result in cuts and burns.
- ▶ Wear eye protection. Flying fragments can injure the body and eyes.
- ▶ Dust produced by grinding, sanding, cutting and drilling can contain dangerous chemicals. Some examples are: lead or lead-based paints; brick, concrete and other masonry products, natural stone and other products containing silicates; certain types of wood, such as oak, beech and chemically treated wood; asbestos or materials that contain asbestos. Determine the exposure of the operator and bystanders by means of the hazard classification of the materials to be worked. Implement the necessary measures to restrict exposure to a safe level, for example by the use of a dust collection system or by the wearing of suitable respiratory protection. The general measures for reducing exposure include:
 - ▶ working in an area that is well ventilated,
 - ▶ avoidance of prolonged contact with dust,
 - ▶ directing dust away from the face and body,
 - ▶ wearing protective clothing and washing exposed areas of the skin with water and soap.
- ▶ Take frequent breaks and do physical exercises to improve the blood circulation in your fingers. High vibration during long periods of work can lead to disorders of the blood vessels and nervous system in the fingers, hands and wrists.

Electrical safety

- ▶ Before beginning work, check the working area for concealed electric cables or gas and water pipes. External metal parts of the product could give you an electric shock or cause an explosion if you accidentally damage an electric cable or a gas or water pipe.

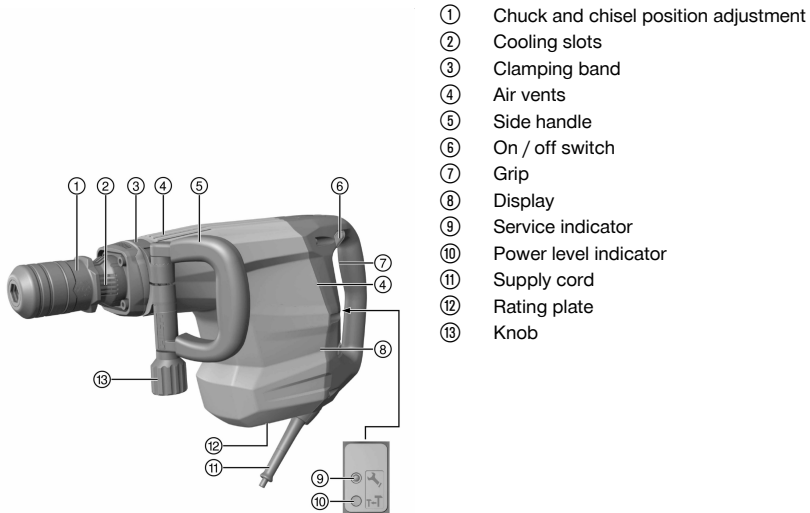
Power tool use and care

- ▶ Wait until the product has come to a complete stop before you lay it down.



3 Description

3.1 Product overview



- ① Chuck and chisel position adjustment
- ② Cooling slots
- ③ Clamping band
- ④ Air vents
- ⑤ Side handle
- ⑥ On / off switch
- ⑦ Grip
- ⑧ Display
- ⑨ Service indicator
- ⑩ Power level indicator
- ⑪ Supply cord
- ⑫ Rating plate
- ⑬ Knob

3.2 Intended use

The product described is an electrically-powered breaker with pneumatic hammering mechanism. It is designed for heavy chiseling work on masonry and concrete.

- ▶ Operation is permissible only when connected to a power source providing a voltage and frequency in compliance with the information given on the type identification plate.

3.3 Active Vibration Reduction (AVR)

The breaker is equipped with an Active Vibration Reduction (AVR) system, which greatly reduces vibration.

3.4 Service indicator

The breaker is equipped with a service indicator LED.

Status	Meaning
The service indicator lights.	End of service interval – servicing is due. Bring the product to Hilti Service in good time. This will help to ensure that it's always ready for use.

3.5 Power level indicator

The breaker is equipped with a power level indicator LED.



Status	Meaning
The power level indicator lights.	Chiseling power is reduced to 70%. Press the power level selector switch again to return to full chiseling power. The chiseling power level can be adjusted only when the tool is plugged in to the electric supply.

3.6 Items supplied

Breaker, side handle, operating instructions.

Other system products approved for use with this product can be found at your local **Hilti Store** or at: www.hilti.group | USA: www.hilti.com

4 Technical data

4.1 Breaker

For details of the rated voltage, current, frequency and/or input power, please refer to the power tool's country-specific type identification plate.

When powered by a generator or transformer, the generator or transformer's power output must be at least twice the rated input power shown on the rating plate of the power tool. The operating voltage of the transformer or generator must always be within +5% and -15% of the rated voltage of the power tool.

	TE 800-AVR
Rated power input	1,850 W
Single impact energy	21 J
Weight	10.6 kg (23.4 lb)

5 Operation

5.1 Preparations at the workplace

CAUTION

Risk of injury! Inadvertent starting of the product.

- ▶ Unplug the supply cord before making adjustments to the power tool or before changing accessories.

Observe the safety instructions and warnings in this documentation and on the product.

5.1.1 Fitting the side handle

CAUTION

Risk of injury! Loss of control over the breaker.

- ▶ Check that the side handle is fitted correctly and tightened securely.

- ▶ Fit the side handle.

5.1.2 Changing the accessory tool

WARNING

Risk of injury! The tool becomes hot as a result of use.

- ▶ Wear protective gloves when changing the tool.

1. Apply a little grease to the connection end of the accessory tool.
2. Push the accessory tool into the chuck as far as it will go (until it engages).
 - ▶ The product is ready for use.



3. Pull the chuck back as far as it will go and remove the accessory tool.



Use only the recommended grease supplied by **Hilti**. Use of unsuitable grease may cause damage to the product.

5.1.3 Removing the accessory tool



DANGER

Risk of fire! Risk of contact between the hot accessory tool and highly inflammable materials.

- ▶ Do not lay the hot accessory tool down on highly inflammable materials.



WARNING

Risk of injury! The tool becomes hot as a result of use.

- ▶ Wear protective gloves when changing the tool.

- ▶ Remove the accessory tool.

5.1.4 Positioning the chisel



CAUTION

Risk of injury! Loss of control over the chisel direction.

- ▶ Do not operate the tool when the selector switch is set to “Chisel positioning”. Turn the function selector switch until it engages in the “Chiseling” position.



The chisel can be adjusted to 6 different positions (in 60° increments). This ensures that flat chisels and shaped chisels can always be set to the optimum working position.

- ▶ Fit the accessory tool. → page 6

5.1.5 Setting the chiseling power

1. Press the power level selector switch.
 - ▶ The power level indicator lights yellow.
 - ▶ Power is reduced to 70%.



Reduce the power to 70% when you wish to chisel with greater precision.



The chiseling power level can be adjusted only when the tool is plugged in to the electric supply.

2. Press the power level selector switch again to return to full chiseling power.

5.2 Types of work



WARNING

Risk of electric shock! Severe injury and burns can result if any attempt is made to operate the tool without an earth/ground conductor and ground fault circuit interrupter correctly connected.

- ▶ Irrespective of whether mains power or generator power is used, always make sure that an earth/ground conductor and ground fault circuit interrupter are present in the power supply and that these are correctly connected.
- ▶ Do not use the product unless these safety measures are in place and fully operational.



WARNING

A damaged supply cord presents a hazard! Do not touch the supply cord or extension cord if damaged while working. Disconnect the supply cord plug from the power outlet.


- ▶ Check the appliance's supply cord at regular intervals and have it replaced by a qualified specialist if found to be damaged.

Full approval must be obtained from the site engineer or architect prior to beginning the work.




5.2.1 Chiseling

1. Plug the supply cord into the power outlet.

 Working at low temperatures: The hammering mechanism works only when the power tool has reached a minimum operating temperature. Bring the chisel into contact with the base material and allow the power tool to run under no load until the minimum operating temperature is reached. If necessary, repeat this procedure until the hammering mechanism begins to operate.

2. Bring the chisel into contact with the workpiece about 80 -100 mm (3 1/8" - 4") from its edge.
3. To switch the power tool on, push the on/off switch to the right.
 - ▶ The on/off switch remains engaged in this position (on the right).
4. To switch the power tool off, push the on/off switch to the left.
 - ▶ The on/off switch remains engaged in this position (on the left).

 If inadequate pressure is applied, the chisel will jump around uncontrollably. Application of excessive pressure will result in a loss of chiseling performance. When working close to reinforcing bars, always guide the tip of the chisel toward the edge of the workpiece, not toward a reinforcing bar.

6 Care and maintenance

WARNING

Electric shock hazard! Attempting care and maintenance with the supply cord connected to a power outlet can lead to severe injury and burns.

- ▶ Always unplug the supply cord before carrying out care and maintenance tasks.

Care

- Carefully remove stubborn dirt from the tool.
- Clean the air vents carefully with a dry brush.
- Use only a slightly damp cloth to clean the casing. Do not use cleaning agents containing silicone as they can attack the plastic parts.

Maintenance

WARNING

Danger of electric shock! Improper repairs to electrical components may lead to serious injuries including burns.

- ▶ Repairs to the electrical section of the tool or appliance may be carried out only by trained electrical specialists.
- Check all visible parts and controls for signs of damage at regular intervals and make sure that they all function correctly.
- Do not operate the product if signs of damage are found or if parts malfunction. Have it repaired immediately by Hilti Service.
- After cleaning and maintenance, fit all guards or protective devices and check that they function correctly.



To help ensure safe and reliable operation, use only genuine Hilti spare parts and consumables. Spare parts, consumables and accessories approved by Hilti for use with the product can be found at your local **Hilti Store** or online at: www.hilti.group.

7 Transport and storage

Transport

- ▶ Do not transport this product with an accessory tool installed.
- ▶ Make sure that the equipment is held securely throughout all transport operations.
- ▶ After transporting, always check all visible parts and controls for signs of damage and make sure that they all function correctly.

Storage

- ▶ Always store this product with the electric supply cable unplugged from the electricity supply.
- ▶ Store this product in a dry place, where it cannot be accessed by children or unauthorized persons.



- ▶ After a long period of storage, always check all visible parts and controls for signs of damage and make sure that they all function correctly.

8 Troubleshooting

If the trouble you are experiencing is not listed in this table or you are unable to remedy the problem by yourself, please contact **Hilti** Service.

8.1 Troubleshooting

Trouble or fault	Possible cause	Action to be taken
The power tool doesn't start.	Electronics initialization in progress (takes up to 1 second after plugging in) or the electronic restart safety interlock has been activated after an interruption in the electric supply.	▶ Switch the power tool off and then on again.
	Interruption in the electric supply.	▶ Plug in another power tool or appliance and check whether it works.
	The supply cord or plug is defective.	▶ Have the parts checked by a trained electrical specialist and replaced if necessary.
	The control switch is defective.	▶ Have the power tool checked by a trained electrical specialist and the carbon brushes replaced if necessary.
	Generator in sleep mode	▶ Apply a load to the generator by connecting a second power consumer (e.g. worklight).
The power tool doesn't start and the service indicator lights red.	The carbon brushes are worn.	▶ Have the parts checked by a trained electrical specialist and replaced if necessary.
	A fault has occurred in the tool.	▶ Have the tool repaired by Hilti Service.
No hammering action.	The power tool is too cold.	▶ Bring the tip of the drill bit or chisel into contact with the workpiece and allow the power tool to run under no load until it reaches the minimum operating temperature.
	A fault has occurred in the tool.	▶ Have the tool repaired by Hilti Service.
The power tool doesn't start.	Electronics initialization in progress (takes up to 1 second after plugging in) or the electronic restart safety interlock has been activated after an interruption in the electric supply.	▶ Switch the power tool off and then on again.
	Interruption in the electric supply.	▶ Plug in another power tool or appliance and check whether it works.
	The supply cord or plug is defective.	▶ Have the parts checked by a trained electrical specialist and replaced if necessary.
	The control switch is defective.	▶ Have the power tool checked by a trained electrical specialist and the carbon brushes replaced if necessary.



Trouble or fault	Possible cause	Action to be taken
The power tool doesn't start.	Generator in sleep mode	▶ Apply a load to the generator by connecting a second power consumer (e.g. worklight).
The power tool starts and the service indicator lights red.	The service indicator lights.	▶ Have the power tool serviced or repaired by Hilti Service .
The tool does not achieve full power.	Power reduction is active.	▶ Press the power level selector switch (observe the power level indicator). Switch the power tool off and then on again.
	The extension cord is too long or its gauge is inadequate.	▶ Use an extension cord with an adequate conductor cross section. (1.5 mm ² for lengths up to 40 m; 2.5 mm ² for lengths up to 65 m).
	The voltage provided by the electric supply is too low.	▶ Connect the power tool to a different electric supply.
The chisel cannot be released from the chuck.	The chuck is not pulled back fully.	▶ Pull the chuck back as far as it will go and remove the accessory tool.

9 Disposal

Most of the materials from which **Hilti** tools and appliances are manufactured can be recycled. The materials must be correctly separated before they can be recycled. In many countries, your old tools, machines or appliances can be returned to **Hilti** for recycling. Ask **Hilti Service** or your Hilti representative for further information.



- ▶ Do not dispose of power tools, electronic equipment or batteries as household waste!

10 Manufacturer's warranty

- ▶ Please contact your local **Hilti** representative if you have questions about the warranty conditions.

Mode d'emploi original

1 Indications relatives au mode d'emploi

1.1 À propos de ce mode d'emploi

- Avant de mettre l'appareil en marche, lire impérativement ce mode d'emploi. C'est la condition préalablement requise pour assurer la sécurité du travail et un maniement sans perturbations.
- Bien respecter les consignes de sécurité et les avertissements du présent mode d'emploi ainsi que celles figurant sur le produit.
- Toujours conserver le mode d'emploi à proximité du produit et uniquement transmettre le produit à des tiers accompagné de ce mode d'emploi.

1.2 Explication des symboles

1.2.1 Avertissements

Les avertissements attirent l'attention sur des dangers liés à l'utilisation du produit. Les termes de signalisation suivants sont utilisés :

DANGER

DANGER !

- ▶ Pour un danger imminent qui peut entraîner de graves blessures corporelles ou la mort.



⚠ AVERTISSEMENT

AVERTISSEMENT !

- Pour un danger potentiel qui peut entraîner de graves blessures corporelles ou la mort.

⚠ ATTENTION

ATTENTION !

- Pour une situation potentiellement dangereuse pouvant entraîner des blessures corporelles ou des dégâts matériels.

1.2.2 Symboles dans le manuel d'utilisation

Les symboles suivants sont utilisés dans le présent manuel d'utilisation :

	Respecter le manuel d'utilisation
	Pour des conseils d'utilisation et autres informations utiles
	Maniement des matériaux recyclables
	Ne pas jeter les appareils électriques et les accus dans les ordures ménagères

1.2.3 Symboles dans les illustrations

Les symboles suivants sont utilisés dans les illustrations :

2	Ces chiffres renvoient à l'illustration correspondante au début du présent manuel d'utilisation.
3	La numérotation dans les illustrations indique les étapes de travail importantes ou les composants importants pour les étapes de travail. Dans le texte, ces étapes de travail ou composants sont mis en évidence avec les numéros correspondants, par ex. (3) .
11	Les numéros de position sont utilisés dans l'illustration Vue d'ensemble et renvoient aux numéros des légendes dans la section Vue d'ensemble du produit .
	Ce signe doit inviter à manier le produit en faisant particulièrement attention.

1.3 Symboles spécifiques au produit

1.3.1 Symboles sur le produit

Les symboles suivants sont utilisés sur le produit :

	Indicateur de maintenance
	Sélection de puissance

1.4 Informations produit

Les produits **Hilti** sont destinés aux professionnels et ne doivent être utilisés, entretenus et réparés que par un personnel autorisé et formé. Ce personnel doit être au courant des dangers inhérents à l'utilisation de l'appareil. Le produit et ses accessoires peuvent s'avérer dangereux s'ils sont utilisés de manière incorrecte par un personnel non qualifié ou de manière non conforme à l'usage prévu.

La désignation du modèle et le numéro de série figurent sur sa plaque signalétique.

- Inscrivez le numéro de série dans le tableau suivant. Les informations produit vous sont demandées lorsque vous contactez nos revendeurs ou services après-vente.

Caractéristiques produit

Burineur	TE 800-AVR
Génération	01
N° de série	



1.5 Déclaration de conformité

Nous déclarons sous notre seule et unique responsabilité que le produit décrit ici est conforme aux directives et normes en vigueur. Une copie de l'attestation délivrée par l'organisme de certification se trouve en fin de la présente documentation.

Pour obtenir les documentations techniques, s'adresser à :

Hilti Entwicklungsgesellschaft mbH | Zulassung Geräte | Hiltistraße 6 | 86916 Kaufering, DE

2 Sécurité

2.1 Indications générales de sécurité pour les appareils électriques

⚠ AVERTISSEMENT Lire toutes les consignes de sécurité et instructions, illustrations et caractéristiques techniques, qui accompagnent cet outil électroportatif. Tout manquement à l'observation des instructions suivantes risque de provoquer une électrocution, un incendie et/ou de graves blessures.

Les consignes de sécurité et instructions doivent être intégralement conservées pour les utilisations futures.

La notion d'« outil électroportatif » mentionnée dans les consignes de sécurité se rapporte à des outils électriques raccordés au secteur (avec câble d'alimentation) et à des outils électriques sur accu (sans câble d'alimentation).

Sécurité sur le lieu de travail

- ▶ **Conserver la zone de travail propre et bien éclairée.** Un lieu de travail en désordre ou mal éclairé augmente le risque d'accidents.
- ▶ **Ne pas faire fonctionner les outils électriques en atmosphère explosive et où se trouvent des liquides, des gaz ou poussières inflammables.** Les outils électriques produisent des étincelles qui peuvent enflammer les poussières ou les fumées.
- ▶ **Maintenir les enfants et les personnes présentes à l'écart pendant l'utilisation de l'outil électroportatif.** En cas d'inattention il y a risque de perdre le contrôle de l'appareil.

Sécurité relative au système électrique

- ▶ **La fiche de secteur de l'outil électroportatif doit être adaptée à la prise de courant. Ne jamais modifier la fiche de quelque façon que ce soit. Ne pas utiliser d'adaptateurs avec des outils électriques à branchement de terre.** Des fiches non modifiées et des prises de courant adaptées réduiront le risque de choc électrique.
- ▶ **Éviter le contact physique avec des surfaces mises à la terre tels que tuyaux, radiateurs, cuisinières et réfrigérateurs.** Il y a un risque élevé de choc électrique au cas où votre corps serait relié à la terre.
- ▶ **Ne pas exposer les outils électroportatifs à la pluie ou à l'humidité.** La pénétration d'eau à l'intérieur d'un outil électroportatif augmentera le risque d'un choc électrique.
- ▶ **Ne jamais utiliser le câble de raccordement à d'autres fins que celles prévues, telles que pour porter, accrocher ou débrancher l'outil électroportatif de la prise de courant. Maintenir le câble de raccordement à l'écart de la chaleur, des parties grasses, des bords tranchants ou des parties en mouvement.** Des câbles de raccordement endommagés ou emmêlés augmentent le risque de choc électrique.
- ▶ **Si l'outil électroportatif est utilisé à l'extérieur, utiliser uniquement des câbles de rallonge homologués pour les applications extérieures.** L'utilisation d'un câble de rallonge homologué pour les applications extérieures réduit le risque d'un choc électrique.
- ▶ **Si l'utilisation de l'outil électrique dans un environnement humide ne peut pas être évitée, utiliser un interrupteur de protection contre les courants de court-circuit.** L'utilisation d'un tel interrupteur de protection réduit le risque d'une décharge électrique.

Sécurité des personnes

- ▶ **Rester vigilant, surveiller ce que l'on fait. Faire preuve de bon sens en utilisant l'outil électroportatif. Ne pas utiliser l'outil électroportatif en étant fatigué ou sous l'emprise de l'alcool, de drogues ou de médicaments.** Un moment d'inattention lors de l'utilisation de l'outil électroportatif peut entraîner des blessures graves.
- ▶ **Utiliser un équipement de protection personnel et toujours porter une protection pour les yeux.** Les équipements de protection personnels tels que masque antipoussière, chaussures de sécurité antidérapantes, casque de protection ou protection acoustique suivant l'utilisation de l'outil électroportatif, réduiront le risque de blessures des personnes.
- ▶ **Éviter une mise en service par mégarde. S'assurer que l'outil électroportatif est arrêté avant de le brancher à la source de courant et/ou à l'accu, de le prendre ou de le porter.** Le fait de porter l'outil



électroportatif avec le doigt sur l'interrupteur ou de brancher l'appareil sur la source de courant lorsque l'interrupteur est en position de fonctionnement peut entraîner des accidents.

- ▶ **Retirer tout outil de réglage ou toute clé avant de mettre l'outil électroportatif en fonctionnement.** Une clé ou un outil se trouvant sur une partie en rotation peut causer des blessures.
- ▶ **Adopter une bonne posture. Veiller à toujours garder une position stable et équilibrée.** Cela permet un meilleur contrôle de l'outil électroportatif dans des situations inattendues.
- ▶ **S'habiller de manière adaptée. Ne pas porter de vêtements amples ni de bijoux. Garder les cheveux, les vêtements et les gants à distance des parties en mouvement.** Des vêtements amples, des bijoux ou des cheveux longs peuvent être happés par des parties en mouvement.
- ▶ **Si des dispositifs servant à aspirer ou à recueillir les poussières doivent être utilisés, s'assurer qu'ils sont effectivement raccordés et correctement utilisés.** L'utilisation d'un dispositif d'aspiration de la poussière peut réduire les risques dus aux poussières.
- ▶ **Ne pas sous-estimer les mesures de sécurité à prendre et ne pas ignorer sciemment les règles de sécurité applicables aux outils électriques, même si l'on est utilisateur chevronné après de fréquentes utilisations de l'outil électroportatif.** Un manque d'attention peut conduire à de graves blessures en quelques fractions de seconde.

Utilisation et maniement de l'outil électroportatif

- ▶ **Ne pas forcer l'appareil. Utiliser l'outil électroportatif adapté au travail à effectuer.** Un outil électroportatif approprié réalisera mieux le travail et de manière plus sûre au régime pour lequel il a été conçu.
- ▶ **Ne pas utiliser d'outil électroportatif dont l'interrupteur est défectueux.** Tout outil électroportatif qui ne peut plus être mis en ou hors fonctionnement est dangereux et doit être réparé.
- ▶ **Débrancher la fiche de la prise de courant et/ou l'accu amovible avant d'effectuer des réglages sur l'appareil, de changer les accessoires, ou de ranger l'appareil.** Cette mesure de précaution empêche une mise en fonctionnement par mégarde de l'outil électroportatif.
- ▶ **Conserver les outils électroportatifs non utilisés hors de portée des enfants. Ne permettre l'utilisation de l'appareil à aucune personne qui ne soit pas familiarisée avec celui-ci ou qui n'a pas lu ces instructions.** Les outils électroportatifs sont dangereux lorsqu'ils sont entre les mains de personnes non initiées.
- ▶ **Prendre soin des outils électroportatifs et des accessoires. Vérifier que les parties en mouvement fonctionnent correctement et qu'elles ne sont pas coincées, et contrôler si des parties sont cassées ou endommagées de sorte que le bon fonctionnement de l'outil électroportatif s'en trouve entravé. Faire réparer les parties endommagées avant d'utiliser l'appareil.** De nombreux accidents sont dus à des outils électroportatifs mal entretenus.
- ▶ **Garder les outils de coupe affûtés et propres.** Des outils destinés à couper correctement entretenus avec des arêtes de coupe tranchantes sont moins susceptibles de bloquer et sont plus faciles à contrôler.
- ▶ **L'outil électroportatif, les accessoires, les outils amovibles, etc. doivent être utilisés conformément à ces instructions. Tenir également compte des conditions de travail et du travail à réaliser.** L'utilisation des outils électroportatifs à d'autres fins que celles prévues peut entraîner des situations dangereuses.
- ▶ **Veiller à ce que les poignées et surfaces de préhension soient toujours être sèches, propres et exemptes de traces de graisse ou d'huile.** Avec des poignées et surfaces de préhension glissantes, la sécurité et le contrôle de l'outil électroportatif ne peuvent être assurés dans des situations inopinées.

Service

- ▶ **L'outil électroportatif doit uniquement être réparé par un personnel qualifié, utilisant exclusivement des pièces de rechange d'origine.** Ceci permet d'assurer la sécurité de l'outil électroportatif.

2.2 Indications générales de sécurité applicables aux burineurs

Consignes de sécurité pour tous les travaux

- ▶ **Porter un casque antibruit.** Le bruit peut entraîner des pertes auditives.
- ▶ **Utiliser la poignée supplémentaire livrée avec l'appareil.** La perte de contrôle peut entraîner des blessures.
- ▶ **Tenir l'appareil par les surfaces isolées des poignées lors des travaux pendant lesquels l'accessoire risque de toucher des câbles électriques cachés ou son propre câble d'alimentation réseau.** Le contact avec un câble sous tension risque de mettre les parties métalliques de l'appareil sous tension et de provoquer une décharge électrique.



2.3 Consignes de sécurité supplémentaires spécifiques au burineur

Sécurité des personnes

- ▶ Utiliser le produit et les accessoires uniquement s'ils sont en parfait état.
- ▶ Ne jamais entreprendre de manipulation ni de modification sur le produit ou les accessoires.
- ▶ Lors du burinage de plafonds, de murs et de planchers, veiller à conserver une position sûre et stable. Une percée soudaine peut déséquilibrer l'opérateur !
- ▶ Lors de travaux d'ajourage, protéger l'espace du côté opposé aux travaux. Des morceaux de matériaux risquent d'être éjectés et / ou de tomber, et de blesser d'autres personnes.
- ▶ Pendant l'utilisation, l'utilisateur et toute personne se trouvant à proximité doivent porter des lunettes de protection adéquates, un casque de protection, un casque antibruit et un masque respiratoire léger.
- ▶ Porter des gants de protection pour changer d'outil. Risque de blessures par coupure et de brûlures au contact avec l'outil amovible.
- ▶ Porter des lunettes de protection. Les éclats de matière peuvent entraîner des blessures corporelles et aux yeux.
- ▶ La poussière générée par le meulage, le ponçage, le tronçonnage et le forage peut contenir des produits chimiques dangereux. Par exemple : plomb ou peinture à base de plomb ; brique, béton et autres produits de maçonnerie, pierre naturelle et autres produits contenant des silicates ; certains bois, tels que le chêne, le hêtre et le bois traité chimiquement ; amiante ou matériaux contenant de l'amiante. Déterminer l'exposition de l'opérateur et personnes se trouvant dans l'entourage en fonction de la classe de danger des matériaux traités. Prendre les mesures nécessaires pour maintenir l'exposition à un niveau sûr, par exemple en utilisant un système de collecte des poussières ou en portant une protection respiratoire appropriée. Mesures générales visant à réduire l'exposition :
 - ▶ Travailler dans un endroit bien ventilé
 - ▶ Éviter le contact prolongé avec la poussière
 - ▶ Faire en sorte que la poussière soit dirigée loin du visage et du corps
 - ▶ Porter des vêtements de protection et laver les zones exposées à l'eau et au savon
- ▶ Faire régulièrement des pauses et des exercices pour favoriser l'irrigation sanguine dans les doigts. En cas de travaux prolongés, les fortes vibrations peuvent perturber la circulation dans les vaisseaux sanguins ou le système nerveux dans les doigts, les mains ou le poignet.

Sécurité relative au système électrique

- ▶ Avant d'entamer le travail, vérifier qu'il n'y a pas de câbles ou gaines électriques, tuyaux de gaz ou d'eau cachés dans la zone d'intervention. Les parties métalliques externes du produit peuvent provoquer un choc électrique ou une explosion si vous endommagez une ligne électrique, une conduite de gaz ou une conduite d'eau.

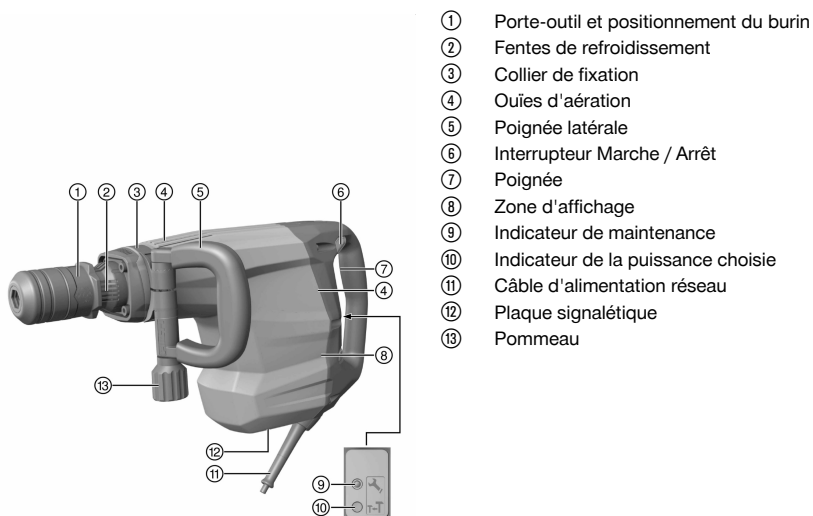
Utilisation et emploi soigneux de l'outil électroportatif

- ▶ Attendre l'arrêt complet du produit avant de le déposer.



3 Description

3.1 Vue d'ensemble du produit



- ① Porte-outil et positionnement du burin
- ② Fentes de refroidissement
- ③ Collier de fixation
- ④ Ouïes d'aération
- ⑤ Poignée latérale
- ⑥ Interrupteur Marche / Arrêt
- ⑦ Poignée
- ⑧ Zone d'affichage
- ⑨ Indicateur de maintenance
- ⑩ Indicateur de la puissance choisie
- ⑪ Câble d'alimentation réseau
- ⑫ Plaque signalétique
- ⑬ Pommeau

3.2 Utilisation conforme à l'usage prévu

Le produit décrit est un burineur électrique équipé d'un mécanisme de frappe électropneumatique. Il est destiné aux travaux de burinage dans la maçonnerie et le béton.

- ▶ L'appareil ne doit fonctionner qu'avec la tension réseau et la fréquence réseau indiquées sur la plaque signalétique.

3.3 Active Vibration Reduction (AVR)

Le burineur est équipé d'un système Active Vibration Reduction (AVR) qui réduit efficacement les vibrations.

3.4 Indicateur de maintenance

Le burineur est doté d'un indicateur de maintenance avec signal lumineux.

État	Signification
L'indicateur de maintenance est allumé.	La durée de fonctionnement pour une maintenance est atteinte. Apporter le produit en temps voulu au S.A.V. Hilti. Il reste toujours prêt à fonctionner.

3.5 Indicateur de la puissance choisie

Le burineur est doté d'un indicateur de la puissance choisie avec signal lumineux.



État	Signification
L'indicateur de la puissance est allumé.	La puissance de burinage est réduite à 70 %. Pour pouvoir à nouveau buriner à pleine puissance, appuyer sur le commutateur de sélection de puissance. Il est seulement possible de régler la puissance de burinage si l'appareil est branché à une alimentation électrique.

3.6 Éléments livrés

Burineur, poignée latérale, mode d'emploi.

D'autres produits système autorisés pour votre produit peuvent être obtenus auprès de **Hilti Store** ou sous : www.hilti.group | États-Unis : www.hilti.com

4 Caractéristiques techniques

4.1 Burineur



Les données de tension nominale, courant nominal, fréquence et / ou consommation nominale figurent sur la plaque signalétique spécifique au pays.

En cas d'utilisation avec un groupe électrogène ou un transformateur, leur puissance d'alimentation doit être au moins égale au double de la puissance indiquée sur la plaque signalétique de l'appareil. La tension de service du groupe électrogène ou du transformateur doit être toujours comprise entre +5 % et -15 % par rapport à la tension nominale de l'appareil.

	TE 800-AVR
Puissance absorbée de référence	1.850 W
Énergie libérée par coup	21 J
Poids	10,6 kg (23,4 lb)

5 Utilisation

5.1 Préparatifs

ATTENTION

Risque de blessures ! Mise en marche inopinée du produit.

- Retirer la fiche de la prise avant d'effectuer des réglages sur l'appareil ou de changer les accessoires.

Bien respecter les consignes de sécurité et les avertissements de la présente documentation ainsi que celles figurant sur le produit.

5.1.1 Montage de la poignée latérale

ATTENTION

Risque de blessures Perte de contrôle du burineur.

- S'assurer que la poignée latérale est bien montée et correctement serrée.

- Monter la poignée latérale.

5.1.2 Changement d'outil amovible

AVERTISSEMENT

Risque de blessures Après utilisation, l'outil peut être très chaud.

- Porter des gants de protection pour changer d'outil.

1. Graisser légèrement l'emmanchement de l'outil amovible.



2. Emmancher l'outil amovible à fond dans le porte-outil jusqu'à ce qu'il s'encliquette.
 - ▶ Le produit est prêt à fonctionner.
3. Retirer le dispositif de verrouillage de l'outil jusqu'à la butée et sortir l'outil amovible.

Utiliser exclusivement de la graisse d'origine **Hilti** d'origine. L'utilisation d'une graisse non appropriée peut engendrer des dommages sur le produit.

5.1.3 Retrait de l'outil

DANGER

Risque d'incendie Danger en cas de contact entre l'appareil chaud et des matériaux facilement inflammables.

- ▶ Ne pas poser l'appareil chaud sur des matériaux facilement inflammables.
-

AVERTISSEMENT

Risque de blessures Après utilisation, l'outil peut être très chaud.

- ▶ Porter des gants de protection pour changer d'outil.
-

- ▶ Retirer l'outil.

5.1.4 Positionnement du burin

ATTENTION

Risque de blessures Perte de contrôle du sens de burinage.

- ▶ Ne pas travailler avec le sélecteur sur la position "Positionnement du burin". Tourner le sélecteur de fonction sur la position "Burinage", jusqu'à ce qu'il s'encliquette.
-

Le burin peut être bloqué dans 6 positions différentes (tous les 60°). Ainsi, que ce soit pour le burinage plat ou profilé, il est toujours possible de travailler dans la position optimale.

- ▶ Mettre l'outil amovible en place. → Page 16

5.1.5 Réglage de la puissance de burinage

1. Appuyer sur le commutateur de sélection de puissance.
 - ▶ L'indicateur de la puissance est allumé en jaune.
 - ▶ La puissance est réduite à 70 %.
-

Pour réaliser un burinage précis, réduire la puissance à 70 %.

Il est seulement possible de régler la puissance de burinage si l'appareil est branché à une alimentation électrique.

2. Pour pouvoir à nouveau buriner à pleine puissance, appuyer sur le commutateur de sélection de puissance.

5.2 Travail

AVERTISSEMENT

Risque d'électrocution ! L'absence de fil de terre et disjoncteur différentiel peut entraîner de graves blessures ou brûlures.

- ▶ Toujours vérifier sur le chantier que le câble d'alimentation électrique, provenant du secteur ou d'un générateur, est bien muni d'un fil de terre et d'un disjoncteur différentiel, et qu'il est effectivement bien raccordé.
 - ▶ Ne pas utiliser ce produit si ces mesures de sécurité n'ont pas été prises.
-



⚠ AVERTISSEMENT

Danger engendré par un câble endommagé ! Si le câble d'alimentation réseau ou de rallonge est endommagé pendant le travail, ne pas le toucher. Débrancher la prise.

- ▶ Contrôler régulièrement les câbles de raccordement de l'appareil et les faire remplacer par un spécialiste s'ils sont endommagés.

Faire confirmer l'ensemble des travaux par le maître d'œuvre !

5.2.1 Burinage

1. Brancher la fiche dans la prise.



Travaux à basses températures : L'appareil nécessite une température de service minimale pour que le mécanisme de frappe fonctionne. Pour l'atteindre, poser un instant l'appareil sur le matériau support et le laisser tourner à vide. Répéter cette étape, si nécessaire, jusqu'à ce que le mécanisme de frappe fonctionne.

2. Poser le burin à environ 80 à 100 mm (3 1/8" - 4") du bord.
3. Pour mettre l'appareil en marche, pousser l'interrupteur Marche / Arrêt vers la droite.
 - ▶ L'interrupteur Marche / Arrêt se bloque dans la position droite.
4. Pour arrêter l'appareil, pousser l'interrupteur Marche / Arrêt vers la gauche.
 - ▶ L'interrupteur Marche / Arrêt se bloque dans la position gauche.



Si la pression d'appui est insuffisante, le burin risque de sortir de sa position. Si la pression d'appui est trop élevée, il y a diminution de la puissance de burinage.

En cas d'armatures métalliques, toujours guider le burin vers le bord du matériel, jamais contre les armatures métalliques.

6 Nettoyage et entretien**⚠ AVERTISSEMENT**

Danger d'électrocution ! Les travaux de nettoyage et d'entretien effectués avec fiche branchée à la prise peuvent entraîner de graves blessures ou brûlures.

- ▶ Toujours retirer la fiche de la prise avant tous travaux de nettoyage et d'entretien !

Nettoyage

- Éliminer prudemment les saletés récalcitrantes.
- Nettoyer les ouïes d'aération avec précaution au moyen d'une brosse sèche.
- Nettoyer le boîtier uniquement avec un chiffon légèrement humidifié. Ne pas utiliser de nettoyants à base de silicone, ceci pourrait attaquer les pièces en plastique.

Entretien**⚠ AVERTISSEMENT**

Risque d'électrocution ! Des réparations inappropriées sur des composants électriques peuvent entraîner de graves blessures corporelles et brûlures.

- ▶ Toute réparation des pièces électriques ne doit être effectuée que par un électricien qualifié.
- Vérifier régulièrement qu'aucune pièce visible n'est endommagée et que les organes de commande sont parfaitement opérationnels.
- En cas d'endommagements et/ou de dysfonctionnements, ne pas utiliser le produit. Le faire immédiatement réparer par le S.A.V. **Hilti**.
- Après des travaux de nettoyage et d'entretien, vérifier si tous les équipements de protection sont bien en place et fonctionnent parfaitement.



Pour une utilisation en toute sécurité, utiliser uniquement des pièces de rechange et consommables d'origine. Vous trouverez les pièces de rechange, consommables et accessoires autorisés convenant pour votre produit dans le centre **Hilti Store** ou sous : www.hilti.group.



7 Transport et entreposage

Transport

- ▶ Ne jamais transporter ce produit avec outil monté.
- ▶ Veiller à le tenir fermement pendant le transport.
- ▶ Vérifier après chaque transport qu'aucune pièce visible n'est endommagée et que les organes de commande sont parfaitement opérationnels.

Stockage

- ▶ Toujours stocker l'appareil avec la fiche secteur débranchée.
- ▶ Stocker cet appareil à l'état sec hors de portée des enfants et des personnes non autorisées.
- ▶ Vérifier après un stockage prolongé qu'aucune pièce visible n'est endommagée et que les organes de commande sont parfaitement opérationnels.

8 Aide au dépannage

En cas de défaillances non énumérées dans ce tableau ou auxquelles il n'est pas possible de remédier sans aide, contacter le S.A.V. **Hilti**.

8.1 Guide de dépannage

Défaillance	Causes possibles	Solution
L'appareil ne se met pas en marche.	Initialisation de l'électronique en cours (jusqu'à 1 seconde env. après le branchement du connecteur) ou dispositif de verrouillage anti-démarrage électronique après une coupure d'alimentation électrique activé.	▶ Ensuite, arrêter puis remettre en marche l'appareil.
	L'alimentation réseau est coupée.	▶ Brancher un autre appareil électrique et vérifier s'il fonctionne.
	Le câble d'alimentation réseau ou le connecteur est défectueux.	▶ Faire vérifier par un électricien et, si nécessaire, remplacer.
	Le variateur électronique de vitesse est défectueux.	▶ Faire contrôler l'appareil par un électricien et, si nécessaire, remplacer les balais de charbon.
	Générateur en mode Veille	▶ Charger le générateur avec un second consommateur (p. ex. lampe de chantier).
L'appareil ne se met pas en marche et l'indicateur de maintenance est allumé d'une lumière rouge.	Balais usés.	▶ Faire vérifier et, si nécessaire, remplacer par un électricien.
	Dommages sur l'appareil.	▶ Faire réparer l'appareil par le S.A.V. Hilti .
Absence de percussion.	L'appareil est trop froid.	▶ Pour amener l'appareil à la température de service, le poser un instant sur le matériau support et le laisser tourner à vide.
	Dommages sur l'appareil.	▶ Faire réparer l'appareil par le S.A.V. Hilti .
L'appareil ne se met pas en marche.	Initialisation de l'électronique en cours (jusqu'à 1 seconde env. après le branchement du connecteur) ou dispositif de verrouillage anti-démarrage électronique après une coupure d'alimentation électrique activé.	▶ Ensuite, arrêter puis remettre en marche l'appareil.
	L'alimentation réseau est coupée.	▶ Brancher un autre appareil électrique et vérifier s'il fonctionne.



Défaillance	Causes possibles	Solution
L'appareil ne se met pas en marche.	Le câble d'alimentation réseau ou le connecteur est défectueux.	► Faire vérifier par un électricien et, si nécessaire, remplacer.
	Le variateur électronique de vitesse est défectueux.	► Faire contrôler l'appareil par un électricien et, si nécessaire, remplacer les balais de charbon.
	Générateur en mode Veille	► Charger le générateur avec un second consommateur (p. ex. lampe de chantier).
L'appareil est en marche et l'indicateur de maintenance est allumé en rouge.	L'indicateur de maintenance est allumé.	► Confier les travaux d'entretien ou de réparation au S.A.V. Hilti .
L'appareil n'atteint pas la pleine puissance.	Réduction de puissance activée.	► Actionner le commutateur de sélection de puissance (surveiller l'indicateur de puissance choisie). Ensuite, arrêter puis remettre en marche l'appareil.
	Câble de rallonge trop long et / ou de section insuffisante.	► Utiliser le câble de rallonge de section suffisante. (de 1,5 mm ² à 40 m ; de 2,5 mm ² jusqu'à 65 m).
	L'alimentation électrique a une tension trop faible.	► Raccorder l'appareil à une autre alimentation électrique.
Le burin ne sort pas du dispositif de verrouillage.	Le mandrin n'est pas complètement ouvert.	► Retirer le dispositif de verrouillage de l'outil jusqu'à la butée et sortir l'outil.

9 Recyclage

Les appareils **Hilti** sont fabriqués pour une grande partie en matériaux recyclables. Le recyclage présuppose un tri adéquat des matériaux. **Hilti** reprend les appareils usagés dans de nombreux pays en vue de leur recyclage. Consulter le service clients **Hilti** ou un conseiller commercial.



- Ne pas jeter les appareils électriques, électroniques et accus dans les ordures ménagères !

10 Garantie constructeur

- En cas de questions sur les conditions de garantie, veuillez vous adresser à votre partenaire **Hilti** local.

Manual de instrucciones original

1 Información sobre el manual de instrucciones

1.1 Acerca de este manual de instrucciones

- Lea detenidamente este manual de instrucciones antes de la puesta en servicio. Ello es imprescindible para un trabajo seguro y un manejo sin problemas.
- Observe las indicaciones y advertencias de seguridad en este manual de instrucciones y en el producto.
- Conserve este manual de instrucciones siempre junto con el producto y entregue el producto a otras personas siempre acompañado de este manual de instrucciones.

1.2 Explicación de símbolos

1.2.1 Avisos

Las advertencias de seguridad advierten de peligros derivados del manejo del producto. Se utilizan las siguientes palabras de peligro:



⚠ PELIGRO

PELIGRO !

- ▶ Término utilizado para un peligro inminente que puede ocasionar lesiones graves o incluso la muerte.

⚠ ADVERTENCIA

ADVERTENCIA !

- ▶ Término utilizado para un posible peligro que puede ocasionar lesiones graves o incluso la muerte.

⚠ PRECAUCIÓN

PRECAUCIÓN !

- ▶ Término utilizado para una posible situación peligrosa que puede ocasionar lesiones o daños materiales.

1.2.2 Símbolos en el manual de instrucciones

En este manual de instrucciones se utilizan los siguientes símbolos:

	Consulte el manual de instrucciones
	Indicaciones de uso y demás información de interés
	Manejo con materiales reutilizables
	No tire las herramientas eléctricas y las baterías junto con los desperdicios domésticos

1.2.3 Símbolos en las figuras

En las figuras se utilizan los siguientes símbolos:

	Estos números hacen referencia a la figura correspondiente incluida al principio de este manual de instrucciones.
	La numeración en las figuras hace referencia a pasos de trabajo importantes o componentes importantes para los pasos de trabajo. Estos pasos de trabajo o componentes se resaltan en el texto mediante los correspondientes números, p. ej., (3) .
	En la figura Vista general se utilizan números de posición y los números de la leyenda están explicados en el apartado Vista general del producto .
	Preste especial atención a este símbolo cuando utilice el producto.

1.3 Símbolos de productos

1.3.1 Símbolos en el producto

En el producto se utilizan los siguientes símbolos:

	Indicador de funcionamiento
	Selector de potencia

1.4 Información del producto

Los productos **Hilti** están diseñados para usuarios profesionales y solo deben ser manejados, conservados y reparados por personal autorizado y debidamente formado. Este personal debe estar especialmente instruido en lo referente a los riesgos de uso. La utilización del producto y sus dispositivos auxiliares puede conllevar riesgos para el usuario en caso de manejarse de forma inadecuada por personal no cualificado o utilizarse para usos diferentes a los que están destinados.

La denominación del modelo y el número de serie están indicados en la placa de identificación.



- Copie el número de serie en la siguiente tabla. Necesitará los datos del producto para realizar consultas a nuestros representantes o al Departamento de Servicio Técnico.

Datos del producto

Martillo rompedor	TE 800-AVR
Generación	01
N.º de serie	

1.5 Declaración de conformidad

Bajo nuestra exclusiva responsabilidad, declaramos que el producto aquí descrito cumple con las directivas y normas vigentes. Encontrará una reproducción del organismo certificador al final de esta documentación. La documentación técnica se encuentra depositada aquí:

Hilti Entwicklungsgesellschaft mbH | Zulassung Geräte | Hiltistraße 6 | 86916 Kaufering, DE

2 Seguridad**2.1 Indicaciones generales de seguridad para herramientas eléctricas**

⚠ ADVERTENCIA Lea con atención todas las indicaciones de seguridad, instrucciones, ilustraciones y datos técnicos correspondientes a esta herramienta eléctrica. La negligencia en el cumplimiento de las instrucciones que se describen a continuación podría provocar descargas eléctricas, incendios o lesiones graves.

Conservar todas las instrucciones e indicaciones de seguridad para futuras consultas.

El término «herramienta eléctrica» empleado en las indicaciones de seguridad se refiere a herramientas eléctricas portátiles, ya sea con cable de red o sin cable, en caso de ser accionadas por batería.

Seguridad en el puesto de trabajo

- **Mantenga su área de trabajo limpia y bien iluminada.** El desorden o una iluminación deficiente de las zonas de trabajo pueden provocar accidentes.
- **No utilice la herramienta eléctrica en un entorno con peligro de explosión en el que se encuentren líquidos, gases o polvos inflamables.** Las herramientas eléctricas producen chispas que pueden llegar a inflamar los materiales en polvo o vapores.
- **Mantenga alejados a los niños y otras personas de su puesto de trabajo al emplear la herramienta eléctrica.** Una distracción le puede hacer perder el control sobre la herramienta.

Seguridad eléctrica

- **El enchufe de la herramienta eléctrica debe corresponder a la toma de corriente utilizada. No se deberá modificar el enchufe en forma alguna. No utilice enchufes adaptadores para las herramientas eléctricas con puesta a tierra.** Los enchufes sin modificar adecuados a las respectivas tomas de corriente reducen el riesgo de descarga eléctrica.
- **Evite el contacto corporal con superficies que tengan puesta a tierra, como pueden ser tubos, calefacciones, cocinas y frigoríficos.** El riesgo a quedar expuesto a una sacudida eléctrica es mayor si su cuerpo tiene contacto con tierra.
- **No exponga las herramientas eléctricas a la lluvia y evite que penetren líquidos en su interior.** El riesgo de recibir descargas eléctricas aumenta si penetra agua en la herramienta eléctrica.
- **No utilice el cable de conexión para transportar o colgar la herramienta eléctrica ni tire de él para extraer el enchufe de la toma de corriente. Mantenga el cable de conexión alejado de fuentes de calor, aceite, aristas afiladas o piezas móviles.** Los cables de conexión dañados o enredados pueden provocar descargas eléctricas.
- **Cuando trabaje al aire libre con una herramienta eléctrica, utilice exclusivamente un alargador adecuado para exteriores.** La utilización de un alargador adecuado para su uso en exteriores evita el riesgo de una descarga eléctrica.
- **Cuando no pueda evitarse el uso de la herramienta eléctrica en un entorno húmedo, utilice un interruptor de corriente de defecto.** La utilización de un interruptor de corriente de defecto evita el riesgo de una descarga eléctrica.

Seguridad de las personas

- **Permanezca atento, preste atención durante el trabajo y utilice la herramienta eléctrica con prudencia. No utilice una herramienta eléctrica si está cansado, ni tampoco después de haber consumido alcohol, drogas o medicamentos.** Un momento de descuido al utilizar la herramienta eléctrica podría producir graves lesiones.



- ▶ **Utilice el equipo de seguridad personal adecuado y lleve siempre gafas protectoras.** El riesgo de lesiones se reduce considerablemente si, según el tipo y la aplicación de la herramienta eléctrica empleada, se utiliza un equipo de seguridad personal adecuado como una mascarilla antipolvo, zapatos de seguridad con suela antideslizante, casco de protección o protección para los oídos.
- ▶ **Evite una puesta en servicio fortuita de la herramienta. Asegúrese de que la herramienta eléctrica está apagada antes de alzarla, transportarla, conectarla a la toma de corriente o insertar la batería.** Si transporta la herramienta eléctrica sujetándola por el interruptor de conexión/desconexión o si introduce el enchufe en la toma de corriente con la herramienta conectada, podría producirse un accidente.
- ▶ **Retire las herramientas de ajuste o llaves fijas antes de conectar la herramienta eléctrica.** Una herramienta o llave colocada en una pieza giratoria puede producir lesiones al ponerse en funcionamiento.
- ▶ **Evite adoptar posturas forzadas. Procure que la postura sea estable y manténgase siempre en equilibrio.** De esta forma podrá controlar mejor la herramienta eléctrica en caso de presentarse una situación inesperada.
- ▶ **Utilice ropa adecuada. No utilice vestimenta amplia ni joyas. Mantenga su pelo, vestimenta y guantes alejados de las piezas móviles.** La vestimenta suelta, las joyas y el pelo largo se pueden enganchar con las piezas en movimiento.
- ▶ **Siempre que sea posible montar equipos de aspiración o captación de polvo, asegúrese de que están conectados y de que se utilizan correctamente.** El uso de un sistema de aspiración de polvo reduce los riesgos derivados del polvo.
- ▶ **No se crea a salvo de cualquier riesgo ni pase por alto ninguna de las normas de seguridad relativas a las herramientas eléctricas, aun cuando esté familiarizado con la herramienta eléctrica y tenga larga experiencia en su uso.** Una actuación negligente puede provocar lesiones graves en cuestión de segundos.

Uso y manejo de la herramienta eléctrica

- ▶ **No sobrecargue la herramienta. Utilice la herramienta eléctrica adecuada para el trabajo que se dispone a realizar.** Con la herramienta eléctrica apropiada podrá trabajar mejor y de modo más seguro dentro del margen de potencia indicado.
- ▶ **No utilice herramientas eléctricas con el interruptor defectuoso.** Las herramientas eléctricas que no se puedan conectar o desconectar son peligrosas y deben repararse.
- ▶ **Extraiga el enchufe de la toma de corriente o retire la batería extraíble antes de efectuar cualquier ajuste en la herramienta, cambiar accesorios o en caso de no utilizar la herramienta durante un tiempo prolongado.** Esta medida preventiva evita el riesgo de arranque accidental de la herramienta eléctrica.
- ▶ **Guarde las herramientas eléctricas que no utilice fuera del alcance de los niños. No permita utilizar la herramienta a ninguna persona que no esté familiarizada con ella o que no haya leído este manual de instrucciones.** Las herramientas eléctricas utilizadas por personas inexpertas son peligrosas.
- ▶ **Cuide su herramienta eléctrica y los accesorios adecuadamente. Compruebe si las piezas móviles de la herramienta funcionan correctamente y sin atascarse, y si existen piezas rotas o deterioradas que pudieran afectar al funcionamiento de la herramienta eléctrica. Encargue la reparación de las piezas defectuosas antes de usar la herramienta eléctrica.** Muchos accidentes son consecuencia de un mantenimiento inadecuado de la herramienta eléctrica.
- ▶ **Mantenga los útiles limpios y afilados.** Las herramientas de corte bien cuidadas y con aristas afiladas se atascan menos y se guían con más facilidad.
- ▶ **Utilice la herramienta eléctrica, los accesorios, útiles de inserción, etc., de acuerdo con estas instrucciones. Para ello, tenga en cuenta las condiciones de trabajo y la tarea que se va a realizar.** El uso de herramientas eléctricas para trabajos diferentes de aquellos para los que han sido concebidas puede resultar peligroso.
- ▶ **Mantenga las empuñaduras y las superficies de contacto secas, limpias y sin residuos de aceite o grasa.** Las empuñaduras y superficies de contacto resbaladizas impiden manejar y controlar la herramienta eléctrica con seguridad en situaciones imprevistas.

Servicio Técnico

- ▶ **Solicite que un profesional lleve a cabo la reparación de su herramienta eléctrica y que utilice exclusivamente piezas de repuesto originales.** Solamente así se garantiza la seguridad de la herramienta eléctrica.

2.2 Indicaciones de seguridad para martillos

Indicaciones de seguridad para todos los trabajos

- ▶ **Utilice protección para los oídos.** El ruido constante puede reducir la capacidad auditiva.



- ▶ **Utilice las empuñaduras adicionales que se suministran con la herramienta.** La pérdida del control puede causar lesiones.
- ▶ **Sujete la herramienta por las empuñaduras aisladas cuando realice trabajos en los que el útil puede entrar en contacto con cables eléctricos ocultos o con el propio cable de la herramienta.** El contacto con los cables conductores puede traspasar la conductividad a las partes metálicas y producir descargas eléctricas.

2.3 Indicaciones de seguridad adicionales para el martillo rompedor

Seguridad de las personas

- ▶ Utilice el producto y los accesorios solo si están en perfecto estado técnico.
- ▶ No efectúe nunca manipulaciones o modificaciones en el producto ni en los accesorios.
- ▶ Al cincelar techos, muros y suelos, mantenga siempre una posición segura y firme. De lo contrario, podría perder el equilibrio al traspasar el material repentinamente.
- ▶ Durante el proceso de taladrado, proteja la zona opuesta al lugar donde se realiza el trabajo, ya que pueden desprenderse cascotes y causar heridas a otras personas.
- ▶ Durante el uso, tanto usted como las personas que se encuentren en las inmediaciones deberán llevar gafas protectoras adecuadas, casco de protección, protección para los oídos y una mascarilla ligera.
- ▶ Utilice guantes de protección para cambiar el útil. El contacto con el útil de inserción puede producir cortes y quemaduras.
- ▶ Utilice protección para los ojos. El material que sale disparado puede ocasionar lesiones en los ojos y en el cuerpo.
- ▶ El polvo que se genera al pulir, lijar, cortar y taladrar puede contener productos químicos peligrosos, como, por ejemplo, plomo o pinturas basadas en plomo; ladrillos, hormigón y otros productos de mampostería, piedra natural y otros productos que contengan silicatos; determinadas maderas, como el roble o el haya o las maderas tratadas químicamente, o amianto o materiales que contengan asbesto. La exposición del usuario y las personas circundantes debe regularse según la clase de peligro de los materiales con los que se trabaje. Tome las medidas necesarias para mantener la exposición a un nivel seguro, p. ej., mediante el uso de un sistema de recogida de polvo o una mascarilla adecuada. Las medidas genéricas para reducir la exposición son, entre otras:
 - ▶ trabajar en un espacio bien ventilado;
 - ▶ evitar el contacto prolongado con el polvo;
 - ▶ desviar el polvo de la cara y el cuerpo;
 - ▶ usar prendas protectoras y lavar con agua y jabón las zonas expuestas.
- ▶ Efectúe a menudo pausas y ejercicios para mejorar la circulación de los dedos. Tras muchas horas de trabajo expuesto a las vibraciones intensas, pueden surgir complicaciones en los vasos sanguíneos o en el sistema nervioso en dedos, manos o articulaciones de las manos.

Seguridad eléctrica

- ▶ Antes de empezar a trabajar, compruebe si la zona de trabajo oculta cables eléctricos, tuberías de gas o cañerías de agua. Las partes metálicas exteriores del producto pueden provocar una descarga eléctrica o una explosión si se daña un cable eléctrico, una tubería de gas o una cañería de agua.

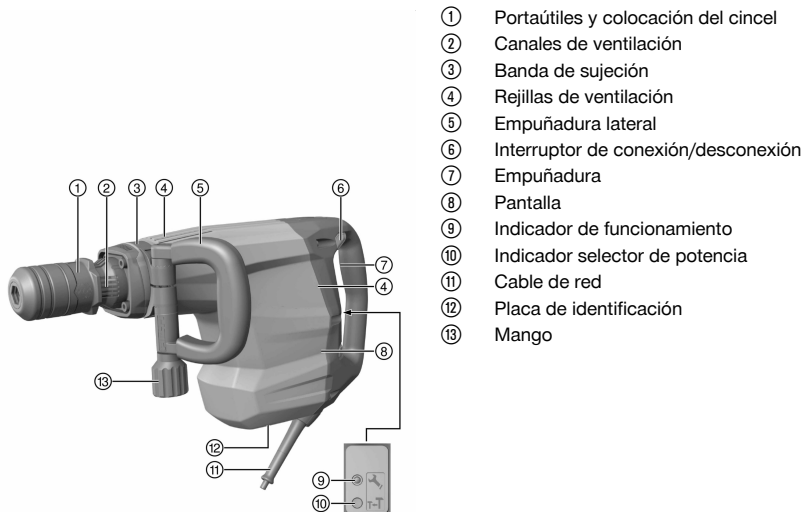
Manipulación y uso responsables de las herramientas eléctricas

- ▶ Espere hasta que el producto se haya detenido antes de dejarlo en ninguna superficie.



3 Descripción

3.1 Vista general del producto



- ① Portaútiles y colocación del cincel
- ② Canales de ventilación
- ③ Banda de sujeción
- ④ Rejillas de ventilación
- ⑤ Empuñadura lateral
- ⑥ Interruptor de conexión/desconexión
- ⑦ Empuñadura
- ⑧ Pantalla
- ⑨ Indicador de funcionamiento
- ⑩ Indicador selector de potencia
- ⑪ Cable de red
- ⑫ Placa de identificación
- ⑬ Mango

3.2 Uso conforme a las prescripciones

El producto descrito es un martillo rompedor accionado eléctricamente con un mecanismo de percusión neumático. Es apropiado para trabajos de cincelado de gran envergadura en hormigón y mampostería.

- ▶ Solo debe funcionar con la frecuencia y tensión de alimentación especificadas en la placa de identificación.

3.3 Active Vibration Reduction (AVR)

El martillo rompedor está equipado con un sistema Active Vibration Reduction (AVR) que reduce mucho las vibraciones.

3.4 Indicador de funcionamiento

El martillo rompedor incorpora un indicador de funcionamiento con señal luminosa.

Estado	Significado
El indicador de funcionamiento se ilumina.	Se ha alcanzado el plazo de funcionamiento de la herramienta hasta la siguiente revisión por parte del Servicio Técnico. Lleve a tiempo el producto al Servicio Técnico de Hilti , así siempre estará a punto.

3.5 Indicador selector de potencia

El martillo rompedor incorpora un indicador selector de potencia con señal luminosa.



Estado	Significado
El indicador selector de potencia se enciende.	La potencia de cincelado se ha reducido al 70 %. Para trabajar con la potencia de cincelado completa, presione de nuevo el interruptor selector de potencia. La potencia de cincelado solo se puede ajustar si la herramienta está conectada a una fuente de alimentación eléctrica.

3.6 Suministro

Martillo rompedor, empuñadura lateral, manual de instrucciones.

Encontrará otros productos del sistema autorizados para su producto en su **Hilti Store** o en Internet, en: www.hilti.group | EE. UU.: www.hilti.com

4 Datos técnicos

4.1 Martillo rompedor

La tensión nominal, la intensidad nominal, la frecuencia y/o la potencia nominal figuran en la placa de identificación específica del país.

Si se utiliza con un generador o transformador, la potencia útil debe ser al menos el doble de la potencia nominal indicada en la placa de identificación de la herramienta. La tensión de servicio del transformador o del generador debe encontrarse en todo momento entre un +5 % y un -15 % de la tensión nominal de la herramienta.

	TE 800-AVR
Potencia nominal	1.850 W
Energía por impacto	21 J
Peso	10,6 kg (23,4 lb)

5 Manejo

5.1 Preparación del trabajo

PRECAUCIÓN

Riesgo de lesiones. Arranque involuntario del producto.

- ▶ Extraiga el enchufe de red antes de realizar ajustes en la herramienta o de cambiar accesorios.

Respete las indicaciones de seguridad y las advertencias presentes en esta documentación y en el producto.

5.1.1 Montaje de la empuñadura lateral

PRECAUCIÓN

Riesgo de lesiones Pérdida del control del martillo rompedor.

- ▶ Asegúrese de que la empuñadura lateral esté correctamente montada y fijada conforme a las prescripciones.

- ▶ Monte la empuñadura lateral.

5.1.2 Cambio del útil de inserción

ADVERTENCIA

Riesgo de lesiones El útil se calienta debido al uso.

- ▶ Utilice guantes de protección para cambiar el útil.

1. Engrase ligeramente el extremo del útil de inserción.



2. Encaje el útil de inserción en el portaútiles introduciéndolo hasta el tope.
 - ▶ El producto está listo para funcionar.
3. Retire el bloqueo del útil hasta el tope y extraiga el útil de inserción.



Utilice únicamente grasa original de **Hilti**. El uso de una grasa inadecuada puede provocar daños en el producto.

5.1.3 Extracción del útil



PELIGRO

Riesgo de incendio Peligro por el contacto de la herramienta caliente con materiales fácilmente inflamables.

- ▶ No deje la herramienta caliente sobre un material fácilmente inflamable.



ADVERTENCIA

Riesgo de lesiones El útil se calienta debido al uso.

- ▶ Utilice guantes de protección para cambiar el útil.
- ▶ Extraiga el útil.

5.1.4 Colocación del cincel



PRECAUCIÓN

Riesgo de lesiones Pérdida de control de la dirección del cincel.

- ▶ No trabaje en la posición «Colocar cincel». Lleve el interruptor selector de funciones a la posición «Cincelar» hasta que encaje.



El cincel cuenta con 6 posiciones de ajuste diferentes (en intervalos de 60°). De ese modo, siempre se adopta la mejor posición en los trabajos con cincel plano y cincel de perfilar.

- ▶ Coloque el útil de inserción. → página 26

5.1.5 Ajuste de la potencia de cincelado

1. Pulse el interruptor selector de potencia.
 - ▶ El indicador selector de potencia se enciende en color amarillo.
 - ▶ La potencia se reduce al 70 %.



Si desea un cincelado preciso, reduzca la potencia al 70 %.



Para poder ajustar la potencia, la herramienta debe estar conectada a una fuente de alimentación eléctrica.

2. Para volver a cincelar con la potencia completa, presione el interruptor selector de potencia.

5.2 Procedimiento de trabajo



ADVERTENCIA

Riesgo de descarga eléctrica. La ausencia de conductores de puesta a tierra e interruptores de corriente de defecto puede causar lesiones y quemaduras graves.

- ▶ Compruebe que la alimentación eléctrica de la obra, ya sea de la red o del generador, dispone de conductores de puesta a tierra e interruptores de corriente de defecto y de que estos están conectados.
- ▶ No ponga en marcha ningún producto si no se cumplen estas medidas de seguridad.



ADVERTENCIA

Peligro por los cables dañados. Si se daña el cable de red o el alargador durante el trabajo, evitar tocar el cable. Extraer el enchufe de red de la toma de corriente.

- ▶ Compruebe con regularidad el cable de conexión de la herramienta y, en caso de que presentara daños, encargue su sustitución a un profesional experto en la materia.



Encargue la autorización de todos los trabajos a la dirección de la obra.

5.2.1 Cincelado

1. Inserte el enchufe de la herramienta en la toma de corriente.



Procedimiento para trabajar a bajas temperaturas: la herramienta requiere una temperatura de funcionamiento mínima para que funcione el mecanismo de percusión. Para alcanzarla, deposite la herramienta sobre la base y deje que marche en vacío durante un breve espacio de tiempo. Repita el proceso las veces que sea necesario hasta que funcione el mecanismo percusor.

2. Coloque el cincel aproximadamente a 80-100 mm (3 $\frac{1}{8}$ "-4") del borde.
3. Para conectar la herramienta, presione y gire el interruptor de conexión y desconexión hacia la derecha.
 - ▶ El interruptor de conexión y desconexión se bloquea en la posición derecha.
4. Para desconectar la herramienta, pulse y gire el interruptor de conexión y desconexión hacia la izquierda.
 - ▶ El interruptor de conexión y desconexión se bloquea en la posición izquierda.



Una presión de apriete demasiado reducida puede provocar que el cincel salte. Una presión de apriete demasiado elevada provoca una disminución de la potencia de cincelado.

En el caso de hierros de armadura, guíe el cincel siempre en dirección al borde del material, no en dirección a los hierros de armadura.

6 Cuidado y mantenimiento



ADVERTENCIA

Peligro de descarga eléctrica. La realización de tareas de cuidado y mantenimiento con el enchufe conectado a la toma de corriente de puede provocar lesiones y quemaduras graves.

- ▶ Extraiga siempre el enchufe de la toma de corriente antes de realizar cualquier tarea de cuidado y mantenimiento.

Cuidado

- Retire con cuidado la suciedad fuertemente adherida.
- Limpie cuidadosamente las rejillas de ventilación con un cepillo seco.
- Limpie la carcasa utilizando únicamente un paño ligeramente humedecido. No utilice limpiadores que contengan silicona, ya que podría afectar a las piezas de plástico.

Mantenimiento



ADVERTENCIA

Riesgo de descarga eléctrica. Las reparaciones indebidas en componentes eléctricos pueden producir lesiones graves y quemaduras.

- ▶ Las reparaciones de la parte eléctrica sólo puede llevarlas a cabo un técnico electricista cualificado.
- Compruebe con regularidad si las piezas visibles están dañadas o si los elementos de manejo funcionan correctamente.
- No utilice el producto si presenta daños o fallos que afecten al funcionamiento. Llévela de inmediato al Servicio Técnico de **Hilti** para que la reparen.
- Coloque todos los dispositivos de protección después de las tareas de cuidado y mantenimiento y compruebe su correcto funcionamiento.



Para garantizar un correcto funcionamiento, utilice exclusivamente piezas de repuesto y material de consumo originales. Puede encontrar piezas de repuesto, consumibles y accesorios para su producto que nosotros mismos comercializamos en **Hilti Store** o en: www.hilti.group.

7 Transporte y almacenamiento

Transporte

- ▶ No transporte este producto con el útil insertado.
- ▶ Asegúrese de que durante el transporte esté bien sujeto.
- ▶ Compruebe tras cada transporte si las piezas visibles están dañadas o si los elementos de manejo funcionan correctamente.



Almacenamiento

- ▶ Almacene este producto siempre con los enchufes desconectados.
- ▶ Guarde este producto en un lugar seco y fuera del alcance de niños y personas no autorizadas.
- ▶ Cuando lleve mucho tiempo almacenado, compruebe si las piezas visibles están dañadas y si los elementos de manejo funcionan correctamente.

8 Ayuda en caso de averías

Si se producen averías que no estén incluidas en esta tabla o que no pueda solucionar usted, diríjase al Servicio Técnico de **Hilti**.

8.1 Localización de averías

Anomalia	Posible causa	Solución
La herramienta no se pone en marcha.	El sistema electrónico se inicia (hasta aprox. 1 segundo tras insertar el enchufe) o el bloqueo de arranque electrónico permanece activo después de una interrupción de la alimentación de corriente.	▶ Desconecte a continuación herramienta y vuelva a conectarla.
	Interrumpido el suministro de corriente.	▶ Conecte otra herramienta eléctrica y compruebe si funciona.
	Cable de red o enchufe defectuosos.	▶ Encargue la revisión a personal técnico cualificado y su sustitución en caso necesario.
	Conmutador de control averiado	▶ Solicite la comprobación de la herramienta a personal técnico cualificado y sustituya el carbón en caso necesario.
	Generador en modo de reposo	▶ Aplique una carga al generador utilizando un segundo consumidor (p. ej., una lámpara de obras).
La herramienta no se pone en marcha y el indicador de funcionamiento se enciende en rojo.	Carbón desgastado.	▶ Encargue la revisión a personal técnico cualificado y su sustitución en caso necesario.
	Existe un fallo en la herramienta.	▶ Encargue la reparación de la herramienta al Servicio Técnico de Hilti .
Sin percusión.	Herramienta demasiado fría.	▶ Coloque la herramienta sobre la base durante un breve espacio de tiempo y deje que gire en vacío para que alcance la temperatura de funcionamiento.
	Existe un fallo en la herramienta.	▶ Encargue la reparación de la herramienta al Servicio Técnico de Hilti .
La herramienta no se pone en marcha.	El sistema electrónico se inicia (hasta aprox. 1 segundo tras insertar el enchufe) o el bloqueo de arranque electrónico permanece activo después de una interrupción de la alimentación de corriente.	▶ Desconecte a continuación herramienta y vuelva a conectarla.
	Interrumpido el suministro de corriente.	▶ Conecte otra herramienta eléctrica y compruebe si funciona.



Anomalia	Posible causa	Solución
La herramienta no se pone en marcha.	Cable de red o enchufe defectuosos.	► Encargue la revisión a personal técnico cualificado y su sustitución en caso necesario.
	Conmutador de control averiado	► Solicite la comprobación de la herramienta a personal técnico cualificado y sustituya el carbón en caso necesario.
	Generador en modo de reposo	► Aplique una carga al generador utilizando un segundo consumidor (p. ej., una lámpara de obras).
Herramienta en marcha e indicador de funcionamiento iluminado en rojo.	El indicador de funcionamiento se ilumina.	► Lleve siempre la herramienta al Servicio Técnico de Hilti para los trabajos de mantenimiento y reparación.
La herramienta no desarrolla toda la potencia.	La reducción de potencia está activada.	► Accione el interruptor selector de potencia (observe el indicador selector de potencia). Desconecte a continuación herramienta y vuelva a conectarla.
	El alargador es demasiado largo o no tiene la sección transversal suficiente.	► Utilice un cable alargador con sección suficiente. (1,5 mm ² a 40 m; 2,5 mm ² a 65 m).
	La alimentación de tensión es muy baja.	► Conecte la herramienta a otra fuente de alimentación de tensión.
El cincel no se puede desbloquear.	El portaútiles no se ha retraído completamente.	► Retire el bloqueo del útil hasta el tope y extraiga el útil.

9 Reciclaje

Las herramientas **Hilti** están fabricadas en su mayor parte con materiales reutilizables. La condición para dicha reutilización es una separación adecuada de los materiales. En muchos países, **Hilti** recoge las herramientas usadas para su recuperación. Pregunte en el Servicio de Atención al Cliente de **Hilti** o a su asesor de ventas.



- No deseche las herramientas eléctricas, los aparatos eléctricos ni las baterías junto con los residuos domésticos.

10 Garantía del fabricante

- Si tiene alguna consulta acerca de las condiciones de la garantía, póngase en contacto con su sucursal local de **Hilti**.

Manual de instruções original

1 Indicações sobre o Manual de instruções

1.1 Relativamente a este Manual de instruções

- Antes da colocação em funcionamento, leia este manual de instruções. Esta é a condição para um trabalho seguro e um manuseamento sem problemas.
- Tenha em atenção as instruções de segurança e as advertências neste Manual de instruções e no produto.



- Guarde o manual de instruções sempre junto do produto e entregue-o a outras pessoas apenas juntamente com este manual de instruções.

1.2 Explicação dos símbolos

1.2.1 Advertências

As advertências alertam para perigos durante a utilização do produto. São utilizadas as seguintes palavras de aviso:

PERIGO

PERIGO !

- ▶ Indica perigo iminente que pode originar acidentes pessoais graves ou até mesmo fatais.

AVISO

AVISO !

- ▶ Indica um possível perigo que pode causar graves ferimentos pessoais, até mesmo fatais.





CUIDADO

CUIDADO !

- ▶ Indica uma situação potencialmente perigosa que pode originar ferimentos corporais ou danos materiais.





1.2.2 Símbolos no manual de instruções

Neste manual de instruções são utilizados os seguintes símbolos:

	Consultar o manual de instruções
	Instruções de utilização e outras informações úteis
	Manuseamento com materiais recicláveis
	Não deitar as ferramentas eléctricas e baterias no lixo doméstico

1.2.3 Símbolos nas figuras

Em figuras são utilizados os seguintes símbolos:

	Estes números remetem para a figura respectiva no início do presente manual de instruções.
	A numeração nas imagens indica passos de trabalho importantes ou componentes importantes para os passos de trabalho. No texto, estes passos de trabalho ou componentes são realçados com os respectivos números, p. ex. (3) .
	Na figura Vista geral são utilizados números de posição que fazem referência aos números da legenda na secção Vista geral do produto .
	Este símbolo pretende despertar a sua atenção durante o manuseamento do produto.

1.3 Símbolos dependentes do produto

1.3.1 Símbolos no produto

No produto são utilizados os seguintes símbolos:

	Indicador de manutenção
	Seleção do nível de potência

1.4 Dados informativos sobre o produto

Os produtos **Hilti** foram concebidos para uso profissional e só devem ser utilizados, mantidos e reparados por pessoal autorizado e devidamente credenciado. Este pessoal deverá estar informado, em particular,



sobre os potenciais perigos. O produto e seu equipamento auxiliar podem representar perigo se usados incorrectamente por pessoas não qualificadas ou se usados para fins diferentes daqueles para os quais foram concebidos.

A designação e o número de série são indicados na placa de características.

- ▶ Registe o número de série na tabela seguinte. Os dados do produto são necessários para colocar questões ao nosso representante ou posto de serviço de atendimento aos clientes.

Dados do produto

Martelo demolidor	TE 800-AVR
Geração	01
N.º de série	

1.5 Declaração de conformidade

Declaramos sob nossa exclusiva responsabilidade que o produto aqui descrito está em conformidade com as directivas e normas em vigor. Na parte final desta documentação encontra uma reprodução do organismo de certificação.

As documentações técnicas estão aqui guardadas:

Hilti Entwicklungsgesellschaft mbH | Zulassung Geräte | Hiltistraße 6 | 86916 Kaufering, DE

2 Segurança

2.1 Normas de segurança gerais para ferramentas eléctricas

⚠ AVISO Leia todas as normas de segurança, instruções, imagens e dados técnicos, com os quais esta ferramenta eléctrica está equipada. O não cumprimento das instruções a seguir pode resultar em choque eléctrico, incêndio e/ou ferimentos graves.

Guarde bem todas as normas de segurança e instruções para futura referência.

O termo “ferramenta eléctrica” utilizado nas normas de segurança refere-se a ferramentas com ligação à corrente eléctrica (com cabo de alimentação) ou a ferramentas a bateria (sem cabo).

Segurança no posto de trabalho

- ▶ **Mantenha a sua área de trabalho limpa e bem iluminada.** Locais desarrumados ou mal iluminados podem ocasionar acidentes.
- ▶ **Não utilize a ferramenta eléctrica em ambientes explosivos ou na proximidade de líquidos ou gases inflamáveis.** Ferramentas eléctricas produzem faíscas que podem provocar a ignição de pó e vapores.
- ▶ **Mantenha crianças e terceiros afastados durante os trabalhos.** Distacções podem conduzir à perda de controlo sobre a ferramenta.

Segurança eléctrica

- ▶ **A ficha da ferramenta eléctrica deve servir na tomada. A ficha não deve ser modificada de modo algum. Não utilize quaisquer adaptadores com ferramentas eléctricas com ligação terra.** Fichas originais (não modificadas) e tomadas adequadas reduzem o risco de choque eléctrico.
- ▶ **Evite o contacto do corpo com superfícies ligadas à terra, como, por exemplo, canos, radiadores, fogões e frigoríficos.** Existe um risco elevado de choque eléctrico se o corpo estiver com ligação à terra.
- ▶ **As ferramentas eléctricas não devem ser expostas à chuva nem à humidade.** A infiltração de água numa ferramenta eléctrica aumenta o risco de choque eléctrico.
- ▶ **Não use o cabo de ligação para transportar, pendurar ou desligar a ferramenta eléctrica da tomada. Mantenha o cabo de ligação afastado de calor, óleo, arestas vivas ou partes em movimento.** Cabos de ligação danificados ou emaranhados aumentam o risco de choque eléctrico.
- ▶ **Quando operar uma ferramenta eléctrica ao ar livre, utilize apenas cabos de extensão próprios para utilização no exterior.** A utilização de um cabo de extensão próprio para utilização no exterior reduz o risco de choques eléctricos.
- ▶ **Utilize um disjuntor diferencial se não puder ser evitada a utilização da ferramenta eléctrica em ambiente húmido.** A utilização de um disjuntor diferencial reduz o risco de choque eléctrico.

Segurança física

- ▶ **Esteja alerta, observe o que está a fazer, e tenha prudência ao trabalhar com uma ferramenta eléctrica. Se estiver cansado ou sob influência de drogas, álcool ou medicamentos não efectue nenhum trabalho com ferramentas eléctricas.** Um momento de distracção ao operar a ferramenta eléctrica pode causar ferimentos graves.



- ▶ **Use equipamento de segurança. Use sempre óculos de protecção.** Equipamento de segurança, como, por exemplo, máscara antipoeiras, sapatos de segurança antiderrapantes, capacete de segurança ou protecção auricular, de acordo com o tipo e aplicação da ferramenta eléctrica, reduzem o risco de lesões.
- ▶ **Evite um arranque involuntário. Assegure-se de que a ferramenta eléctrica está desligada antes de a ligar à fonte de alimentação e/ou à bateria, pegar nela ou a transportar.** Transportar a ferramenta eléctrica com o dedo no interruptor ou ligar uma ferramenta à tomada com o interruptor ligado (ON) pode resultar em acidentes.
- ▶ **Remova quaisquer chaves de ajuste (chaves de fenda), antes de ligar a ferramenta eléctrica.** Um acessório ou chave deixado preso numa parte rotativa da ferramenta pode causar ferimentos.
- ▶ **Evite posturas corporais desfavoráveis. Mantenha sempre uma posição correcta, em perfeito equilíbrio.** Desta forma será mais fácil manter o controlo sobre a ferramenta eléctrica em situações inesperadas.
- ▶ **Use roupa apropriada. Não use roupa larga ou jóias. Mantenha o cabelo, vestuário e luvas afastados das peças móveis.** Roupas largas, jóias ou cabelos compridos podem ficar presos nas peças móveis.
- ▶ **Se poderem ser montados sistemas de remoção e de recolha de pó, assegure-se de que estes estão ligados e são utilizados correctamente.** A utilização de um sistema de remoção de pó pode reduzir os perigos relacionados com a exposição ao mesmo.
- ▶ **Não se acomode numa falsa sensação de segurança e não ignore os regulamentos de segurança para ferramentas eléctricas, mesmo se estiver familiarizado com a ferramenta eléctrica após numerosas utilizações.** Agir de forma descuidada pode causar ferimentos graves dentro duma fracção de segundo.

Utilização e manuseamento da ferramenta eléctrica

- ▶ **Não sobrecarregue a ferramenta. Use para o seu trabalho a ferramenta eléctrica correcta.** Com a ferramenta eléctrica adequada obterá maior eficiência e segurança se respeitar os seus limites.
- ▶ **Não utilize a ferramenta eléctrica se o interruptor estiver defeituoso.** Uma ferramenta eléctrica que já não possa ser accionada pelo interruptor é perigosa e deve ser reparada.
- ▶ **Retire a ficha da tomada e/ou remova uma bateria amovível antes de efectuar ajustes na ferramenta, substituir acessórios ou guardar a ferramenta.** Esta medida preventiva evita o accionamento accidental da ferramenta eléctrica.
- ▶ **Guarde ferramentas eléctricas não utilizadas fora do alcance das crianças. Não permita que a ferramenta seja utilizada por pessoas não familiarizadas com a mesma ou que não tenham lido estas instruções.** Ferramentas eléctricas operadas por pessoas não treinadas são perigosas.
- ▶ **Faça uma manutenção regular de ferramentas eléctricas e acessórios. Verifique se as partes móveis funcionam perfeitamente e não emperram ou se há peças quebradas ou danificadas que possam influenciar o funcionamento da ferramenta eléctrica. Peças danificadas devem ser reparadas antes da utilização da ferramenta.** Muitos acidentes são causados por ferramentas eléctricas com manutenção deficiente.
- ▶ **Mantenha as ferramentas de corte sempre afiadas e limpas.** Acessórios com gumes afiados tratados correctamente emperram menos e são mais fáceis de controlar.
- ▶ **Utilize a ferramenta eléctrica, acessórios, bits, etc., de acordo com estas instruções. Tome também em consideração as condições de trabalho e o trabalho a ser efectuado.** A utilização da ferramenta eléctrica para outros fins além dos previstos, pode ocasionar situações de perigo.
- ▶ **Mantenha punhos e respectivas superfícies secos, limpos e isentos de óleo e gordura.** Punhos e superfícies afins escorregadios não permitem um manuseamento e controlo seguro da ferramenta eléctrica em situações imprevistas.

Manutenção

- ▶ **A sua ferramenta eléctrica só deve ser reparada por pessoal qualificado e só devem ser utilizadas peças sobressalentes originais.** Isto assegurará que a segurança da ferramenta eléctrica se mantenha.

2.2 Normas de segurança para martelos

Indicações de segurança para todos os trabalhos

- ▶ **Use protecção auricular.** Ruído em excesso pode levar à perda de audição.
- ▶ **Utilize os punhos auxiliares fornecidos com a ferramenta.** A perda de controlo da ferramenta pode causar ferimentos.
- ▶ **Segure a ferramenta pelas áreas isoladas dos punhos, quando executar trabalhos onde o acessório pode encontrar cabos eléctricos encobertos ou o próprio cabo de rede.** O contacto com um cabo



sob tensão também pode colocar partes metálicas da ferramenta sob tensão e causar um choque eléctrico.

2.3 Normas de segurança adicionais para martelo demolidor

Segurança física

- ▶ Utilize o produto e os acessórios somente se estiverem em perfeitas condições técnicas.
- ▶ Nunca efectue quaisquer manipulações ou modificações no produto ou nos acessórios.
- ▶ Ao cinzelar tectos, paredes e pavimentos garanta uma posição de trabalho firme e segura. Um atravessamento repentino poderá levar à perda do equilíbrio!
- ▶ Ao realizar trabalhos de perfuração, vede a área que se encontra do lado oposto dos trabalhos. Restos de demolição podem desprender-se e/ou cair e ferir outras pessoas.
- ▶ Durante a utilização, o utilizador e restantes pessoas que se encontrem na proximidade da ferramenta devem usar óculos de protecção, capacete de segurança, protecção auricular e uma leve máscara de protecção respiratória.
- ▶ Use luvas de protecção durante a substituição de acessórios. Tocar no acessório pode causar ferimentos por corte e queimaduras.
- ▶ Utilize óculos de protecção. Os estilhaços podem provocar ferimentos corporais, nomeadamente nos olhos.
- ▶ Pó produzido ao rectificar, lixar, cortar e furar pode conter produtos químicos perigosos. Alguns exemplos são: Chumbo ou tintas à base de chumbo; Tijolo, betão e outros produtos de alvenaria, pedra natural e outros produtos que contenham silicatos; Determinadas madeiras, como carvalho, faia e madeira tratada quimicamente; Amianto ou materiais contendo amianto. Determine a exposição do operador e das pessoas que se encontrem nas proximidades através da classe de perigo dos materiais a serem trabalhados. Tome as medidas necessárias para manter a exposição a um nível seguro como, por ex., a utilização de um sistema colector de pó ou o uso de uma protecção respiratória adequada. As medidas gerais para redução da exposição incluem:
 - ▶ Trabalhar num local bem ventilado,
 - ▶ Evitar o contacto prolongado com pó,
 - ▶ Afastar o pó do rosto e do corpo,
 - ▶ Usar roupa de protecção e lavar áreas expostas com água e sabão.
- ▶ Faça frequentemente pausas e exercícios para melhorar a circulação sanguínea nos dedos. Os trabalhos mais longos, devido às intensas vibrações, podem causar distúrbios nos vasos sanguíneos ou no sistema nervoso dos dedos, mãos ou pulsos.

Segurança eléctrica

- ▶ Antes de iniciar os trabalhos, verifique o local de trabalho relativamente a cabos eléctricos encobertos, bem como tubos de gás e água. Partes metálicas externas do produto podem causar um choque eléctrico ou uma explosão se, inadvertidamente, danificarem uma linha eléctrica, um cano de gás ou de água.

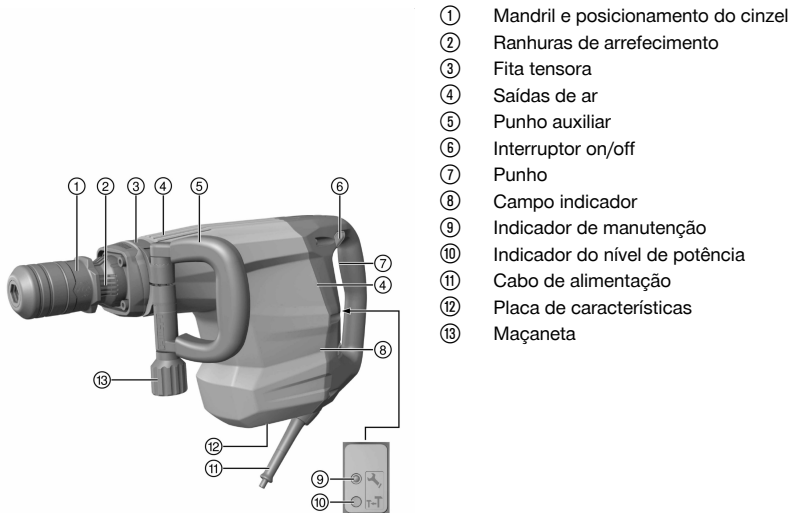
Utilização e manutenção de ferramentas eléctricas

- ▶ Aguarde até que o produto esteja parado, antes de o pousar.



3 Descrição

3.1 Vista geral do produto



3.2 Utilização correcta

O produto descrito é um martelo demolidor eléctrico com mecanismo electropneumático de percussão. Está concebido para trabalhos de cinzelamento pesados em alvenaria e betão.

- Certifique-se de que a corrente eléctrica à qual a ferramenta é ligada está de acordo com a mencionada na placa de características.

3.3 Active Vibration Reduction (AVR)

O martelo demolidor está equipado com um sistema Active Vibration Reduction (AVR) que reduz muito a vibração.

3.4 Indicador de manutenção

O martelo demolidor está equipado com um indicador de manutenção com sinal luminoso.

Estado	Significado
Indicador de manutenção acende.	Foi atingido o tempo de trabalho predeterminado e requer-se agora uma manutenção. Leve o produto atempadamente ao Centro de Assistência Técnica Hilti . Deste modo permanece sempre pronto para funcionar.

3.5 Indicador do nível de potência

O martelo demolidor está equipado com um indicador do nível de potência com sinal luminoso.



Estado	Significado
Indicador do nível de potência acende.	A capacidade de cinzelamento está reduzida a 70%. Para a capacidade de cinzelamento plena, pressione novamente o selector do nível de potência. Só quando a ferramenta está ligada a uma alimentação eléctrica é que pode ajustar a capacidade de cinzelamento.

3.6 Incluído no fornecimento

Martelo demolidor, punho auxiliar, manual de instruções.

Poderá encontrar outros produtos de sistema aprovados para o seu produto no seu **Hilti Store** ou em: www.hilti.group | EUA: www.hilti.com

4 Características técnicas

4.1 Martelo demolidor



Consulte a tensão nominal, corrente nominal, frequência e/ou potência nominal na sua placa de características específica do país.

Em caso de alimentação por um gerador ou transformador, a respectiva potência de saída deverá ter, no mínimo, o dobro da potência nominal indicada na placa de características da ferramenta. A tensão de serviço do transformador ou gerador deverá encontrar-se sempre entre +5% e -15% da tensão nominal da ferramenta.

	TE 800-AVR
Potência nominal	1 850 W
Energia de impacto	21 J
Peso	10,6 kg (23,4 lb)

5 Utilização

5.1 Preparação do local de trabalho

CUIDADO

Risco de ferimentos! Arranque inadvertido do produto.

- ▶ Retire a ficha antes de efectuar ajustes na ferramenta ou substituir acessórios.

Tenha em atenção as instruções de segurança e as advertências nesta documentação e no produto.

5.1.1 Montagem do punho auxiliar

CUIDADO

Risco de ferimentos Perda do controlo sobre o martelo demolidor.

- ▶ Certifique-se de que o punho auxiliar está correctamente montado e devidamente apertado.

- ▶ Monte o punho auxiliar.

5.1.2 Substituir o acessório

AVISO


Risco de ferimentos O acessório fica quente após utilização prolongada.

- ▶ Use luvas de protecção quando substituir os acessórios.

1. Lubrifique ligeiramente o encabadouro do acessório.
2. Encaixe o acessório até ao encosto no porta-ferramentas e deixe-o engatar.
 - ▶ O produto está operacional.



3. Puxe o bloqueio da ferramenta para trás, até ao batente, e retire o acessório.

 Utilize apenas massa lubrificante original da **Hilti**. A utilização de uma massa lubrificante não adequada pode provocar danos no produto.

5.1.3 Retirar o acessório

PERIGO

Perigo de incêndio Perigo em caso de contacto entre o acessório quente e materiais facilmente inflamáveis.

- ▶ Não pouse o acessório ainda quente sobre materiais facilmente inflamáveis.

AVISO

Risco de ferimentos O acessório fica quente após utilização prolongada.

- ▶ Use luvas de protecção quando substituir os acessórios.

- ▶ Retire o acessório.

5.1.4 Posicionar o cinzel

CUIDADO

Risco de ferimentos Perda do controlo sobre a direcção de cinzelamento.

- ▶ Não trabalhe na posição "Posicionar cinzel". Coloque o selector de funções na posição "Cinzelar", até engatar.



O cinzel pode ser fixo em 6 posições diferentes (em incrementos de 60°). Assim, tanto os cinzéis planos como os cinzéis côncavos podem ser ajustados na posição ideal para o trabalho em causa.

- ▶ Insira o acessório. → Página 36

5.1.5 Ajustar a capacidade de cinzelamento

1. Pressione o selector do nível de potência.
 - ▶ O indicador do nível de potência acende a amarelo.
 - ▶ A capacidade de cinzelamento é reduzida para 70%.



Quando quiser cinzelar de forma precisa, reduza a potência para 70%.



Para poder ajustar a potência, a ferramenta tem de estar ligada a uma alimentação eléctrica.

2. Para voltar a cinzelar com plena potência, pressione o selector do nível de potência.

5.2 Trabalhar

AVISO

Perigo devido a choque eléctrico! Condutores de terra e disjuntores diferenciais em falta podem provocar ferimentos graves e queimaduras.

- ▶ Verifique que na linha de alimentação eléctrica do lado da obra, quer da rede ou do gerador, existem e estão conectados sempre condutores de terra e disjuntores diferenciais.
- ▶ Não coloque um produto em funcionamento sem estas medidas de segurança.

AVISO

Perigo devido a cabo danificado! Se danificar o cabo enquanto trabalha, não lhe toque e desligue o aparelho imediatamente. Retire a ficha de rede da tomada.

- ▶ Verifique o cabo eléctrico regularmente. Se danificado, deve ser imediatamente substituído por um especialista.

Solicite que o engenheiro ou arquitecto da obra autorize todos os trabalhos a realizar!



5.2.1 Cinzelar 5

1. Ligue a ficha de rede à tomada.



Quando trabalhar em locais com baixas temperaturas: O mecanismo de percussão só funciona quando a máquina atinge uma temperatura de funcionamento mínima. Para a atingir, coloque a ferramenta em contacto com o material base e deixe-a trabalhar em vazio. Se necessário, repita este procedimento até que o mecanismo de percussão funcione.

2. Coloque o cinzel aprox. 80 mm a 100 mm (3 1/8" a 4") do rebordo.
3. Para ligar a ferramenta, pressione o interruptor on/off para a direita.
 - ▶ O interruptor on/off está bloqueado na posição direita.
4. Para desligar a ferramenta, pressione o interruptor on/off para a esquerda.
 - ▶ O interruptor on/off está bloqueado na posição esquerda.



Uma pressão de encosto insuficiente faz com que o cinzel salte. Uma pressão de encosto excessiva reduz a capacidade de cinzelamento.

No caso de ferros da armadura, conduza o cinzel sempre contra o rebordo do material, não contra o ferro da armadura.

6 Conservação e manutenção



AVISO

Perigo devido a choque eléctrico! A conservação e manutenção com a ficha de ligação inserida pode originar ferimentos graves e queimaduras.

- ▶ Retirar sempre a ficha de ligação antes de todos os trabalhos de conservação e manutenção!

Conservação

- Remover a sujidade persistente com cuidado.
- Limpe as saídas de ar cuidadosamente com uma escova seca.
- Limpar a carcaça apenas com um pano ligeiramente humedecido. Não utilizar produtos de conservação que contenham silicone, uma vez que estes poderiam danificar os componentes de plástico.

Manutenção



AVISO

Perigo devido a choque eléctrico! Reparações incorrectas em peças eléctricas podem causar ferimentos e queimaduras graves.

- ▶ As reparações na parte eléctrica apenas podem ser executadas por um electricista especializado.
- Verificar, regularmente, todos os componentes visíveis quanto a danos e os comandos operativos quanto a funcionamento perfeito.
- Em caso de danos e/ou perturbações de funcionamento, não operar o produto. Mandar reparar de imediato pelo Centro de Assistência Técnica **Hilti**.
- Após os trabalhos de conservação e manutenção, aplicar todos os dispositivos de protecção e verificar o respectivo funcionamento.



Para um funcionamento seguro, utilize apenas peças sobresselentes e consumíveis originais. Poderá encontrar peças sobresselentes, consumíveis e acessórios aprovados por nós para o seu produto no seu **Hilti Store** ou em: **www.hilti.group**.

7 Transporte e armazenamento

Transporte

- ▶ Não transporte este produto com a ferramenta inserida.
- ▶ Certificar-se de que está bem apertado durante o transporte.
- ▶ Após cada transporte, verifique todos os componentes visíveis quanto a danos e os comandos operativos quanto a funcionamento perfeito.

Armazenamento

- ▶ Armazene este produto sempre com a ficha de rede retirada.
- ▶ Guarde este produto num local seco e fora do alcance das crianças e pessoas não autorizadas.



- ▶ Após um armazenamento prolongado, verifique todos os componentes visíveis quanto a danos e os comandos operativos quanto a funcionamento perfeito.

8 Ajuda em caso de avarias

No caso de avarias que não sejam mencionadas nesta tabela ou se não conseguir resolvê-las por si mesmo, contacte o nosso Centro de Assistência Técnica **Hilti**.

8.1 Localização de avarias

Avaria	Causa possível	Solução
A ferramenta não arranca.	Inicialização da parte electrónica (isto leva até cerca de 1 segundo após introdução da ficha na tomada) ou bloqueio electrónico activado após interrupção de corrente.	▶ Em seguida, desligue a ferramenta e volte a ligá-la.
	Não recebe corrente eléctrica.	▶ Insira outra ferramenta eléctrica e verifique o funcionamento.
	Cabo de alimentação ou ficha com defeito.	▶ Mandar verificar e, se necessário, substituir por um electricista especializado.
	Interruptor avariado.	▶ Mande verificar a ferramenta por um electricista especializado e, se necessário substitua as escovas de carvão.
	Gerador em "Sleep Mode"	▶ Aplique uma carga ao gerador, conectando um outro consumidor (p. ex., uma lâmpada).
A ferramenta não arranca e o indicador de manutenção acende a vermelho.	As escovas de carvão estão gastas.	▶ Mandar verificar e, se necessário, substituir por um electricista especializado.
	Avaria na ferramenta.	▶ Mande reparar a ferramenta num Centro de Assistência Técnica Hilti .
Não tem percussão.	Ferramenta demasiado fria.	▶ Coloque a ferramenta em contacto com o material base durante alguns instantes e deixe-a trabalhar em vazio para que atinja a temperatura de funcionamento.
	Avaria na ferramenta.	▶ Mande reparar a ferramenta num Centro de Assistência Técnica Hilti .
A ferramenta não arranca.	Inicialização da parte electrónica (isto leva até cerca de 1 segundo após introdução da ficha na tomada) ou bloqueio electrónico activado após interrupção de corrente.	▶ Em seguida, desligue a ferramenta e volte a ligá-la.
	Não recebe corrente eléctrica.	▶ Insira outra ferramenta eléctrica e verifique o funcionamento.
	Cabo de alimentação ou ficha com defeito.	▶ Mandar verificar e, se necessário, substituir por um electricista especializado.
	Interruptor avariado.	▶ Mande verificar a ferramenta por um electricista especializado e, se necessário substitua as escovas de carvão.



Avaria	Causa possível	Solução
A ferramenta não arranca.	Gerador em "Sleep Mode"	▶ Aplique uma carga ao gerador, conectando um outro consumidor (p. ex., uma lâmpada).
A ferramenta arranca e o indicador de manutenção acende a vermelho.	Indicador de manutenção acende.	▶ Deixe que a manutenção ou reparação seja realizada pelo Centro de Assistência Técnica Hilti .
Fraca performance da ferramenta.	Redução da capacidade activada.	▶ Selector do nível de potência accionado (prestar atenção ao indicador do nível de potência). Em seguida, desligue a ferramenta e volte a ligá-la.
	Extensão de cabo demasiado comprida e/ou com secção inadequada.	▶ Utilize extensões de cabo com secção permitida. (1,5 mm ² até 40 m; 2,5 mm ² , até 65 m).
	A tensão fornecida pela rede de alimentação é demasiado baixa.	▶ Ligue a ferramenta a uma outra fonte de alimentação.
Não é possível soltar o cinzel do bloqueio.	O mandril não está completamente puxado para trás.	▶ Puxe o bloqueio da ferramenta para trás, até ao encosto, e retire a ferramenta.

9 Reciclagem

As ferramentas **Hilti** são, em grande parte, fabricadas com materiais recicláveis. Um pré-requisito para a reciclagem é que esses materiais sejam devidamente separados. Em muitos países, a **Hilti** aceita a sua ferramenta usada para reutilização. Para mais informações dirija-se ao Serviço de Clientes **Hilti** ou ao seu vendedor.



- ▶ Não deite as ferramentas eléctricas, aparelhos electrónicos e baterias no lixo doméstico!

10 Garantia do fabricante

- ▶ Se tiver dúvidas em relação às condições de garantia, contacte o seu parceiro **Hilti** local.



This Product is Certified
Ce produit est homologué
Producto homologado por
Este producto está registrado





Hilti Corporation
LI-9494 Schaan
Tel.:+423 234 21 11
Fax:+423 234 29 65
www.hilti.com



2064796