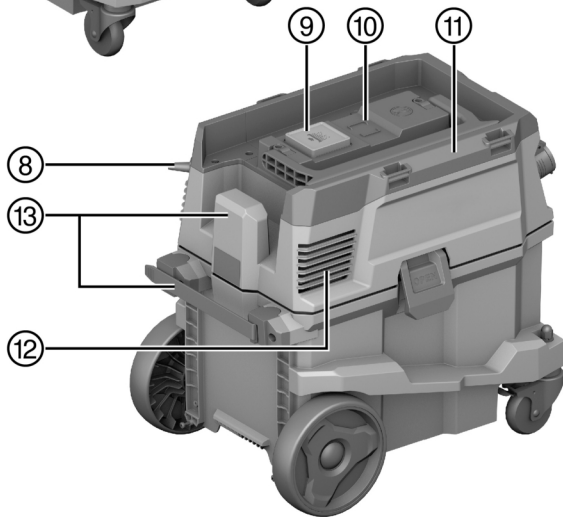
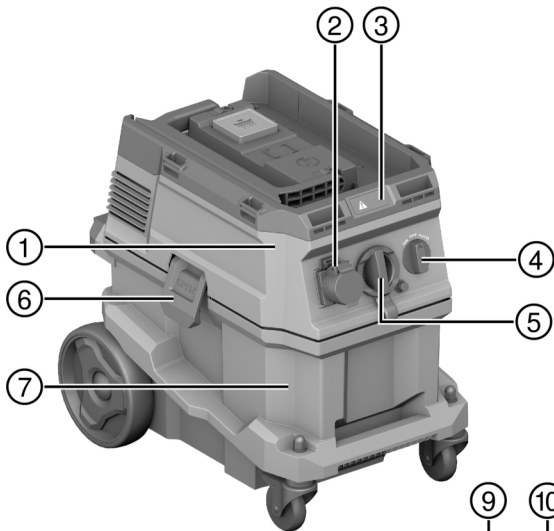


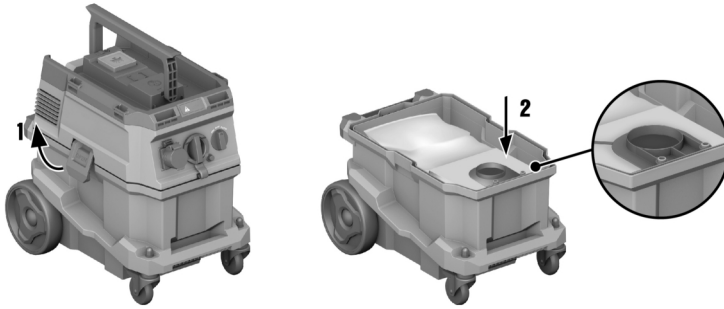


VC 5L  
VC 5M

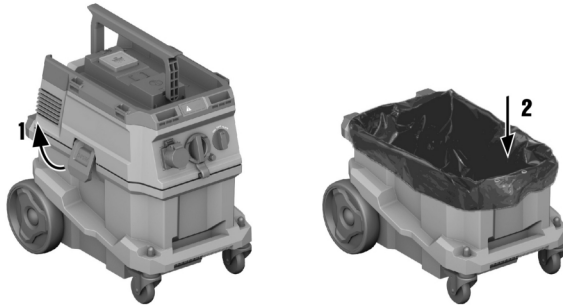
English	1
Русский	13
Қазақ	27
日本語	40
한국어	51
繁體中文	63
中文	74
عربي	85
עברית	98



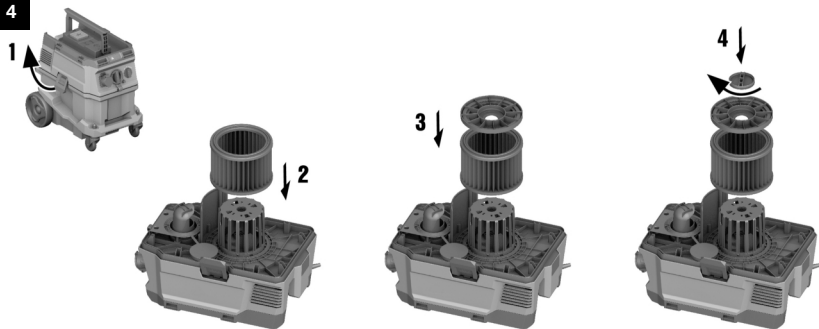
2



3



4



# VC 5L

# VC 5M

en	Original operating instructions	1
ru	Перевод оригинального руководства по эксплуатации	13
kk	Түпнұсқа пайдалану бойынша нұсқаулық	27
ja	オリジナル取扱説明書	40
ko	오리지널 사용 설명서	51
zh	原始操作說明	63
cn	原版操作说明	74
ar	دليل الاستعمال الأصلي	85
he	הוראות הפעלה מקוריות	98

# Original operating instructions

## 1 Information about the operating instructions

### 1.1 About these operating instructions

- Read these operating instructions before the product is used or operated for the first time. This is a prerequisite for safe, trouble-free handling and use of the product.
- Observe the safety instructions and warnings in these operating instructions and on the product.
- Always keep the operating instructions with the product and make sure that the product is accompanied by these operating instructions only, when the product is given to other persons.

### 1.2 Explanation of symbols

#### 1.2.1 Warnings

Warnings alert persons to hazards that occur when handling or using the product. The following signal words are used:

#### **DANGER**

##### **DANGER !**

- ▶ Draws attention to imminent danger that will lead to serious personal injury or fatality.

#### **WARNING**

##### **WARNING !**

- ▶ Draws attention to a potential threat of danger that can lead to serious injury or fatality.






#### **CAUTION**

##### **CAUTION !**

- ▶ Draws attention to a potentially dangerous situation that could lead to personal injury or damage to the equipment or other property.





#### 1.2.2 Symbols in the documentation

The following symbols are used in our documentation:

	Read the operating instructions before use
	Caution
	Instructions for use and other useful information
	Dealing with recyclable materials
	Do not dispose of electric equipment and batteries as household waste

#### 1.2.3 Symbols in the illustrations

The following symbols are used in our illustrations:

	These numbers refer to the corresponding illustrations found at the beginning of these operating instructions
	The numbering reflects the sequence of operations shown in the illustrations and may deviate from the steps described in the text
	Item reference numbers are used in the <b>overview illustrations</b> and refer to the numbers used in the <b>Product overview</b> section
	This symbol is intended to draw your special attention to certain points for handling the product.



### 1.3 Product-dependent symbols

#### 1.3.1 Symbols on the product

The following symbols can be used on the product:



Transport by crane is not permissible

### 1.4 Special stickers on the product

**WARNING:** This vacuum cleaner contains dusts that are hazardous to health. Only trained specialists wearing suitable protective equipment are permitted to undertake emptying and maintenance, including disposal of the dust bag. Operate the vacuum cleaner only with the filter system complete and in full working order.

VC 5L



L-class vacuum cleaner

VC 5M



M-class vacuum cleaner

### 1.5 Product information

**Hilti** products are designed for professional users and only trained, authorized personnel are permitted to operate, service and maintain the products. This personnel must be informed of any particular hazards that may be encountered. The product and its ancillary equipment can present hazards if used incorrectly by untrained personnel or if used not in accordance with the intended use.

The type designation and serial number are printed on the rating plate.

- ▶ Write down the serial number in the table below. You will be required to state the product details when contacting Hilti Service or your local Hilti organization to inquire about the product.

#### Product information

Wet / dry vacuum cleaner	<b>VC 5L</b> <b>VC 5M</b>
Generation	01
Serial no.	

### 1.6 Declaration of conformity

The manufacturer declares, on his sole responsibility, that the product described here complies with the applicable legislation and standards. A copy of the declaration of conformity can be found at the end of this documentation.

The technical documentation is filed here:

**Hilti** Entwicklungsgesellschaft mbH | Tool Certification | Hiltistrasse 6 | D-86916 Kaufering, Germany



## 2 Safety

### 2.1 General safety instructions

In addition to the safety instructions given in the various sections of these operating instructions, the following points must be strictly observed at all times.

- ▶ **Read all the instructions.** Failure to follow all the instructions listed below may result in electric shock, fire and/or serious injury.
- ▶ **If the appliance is used in conjunction with an electric tool, read and follow the operating instructions for the electric tool and all the warnings.**
- ▶ **Modification of the appliance is not permitted.**
- ▶ **Use the right appliance for the job. Do not use the appliance for purposes for which it was not intended. Use it only as directed and when in faultless condition.**
- ▶ **Before beginning work with the appliance, find out how to operate it correctly and about any hazards associated with the materials it will be picking up and how these materials can be disposed of.**
- ▶ **Take the influences of the surrounding area into account. Do not use the appliance where there is a risk of fire or explosion.**
- ▶ **The appliance may only be used by persons who are familiar with it, have been trained on how to use it safely and who understand the resulting hazards. The appliance is not intended for use by children. Children must be supervised in order to ensure that they don't play with the appliance.**
- ▶ **Store appliances in a secure place when not in use. When not in use, appliances must be stored in a dry, high place or locked away out of reach of children.**

### 2.2 Workplace

- ▶ **Ensure that the workplace is well lit.**
- ▶ **Ensure that the workplace is well ventilated.** Exposure to dust at a poorly ventilated workplace may result in damage to the health.
- ▶ **Keep the workplace tidy. Objects which could cause injury should be removed from the working area.** Untidiness at the workplace can lead to accidents.
- ▶ **Do not operate the appliance in explosive atmospheres, such as in the presence of flammable liquids, gases or dust.** Electric appliances cause sparks which may ignite the dust or fumes.

### 2.3 Electrical safety

- ▶ **The plug on the supply cord of the appliance must match the outlet. Do not change the plug in any way. Do not use adapter plugs with earthed (grounded) appliances.** Unmodified plugs and matching outlets reduce risk of electric shock.
- ▶ **Insert the plug in a suitable earthed/grounded power outlet which has been correctly and safely installed and is in compliance with local regulations. If you are in doubt about the effectiveness of the power outlet's earth/ground connection, have it checked by a qualified specialist.**
- ▶ **Avoid body contact with earthed or grounded surfaces such as pipes, radiators, cookers, stoves and refrigerators.** There is an increased risk of electric shock if your body is grounded.
- ▶ **Check to ensure that the supply cord does not lie in a puddle of water.**
- ▶ **Check the appliance's supply cord at regular intervals and have it replaced by Hilti Service if damage is found. Check extension cords at regular intervals and replace them if found to be damaged.**
- ▶ **Do not touch the supply cord or extension cord if they are damaged while working. Disconnect the supply cord plug from the power outlet.** Damaged supply cords or extension cords present a risk of electric shock.
- ▶ **Do not abuse the cord. Never use the cord for carrying, pulling or unplugging the appliance. Keep the cord away from heat, oil, sharp edges or moving parts.** Damaged or entangled cords increase the risk of electric shock.
- ▶ **When operating an electric appliance outdoors, use only extension cords of a type suitable for outdoor use.** Use of an extension cord suitable for outdoor use reduces the risk of electric shock.
- ▶ **In the event of an interruption in the electric supply, switch the appliance off and unplug it from the power outlet.**
- ▶ **Use the power outlet on the appliance only for the purposes described in the operating instructions.**
- ▶ **Never operate the appliance when it is dirty or wet.** Dust (especially dust from conductive materials) or dampness adhering to the surface of the appliance may, under unfavorable conditions, lead to electric



shock. **Dirty or dusty appliances should thus be checked by Hilti Service at regular intervals, especially if used frequently for working on conductive materials.**

- ▶ Fire hazard due to overloading! Do not exceed the permissible maximum current of 8 amps with a power tool plugged into the electric tool power outlet.

## 2.4 Personal safety

- ▶ **Stay alert, watch what you are doing and use common sense when working with the product. Do not use the vacuum cleaner while you are tired or under the influence of drugs, alcohol or medication.** A moment of inattention while operating the appliance may result in serious personal injury.
- ▶ **The user and any other persons in the vicinity must wear suitable eye protection, a hard hat, ear protection, protective gloves, safety footwear and breathing protection while the appliance is in use or while maintenance work on it is being carried out.**
- ▶ **Make sure that the vacuum cleaner cannot roll away or fall.**
- ▶ **Engage the wheel brakes so that the vacuum cleaner stands securely.** If the wheel brakes are disengaged the vacuum cleaner may run away out of control.
- ▶ **Observe the accident prevention regulations applicable in your country.**
- ▶ **If devices are provided for the connection of dust extraction and collection facilities, ensure these are connected and properly used.** Use of a vacuum cleaner can reduce dust-related hazards.
- ▶ The vacuum cleaner switches on automatically when a power tool plugged into the electric tool power outlet is switched on. Unexpected start-up of the vacuum cleaner can constitute a risk of injury.

## 2.5 Safety instructions for vacuum cleaners

- Before beginning work with the appliance, the operating personnel must be informed about how to operate it correctly and about any hazards associated with the materials it will be picking up and how these materials can be disposed of safely.
- Use of the appliance for cleaning down persons or animals is not permissible.
- Do not use the appliance for continuous, stationary operation in automatic or semi-automatic systems.
- Do not stand on top of the appliance (do not use it as a substitute for a ladder).
- Do not use the appliance under water.

## 2.6 The material vacuumed up

- ▶ **Do not use the appliance to vacuum up flammable or explosive dusts or dusts that present a health hazard (e.g. magnesium or aluminum dust). Do not use the appliance to vacuum up materials hotter than 60 °C (140 °F) (e.g. glowing cigarettes, hot ash).**
- ▶ Before starting work, check the hazard class of the dust that will be produced when working. Hazardous materials, such as asbestos and lead, are **outside** the intended use → page 6 of the product and will void the warranty.
- ▶ Dust produced by grinding, sanding, cutting and drilling can contain dangerous chemicals. Some examples are: lead or lead-based paints; brick, concrete and other masonry products, natural stone and other products containing silicates; certain types of wood, such as oak, beech and chemically treated wood; asbestos or materials that contain asbestos. Determine the exposure of the operator and bystanders by means of the hazard classification of the materials to be worked. Implement the necessary measures to restrict exposure to a safe level, for example by the use of a dust collection system or by the wearing of suitable respiratory protection. The general measures for reducing exposure include:
  - ▶ Working in an area that is well ventilated,
  - ▶ Avoidance of prolonged contact with dust,
  - ▶ Directing dust away from the face and body,
  - ▶ Wearing protective clothing and washing exposed areas of the skin with water and soap.
- ▶ **Do not use the appliance to vacuum up flammable, explosive or aggressive liquids (coolants and lubricants, gasoline, solvents, acids (pH < 5), alkalies (pH > 12.5), etc.).**
- ▶ **Switch the appliance off immediately if foam or liquids escape from it.**
- ▶ **Wear protective gloves when using the appliance to vacuum up hot materials at temperatures up to 60 °C (140 °F).**
- ▶ **When working with mineral drilling slurry, wear protective clothing and avoid skin contact with the slurry (pH > 9: caustic).**
- ▶ **Avoid contact with alkaline or acidic liquids. If contact accidentally occurs, rinse with water. In the event of the liquid coming into contact with the eyes, rinse the eyes with plenty of water and consult a physician.**





VC 5L

#### **Additionally in the case of L-class vacuum cleaners**

- ▶ A Dust Class L appliance is suitable for vacuuming up dry, non-flammable dusts, wood shavings and hazardous dusts with an exposure limit value of  $> 1 \text{ mg/m}^3$ .

VC 5M

#### **Additionally in the case of M-class vacuum cleaners**

- ▶ The dust class M appliance is suitable for vacuuming up dry, non-flammable dusts, wood shavings and hazardous dusts with exposure limit values  $\geq 0.1 \text{ mg/m}^3$ .

### **2.7 Vacuum cleaner use and care**

- ▶ Never leave the vacuum cleaner unattended.
- ▶ Protect the vacuum cleaner from frost.
- ▶ Check the fill level monitor (float) at regular intervals for dirt and visible damage; remove dirt accretions from the float whenever necessary.
- ▶ When fitting the suction head on to the vacuum cleaner, take care to avoid pinching your fingers or damaging the supply cord. This presents a risk of injury or damage.
- ▶ Check the vacuum cleaner and its accessories for damage. Guards, safety devices and any slightly damaged parts must be checked carefully to ensure that they function faultlessly and as intended. Check that moving parts function faultlessly, without sticking, and that no parts are damaged. In order to ensure faultless operation of the vacuum cleaner, all parts must be fitted correctly and must meet all applicable requirements.
- ▶ Have your vacuum cleaner repaired only by a qualified specialist using only genuine Hilti spare parts. The safety of the vacuum cleaner can thus be maintained.
- ▶ Always unplug the supply cord from the power outlet when the vacuum cleaner is not in use (during breaks), before cleaning and maintenance and before changing the filter or accessories. This safety precaution prevents the vacuum cleaner from starting accidentally.
- ▶ Never pull the vacuum cleaner by the supply cord to a new working position. Do not roll the wheels of the vacuum cleaner over the supply cord.
- ▶ Do not transport the vacuum cleaner by crane.

VC 5M

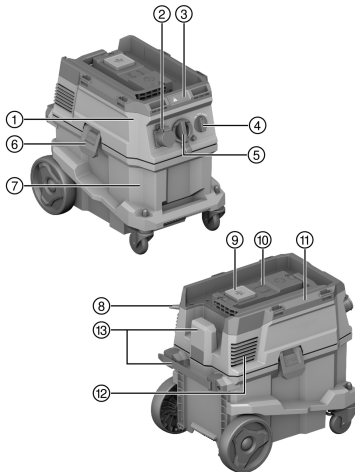
#### **Additionally in the case of M-class vacuum cleaners**

- ▶ **Close the hose inlet socket with the cap before transporting the appliance and when it is not in use.**



### 3 Description

#### 3.1 Product overview



- ① Suction head
- ② Power outlet on the appliance (optional)
- ③ Indicator and control panel
- ④ Control switch
- ⑤ Intake fitting (suction hose)
- ⑥ Container cover latch
- ⑦ Waste material container
- ⑧ Supply cord
- ⑨ "Manual filter cleaning" operating button
- ⑩ Blanking cover for wireless module (optional)
- ⑪ Carrying handle
- ⑫ Discharged-air outlet
- ⑬ Transport hook for supply cord (with holder)

#### 3.2 Intended use

The product described is a universal vacuum cleaner and is designed for the commercial sector, e.g. for use on construction sites, in hotels, schools, hospitals, factories, stores and offices, and by rental companies. The product is designed for applications in the wet and dry sectors.

Use of the product to clean down persons or animals is not permissible. Underwater use is not permissible.

This product is not approved for the **Hilti SafeSet** application.

- ▶ Before beginning work with the product, find out how to operate it correctly and about any hazards associated with the materials you will be working with and how these materials can be disposed of safely.
- ▶ Do not use the product for continuous, stationary operation in automatic or semi-automatic systems.
- ▶ To reduce the risk of injury, use only genuine **Hilti** accessories and accessory tools.
- ▶ Use an anti-static suction hose in order to avoid electrostatic effects.
- ▶ Do not vacuum up objects or materials that could cause injury by piercing through the dust bag (e.g. pointed or sharp objects).
- ▶ Do not stand on the product (do not use it as a substitute for a ladder).
- ▶ Comply with the accident prevention regulations applicable in your country.

#### Areas of application

This product is suitable for the following applications in commercial use:

- Wet and/or dry cleaning of wall and floor surfaces
- Vacuuming up small quantities of dust from **Hilti** diamond grinders, cut-off saws, rotary hammer drills and core drilling machines using dry-cutting core bits.
- Vacuuming up of oil and liquid media up to a temperature < 60 °C (140 °F).

VC 5L

#### Additionally in the case of L-class vacuum cleaners

Vacuuming up dry, non-flammable dusts, liquids, wood shavings and hazardous dusts with an exposure limit value of > 1 mg/m<sup>3</sup> (dust class L).



**Additionally in the case of M-class vacuum cleaners**

Vacuuming up dry, non-flammable dusts, liquids, wood shavings and hazardous dusts with exposure limit values  $\geq 0.1 \text{ mg/m}^3$  (dust class M).

With vacuum cleaners it is necessary to make provision for an adequate rate of air exchange (L) in the room in situations where the expelled air is returned to the room. Comply with national regulations.

**3.3 Items supplied**

Wet/dry vacuum cleaner including filter element, suction hose complete with rotary connector (at the vacuum cleaner end) and accessory tool connector, operating instructions



Other system products approved for use with this product can be found at your local **Hilti Store** or at: [www.hilti.group](http://www.hilti.group)

**4 Technical data**
**4.1 Product properties**

	VC 5L	VC 5M
<b>Weight</b>	11 kg	11 kg
<b>Dimensions (L × W × H)</b>	530 mm × 380 mm × 500 mm	530 mm × 380 mm × 500 mm
<b>Container capacity</b>	30 ℓ	30 ℓ
<b>Effective dust capacity</b>	23 kg	23 kg
<b>Effective water capacity</b>	20 ℓ	20 ℓ
<b>Air temperature</b>	-10 °C ... 40 °C	-10 °C ... 40 °C
<b>Filter cleaning</b>	manual	manual
<b>Maximum additional load</b>	25 kg	25 kg
<b>AC frequency</b>	50 Hz ... 60 Hz	50 Hz ... 60 Hz
<b>Protection class</b>	I	I
<b>Degree of protection</b>	IP X4	IP X4

**4.2 Rated voltage**

	100 V	110 V	110 V (GB 32 A)
<b>Rated power input</b>	1,000 W	1,100 W	1,100 W
<b>Power rating of built-in electric tool power outlet on the appliance</b>	•/•	•/•	600 W
<b>Mains connection (type)</b>	VCT 3×2 mm <sup>2</sup>	VCTF 3×2 mm <sup>2</sup>	H07 RN-F 3G 1.5 mm <sup>2</sup>

	220 - 240 V	220 - 240 V (CH)	220 - 240 V (GB)
<b>Rated power input</b>	1,200 W	1,200 W	1,200 W
<b>Power rating of built-in electric tool power outlet on the appliance</b>	2,300 W	1,100 W	1,900 W
<b>Mains connection (type)</b>	H07 RN-F 3G 1.5 mm <sup>2</sup>	H07 RN-F 3G 1.5 mm <sup>2</sup>	H07 RN-F 3G 1.5 mm <sup>2</sup>



	<b>220 - 240 V (NZ)</b>
<b>Rated power input</b>	1,200 W
<b>Power rating of built-in electric tool power outlet on the appliance</b>	1,200 W
<b>Mains connection (type)</b>	H07 RN-F 3G 1.5 mm <sup>2</sup>

#### 4.3 Maximum volumetric flow rate and maximum vacuum

	<b>100 V</b>	<b>110 V</b>	<b>220 - 240 V</b>
<b>Max. volume flow rate (turbine)</b>	70 ℓ/s	71 ℓ/s	74 ℓ/s
<b>Max. volume flow rate (end of hose)</b>	144 m <sup>3</sup> /h (40 ℓ/s)	144 m <sup>3</sup> /h (40 ℓ/s)	144 m <sup>3</sup> /h (40 ℓ/s)
<b>Max. vacuum</b>	19.5 kPa (195 mbar)	21.5 kPa (215 mbar)	22.5 kPa (225 mbar)

	<b>220 - 240 V (CH)</b>	<b>220 - 240 V (GB)</b>	<b>220 - 240 V (NZ)</b>
<b>Max. volume flow rate (turbine)</b>	74 ℓ/s	74 ℓ/s	74 ℓ/s
<b>Max. volume flow rate (end of hose)</b>	144 m <sup>3</sup> /h (40 ℓ/s)	144 m <sup>3</sup> /h (40 ℓ/s)	144 m <sup>3</sup> /h (40 ℓ/s)
<b>Max. vacuum</b>	22.5 kPa (225 mbar)	22.5 kPa (225 mbar)	22.5 kPa (225 mbar)

#### 4.4 Noise and vibration information (measured in accordance with EN 60335)

<b>Emission sound pressure level (L<sub>pa</sub>)</b>	76 dB(A)
<b>Uncertainty for the sound pressure level (K<sub>pa</sub>)</b>	2 dB(A)
<b>Vibration emission value</b>	< 2.5 m/s <sup>2</sup>

## 5 Use of extension cords

### Using extension cords

#### **WARNING**

**A damaged supply cord presents a hazard!** Do not touch the supply cord or extension cord if damaged while working. Disconnect the supply cord plug from the power outlet.

- ▶ Check the appliance's supply cord at regular intervals and have it replaced by a qualified specialist if found to be damaged.
- Use only extension cords of a type approved for the application and with conductors of adequate gauge (cross section). The power tool may otherwise suffer a drop in performance and the extension cord may overheat.
- Check the extension cord for damage at regular intervals.
- Replace damaged extension cords.
- When working outdoors, use only extension cords that are approved and correspondingly marked for this application.

Information on recommended minimum conductor cross-sections and cable lengths is accessible via a link, in the form of a QR code, at the end of this document.

## 6 Preparations at the workplace

#### **CAUTION**

**Risk of injury!** Inadvertent starting of the product.

- ▶ Unplug the supply cord before making adjustments to the power tool or before changing accessories.

Observe the safety instructions and warnings in this documentation and on the product.



## 7 Preparations at the workplace

### 7.1 Inserting dust bag (fleece)

1. Disconnect the supply cord plug from the power outlet.
2. Open the 2 container latches.
3. Lift the suction head off the waste material container.
4. If applicable, remove the full dust bag.
5. Seat the dust bag with adapter on the two positioning pins.
6. Position the suction head on top of the waste material container.
7. Close the 2 container latches.
8. Check to ensure that the suction head is fitted correctly and secured.
9. Connect the suction hose.

### 7.2 Changing dust bag (plastic)

1. Disconnect the supply cord plug from the power outlet.
2. Open the 2 container latches.
3. Lift the suction head off the waste material container.
4. If applicable, remove the full plastic dust bag.
5. Insert a new dust bag (plastic) into the waste material container and fold the dust bag down over the edge of the waste material container all round.
  - ▶ The holes in the dust bag must be in the inside of the waste material container.
  - ▶ Use the black line to position the dust bag correctly relative to the edge of the waste material container.
6. Position the suction head on top of the waste material container.
7. Close the 2 container latches.
8. Check to ensure that the suction head is fitted correctly and secured.
9. Connect the suction hose.

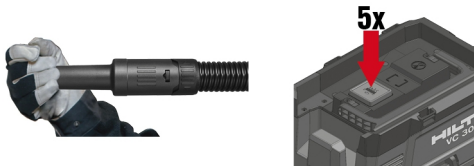
### 7.3 Replacing filter element

1. Open the 2 container latches.
2. Lift the suction head off the waste material container.
3. Remove the filter lock (screw lock).
4. Remove the filter disc.
5. Carefully remove the used filter.
  - ▶ Make sure that no foreign matter drops into the turbine aperture!
6. Position the new filter on the vacuum intake.
7. Position the filter disc flush on the filter.
8. Install the filter lock.
9. Check that the filter element is correctly installed and set the suction head on the waste material container.

## 8 Operation

### 8.1 Using the filter cleaning system

The vacuum cleaner features manual filter cleaning. To obtain maximum suction power, use the filter cleaning system to bump-clean the filter at regular intervals.



1. Close off the end of the hose.



2. Wait until maximum vacuum has built up.
3. Press the operating button 4-5 times in succession.

## 8.2 Operating vacuum cleaner

### CAUTION

**Risk of injury by dusts that are hazardous to health!** Hazardous material that has been vacuumed up can escape if a filter element is not used.

- ▶ Use the vacuum cleaner only with a filter element installed.

1. Before plugging the supply cord into a power outlet, check that the function selector switch is in the **OFF** position.
2. Plug the vacuum cleaner's supply cord into the power outlet.
3. Turn the control switch to the **ON** position.

## 8.3 Using electric tool power outlet



The power outlet on the appliance is to be used only for powering electric tools directly from the vacuum cleaner.

The operating instructions and safety instructions for the electric tool plugged into the power outlet on the vacuum cleaner must be observed.

The vacuum cleaner will continue to run for a short time after the electric tool is switched off in order to ensure that all dust is removed from the suction hose.

**Only for the Switzerland and Liechtenstein markets:** Use the electric tool power outlet only for applications in dry ambient conditions.

1. Unplug the vacuum cleaner's supply cord from the power outlet.
2. Check that the maximum power drawn by the electric tool is below the maximum permissible output of the power outlet on the vacuum cleaner (please refer to the "Technical data" section of the operating instructions and information printed at the power outlet on the appliance).
3. Check to ensure that the electric tool is switched off before plugging its supply cord into the power outlet.
4. Plug the electric tool's supply cord into the power outlet on the vacuum cleaner.
5. Plug the vacuum cleaner's supply cord into the power outlet.
6. Turn the control switch to the **AUTO** position.
7. Switch on the power tool.

## 8.4 Vacuuming up dry dust



Before vacuuming up dry dust, especially dust from mineral materials, always check to ensure that the correct dust bag is fitted in the container. The material vacuumed up by the vacuum cleaner can then be disposed of cleanly and easily.

- ▶ Check that the filter element is dry and that the correct type of dust bag is fitted.

## 8.5 Vacuuming up liquids

### 8.5.1 Preparation and performance of the task



If possible, use a separate filter element for wet applications.

1. Remove the dust bag from the waste material container.
2. Check the float of the fill level monitor; clean the float if necessary.
3. Take note of changes in suction power when vacuuming is in progress, for example when the fill level monitor trips.

### 8.5.2 Fill level monitor trips

When the waste material container fills up to the maximum fill level the fill level monitor trips. Empty the waste material container to be able to resume operation.





When large quantities are vacuumed up, liquid can build up in the filter and restrict operation of the float. At regular intervals, allow all liquid to drain out of the filter.

1. Turn the control switch to **OFF**.
2. Disconnect the supply cord plug from the power outlet.
3. Open the 2 container latches.
4. Lift the suction head off the waste material container and place the waste material container on a level surface.
5. Grip the waste material container by the recess provided and empty it by tipping out the contents.
6. Check the float of the fill level monitor; clean the float if necessary.
7. Set the suction head on the waste material container and close the 2 container latches.

## 8.6 After use of the vacuum cleaner

1. Turn the control switch to the **OFF** position.
2. Disconnect the supply cord plug from the power outlet.
3. Empty the container and clean the vacuum cleaner with a damp cloth.
4. Store the vacuum cleaner in a secure, dry place where it is inaccessible to unauthorized users.
  - ▶ **CAUTION** This vacuum cleaner may be stored only indoors.

### 8.6.1 After vacuuming up dry dusts



Always use a dust bag when operating a vacuum cleaner of class M or higher. In this way little dust is released in the processes of emptying the appliance and disposing of the material vacuumed up.

1. Open the 2 container latches.
2. Lift the suction head off the waste material container and place the waste material container on a level surface.
3. Grip the waste material container by the recess provided and empty it by tipping out the contents.
  - ▶ **M-class vacuum cleaners:** Remove the dust bag from the waste material container and dispose of the dust bag in accordance with the applicable regulations.
4. Clean the waste material container with a water hose.
5. Clean the vacuum cleaner and the sealing face of the waste material container with a damp cloth.
6. Allow the waste material container to dry.
7. Set the suction head on the waste material container and close the 2 container latches.

### 8.6.2 After vacuuming up liquids

1. Open the 2 container latches.
2. Lift the suction head off the waste material container and place the waste material container on a level surface.
3. Grip the waste material container by the recess provided and empty it by tipping out the contents.
4. Clean the waste material container with a water hose.
5. Clean the vacuum cleaner and the sealing face of the waste material container with a damp cloth.
6. Leave the vacuum cleaner suction head and the container standing separately so that the container can dry.

## 9 Instructions for care of vacuum cleaners



### WARNING

**Electric shock hazard!** Improper repairs to electrical parts can lead to serious injuries due to electric shock.

- ▶ Electrical parts may be repaired only by trained electrical specialists.
- 
- ▶ Keep the vacuum cleaner, especially its gripping surfaces, clean and free from oil and grease. Do not use cleaning agents containing silicone.
  - ▶ Never operate the vacuum cleaner when the air vents are blocked! Clean the air vents carefully using a dry brush. Prevent foreign matter from penetrating inside the turbine aperture.



- ▶ Clean the exterior of the vacuum cleaner with a slightly damp cloth at regular intervals. Do not use a spray system, pressure jet washer or running water for cleaning as this could negatively affect the electrical safety of the vacuum cleaner.
- ▶ Clean the top edge of the waste material container and its groove with particular care, because cleanliness here is decisive for the seal between waste material container and suction head.

## 10 Transport and storage

Do not carry the vacuum cleaner when the waste material container is full.

Do not attempt to crane-lift the vacuum cleaner.

- ▶ Remove loose accessory tools from the holder.
- ▶ Empty the vacuum cleaner before the vacuum cleaner is to be carried to another location.
- ▶ After using it to vacuum up liquids, do not tilt the vacuum cleaner and transport the vacuum cleaner in the upright position only.
- ▶ Use the tapered adapter to connect both ends of the hose together conveniently for transport.

VC 5M

### M-class vacuum cleaners



#### WARNING

**Risk of injury by dusts that are hazardous to health!** Hazardous material that has been vacuumed up can escape through the suction hose intake fitting.

- ▶ Close the hose inlet socket with the cap before transporting the vacuum cleaner and when it is not in use.

## 11 Troubleshooting

If the trouble you are experiencing is not listed in this table or you are unable to remedy the problem by yourself, contact **Hilti** Service.

Trouble or fault	Possible cause	Action to be taken
No suction power or reduced suction power.	The filter element is clogged or too old.	<ul style="list-style-type: none"> <li>▶ Check the fill level in the waste material container.</li> <li>▶ Use the manual filter cleaning system. → page 9</li> <li>▶ Change the filter, if necessary.</li> </ul>
	No filter element inserted.	▶ Insert a suitable filter element.
Visual warning (reduced suction power)	The dust bag is full.	▶ Change the dust bag.
	The filter element is clogged with dirt or dust.	▶ Operate the manual filter cleaning system (close off the suction hose opening for optimum cleaning power).
	The suction hose or dust hood on the electric tool is blocked.	▶ Clean the suction hose and the dust hood.
Dust is blown out of the appliance.	The filter element is not fitted correctly.	▶ Correctly re-install the filter element.
	The filter element is damaged.	▶ Install a new filter element.
	No filter element inserted.	▶ Insert a suitable filter element.
The appliance switches itself off or on inadvertently or static electricity discharges through the user.	Electrostatic charge is not conducted away – the appliance is connected to an unearthed/ungrounded power outlet.	▶ Connect the appliance to an earthed/grounded power outlet and use an anti-static suction hose.
The motor doesn't restart.	The mains circuit breaker has been tripped.	<ul style="list-style-type: none"> <li>▶ Reset the circuit breaker.</li> <li>▶ Find the reason for the overload current if the circuit breaker trips again.</li> </ul>





Trouble or fault	Possible cause	Action to be taken
The motor doesn't restart.	The waste material container is full.	▶ Switch the appliance off and empty the waste material container.
	The motor overheating protection cut-out has been activated.	▶ Switch the appliance off and allow it to cool down for about 5 minutes. ▶ If the motor doesn't start, return the appliance to <b>Hilti Service</b> .
	The motor is repeatedly switched off by its thermal cut-out.	▶ Clean the air vents carefully using a dry brush.
The motor doesn't run when set to "AUTO".	The appliance is faulty or is not correctly plugged in.	▶ Make sure that the supply cord plug is fully plugged in and check that the appliance functions correctly.

## 12 Disposal

Most of the materials from which **Hilti** tools and appliances are manufactured can be recycled. The materials must be correctly separated before they can be recycled. In many countries, your old tools, machines or appliances can be returned to **Hilti** for recycling. Ask **Hilti Service** or your Hilti representative for further information.



- ▶ Do not dispose of power tools, electronic equipment or batteries as household waste!

## 13 Manufacturer's warranty

- ▶ Please contact your local **Hilti** representative if you have questions about the warranty conditions.

## 14 Further information

For more information on operation, technology, environment and recycling, follow this link: [qr.hilti.com/manual/?id=2297598&id=2298710](http://qr.hilti.com/manual/?id=2297598&id=2298710)

This link is also to be found at the end of the documentation, in the form of a QR code.

# Перевод оригинального руководства по эксплуатации

## 1 Данные руководства по эксплуатации

### 1.1 Об этом документе



#### Импортер и уполномоченная изготовителем организация

- (RU) Российская Федерация  
АО "Хилти Дистрибьюшн ЛТД", 141402, Московская область, г. Химки, ул. Ленинградская, стр. 25, комната 15.26
- (BY) Республика Беларусь  
ИООО "Хилти БиУай", 222750, Минская область, Дзержинский район, Р-1, 18-й км, 2 (около д. Слободка), помещение 1-34
- (KZ) Республика Казахстан  
ТОО "Хилти Казахстан", 050057, г. Алматы, Бостандыкский район, ул. Тимирязева, дом 42/15, литер 012 (корпус15)
- (AM) Республика Армения  
ООО "ЭЙЧ-КОН", 0070, г. Ереван, ул. Ерванда Кочара 19/28

Страна производства: см. маркировочную табличку на оборудовании.



Дата производства: см. маркировочную табличку на оборудовании.

Соответствующий сертификат можно найти по адресу: [www.hilti.ru](http://www.hilti.ru)

Специальных требований к условиям хранения, транспортировки и использования, кроме указанных в руководстве по эксплуатации, нет.

Срок службы изделия составляет 5 лет.

- Перед началом работы изучите это руководство по эксплуатации. Это является залогом безопасной и бесперебойной работы.
- Соблюдайте указания по технике безопасности и предупреждающие указания, приведенные в этом руководстве по эксплуатации и на устройстве.
- Всегда храните руководство по эксплуатации рядом с устройством и передавайте устройство другим людям только вместе с этим руководством по эксплуатации.

## 1.2 Пояснение к знакам

### 1.2.1 Предупреждающие указания

Предупреждающие указания служат для предупреждения об опасностях при обращении с изделием. Используются следующие сигнальные слова:



**ОПАСНО**

**ОПАСНО !**

- ▶ Общее обозначение непосредственной опасной ситуации, которая влечет за собой тяжелые травмы или смертельный исход.



**ПРЕДУПРЕЖДЕНИЕ**

**ПРЕДУПРЕЖДЕНИЕ !**

- ▶ Общее обозначение потенциально опасной ситуации, которая может повлечь за собой тяжелые травмы или смертельный исход.








**ОСТОРОЖНО**

**ОСТОРОЖНО !**

- ▶ Общее обозначение потенциально опасной ситуации, которая может повлечь за собой травмы или повреждение оборудования (материальный ущерб).


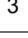


### 1.2.2 Символы, используемые в руководстве

В наших руководствах используются следующие символы:

	Перед использованием прочтите руководство по эксплуатации.
	Осторожно
	Указания по эксплуатации и другая полезная информация
	Обращение с материалами, пригодными для вторичной переработки
	Не выбрасывайте электроинструменты и аккумуляторы вместе с обычным мусором!

### 1.2.3 Символы на изображениях

На приводимых нами изображениях используются следующие символы:

	Эти цифры указывают на соответствующее изображение в начале данного руководства.
	Нумерация на изображениях отображает порядок выполнения рабочих операций и может отличаться от нумерации, используемой в тексте.
	Номера позиций используются в <b>обзорном</b> изображении. В <b>обзоре изделия</b> они указывают на номера в экспликации.
	Этот знак должен привлечь особое внимание пользователя при обращении с изделием.



### 1.3 Символы в зависимости от устройства

#### 1.3.1 Символы на устройстве

На устройстве могут использоваться следующие символы:



Транспортировка краном запрещена

### 1.4 Специальные наклейки на устройстве

**ПРЕДУПРЕЖДЕНИЕ!** Этот пылесос содержит опасную для здоровья пыль. Опорожнение и техническое обслуживание (включая утилизацию пылесборного мешка) должны выполняться только специалистами, использующими подходящие средства индивидуальной защиты. Эксплуатируйте пылесос только с полностью укомплектованной и исправно функционирующей фильтрационной системой.

VC 5L



Пылесос класса L

VC 5M



Пылесос класса M

### 1.5 Информация об устройстве

Изделия **Hilti** предназначены для профессионального использования, поэтому они могут обслуживаться и ремонтироваться только уполномоченным и обученным персоналом. Этот персонал должен пройти специальный инструктаж по технике безопасности. Использование устройства и его оснастки не по назначению или его эксплуатация необученным персоналом могут представлять опасность.

Типовое обозначение и серийный номер указаны на заводской табличке.

- ▶ Перепишите серийный номер в нижеприведенную табличную форму. Данные устройства необходимы при обращении в наше представительство или сервисный центр.

#### Данные устройства

Универсальный пылесос	<b>VC 5L</b> <b>VC 5M</b>
Поколение	01
Серийный №	

### 1.6 Декларация соответствия нормам

Настоящим фирма-изготовитель с полной ответственностью заявляет, что данное изделие соответствует действующим директивам и нормам. Копию декларации соответствия нормам см. в конце этого документа.

Техническая документация (оригиналы) хранится здесь:

**Hilti** Entwicklungsgesellschaft mbH | Zulassung Geräte | Hiltistraße 6 | 86916 Kaufering, Германия



### 2.1 Общие указания по технике безопасности

Наряду с общими указаниями по технике безопасности, приведенными в отдельных главах настоящего руководства по эксплуатации, необходимо соблюдать следующие указания.

- ▶ **Обязательно прочтите все указания!** Игнорирование следующих указаний может привести к удару электрическим током, пожару и/или серьезным травмам.
- ▶ **Перед использованием пылесоса в комбинации с электроинструментом следует прочесть руководство по эксплуатации электроинструмента и соблюдать все приведенные там указания.**
- ▶ **Внесение изменений в конструкцию пылесоса и его модификация запрещаются.**
- ▶ **Используйте только подходящее устройство.** Применяйте его только по назначению и только в исправном состоянии.
- ▶ **Перед началом работ с пылесосом необходимо пройти инструктаж по обращению с ним, а также получить информацию об опасности, которую представляют собой отходы, и об их безопасной утилизации.**
- ▶ **Учитывайте влияние окружающей среды.** Не используйте пылесос там, где существует опасность пожара или взрыва.
- ▶ **К работе с устройством допускается только тот персонал, которые знаком с ним, прошел инструктаж относительно его безопасного использования и ознакомлен с возможными опасностями, которые могут возникнуть в ходе эксплуатации пылесоса.** Устройство не предназначено для детей. Детям запрещается играть с устройством — обеспечить надзор!
- ▶ **Храните неиспользуемые пылесосы в надежном месте.** Выберите для этого сухое, высоко расположенное или закрытое (запираемое на замок) место, недоступное для детей.

### 2.2 Рабочее место

- ▶ **Обеспечьте хорошее освещение рабочей зоны.**
- ▶ **Обеспечьте хорошую вентиляцию рабочей зоны.** Плохо проветриваемая рабочая зона может стать причиной ухудшения самочувствия вследствие из-за концентрации пыли.
- ▶ **Содержите рабочее место в порядке.** В месте проведения работ не должно быть предметов, о которые можно пораниться. Беспорядок на рабочем месте увеличивает риск травмирования.
- ▶ **Не используйте пылесос во взрывоопасной зоне, где имеются горючие жидкости, газы или пыль.** При работе электроустройства искрят, и искры могут воспламенить пыль или пары.

### 2.3 Электрическая безопасность

- ▶ **Соединительная вилка пылесоса должна соответствовать розетке электросети.** Не изменяйте конструкцию вилки! Не разрешается применять переходные вилки с пылесосами с защитным заземлением. Использование оригинальных вилок и соответствующих им розеток снижает риск поражения электрическим током.
- ▶ **Вставляйте вилку в подходящую заземленную розетку, которая надежно установлена в соответствии со всеми местными условиями.** Если вы сомневаетесь в том, надежно ли заземлена розетка, то ее должен проверить квалифицированный электрик.
- ▶ **Избегайте непосредственного контакта с заземленными поверхностями, например, с трубами, отопительными приборами, печами (плитами) и холодильниками.** При контакте с заземленными предметами возникает повышенный риск поражения электрическим током.
- ▶ **Убедитесь в том, что кабель электропитания не пролегает по лужам.**
- ▶ **Регулярно проверяйте кабель электропитания пылесоса.** Замена поврежденного кабеля должна выполняться в сервисном центре Hilti. Регулярно проверяйте удлинительные кабели и при наличии повреждений заменяйте их.
- ▶ **Если во время работы кабель электропитания и/или удлинительный кабель были повреждены, прикасаться к ним запрещается.** Выньте вилку кабеля из розетки электросети. Поврежденные кабели электропитания и удлинительные кабели представляют опасность поражения электрическим током.
- ▶ **Не используйте кабель не по назначению, например, для переноски пылесоса, его подвешивания или для выдерживания вилки из розетки электросети.** Защищайте кабель от воздействий высоких температур, масла, острых кромок или подвижных деталей пылесоса. В результате повреждения или перекручивания кабеля повышается риск поражения электрическим током.
- ▶ **Если работы с электроустройством выполняются на открытом воздухе, применяйте только удлинительные кабели, которые разрешено использовать вне помещений.** Применение



удлинительного кабеля, пригодного для использования вне помещений, снижает риск удара электрическим током.

- ▶ При отключении подачи электропитания выключите пылесос и выньте вилку кабеля электропитания из розетки электросети.
- ▶ Использовать встроенную розетку разрешается только в указанных в руководстве по эксплуатации целях.
- ▶ Пользоваться грязным или мокрым пылесосом запрещается. При неблагоприятных условиях влага и пыль, скапливающаяся на поверхности пылесоса (особенно от токопроводящих материалов), могут вызвать удар электрическим током. Поэтому регулярно обращайтесь в сервисную службу Hilti для проверки пылесосов, особенно если вы часто используете их для обработки токопроводящих материалов.
- ▶ Опасность возгорания вследствие перегрузки! Не допускайте превышения максимального тока 8 А с подключенным к встроенной розетке электроинструментом!

## 2.4 Безопасность персонала

- ▶ Будьте внимательны, следите за своими действиями и серьезно относитесь к работе с пылесосом. Не пользуйтесь пылесосом, если вы устали или находитесь под действием наркотиков, алкоголя или медикаментов. Незначительная ошибка при невнимательной работе с пылесосом может стать причиной серьезного травмирования.
- ▶ Работающий с пылесосом и находящиеся в непосредственной близости лица во время работы и обслуживания пылесоса должны надевать подходящие защитные очки, защитные каски, защитные наушники, защитные перчатки и легкие респираторы.
- ▶ Убедитесь в том, что пылесос не откатится и не упадет.
- ▶ Приведите в действие колесные тормозные механизмы для устойчивого (неподвижного) положения пылесоса. При разблокированных колесных тормозных механизмах пылесос может прийти в неконтролируемое движение.
- ▶ Соблюдайте национальные правила техники безопасности.
- ▶ Если предусмотрено подсоединение устройств для удаления и сбора пыли, убедитесь в том, что они подсоединены и используются по назначению. Использование модуля пылеудаления снижает вредное воздействие пыли.
- ▶ Пылесос включается автоматически при включении подключенного к встроенной розетке электроинструмента. Неожиданное включение пылесоса может привести к травмированию.

## 2.5 Указания по технике безопасности при использовании пылесоса

- Персонал, обслуживающий пылесос, предварительно должен пройти инструктаж по обращению с ним, а также должен быть проинформирован об опасности, которую представляют собой отходы, и об их безопасной утилизации.
- Запрещается направлять всасывающий шланг пылесоса на людей и животных.
- Не используйте пылесос стационарно в непрерывном режиме работы, в автоматических или полуавтоматических установках.
- Не используйте корпус пылесоса в качестве лестницы (опоры).
- Не используйте пылесос под водой.

## 2.6 Отходы

- ▶ Удалять с помощью этого пылесоса опасную для здоровья, легковоспламеняющуюся и/или взрывоопасную пыль (например, магниевую/алюминиевую) запрещается. Не выполняйте уборку материалов с температурой выше 60 °С (тлеющие окурки, горячая зола и т. п.).
- ▶ Перед началом работы всегда проверяйте класс опасности вредной для здоровья пыли, которая может возникнуть по ходу выполнения работ. Опасные для здоровья материалы, такие как асбест и свинец, не входят в перечень допущенных материалов для уборки этим устройством, поэтому их всасывание запрещено → страница 19. В противном случае гарантия производителя на используемое вами устройство становится недействительной.



- ▶ Пыль, возникающая при шлифовании, абразивной обработке, резке и сверлении, может содержать опасные химические вещества. Несколько примеров материалов, содержащих опасные вещества: свинец или краски на свинцовой основе; кирпич, бетон и другие материалы для кладки, природный камень и иные кварцсодержащие материалы; определенные виды древесины, такие как дуб, бук и химически обработанная древесина; асбест или материалы, содержащие асбест. Определите степень воздействия на оператора и окружающих лиц по классу опасности обрабатываемых материалов. Примите необходимые меры для обеспечения безопасного уровня воздействия, например, путем использования подходящих систем пылеудаления или ношения подходящих средств защиты органов дыхания. Общие меры по снижению опасного воздействия:
  - ▶ Работайте в хорошо проветриваемом помещении
  - ▶ Избегайте длительного контакта с пылью.
  - ▶ Удаляйте пыль с лица и тела.
  - ▶ Носите защитную одежду и промывайте открытые участки, подверженные воздействию, водой с мылом.
- ▶ **Запрещается всасывание горючих, взрывоопасных, агрессивных жидкостей (смазочно-охлаждающие жидкости, бензин, растворители, кислоты (pH < 5), щелочи (pH > 12,5) и т. д.)**
- ▶ **При выходе пены или жидкости немедленно выключайте пылесос.**
- ▶ **При уборке горячего материала с температурой до 60 °C надевайте защитные перчатки.**
- ▶ **При уборке шлама после сверления/бурения минеральных пород носите защитную одежду и избегайте его контакта с кожей (pH > 9, едкое вещество).**
- ▶ **Избегайте контакта с щелочными или кислотными жидкостями. При случайном контакте смойте водой. При попадании таких жидкостей в глаза промойте их большим количеством воды и немедленно обратитесь за помощью к врачу.**

VC 5L

#### **Дополнительно для пылесосов класса L**

- ▶ Устройство (пылесос) класса L подходит для удаления сухой, негорючей пыли, древесной стружки/опилок и опасной пыли с максимальным содержанием вредных веществ > 1 мг/м<sup>3</sup>.

VC 5M

#### **Дополнительные указания для пылесосов класса M**

- ▶ Пылесос класса M предназначен для удаления сухой, негорючей пыли, древесной стружки/опилок и опасной пыли с максимальным содержанием вредных веществ ≥ 0,1 мг/м<sup>3</sup>.

### **2.7 Бережное обращение и эксплуатация пылесоса**

- ▶ Никогда не оставляйте пылесос без присмотра.
- ▶ Защищайте пылесос от замерзания (мороза).
- ▶ Регулярно проверяйте датчик уровня (поплавок) на отсутствие загрязнений и видимых повреждений и при необходимости удалите с поплавка крупные частицы грязи.
- ▶ Будьте осторожны при установке верхней части пылесоса: не допускайте защемления рук и повреждения кабеля электропитания. Опасность травмирования и повреждений.
- ▶ Проверяйте пылесос и принадлежности на отсутствие возможных повреждений. Перед дальнейшим использованием тщательно проверьте исправность и функционирование защитных приспособлений или легкоповреждаемых деталей. Подвижные детали должны двигаться свободно, без заеданий; проверьте их на отсутствие повреждений. Все детали должны быть правильно установлены и отвечать всем условиям, обеспечивающим исправную работу пылесоса.
- ▶ Доверяйте ремонт пылесоса только квалифицированному персоналу, использующему только оригинальные запчасти. Этим обеспечивается поддержание пылесоса в безопасном состоянии.
- ▶ Всегда вынимайте вилку кабеля электропитания из розетки электросети на то время, когда пылесос не используется (например, во время перерывов в работе), а также перед проведением технического обслуживания, заменой принадлежностей или фильтра. Данная мера предосторожности позволит предотвратить непреднамеренное включение пылесоса.
- ▶ Ни в коем случае не перемещайте пылесос на другое рабочее место за кабель электропитания. Не переезжайте пылесосом кабель электропитания.
- ▶ Не транспортируйте пылесос с помощью крана.

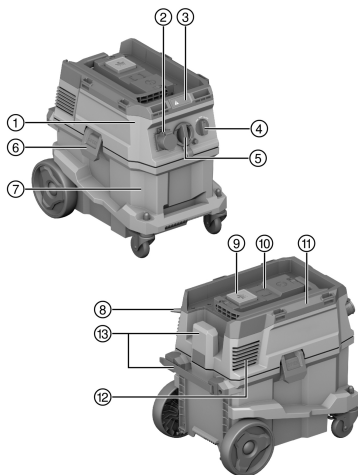


### Дополнительные указания для пылесосов класса M

- ▶ На время транспортировки и при неиспользовании пылесоса закрывайте всасывающий патрубок заглушкой.

## 3 Описание

### 3.1 Обзор устройства



- ① Верхняя часть пылесоса
- ② Встроенная розетка (опция)
- ③ Панель индикации и управления
- ④ Выключатель
- ⑤ Всасывающий патрубок (для подключения всасывающего шланга)
- ⑥ Защелка пылесборника
- ⑦ Пылесборник
- ⑧ Кабель электропитания
- ⑨ Кнопка управления «Ручная очистка фильтра»
- ⑩ Глухая крышка для радиомодуля (опция)
- ⑪ Ручка для переноски
- ⑫ Отверстие для выхода воздуха
- ⑬ Транспортировочный крюк для кабеля электропитания (с возможностью фиксации)

### 3.2 Использование по назначению

Описываемое устройство представляет собой универсальный пылесос для коммерческого использования, например на строительных площадках, в отелях, школах, больницах, фабриках, магазинах, офисах и арендуемых помещениях. Устройство предназначено для сухой и влажной уборки. Запрещается направлять всасывающий шланг пылесоса на людей и животных. Использование пылесосов под водой запрещается.

Это устройство не предназначено для применения **Hilti SafeSet**.

- ▶ Перед началом работ с пылесосом необходимо пройти инструктаж по обращению с ним, а также получить информацию об опасности, которую представляют собой отходы, и об их безопасной утилизации.
- ▶ Не используйте пылесос стационарно в непрерывном режиме работы, в автоматических или полуавтоматических установках.
- ▶ Во избежание травмирования используйте только оригинальные принадлежности и рабочие инструменты фирмы **Hilti**.
- ▶ Во избежание появления эффектов статической электризации используйте антистатический всасывающий шланг.
- ▶ Не выполняйте уборку предметов, которые могут травмировать вас (например, остроконечных предметов или предметов с острой кромкой, которые могут проткнуть пылесборный мешок и торчать наружу).
- ▶ Не используйте пылесос в качестве лестницы.
- ▶ Соблюдайте региональные правила техники безопасности.

#### Области применения

Данное устройство предназначено для профессионального использования в следующих областях:

- сухая и влажная очистка поверхностей стен и пола.
- Всасывание небольших объемов пыли, образующейся в ходе работы с алмазными шлифмашинами, абразивно-отрезными машинами, перфораторами и коронками для сухого бурения **Hilti**
- Всасывание масла и жидких сред с температурой < 60 °С.



**Дополнительно для пылесосов класса L**

всасывание сухой, негорючей пыли, жидкостей, древесных опилок/стружки и опасной пыли с максимальным содержанием вредных веществ  $> 1 \text{ мг/м}^3$  (класс пыли L).

**Дополнительные указания для пылесосов класса M**

Всасывание сухой, негорючей пыли, жидкостей, древесных опилок/стружки и опасной пыли с максимальным содержанием вредных веществ  $\geq 0,1 \text{ мг/м}^3$  (класс пыли M).

При работе с пылесосами в помещениях необходимо обеспечить доступ достаточного объема свежего воздуха, если отработанный воздух остается внутри помещения. Соблюдайте правила и предписания, действующие в месте эксплуатации!

**3.3 Комплект поставки**

Универсальный пылесос с фильтрующим элементом, всасывающий шланг в сборе с поворотной муфтой (на стороне пылесоса) и инструментальной муфтой, руководство по эксплуатации.



Другие системные принадлежности, допущенные для использования с этим изделием, вы можете найти в **Hilti Store** или на сайте [www.hilti.group](http://www.hilti.group).

**4 Технические данные**
**4.1 Характеристики устройства**

	VC 5L	VC 5M
Масса	11 кг	11 кг
Габаритные размеры (Д×Ш×В)	530 мм × 380 мм × 500 мм	530 мм × 380 мм × 500 мм
Объем пылесборника	30 л	30 л
Полезный объем для сбора пыли	23 кг	23 кг
Полезный объем для жидкости	20 л	20 л
Температура воздуха	-10 °C ... 40 °C	-10 °C ... 40 °C
Очистка фильтра	ручная	ручная
Макс. дополнительная нагрузка	25 кг	25 кг
Частота электросети	50 Гц ... 60 Гц	50 Гц ... 60 Гц
Класс защиты	I	I
Степень защиты	IP X4	IP X4

**4.2 Номинальное напряжение**

	100 В	110 В	110 В (Великобритания 32 А)
Номинальная потребляемая мощность	1 000 Вт	1 100 Вт	1 100 Вт
Потребляемая мощность встроенной розетки для электроинструмента	•/•	•/•	600 Вт
Сетевое подключение (тип)	VCT 3×2 mm <sup>2</sup>	VCTF 3×2 mm <sup>2</sup>	H07 RN-F 3G 1,5 mm <sup>2</sup>





	220–240 В	220–240 В (Швейцария)	220–240 В (Великобритания)
Номинальная потребляемая мощность	1 200 Вт	1 200 Вт	1 200 Вт
Потребляемая мощность встроенной розетки для электроинструмента	2 300 Вт	1 100 Вт	1 900 Вт
Сетевое подключение (тип)	H07 RN-F 3G 1,5 мм <sup>2</sup>	H07 RN-F 3G 1,5 мм <sup>2</sup>	H07 RN-F 3G 1,5 мм <sup>2</sup>

	220–240 В (Новая Зеландия)
Номинальная потребляемая мощность	1 200 Вт
Потребляемая мощность встроенной розетки для электроинструмента	1 200 Вт
Сетевое подключение (тип)	H07 RN-F 3G 1,5 мм <sup>2</sup>

#### 4.3 Максимальный объемный расход и максимальное разрежение

	100 В	110 В	220–240 В
Макс. уровень всасывания (турбина)	70 л/с	71 л/с	74 л/с
Макс. уровень всасывания (на конце шланга)	144 м <sup>3</sup> /ч (40 л/с)	144 м <sup>3</sup> /ч (40 л/с)	144 м <sup>3</sup> /ч (40 л/с)
Макс. разрежение	19,5 кПа (195 мбар)	21,5 кПа (215 мбар)	22,5 кПа (225 мбар)

	220–240 В (Швейцария)	220–240 В (Великобритания)	220–240 В (Новая Зеландия)
Макс. уровень всасывания (турбина)	74 л/с	74 л/с	74 л/с
Макс. уровень всасывания (на конце шланга)	144 м <sup>3</sup> /ч (40 л/с)	144 м <sup>3</sup> /ч (40 л/с)	144 м <sup>3</sup> /ч (40 л/с)
Макс. разрежение	22,5 кПа (225 мбар)	22,5 кПа (225 мбар)	22,5 кПа (225 мбар)

#### 4.4 Данные о шуме и вибрации (измерения согласно EN 60335)

Значение уровня звукового давления ( $L_{pA}$ )	76 дБ(А)
Погрешность уровня звукового давления ( $K_{pA}$ )	2 дБ(А)
Значение вибрации	< 2,5 м/с <sup>2</sup>

## 5 Использование удлинительного кабеля

### Использование удлинительного кабеля

#### ПРЕДУПРЕЖДЕНИЕ

**Опасность вследствие поврежденных кабелей!** При повреждении кабеля электропитания или удлинительного кабеля во время работы ни в коем случае не прикасайтесь к ним. Выньте вилку кабеля электропитания из розетки.

- ▶ Регулярно проверяйте кабель электропитания электроинструмента. Замена поврежденного кабеля должна осуществляться специалистом-электриком.
- Используйте только допущенные для данной области применения удлинительные кабели достаточного сечения. В противном случае возможна потеря мощности электроинструмента и перегрев кабеля.
- Регулярно проверяйте, не поврежден ли удлинительный кабель.
- Заменяйте поврежденные удлинительные кабели.



- При выполнении работ вне помещений используйте только допущенные к эксплуатации удлинительные кабели с соответствующей маркировкой.



Рекомендуемые значения минимально допустимого сечения и максимально возможной длины кабеля см. в конце этого документа по ссылке в виде QR-кода.

## 6 Подготовка к работе

### ОСТОРОЖНО

**Опасность травмирования!** Непреднамеренное включение электроинструмента

- ▶ Перед регулировкой электроинструмента или заменой принадлежностей вынимайте вилку из розетки электросети.

Соблюдайте указания по технике безопасности и предупреждающие указания, приводимые в данном документе и на изделии.

## 7 Подготовка к работе

### 7.1 Установка пылесборного мешка (из флиса)

1. Выньте вилку кабеля электропитания из розетки электросети.
2. Откройте обе защелки пылесборника.
3. Снимите верхнюю часть пылесоса с пылесборника.
4. При необходимости извлеките заполненный пылесборный мешок.
5. Установите пылесборный мешок с использованием адаптера на два позиционных штифта.
6. Установите верхнюю часть пылесоса на пылесборник.
7. Откройте обе защелки пылесборника.
8. Убедитесь в том, что верхняя часть пылесоса правильно установлена и надежно зафиксирована.
9. Подсоедините всасывающий шланг.

### 7.2 Замена (синтетического) пылесборного мешка

1. Выньте вилку кабеля электропитания из розетки электросети.
2. Откройте обе защелки пылесборника.
3. Снимите верхнюю часть пылесоса с пылесборника.
4. При необходимости извлеките заполненный синтетический пылесборный мешок.
5. Вставьте в пылесборник новый (синтетический) пылесборный мешок, подвернув его края под кромку пылесборника.
  - ▶ Отверстия мешка должны находиться внутри пылесборника.
  - ▶ Выправьте вставленный пылесборный мешок по черной линии на кромке пылесборника.
6. Установите верхнюю часть пылесоса на пылесборник.
7. Откройте обе защелки пылесборника.
8. Убедитесь в том, что верхняя часть пылесоса правильно установлена и надежно зафиксирована.
9. Подсоедините всасывающий шланг.

### 7.3 Замена фильтрующего элемента

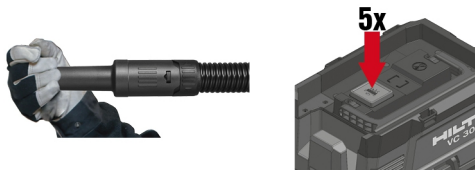
1. Откройте обе защелки пылесборника.
2. Снимите верхнюю часть пылесоса с пылесборника.
3. Снимите запор фильтра (винтовой).
4. Снимите шайбу фильтра.
5. Осторожно извлеките использованный фильтр.
  - ▶ Убедитесь, что грязь не попадает в отверстие турбины!
6. Установите новый фильтр на всасывающий патрубок.
7. Разместите шайбу заподлицо на фильтре.
8. Смонтируйте запор фильтра.
9. Проверьте правильный монтаж фильтрующего элемента и установите верхнюю часть пылесоса на пылесборник.




## 8 Управление

### 8.1 Использование функции фильтра очистки

Пылесос оснащен функцией ручной очистки фильтра. Для обеспечения максимальной мощности всасывания регулярно выполняйте очистку фильтра.



1. Заглушите конец шланга.
2. Дождитесь, пока не установится максимальное разрежение.
3. Нажмите последовательно 4–5 раз на кнопку управления .

### 8.2 Обслуживание пылесоса


#### **ОСТОРОЖНО**

**Опасность вследствие вредной для здоровья пыли!** Без использования фильтрующего элемента возможен выход опасных отходов.

► Используйте пылесос только с установленным фильтрующим элементом.

1. Перед подключением вилки кабеля электропитания убедитесь в том, что переключатель режимов работы находится в положении **OFF**.
2. Вставьте вилку кабеля электропитания пылесоса в розетку электросети.
3. Поверните выключатель пылесоса в положение **ON**.

### 8.3 Использование встроенной розетки

 Встроенная розетка предназначена только для прямого подключения электроинструментов к пылесосу.


При подключении электроинструмента к встроенной розетке следует соблюдать руководство по его эксплуатации и приводимые в нем указания по технике безопасности.

После выключения электроинструмента пылесос работает еще некоторое время, чтобы засосать пыль, находящуюся во всасывающем шланге.

**Только для рынков Швейцарии и Лихтенштейна:** пользуйтесь встроенной розеткой только в условиях сухой внешней среды.

1. Выньте вилку кабеля электропитания пылесоса из розетки электросети.
2. Убедитесь в том, что максимальная потребляемая мощность подключаемого электроинструмента ниже максимальной допустимой мощности встроенной розетки (см. главу «Технические характеристики» и маркировку на встроенной розетке).
3. Перед подключением вилки кабеля электропитания электроинструмента убедитесь в том, электроинструмент выключен.
4. Вставьте вилку кабеля электропитания электроинструмента во встроенную розетку.
5. Вставьте вилку кабеля электропитания пылесоса в розетку электросети.
6. Поверните выключатель пылесоса в положение **AUTO**.
7. Включите электроинструмент.

### 8.4 Всасывание сухой пыли

 Перед всасыванием сухой пыли (особенно минеральной) убедитесь в том, что в пылесборнике установлен подходящий пылесборный мешок. Это позволит просто и чисто утилизировать собранный материал.



- ▶ Следите за тем, чтобы фильтрующий элемент был сухим и был установлен подходящий пылесборный мешок.

## 8.5 Всасывание жидкостей

### 8.5.1 Подготовка и выполнение



По возможности используйте для влажной уборки отдельный фильтрующий элемент.

1. Извлеките пылесборный мешок из пылесборника.
2. Проверьте поплавков системы контроля уровня заполнения и при необходимости очистите его.
3. Обратите внимание на изменения мощности всасывания во время работы, например при срабатывании функции контроля уровня заполнения.

### 8.5.2 Срабатывает функция контроля уровня заполнения

Когда пылесборник достигает максимального уровня заполнения, срабатывает функция контроля уровня заполнения. Опорожните пылесборник, чтобы продолжить работу.



При всасывании больших объемов жидкость может скапливаться в фильтре и ограничивать работу поплавка. Давайте жидкости полностью вытекать из фильтра через регулярные промежутки времени.

1. Поверните выключатель пылесоса в положение **OFF**.
2. Выньте вилку кабеля электропитания из розетки электросети.
3. Откройте обе защелки пылесборника.
4. Снимите верхнюю часть пылесоса с пылесборника и поставьте ее на ровную поверхность.
5. Возьмитесь за захваты и наклоните пылесборник для его опорожнения.
6. Проверьте поплавков системы контроля уровня заполнения и при необходимости очистите его.
7. Установите верхнюю часть пылесоса на пылесборник и закройте обе защелки.

## 8.6 После всасывания

1. Поверните выключатель пылесоса в положение **OFF**.
2. Выньте вилку кабеля электропитания из розетки электросети.
3. Опорожните пылесборник и протрите пылесос влажной тканью.
4. Поставьте пылесос в сухое помещение, предотвратив возможность его использования посторонними лицами.
  - ▶ **ВНИМАНИЕ** Этот пылесос разрешается хранить только в закрытых помещениях.

### 8.6.1 После всасывания сухой пыли



Всегда используйте пылесосы класса М и выше с пылесборным мешком. Это означает, что собранный материал можно опорожнять и утилизировать с незначительной пылевой нагрузкой.

1. Откройте обе защелки пылесборника.
2. Снимите верхнюю часть пылесоса с пылесборника и поставьте ее на ровную поверхность.
3. Возьмитесь за захваты и наклоните пылесборник для его опорожнения.
  - ▶ **Указания для пылесосов класса М:** Извлеките пылесборный мешок из пылесборника и утилизируйте его соответствии с действующими предписаниями.
4. Очистите пылесборник с помощью водяного шланга.
5. Очистите пылесос и уплотнительную поверхность пылесборника влажной тряпкой.
6. Дайте подсохнуть пылесборнику.
7. Установите верхнюю часть пылесоса на пылесборник и закройте обе защелки.

### 8.6.2 После всасывания жидкостей

1. Откройте обе защелки пылесборника.
2. Снимите верхнюю часть пылесоса с пылесборника и поставьте ее на ровную поверхность.
3. Возьмитесь за захваты и наклоните пылесборник для его опорожнения.



4. Очистите пылесборник с помощью водяного шланга.
5. Очистите пылесос и уплотнительную поверхность пылесборника влажной тряпкой.
6. Держите верхнюю часть пылесоса отдельно от пылесборника, чтобы фильтрующий элемент и пылесборник могли подсохнуть.

## 9 Указания по уходу за пылесосом

### ПРЕДУПРЕЖДЕНИЕ

**Опасность поражения электрическим током!** Неквалифицированный ремонт электрических компонентов может привести к получению серьезных травм в результате ударов электрическим током.

- ▶ Ремонт таких компонентов поручайте только специалисту-электрику.
- ▶ Содержите пылесос, особенно поверхности его рукояток, в чистом и сухом состоянии, без следов масла и смазки. Запрещается использовать чистящие средства, содержащие силикон.
- ▶ Эксплуатация пылесоса с засоренными вентиляционными прорезями категорически запрещена! Осторожно очистите вентиляционные прорези сухой щеткой. Не допускайте попадания посторонних частиц в отверстие турбины.
- ▶ Регулярно очищайте внешнюю поверхность пылесоса слегка увлажненной тканью. Не используйте для очистки водяной распылитель, парогенератор или струю воды, т. к. при чистке такими средствами нарушается электробезопасность пылесоса.
- ▶ Особое внимание уделите очистке верхней кромки пылесборника и ее паза, так как он обеспечивает необходимую герметичность между пылесборником и верхней частью пылесоса (при их стыковке).

## 10 Транспортировка и хранение

Запрещается переносить пылесос с полным пылесборником.

Запрещается подвешивать пылесос на крюке крана.

- ▶ Извлекайте расфиксированный сменный инструмент из крепления.
- ▶ Опорожняйте пылесос, прежде чем переносить его в другое место.
- ▶ Не опрокидывайте пылесос и транспортируйте его только в вертикальном положении, если он использовался для удаления жидкостей.
- ▶ Для транспортировки оба конца шланга можно соединить коническим переходником.

VC 5M

### Указания для пылесосов класса M:

#### ПРЕДУПРЕЖДЕНИЕ

**Опасность вследствие вредной для здоровья пыли!** Через всасывающий патрубок могут выходить опасные отходы.

- ▶ На время транспортировки и при неиспользовании пылесоса закрывайте всасывающий патрубок заглушкой.

## 11 Помощь при неисправностях

В случае неисправностей, которые не указаны в этой таблице или которые вы не можете устранить самостоятельно, обращайтесь в ближайший сервисный центр **Hilti**.

Неисправность	Возможная причина	Решение
Отсутствует/пониженная мощность всасывания.	Фильтрующий элемент засорен или слишком старый.	<ul style="list-style-type: none"> <li>▶ Проверьте уровень заполнения пылесборника.</li> <li>▶ Используйте функцию ручной очистки фильтра. → страница 23</li> <li>▶ При необходимости замените фильтр.</li> </ul>
	Не установлен фильтрующий элемент.	<ul style="list-style-type: none"> <li>▶ Установите подходящий фильтрующий элемент.</li> </ul>



Неисправность	Возможная причина	Решение
Оптический предупреждающий сигнал (снижение мощности всасывания)	Пылесборный мешок полностью заполнен.	▶ Замените пылесборный мешок.
	Фильтрующий элемент сильно загрязнен.	▶ Активируйте функцию ручной очистки фильтра (для оптимального эффекта очистки закройте отверстие всасывающего шланга).
	Всасывающий шланг или кожух для удаления пыли электроинструмента забит.	▶ Очистите всасывающий шланг и кожух для удаления пыли.
Пыль выдувается из пылесоса.	Фильтрующий элемент установлен неправильно.	▶ Переустановите фильтрующий элемент.
	Поврежден фильтрующий элемент.	▶ Установите новый фильтрующий элемент.
	Не установлен фильтрующий элемент.	▶ Установите подходящий фильтрующий элемент.
Произвольное включение и отключение пылесоса, статический разряд при контакте с пылесосом.	Отвод электростатического заряда не обеспечивается, пылесос подключено к незаземленной розетке.	▶ Подключите пылесос к заземленной розетке, используйте антистатический шланг.
Двигатель не запускается.	Сработал предохранитель розетки электросети.	▶ Включите предохранитель. ▶ При повторном срабатывании определите причину появления тока перегрузки.
	Пылесборник заполнен.	▶ Выключите пылесос и опорожните пылесборник.
	Сработала тепловая защита двигателя.	▶ Выключите пылесос и дайте ему остыть в течение примерно 5 мин. ▶ Если двигатель не запускается, доставьте пылесос в сервисную службу <b>Hilti</b> .
	Тепловая защита двигателя вновь выключает двигатель.	▶ Осторожно очистите вентиляционные прорези сухой щеткой.
Двигатель не работает в автоматическом режиме.	Подключенный электроинструмент неисправен или неправильно подключен.	▶ Проверьте функционирование подключенного электроинструмента или плотно вставьте вилку кабеля электропитания.

## 12 Утилизация

Большинство материалов, из которых изготовлены электроинструменты **Hilti**, подлежит вторичной переработке. Перед утилизацией следует тщательно рассортировать материалы (для удобства их последующей переработки). Во многих странах фирма **Hilti** уже организовала прием старых (электро)инструментов (изделий) для утилизации. Дополнительную информацию по этому вопросу можно получить в отделе по обслуживанию клиентов или у консультантов по продажам фирмы **Hilti**.



- ▶ Не выбрасывайте электрические инструменты, электронные устройства/приборы и аккумуляторы вместе с обычным мусором!

## 13 Гарантия производителя

- ▶ С вопросами по поводу гарантийных условий обращайтесь в ближайшее представительство **Hilti**.



## 14   Дополнительная информация

Дополнительную информацию относительно управления, технического оснащения, защиты окружающей среды и повторного использования см. по следующей ссылке: [qr.hilti.com/manual/?id=2297598&id=2298710](http://qr.hilti.com/manual/?id=2297598&id=2298710)

Эта ссылка также приводится в конце документа в виде QR-кода.

## Түпнұсқа пайдалану бойынша нұсқаулық

### 1   Пайдалану бойынша нұсқаулық туралы мәліметтер

#### 1.1   Бұл құжаттама туралы



#### Импорттауыш және өндірушінің өкілетті ұйымы

- (RU) Ресей Федерациясы  
"Хилти Дистрибьюшн ЛТД" АҚ, 141402, Мәскеу облысы, Химки қ., Ленинградская к-сі, 25-бет, 15.26-құрылымы
- (BY) Беларусь Республикасы  
"Хилти БиУай" ЖШС, 222750, Минск облысы, Дзержин ауданы, Р-1, 18 км, 2 (Слободка ауылының жанында), 1-34 құрылымы
- (KZ) Қазақстан Республикасы  
"Хилти Қазақстан" ЖШС, 050057, Алматы қ., Бостандық ауданы, Тимирязев к-сі, 42/15 үй, литер 012 (15 корпус)
- (KG) Қырғыз Республикасы  
"Т AND Т" ЖШҚ, 720021, Қырғызстан, Бішкек қ., Ибраимов көш., 29 А үйі
- (AM) Армения Республикасы  
"ЭЙЧ-КОН" ЖШҚ, 0070, Ереван қ., Ерманда Кочар к-сі, 19/28

Өндірілген елі: жабдықтағы белгілеу тақтайшасын қараңыз.

Өндірілген күні: жабдықтағы белгілеу тақтайшасын қараңыз.

Тиісті сертификатты мына мекенжай бойынша табуға болады: [www.hilti.ru](http://www.hilti.ru)

Сақтау, тасымалдау және пайдалану шарттарына пайдалану бойынша нұсқаулықта белгіленгеннен басқа арнайы талаптар қойылмайды.

Өнімнің қызмет ету мерзімі 5 жыл.

- Іске қосу алдында осы пайдалану бойынша нұсқаулықты оқып шығыңыз. Бұл қауіпсіз жұмыс пен ақаусыз басқару үшін алғышарт болып табылады.
- Осы пайдалану бойынша нұсқаулықтағы және өнімдегі қауіпсіздік және ескерту нұсқауларын орындаңыз.
- Пайдалану бойынша нұсқаулықты әрдайым өнімде сақтаңыз және өнімді басқа тұлғаларға тек осы пайдалану бойынша нұсқаулықпен бірге тапсырыңыз.

#### 1.2   Шартты белгілердің анықтамасы

##### 1.2.1   Ескерту

Ескертулер өнімді қолдану барысындағы қауіптер туралы ескертеді. Төмендегі сигналдық сөздер пайдаланылады:



**ҚАУІПТІ**

**ҚАУІПТІ !**

- ▶ Ауыр жарақаттарға әкелетін немесе өмірге қауіп төндіретін тікелей қауіпті жағдайдың жалпы белгіленуі.



**⚠ ЕСКЕРТУ**

**ЕСКЕРТУ !**

- ▶ Ауыр жарақаттарға әкелуі немесе өмірге қауіп төндіруі мүмкін ықтимал қауіпті жағдайдың жалпы белгіленуі.

**⚠ АБАЙЛАҢЫЗ**

**АБАЙЛАҢЫЗ !**

- ▶ Жарақат алуға немесе мүліктің зақымдалуына әкелуі мүмкін ықтимал қауіпті жағдайдың жалпы белгіленуі.

**1.2.2 Құжаттамадағы белгілер**

Біздің құжаттамаларда төмендегі белгілер қолданылады:

	Пайдалану алдында пайдалану бойынша нұсқаулықты оқу қажет
	Абайлаңыз
	Аспапты пайдалану бойынша нұсқаулар және басқа пайдалы ақпарат
	Қайта пайдалануға болатын материалдармен жұмыс істеу
	Электр аспаптарды және аккумуляторларды тұрмыстық қоқысқа тастамаңыз

**1.2.3 Суреттердегі белгілер**

Біздің суреттерде төмендегі белгілер қолданылады:

	Бұл сандар осы нұсқаулықтың басындағы әр суретке сәйкес келеді
	Нөмірлеу суреттегі жұмыс қадамдарының реттілігін білдіреді және мәтіндегі жұмыс қадамдарынан өзгешеленуі мүмкін
	Позиция нөмірлері <b>Шолу</b> суретінде қолданылады және <b>Өнімге шолу</b> мақаласындағы шартты белгілердің нөмірлеріне сілтейді
	Аталмыш белгілер өнімді қолдану барысында айрықша назарыңызды аудартады.

**1.3 Өнімге қатысты белгілер**

**1.3.1 Өнімдегі белгілер**

Өнімде төмендегі белгілер пайдаланылуы мүмкін:

	Кранмен тасымалдауға тыйым салынады
--	-------------------------------------

**1.4 Өнімдегі арнайы жапсырма**

**ЕСКЕРТУ:** Бұл сорғыш денсаулыққа зиянды шаңды қамтиды. Босату және техникалық қызмет көрсету, соның ішінде шаң жинағыш қапты кедеге жарату жұмысын тек арнайы жеке қорғаныс киім-кешегі бар техник мамандар өткізуі керек. Сорғышты тек толықтай және ақаусыз жұмыс істейтін сүзгі жүйесімен пайдаланыңыз.

VC 5L



**L сорғышы**







## M сорғышы

### 1.5 Өнім туралы ақпарат

**Hilti** өнімдері кәсіпқой пайдаланушыларға арналған және оларды тек қана өкілетті, білікті қызметкерлер пайдалануы, күтім және техникалық қызмет көрсетуі тиіс. Қызметкерлер қауіпсіздік бойынша арнайы нұсқау алуы керек. Өнім мен оның қосалқы құралдарын басқа мақсатта қолдану немесе олардың оқытылмаған қызметкерлердің тарапынан пайдаланылуы қауіпті.

Түр сипаттамасы мен сериялық нөмір фирмалық тақтайшада берілген.

- ▶ Сериялық нөмірді төмендегі кестеге көшіріп қойыңыз. Өнім туралы мәліметтерді өкілдігімізге немесе қызмет көрсету бөлімімізге сұрау беру арқылы алуға болады.

#### Өнім туралы мәліметтер

Ылғалды және құрғақ тазалауға арналған шаңсорғыш	<b>VC 5L</b> <b>VC 5M</b>
Буын	01
Сериялық нөмір	

### 1.6 Сәйкестілік декларациясы

Өндіруші осы нұсқаулықта сипатталған өнімнің қолданыстағы заңнамаға және қолданыстағы стандарттарға сәйкес екендігін толық жауапкершілікпен жариялайды. Сәйкестілік декларациясының суреті осы құжаттаманың соңында орналасқан.

Техникалық құжаттама мына жерде сақталған:

Hilti Entwicklungsgesellschaft mbH | Zulassung Geräte | Hiltistraße 6 | 86916 Kaufering, DE

## 2 Қауіпсіздік

### 2.1 Қауіпсіздік бойынша жалпы нұсқаулар

Осы пайдалану бойынша нұсқаулықтың бөлек тарауларында берілген қауіпсіздік нұсқауларына қоса, төменде берілген нұсқауларды қатаң сақтау керек.

- ▶ **Барлық нұсқауларды міндетті түрде оқып шығыңыз!** Бұл нұсқауларды елемей электр тогының соғуына, өртке және/немесе ауыр жарақаттарға әкелуі мүмкін.
- ▶ **Аспапты қолданған кезде электрлік құралмен бірге берілген пайдалану бойынша нұсқаулықты оқып шығып, барлық нұсқауларды орындаңыз.**
- ▶ Аспап конструкциясына өзгертулер енгізуге және оны модификациялауға тыйым салынады.
- ▶ Сәйкес аспапты пайдаланыңыз. Оны тек өз мақсаты бойынша және тек дұрыс күйінде пайдаланыңыз.
- ▶ Аспаппен жұмыс істемес бұрын оған қызмет көрсету, материалдардан пайда болатын қауіп және сорылатын материалдарды кәдеге жарату бойынша мәліметтермен танысыңыз.
- ▶ Қоршаған ортаның әсерін ескеріңіз. Аспапты өрт немесе жарылыс қаупі бар жерде қолданбаңыз.
- ▶ Аспапты тек осы ақпаратпен таныс, қауіпсіз қолдану бойынша нұсқау алған және ықтимал қауіптерді түсінетін адамдар ғана пайдалануы тиіс. Аспап балаларға арналмаған. Балалардың аспаппен ойнамауын қадағалап отыру қажет.
- ▶ Қолданылмайтын аспаптарды сенімді жерде сақтаңыз. Қолданылмайтын аспаптар құрғақ, жоғары орналасқан немесе жабық, балалар жетпейтін жерде сақталуы керек.

### 2.2 Жұмыс орны

- ▶ Жұмыс орнын жақсы жарық түсумен қамтамасыз етіңіз.



- ▶ **Жұмыс аймағының жақсы желдетілуін қамтамасыз етіңіз.** Нашар желдетілетін жұмыс аймағы шанның жоғарғы концентрациясына байланысты көңіл-күйдің нашарлауының себебі болуы мүмкін.
- ▶ **Жұмыс орнында тәртіпті сақтаңыз.** Жұмыс ортындағы ретсіздік жарақаттану қаупін арттырады.
- ▶ **Аспапты тұтанғыш сұйықтықтар, газдар немесе шаң бар жарылыс қаупі бар аймақта қолданбаңыз.** Жұмыс кезінде электр құралдан ұшқындар шығады және ұшқындар шаңды немесе буларды тұтандыруы мүмкін.

### 2.3 Электр қауіпсіздігі

- ▶ **Аспаптың біріктіруші ашасы электр розеткасына сай болуы керек.** Ашаның конструкциясын өзгертпеңіз. Қорғауыш жерге қосылымы бар аспаптар үшін штекерлік адаптерлерді пайдаланбаңыз. Түпнұсқа ашаларды және оларға сай розеткаларды қолдану электр тогының соғу қаупін азайтады.
- ▶ **Ашаны барлық жергілікті жағдайларға сай берік орнатылған, қолайлы жерге қосылған розеткаға қосыңыз.** Егер розетканың сенімді бекітілгеніне күдіктенсеңіз, оны білікті электрші маман тексеруі керек.
- ▶ **Жерге қосылған беттерге, мысалы, құбырларға, жылыту құралдарына, пештерге (плиталарға) және тоңазытқыштарға тікелей тиюді болдырмаңыз.** Жерге қосылған заттарға тигенде электр тогының соғуының үлкен қаупі туындайды.
- ▶ **Желілік кабельдің шалшықтармен өтпейтініне көз жеткізіңіз.**
- ▶ **Тұрақты түрде аспаптың электр қамту кабелін тексеріңіз.** Зақымдалған кабельді ауыстыруды Hilti компаниясының сервис орталығында өткізу керек. Тұрақты түрде ұзартқыш кабельдерді тексеріңіз және зақымдар бар болғанда оларды ауыстырыңыз.
- ▶ **Егер жұмыс кезінде желілік және/немесе ұзартқыш кабель зақымдалса, оған тиюге тыйым салынады.** Желілік кабельді розеткадан шығарыңыз. Ақаулы желілік кабельдер және ұзартқыш кабель электр тогының соғу қаупін тудырады.
- ▶ **Кабельді басқа мақсатта қолданбаңыз, мысалы, аспапты тасымалдау, оны іліп қою немесе розеткадан ашаны шығару үшін.** Кабельді жоғары температуралардың, майдың, үшкір жиектердің немесе аспаптың айналатын түйіндерінің әсерінен қорғаңыз. Кабель зақымдалуының немесе шатасуының нәтижесінде электр тогының соғу қаупі артады.
- ▶ **Егер электр құралмен жұмыстар ашық ауада орындалса, тек бөлмелерден тыс қолдануға рұқсат етілген ұзартқыш кабельдерді пайдаланыңыз.** Бөлмелерден тыс қолдануға жарамды ұзартқыш кабельді пайдалану электр тогының соғу қаупін азайтады.
- ▶ **Ток үзілген жағдайда аспапты өшіріңіз және желілік штекерді ажыратыңыз.**
- ▶ **Ендірілген розетканы тек пайдалану бойынша нұсқаулықта көрсетілген мақсаттарда қолдануға рұқсат етіледі.**
- ▶ **Кір немесе ылғалды аспапты пайдалануға тыйым салынады.** Қолайсыз жағдайларда аспап бетінде жиналатын ылғал мен шаң (әсіресе төк өткізгіш материалдардан) электр тогының соғуын тудыруы мүмкін. **Төк өткізгіш материалдарды өңдеу қажет болған кезде, кірленген аспапты жүйелі түрде Hilti сервис орталығына тексертіңіз.**
- ▶ **Артық жүктемеден өрт қаупі туындайды!** Аспап розеткасына жалғанған электр құралы арқылы 8 А шамасындағы рұқсат етілген максималды токтан асырмаңыз.

### 2.4 Адамдардың қауіпсіздігі

- ▶ **Сақ болыңыз, не істеп жатқаныңызды қадағалаңыз және аспаппен жұмыс істегенде ақылды пайдаланыңыз.** Аспапты шаршап тұрған күйде немесе есірткілер, алкоголь немесе дәрілер әсерінің астында болсаңыз пайдаланбаңыз. Аспаппен жұмыс істегендегі бір сәт зейінсіздік ауыр жарақаттарға әкелуі мүмкін.
- ▶ **Аспаппен жұмыс істегенде жұмыс істейтін адам және оның жанындағы тұлғалар тиісті қорғауыш көзілдірікті, қорғауыш шлемді, қорғауыш құлаққапты, қорғауыш қолғаптарды және жеңіл респираторды киюі керек.**
- ▶ **Сорғыштың домалап кетпеуін немесе құламауын қадағалаңыз.**
- ▶ **Сорғыштың берік тұруына жол беру үшін дөңгелек тежегіштерін іске қосыңыз.** Дөңгелек тежегіштері ашық болса, сорғыш қозғалысы бақыланбауы мүмкін.
- ▶ **Жергілікті қауіпсіздік техникасының ережелерін сақтаңыз.**
- ▶ **Егер шаңды жинау және кетіруге арналған аспаптарды қосу қарастырылған болса, олар қосылғанына және мақсаты бойынша қолданылып жатқанына көз жеткізіңіз.** Шаңды кетіру модулін пайдалану шаңның зиянды әсерін азайтады.



- ▶ Аспап розеткасына жалғанған электр құралы қосылған кезде, сорғыш автоматты түрде қосылады. Сорғыштың күтілмеген іске қосылуы жарақат алу қаупін төндіруі мүмкін.

## 2.5 Шаңсорғыштың қауіпсіздік бойынша нұсқаулары

- Қызмет көрсетуші мамандар шаңсорғышпен жұмыс істеу бойынша нұсқауларды алдын ала алуы керек, сондай-ақ, қоқыстар төндіретін қауіп және оларды қауіпсіз жою туралы хабардар етілуі керек.
- Осы шаңсорғышты адамдарға және жануарларға бағыттауға тыйым салынады.
- Шаңсорғышты тұрақты түрде үздіксіз жұмыс режимінде, автоматты немесе жартылай автоматты қондырғыларда қолданбаңыз.
- Шаңсорғыш корпусын заттарды қоятын тұғыр ретінде пайдаланбаңыз.
- Шаңсорғышты су астында қолдануға тыйым салынады.

## 2.6 Қоқыстар

- ▶ **Денсаулыққа қауіпті, тұтанғыш және/немесе жарылғыш шаңды соруға тыйым салынады (мысалы, магний немесе алюминий шаңы). 60°C (140°F) температурасынан ыстық материалдарды соруға тыйым салынады (мысалы, бықситын шылым, ыстық күл).**
- ▶ Жұмысты бастамас бұрын әрдайым жұмыс кезінде пайда болуы мүмкін денсаулық үшін қауіпті шаңның қауіп класын тексеріңіз. Асбест және қорғасын сияқты денсаулық үшін қауіпті материалдар өнімнің мақсаты бойынша пайдалану аясына **кірмейтіні** анық және оларды өңдеуге тыйым салынады → Бет 32. Сонда да құрамында қорғасын немесе асбест бар материалдарды өңдеген жағдайда, өнімнің арналған өндіруші кепілдігі өз күшінен айырылады.
- ▶ Ажарлау, егеуқұм қағазымен тазалау, кесу және бұрғылау кезінде пайда болатын шаңның құрамында қауіпті химиялық заттар болуы мүмкін. Мысалдары келесідей: қорғасын немесе қорғасын негізіндегі бояулар; плитка, бетон және басқа да кірпіш қалау өнімдері, табиғи тас және басқа да кварцты өнімдер; өмен, шамшат және химиялық затпен өңделген сүрек сияқты белгілі бір сүрек түрлері; асбест немесе құрамында асбест бар материалдар. Пайдаланушы мен оның айналасындағы адамдарға әсер ету дәрежесін өңдеу орындалатын материалдардың қауіп класы бойынша анықтаңыз. Әсерді қауіпсіз деңгейде сақтау үшін шаң жинайтын жүйелерді пайдалану немесе арнайы тыныс алу органдарының қорғанысын киіп жүру сияқты қажетті шараларды қолданыңыз. Әсер ету дәрежесін азайту бойынша жалпы шараларға төмендегілер жатады:
  - ▶ Жақсы желдетілген аймақта жұмыс істеу,
  - ▶ Шаңның ұзақ уақыт бойы тиюіне жол бермеу,
  - ▶ Шаңды көз бен денеден алыстату,
  - ▶ Қорғаныс киімін киіп жүру және әсер етілген жерлерді сумен және сабынмен жуу.
- ▶ **Жанғыш, жарылғыш, агрессивті сұйықтықтарды соруға тыйым салынады (салқындатқыш және майлағыш заттар, бензин, еріткіштер, қышқылдар (pH < 5), сілтілер (pH > 12,5) және т.б.).**
- ▶ **Көбік немесе сұйықтықтар шыққанда аспапты дереу өшіріңіз.**
- ▶ **Макс. температурасы 60°C (140°F) болатын ыстық материалдарды сору кезінде қорғауыш қолғапты киіп жүріңіз.**
- ▶ **Минералды жыныстарды бұрғылаудан кейін қорғауыш киімді киіңіз және олардың теріге тиюін болдырмаңыз (pH > 9, күйдіргіш зат)**
- ▶ **Сілтілік немесе қышқылдық сұйықтықтарға тимаңыз. Кездейсоқ тигенде сумен шайыңыз. Көзге осындай сұйықтықтар тигенде судың көп мөлшерімен шайыңыз және дереу дәрігерден көмек алыңыз.**

VC 5L

### L класты сорғыштар үшін қосымша

- ▶ L шаң класына жататын аспап құрғақ, жанғыш емес шаң, ағаш жоңқасын және шығарылымның шектік мәні 1 мг/м<sup>3</sup>-ден үлкен зиянды шаңды соруға арналған.

VC 5M

### M сорғыштарындағы қосымша

- ▶ M шаң класына жататын аспап құрғақ, жанғыш емес шаң түрлерін, ағаш жоңқасын және әсер етудің шектік мәні  $\geq 0,1$  мг/м<sup>3</sup> болатын қауіпті шаңды соруға арналған.

## 2.7 Сорғышпен ұқыпты жұмыс істеу және пайдалану

- ▶ Сорғышты еш жағдайда қараусыз қалдырмаңыз.
- ▶ Сорғышты аяздан қорғаңыз.



2298710

Қазақ

31

- ▶ Толтыру деңгейін бақылау тетігінде (қалтқы) кірдің және көзге түсетін зақымдардың бар-жоғын жүйелі түрде тексеріп тұрыңыз және қажет болса, қалтқыдағы ірі қоқысты тазартыңыз.
- ▶ Сорғыш бастиегін орнатқанда сақ болыңыз: қолдың қысылуын және желілік кабельдің зақымдалуын болдырмаңыз. Жарақат алу және зақымдау қаупі бар.
- ▶ Сорғыш пен керек-жарақтарда зақымдардың жоқтығын тексеріп шығыңыз. Аспапты әр пайдалану алдында қорғауыш аспаптардың және оңай зақымдалатын бөлшектердің дұрыстығын және қызмет етуін мұқият тексеріңіз. Қозғалмалы бөлшектерде зақымдар жоқ екенін тексеріңіз. Олар сыналануларсыз, еркін қозғалуы керек. Барлық бөлшектер дұрыс монтаждалуы және сорғыштың дұрыс жұмысын қамтамасыз ететін барлық шарттарға сай болуы керек.
- ▶ Сорғышты тек түпнұсқа қосалқы бөлшектерді қолданатын білікті техник маманға жөндеуге беріңіз. Осылайша сорғыш қауіпсіздігінің сақталуын қамтамасыз етесіз.
- ▶ Сорғышты қолданбаған кезде (жұмыс үзілістерінде), күтім және техникалық қызмет көрсету алдында, керек-жарақтарды алмастыру алдында немесе сүзгіні алмастыру алдында желілік штекерді әрдайым розеткадан суырып шығарыңыз. Бұл сақтық шарасы сорғыштың кездейсоқ іске қосылуына жол бермейді.
- ▶ Ешбір жағдайда аспапты желілік кабель артындағы басқа жұмыс орнына жылжытпаңыз. Сорғышты желілік кабельдің үстінен домалатпаңыз.
- ▶ Сорғышты кран көмегімен тасымалдамаңыз.

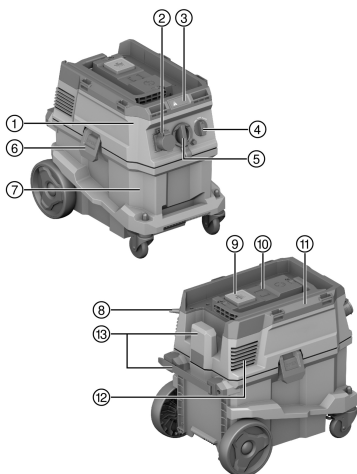
VC 5M

### М сорғыштарындағы қосымша

- ▶ Аспапты тасымалдаған және қолданбаған кезде кіріс фитингінсің жапқыш тығынмен жабыңыз.

## 3 Сипаттама

### 3.1 Өнімге шолу



- ① Сорғыш бастиегі
- ② Аспап розеткасы (қосымша)
- ③ Индикация және басқару панелі
- ④ Аспап ажыратқышы
- ⑤ Кіріс фитингісі (сорғыш шланг)
- ⑥ Контейнер құлпы
- ⑦ Кір контейнері
- ⑧ Желілік кабель
- ⑨ «Сүзгіні қолмен тазалау» басқару түймесі
- ⑩ Радио модульге арналған жапқыш (қосымша)
- ⑪ Тұтқыш
- ⑫ Ауа шығару саңылауы
- ⑬ Желілік кабельге арналған тасымалдау ілмегі (бекіту мүмкіндігі бар)

### 3.2 Мақсатына сай қолдану

Сипатталған өнім өндірістік салада, мысалы, құрылыс орындары, мейманханалар, мектептер, ауруханалар, фабрикалар, дүкендер, кеңселер мен жалға беру кәсіпорындарында пайдалануға арналған эмбебап шаңсорғыш болып табылады. Өнім құрғақ және ылғалды аймақта пайдалануға жарамды. Өнімді адамдарға және жануарларға бағыттауға тыйым салынады. Сорғышты су астында қолдануға тыйым салынады.

Бұл өнім **Hilti SafeSet** жинағын пайдалану үшін рұқсат етілмейді.

- ▶ Өніммен жұмыс істемес бұрын қызмет көрсету, материалдардан пайда болатын зияндар мен материалдарды қауіпсіз кәдеге жарату бойынша мәліметтермен танысыңыз.



- ▶ Өнімді тұрақты түрде үздіксіз жұмыс режимінде автоматты немесе жартылай автоматты қондырғыларда қолданбаңыз.
- ▶ Жарақат алу қауіптерін болдырмау үшін **Hilti** ұсынған түпнұсқа керек-жарақтар мен құралдарды ғана қолданыңыз.
- ▶ Электр статикалық потенциалдың пайда болуын болдырмау үшін антистатикалық соратын шлангіні қолданыңыз.
- ▶ Шаң жинағыш қабы арқылы жарақат тигізе алатын заттарды сорғышпен тазаламаңыз (мысалы, үшкір немесе өткір жиекті заттарды).
- ▶ Өнімді саты ретінде қолданбаңыз.
- ▶ Жергілікті қауіпсіздік техникасының ережелерін сақтаңыз.

#### Пайдалану саласы

Бұл өнім өнеркәсіптік салада төмендегі әрекеттерге арналған:

- Қабырға мен еден беттерін ылғалды және құрғақ тазалау
- Шаңның аз мөлшерлерін **Hilti** алмасты ажарлағыштарымен, абразивті ажарлағыштарымен, перфораторларымен және құрғақ бұрғылау коронкаларымен сору.
- Макс. температурасы 60°C (140°F) шамасынан кем болатын май мен сұйық заттердерді сору.

VC 5L

#### L класты сорғыштар үшін қосымша

Құрғақ, жанғыш емес шаңдар, сұйықтықтар, ағаш жоңқасын және шығарылымның шектік мәні 1 мг/м<sup>3</sup>-ден үлкен (L шаң класы) зиянды шаңдарды сору.

VC 5M

#### M сорғыштарындағы қосымша

Құрғақ, жанғыш емес шаң түрлерін, сұйықтықтарды, ағаш жоңқасын және әсер етудің шектік мәні  $\geq 0,1$  мг/м<sup>3</sup> болатын (M шаң класы) зиянды шаң түрлерін сору.

Шаңды жинау кезінде, пайдаланылған ауа бөлмеге қайтып кірген жағдайда, бөлме ішінде жеткілікті ауа алмасу деңгейін (L) қамтамасыз ету қажет. Ұлттық ережелерді сақтаңыз.

### 3.3 Жеткізілім жинағы

Ылғалды және құрғақ тазалауға арналған шаңсорғыш, соның ішінде сүзгіш элемент, айналмалы муфтасы (шаңсорғыш жағында) және құрал муфтасы бар сорғыш шланг, пайдалану бойынша нұсқаулық



Оған қоса өніміңіз үшін рұқсат етілген жүйелік өнімдерді **Hilti Store** дүкенінде немесе мына веб-сайттан табуға болады: [www.hilti.group](http://www.hilti.group)

## 4 Техникалық сипаттамалар

### 4.1 Өнім сипаттары

	VC 5L	VC 5M
Салмағы	11 кг	11 кг
Габаритті өлшемдері (Ұ×Е×Б)	530 мм × 380 мм × 500 мм	530 мм × 380 мм × 500 мм
Контейнер көлемі	30 л	30 л
Шаң үшін пайдалы көлем	23 кг	23 кг
Сұйықтық үшін пайдалы көлем	20 л	20 л
Ауа температурасы	-10 °C ... 40 °C	-10 °C ... 40 °C
Сүзгіні тазалау	қолмен	қолмен
Макс. қосымша жүктеме	25 кг	25 кг
Желі жиілігі	50 Гц ... 60 Гц	50 Гц ... 60 Гц
Қорғау класы	I	I
Қорғау класы	IP X4	IP X4



#### 4.2 Номиналды кернеу

	100 В	110 В	110 В (GB 32 A)
Номиналды тұтынылатын қуат	1000 Вт	1100 Вт	1100 Вт
Электр құралына арналған жалғағыш сымы кіріктірілген құрылғы розеткасы	•/•	•/•	600 Вт
Желілік қосылым (түрі)	VCT 3×2 mm <sup>2</sup>	VCTF 3×2 mm <sup>2</sup>	H07 RN-F 3G 1,5 mm <sup>2</sup>

	220 - 240 В	220 - 240 В (CH)	220 - 240 В (GB)
Номиналды тұтынылатын қуат	1200 Вт	1200 Вт	1200 Вт
Электр құралына арналған жалғағыш сымы кіріктірілген құрылғы розеткасы	2300 Вт	1100 Вт	1900 Вт
Желілік қосылым (түрі)	H07 RN-F 3G 1,5 mm <sup>2</sup>	H07 RN-F 3G 1,5 mm <sup>2</sup>	H07 RN-F 3G 1,5 mm <sup>2</sup>

	220 - 240 В (NZ)
Номиналды тұтынылатын қуат	1200 Вт
Электр құралына арналған жалғағыш сымы кіріктірілген құрылғы розеткасы	1200 Вт
Желілік қосылым (түрі)	H07 RN-F 3G 1,5 mm <sup>2</sup>

#### 4.3 Максималды көлемді ток пен максималды төменгі қысым

	100 В	110 В	220 - 240 В
Макс. көлемді ағын (турбина)	70 л/с	71 л/с	74 л/с
Макс. көлемді ағын (шланг ұшы)	144 м <sup>3</sup> /сағ (40 л/с)	144 м <sup>3</sup> /сағ (40 л/с)	144 м <sup>3</sup> /сағ (40 л/с)
Ең көп сирету	19,5 кПа (195 мбар)	21,5 кПа (215 мбар)	22,5 кПа (225 мбар)

	220 - 240 В (CH)	220 - 240 В (GB)	220 - 240 В (NZ)
Макс. көлемді ағын (турбина)	74 л/с	74 л/с	74 л/с
Макс. көлемді ағын (шланг ұшы)	144 м <sup>3</sup> /сағ (40 л/с)	144 м <sup>3</sup> /сағ (40 л/с)	144 м <sup>3</sup> /сағ (40 л/с)
Ең көп сирету	22,5 кПа (225 мбар)	22,5 кПа (225 мбар)	22,5 кПа (225 мбар)

#### 4.4 EN 60335 стандартына сай өлшенген шу мен діріл туралы ақпарат

Шу қысымының деңгейі (L <sub>pA</sub> )	76 дБ(A)
Дыбыс қысымының деңгейі бойынша дәлсіздік (K <sub>pA</sub> )	2 дБ(A)
Тербелістің шығыс мәні	< 2,5 м/с <sup>2</sup>

## 5 Ұзартқыш кабельді қолдану

### Ұзартқыш кабельді қолдану



#### ЕСКЕРТУ

**Зақымдалған кабельден қауіп бар!** Егер жұмыс кезінде желілік немесе ұзартқыш кабель зақымдалса, оған тиюге тыйым салынады. Желілік кабельді розеткадан шығарыңыз.

► Аспаптың желілік кабелін тұрақты түрде тексеріңіз және зақымдалған кабельді ауыстыру үшін тәжірибелі электрші маманды шақырыңыз.

• Тек жұмыс аймағы үшін рұқсат етілген, көлденең қимасы жеткілікті ұзартқыш кабельдерді қолданыңыз. Өзге жағдайда аспапта қуаттың жоғалуы және кабель қызып кетуі мүмкін.



- Ұзартқыш кабельде зақымдардың бар-жоғын жүйелі түрде тексеріп тұрыңыз.
- Зақымдалған ұзартқыш кабельді ауыстыру керек.
- Ашық ауада жұмыс істегенде тек пайдалануға рұқсат етілген, сәйкес белгілеуі бар ұзартқыш кабельдерді қолданыңыз.



Ұсынылатын минималды көлденең қималар мен максималды кабель ұзындықтары осы құжаттаманың соңында QR коды ретінде қолжетімді.

## 6 Жұмысқа дайындық

### АБАЙЛАҢЫЗ

**Жарақат алу қаупі бар!** Өнімнің кездейсоқ іске қосылуы.

- ▶ Аспап реттеулерін орындау немесе қосалқы бөлшектерді алмастыру алдында желілік ашаны тартып шығарыңыз.

Осы құжаттамадағы және өнімдегі қауіпсіздік және ескерту нұсқауларын орындаңыз.

## 7 Жұмысқа дайындық

### 7.1 Шаң жинағыш қапты (тоқымасыз) енгізу

1. Кабель ашасын желілік розеткадан шығарыңыз.
2. 2 контейнер құлпын ашыңыз.
3. Сорғыш бастиегін кір контейнерінен көтеріп алыңыз.
4. Қажет болса, шаң жинағыш қапты толықтай шығарыңыз.
5. Шаң жинағыш қапты адаптермен бірге екі орналастыру штифтісіне енгізіңіз.
6. Сорғыш бастиегін кір контейнеріне орнатыңыз.
7. 2 контейнер құлпын жабыңыз.
8. Сорғыш бастиегі дұрыс монтаждалғанына және берік бекітілгеніне көз жеткізіңіз.
9. Сорғыш шлангіні жалғаңыз.

### 7.2 Шаң жинағыш қапты (пластик) ауыстыру

1. Кабель ашасын желілік розеткадан шығарыңыз.
2. 2 контейнер құлпын ашыңыз.
3. Сорғыш бастиегін кір контейнерінен көтеріп алыңыз.
4. Қажет болса, пластик шаң жинағыш қапты толықтай шығарыңыз.
5. Жаңа шаң жинағыш қапты (пластик) кір контейнеріне енгізіп, шаң жинағыш қапты кір контейнері жиегінің айналасында бұрап шығарыңыз.
  - ▶ Шаң жинағыш қаптың саңылаулары кір контейнерінің ішкі қуысында орналасуы тиіс.
  - ▶ Енгізілген шаң жинағыш қапты контейнер жиегіндегі қара түсті сызықтың көмегімен туралаңыз.
6. Сорғыш бастиегін кір контейнеріне орнатыңыз.
7. 2 контейнер құлпын жабыңыз.
8. Сорғыш бастиегі дұрыс монтаждалғанына және берік бекітілгеніне көз жеткізіңіз.
9. Сорғыш шлангіні жалғаңыз.

### 7.3 Сүзгіш элементті алмастыру

1. 2 контейнер құлпын ашыңыз.
2. Сорғыш бастиегін кір контейнерінен көтеріп алыңыз.
3. Сүзгі жапқышын (бұрандалы жапқышты) алып тастаңыз.
4. Сүзгіш дискіні шығарыңыз.
5. Пайдаланылған сүзгіні абайлап шығарыңыз.
  - ▶ Турбина саңылауына кір түспегеніне көз жеткізіңіз!
6. Жаңа сүзгіні шаңсорғышқа орнатыңыз.
7. Сүзгіш дискіні сүзгіге нық орналастырыңыз.
8. Сүзгі жапқышын монтаждаңыз.

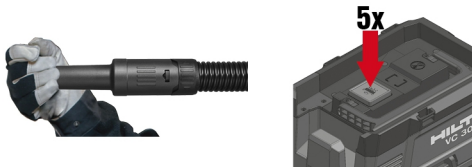



9. Сүзгіш элементтің тиісінше монтаждалғанын тексеріп, сорғыш бастиегін кір контейнерінің үстіне қойыңыз.

## 8 Басқару

### 8.1 Сүзгіні тазалау функциясын пайдалану

Сорғышта сүзгіні қолмен тазалау функциясы бар. Ең жоғары сору қуатына қол жеткізу үшін сүзгіні тазалау функциясын жүйелі түрде пайдаланып тұрыңыз.



1. Шланг ұшын жауып қойыңыз.
2. Максималды төменгі қысым орнатылғанша күтіңіз.
3.  басқару түймесін 4-5 рет басыңыз.

### 8.2 Сорғышты басқару

#### АБАЙПАҢЫЗ

**Денсаулыққа зиянды шаңнан жарақат алу қаупі бар!** Сүзетін элементті пайдаланбау қауіпті сорғыш материалдың шығуына апарып соғуы мүмкін.

- Сорғышты тек салынған сүзгіш элементпен пайдаланыңыз.

1. Желілік ашаны жалғау алдында функцияны таңдау қосқышының **OFF** күйінде тұрғанына көз жеткізіңіз.
2. Сорғыштың желілік кабель ашасын розеткаға салыңыз.
3. Аспап ажыратқышын **ON** күйіне бұраңыз.

### 8.3 Құрылғы розеткасын пайдалану



Ендірілген розетка тек электр құралдарын сорғышқа тікелей қосуға арналған.

Электр құралды ендірілген розеткаға қосқанда, пайдалану бойынша нұсқаулықты және ондағы қауіпсіздік бойынша нұсқауларды сақтау керек.

Электр құралды өшіргеннен кейін сорғыш соратын шлангідегі шаңды сору үшін тағы біраз уақыт жұмыс істейді.

**Тек Швейцария және Лихтенштейн нарықтарына арналған:** Құрылғы розеткасын тек құрғақ орта жағдайларында жұмыс істеген кезде пайдаланыңыз.

1. Сорғыштың желілік кабель ашасын розеткадан шығарыңыз.
2. Қосылатын электр құралының ең жоғары тұтынатын қуаты аспаптың штепсельдік розетка құралының ең жоғары қуатының рұқсат етілген шектерінен аспайтынын тексеріңіз, «Техникалық параметрлер» бөлімін және аспаптың штепсельдік розеткасындағы белгіні қараңыз.
3. Электрлік құралды желілік розеткаға қосу алдында электрлік құралдың өшірілгеніне көз жеткізіңіз.
4. Электрлік құралдың желілік кабель ашасын розеткаға салыңыз.
5. Сорғыштың желілік кабель ашасын розеткаға салыңыз.
6. Аспап ажыратқышын **AUTO** күйіне бұраңыз.
7. Ендірілген розеткаға қосылған электр құралды іске қосыңыз.

### 8.4 Құрғақ шаңды сору



Құрғақ шаңды (әсіресе минералды) сору алдында шаң жинағышқа сәйкес шаң жинағыш қап орнатылғанына көз жеткізіңіз. Бұл жиналған материалды оңай және теза утилизациялауға мүмкіндік береді.





- ▶ Сүзгіш элемент құрғақ екенін және тиісті шаң жинағыш орнатылғанын тексеріңіз.

## 8.5 Сұйықтықтарды сору

### 8.5.1 Дайындау және орындау



Мүмкін болса, әр жуып тазалау үшін жеке сүзгіш элементті қолданыңыз.

1. Шаң жинағыш қапты кір контейнерінен шығарыңыз.
2. Толтыру деңгейін бақылау тетігінің қалтқысын тексеріп, қалтқыны қажетінше тазалаңыз.
3. Жұмыс кезінде, мысалы, толтыру деңгейін бақылау тетігі іске қосылғанда, сору қуатының өзгерістерін қадағалаңыз.

### 8.5.2 Толтыру деңгейін бақылау тетігі іске қосылды

Кір контейнері максималды толтыру деңгейіне жеткенде, толтыру деңгейін бақылау тетігі іске қосылады. Жұмысты жалғастыра алу үшін кір контейнерін босатыңыз.



Үлкен мөлшерлерді сорған кезде, сұйықтық сүзгіде жиналуы және қалтқының жұмысына кедергі келтіруі мүмкін. Сұйықтықты сүзгіден жүйелі түрде толықтай ағызыңыз.

1. Аспап ажыратқышын **OFF** күйіне бұраңыз.
2. Кабель ашасын желілік розеткадан шығарыңыз.
3. 2 контейнер құлпын ашыңыз.
4. Сорғыш бастиегін кір контейнерінен көтеріп алыңыз және кір контейнерін тегіс бетке қойыңыз.
5. Ұстағыштарды ұстап, кір контейнерін босату үшін еңкейтіңіз.
6. Толтыру деңгейін бақылау тетігінің қалтқысын тексеріп, қалтқыны қажетінше тазалаңыз.
7. Сорғыш бастиегін кір контейнерінің үстіне қойып, 2 контейнер құлпын жабыңыз.

## 8.6 Сорудан соң

1. Аспап ажыратқышын **OFF** күйіне бұраңыз.
2. Кабель ашасын желілік розеткадан шығарыңыз.
3. Контейнерді босатыңыз және сорғышты ылғалды шүберекпен тазалаңыз.
4. Сорғышты бөгде тұлғалар қолдану мүмкіндігін болдырмай, құрғақ бөлмеге қойыңыз.
  - ▶ **НАЗАР АУДАРЫҢЫЗ** Аталмыш сорғышты жабық үй-жайларда ғана сақтауға болады.

### 8.6.1 Құрғақ шаң түрлерін сорғаннан кейін



Кемінде М класына жататын сорғышты әрдайым шаң жинағыш қабымен бірге пайдаланыңыз. Осылайша қоқысты азырақ шаң жүктемесімен шығаруға және кәдеге жаратуға болады.

1. 2 контейнер құлпын ашыңыз.
2. Сорғыш бастиегін кір контейнерінен көтеріп алыңыз және кір контейнерін тегіс бетке қойыңыз.
3. Ұстағыштардан ұстап, кір контейнерін босату үшін еңкейтіңіз.
  - ▶ **М сорғыштары үшін:** Шаң жинағыш қапты кір контейнерінен шығарып, шаң жинағыш қапты қолданыстағы ережелерге сәйкес кәдеге жаратыңыз.
4. Кір контейнерін су шлангісімен тазалаңыз.
5. Сорғышты және кір контейнерінің тығыздауыш бетін ылғалды шүберекпен тазалаңыз.
6. Кір контейнерін кептіріңіз.
7. Сорғыш бастиегін кір контейнерінің үстіне қойып, 2 контейнер құлпын жабыңыз.

### 8.6.2 Сұйықтықтарды сорғаннан кейін

1. 2 контейнер құлпын ашыңыз.
2. Сорғыш бастиегін кір контейнерінен көтеріп алыңыз және кір контейнерін тегіс бетке қойыңыз.
3. Ұстағыштардан ұстап, кір контейнерін босату үшін еңкейтіңіз.
4. Кір контейнерін су шлангісімен тазалаңыз.
5. Сорғышты және кір контейнерінің тығыздауыш бетін ылғалды шүберекпен тазалаңыз.
6. Сүзгіш элемент және контейнер кебуі үшін, сорғыш бастиегін контейнерден бөлек қойыңыз.



## 9 Сорғышқа күтім көрсету бойынша нұсқаулар

### ЕСКЕРТУ

**Ток соғудан қауіп бар!** Электрлік бөлшектерді қате жолмен жөндеу ток соғудан ауыр жарақат алуға әкелуі мүмкін.

- ▶ Электрлік бөлшектерді жөндеу жұмысын тек электрші маман орындауы тиіс.
- ▶ Сорғышты, әсіресе тұтқыштың беттерін таза және құрғақ күйде, май мен жағармайдың іздерінсіз сақтаңыз. Құрамында силикон бар тазалау заттарын қолданбаңыз.
- ▶ Сорғышты бітелген желдету саңылауларымен қолдануға болмайды! Желдету саңылауын жайлап құрғақ щеткамен тазалаңыз. Турбина саңылауының Ішкі бөлігіне бөгде заттардың кіруін болдырмаңыз.
- ▶ Сорғыштың сыртқы жағын сәл суланған шүберекпен жүйелі түрде тазалап тұрыңыз. Тазалау үшін бүрікіш аспаптарды, бу ағызу аспаптарын немесе ағатын суды қолданбаңыз, себебі сорғыштың электрлік қауіпсіздігі бұзылуы мүмкін.
- ▶ Контейнердің жоғарғы жиегін және оның ойығын тазалау қажеттігіне ерекше назар аударыңыз, себебі бұл кір жинағыш пен сорғыш бастиегі арасындағы тығыздауыш үшін маңызды болып табылады.

## 10 Тасымалдау және сақтау

Сорғышты толы кір жинағышпен бірге тасуға тыйым салынады.

Сорғышты кранға ілуге тыйым салынады.

- ▶ Босап тұрған құралды ұстағыштан шығарыңыз.
- ▶ Сорғышты басқа жерге тасымалдамас бұрын босатыңыз.
- ▶ Сұйықтықтар сорылған жағдайда, сорғышты төңкермеңіз және оны тек тігінен тұрғызып тасымалдаңыз.
- ▶ Тасымалдау үшін шлангінің екі ұшын конус тәрізді жалғастырғыш тетік арқылы енгізіңіз.

VC 5M

### М класты сорғыштар үшін

#### ЕСКЕРТУ

**Денсаулыққа зиянды шаңнан жарақат алу қаупі бар!** Кіріс фитингісі арқылы қауіпті сорғылау материалы шығуы мүмкін.

- ▶ Сорғышты тасымалдаған және қолданбаған кезде кіріс фитингісін жапқыш тығынмен жабыңыз.

## 11 Ақаулықтардағы көмек

Бұл кестеде келтірілмеген немесе өзіңіз түзете алмайтын ақаулықтар орын алғанда, **Hilti** қызмет көрсету орталығына хабарласыңыз.

Ақаулық	Ықтимал себеп	Шешім
Сору қуаты жоқ немесе төмендетілген.	Сүзгіш элемент бітелген немесе ескірген.	<ul style="list-style-type: none"> <li>▶ Кір контейнерінің толтыру деңгейін тексеріңіз.</li> <li>▶ Сүзгіні қолмен тазалау функциясын пайдаланыңыз. → Бет 36</li> <li>▶ Қажет болса, сүзгіні алмастырыңыз.</li> </ul>
	Сүзгіш элемент енгізілмеген.	<ul style="list-style-type: none"> <li>▶ Жарамды сүзгіш элементті орнатыңыз.</li> </ul>
Оптикалық ескерту сигналы (сору қуаты азайтылған)	Шаңға арналған қап толығымен толған.	<ul style="list-style-type: none"> <li>▶ Шаңға арналған қапты ауыстырыңыз.</li> </ul>
	Сүзгіш элемент қатты ластанған.	<ul style="list-style-type: none"> <li>▶ Сүзгіні қолмен тазалау функциясын іске қосыңыз (оңтайлы тазалау қуаты үшін сорғыш шлангінің саңылауын жауып қойыңыз).</li> </ul>



Ақаулық	Ықтимал себеп	Шешім
Оптикалық ескерту сигналы (сору қуаты азайтылған)	Электр құралдың сорғыш шлангісі немесе шаң жинағышы бітелген.	▶ Сорғыш шлангіні және шаң жинағышты тазалаңыз.
Шаң аспаптан үрленіп шығарылады.	Сүзгіш элемент дұрыс емес орнатылған.	▶ Сүзгіш элементті жаңадан орнатыңыз.
	Сүзгіш элемент зақымдалған.	▶ Жаңа сүзгіш элементті орнатыңыз.
	Сүзгіш элемент енгізілмеген.	▶ Жарамды сүзгіш элементті орнатыңыз.
Аспаптың өздігінен қосылуы және өшуі, аспапқа тигенде статикалық разряд.	Электростатикалық разряд қамтамасыз етілмейді, аспап жерге тұйықталмаған розеткаға қосылған.	▶ Аспапты жерге тұйықталған розеткаға жалғаңыз, антистатикалық шлангіні қолданыңыз.
Қозғалтқыш іске қосылмайды.	Желілік розетка сақтандырғышы іске қосылды.	▶ Сақтандырғышты қосыңыз. ▶ Қайта іске қосылғанда шамадан тыс жүктеме тогының пайда болуының себебін анықтаңыз.
	Кір контейнері толы.	▶ Аспапты өшіріп, кір контейнерін босатыңыз.
	Қозғалтқыштың жылу қорғанысы іске қосылды.	▶ Аспапты өшіріп, 5 минут салқындауына мүмкіндік беріңіз. ▶ Қозғалтқыш іске қосылмайды, аспапты <b>Hilti</b> қызмет көрсету орталығына апарыңыз.
	Қозғалтқыштың термосақтандырғышы қозғалтқышты қайта-қайта өшіреді.	▶ Желдету саңылауын жайлап құрғақ щеткамен тазалаңыз.
Қозғалтқыш автоматты режимде жұмыс істемейді.	Қосылған аспап ақаулы немесе дұрыс емес қосылған.	▶ Қосылған аспаптың функциясын тексеріңіз немесе желілік штекерді берік жалғаңыз.

## 12 Кәдеге жарату

**Hilti** аспаптары қайта өңдеу үшін жарамды көптеген материалдардың санын қамтиды. Кәдеге жарату алдында материалдарды мұқият сұрыптау керек. Көптеген елдерде **Hilti** компаниясы ескі аспабыңызды қайта өңдеу үшін қайта қабылдайды. **Hilti** қызмет көрсету орталығынан немесе дилеріңізден сұраңыз.



- ▶ Электр құралдарды, электрондық құрылғылар мен аккумуляторларды тұрмыстық қоқыспен бірге тастамаңыз!

## 13 Өндіруші кепілдігі

- ▶ Кепілдік шарттары туралы сұрақтарыңыз болса, жергілікті **Hilti** серіктесіне жолығыңыз.

## 14 Қосымша ақпарат

Басқару, техника, қоршаған орта және қайта өңдеу туралы қосымша ақпаратты мына сілтеме бойынша қараңыз: [qr.hilti.com/manual/?id=2297598&id=2298710](http://qr.hilti.com/manual/?id=2297598&id=2298710)

Бұл сілтеме құжаттаманың соңында QR коды ретінде қолжетімді.



# オリジナル取扱説明書

## 1 取扱説明書について

### 1.1 本取扱説明書について

- ご使用前にこの取扱説明書をすべてお読みください。このことは、安全な作業と問題のない取扱いのための前提条件となります。
- 本取扱説明書および製品に記載されている安全上の注意と警告表示に注意してください。
- 取扱説明書は常に製品とともに保管し、他の人が使用する場合には、製品と取扱説明書を一緒にお渡しください。

### 1.2 記号の説明

#### 1.2.1 警告表示

警告表示は製品の取扱いにおける危険について警告するものです。以下の注意喚起語が使用されています：

#### 危険

危険！

- この表記は、重傷あるいは死亡事故につながる危険性がある場合に注意を促すために使われます。

#### 警告

警告！

- この表記は、重傷あるいは死亡事故につながる可能性がある場合に注意を促すために使われます。

#### 注意

注意！

- この表記は、身体の負傷あるいは物財の損傷が発生する可能性がある場合に使われます。

#### 1.2.2 本書の記号

文書には以下の記号が使用されています：

	使用前に取扱説明書をお読みください
	注意
	本製品を効率良く取り扱うための注意事項や役に立つ情報
	リサイクル可能な部品の取扱い
	電動工具およびバッテリーを一般ゴミとして廃棄してはなりません

#### 1.2.3 図中の記号

図中では以下の記号が使用されています：

	この数字は本取扱説明書冒頭にある該当図を示しています
	付番は図中の作業手順の順序に対応していて、本文の作業手順とは一致しない場合があります
	概要図には項目番号が付されていて、製品概要セクションの凡例の番号に対応しています
	この記号は、製品の取扱いの際に特に注意が必要なことを示しています。

### 1.3 製品により異なる記号

#### 1.3.1 製品に表示されている記号

製品には以下の記号が使用されている場合があります：





クレーンによる搬送禁止

#### 1.4 製品に取り付けられているステッカー

**警告事項：**この集じん機内には、健康を損なう危険がある粉じんが取り込まれています。ダストバッグを空にする際、手入れの際には（ダストバッグの廃棄を含む）、必ず適切な保護用具を着用した専門の担当者が作業を行うようにしてください。集じん機は、必ず完全に問題なく機能するフィルタースystemとともに作動させてください。

VC 5L



L 集じん機

VC 5M



M 集じん機

#### 1.5 製品情報

**Hilti** 製品はプロ仕様で製作されており、その使用、保守、修理を行うのは、認定を受けトレーニングされた人のみに限ります。これらの人は、遭遇し得る危険に関する情報を入手していなければなりません。本製品およびアクセサリーの使用法を知らない者による誤使用、あるいは規定外の使用は危険です。

機種名および製造番号は銘板に表示されています。

- ▶ 製造番号を以下の表に書き写しておいてください。ヒルティ代理店やサービスセンターへお問い合わせの際には、製品データが必要になります。

製品データ

乾湿兼用バキュームクリーナー	VC 5L VC 5M
製品世代	01
製造番号	

#### 1.6 適合宣言

製造者は、単独の責任において本書で説明している製品が有効な法規と有効な標準規格に適合していることを宣言します。適合宣言書の複写は本書の末尾にあります。

技術資料は本書の後続の頁に記載されています：

Hilti Entwicklungsgesellschaft mbH | Zulassung Geräte | Hiltistraße 6 | 86916 Kaufering, DE

## 2 安全

#### 2.1 一般安全注意事項

この取扱説明書の各項に記された安全注意事項の外に、下記事項を必ず守ってください。

- ▶ すべての注意事項をお読みください！以下の注意事項を守らないと、感電、火災、重大な怪我の恐れがあります。
- ▶ 本体を電動工具と接続して使用する場合、ご使用前に電動工具の取扱説明書をよく読み、すべての注意事項を守ってください。



2298710

日本語

41

- ▶ 本体の加工や改造は絶対に行わないでください。
- ▶ 用途に合った工具をご使用してください。本体を本来の目的以外には使用しないでください。必ず、指示にしたがい、不具合のない状態で使用してください。
- ▶ 本体を使用する作業の前に、その取扱い、吸引する物質から生じる危険およびその安全な廃棄について確認してください。
- ▶ 周囲状況を考慮してください。火災や爆発の恐れがあるような状況では、本体を使用しないでください。
- ▶ 本製品を使用することができるのは、本製品の使用に慣れていて、安全な使用のための知識を有し、発生し得る危険について理解している者のみです。本製品は子供が使用するよう設計されていません。子供が本製品に触れないようご注意ください。
- ▶ 本体を使用しない時には、確実に保管してください。未使用時には、本体を乾いた高い場所に施錠し、子供が触れない状態で保管してください。

## 2.2 作業場の安全確保

- ▶ 作業場の採光に十分配慮してください。
- ▶ 作業場の換気に十分配慮してください。作業場の換気が十分でない、粉じんによる汚染で健康を損なう恐れがあります。
- ▶ 作業場の整理整頓に心がけてください。事故の原因となり得る危険物は作業区域から取り除いておいてください。作業場が整理整頓されていないと、事故を引き起こすことがあります。
- ▶ 爆発の危険性のある環境（可燃性液体、ガスおよび粉じんのある場所）では本体を使用しないでください。電動工具から火花が飛散し、粉じんや揮発性ガスに引火する恐れがあります。

## 2.3 電気に関する安全注意事項

- ▶ 本体の接続プラグはコンセントに適合するものでなければなりません。プラグは絶対に変更しないでください。アースした本体と一緒にアダプタープラグを使用しないでください。オリジナルのプラグと適切なコンセントを使用することにより、感電の危険を小さくすることができます。
- ▶ 安全に設置され、その場のあらゆる状況に合った、アースされた適切なコンセントにプラグを差し込んでください。コンセントが確実にアースされているか疑わしい場合は、資格を有する修理スペシャリストに点検を依頼してください。
- ▶ パイプ、ラジエーター、電子レンジ、冷蔵庫などのアースされた面に体の一部が触れないようにしてください。体が触れると感電の危険が大きくなります。
- ▶ 電源コードが濡れた床面上にないことを確認してください。
- ▶ 本体の電源コードを定期的に点検し、コードに損傷がある場合はHilti サービスセンターに交換を依頼してください。延長コードを定期的に点検し、損傷がある場合は交換してください。
- ▶ 作業中に電源コードおよび/または延長コードを損傷した場合は、これらに触れないでください。電源プラグをコンセントから抜きます。損傷した電源コードや延長コードは感電の原因となり危険です。
- ▶ 本体を持ち運んだり、吊り下げたり、コンセントからプラグを抜いたりするときは、必ず本体を持ち、コードを持ったり引っ張ったりしないでください。コードを火気、オイル、鋭利な刃物、本体の可動部等に触れる場所に置かないでください。コードが損傷したり絡まったりしていると、感電の危険が大きくなります。
- ▶ 屋外工事で電気工具を使用する場合には、必ず屋外用の延長コードを使用してください。屋外用の延長コードを使用すると、感電の危険が小さくなります。
- ▶ 停電の際には本体のスイッチを切り、電源プラグを抜いてください。
- ▶ 本体コンセントは取扱説明書で指定されている目的にのみ使用してください。
- ▶ 本体は、決して汚れたあるいは濡れた状態で使用しないでください。本体表面に埃（特に導電性の物質）が付着していたり、あるいは濡れていると、好ましくない条件下においては感電の原因となることがあります。したがって特に導電性のある物質に対する作業を頻繁に行う場合は、定期的にHilti サービスセンターに本体の点検を依頼してください。
- ▶ 過負荷による火災の危険！ 本体コンセントに接続された電動工具が原因で、8アンペアの許容最大電流を超過することのないようにしてください。

## 2.4 作業者に関する安全

- ▶ 本製品を使用の際には、油断せずに十分注意し、常識をもった作業をおこなってください。疲れている場合、薬物、医薬品服用およびアルコール飲用による影響下にある場合には集じん機を使用しないでください。本体使用中の瞬間の不注意が重傷の原因となることがあります。
- ▶ 本体の使用中および保守作業中には、作業者および現場で直近に居合わせ人々は保護メガネ、保護ヘルメット、耳栓、保護手袋、安全靴および防じんマスクを着用しなければなりません。
- ▶ 集じん機が勝手に動きだしたり倒れたりしないことを確認してください。



- ▶ キャスターブレーキを操作して、集じん機を安定した状態に保ってください。キャスターブレーキがかかっていないと、集じん機が意図せず動き出す危険があります。
- ▶ 各国の定める事故防止規定に従ってください。
- ▶ 吸じんシステムの接続が可能な場合には、これらのシステムが適切に接続、使用されていることを確認してください。吸じんシステムを利用することにより、粉じん公害を防げます。
- ▶ 本体コンセントに接続された電動工具がオンにされると、集じん機は自動的にオンになります。集じん機が予期せず始動し負傷の原因となることがあります。

## 2.5 集じん機に関する安全上の注意

- 集じん機の使用者は作業の前に、本体の取扱い、吸引する物質から生じる危険およびその安全な廃棄について確認してください。
- 集じん機の吸引口を人および動物に向けてはなりません。
- 集じん機を全自動または半自動装置の固定連続動作モードで使用しないでください。
- 集じん機のハウジングを踏み台の代わりとして使用しないでください。
- 集じん機を水中で使用しないでください。

## 2.6 吸引物

- ▶ 健康を損なう危険のある、可燃性および/または爆発性の粉じんを吸引してはなりません（マグネシウムあるいはアルミニウムの粉じん）。60°C（140°F）を超過する高温の物質を吸引してはなりません（燃っている煙草の吸殻、高温の灰など）。
- ▶ 作業を開始する前に、必ず作業により発生する可能性のある健康を損なう危険がある粉じんの危険等級について確認してください。アスベストおよび鉛などの健康を損なう危険がある物質は、決して本製品の正しい用途には該当せず、それらを吸引することは認められません → 頁 44。それにもかかわらず鉛またはアスベストが含まれる物質を吸引すると、本製品に対するメーカー保証は失効します。
- ▶ 研磨、紙やすり研磨、切断および穿孔の際に発生する粉じんは、化学物質を含んでいる場合があります。これには、鉛、あるいは鉛ベースの塗料、レンガ、コンクリートおよびその他の壁用資材、自然石およびその他の石英含有製品、樫、樺などの特定の木材、および化学処理の施された木材、アスベストあるいはアスベストが含まれる母材、などが考えられます。作業対象の資材の危険等級により、作業者および周囲の人員の曝露を確認してください。曝露を安全なレベルに維持するために、粉じん吸引システムの使用、あるいは適切な防じんマスクの着用などの必要な処置を取ってください。曝露の低減のための一般的な処置としては、以下のようなものがあります：
  - ▶ 十分に換気された領域での作業
  - ▶ 粉じんと長時間の接触の回避
  - ▶ 粉じんを顔や体から遠ざける
  - ▶ 保護服を着用し、水と石鹸で曝露領域を洗浄する。
- ▶ 可燃性、爆発性、刺激性のある液体を吸引することは許可されません（冷却剤、潤滑剤、ガソリン、溶剤、電解液（pH<5）、苛性アルカリ溶液（pH>12.5）など）。
- ▶ 泡または液体が流出した場合はただちに本体のスイッチをオフにしてください。
- ▶ 高温の物質（ただし 60°C（140°F）以下）を吸引する場合は、保護手袋を着用してください。
- ▶ 鉤物ノロを取り扱う際には保護服を着用し、ノロに皮膚が触れないようにしてください（pH > 9 の刺激性）。
- ▶ アルカリ性または酸性の液体に触れないように注意してください。もしも触れてしまった場合は、水で洗い流してください。液体が眼に入った場合は、多量の水で洗い流してから医師の診察を受けてください。

VC 5L

### L 集じん機に対する追加事項

- ▶ 粉じんクラス L 用の本体は、乾燥した、不燃性の粉じん、木屑、および曝露限界値が 1 mg/m<sup>3</sup> を超過する危険粉じんの吸引に適しています。

VC 5M

### M 集じん機に関する追加事項

- ▶ 粉じんクラス M 用の装置は、乾燥した不燃性の粉じん、木屑、および曝露限界値 ≥ 0,1 mg/m<sup>3</sup> の危険粉じんの吸引に適しています。

## 2.7 集じん機の慎重な取扱いおよび使用

- ▶ 集じん機は決して放置しないでください。
- ▶ 集じん機を凍結から保護してください。



2298710

日本語

43

- ▶ ダストレベルモニター（フロート）に汚れおよび目視可能な損傷がないか定期的に点検し、必要に応じて大きな汚れをフロートから取り除いてください。
- ▶ サクションヘッドを取り付ける際には、指を挟んだり電源コードを損傷したりしないように注意してください。負傷や損傷の危険があります。
- ▶ 集じん機とアクセサリに損傷がないか点検してください。本体を続けて使用する前に、安全装置および軽度の損傷箇所について、作業に影響を及ぼすことなく規定どおりの機能を発揮できることを確認する必要があります。可動部分が問題なく動作し、動きに硬さがないか、あるいは部品に損傷がないか点検してください。すべての部品が正しく取り付けられて、集じん機が支障なく作動するための条件が整っていないければなりません。
- ▶ 集じん機の修理は必ず認定サービスセンターにお申し付けください。また、必ず純正修理部品を使用してください。これにより集じん機の安全性が確保されます。
- ▶ 未使用時（休憩時間）、手入れや保守の前、アクセサリまたはフィルター交換を行う前には、常に電源コードをコンセントから抜いておいてください。この安全措置により、集じん機の不意の始動を防止することができます。
- ▶ 集じん機を他の作業場所に移す場合、決して電源コードを引っ張らないでください。移動の際は、集じん機が電源コードを踏み付けることのないようにしてください。
- ▶ 集じん機をクレーンで搬送しないでください。

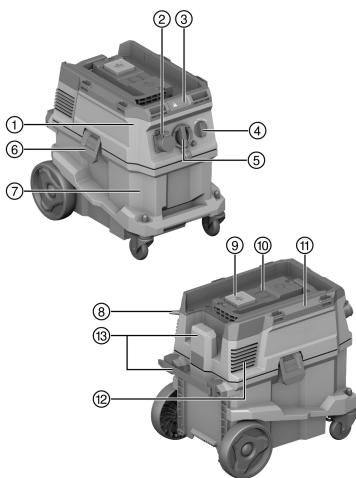
VC 5M

### M 集じん機に関する追加事項

- ▶ 本体の搬送時および本体を使用していないときには、ホースソケットをホースソケットキャップで封止してください。

## 3 製品の説明

### 3.1 製品概要



- ① サクションヘッド
- ② 本体コンセント（オプション）
- ③ 表示ディスプレイおよび操作パネル
- ④ 本体スイッチ
- ⑤ ホースソケット（サクションホース）
- ⑥ コンテナロック
- ⑦ ダストコンテナ
- ⑧ 電源コード
- ⑨ 操作ボタン「手動フィルタークリーニング」
- ⑩ 無線モジュール（オプション）用ダミーカバー
- ⑪ キャリンググリップ
- ⑫ 排気開口部
- ⑬ 電源コード用搬送フック（固定具として使用可能）

### 3.2 正しい使用

本書で説明している製品は、建設現場、ホテル、学校、病院、工場、商店、事務所、およびテナントショップなどで使用する業務用の汎用集じん機です。本製品は、乾式および湿式用途です。

本製品の吸引口を人および動物に向けてはなりません。本体を水中で使用することは許可されません。

本製品は、Hilti SafeSet アプリケーションに対しては許可されていません。

- ▶ 本製品を使用する作業の前に、取扱い、吸引する物質から生じる危険およびその安全な廃棄について確認してください。
- ▶ 本製品を全自動または半自動装置の固定連続動作モードで使用しないでください。
- ▶ 怪我の可能性を防ぐため、必ずHilti純正のアクセサリや工具のみを使用してください。
- ▶ 静電気帯電を防止するため、静電防止サクションホースを使用してください。





- ▶ ダストバックを貫通して怪我の原因となり得る物体を吸引しないでください（先端が尖った吸引物や角の鋭い吸引物など）。
- ▶ 本製品を踏み台の代わりとして使用しないでください。
- ▶ 各国の定める事故防止規定に従ってください。

#### 使用用途

本製品は以下の業務用途に適しています：

- 壁面および床面の湿式 / 乾式清掃
- Hilti ダイヤモンドグラインダー、アングルグラインダー、ロータリーハンマードリルおよび乾式コアビットを使用しての作業で発生する少量の粉じんの吸引。
- オイルおよび温度が 60°C (140°F) 未満の液体媒体の吸引。

VC 5L

#### L 集じん機に対する追加事項

乾燥した、不燃性の粉じん、液体、木屑、および曝露限界値が 1 mg/m<sup>3</sup> を超える危険粉じん（粉じんクラス L）の吸引。

VC 5M

#### M 集じん機に関する追加事項

乾燥した、不燃性の粉じん、液体、木屑、および曝露限界値 $\geq 0.1\text{mg}/\text{m}^3$  の危険粉じん（粉じんクラス M）の吸引。

排気が作業場内に放出される場合は、作業場内の空気交換率 L が充分なものである必要があります。各国の規定に従ってください。

### 3.3 本体標準セット構成

乾湿兼用バキュームクリーナー（フィルターエレメントを含む）、集じん機側回転スリーブおよび工具側スリーブを含むサクションホース一式、取扱説明書



その他のご使用の製品用に許可されたシステム製品については、弊社営業担当または **Hilti Store** にお問い合わせいただくか、あるいは [www.hilti.group](http://www.hilti.group) でご確認ください。

## 4 製品仕様

### 4.1 製品特性

	VC 5L	VC 5M
重量	11 kg	11 kg
寸法 (長さ × 幅 × 高さ)	530 mm × 380 mm × 500 mm	530 mm × 380 mm × 500 mm
コンテナ容量	30 ℓ	30 ℓ
有効集じん容量	23 kg	23 kg
有効吸水容量	20 ℓ	20 ℓ
空気温度	-10 °C ... 40 °C	-10 °C ... 40 °C
フィルタークリーニング	手動	手動
最大積載重量	25 kg	25 kg
周波数	50 Hz ... 60 Hz	50 Hz ... 60 Hz
絶縁クラス	I	I
耐候性	IP X4	IP X4

### 4.2 定格電圧

	100 V	110 V	110 V (GB 32 A)
定格電力	1,000 W	1,100 W	1,100 W
電動工具用の本体内蔵コンセントの接続コード	•/•	•/•	600 W
電源 (タイプ)	VCT 3×2 mm <sup>2</sup>	VCTF 3×2 mm <sup>2</sup>	H07 RN-F 3G 1.5 mm <sup>2</sup>



	220...240 V	220...240 V (CH)	220...240 V (GB)
定格電力	1,200 W	1,200 W	1,200 W
電動工具用の本体内蔵コンセントの接続コード	2,300 W	1,100 W	1,900 W
電源 (タイプ)	H07 RN-F 3G 1.5 mm <sup>2</sup>	H07 RN-F 3G 1.5 mm <sup>2</sup>	H07 RN-F 3G 1.5 mm <sup>2</sup>

	220...240 V (NZ)
定格電力	1,200 W
電動工具用の本体内蔵コンセントの接続コード	1,200 W
電源 (タイプ)	H07 RN-F 3G 1.5 mm <sup>2</sup>

#### 4.3 最大体積流量および最大真空度

	100 V	110 V	220...240 V
最大容積流量 (タービン)	70 ℓ/s	71 ℓ/s	74 ℓ/s
最大容積流量 (ホース終端部)	144 m <sup>3</sup> /h (40 ℓ/s)	144 m <sup>3</sup> /h (40 ℓ/s)	144 m <sup>3</sup> /h (40 ℓ/s)
最大真空度	19.5 kPa (195 mbar)	21.5 kPa (215 mbar)	22.5 kPa (225 mbar)

	220...240 V (CH)	220...240 V (GB)	220...240 V (NZ)
最大容積流量 (タービン)	74 ℓ/s	74 ℓ/s	74 ℓ/s
最大容積流量 (ホース終端部)	144 m <sup>3</sup> /h (40 ℓ/s)	144 m <sup>3</sup> /h (40 ℓ/s)	144 m <sup>3</sup> /h (40 ℓ/s)
最大真空度	22.5 kPa (225 mbar)	22.5 kPa (225 mbar)	22.5 kPa (225 mbar)

#### 4.4 騒音 / 振動について (EN 60335 に準拠)

排出サウンドプレッシャーレベル (L <sub>pA</sub> )	76 dB(A)
サウンドプレッシャーレベルの不確か性 (K <sub>pA</sub> )	2 dB(A)
排出振動値	< 2.5 m/s <sup>2</sup>

## 5 延長コードを使用する場合

### 延長コードを使用する場合

#### 警告

損傷したコードによる危険！ 作業中に電源コードまたは延長コードを損傷した場合は、コードに触れないでください。不意に始動しないように電源プラグをコンセントから抜きます。

▶ 本体の電源コードを定期的に点検し、コードに損傷がある場合は認定を受けた修理スペシャリストに交換させてください。

- 使用目的に応じて、十分な導体断面積をもつ適切な延長コードのみを使用してください。そうしないと、本体の出力低下やコードの過熱が発生することがあります。
- 延長コードに損傷がないか定期的に点検してください。
- 損傷した延長コードは交換してください。
- 屋外工事の場合には、認可マーク付きの専用延長コードのみを使用してください。



本書の最終ページに、推奨最低導体断面積とコード長に関する QR コードがあります。

## 6 作業準備

#### 注意

負傷の危険！ 製品は意図せず作動することがあります。

▶ 本体の設定やアクセサリの交換を行う前に電源プラグを抜いてください。



本書および製品に記載されている安全上の注意と警告表示に注意してください。

## 7 作業準備

### 7.1 ダストバッグ (フリース) を装着する 2

1. 電源プラグをコンセントから抜きます。
2. 2 個のコンテナロックを開きます。
3. ダストコンテナからサククションヘッドを持ち上げて外します。
4. 必要に応じて、満杯のダストバッグを取り出します。
5. ダストバッグをアダプターにより両方の位置決めピンに差し込みます。
6. サククションヘッドをダストコンテナに取り付けます。
7. 2 個のコンテナロックを閉じます。
8. サククションヘッドが正しく取り付けられロックされていることを確認します。
9. サククションホースを接続してください。

### 7.2 ダストバッグ (プラスチック) を交換する 3

1. 電源プラグをコンセントから抜きます。
2. 2 個のコンテナロックを開きます。
3. ダストコンテナからサククションヘッドを持ち上げて外します。
4. 必要に応じて、満杯のプラスチックダストバッグを取り出します。
5. 新しいダストバッグ (プラスチック) をダストコンテナに挿入し、ダストバッグをダストコンテナの端部で折り返します。
  - ▶ ダストバッグの穴はダストコンテナの内側になければなりません。
  - ▶ コンテナ端部の黒い線を利用して、挿入したダストバッグを正しい位置に調整します。
6. サククションヘッドをダストコンテナに取り付けます。
7. 2 個のコンテナロックを閉じます。
8. サククションヘッドが正しく取り付けられロックされていることを確認します。
9. サククションホースを接続してください。

### 7.3 フィルターエレメントを交換する 4

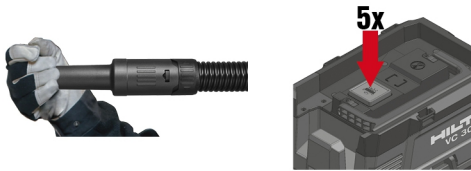
1. 2 個のコンテナロックを開きます。
2. ダストコンテナからサククションヘッドを持ち上げて外します。
3. フィルターシール (ねじ込みプラグ) を取り外します。
4. フィルターディスクを取り外します。
5. 使用済みのフィルターを慎重に取り外します。
  - ▶ 汚れがタービン開口部に落下しないように注意してください！
6. 新しいフィルターを吸じん装置に取り付けます。
7. フィルターディスクをフィルターと一直線にします。
8. フィルターシールを取り付けます。
9. フィルターエレメントが正しく取り付けられているか点検し、サククションヘッドをダストコンテナに取り付けます。

## 8 ご使用方法

### 8.1 フィルタークリーニング機能を使用する

集じん機は手動フィルタークリーニング機能を備えています。最大吸引能力を得るために、フィルタークリーニング機能を定期的に使用してください。





1. ホース末端を封止します。
2. 最大負圧になるまでお待ちください。
3. 操作ボタン を続けて 4...5 回操作します。

## 8.2 集じん機を操作する

### 注意

健康を損なう危険がある粉じんによる危険！ フィルターエレメントを使用しないと危険な吸引物が排出される危険があります。

▶ 集じん機は必ずフィルターエレメントを装着して使用してください。

1. 電源プラグを差し込む前に、機能切り替えスイッチが**OFF**位置になっていることを確認してください。
2. 集じん機の電源コードをコンセントに差し込みます。
3. 本体スイッチを**ON**位置に回します。

## 8.3 本体コンセントを使用する



本体コンセントは、電動工具を直接集じん機に接続するためにのみ使用してください。

本体コンセントに接続した電動工具の使用に際しては、電動工具の取扱説明書およびそこに記載されている安全上の注意を守ってください。

電動工具のスイッチをオフにした後も、サクシオンホース内に残っている粉じんを吸引するために集じん機はまだしばらくの間作動を続けます。

スイスおよびリヒテンシュタイン市場のみ: 本体コンセントは、乾燥した環境でのみ使用してください。

1. 集じん機の電源プラグをコンセントから抜きます。
2. 接続する電動工具の最大消費電力が本体コンセントの許容最大電力（「製品仕様」の章および本体コンセントのラベルに記載）を超えないことを確認してください。
3. 電動工具の電源プラグを差し込む前に、電動工具のスイッチがオフになっていることを確認してください。
4. 電動工具の電源プラグを本体コンセントに差し込みます。
5. 集じん機の電源コードをコンセントに差し込みます。
6. 本体スイッチを**AUTO**位置に回します。
7. 電動工具のスイッチをオンにします。

## 8.4 乾燥した粉じんを吸引する



乾燥した粉じん、特に鋳物粉じんを吸引する前には、常に適切なダストバッグがコンテナに取り付けられていることを確認します。吸引した物質は手を汚さずに簡単に廃棄することができます。

▶ フィルターエレメントは乾いていて、適切なダストバッグが装着されていることを確認してください。

## 8.5 液体を吸引する

### 8.5.1 準備および実行



できるだけ湿式用の専用フィルターエレメントを使用してください。

1. ダストコンテナからダストバッグを取り出します。
2. ダストレベルモニターのフロートを点検し、必要に応じてフロートを清掃します。



3. 作動中は、たとえばダストレベルモニターが作動した際には吸引能力の変化に注意してください。

### 8.5.2 ダストレベルモニターが作動する

ダストコンテナが最大レベルに達していると、ダストレベルモニターが作動します。引き続き使用する際は、ダストコンテナを空にしてください。



大量の吸引の際には、液体がフィルターにたまって、フロートの機能が影響を受けることがあります。液体を定期的にフィルターから完全に排出してください。

1. 本体スイッチを**OFF**位置に回します。
2. 電源プラグをコンセントから抜きます。
3. 2個のコンテナロックを開きます。
4. ダストコンテナからサクションヘッドを持ち上げて外し、平らな床面に置きます。
5. リセスグリップを掴んでダストコンテナを傾けて空にします。
6. ダストレベルモニターのフロートを点検し、必要に応じてフロートを清掃します。
7. サクションヘッドをダストコンテナに取り付け、2個のコンテナロックを閉じます。

## 8.6 吸引後

1. 本体スイッチを**OFF**位置に回します。
2. 電源プラグをコンセントから抜きます。
3. コンテナを空にし、集じん機を湿らせた布で清掃します。
4. 権限のない人による不正使用を防止して、集じん機を乾燥した場所にしまえます。
  - ▶ 注意この集じん機は必ず屋内で保管してください。

### 8.6.1 乾燥した粉じんの吸引後



Mクラス集じん機は必ずダストバッグを取り付けて作動させてください。これにより、粉じんの影響を低く抑えて吸引物を容器から出して、廃棄することができます。

1. 2個のコンテナロックを開きます。
2. ダストコンテナからサクションヘッドを持ち上げて外し、平らな床面に置きます。
3. リセスグリップを掴んでダストコンテナを傾けて空にします。
  - ▶ **M集じん機の場合:**ダストバッグをダストコンテナから取り出し、ダストバッグを有効な規則に従って廃棄してください。
4. ウォーターホースでダストコンテナを清掃します。
5. 集じん機とダストコンテナのシール面を湿らせた布で清掃します。
6. ダストコンテナを乾燥させます。
7. サクションヘッドをダストコンテナに取り付け、2個のコンテナロックを閉じます。

### 8.6.2 液体の吸引後

1. 2個のコンテナロックを開きます。
2. ダストコンテナからサクションヘッドを持ち上げて外し、平らな床面に置きます。
3. リセスグリップを掴んでダストコンテナを傾けて空にします。
4. ウォーターホースでダストコンテナを清掃します。
5. 集じん機とダストコンテナのシール面を湿らせた布で清掃します。
6. フィルターエレメントおよびコンテナを乾かすことができるように、サクションヘッドをコンテナから取り外します。

## 9 集じん機の手入れに関する注意事項



### 警告

電流による危険！ 電気部品の誤った修理は、感電による重傷事故の原因となることがあります。

- ▶ 電気部品の修理は、必ず専門の知識を有する電気技術者に依頼してください。
- ▶ 集じん機、特にグリップ表面を乾燥させ、清潔に保ち、オイルやグリスが付着しないようにしてください。洗剤、磨き粉等のシリコンを含んだ清掃用具は使用しないでください。



- ▶ 通気溝が覆われた状態で集じん機を使用しないでください！ 通気溝を乾いたブラシを使用して慎重に掃除してください。タービン開口部に異物が入らないようにしてください。
- ▶ 定期的に、少し湿した布で集じん機の表面を拭いてください。集じん機の電気系統の安全面に悪影響が出る可能性があるため、スプレーやスチームあるいは流水などによる清掃は避けてください。
- ▶ 特にダストコンテナ上縁とその溝の清掃に注意してください、この溝はダストコンテナとサクシオンヘッドとのシールにきわめて重要なものです。

## 10 搬送および保管

集じん機はダストコンテナが満杯の状態を持ち運ばないでください。

集じん機をクレーンで吊り上げないでください。

- ▶ 緩んでいる先端工具をホルダーから取り外してください。
- ▶ 他の場所に持ち運ぶ前に集じん機を空にしてください。
- ▶ 集じん機は傾けないでください、また液体を吸引した集じん機は必ず直立させた状態で搬送してください。
- ▶ 本体を持ち運ぶ際には、テーパアダプターを使用してホース両端を連結することができます。

VC 5M

### M 集じん機の場合



**警告**

**健康を損なう危険がある粉じんによる危険！** ホースソケットから危険な吸引物が排出される危険があります。

- ▶ 集じん機の搬送時および集じん機を使用していないときには、ホースソケットをホースソケットキャップで封止してください。

## 11 故障時のヒント

この表に記載されていない、あるいはご自身で解消することのできない故障が発生した場合には、弊社営業担当またはHilti サービスセンターにご連絡ください。

故障	考えられる原因	解決策
吸引しない / 吸引能力の低下。	フィルターエレメントが詰まっているか、あるいは古すぎる。	<ul style="list-style-type: none"> <li>▶ ダストコンテナにどの程度粉じんたまっているか点検してください。</li> <li>▶ 手動フィルタークリーニング機能を使用します。→ 頁 47</li> <li>▶ 必要に応じてフィルターを交換してください。</li> </ul>
	フィルターエレメントが挿入されていない。	▶ 適切なフィルターエレメントを装着します。
視覚警告信号 (吸引能力低下)	ダストバッグが満杯。	▶ ダストバッグを交換します。
	フィルターエレメントの汚れが激しい。	▶ 手動フィルタークリーニング機能を操作してください (最適なクリーニング能力を得るためにサクシオンホース開口部を封止してください)。
粉じんが本体から吹き出る。	電動工具のサクシオンホースまたはダストカバーが詰まっている。	▶ サクシオンホースとダストカバーを清掃してください。
	フィルターエレメントが正しく取り付けられていない。	▶ フィルターエレメント取り付け直してください。
	フィルターエレメントが損傷している。	▶ 新しいフィルターエレメントを取り付けてください。
フィルターエレメントが挿入されていない。		▶ 適切なフィルターエレメントを装着します。
	本体が不意にオンおよびオフになる、または静電気が発生して作業者に流れる。	▶ 静電気の除去が保証されていない。本体がアース付きコンセントに接続されていない。
		▶ 本体をアース付きコンセントに接続し、静電防止ホースを使用してください。



故障	考えられる原因	解決策
モーターが作動しない。	電源コンセントのヒューズが作動した。	▶ ヒューズをオンにします。 ▶ ヒューズが再度作動する場合は過電流の原因を解消してください。
	ダストコンテナが満杯。	▶ 本体をスイッチオフにしてダストコンテナを空にしてください。
	モーター温度ヒューズが作動した。	▶ 本体をスイッチオフにし、約5分間冷却させてください。 ▶ モーターが作動しない場合、弊社営業担当またはHilti 代理店・販売店に修理を依頼してください。
	モーター温度ヒューズがモーターを再びオフにした。	▶ 通気溝を乾いたブラシを使用して注意深く掃除してください。
オートマチックモードでモーターが作動しない。	接続した工具の故障または正しく差し込まれていない。	▶ 接続した工具が正しく作動するか点検するか、あるいは電源プラグを確実に差し込んでください。

## 12 廃棄

Hilti 製品の大部分の部品はリサイクル可能です。リサイクル前にそれぞれの部品は分別して回収されなければなりません。多くの国でHilti は、古い電動工具をリサイクルのために回収しています。詳細については弊社営業担当またはHilti 代理店・販売店にお尋ねください。



- ▶ 電動工具、電子機器およびバッテリーを一般ゴミとして廃棄してはなりません！

## 13 メーカー保証

- ▶ 保証条件に関するご質問は、最寄りのHilti 代理店・販売店までお問い合わせください。

## 14 その他の情報

ご使用方法、技術、環境保護およびリサイクルに関するその他の情報については、[qr.hilti.com/manual/?id=2297598&id=2298710](http://qr.hilti.com/manual/?id=2297598&id=2298710) のリンクをご確認ください。このリンクは、本書の巻末にも QR コードとして記載されています。

# 오리지널 사용 설명서

## 1 사용 설명서 관련 정보

### 1.1 본 사용 설명서에 관하여

- 처음 이 제품을 사용하기 전에 본 사용 설명서를 읽으십시오. 안전하게 작업하고 문제 없이 취급하기 위한 전제가 됩니다.
- 본 사용 설명서 및 제품에 나와 있는 안전상의 주의사항 및 경고 지침에 유의하십시오.
- 항상 제품에 있는 사용 설명서를 잘 보관하고 제품은 반드시 본 사용 설명서와 함께 다른 사람에게 전달하십시오.

### 1.2 기호 설명

#### 1.2.1 경고사항

본 제품을 다루면서 발생할 수 있는 위험에 대한 경고사항. 다음과 같은 시그널 워드가 사용됩니다.



**⚠ 위험****위험!**

▶ 이 기호는 직접적인 위험을 표시합니다. 만약 지키지 않으면 심각한 부상을 당하거나 사망할 수도 있습니다.

**⚠ 경고****경고!**






▶ 이 기호는 잠재적인 위험을 표시합니다. 만약 지키지 않으면 심각한 부상을 당하거나 사망할 수도 있습니다.

**⚠ 주의****주의!**

▶ 이 기호는 잠재적인 위험 상황을 표시합니다. 만약 지키지 않으면 부상 또는 물적 손실을 입을 수 있습니다.


**1.2.2 문서에 사용된 기호**

본 문서에 다음과 같은 기호가 사용됩니다.

	기기를 사용하기 전에 사용 설명서를 읽으십시오.
	주의
	적용 지침 및 기타 유용한 사용 정보
	재사용이 가능한 자재 취급방법
	전기 기기 및 배터리를 일반 가정의 쓰레기처럼 폐기해서는 안 됨

**1.2.3 그림에 사용된 기호**

그림에 다음과 같은 기호가 사용됩니다.

<b>2</b>	이 숫자는 본 지침 첫 부분에 있는 해당 그림을 나타냅니다.
3	매겨진 숫자는 작업 단계의 순서를 나타내며, 텍스트에 매겨진 작업 단계와 차이가 있을 수 있습니다.
<b>11</b>	항목 번호는 개요 그림에서 사용되며, 제품 개요 단락에 나와 있는 기호 설명 번호를 나타냅니다.
	이 표시는 제품을 다룰 때, 특별히 주의할 사항을 나타냅니다.

**1.3 제품 관련 기호****1.3.1 제품에 사용된 기호**

제품에 사용되는 기호는 다음과 같습니다.

	크레인으로 운반하지 마십시오
---	-----------------

**1.4 제품 특별 스티커**

**경고:** 본 청소기는 건강에 유해한 먼지가 포함되어 있습니다. 먼지 포집 백 폐기를 비롯하여 비우기 및 정비 작업은 적절한 교육을 이수받은 전문가만 진행할 수 있습니다. 완전하고 이상이 없는 필터 시스템이 적용된 청소기만 사용하십시오.







L 등급 청소기



M 등급 청소기

### 1.5 제품 정보

Hilti 제품은 전문가용으로 설계되어 있으며, 해당 교육을 이수한 공인된 작업자를 통해서만 조작, 유지보수 및 수리 작업을 진행할 수 있습니다. 해당 인력은 발생할 수 있는 위험에 대해 특별 교육을 받은 상태여야 합니다. 교육을 받지 않은 사람이 제품을 부적절하게 취급하거나 규정에 맞지 않게 사용할 경우에는 기기와 그 보조구 구에 의해 부상을 당할 위험이 있습니다.

형식 명칭 및 일련 번호는 형식 라벨에 제시되어 있습니다.

- ▶ 일련 번호를 다음의 표에 옮기십시오. 대리점 또는 서비스 센터에 문의할 경우 제품 제원이 필요합니다. 제품 제원

습식/건식 진공 청소기	<b>VC 5L</b> <b>VC 5M</b>
세대	01
일련 번호	

### 1.6 적합성 선언

본 제조사는 단독 책임 하에 여기에 기술된 제품이 통용되는 법 규정 및 규범과 일치함을 밝힙니다. 적합성 증명서 사본은 본 문서 끝 부분에서 확인할 수 있습니다.

기술 문서는 이곳에 기술되어 있습니다.

Hilti Entwicklungsgesellschaft mbH | Zulassung Geräte | Hiltistraße 6 | 86916 Kaufering, DE

## 2 안전

### 2.1 일반 안전수칙

본 사용 설명서 각 장에 수록된 안전 지침 외에도 다음과 같은 사항들을 항상 엄격하게 준수해야 합니다.

- ▶ 모든 지침사항들을 읽으십시오! 다음과 같은 지침들을 준수하지 않으면, 전기 충격, 화재 그리고/또는 심각한 부상을 입을 수 있습니다.
- ▶ 기기를 전동 공구와 함께 사용할 경우 사용하기 전에 전동 공구의 사용 설명서를 읽고 모든 지침 내용에 유의하십시오.
- ▶ 공구를 변조하거나 개조해서는 절대로 안됩니다.
- ▶ 작업에 적합한 기기를 사용하십시오. 기기를 지정되지 않은 목적으로 사용해서는 안 됩니다. 규정에 따라 서만 그리고 완벽한 상태에서만 사용하십시오.
- ▶ 작업하기 전에 제품 취급방법, 작업물에서 발생할 수 있는 위험 및 흡인 물질의 안전한 폐기방법에 대해 숙지해야 합니다.
- ▶ 주위 환경을 고려하십시오. 화재 혹은 폭발의 위험이 있는 곳에서는 기기를 사용하지 마십시오.
- ▶ 본 기기는 해당 기기를 잘 다룰 줄 알고 안전한 사용 방법에 대한 교육을 받아 그로부터 발생할 수 있는 위험에 대해 알고 있는 사람만 사용할 수 있습니다. 본 기기는 어린이가 다루기에 적합하지 않습니다. 어린이가 청소기를 가지고 노는 일이 없도록 감독해야 합니다.



- ▶ 사용하지 않는 기기는 안전하게 보관하십시오. 기기를 사용하지 않을 때에는, 어린이의 손이 닿지 않는 높은 곳이나 폐쇄된 건조한 장소에 따로 보관해야 합니다.

## 2.2 작업장

- ▶ 작업장의 조명을 충분히 밝게 하십시오.
- ▶ 작업공간을 충분히 환기시키십시오. 환기가 잘 되지 않는 작업장에서는 먼지 때문에 건강에 해를 입을 수 있습니다.
- ▶ 작업장을 깨끗하게 정돈하십시오. 부상을 초래할 수 있는 장애물을 작업영역에서 치우십시오. 정돈되지 않은 작업장은 사고의 원인이 될 수 있습니다.
- ▶ 인화성 액체, 가스 또는 먼지가 있어 폭발 위험이 있는 환경에서는 기기를 사용하지 마십시오. 전동 기기는 먼지나 증기를 점화시킬 수 있는 스파크를 일으킵니다.

## 2.3 전기에 관한 안전수칙

- ▶ 충전기의 전원 플러그가 소켓에 잘 끼워져야 합니다. 플러그를 절대 변형시켜서는 안됩니다. 접지된 기기와 함께 어댑터 플러그를 사용하지 마십시오. 변형되지 않은 플러그와 적합한 소켓을 사용하면 감전의 위험을 줄여 줍니다.
- ▶ 콘넥터를 확실하게 설치되어 있고 모든 국소적인 상태에 맞추어진 적합한, 접지된 소켓에 끼우십시오. 소켓이 확실하게 접지되어 있는지 의심이 갈 경우, 이를 자격이 있는 전기기술자가 점검하도록 하십시오.
- ▶ 파이프, 히터, 전기레인지, 냉장고와 같은 접지 표면에 신체 접촉을 피하십시오. 신체에 닿을 경우 감전될 위험이 높습니다.
- ▶ 전원 케이블이 더러운 물이 고인 웅덩이에 빠져 있지 않은지 확인하십시오.
- ▶ 기기의 연결 케이블을 정기적으로 점검하고, 손상이 있을 경우 Hilti 서비스 센터에서 교환하도록 하십시오. 연장 케이블을 정기적으로 점검하고, 손상되었을 경우 이를 교체하십시오.
- ▶ 작업 시 전원 케이블 및/또는 연장 케이블이 손상되었을 경우 접촉하면 안됩니다. 전원 플러그를 소켓에서 빼내십시오. 손상된 전원 케이블과 연장 케이블은 전기 쇼크로 인한 위험을 유발할 수 있습니다.
- ▶ 케이블만을 잡고 기기를 운반하거나 걸어 놓아서는 안되며, 소켓에서 전원 플러그를 빼낼 때 케이블만을 잡은 채로 빼내지 마십시오. 전원 케이블이 열, 오일, 날카로운 모서리 또는 기기의 가동부위에 접촉하지 않도록 주의하십시오. 손상되거나 영긴 전원 케이블은 감전을 유발할 수 있습니다.
- ▶ 실외에서 전동 기기를 이용하여 작업할 때, 실외용으로 승인된 연장 케이블만 사용하십시오. 실외용 연장 케이블을 사용하면 감전의 위험을 줄일 수 있습니다.
- ▶ 전원 차단 시 기기의 전원을 끄고 전원 플러그를 뽑으십시오.
- ▶ 기기 소켓은 사용 설명서에서 지정한 목적대로만 사용하십시오.
- ▶ 더럽거나 축축한 상태에서는 기기를 작동시키지 마십시오. 특히 전도성이 있는 소재에서 기기의 표면에 달라 붙어있는 먼지나 습기는 작업자의 기기조작을 어렵게 하며, 부적절한 조건 하에서는 전기 쇼크까지도 일으킬 수 있습니다. 따라서 전도성이 있는 소재로 자주 작업할 경우, 오염된 기기를 정기적으로 Hilti 서비스 센터에서 점검하도록 하십시오.
- ▶ 과부하로 인한 화재 위험! 기기 소켓에 연결된 전동공구를 통해 허용되는 최대 전류 8 A를 초과하는 일이 없도록 하십시오.

## 2.4 사용자 안전수칙

- ▶ 신중하게 작업하십시오. 작업에 정신을 집중하고 제품을 사용할 때 경솔하게 행동하지 마십시오. 피곤하거나 항정신성 약물, 술 또는 약물을 복용한 경우에는 진공 청소기를 사용하지 마십시오. 기기 사용 시 이에 유의하지 않을 경우 심각한 부상을 초래할 수 있습니다.
- ▶ 기기를 사용하고 유지보수하는 동안 사용자와 그 주변에 있는 사람들은 반드시 적합한 보안경, 안전모, 귀마개, 보호장갑 그리고 보호 마스크를 착용해야 합니다.
- ▶ 청소기가 굴러가거나 넘어지지 않는지 확인하십시오.
- ▶ 진공 청소기가 안전한 상태로 놓이도록 휠 브레이크를 작동하십시오. 휠 브레이크가 열려 있는 경우 진공 청소기가 제어되지 않은 상태로 움직일 수 있습니다.
- ▶ 국가별 고유 사고방지규정에 유의하십시오.
- ▶ 먼지 제거장치나 수거장치를 설치할 수 있는 기기의 경우, 이 장치들이 연결되어 있는지 그리고 제대로 작동되는지를 확인하십시오. 먼지 포집장치 사용은 먼지로 인한 위험을 줄여줄 수 있습니다.
- ▶ 기기 소켓에 연결된 전동공구의 전원이 켜지면 청소기도 자동으로 켜집니다. 청소기가 의도치 않게 작동되기 시작하면 부상의 위험이 있을 수 있습니다.

## 2.5 진공 청소기에 관한 안전상의 주의사항

- 조작 인력은 작업하기 전에 제품 취급방법, 작업물에서 발생할 수 있는 위험 및 흡인 물질의 안전한 폐기방법에 대해 숙지해야 합니다.



- 진공 청소기로 사람과 동물을 흡입해서는 안 됩니다.
- 진공 청소기를 자동 또는 반자동 시스템에 고정 설치하여 계속적으로 사용하지 마십시오.
- 진공 청소기의 하우징을 사다리 대응으로 사용하지 마십시오.
- 수중에서 진공 청소기를 사용하지 마십시오.

## 2.6 흡입물

- ▶ 건강에 위협적인 인화성 그리고/또는 폭발성 먼지는 흡입해서는 안됩니다(마그네슘 먼지 또는 알루미늄 먼지 등). 온도가 **60 °C (140 °F)** 이상인 소재는 흡입할 수 없습니다(예: 불꽃이 남아있는 담배, 뜨거운 재).
- ▶ 작업을 시작하기 전에 항상 작업 시 발생할 수 있는 건강에 유해한 분진의 위험 등급을 확인하십시오. 석면 및 납과 같은 건강에 유해한 소재는 제품의 규정에 따른 용도에 명시적으로 포함되어 있지 않으며, 해당 소재를 흡입해서는 안 됩니다. → 페이지 56 그림에도 불구하고 납 또는 석면이 함유된 소재를 흡입한 경우에는 제품의 제조회사 보증이 소멸됩니다.
- ▶ 샌딩, 연마, 절단 및 드릴링 작업 시 발생하는 먼지에는 위험한 화학물질이 함유되어 있을 수 있습니다. 예를 들어 납 또는 납 계열의 페인트, 벽돌, 콘크리트 및 기타 조적 벽돌 제품, 자연석 및 기타 석영 함유 제품, 참나무, 너도밤나무 및 화학 처리된 목재 등과 같은 특정 목재, 석면 또는 석면이 함유된 자재 등이 있을 수 있습니다. 작업하는 자재의 위험 등급을 따라 조각자 및 주변에 있는 사람들의 노출 정도를 결정하십시오. 안전한 수준에서 노출이 이루어질 수 있도록 예를 들어 먼지 포집장치 사용 또는 적합한 보호 마스크 착용 등 필요한 조치를 취하십시오. 노출을 줄일 수 있는 일반적인 조치:
  - ▶ 환기가 잘 되는 곳에서 작업하기,
  - ▶ 장시간 먼지 접촉 피하기,
  - ▶ 얼굴 및 신체의 먼지를 다른 곳으로 털어내기,
  - ▶ 보호복 착용 및 노출된 영역을 비누와 물로 세척하기.
- ▶ 인화성, 폭발성 또는 부식성의 액체는 이 기기를 사용하여 청소해서는 안 됩니다(냉각수 및 윤활제, 가솔린, 용제, 산(**pH < 5**), 알칼리액(**pH > 12.5**) 등).
- ▶ 거품 또는 액체가 흘러나오면 기기를 즉시 전원을 끄십시오.
- ▶ 최대 **60 °C (140 °F)**에 이르는 뜨거운 물질을 흡입할 때는 보호장갑을 착용하십시오.
- ▶ 광물성 드릴링 슬러지 청소 작업 시, 보호복을 착용하여 피부접촉을 피하십시오(**pH > 9**, 부식성).
- ▶ 염기성 또는 산성 액체를 만지지 않도록 하십시오. 실수로 만졌을 경우, 물로 씻으십시오. 전해액이 눈에 들어갔으면, 물로 씻어내고 의사와 상담하십시오.

### VC 5L

#### L 등급 청소기의 경우 추가 사항

- ▶ 본 기기는 먼지 등급 L에서 건식, 비인화성 먼지, 대팻방 및 노출 한계값 **1 mg/m³**을 초과하는 위험 분진을 흡입하는 데 적합합니다.

### VC 5M

#### M 등급 청소기의 경우 추가 사항

- ▶ 본 기기는 먼지 등급 M에서 건식, 비인화성 먼지, 대팻방 및 노출 한계값이 **0.1 mg/m³** 이상인 위험 분진을 흡입하는 데 적합합니다.

## 2.7 청소기의 올바른 사용방법과 취급방법

- ▶ 청소기를 무방비 상태로 방치해서는 안 됩니다.
- ▶ 청소기가 결빙되지 않도록 하십시오.
- ▶ 주입 레벨 감시 장치(플로트 스위치)에 오염물질 및 눈에 띄는 손상이 없는지 정기적으로 확인하고, 필요에 따라 플로트 스위치에서 입자가 큰 오염물을 제거하십시오.
- ▶ 청소기 헤드 설치 시, 전원 케이블이 눌리거나 손상되지 않도록 유의하십시오. 부상 위험 및 손상 위험이 있습니다.
- ▶ 청소기와 액세서리에 발생할 수 있는 손상 여부를 점검하십시오. 기기를 다시 사용하기 전에 경미한 손상 부분도 완벽하게 규정에 따라 기능을 발휘하는지 세심하게 점검해야 합니다. 기기의 움직이는 부품이 완벽하게 작동하는지, 끼이지 않았는지 또는 부품이 손상되지 않았는지를 점검하십시오. 모든 부품은 올바르게 설치되고 청소기의 정상적인 작동을 보장하기 위한 모든 조건을 충족해야 합니다.
- ▶ 청소기는 반드시 자격을 갖춘 전문가에 의해 그리고 순정 대체부품만 이용하여 수리해야 합니다. 이렇게 하여 청소기의 안전성을 계속해서 유지할 수 있습니다.
- ▶ 청소기를 사용하지 않을 경우(작업 일시중지), 액세서리 부품 또는 필터 교환 그리고 관리 및 유지보수를 진행하기 전에는 항상 전원 플러그를 소켓에서 빼놓으십시오. 이러한 예방 조치를 통해 돌발적으로 청소기가 작동하는 일을 방지할 수 있습니다.
- ▶ 다른 작업 위치로 이동할 경우 절대 전원 케이블을 이용하여 진공 청소기를 끌어 당기지 마십시오. 진공 청소기를 전원 케이블 위로 굴러치 마십시오.
- ▶ 청소기를 크레인으로 이동시키지 마십시오.

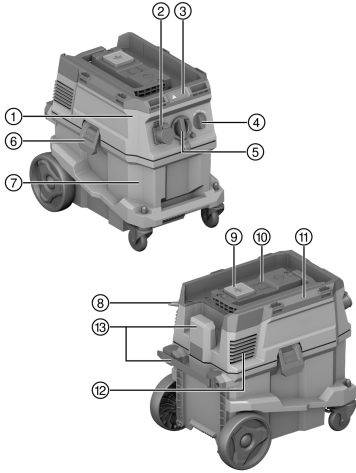


**M** 등급 청소기의 경우 추가 사항

- ▶ 기기를 운반하거나 사용하지 않을 때에는 쉐 커플링을 이용해서 흡기 부속품을 막아 놓으십시오.

**3**    **제품 설명**

**3.1**    **제품 개요**



- ① 청소기 헤드
- ② 기기 소켓(선택사양)
- ③ 디스플레이 및 조작 영역
- ④ 기기 스위치
- ⑤ 흡입부 고정부(흡입 호스)
- ⑥ 용기 잠금 장치
- ⑦ 오물 수거용기
- ⑧ 전원 케이블
- ⑨ "수동 필터 청소" 조작 버튼
- ⑩ 무선 모듈용 커버(옵션)
- ⑪ 운반용 손잡이
- ⑫ 배기구
- ⑬ 전원 케이블 운송 고리 (고정 가능)

**3.2**    **규정에 따른 용도**

기술된 제품은 건설현장, 호텔, 학교, 병원, 공장, 상점, 사무실 및 임대 사업장 등 상업적 용도로 사용할 수 있는 범용 진공청소기입니다. 본 제품은 건식 및 습식 영역에서 모두 작업할 수 있습니다.

본 제품으로 사람과 동물을 흡입해서는 안 됩니다. 지하수 사용은 금지되어 있습니다.

본 제품은 **Hilti SafeSet** 작업에는 허용되지 않습니다.

- ▶ 작업하기 전에 제품 취급방법, 작업물에서 발생할 수 있는 위험 및 흡인 물질의 안전한 폐기방법에 대해 숙지해야 합니다.
- ▶ 본 제품을 자동 또는 반자동 시스템에 고정 설치하여 계속적으로 사용하지 마십시오.
- ▶ 부상의 위험을 줄이기 위해 **Hilti** 순정품 액세서리와 공구만 사용하십시오.
- ▶ 정전기 효과를 방지하기 위해 정전기 방지 흡입 호스를 사용하십시오.
- ▶ 먼지 포집 백을 관통하여 부상을 입힐 수 있는 물건을 흡입하지 마십시오(예: 뽕죽하거나 모서리가 날카로운 흡입물).
- ▶ 본 제품을 사다리 대용으로 사용하지 마십시오.
- ▶ 국가별 고유 사고방지규정에 유의하십시오.

**적용 분야**

본 제품은 다음과 같은 상업적 용도로 사용하기에 적합합니다.

- 벽면 및 바닥면 습식 및 건식 청소
- **Hilti** 다이아몬드 그라인더, 절단 그라인더, 로터리 함마 드릴 및 건식 및 건식 코어비트 사용 시 발생하는 소량의 먼지 흡인.
- 오일 및 최대 온도 < 60 °C (140 °F)의 액상 매체 흡인.



**VC 5L**
**L 등급 청소기의 경우 추가 사항**

 건조, 비인화성 먼지, 액체, 대팻밥 및 노출 한계값이 1 mg/m<sup>3</sup>을 넘는 위험 분진(분진 등급 L) 흡인.

**VC 5M**
**M 등급 청소기의 경우 추가 사항**

 건조, 비인화성 먼지, 액체, 대팻밥 및 노출 한계값이 0.1 mg/m<sup>3</sup> 이상인 위험 분진(분진 등급 M) 흡인.

먼지 흡인 시 배기가 실내 공간으로 다시 들어온다면 실내 공간의 환기율 L이 충분해야 합니다. 국가별 규정에 유의하십시오.

**3.3 공급품목**

필터 엘리먼트를 포함한 건습식 청소기, 회전 슬리브(청소기축)를 포함한 흡입 호스 전체 및 공구 슬리브, 사용 설명서


 해당 제품에 허용되는 기타 시스템 제품은 **Hilti Store** 또는 **www.hilti.group**에서 확인할 수 있습니다.

**4 기술자료**
**4.1 제품 특성**

	<b>VC 5L</b>	<b>VC 5M</b>
무게	11kg	11kg
크기 (길이×폭×높이)	530mm × 380mm × 500mm	530mm × 380mm × 500mm
용기 용적	30ℓ	30ℓ
먼지 흡인량	23kg	23kg
액체 흡인 용적	20ℓ	20ℓ
공기온도	-10 °C ... 40 °C	-10 °C ... 40 °C
필터 청소	수동	수동
최대 추가 적재량	25kg	25kg
정격 주파수	50Hz ... 60Hz	50Hz ... 60Hz
보호 등급	I	I
보호기준	IP X4	IP X4

**4.2 정격 전압**

	<b>100 V</b>	<b>110 V</b>	<b>110 V (GB 32 A)</b>
정격 출력	1,000W	1,100W	1,100W
전동 공구용으로 내장된 기기 소켓 연결 라인	•/•	•/•	600W
전원(형식)	VCT 3×2 mm <sup>2</sup>	VCTF 3×2 mm <sup>2</sup>	H07 RN-F 3G 1.5 mm <sup>2</sup>

	<b>220 - 240 V</b>	<b>220 - 240 V (CH)</b>	<b>220 - 240 V (GB)</b>
정격 출력	1,200W	1,200W	1,200W
전동 공구용으로 내장된 기기 소켓 연결 라인	2,300W	1,100W	1,900W
전원(형식)	H07 RN-F 3G 1.5 mm <sup>2</sup>	H07 RN-F 3G 1.5 mm <sup>2</sup>	H07 RN-F 3G 1.5 mm <sup>2</sup>



	<b>220 - 240 V (NZ)</b>
정격 출력	1,200W
전동 공구용으로 내장된 기기 소켓 연결 라인	1,200W
전원(형식)	H07 RN-F 3G 1.5 mm <sup>2</sup>

#### 4.3 최대 체적 유량 및 최대 진공

	<b>100 V</b>	<b>110 V</b>	<b>220 - 240 V</b>
최대 체적 유량(터빈)	70ℓ/s	71ℓ/s	74ℓ/s
최대 체적 유량(호스 끝부분)	144m <sup>3</sup> /h (40ℓ/s)	144m <sup>3</sup> /h (40ℓ/s)	144m <sup>3</sup> /h (40ℓ/s)
최대 진공	19.5kPa (195mbar)	21.5kPa (215mbar)	22.5kPa (225mbar)

	<b>220 - 240 V (CH)</b>	<b>220 - 240 V (GB)</b>	<b>220 - 240 V (NZ)</b>
최대 체적 유량(터빈)	74ℓ/s	74ℓ/s	74ℓ/s
최대 체적 유량(호스 끝부분)	144m <sup>3</sup> /h (40ℓ/s)	144m <sup>3</sup> /h (40ℓ/s)	144m <sup>3</sup> /h (40ℓ/s)
최대 진공	22.5kPa (225mbar)	22.5kPa (225mbar)	22.5kPa (225mbar)

#### 4.4 소음과 진동에 대한 정보(EN 60335에 따라 측정)

방출 음압 수준 ( $L_{pA}$ )	76dB(A)
음압 수준 허용공차 ( $K_{pA}$ )	2dB(A)
진동 배출값	< 2.5m/s <sup>2</sup>

## 5 연장 케이블의 사용

### 연장 케이블의 사용

#### 경고

손상된 케이블로 인한 위험! 작업하는 동안 전원 케이블이나 연장 케이블이 손상되었을 경우에는 절대로 케이블을 만지지 마십시오. 전원 플러그를 소켓에서 빼내십시오.

- ▶ 기기의 연결 케이블을 정기적으로 점검하고, 손상이 있을 경우 자격을 갖춘 전문가가 교환하도록 하십시오.
- 케이블의 단면적이 충분히 크고 해당 용도로 허용된 연장 케이블만을 사용하십시오. 그렇지 않을 경우 기기의 출력이 손상되거나 케이블이 과열될 수 있습니다.
- 연장 케이블의 손상 여부를 정기적으로 점검하십시오.
- 손상된 연장 케이블을 교체하십시오.
- 실외에서 작업할 때에는 실외용으로 표시되고 승인된 연장 케이블만 사용하십시오.



권장하는 최소 단면적과 케이블 최대 길이는 본 문서 끝부분에서 QR 코드 형식으로 확인할 수 있습니다.

## 6 작업 준비

#### 주의

부상위험! 제품의 돌발적인 시동.

- ▶ 기기 설정 또는 액세서리를 교체하기 전에 전원 플러그를 당기십시오.

본 문서 및 제품에 나와 있는 안전 지침 및 경고 지침에 유의하십시오.

## 7 작업 준비

### 7.1 먼지 포집 백(플리스) 삽입

1. 전원 플러그를 소켓에서 빼내십시오.
2. 2개의 용기 잠금 장치를 푸십시오.



3. 청소기 헤드를 오물 수거용기로부터 들어올리십시오.
4. 필요에 따라 꼭 찬 먼지 포집 백을 떼어내십시오.
5. 먼지 포집 백을 어댑터와 함께 양쪽 위치결정 핀에 끼우십시오.
6. 청소기 헤드를 오물 수거용기에 위치시키십시오.
7. 2개의 용기 잠금 장치를 잠그십시오.
8. 청소기 헤드가 정확하게 설치되고 고정되어 있는지 확인하십시오.
9. 흡입 호스를 연결하십시오.

## 7.2 먼지 포집 백(플라스틱) 교체

1. 전원 플러그를 소켓에서 빼내십시오.
2. 2개의 용기 잠금 장치를 푸십시오.
3. 청소기 헤드를 오물 수거용기로부터 들어올리십시오.
4. 필요에 따라 꼭 찬 플라스틱 먼지 포집 백을 떼어내십시오.
5. 새 (플라스틱) 먼지 포집 백을 오물 수거용기에 끼우고 오물 수거용기의 가장자리 주변에 먼지 포집 백을 끼우십시오.
  - ▶ 먼지 포집 백의 구멍이 오물 수거용기의 안쪽에 위치해야 합니다.
  - ▶ 삽입한 먼지 포집 백을 용기 가장자리에 있는 흑색 라인을 따라 정렬하십시오.
6. 청소기 헤드를 오물 수거용기에 위치시키십시오.
7. 2개의 용기 잠금 장치를 잠그십시오.
8. 청소기 헤드가 정확하게 설치되고 고정되어 있는지 확인하십시오.
9. 흡입 호스를 연결하십시오.

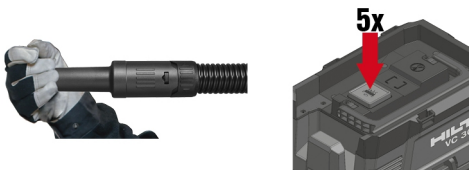
## 7.3 필터 엘리먼트 교체

1. 2개의 용기 잠금 장치를 푸십시오.
2. 청소기 헤드를 오물 수거용기로부터 들어올리십시오.
3. 필터 캡(스크류 캡)을 제거하십시오.
4. 필터 디스크를 제거하십시오.
5. 사용한 필터를 조심스럽게 제거하십시오.
  - ▶ 터빈 구멍에 오염물질이 떨어지지 않도록 유의하십시오!
6. 흡입장치에 새 필터를 설치하십시오.
7. 필터 디스크를 필터와 가장자리가 일치되게 설치하십시오.
8. 필터 캡을 장착하십시오.
9. 필터 엘리먼트가 제대로 장착되었는지 점검하고 청소기 헤드를 오물 수거용기에 설치하십시오.

# 8 조작

## 8.1 필터 청소 기능 사용

청소기에는 수동 필터 청소 기능이 있습니다. 흡입력을 극대화하려면, 주기적으로 필터 청소 기능을 사용하십시오.



1. 호스 끝부분을 막아주십시오.
2. 최대 진공이 형성되기까지 기다리십시오.
3. 4-5회 연속으로 조작 버튼 을 누르십시오.



## 8.2 청소기 조작

### 주의

유해한 분진으로 인한 부상 위험! 필터를 사용하지 않으면 위험한 물질이 방출될 수 있습니다.

▶ 적합한 필터 요소가 적용된 상태에서만 청소기를 사용하십시오.

1. 전원 플러그를 끼우기 전에 기능 선택 스위치가 **OFF** 위치에 있는지 확인하십시오.
2. 청소기의 전원 플러그를 소켓에 끼우십시오.
3. 기기 스위치를 **ON** 위치로 돌려십시오.

## 8.3 기기 소켓 사용



기기 소켓은 진공 청소기를 전동 공구와 직접 연결하도록 되어 있습니다.

전동 공구를 기기 소켓에 연결했을 때 사용 설명서와 설명서에 기재된 안전 지침에 유의하십시오.

전동 공구는 흡인 호스에 존재하는 먼지를 흡인하기 위해 전원이 꺼진 후에도 수 초 동안 작동합니다. 스위스 및 리히텐슈타인 시장의 경우만: 건조한 환경 조건에서만 기기 소켓을 사용하십시오.

1. 소켓에서 청소기의 전원 플러그를 빼내십시오.
2. 연결할 전 동공구의 최대 전력소비가 기기 소켓 전력의 최대 허용값 이하인지 점검하십시오("기술자료" 장 및 기기 소켓의 기재 내용 참조).
3. 전동 공구의 전원 플러그를 끼우기 전에 전동 공구의 전원이 꺼져 있는지 확인하십시오.
4. 전동 공구의 전원 플러그를 기기 소켓에 끼우십시오.
5. 청소기의 전원 플러그를 소켓에 끼우십시오.
6. 기기 스위치를 **AUTO** 위치로 돌려십시오.
7. 전동 공구를 켜십시오.

## 8.4 건조한 먼지 청소



건조한 물질을 흡인하기 전에 특히 광물성 먼지를 흡인하기 전에 항상 정확한 먼지 포집 백을 용기안에 삽입해야 한다는 점에 유의하십시오. 그러면 흡인해낸 물질을 간단하고 깨끗하게 폐기처리할 수 있습니다.

▶ 필터 엘리먼트가 건조한 상태인지 확인하고 먼지 포집 백이 제대로 삽입되었는지 확인하십시오.

## 8.5 액체 흡인

### 8.5.1 준비 및 작업 진행



액체 흡인용으로는 별도의 습식 필터 엘리먼트를 사용하십시오.

1. 먼지 포집 백을 오물 수거용기로부터 떼어내십시오.
2. 주입 레벨 감시 장치의 플로트 스위치를 점검한 후 필요에 따라 플로트 스위치를 청소하십시오.
3. 예를 들어 주입 레벨 감시 장치가 작동한 경우, 작동 중 흡입력에 변화가 있는지 확인하십시오.

### 8.5.2 주입 레벨 감시 장치가 작동됨

오물 수거용기가 최대 주입 레벨에 도달한 경우, 주입 레벨 감시 장치가 작동합니다. 계속 작동할 수 있도록 물 수거용기를 비우십시오.



대량 흡입한 경우, 필터에 액체가 쌓여 플로트 스위치의 기능 작동에 제한이 있을 수 있습니다. 정기적으로 필터에서 액체가 완전히 배출되도록 하십시오.

1. 기기 스위치를 **OFF** 위치로 돌려십시오.
2. 전원 플러그를 소켓에서 빼내십시오.
3. 2개의 용기 잠금 장치를 푸십시오.
4. 청소기 헤드를 오물 수거용기로부터 들어올려 평평한 바닥에 내려놓으십시오.
5. 손잡이를 잡고 오물 수거용기가 비워지도록 기울이십시오.
6. 주입 레벨 감시 장치의 플로트 스위치를 점검한 후 필요에 따라 플로트 스위치를 청소하십시오.





7. 청소기 헤드를 오물 수거용기 위에 위치시킨 다음, 2개의 용기 잠금 장치를 잠그십시오.

### 8.6 흡입 후

1. 기기 스위치를 **OFF** 위치로 돌려십시오.
2. 전원 플러그를 소켓에서 빼내십시오.
3. 용기를 비우고 물에 적신 천을 이용해 청소를 청소하십시오.
4. 청소기를 권한이 없는 사람들이 사용하지 못하도록 하고, 건조한 장소에 보관하십시오.
  - ▶ 주의 이 청소기는 밀폐된 공간에만 보관해야 합니다.

#### 8.6.1 건식 먼지 흡입 후



M 등급 이상의 청소기 작동 시 항상 먼지 백과 함께 사용하십시오. 이를 통해 흡입물을 먼지 오염이 적은 상태로 비우고 폐기할 수 있습니다.

1. 2개의 용기 잠금 장치를 푸십시오.
2. 청소기 헤드를 오물 수거용기로부터 들어올려 평평한 바닥에 내려놓으십시오.
3. 손잡이를 잡고 오물 수거용기가 비워지도록 기울이십시오.
  - ▶ M 등급 청소기의 경우: 먼지 포집 백을 오물 수거용기로부터 떼어낸 후 통용되는 규정에 따라 폐기하십시오.
4. 오물 수거용기를 물 호스로 청소하십시오.
5. 청소기 및 오물 수거용기의 가스켓 설치면을 물기가 있는 천으로 닦으십시오.
6. 오물 수거용기를 건조시키십시오.
7. 청소기 헤드를 오물 수거용기 위에 위치시킨 다음, 2개의 용기 잠금 장치를 잠그십시오.

#### 8.6.2 액체를 흡입한 후

1. 2개의 용기 잠금 장치를 푸십시오.
2. 청소기 헤드를 오물 수거용기로부터 들어올려 평평한 바닥에 내려놓으십시오.
3. 손잡이를 잡고 오물 수거용기가 비워지도록 기울이십시오.
4. 오물 수거용기를 물 호스로 청소하십시오.
5. 청소기 및 오물 수거용기의 가스켓 설치면을 물기가 있는 천으로 닦으십시오.
6. 필터 엘리먼트와 용기가 건조될 수 있도록 청소기 헤드를 용기로부터 분리해 놓으십시오.

## 9 청소기 관리 지침

### 경고

전류에 의한 위험! 전기 부품에서 부적절하게 수리하면 감전으로 인해 중상을 입을 수 있습니다.

▶ 전기 부품에서의 수리는 전기 기술자를 통해서만 진행하십시오.

- ▶ 본 청소기는 특히 손잡이 부분이 건조한 상태로 유지하고 오일과 그리스가 묻어있지 않도록 깨끗하게 관리하십시오. 실리콘이 함유된 표면보호제를 사용하지 마십시오.
- ▶ 환기 슬롯이 막힌 상태에서는 청소를 작동시키지 마십시오! 마른 솔로 환기 슬롯을 조심스럽게 청소하십시오. 이물질이 터빈 구멍 내부로 들어가지 않도록 하십시오.
- ▶ 약간 물기가 있는 수건으로 청소기의 바깥쪽을 정기적으로 청소해 주십시오. 세척할 때 스프레이 기구, 스팀 클리너 또는 흐르는 물을 사용하지 마십시오. 이로 인해 청소기의 전기 안전을 보장받지 못할 수도 있습니다.
- ▶ 특히 용기 상단 및 흡을 제대로 청소하십시오. 오물 수거용기와 청소기 헤드 사이의 실링 부분이 중요하기 때문입니다.

## 10 운반 및 보관

본 청소기는 용기에 오염물이 꽂힌 상태로 운반해서는 안 됩니다.

본 청소기를 크레인에 걸어두면 안 됩니다.

- ▶ 풀린 공구를 고정부에서 제거하십시오.
- ▶ 청소를 다른 장소에 운반하기 전에 청소기의 내용물을 비우십시오.
- ▶ 청소를 기울이지 말고, 액체를 흡입한 경우 청소를 똑바로 세운 상태로만 운반하십시오.
- ▶ 운반을 위해 어댑터를 사용하여 양쪽 호스 끝에 연결할 수 있습니다.



**M 등급 청소기의 경우**
**경고**

유해한 분진으로 인한 부상 위험! 호스 소켓을 통해 위험한 흡입 물질이 방출될 수 있습니다.

- ▶ 청소기를 운반하거나 사용하지 않을 때에는 실 커플링을 이용해서 흡기 부속품을 막아 놓으십시오.

**11 문제 발생 시 도움말**

본 도표에 제시되어 있지 않거나 스스로 해결할 수 없는 문제가 발생한 경우 **Hilti** 서비스 센터에 문의하십시오.

장애	예상되는 원인	해결책
흡입력이 없거나 감소됨.	필터 엘리먼트가 막힘 또는 너무 노후됨.	<ul style="list-style-type: none"> <li>▶ 오물 수거용기의 주입 상태를 점검하십시오.</li> <li>▶ 수동 필터 기능을 사용하십시오. → 페이지 59</li> <li>▶ 필요에 따라 필터를 교체하십시오.</li> </ul>
	필터 엘리먼트가 삽입됨.	▶ 적합한 필터 엘리먼트를 끼우십시오.
광학식 경고 신호(흡입력 약화)	먼지 포집 백이 가득 참.	▶ 먼지 포집 백을 교체하십시오.
	필터 엘리먼트가 심하게 오염됨.	▶ 수동 필터 청소 기능을 작동하십시오(청소 출력이 최적화될 수 있도록 흡입 호스 구멍을 막고 계십시오).
	전동 공구의 흡입 호스 또는 먼지 분리가 막힘.	▶ 흡입 호스 및 먼지 분리를 청소하십시오.
기지에서 먼지가 분출됨.	필터 엘리먼트가 제대로 설치되지 않음.	▶ 필터 엘리먼트를 다시 설치하십시오.
	필터 엘리먼트가 손상되었음.	▶ 새 필터 엘리먼트를 설치하십시오.
	필터 엘리먼트가 삽입됨.	▶ 적합한 필터 엘리먼트를 끼우십시오.
기기가 의도치 않게 전원이 꺼졌다 꺼짐 또는 사용자에게 의해 정적 방전이 일어남.	정전기 접지가 이루어지지 않음, 기기가 접지 처리된 소켓에 연결되지 않음.	▶ 기기를 접지 처리된 소켓에 연결하고, 정전기 방지 호스를 사용하십시오.
모터가 더 이상 작동하지 않음.	플러그 커넥터의 퓨즈가 작동됨.	<ul style="list-style-type: none"> <li>▶ 퓨즈의 전원을 켜십시오.</li> <li>▶ 다시 한 번 작동시켜 과전류 원인을 찾아보십시오.</li> </ul>
	오물 수거용기가 가득 참.	▶ 기기의 전원을 끄고 오물 수거기를 비우십시오.
	모터 서멀보호장치 활성화됨.	<ul style="list-style-type: none"> <li>▶ 기기의 전원을 끄고 5분 정도 냉각시키십시오.</li> <li>▶ 모터가 작동하지 않으면, 기기를 <b>Hilti</b> 고객 서비스 센터로 가져오십시오.</li> </ul>
	모터 서멀보호장치가 반복해서 모터를 차단함.	▶ 마른 솔로 환기 슬롯을 조심스럽게 청소하십시오.
모터가 자동 모드에서 작동하지 않음.	연결된 기기에 결함이 있거나 정확하게 설치되지 않음.	▶ 연결된 기기의 작동 여부를 점검하거나 전원 플러그를 고정하여 끼우십시오.

**12 폐기**

**Hilti** 기기는 대부분 재사용이 가능한 소재로 제작되었습니다. 재활용을 위해 개별 부품을 분리하여 주십시오. **Hilti**는 대부분의 국가에서 재활용을 위해 노후기기를 수거해 갑니다. **Hilti** 고객 서비스센터 또는 판매 상담자에게 문의하십시오.





▶ 전동 공구, 전자식 기기 및 배터리를 일반 가정 쓰레기로 폐기하지 마십시오!

### 13 제조회사 보증

▶ 보증 조건에 관한 질문사항은 현지 Hilti 파트너사에 문의하십시오.

### 14 기타 정보

작동법, 기술, 환경 및 재활용에 대한 세부 정보는 [qr.hilti.com/manual/?id=2297598&id=2298710](http://qr.hilti.com/manual/?id=2297598&id=2298710)에서 확인할 수 있습니다.

해당 링크는 본 문서 끝에 QR 코드 형식으로도 제시되어 있습니다.

## 原始操作說明

### 1 關於操作說明的資訊

#### 1.1 關於此文件

- 初次使用前，請詳讀本操作說明。這是安全作業和使用無虞的先決條件。
- 請遵守本操作說明中與產品上的安全說明和警告。
- 操作說明應與產品一起保管，產品交予他人時務必連同本操作說明一併轉交。

僅適用於台灣

進口商: 喜利得股份有限公司

地址: 新北市板橋區

新站路16號24樓22041

電話: 0800-221-036

#### 1.2 符號的說明

##### 1.2.1 警告

警告您在操作或使用本產品時可能發生之危險。採用了以下標示文字：



**危險**

危險！

▶ 此標語警示會發生對人造成嚴重傷害甚至致死的危險情形。



**警告**

警告！

▶ 此標語警示會造成嚴重傷害甚至致死危險的潛在威脅。



**注意**

注意！

▶ 請小心會造成人員受傷或對設備及其他財產造成損害的潛在危險情況。

##### 1.2.2 文件中的符號

我們的文件中採用以下符號：



使用前請閱讀操作手冊



注意



使用操作說明與其他資訊



處理可回收的材料





不可將電子設備與電池當作家庭廢棄物處置

### 1.2.3 圖解中的符號

我們的圖解中採用了以下符號：

<b>2</b>	號碼對應操作說明的開始處的圖解
3	編號代表圖解中的操作步驟順序，可能與內文中的步驟有所不同
<b>11</b>	概覽圖解中使用位置編號，方便您對應到產品概覽段落中的圖例編號
	本符號是為了讓您在操作本產品時可以注意某些重點。

## 1.3 產品專屬符號

### 1.3.1 產品上的符號

產品上會採用下列符號：



不可用起重機搬運本機具。

## 1.4 產品上的特殊貼紙

警告：本真空吸塵器包含有害健康的灰塵。僅能由熟悉本設備且穿戴適當護具的專業人員進行清空及保養，包含回收集塵袋等。只有在過濾系統完整和運作正常時，才可操作本真空吸塵器。

VC 5L



L級真空吸塵器

VC 5M



M級真空吸塵器

## 1.5 產品資訊

Hilti產品是針對專業使用者設計，故僅經訓練、認可的人員可操作、維修與維護本產品。務必將可能發生的特定危險告知該人員。若因未經訓練人員操作錯誤或未依照其原本的用途操作，則本產品和它的輔助工具設備有可能會發生危險。

類型名稱和序號都標註於額定銘牌上。

- 在下方表格中填入序號。與Hilti維修中心或當地Hilti機關聯絡查詢產品相關事宜時，我們需要您提供產品詳細資訊。

### 產品資訊

乾 / 濕兩用真空吸塵器	<b>VC 5L</b> <b>VC 5M</b>
產品代別	01
序號	



## 1.6 符合聲明

基於製造商唯一的責任，本公司在此聲明本產品符合適用法規及標準。本文件結尾處有符合聲明之副本。技術文件已歸檔：

Hilti Entwicklungsgesellschaft mbH | Tool Certification | Hiltistrasse 6 | D-86916 Kaufering, Germany

## 2 安全性

### 2.1 一般安全操作說明

除操作說明各章節所述之安全預防措施外，須隨時嚴格遵守下列規定。

- ▶ 閱讀所有操作說明。未遵守下列所有操作說明可能會導致電擊、火災事故及 / 或嚴重的傷亡。
- ▶ 如果設備與電子機具配合使用，請閱讀並遵循電子機具的操作說明和所有的警告。
- ▶ 不可改裝本設備。
- ▶ 針對工作使用正確的設備。請勿將機具用於非規定之用途，請僅依規定使用在運作無礙狀態的機具。
- ▶ 在開始使用設備之前，請先瞭解正確的操作程序和任何與將要吸除的物質相關的危險資訊，以及這些材料可如何處置。
- ▶ 請將周遭環境的影響列入考量。不可在有發生火災或爆炸危險的地方使用此設備。
- ▶ 僅限熟悉產品、已接受過安全使用訓練且瞭解相關危害的人員可使用本裝置。本裝置並非設計給兒童使用。請多加留意兒童，不得放任其戲玩本裝置。
- ▶ 設備於不使用狀態下，請貯放於安全的地方。設備於不使用狀態下，必須貯放在乾燥、高處、上鎖或兒童無法取得的地方。

### 2.2 工作場所

- ▶ 確保工作場所具有良好的照明。
- ▶ 確保工作場所良好的通風。暴露的通風不良而有粉塵的工作場所，會危害健康。
- ▶ 保持工作場所整齊。請移除工作區域中會使人員受傷的物件。雜亂的工作場所可能導致意外事故。
- ▶ 請勿在可能容易發生爆炸的場所操作本裝置（例如有可燃性液體、氣體或粉塵存在的地方）。電器產生的火花可能會引燃粉塵或煙霧。

### 2.3 電力安全

- ▶ 設備的電源線插頭必須與插座相符合。請勿以任何方式變更插頭。請勿將變壓器使用在接地的裝置上。未經改裝的插頭與規格相符的插座可降低發生電擊事故的危險。
- ▶ 僅可將插頭插入經正確、安全安裝，同時符合當地法規之合適連接地面（接地）插座中。若您對於插座的連接地面（接地）功效感到疑惑時，請將它交由合格的專員檢查。
- ▶ 免讓身體碰觸到如管線、散熱器、烹調器具、爐灶與冰箱等與土地或地表接觸之物品。身體如果接觸這些接地面會增加觸電的危險。
- ▶ 檢查確認電源線是否遠離水窪處。
- ▶ 定期檢查設備的電源線，並在發現損壞時請Hilti維修中心予以更換。定期檢查延長線，並在發現損壞時予以更換。
- ▶ 設備運作時，電源線或延長線若受損，請勿碰觸。將電源線插頭自插座拔離。受損的電源線或延長線可能有發生電擊的危險。
- ▶ 請勿濫用電纜來攜帶設備、將其掛起或從插座中拔出插頭。使電源線遠離高溫、油、鋒利的邊緣或移動中的機具部件。電纜線損壞或纏繞會增加發生電擊事故的危險。
- ▶ 於室外操作電器時，務必適用於戶外的延長線。使用適合在戶外使用的延長線可降低電擊事故發生的風險。
- ▶ 若電源中斷，請將設備關閉並將插頭從插座中拔出。
- ▶ 設備上的插座僅能用於操作說明中所規範的用途上。
- ▶ 勿在設備髒污或潮濕時進行操作。粉塵（特別是導電材料所產生的粉塵）或設備表面的濕氣可能會造成電擊事故。因此，髒髒或積著粉塵的設備應定期由Hilti維修中心檢查，尤其是當設備常使用於具傳導性材質時。
- ▶ 過載有導致失火之虞！將電動工具插入設備插座時，請勿超過最大容許電流8安培。

### 2.4 人員安全

- ▶ 使用本產品作業時，請提高警覺，注意進行中的工作並善用常識。若您感到疲倦或仍處於藥品、酒精或藥物的影響，請勿使用本真空吸塵器。裝置如有使用不慎，可能會導致嚴重傷害。
- ▶ 使用設備或進行設備維修時，使用者及周圍人員都必須戴上適當的護目鏡、安全帽、耳罩、防護手套、防護鞋及防護口罩。



- ▶ 請確認真空吸塵器不會滾動或掉落。
- ▶ 咬合轉輪煞車，使得真空吸塵器可穩固立起。如果轉輪煞車未咬合，真空吸塵器可能會運轉失控。
- ▶ 遵守國家的意外事故防範法規。
- ▶ 如果機具可連接吸塵裝置與集塵設備，請連接並適當使用這些設備。使用真空吸塵器可降低與粉塵有關的危險。
- ▶ 當插入設備插座的電動工具開啟時，吸塵器會自動開啟。吸塵器意外啟動可能會造成人身傷害。

## 2.5 真空吸塵器的安全說明

- 在開始使用設備之前，操作人員必須充分了解正確的操作程序和任何與將要吸除的物質相關的危險資訊，以及這些材料可如何處置。
- 本設備不可用於清潔人體或動物。
- 本設備不可以於自動或半自動系統中連續操作。
- 勿踩踏本設備（勿作為梯子）。
- 勿在水中使用設備。

## 2.6 吸除材料

- ▶ 請勿吸除會危害身體健康、易燃及 / 或爆炸性粉塵（例如鎂或鋁質粉塵等）。請勿使用本設備吸除溫度超過60°C (140°F) 的物質（例如尚有火星的菸頭、灰燼等）。
- ▶ 在工作開始前，請務必檢查工作過程中可能產生有害粉塵的危險等級。有害物質諸如石棉與鉛皆不在產品的預期用途中，且不得對其加工 → 頁次 67。若您仍對含鉛或含石棉的物料進行加工，您所購買產品之原廠保固將失效。
- ▶ 研磨、切割和鑽孔時產生的粉塵可能含有危險的化學物質。例如：鉛或以鉛為基底的顏料；磚塊、混凝土和其他建材產品、天然石材和其他含石英質的產品；橡木、山毛櫸等特定木材以及化學處理的木材；石棉或含有石棉的物質。根據操作員工作時接觸的物質危險等級來決定操作員和其他人員暴露在該環境的程度。採取必要的措施，以將暴露相關條件維持在安全等級上，例如：使用吸塵系統或配戴合適的防護面罩。降低在該環境下的暴露程度的一般措施包括：
  - ▶ 工作區域保持良好通風
  - ▶ 避免長時間接觸粉塵
  - ▶ 清除臉部和身體上的粉塵
  - ▶ 穿著防護衣，用水和肥皂清洗裸露在外的身體部位。
- ▶ 勿使用設備吸除易燃、具爆炸或腐蝕性的液體（冷卻液及潤滑劑、汽油、溶劑、酸質（pH<5）、鹼質（pH>12.5）等）。
- ▶ 如有泡沫或液體溢出，應立即關閉設備。
- ▶ 使用真空吸塵器吸除溫度高達60°C (140°F) 的溫熱材料時，請戴上防護手套。
- ▶ Tragen Sie 處理礦物鑽渣時請穿戴個人防護裝備，並且避免接觸到皮膚（pH > 9，具腐蝕性）。
- ▶ 避免接觸鹼液或酸液。若不慎接觸，請以清水沖洗。若接觸滲出液體，請以大量清水沖洗眼睛並就醫。

### VC 5L

#### 額外適用於L級真空吸塵器

- ▶ 粉塵等級L設備適合吸除乾性非易燃粉塵、液體、木屑以及暴露限值 > 1 mg/m<sup>3</sup>之危險粉塵。

### VC 5M

#### 額外適用於M級真空吸塵器

- ▶ 粉塵等級M設備適合吸除乾性非易燃粉塵、液體、木屑以及暴露限值 ≥ 0.1 mg/m<sup>3</sup>之危險粉塵。

## 2.7 真空吸塵器的使用與保養

- ▶ 本吸塵器必須隨時有人看管。
- ▶ 避免真空吸塵器結霜。
- ▶ 定期檢查容器水平高度監控系統（浮子）是否有髒污和可見的損壞，視需要清除浮子較粗大的髒污。
- ▶ 裝回真空吸塵器上蓋時，應小心不要夾到手指或損壞電源線。如此可預防受傷或損壞的危險。
- ▶ 檢查真空吸塵器及其配件是否有任何損壞。為確保運作無瑕疵且能如預期發揮效果，需小心檢查其防護套、安全裝置，以及零件上是否有任何細微的損傷。檢查移動性零件的功能是否無瑕疵，無任何零件損壞。為了確保真空吸塵器運作正常，所有零件必須正確安裝且符合需求。
- ▶ 請將真空吸塵器交由合格專業人員維修，並使用Hilti原廠備件。如此一來才能確保真空吸塵器的安全性。
- ▶ 真空吸塵器不使用（暫停使用時）或進行清潔維護以及更換過濾器或配件前，務必將電源線拔離插座。本安全預防措施可防止真空吸塵器意外啟動。
- ▶ 不可以拉扯電源線的方式，將真空吸塵器移至新的工作位置。真空吸塵器的轉輪不可壓過電源線。



- ▶ 請勿使用起重機搬運真空吸塵器。

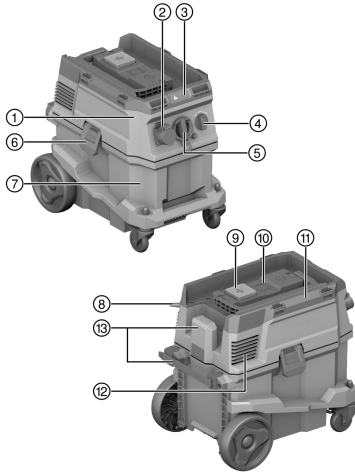
VC 5M

額外適用於M級真空吸塵器

- ▶ 搬運設備前和不使用時，請關上軟管入口插座的蓋子。

### 3 說明

#### 3.1 產品總覽



- ① 真空吸塵器上蓋
- ② 設備上的插座（選配）
- ③ 顯示和控制面板
- ④ 控制開關
- ⑤ 吸塵軟管插座（吸塵軟管）
- ⑥ 容器鎖扣
- ⑦ 廢棄材料容器
- ⑧ 電源線
- ⑨ 「手動濾芯清潔」操作按鈕
- ⑩ 無線電模組的盲蓋（可選）
- ⑪ 握把
- ⑫ 排氣口
- ⑬ 電源線搬運鈎（含固定方法）

#### 3.2 用途

此處所述產品為通用的商用型真空吸塵器，例如建築工地、旅館、學校、醫院、工廠、商店、辦公室和租賃業務。本產品可用於乾溼區域。

本產品不可用於清潔人體或動物。禁止在水中使用本設備。

該產品未經核准使用於**Hilti SafeSet**。

- ▶ 在開始使用產品之前，請先瞭解正確的操作程序和任何與您要處理之物質相關的危險資訊，以及這些材料可如何安全地處置。
- ▶ 本產品不可以於自動或半自動系統中連續操作。
- ▶ 為降低受傷的危險，僅可用**Hilti**原廠機具及配件。
- ▶ 使用防靜電吸塵軟管可防止靜電效應。
- ▶ 勿吸除可能刺穿集塵袋並導致人員受傷的物件或材料（例如尖銳或鋒利的物件）。
- ▶ 勿踩踏本產品（勿作為梯子）。
- ▶ 遵守國家的意外事故防範法規。

#### 應用領域

本產品適合以下商業應用：

- 牆壁或地板表面的濕式及 / 或乾式清潔。
- 收集由**Hilti**鑽石研磨機、鑽石切割機、電鏈鑽與使用乾式切割岩心鑽頭的岩心鑽孔機具所產生的少量粉塵。
- 吸除溫度 << 60 °C (140 °F) 的油或液體。



2298710

**額外適用於L級真空吸塵器**

 吸除乾性、不易燃之粉塵、液體、木屑及暴露限值  $> 1 \text{ mg/m}^3$  (粉塵等級L) 之危險粉塵。

**額外適用於M級真空吸塵器**

 吸除乾性、不易燃之粉塵、液體、木屑及暴露限值  $\geq 0.1 \text{ mg/m}^3$  (粉塵等級L) 之危險粉塵。

使用真空吸塵器時當排出的氣體可能會回到室內時，必須確保室內有足夠的換氣率。請遵守國家規定。

**3.3 項目供應數**

濕式 / 乾式真空吸塵器含濾芯、吸塵軟管附可轉式連接頭 (位於真空吸塵器端) 及配件用接頭、操作手冊。


 關於本產品，您可於當地[www.hilti.group](http://www.hilti.group)或網站查詢其他經過認證可搭配使用的系統產品：

**Hilti Store**
**4 技術資料**
**4.1 產品特性**

	VC 5L	VC 5M
重量	11 kg	11 kg
規格 (長 x 寬 x 高)	530 mm x 380 mm x 500 mm	530 mm x 380 mm x 500 mm
容器容量	30 ℓ	30 ℓ
有效粉塵容量	23 kg	23 kg
有效水溶液容量	20 ℓ	20 ℓ
空氣溫度	-10 °C ... 40 °C	-10 °C ... 40 °C
濾芯清潔功能	手動	手動
外加載重上限。	25 kg	25 kg
AC頻率	50 Hz ... 60 Hz	50 Hz ... 60 Hz
防護等級	I	I
防護等級	IP X4	IP X4

**4.2 額定電壓**

	100V	110V	110 V (GB 32 A)
額定功率	1,000 W	1,100 W	1,100 W
電動工具內建設備插座之連接功率	•/•	•/•	600 W
電源連接 (類型)	VCT 3x2 mm <sup>2</sup>	VCTF 3x2 mm <sup>2</sup>	H07 RN-F 3G 1.5 mm <sup>2</sup>

	220 - 240 V	220 - 240 V (CH)	220 - 240 V (GB)
額定功率	1,200 W	1,200 W	1,200 W
電動工具內建設備插座之連接功率	2,300 W	1,100 W	1,900 W
電源連接 (類型)	H07 RN-F 3G 1.5 mm <sup>2</sup>	H07 RN-F 3G 1.5 mm <sup>2</sup>	H07 RN-F 3G 1.5 mm <sup>2</sup>

	220 - 240 V (NZ)
額定功率	1,200 W
電動工具內建設備插座之連接功率	1,200 W
電源連接 (類型)	H07 RN-F 3G 1.5 mm <sup>2</sup>





### 4.3 最大容積流速及最大真空吸力

	100V	110V	220 - 240 V
最大容積流速 (渦輪)	70 ℓ/s	71 ℓ/s	74 ℓ/s
最大容積流速 (軟管末端)	144 m³/h (40 ℓ/s)	144 m³/h (40 ℓ/s)	144 m³/h (40 ℓ/s)
最大真空壓力	19.5 kPa (195 mbar)	21.5 kPa (215 mbar)	22.5 kPa (225 mbar)

	220 - 240 V (CH)	220 - 240 V (GB)	220 - 240 V (NZ)
最大容積流速 (渦輪)	74 ℓ/s	74 ℓ/s	74 ℓ/s
最大容積流速 (軟管末端)	144 m³/h (40 ℓ/s)	144 m³/h (40 ℓ/s)	144 m³/h (40 ℓ/s)
最大真空壓力	22.5 kPa (225 mbar)	22.5 kPa (225 mbar)	22.5 kPa (225 mbar)

### 4.4 噪音和震動資訊 (量測依據EN 60335)

釋放的音壓級數 (L <sub>pA</sub> )	76 dB(A)
無法判定的音壓級數 (K <sub>pA</sub> )	2 dB(A)
震動噪音值	< 2.5 m/s <sup>2</sup>

## 5 延長線的使用

### 延長線的使用



#### 警告

受損的電源線會造成危險！當機具運轉時，如果發現電源線或延長線受損，請勿碰觸。請將電源線插頭自插座拔除。

- ▶ 請定期檢查設備的電源線，並在發現損壞時，請合格的電力專員更換。
- 僅可使用經認可的延長線類型，且必須使用口徑（截面積）足夠的導線。否則機具的效率會下降且延長線會過熱。
- 定期檢查延長線是否損壞。
- 並更換受損的延長線。
- 戶外工作時，僅可使用經認可並標記適合戶外使用的延長線。



有關建議之最小導體截面積與纜線長度的資訊，可透過本文件最後QR碼形式的連結查看。

## 6 工作場所的準備工作



#### 注意

有受傷的危險！產品意外啟動。

- ▶ 在調整機具或變更配件前，請先拔除電源線。

請遵守本文件中與產品上的安全說明和警告。

## 7 工作場所的準備工作

### 7.1 裝入集塵袋 (刷毛布)

1. 請將電源線插頭自插座拔除。
2. 打開兩個容器鎖扣。
3. 將吸塵器上蓋向上從廢棄材料容器中取出。
4. 必要時請將卸下整個集塵袋。
5. 將帶有轉接頭的集塵袋放在兩個定位銷上。
6. 將真空吸塵器上蓋裝回廢棄材料容器上。
7. 鎖上兩個容器鎖扣。
8. 檢查確認是否已正確裝回真空吸塵器上蓋，以及是否牢固。
9. 連接吸塵軟管。



## 7.2 更換 (塑膠) 集塵袋 3

1. 請將電源線插頭自插座拔除。
2. 打開兩個容器鎖扣。
3. 將吸塵器上蓋向上從廢棄材料容器中取出。
4. 必要時請將卸下整個塑膠集塵袋。
5. 將新的 (塑膠) 集塵袋裝入廢棄材料容器內，並將集塵袋翻開並套到廢棄材料容器邊緣上。
  - ▶ 集塵袋的開孔必須位於廢棄材料容器內側。
  - ▶ 將已裝入之集塵袋對準至正確位置，黑線應位在容器邊緣上。
6. 將真空吸塵器上蓋裝回廢棄材料容器上。
7. 鎖上兩個容器鎖扣。
8. 檢查確認是否已正確裝回真空吸塵器上蓋，以及是否牢固。
9. 連接吸塵軟管。

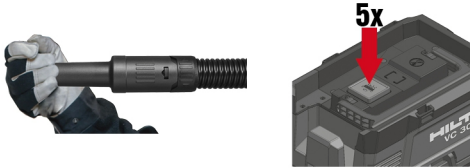
## 7.3 更換濾芯 4

1. 打開兩個容器鎖扣。
2. 將吸塵器上蓋向上從廢棄材料容器中取出。
3. 取下過濾鎖扣 (螺絲扣)。
4. 拆下濾盤。
5. 小心取出用過的過濾器。
  - ▶ 確保沒有灰塵掉入渦輪機開口！
6. 將新的過濾器放在吸塵接頭上。
7. 將濾盤平放在過濾器上。
8. 請安裝過濾器鎖扣。
9. 檢查濾芯是否正確安裝，並將吸塵頭放在廢棄材料容器上。

## 8 操作

### 8.1 使用濾芯清潔功能

真空吸塵器具有手動濾芯清潔功能。為獲得最大吸力，請定期使用濾芯清潔功能。



1. 封住軟管末端。
2. 等候達到最大真空壓力。
3. 連續按下操作按鈕 4到5次。

### 8.2 操作真空吸塵器

#### ⚠ 注意

有害健康粉塵有造成人員受傷之虞！如果不使用濾芯，則已吸取的有害材料可能會溢出。

▶ 僅可在裝入過濾器元件後，才可使用真空吸塵器。

1. 在將電源線插入電力插座前，檢查功能選擇開關是否在**OFF**位置上。
2. 將真空吸塵器電源線插入插座。
3. 將控制開關轉到**ON**位置。



### 8.3 使用電子機具插座

電子機具插座僅可用於將電子機具直接連接到真空吸塵器。  
 在使用連接在電子機具插座上的電子機具時，務必遵守該電子機具的操作說明及其中的安全須知。  
 關閉電子機具後，真空吸塵器將繼續運轉一小段時間，以確保粉塵全部移出吸塵軟管。  
**僅適用於瑞士和列支敦斯登市場：請僅在乾燥的環境條件下使用該電子機具插座。**

1. 自插座拔離真空吸塵器的電源插頭。
2. 檢查確認所連接之電子機具的最大功率是否在電子機具插座的最大容許功率範圍內，請參照章節「技術數據」以及電子機具插座上標示的資訊。
3. 插入電子機具的電源插頭前，請確保電子機具已關閉。
4. 將電子機具的電源插頭插入電子機具插座中。
5. 將真空吸塵器的電源插頭插入插座。
6. 將開關控制旋鈕轉到**AUTO**位置。
7. 開啟電子機具。

### 8.4 吸除乾燥粉塵

在吸除乾燥粉塵之前（尤其是來自礦材的粉塵），請務必檢查以確保容器內裝入正確的集塵袋。如此一來，您方能輕鬆處置由所真空吸塵器吸除的廢棄材料。

- ▶ 檢查濾芯是否乾燥，並安裝了正確類型的集塵袋。

### 8.5 吸除液體

#### 8.5.1 準備和執行

儘可能以不同的濾芯吸除液體。

1. 將廢棄材料容器中的集塵袋取出。
2. 檢查容器水平高度監控系統的浮子，並在必要時清潔浮子。
3. 注意在操作過程中吸力的變化，例如啟動容器水平高度監控系統時。

#### 8.5.2 鬆開容器水平高度監控系統

當廢棄材料容器達到最大填裝狀態時，將啟動容器水平高度監控系統。清空廢棄材料容器以繼續操作。

大量抽吸時，液體會積聚在過濾器中並限制浮子的功能。請定期讓液體從過濾器完全排出。

1. 將控制開關轉到**OFF**。
2. 請將電源線插頭自插座拔除。
3. 打開兩個容器鎖扣。
4. 將廢棄材料容器的真空吸塵器上蓋掀開取出，並將廢棄材料容器置於平坦表面。
5. 利用凹槽握住廢棄材料容器，並倒出內容物將其清空。
6. 檢查容器水平高度監控系統的浮子，並在必要時清潔浮子。
7. 將吸塵頭放在廢棄材料容器上並關上兩個容器鎖扣。

### 8.6 使用真空吸塵器後

1. 將控制開關轉到**OFF**位置。
2. 請將電源線插頭自插座拔除。
3. 清空容器，並用濕布清潔真空吸塵器。
4. 將真空吸塵器貯放在安全、乾燥且未經授權使用者無法取得的地方。
  - ▶ 注意 本真空吸塵器僅可收納於室內。



### 8.6.1 使用真空吸塵器灰塵後



使用機型為M級起的真空吸塵器，務必使用集塵袋。藉此讓吸除材料排空並且幾乎沒有灰塵。

1. 打開兩個容器鎖扣。
2. 將廢棄材料容器的真空吸塵器上蓋掀開取出，並將廢棄材料容器置於平坦表面。
3. 利用凹槽握住廢棄材料容器，並倒出內容物將其清空。
  - ▶ 用於M級真空吸塵器：從廢棄材料容器中取出集塵袋，並按照適用的規定處理集塵袋。
4. 用水管清潔廢棄材料容器。
5. 用濕布清潔真空吸塵器和廢棄材料容器的密封表面。
6. 讓廢棄材料容器充分乾燥。
7. 將吸塵頭放在廢棄材料容器上並關上兩個容器鎖扣。

### 8.6.2 使用真空吸塵器吸除液體後

1. 打開兩個容器鎖扣。
2. 將廢棄材料容器的真空吸塵器上蓋掀開取出，並將廢棄材料容器置於平坦表面。
3. 利用凹槽握住廢棄材料容器，並倒出內容物將其清空。
4. 用水管清潔廢棄材料容器。
5. 用濕布清潔真空吸塵器和廢棄材料容器的密封表面。
6. 將吸塵頭與容器分開放置，以使濾芯和容器乾燥。

## 9 真空吸塵器的保養說明



### 警告

**電力危險！** 損壞的電子零件會造成嚴重的人員電擊傷害。

▶ 電子零件應僅由專業電氣人員維修。

- ▶ 保持真空吸塵器尤其是握住表面的清潔，避免油脂及潤滑油。勿使用含矽膠的清潔劑或亮光劑。
- ▶ 通風口阻塞時請勿使用真空吸塵器。請使用乾燥的刷子小心清潔通風口。請勿讓異物進入渦輪機開口。
- ▶ 定期使用微濕抹布清潔真空吸塵器外部。請勿使用噴霧系統或加壓蒸汽 / 噴水或流水系統來清潔，這樣可能會對真空吸塵器的電力安全性造成不良影響。
- ▶ 清潔時請特別留意容器的頂部邊緣及凹槽，這攸關廢棄材料容器與吸塵器上蓋之間是否密封。

## 10 搬運和貯放

本真空吸塵器的廢棄材料容器已滿時，切勿搬動。

本真空吸塵器不得掛在起重機上。

- ▶ 從固定裝置取下所有鬆脫的配件工具。
- ▶ 在將本真空吸塵器搬移至另一個地點前，請先將其清空。
- ▶ 不可傾倒本真空吸塵器，如已吸集液體，則僅可在直立狀態下搬運本真空吸塵器。
- ▶ 請使用錐形套將軟管的兩端連接起來以便搬運。

VC 5M

### 適用於M級真空吸塵器



### 警告

**有害健康粉塵有造成人員受傷之虞！** 吸除的有害物質可能會從吸塵軟管插座溢出。

▶ 搬運和未使用真空吸塵器時，請關上軟管入口插座的蓋子。

## 11 故障排除

若您遇到未列出的問題或是無法自行排除的問題，請聯絡Hilti維修中心。



故障	可能原因	解決方法
無吸塵功率或吸塵功率降低。	濾芯堵塞或過於老舊。	<ul style="list-style-type: none"> <li>▶ 請檢查廢棄材料容器的裝填狀態。</li> <li>▶ 使用手動濾芯清潔功能。 → 頁次 70</li> <li>▶ 請視需要更換過濾器。</li> </ul>
	未裝入濾芯。	▶ 插入適用的濾芯。
視覺警示訊號（吸塵性能減弱）	集塵袋已滿。	▶ 更換集塵袋。
	髒污物或粉塵堵塞過濾器。	▶ 按下手動濾芯清潔功能（關閉吸塵軟管開口以獲得最佳清潔效果）。
	機具上的吸塵軟管或集塵罩阻塞。	▶ 清潔吸塵軟管與集塵罩。
設備中的粉塵飛出。	濾芯未正確安裝。	▶ 再次正確安裝濾芯。
	濾芯已損壞。	▶ 安裝新的濾芯。
	未裝入濾芯。	▶ 插入適用的濾芯。
不經意開啟，或使用者遭電擊（靜電放電）時，設備會自行關閉。	靜電電荷未被導離 – 設備所連接的電源插座未接地。	▶ 將設備連接至接地電源插座並使用防靜電吸塵軟管。
馬達不會重新啟動。	市電斷路器跳開。	<ul style="list-style-type: none"> <li>▶ 重新設定斷路器。</li> <li>▶ 如果斷路器又再度跳開，找出電流過載的原因。</li> </ul>
	廢棄材料容器已滿。	▶ 關閉設備並清空廢棄材料容器。
	馬達過熱保護斷電系統已啟動。	<ul style="list-style-type: none"> <li>▶ 關閉設備，冷卻5分鐘。</li> <li>▶ 若馬達未啟動，請將本設備送回Hilti維修中心。</li> </ul>
	馬達因高溫斷電系統而反復關閉。	▶ 請使用乾燥的刷子小心清潔通風口。
馬達設定在「AUTO」時不運轉。	設備故障或未正確插入主電源。	▶ 確認電源線插頭完全已插入電源，並確認機具可正常運作。

## 12 廢棄設備處置

Hilti機具或設備所採用的材料大部分均可回收再利用。材料在回收前必須正確地分類。在許多國家中，您可以將舊機具及設備送回Hilti進行回收。詳情請洽Hilti維修中心，或當地Hilti代理商。



- ▶ 不可將電動工具、電動裝置和電池當成一般垃圾丟棄！

## 13 製造商保固

- ▶ 如果您對於保固條件有任何問題，請聯絡當地Hilti代理商。

Hilti Taiwan Co., Ltd.

24F., No. 16, Xinzhan Rd., Banqiao Dist., New Taipei City 220, Taiwan (R.O.C.)

Tel. 0800-221-036

## 14 其他資訊

有關於操作、技術、環境和回收的更多資訊，請參訪以下連結：

[qr.hilti.com/manual/?id=2297598&id=2298710](http://qr.hilti.com/manual/?id=2297598&id=2298710)

您也可在文件最後找到本連結的QR碼。



2298710

# 原版操作说明

## 1 关于本操作说明的信息

### 1.1 关于本操作说明

- 首次使用或操作产品前，先阅读本操作说明。这是安全、无故障操作和使用产品的先决条件。
- 请注意本操作说明中以及产品上的安全说明和警告。
- 请务必将本操作说明与本产品保存在一起，确保将操作说明随产品一起交给他人。

### 1.2 符号说明

#### 1.2.1 警告

警告是为了提醒您在处理或使用此产品时会发生的危险。使用以下信号词：



**危险！**

- 用于让人们能够注意到会导致严重身体伤害或致命的迫近危险。



**警告！**

- 用于提醒人们注意可能导致严重或致命伤害的潜在危险。



**小心！**

- 用于提醒人们注意可能造成人身伤害、设备损坏或其他财产损失的潜在危险情况。

#### 1.2.2 文档中的符号

我们的文档中使用以下符号：

	请在使用之前阅读操作说明
	小心
	使用说明和其他有用信息
	处理可回收材料
	不得将电气设备和电池作为生活垃圾处置

#### 1.2.3 图示中的符号

我们的图示中使用以下符号：

	这些编号指本操作说明开始处的相应图示
	图示中的编号反映操作顺序，可能与文本中描述的步骤不同
	位置编号被用于概览图中并表示产品概览段落中的图例编号
	这些符号旨在提醒您在操作本产品时要特别注意的某些要点。

## 1.3 与产品相关的符号

### 1.3.1 产品上的符号

产品上使用下列符号：



不允许使用起重机进行运输



### 1.4 本产品上的特殊标签

**警告：**本吸尘器含有危害健康的粉尘。排空、保养以及废弃处理集尘袋的操作只能由专业人员在佩戴适当个人防护装备的情况下执行。请只在过滤系统完整且功能完好的情况下使用本吸尘器。

VC 5L



L 吸尘器

VC 5M



M 吸尘器

### 1.5 产品信息

**Hilti** 产品经设计适用于专业用户，只有经过专门训练的授权人员才允许操作、维修和维护本产品。该人员必须了解可能遇到的任何特殊危险。不按照既定用途使用或由未经培训的人员不正确地使用本产品及其辅助设备可能会带来危险。

型号名称和序列号印在铭牌上。

- ▶ 在下表中填写序列号。在联系喜利得维修中心或当地喜利得机构询问产品时，将要求您提供产品的详细信息。

#### 产品信息

湿式/干式吸尘器	<b>VC 5L</b> <b>VC 5M</b>
代次	01
序列号	

### 1.6 符合性声明

制造商全权负责声明，此处所述及的产品符合现行法规和标准。一致性声明副本位于本文档结尾处。技术文档在此处归档：

**Hilti** Entwicklungsgesellschaft mbH | Tool Certification | Hiltistrasse 6 | D-86916 Kaufering, Germany

## 2 安全

### 2.1 一般安全说明

除本操作说明各章节所列出的安全说明之外，还必须始终严格遵守以下几点。

- ▶ **请阅读所有操作说明！**不遵守下列所有操作说明可能会导致电击、火灾和/或严重人身伤害。
- ▶ 如果将设备与电动工具配合使用，请阅读并遵守电动工具操作说明以及所有警告事项。
- ▶ 不允许改装设备。
- ▶ 使用正确的设备进行工作。请勿将本设备用于规定以外目的，仅在状态完好的情况下合规使用。
- ▶ 开始使用设备作业前，应了解如何正确操作设备、设备吸取的材料所涉及的任何危害以及如何处置这些材料。
- ▶ 应考虑周围环境的影响。不要将设备用于存在火灾或爆炸危险的场合。
- ▶ 只允许熟悉本设备的人员、接受过如何安全使用本设备的相关培训的人员以及了解由此带来的危险的人员使用本设备。本设备不能由儿童使用。必须监管儿童，确保不得使用本设备玩耍。



2298710

中文

75

- ▶ 当不使用时，请将设备存放在安全的地方。当不使用时，必须将设备存放在干燥、高的位置或锁止，以防儿童接触。

## 2.2 工作场所

- ▶ 确保工作场所保持良好照明。
- ▶ 确保工作场所良好通风。在通风不良的工作场所下灰尘极易损害人体健康。
- ▶ 保持工作场所整洁。所有可能导致伤害的物体都应从工作区域中清除出去。工作场所不整洁可能会导致事故。
- ▶ 不要在易爆环境中，例如存在易燃液体、气体或粉尘的环境中使用该设备。电气设备产生的火花可能会引燃这些粉尘或烟雾。

## 2.3 电气安全

- ▶ 设备供电电缆上的插头必须与插座匹配。不得以任何方式更换插头。对于接地的设备，不要使用适配器插头。未经改装的插头和相配的插座将减少电击危险。
- ▶ 将插头插入合适的已接地电源插座中，该电源插座应正确且安全地安装，并且符合当地规定。如果对电源插座接地连接的有效性存有怀疑，请由合格的专家对其进行检查。
- ▶ 避免人体接触接地表面，如管道、散热片、炊具、炉灶和冰箱。如果您的身体接地，会增加电击危险。
- ▶ 检查以确保供电电缆未位于水坑中。
- ▶ 定期检查设备的供电电缆，如果发现损坏，由 Hilti 维修部门进行更换。定期检查加长电缆，如果发现损坏，则更换它们。
- ▶ 工作时，不要接触已损坏的供电电缆或加长电缆。将供电电缆插头从电源插座上断开。损坏的供电电缆或加长电缆会导致电击危险。
- ▶ 请勿利用电缆搬运、悬挂该设备，或者拽住电缆将插头从插座中拔出。使电缆充分远离热源、油、锐利边缘和运动部件。电缆损坏或缠绕会增加电击危险。
- ▶ 当在户外操作电气设备时，只能使用经认可适合户外操作的加长电缆。使用适合户外使用的加长电缆可降低电击风险。
- ▶ 一旦电源中断，则关闭设备并将供电电缆从电源插座中拔出。
- ▶ 仅将设备的电源插座用于本操作说明中规定的用途。
- ▶ 切勿在设备脏污或潮湿时对其进行操作。在不利条件下，吸附到设备表面的灰尘（特别是导电材料产生的灰尘）或湿气会导致电击危险。因此，必须由 Hilti 服务部门定期检查设备是否有脏污或灰尘，尤其是频繁用于导电材料时。
- ▶ 过载有火灾危险！在设备插座上插着电动工具时，请勿超过 8 安培的最大允许电流。

## 2.4 人身安全

- ▶ 保持警觉，注意您正在进行的工作，并在使用产品时利用您自己的判断力。如果感到疲劳或受毒品、酒精或药物的影响，请勿使用吸尘器。使用设备时，粗心大意可能会导致严重的人身伤害。
- ▶ 当使用设备或执行维护作业时，用户和附近的任何其它人员都必须穿戴适当的护目装置、安全帽、护耳装置、防护手套、安全靴和呼吸防护装置。
- ▶ 请确保吸尘器不会滚动或掉落。
- ▶ 拉紧滚轮制动器，使吸尘器牢固站立。如果未拉紧滚轮制动器，则吸尘器可能失控滑离。
- ▶ 请遵守您所在国家的事故预防法规。
- ▶ 如果提供用于连接除尘和集尘设施的装置，应确保将它们连接好并正确使用。使用吸尘器可减少尘屑引起的危险。
- ▶ 当设备插座上插着的电动工具接通时，吸尘器会自动接通。吸尘器的意外启动可能会造成人身伤害。

## 2.5 吸尘器安全说明

- 开始使用设备作业前，操作人员必须了解如何正确操作设备、设备吸取的材料所涉及的任何危害以及如何安全处置这些材料。
- 严禁使用本设备对人或动物进行清洗。
- 不要使用设备在自动或半自动系统中进行连续的静止操作。
- 不要站立在本设备上（不要用本设备替代梯子）。
- 不要在水下使用本设备。

## 2.6 所抽吸的材料

- ▶ 不得抽吸有害健康的、易燃和/或易爆粉尘（镁粉或铝粉等）。不要抽吸温度高于 60 °C (140 °F) 的材料（例如灼热的烟蒂、热灰）。





- ▶ 在开始工作之前，务必检查工作过程中可能产生的危害健康的粉尘的危险等级。危害健康的物质，例如石棉和铅明确不包含在产品的合规使用中，并且不允许加工 → 页码 78。如果您仍要加工含铅或石棉的材料，则制造商对您产品的保修将失效。
- ▶ 磨削、抛光、切割和钻孔过程中产生的粉尘可能包含有害化学物质。一些例子包括：铅或铅基涂料；砖、混凝土、其他砖石产品、天然石材和其他含石英的产品；一些木材，例如橡木、山毛榉和化学处理过的木材；石棉或含石棉的材料。根据所处理材料的危险等级，确定操作员和附近人员的暴露程度。采取必要的措施将暴露保持在安全水平内，例如使用集尘系统或佩戴适当的呼吸防护装置。减少暴露的一般措施包括：
  - ▶ 在通风良好的区域进行操作，
  - ▶ 避免长时间接触粉尘，
  - ▶ 清除脸部和身上的粉尘，
  - ▶ 穿着防护服并用肥皂和水清洗暴露的部位。
- ▶ 不要使用设备抽取易燃、爆炸性或腐蚀性液体（冷却液和润滑油、汽油、溶剂、酸液（pH < 5）、碱液（pH > 12.5）等）。
- ▶ 如果有泡沫或液体从设备中溢出，则立即关闭设备。
- ▶ 抽取温度最高 60 °C (140 °F) 的热材料时，戴上防护手套。
- ▶ 在抽取钻孔泥浆（矿物材料）时请穿戴个人防护装备，避免皮肤接触到泥浆（pH > 9，腐蚀性）。
- ▶ 避免与碱性或酸性液体相接触。如果意外接触到液体，应用水冲洗。若液体接触到眼睛，应立即用大量清水冲洗，并立即就医。

VC 5L

此外还适用于 L 吸尘器

- ▶ L 级粉尘设备适用于吸取干燥的不易燃粉尘、液体、木屑以及暴露限值 > 1 mg/m<sup>3</sup> 的危险粉尘。

VC 5M

此外还适用于 M 吸尘器

- ▶ M 级粉尘设备适用于吸取干燥且不易燃的粉尘、液体、木屑以及暴露限值 ≥ 0.1 mg/m<sup>3</sup> 的危险粉尘。

## 2.7 吸尘器的使用和维护

- ▶ 切勿在无人看守的情况下离开吸尘器。
- ▶ 保护好吸尘器，以防霜冻。
- ▶ 定期检查液位监控器（浮子）是否有污垢和可见的损坏，必要时清除浮子上的大颗粒污垢。
- ▶ 安装吸尘器头部时，小心避免夹到手指或损坏供电电缆。否则会造成人身伤害或损坏危险。
- ▶ 检查吸尘器和附件是否有任何损坏。必须仔细检查防护装置、安全装置以及任何已经微损坏的部件，以确保所有部件都可无故障地按照预定目的工作。检查并确认运动部件无故障、无卡滞地工作，且没有部件损坏。为了确保吸尘器无故障地工作，所有部件都必须正确安装且必须满足必要的要求。
- ▶ 只能由合格的维修人员使用 Hilti 原装备件对吸尘器进行维修。因此，必须维护吸尘器的安全性。
- ▶ 在清洁和维护作业以及更换过滤器或配件之前（休息期间），务必将插头从电源插座上拔下。该预防性安全措施可减少吸尘器意外启动的危险。
- ▶ 切勿通过供电电缆将吸尘器拉到新的工作位置。不要使吸尘器的滚轮碾过供电电缆。
- ▶ 不要用吊车运输吸尘器。

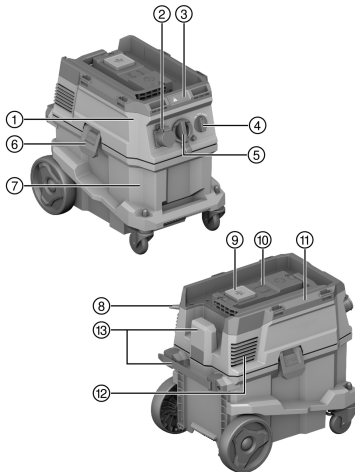
VC 5M

此外还适用于 M 吸尘器

- ▶ 在运输设备之前以及设备不使用期间，用盖封闭软管进口插口。



#### 3.1 产品概览



- ① 吸尘器头部
- ② 设备上的电源插座 (可选)
- ③ 显示和控制面板
- ④ 设备开关
- ⑤ 进口插口 (吸尘软管)
- ⑥ 容器锁扣
- ⑦ 污物容器
- ⑧ 供电电缆
- ⑨ “过滤器手动清洁”按钮
- ⑩ 无线模块 (选装) 的盲盖
- ⑪ 把手
- ⑫ 排气口
- ⑬ 供电电缆运输钩 (带有固定选项)

#### 3.2 合规使用

所述产品是一款用于商业用途 (例如建筑工地、酒店、学校、医院、工厂、商店、办公室和租赁企业) 的通用吸尘器。该产品适用于干湿区域。

严禁使用本产品对人或动物进行清理。严禁在水下使用。

该产品不允许用于 **Hilti SafeSet**。

- ▶ 开始使用本产品之前，请先了解如何正确操作本产品、与您将使用的材料有关的任何危险以及如何安全地处置这些材料。
- ▶ 不要将本产品用于自动或半自动系统中的连续静止操作。
- ▶ 请仅使用原厂附件和 **Hilti** 的工具，以避免人身伤害危险。
- ▶ 使用防静电吸尘软管，以免出现静电效应。
- ▶ 不要抽吸可能刺穿集尘袋而造成损伤的物体 (例如尖头或锋利的抽吸物)。
- ▶ 不要站立在本产品上 (不要用其替代梯子)。
- ▶ 遵守您所在国家的事故预防法规。

##### 应用领域

本产品适用于商业用途中的以下应用：

- 对墙面和地板表面进行湿式和/或干式清洁
- 收集 **Hilti** 金刚石磨具、金刚石刀具、电锤以及使用干切削取芯钻头的取芯钻机产生的少量粉尘。
- 吸取温度不超过 60 °C (140 °F) 的油或液体物质。

VC 5L

##### 此外还适用于 L 吸尘器

抽吸干燥的不易燃粉尘、液体、木屑以及暴露限值 > 1 mg/m<sup>3</sup> 的危险粉尘 (L 级粉尘)。

VC 5M

##### 此外还适用于 M 吸尘器

吸取干燥的不易燃粉尘、液体、木屑以及暴露限值 ≥ 0.1 mg/m<sup>3</sup> 的危险粉尘 (M 级粉尘)。

使用吸尘器时，在排出的空气会回到房间的情况下，必须预先采取措施确保房间内有足够高的换气率 (L)。请遵守所在国的相应法规。

#### 3.3 供货范围

湿式和干式吸尘器，包括滤芯、带 (吸尘器端) 旋转套筒和工具套筒的吸尘软管、操作说明





经批准可以与本产品搭配使用的其他系统产品，可以在您当地的 [www.hilti.group](http://www.hilti.group) 购买或访问 Hilti Store 在线订购

## 4 技术数据

### 4.1 产品特性

	VC 5L	VC 5M
重量	11 kg	11 kg
尺寸 (长×宽×高)	530 mm × 380 mm × 500 mm	530 mm × 380 mm × 500 mm
尘箱容量	30 ℓ	30 ℓ
有效粉尘量	23 kg	23 kg
用水量	20 ℓ	20 ℓ
气温	-10 °C ... 40 °C	-10 °C ... 40 °C
过滤器清洁系统	手动	手动
最大额外负载	25 kg	25 kg
供电频率	50 Hz ... 60 Hz	50 Hz ... 60 Hz
保护等级	I	I
保护等级	IP X4	IP X4

### 4.2 额定电压

	100 V	110 V	110 V (英国 32 A)
额定功率	1,000 W	1,100 W	1,100 W
电动工具内置设备插座连接功率	•/•	•/•	600 W
电源连接 (类型)	VCT 3×2 mm <sup>2</sup>	VCTF 3×2 mm <sup>2</sup>	H07 RN-F 3G 1.5 mm <sup>2</sup>

	220 - 240 V	220 - 240 V (中国)	220 - 240 V (英国)
额定功率	1,200 W	1,200 W	1,200 W
电动工具内置设备插座连接功率	2,300 W	1,100 W	1,900 W
电源连接 (类型)	H07 RN-F 3G 1.5 mm <sup>2</sup>	H07 RN-F 3G 1.5 mm <sup>2</sup>	H07 RN-F 3G 1.5 mm <sup>2</sup>

	220 - 240 V (新西兰)
额定功率	1,200 W
电动工具内置设备插座连接功率	1,200 W
电源连接 (类型)	H07 RN-F 3G 1.5 mm <sup>2</sup>

### 4.3 最大体积流量和最大真空

	100 V	110 V	220 - 240 V
最大体积流量 (涡轮)	70 ℓ/s	71 ℓ/s	74 ℓ/s
最大体积流量 (软管末端)	144 m <sup>3</sup> /h (40 ℓ/s)	144 m <sup>3</sup> /h (40 ℓ/s)	144 m <sup>3</sup> /h (40 ℓ/s)
最大真空	19.5 kPa (195 mbar)	21.5 kPa (215 mbar)	22.5 kPa (225 mbar)

	220 - 240 V (中国)	220 - 240 V (英国)	220 - 240 V (新西兰)
最大体积流量 (涡轮)	74 ℓ/s	74 ℓ/s	74 ℓ/s
最大体积流量 (软管末端)	144 m <sup>3</sup> /h (40 ℓ/s)	144 m <sup>3</sup> /h (40 ℓ/s)	144 m <sup>3</sup> /h (40 ℓ/s)
最大真空	22.5 kPa (225 mbar)	22.5 kPa (225 mbar)	22.5 kPa (225 mbar)



#### 4.4 噪声和振动信息 (按照 EN 60335 标准测量)

排放声压级 ( $L_{pA}$ )	76 dB(A)
声压级的不确定系数 ( $K_{pA}$ )	2 dB(A)
振动排放值	< 2.5 $m/s^2$

## 5 使用加长电缆

### 使用加长电缆



**-警告-**

损坏的电源线会构成危险！在工作时，不要接触已损坏的电源线或加长电缆。将电源线插头从电源插座上断开。

- ▶ 定期检查设备的电源线，如果发现损坏，则让有资格的专业人员进行更换。
- 只能使用经批准可用于相关应用且导线尺寸 (横截面) 适当的加长电缆类型。否则可能会削弱设备的性能，且导致电缆过热。
- 定期检查加长电缆是否损坏。
- 更换已损坏的加长电缆。
- 进行户外作业时，只能使用具有相应标记且经批准可用于户外作业的加长电缆。



如要获取推荐的最小导线横截面积和电缆长度的相关信息，请扫描文档末尾的二维码。

## 6 工作现场的准备工作



**-小心-**

人身伤害的危险！产品意外启动。

- ▶ 对电动工具进行任何调节前或更换配件前，先拔出电源线插头。

请遵守本文档中以及产品上的安全说明和警告。

## 7 工作准备

### 7.1 装入集尘袋 (抓绒材质) 2

1. 从电源插座中拔出供电电缆插头。
2. 打开 2 个容器锁扣。
3. 将吸尘器头部从污物容器上抬离。
4. 必要时取下已满的集尘袋。
5. 将集尘袋通过适配器插到两个定位销上。
6. 将吸尘器头部装到污物容器上。
7. 关闭 2 个容器锁扣。
8. 检查以确保吸尘器头部已正确安装并固定。
9. 连接吸尘软管。

### 7.2 更换集尘袋 (塑料) 3

1. 从电源插座中拔出供电电缆插头。
2. 打开 2 个容器锁扣。
3. 将吸尘器头部从污物容器上抬离。
4. 必要时取下整个塑料集尘袋。
5. 将新的塑料集尘袋装入污物容器，将集尘袋盖住污物容器边缘。
  - ▶ 集尘袋上的孔必须位于污物容器内部。
  - ▶ 请借助黑色线将装入的集尘袋与容器边缘对齐。
6. 将吸尘器头部装到污物容器上。
7. 关闭 2 个容器锁扣。
8. 检查以确保吸尘器头部已正确安装并固定。



## 9. 连接吸尘软管。

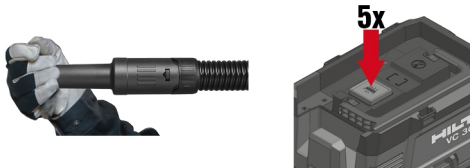
### 7.3 更换滤芯

1. 打开 2 个容器锁扣。
2. 将吸尘器头部从污物容器上抬离。
3. 移除过滤器封盖 (螺旋盖)。
4. 移除滤板。
5. 小心地移除用过的过滤器。
  - ▶ 确保没有灰尘掉入涡轮机开口中！
6. 将新的过滤器放到吸尘装置上。
7. 将滤板齐平地放到过滤器上。
8. 安装过滤器封盖。
9. 检查滤芯是否正确安装，将吸尘器头部安装到污物容器上。

## 8 操作

### 8.1 使用过滤器清洁功能

该吸尘器带有过滤器手动清洁功能。为获得最大的吸尘功率，请定期使用过滤器清洁功能。



1. 封闭软管末端。
2. 等待达到最大真空压力。
3. 连续按下按钮 4 - 5 次。

### 8.2 操作吸尘器

#### -小心-

危害健康的粉尘导致受伤危险！如果不使用滤芯，则已抽吸的有害物质可能漏出。

- ▶ 请只搭配所采用的滤芯来使用本真空吸尘器。

1. 将供电电缆插头插入电源插座之前，请确保功能选择开关处于 **OFF** 位置。
2. 将吸尘器的供电电缆插头插入电源插座。
3. 将设备开关转到位置 **ON**。

### 8.3 使用设备插座



本设备上的电源插座只能用于由吸尘器直接为电动工具供电。

必须遵照插头插在吸尘器上电源插座中的电动工具的操作说明和安全说明。


关闭电动工具后，吸尘器将继续运行一段较短的时间，以确保清除吸尘软管中的所有粉尘。

仅适用于瑞士和列支敦士登市场：仅在干燥环境条件下使用本设备插座。

1. 从电源插座中拔出吸尘器的供电电缆。
2. 检查并确保电动工具吸收的最大功率低于本吸尘器上电源插座的最大允许输出功率 (请参见操作说明的“技术数据”部分以及本设备上电源插座处所印的信息)。
3. 将电动工具的供电电缆插头插入电源插座之前，先检查以确保电动工具已关闭。
4. 将电动工具供电电缆插入吸尘器上的电源插座。
5. 将吸尘器的供电电缆插头插入电源插座。
6. 将设备开关转到位置 **AUTO**。
7. 打开电动工具。




## 8.4 吸取干粉尘

 吸取干粉尘 (特别是矿物材料产生的粉尘) 之前, 请务必检查以确保容器中安装有正确的集尘袋。然后可清洁、简单地处置吸尘器吸取的材料。

- ▶ 检查并确保滤芯干燥并且安装有类型正确的集尘袋。

## 8.5 抽吸液体


### 8.5.1 准备和执行

 如果可能, 湿式应用时使用单独的滤芯。

1. 从污物容器中取出集尘袋。
2. 检查液位监控器的浮子并在必要时清洁浮子。
3. 操作过程中请注意吸尘功率的变化, 比如触发液位监控器时。

### 8.5.2 液位监控器触发

当污物容器达到最大液位时, 会触发液位监控器。清空污物容器, 以便可以继续运行。


 抽吸较大的量时, 液体会积聚在过滤器中并限制浮子的功能。定期彻底排空过滤器中的液体。

1. 将设备开关旋转到 **OFF**。
2. 从电源插座中拔出供电电缆插头。
3. 打开 2 个容器锁扣。
4. 将吸尘器头部从污物容器上抬离, 然后将污物容器放到水平面上。
5. 通过提供的凹进抓握处抱住污物容器, 倒光其中的废料以将其排空。
6. 检查液位监控器的浮子并在必要时清洁浮子。
7. 将吸尘器头部装到污物容器上, 然后关闭 2 个容器锁扣。

## 8.6 使用吸尘器后

1. 将设备开关转到位置 **OFF**。
2. 从电源插座中拔出供电电缆插头。
3. 清空容器, 然后用一块湿布清洁吸尘器。
4. 将吸尘器存放 to 未经授权的用户无法接近的安全、干燥的地方。
  - ▶ 小心: 本吸尘器只能存放在室内。

### 8.6.1 抽吸干粉尘后

 自 M 级起的吸尘器必须搭配集尘袋一起使用。从而可以清空和废弃处理粉尘负荷较小的抽吸物。

1. 打开 2 个容器锁扣。
2. 将吸尘器头部从污物容器上抬离, 然后将污物容器放到水平面上。
3. 通过提供的凹进抓握处抱住污物容器, 倒光其中的废料以将其排空。
  - ▶ 对于 M 吸尘器: 将集尘袋从污物容器中取出, 并按照适用的规定对集尘袋进行废弃处理。
4. 用水管清洁污物容器。
5. 用一块湿布清洁吸尘器和污物容器的密封面。
6. 使污物容器变干。
7. 将吸尘器头部装到污物容器上, 然后关闭 2 个容器锁扣。

### 8.6.2 抽吸液体后

1. 打开 2 个容器锁扣。
2. 将吸尘器头部从污物容器上抬离, 然后将污物容器放到水平面上。
3. 通过提供的凹进抓握处抱住污物容器, 倒光其中的废料以将其排空。



4. 用水管清洁污物容器。
5. 用一块湿布清洁吸尘器和污物容器的密封面。
6. 将吸尘器头部与容器分开放置，以便干燥滤芯和容器。

## 9 真空吸尘器维护说明

### 警告

**电气危险！** 电气零部件的不当维修会因触电造成严重人身伤害。

- ▶ 电气零部件只能由受过培训的专业人员进行维修。
- ▶ 保持真空吸尘器干燥、清洁和没有油脂，特别是其把手表面。不要使用含硅的清洁剂。
- ▶ 当出风口堵塞时，切勿操作本真空吸尘器！使用干燥的刷子小心清洁通风孔。不要使异物进入涡轮机开口内部。
- ▶ 定期用微湿的布清洁真空吸尘器外部。不要使用喷淋系统、压力喷射式洗涤剂或流水进行清洁，否则可能对真空吸尘器的电气安全产生负面影响。
- ▶ 尤其要注意清洁容器上边缘及其凹槽，因为这对于废料容器与真空吸尘器顶部之间的密封性至关重要。

## 10 运输和存放

污物容器满时，不得搬运真空吸尘器。

不得将真空吸尘器吊在起重机上。

- ▶ 从支架上取下所有松动的配套工具。
- ▶ 请先排空真空吸尘器，然后再将其搬运到其他地点。
- ▶ 抽取液体后，请勿倾翻真空吸尘器，仅在竖直状态下运输真空吸尘器。
- ▶ 使用锥形转接器将软管的两端方便地连接到一起，以进行运输。

VC 5M

### 针对 M 级真空吸尘器

#### 警告

**危害健康的粉尘导致受伤危险！** 已抽取的有害物质可能通过吸尘软管进口插口漏出。

- ▶ 在运输真空吸尘器之前以及真空吸尘器不使用期间，用盖封闭软管进口插口。

## 11 故障排除

如果您遇到的问题未在该表中列出或您无法自行解决问题，请联系 Hilti 维修中心。

故障	可能原因	解决方案
无吸尘功率或吸尘功率降低。	滤芯堵塞或过旧。	<ul style="list-style-type: none"> <li>▶ 请检查污物容器的液位。</li> <li>▶ 请使用过滤器手动清洁功能。 → 页码 81</li> <li>▶ 按需更换过滤器。</li> </ul>
	未装入任何滤芯。	▶ 插入合适的滤芯。
光学警告信号 (吸尘功率降低)	集尘袋已满。	▶ 更换集尘袋。
	滤芯被污垢或粉尘堵塞。	▶ 请操纵过滤器手动清洁功能 (封闭集尘软管开口，以确保最佳的清洁性能)。
	吸尘软管或电动工具上的防尘罩堵塞。	▶ 清洁吸入软管和防尘罩。
粉尘从设备中吹出。	滤芯安装不正确。	▶ 重新正确安装滤芯。
	滤芯损坏。	▶ 安装新滤芯。
	未装入任何滤芯。	▶ 插入合适的滤芯。
设备自动关闭或意外打开或通过用户静电放电。	静电荷未消散 — 设备与未接地的电源插座相连。	▶ 将设备连接到带接地保护的电源插座，并使用抗静电软管。
电机不重新启动。	电源断路器已跳闸。	<ul style="list-style-type: none"> <li>▶ 复位断路器。</li> <li>▶ 如果再次跳闸，则查找出现过载电流的原因。</li> </ul>



故障	可能原因	解决方案
电机不重新启动。	污物容器已满。	▶ 关闭设备并排空污物容器。
	电机过热保护切断功能已经启动。	▶ 关闭设备，使其冷却约 5 分钟。 ▶ 如果电机不启动，则将设备送回 Hilti 维修中心。
	电机通过其热断路器反复关闭。	▶ 使用干燥的刷子小心清洁通风孔。
当设置到“AUTO”(自动) 时，电机不运行。	设备有故障或插头未正确插入。	▶ 确保供电电缆插头完全插入，并检查设备功能是否正常。

## 12 废弃处置

大部分用于 Hilti 工具和设备生产的材料是可回收利用的。在可以回收之前，必须正确分离材料。在很多国家，您的旧工具、机器或设备可送至 Hilti 进行回收。敬请联系 Hilti 服务部门或您的喜利得公司代表获得更多信息。



- ▶ 不要将电动工具、电子设备和电池扔进家庭垃圾中！

## 13 制造商保修

- ▶ 如对保修条件有任何疑问，请联系您当地的 Hilti 代表。

## 14 更多信息

关于操作、技术、环保和回收的更多信息请查看以下链接：[qr.hilti.com/manual/?id=2297598&id=2298710](http://qr.hilti.com/manual/?id=2297598&id=2298710)  
文档末尾也提供二维码链接。





## دليل الاستعمال الأصلي

## 1 بيانات بخصوص دليل الاستعمال

## 1.1 خاص بدليل الاستعمال هذا

- اقرأ دليل الاستعمال قبل التشغيل. يعتبر هذا شرطاً للعمل بشكل آمن والاستخدام بدون اختلالات.
- احرص على مراعاة إرشادات الأمان والإرشادات التحذيرية الواردة دليل الاستعمال هذا والمدونة على المنتج.
- احتفظ بدليل الاستعمال دائماً مع هذا المنتج، ولا تعطي المنتج لأشخاص آخرين إلا مع إرفاق دليل الاستعمال هذا معه.

## 2.1 شرح العلامات

## 1.2.1 إرشادات تحذيرية

تتبع الإرشادات التحذيرية إلى الأخطار الناشئة عند التعامل مع الجهاز. يتم استخدام الكلمات الدلالية التالية:

## خطر ⚠

خطر!

• تشير لخطر مباشر يؤدي لإصابات جسدية خطيرة أو إلى الوفاة.

## تحذير ⚠

تحذير!

• تشير لخطر محتمل قد يؤدي لإصابات جسدية خطيرة أو إلى الوفاة.

## احترس ⚠

احترس!

• تشير لموقف خطر محتمل يمكن أن يؤدي لإصابات جسدية أو أضرار مادية.

## 2.2.1 الرموز في المستند

يتم في مستندنا استخدام الرموز التالية:

قبل الاستخدام اقرأ دليل الاستعمال	
احترس	
إرشادات الاستخدام ومعلومات أخرى مفيدة	
التعامل مع مواد قابلة لإعادة التدوير	
لا تتخلص من الأجهزة الكهربائية البطاريات ضمن القمامة المنزلية	

## 3.2.1 الرموز في الصور

يتم في صورنا استخدام الرموز التالية:

2	تشير هذه الأعداد إلى الصور المعنية بمطلع هذا الدليل
3	ترقيم الصور يمثل ترتيب خطوات العمل في الصور، وقد يختلف عن ترقيم خطوات العمل في النص
11	يتم استخدام أرقام المواضع في صورة العرض العام وهي تشير إلى أرقام تعليق الصورة في فصل عرض عام للمنتج
!	هذه العلامة من شأنها أن تثير انتباهك جيداً عند التعامل مع المنتج.



### 3.1 الرموز المرتبطة بالمنتج

#### 1.3.1 الرموز على المنتج

قد تكون الرموز التالية مستخدمة على المنتج:

يُحظر النقل بالرافعة

#### 4.1 الملصقات الخاصة الموجودة على المنتج

**تحذير:** يحتوي هذا الشفاط على غبار ضار بالصحة. لا يجوز إجراء التفريغ والصيانة، بما في ذلك التخلص من كيس تجميع الغبار، إلا من قِبل فنيين متخصصين يرتدون تجهيزات الحماية الشخصية المناسبة. اقتصر على تشغيل الشفاط مع وجود نظام فلترة كامل ويعمل بشكل سليم.

VC 5L



شفاط L

VC 5M



شفاط M

#### 5.1 معلومات المنتج

منتجات **Hilti** مُصممة للمستخدمين المحترفين ويقتصر استعمالها وصيانتها وإصلاحها على الأشخاص المعتمدين والمدربين جيداً. هؤلاء الأشخاص يجب أن يكونوا قد تلقوا تدريباً خاصاً على الأخطار الطارئة. قد يتسبب المنتج وأدواته المساعدة في حدوث أخطار إذا تم التعامل معها بشكل غير سليم فنياً من قِبل أشخاص غير مدربين أو تم استخدامها بشكل غير مطابق للتعليمات.

يوجد مسمى الطراز والرقم المسلسل على لوحة الصنع.

◀ انقل الرقم المسلسل في الجدول التالي. ستحتاج إلى بيانات المنتج في حالة الاستفسارات الموجبة إلى ممثلينا أو مركز الخدمة.

#### بيانات المنتج

VC 5L	شفاط المواد الرطبة والجافة
VC 5M	
01	الجيل
	الرقم المسلسل

#### 6.1 بيان المطابقة

تعلن الجهة الصانعة على مسؤوليتها وحدها بأن المنتج المشروع هنا يتوافق مع التشريعات والمعايير المعمول بها. تجد صورة لبيان المطابقة في نهاية هذا المستند.

المستندات الفنية محفوظة هنا:

Hilti Entwicklungsgesellschaft mbH | Zulassung Geräte | Hiltistraße 6 | 86916 Kaufering, DE



## 1.2 إرشادات عامة للسلامة

- بالإضافة إلى إرشادات السلامة الواردة بشكل منفصل في فصول هذا الدليل يلزم أيضا مراعاة الأمور التالية في كل الأوقات.
- اقرأ جميع الإرشادات! عدم الالتزام بالإرشادات التالية يمكن أن يؤدي لصعقة كهربائية أو حريق و/أو وقوع إصابات خطيرة.
- عند استخدام الجهاز بالاشتراك مع أداة كهربائية أخرى يجب قبل الاستخدام قراءة دليل استعمال الأداة الكهربائية ومراعاة جميع الإرشادات الواردة فيه.
- لا يسمح بإجراء أية تدخلات أو تغييرات على الجهاز.
- استخدم الجهاز المناسب. لا تستخدم الجهاز في أغراض غير تلك المخصص لها، بل استخدمه فقط بشكل مطابق للتعليمات وهو في حالة سليمة.
- استعمل قبل استخدام المنتج عن طريقة الاستخدام والأخطار المرتبطة بالخامات والتخلص الآمن من الخامات المشفوفة.
- احرص على مراعاة المؤثرات المحيطة. لا تستخدم الجهاز في مكان مُعرض لخطر الحريق أو الانفجار.
- لا يجوز استخدام الجهاز إلا من قبل أشخاص على دراية به وباستخدامه بطريقة آمنة، وعلى وعي بالمخاطر التي قد تنتج عنه. الجهاز غير مخصص للأطفال. يجب مراقبة الأطفال للتأكد من عدم عبثهم بالجهاز.
- احفظ الأجهزة غير المستعملة بشكل آمن. ينبغي حفظ الأجهزة غير المستخدمة في مكان جاف مرتفع أو مغلق وبعيدا عن متناول الأطفال.

## 2.2 مكان العمل

- اعمل على توفير إضاءة جيدة لنطاق العمل.
- احرص على توفير تهوية جيدة لمكان العمل. أماكن العمل سيئة التهوية يمكن أن تسبب أضرار صحية بسبب التلوث بالغبار.
- حافظ على نطاق عملك في أفضل حال. حافظ على محيط العمل خاليا من الأشياء التي يمكن أن تعرضك للإصابة. فالقوضي في أماكن العمل يمكن أن تؤدي إلى وقوع حوادث.
- لا تعمل بالجهاز في محيط معرض لخطر الانفجار يتواجد به سوائل أو غازات أو أنواع غبار قابلة للاشتعال. الأجهزة الكهربائية تولد شررا يمكن أن يؤدي لإشعال الغبار أو الأبخرة.

## 3.2 السلامة الكهربائية

- يجب أن يكون قاسم توصيل الجهاز متلائما مع المقبس. لا يجوز تعديل القابس بأي حال من الأحوال. لا تستخدم قوابس مهايأة مع أجهزة ذات وصلة أرضي محمية. القوابس غير المعدلة والمقابس الملائمة تقلل من خطر حدوث صدمة كهربائية.
- أدخل القابس في مقبس مؤرض وملائم تم تركيبه بشكل آمن ومتوافق مع جميع الاشتراطات المحلية. إذا ساورك الشك بشأن مدى أمان تأريض المقبس فاحرص على فحصه من قبل كهربائي متخصص ومعتمد.
- تجنب حدوث تلامس للجسم مع أسطح مؤرضة مثل الأسطح الخاصة بالمواسير وأجهزة التدفئة والمواقد والثلاجات. ينشأ خطر متزايد من حدوث صدمة كهربائية عندما يكون جسمك متصلا بالأرض.
- تأكد من عدم تواجد كابل الكهرباء في بقعة مائية.
- افحص سلك توصيل الجهاز بصفة دورية وعند تلفه اعمل على تغييره بمعرفة ورشة خدمة Hilti. افحص توصيلات الإطالة بشكل منتظم واستبدلها عندما تلف.
- في حالة تضرر وصلة الكهرباء و/أو كابل الإطالة أثناء العمل، فلا يجوز لمسها. اسحب القابس الكهربائي من المقبس. وصلات الكهرباء وكابلات الإطالة التالفة تمثل خطرا في حالة حدوث صدمة كهربائية.
- لا تستخدم الكابل في الغرض غير المخصص له، كأن تستخدمه للحمل أو التعليق أو لسحب القابس من المقبس. احتفظ بالكابل بعيدا عن السخونة والزيوت والحواف الحادة والأجزاء المتحركة للجهاز. الكابلات التالفة أو المتشابهة تزيد من خطر حدوث صدمة كهربائية.
- عندما تعمل بجهاز كهربائي في مكان مكشوف، لا تستخدم سوى كابلات الإطالة المناسبة للعمل في النطاق الخارجي. استخدام كابل إطالة مناسب للعمل في النطاق الخارجي يقلل من خطر حدوث صدمة كهربائية.
- أوقف الجهاز في حالة انقطاع التيار الكهربائي وانزع القابس الكهربائي من المقبس.



- ◀ استخدم مقبس الجهاز في الأغراض المحددة في دليل الاستعمال فقط.
- ◀ لا تقم بتشغيل الجهاز أبداً وهو متسخ أو مبتل. حيث يمكن أن يؤدي الغبار الملتصق بسطح الجهاز ولاسيما الغبار الناتج من مواد موصلة للكهرباء أو الرطوبة إلى التعرض لصعقة كهربائية في بعض الظروف غير الملائمة. لذا اعمل على فحص الأجهزة المتسخة على فترات زمنية منتظمة لدى خدمة Hilti ولاسيما في حالة العمل المتكرر مع مواد موصلة للكهرباء.
- ◀ ينشأ خطر الحريق من جراء فرط التمهيل! لا تتخطى الحد الأقصى المسموح به للتيار البالغ 8 أمبير بالأداة الكهربائية الموصلة بمقبس الجهاز.

## 4.2 سلامة الأشخاص

- ◀ كن يقظاً وانتبه لما تفعل وتعامل مع المنتج بتعقل عند العمل به. لا تستخدم الشفاط إذا كنت مجهداً أو تحت تأثير مخدرات أو الكحول أو عقاقير طبية. فعدم الانتباه للحظة واحدة أثناء استخدام الجهاز يمكن أن تؤدي لإصابات خطيرة.
- ◀ أثناء استخدام وصيانة الجهاز يجب على المستخدم والأشخاص المتواجدين بالقرب منه استعمال نظارة واقية ملائمة وخوذة حماية وواقى للسمع وقفاز واقى وحذاء واقى وواقى خفيف للتنفس.
- ◀ تأكد من عدم تعرض الشفاط للتدرج أو السقوط.
- ◀ اضغط على مكابح العجلات لتثبيت وقوف الشفاط. في حالة فتح مكابح العجلات يمكن أن يتحرك الشفاط بصورة خارجية عن السيطرة.
- ◀ تراعى تعليمات الوقاية من الحوادث المعمول بها في كل بلد.
- ◀ إذا أمكن تركيب تجهيزات شفط وتجميع الغبار، فتأكد أنها موصلة ومستخدمة بشكل سليم. استخدام تجهيزات شفط الغبار يمكن أن يقلل الأخطار الناتجة عن الغبار.
- ◀ يتم تشغيل الشفاطة أوتوماتيكياً بمجرد تشغيل أداة كهربائية موصلة بمقبس الجهاز. التشغيل غير المتوقع للشفاطة قد يتسبب في خطر إصابة.

## 5.2 إرشادات السلامة الخاصة بالمكنسة

- يجب قبل الشروع في العمل تعريف المستخدمين بطريقة التعامل مع المكنسة والأخطار الصادرة عن المواد المقرر شفطها وطريقة التخلص الآمنة من المواد المشفوفة.
- لا يجوز استخدام هذه المكنسة لغرض شفط الغبار عن الإنسان أو الحيوان.
- لا تستخدم المكنسة في وضع التشغيل المستمر على نحو ثابت أو مع الأجهزة الأوتوماتيكية أو نصف الأوتوماتيكية.
- لا تستخدم جسم المكنسة بدلاً عن السلم.
- لا تستخدم المكنسة تحت الماء.

## 6.2 المخلفات

- ◀ لا يُسمع بشفط الغبار الضار بالصحة أو القابل للاشتعال و/أو للانفجار (مثل غبار الماغنيسيوم والألومنيوم). الخامات التي تزيد درجة حرارتها على 60 °م (140 °ف) لا يُسمع بشفطها (مثل السجائر المشتعلة، الرماد الساخن).
- ◀ قبل بدء الأعمال، تحقق دائماً من فئة خطر الغبار الضار بالصحة الذي قد ينشأ أثناء العمل. المواد الضارة بالصحة مثل الأسبستوس والرصاص ليست ضمن الاستخدام المطابق للتعليمات الخاص بالمنتج بشكل صريح ويحظر التعامل معها - صفحة 90. إذا كنت تتعامل مع المواد المحتوية على الرصاص أو الأسبستوس على أي حال، يعتبر ضمان الجهة الصانعة لمنتجك لاغياً.
- ◀ يمكن أن يحتوي الغبار الناتج عن عمليات التجليخ والسنفرة والقطع والثقب على مواد كيميائية خطيرة. ومن أمثلة ذلك: الرصاص أو الطلادات المُشمّلة على قاعدة رصاص، الطوب والخرسانة ومنتجات البناء الأخرى والحجر الطبيعي والمنتجات الأخرى المحتوية على الكوارتز، بعض الأخشاب مثل البلوط والزنان والأخشاب المعالجة كيميائياً، الأسبستوس أو المواد المحتوية على الأسبستوس. قم بتحديد مدى تعرض المُشغل والأشخاص المحيطين لفترة الخطر للمواد التي يتم العمل عليها. احرص على اتخاذ التدابير اللازمة للحفاظ على التعرض لمستوى آمن، مثل استخدام نظام تجميع غبار أو ارتداء كمامة مناسبة للتنفس. يدخل ضمن التدابير العامة لتقليل مدى التعرض:
  - ◀ العمل في نطاق جيد التهوية،
  - ◀ تجنب ملامسة الغبار لفترة طويلة،
  - ◀ إزالة الغبار عن الوجه والجسم،
  - ◀ ارتداء بزة واقية وغسل المناطق المكشوفة بالماء والصابون.



- ◀ لا يُسمح بشفط السوائل القابلة للاشتعال أو الانفجار أو السوائل الكاوية (مواد التبريد والتزليق والبنزين والمذيبات والأحماض (تركيز >5pH) والقلويات (تركيز <12,5pH) وما شابه)
- ◀ أطفئ الجهاز على الفور في حالة تسرب رغاوي منه أو سوائل.
- ◀ احرص على ارتداء قفاز واق عند شفط مخلفات ساخنة تصل درجة حرارتها إلى 60 °م (140 °ف) بحد أقصى.
- ◀ عند التعامل مع أحوال الثقب المعدنية احرص على ارتداء بزة واقية وتجنب ملامستها للبشرة (تركيز <9pH، كاو)
- ◀ تجنب ملامسة السوائل القلوية أو الحمضية. اشطفه بالماء في حالة ملامسته عن طريق الخطأ. إذا تسرب السائل إلى العينين فاشطفه بكمية وفيرة من الماء واحرص على استشارة الطبيب علاوة على ذلك.

VC 5L

#### بشكل إضافي في حالة شفطات الفئة L

- ◀ الجهاز في فئة الغبار L يكون مناسباً لشفط وطرود الغبار الجاف غير القابل للاشتعال والسوائل ونشارة الخشب والأتربة الخطيرة المنصوص على قيم حدية للتعرض لها تبلغ < 1 مجم/م<sup>3</sup>.

VC 5M

#### بشكل إضافي عند استخدام شفطات M

- ◀ الجهاز في فئة الغبار M يكون مناسباً لشفط/طرود الغبار الجاف غير القابل للاشتعال ونشارة الخشب والأتربة الخطيرة المنصوص على قيم حدية للتعرض لها تبلغ < 0,1 مجم/م<sup>3</sup>.

### 7.2 التعامل مع الشفاط واستخدامه بحذر وحرص

- ◀ لا تترك الشفاط أبداً دون مراقبة.
- ◀ احرص على حماية الشفاط من الصقيع.
- ◀ افحص مفتاح مراقبة مستوى الملاء (العوامة) بصفة دورية من حيث وجود اتساخات وأضرار ظاهرة وقم عند اللزوم بإزالة الاتساخات الشديدة من العوامة.
- ◀ لدى تركيب رأس شفاط الغبار احرص على ألا تنحصر أصابعك أو تلتحق أضرار بكابل الكهرباء. هناك خطر الإصابة والتعرض للضرر.
- ◀ افحص الشفاط والملحقات من حيث وجود أضرار مُحتملة. قبل مواصلة الاستخدام يجب فحص تجهيزات الحماية أو الأجزاء المتعرضة للضرر الطفيف بعناية من حيث أدائها لوظيفتها بشكل سليم ومطابق للتعليمات. تأكد أن الأجزاء المتحركة تعمل بشكل سليم وأنها ليست منحصرة أو متعرضة للضرر. يجب أن تكون جميع الأجزاء مُركبة بشكل صحيح ومستوفية لجميع الاشتراطات، وذلك لضمان تشغيل الشفاط بشكل سليم.
- ◀ اعمل على إصلاح الشفاط من خلال فنيين أكفاء فقط والاقصر على استخدام قطع الغيار الأصلية. وبالتالي تضمن الحفاظ على سلامة الشفاط.
- ◀ احرص دائماً على سحب القابس الكهربائي من المقبس في حالة عدم استخدام الشفاط (أثناء فترات الراحة). وقبل إجراء أعمال العناية والصيانة وقبل تغيير الملحقات أو تغيير الفلتر. هذا الإجراء الوقائي من شأنه منع بدء تشغيل الشفاط دون قصد.
- ◀ لا تقم أبداً بسحب الشفاط من كابل الكهرباء لتحريكه إلى موضع آخر. لا تمر بالشفاط فوق كابل الكهرباء.
- ◀ لا تنقل الشفاط باستخدام رافعة.

VC 5M

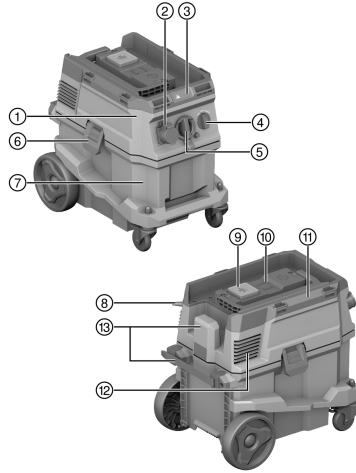
#### بشكل إضافي عند استخدام شفطات M

- ◀ عند نقل الجهاز أو في حالة عدم استخدامه، احرص على غلق تجهيزة الإدخال باستخدام جلبة الغلق.



1.3 نظرة عامة على المنتج 1

- ① رأس الشفاط
- ② مقبس الجهاز (تجهيز اختياري)
- ③ نطاق البيان ونطاق الاستعمال
- ④ مفتاح الجهاز
- ⑤ تجهيزة الإدخال (خرطوم الشفط)
- ⑥ وسيلة تأمين الوعاء
- ⑦ خزان المخلفات
- ⑧ كابل الكهرباء
- ⑨ زر الاستعمال «تنظيف الفلتر يدويًا»
- ⑩ غطاء حاجب للموديول اللاسلكي (اختياري)
- ⑪ مقبض حمل
- ⑫ فتحة تصريف الهواء
- ⑬ خطاف نقل كابل الكهرباء (مع إمكانية التثبيت)



2.3 الاستخدام المطابق للتعليمات

المنتج المشروح عبارة عن شفاط غبار شامل وملائم لمجال الأعمال التجارية، مثلًا مواقع العمل والفنادق والمدارس والمستشفيات والمصانع والمحال والمكاتب ومحال الإيجار. المنتج مخصص للاستخدامات في النطاق الجاف والرطب.

يجب عدم محاولة استخدام هذا المنتج لشفط الغبار عن الإنسان أو الحيوان. يُحظر استخدام الجهاز تحت الماء. هذا المنتج غير مُصنع به لتطبيق Hilti SafeSet.

- ◀ استعمل قبل استخدام المنتج عن طريقة الاستخدام والأخطار المرتبطة بالخامات والتخلص الآمن من الخامات.
- ◀ لا تستخدم المنتج في وضع التشغيل المستمر لفترة طويلة ثابتة أو مع أجهزة التشغيل الأوتوماتيكي أو نصف الأوتوماتيكي.
- ◀ اقتصر على استخدام الملحقات التكميلية والأدوات الأصلية من Hilti، لتجنب مخاطر الإصابة.
- ◀ لتجنب التأثيرات الكهروستاتيكية احرص على استخدام خرطوم شفط مضاد للشحنات الاستاتيكية.
- ◀ لا تقم بشفط أشياء قد تتسبب في الإصابة بجروح (مثل الأشياء المدببة أو الحادة).
- ◀ لا تستخدم المنتج بدلًا عن السلم.
- ◀ تراعى تعليمات الوقاية من الحوادث المعمول بها في كل بلد.

مجالات الاستخدام

هذا الجهاز مخصص في الاستخدام التجاري للتطبيقات التالية:

- تنظيف المواد الجافة والمبللة بالجدران والأرضيات
- شفط كميات منخفضة من الغبار باستخدام المجالغ الماسية ومجالغ القطع والمطارق الثقابة وطرابيش الثقب الجاف من Hilti.
- شفط الزيت والوسائط السائلة حتى درجة حرارة > 60 م° (140 ف°).

VC 5L

بشكل إضافي في حالة شفاطات الفئة L

شفط الغبار الجاف غير القابل للاشتعال والسوائل ونشارة الخشب والأتربة الخطيرة المنصوص على قيم حدية للتعرض لها تبلغ < 1 مجم/م³ (فئة الغبار L).



### بشكل إضافي عند استخدام شفاطات M

شفاط الغبار الجاف غير القابل للاشتعال والسوائل ونشارة الخشب والأثرية الخطيرة المنصوص على قيم حدية للتعرض لها تبلغ  $0,1 \text{ م}^3/\text{مجم}$  (فئة الغبار M).

في حالة استخدام مزيل الغبار، يكون من الضروري تحديد مُعدل كافٍ من تغيير الهواء L في المكان عند إعادة تصريف الهواء الخارج في نفس المكان. احرص على مراعاة التشريعات المعملة.

### 3.3 مجموعة التجهيزات الموردة

شفاط المواد الرطبة والجافة، شاملاً قلب الفلتر وخرطوم الشفط بالكامل مع الجلبة الدوارة (جهة الشفاط) وجلبة الأداة ودليل الاستعمال

تجد المزيد من منتجات النظام المسموع بها للمنتج الخاص بك لدى متجر **Hilti Store** أو على موقع الإنترنت: [www.hilti.group](http://www.hilti.group)



## 4 المواصفات الفنية

### 1.4 خصائص المنتج

VC 5M	VC 5L	
11 كجم	11 كجم	الوزن
530 مم × 380 مم × 500 مم	530 مم × 380 مم × 500 مم	الأبعاد (طول×عرض×ارتفاع)
30 لتر	30 لتر	سعة الخزان
23 كجم	23 كجم	كمية الغبار المستوعبة
20 لتر	20 لتر	كمية الماء المستوعبة
10-° م ... 40° م	10-° م ... 40° م	درجة حرارة الهواء
يدوي	يدوي	وظيفة تنظيف الفلتر
25 كجم	25 كجم	أقصى تحميل إضافي
50 هرتز ... 60 هرتز	50 هرتز ... 60 هرتز	تردد الشبكة الكهربائية
I	I	فئة الحماية
IP X4	IP X4	نوع الحماية

### 2.4 الجهد الكهربائي الاسمي

110 فلت (GB 32 A)	110 فلت	100 فلت	
1,100 واط	1,100 واط	1,000 واط	قدرة الدخل الاسمية
600 واط	*/°	*/°	قدرة التوصيل التي يتمتع بها مقبس الجهاز المدمج لتوصيل أدوات كهربائية
3G RN-F H07 1,5 مم <sup>2</sup>	VCTF 3×2 mm <sup>2</sup>	VCT 3×2 mm <sup>2</sup>	التوصيل بالشبكة الكهربائية (النوع)
220 - 240 فلت (بريطانيا)	220 - 240 فلت (سويسرا)	220 - 240 فلت	
1,200 واط	1,200 واط	1,200 واط	قدرة الدخل الاسمية
1,900 واط	1,100 واط	2,300 واط	قدرة التوصيل التي يتمتع بها مقبس الجهاز المدمج لتوصيل أدوات كهربائية
3G RN-F H07 1,5 مم <sup>2</sup>	3G RN-F H07 1,5 مم <sup>2</sup>	3G RN-F H07 1,5 مم <sup>2</sup>	التوصيل بالشبكة الكهربائية (النوع)



قدرة الدخل الاسمية	1,200 واط	220 - 240 فلت (نيوزيلندا)
قدرة التوصيل التي يتمتع بها مقبس الجهاز المدمج لتوصيل أدوات كهربائية	1,200 واط	
التوصيل بالشبكة الكهربائية (النوع)	3G RN-F H07 1,5 مم <sup>2</sup>	

#### 3.4 أقصى قدرة للتيار وأقصى تفريغ للهواء

أقصى قدرة للتيار (التوربين)	100 فلت	110 فلت	220 - 240 فلت
70 لتر/ثانية	71 لتر/ثانية	74 لتر/ثانية	
أقصى قدرة للتيار (طرف الخرطوم)	144 م <sup>3</sup> /ساعة (40 لتر/ثانية)	144 م <sup>3</sup> /ساعة (40 لتر/ثانية)	144 م <sup>3</sup> /ساعة (40 لتر/ثانية)
الحد الأقصى للضغط المنخفض	19.5 كيلو باسكال (195 مللي بار)	21.5 كيلو باسكال (215 مللي بار)	22.5 كيلو باسكال (225 مللي بار)

أقصى قدرة للتيار (التوربين)	240 - 220 فلت (سويسرا)	240 - 220 فلت (بريطانيا)	240 - 220 فلت (نيوزيلندا)
74 لتر/ثانية	74 لتر/ثانية	74 لتر/ثانية	74 لتر/ثانية
أقصى قدرة للتيار (طرف الخرطوم)	144 م <sup>3</sup> /ساعة (40 لتر/ثانية)	144 م <sup>3</sup> /ساعة (40 لتر/ثانية)	144 م <sup>3</sup> /ساعة (40 لتر/ثانية)
الحد الأقصى للضغط المنخفض	22.5 كيلو باسكال (225 مللي بار)	22.5 كيلو باسكال (225 مللي بار)	22.5 كيلو باسكال (225 مللي بار)

#### 4.4 معلومات الضجيج والاهتزاز، مُقاسة حسب EN 60335

مستوى ضغط الصوت المنبعث (L <sub>PA</sub> )	76 ديسيبل (A)
نسبة التفاوت لمستوى ضغط الصوت (K <sub>PA</sub> )	2 ديسيبل (A)
قيمة انبعاثات الاهتزاز	> 2.5 م/ثانية <sup>2</sup>

## 5 استخدام كابل إطالة

### استخدام كابل إطالة



**خطر بسبب الكابلات التالفة!** في حالة تلف كابل الكهرباء أو كابل الإطالة أثناء العمل، فإنه لا يجوز لمس الكابل. اسحب القابس الكهربائي من المقبس.

- أفحص أسلاك توصيل الجهاز بشكل منتظم وعند تلفها اعمل على تغييرها بمعرفة فني معتمد.
- لا تستخدم سوى كابل إطالة مسموح به في نطاق العمل المعني وبراعى أن يكون ذا مقطع عرضي كاف.
- وإلا فمن الممكن أن يقل أداء الجهاز ويسخن الكابل بشدة.
- أفحص كابل الإطالة بانتظام للتأكد من عدم وجود أضرار به.
- اعمل على تغيير كابلات الإطالة التالفة.
- في الأماكن المكشوفة لا تستخدم سوى كابل إطالة مصرح به لذلك ومذكور عليه ما يفيد ذلك.

**i** القيم الموصى بها للحد الأدنى للمقاطع العرضية والحد الأقصى لأطوال الكابلات موجودة في نهاية هذا المستند ككود QR.

## 6 التحضير للعمل



**احترس:**

- خطر الإصابة!** تشغيل الجهاز بشكل غير مقصود.
- اسحب القابس الكهربائي، قبل إجراء عمليات ضبط الجهاز أو تغيير أجزاء الملحقات.





## 7 التحضير للعمل

### 1.7 قم بتركيب كيس تجميع الغبار (الصوف) 2

1. اسحب القابس الكهربائي من المقبس.
2. افتح وسيلتي تأمين الوعاء.
3. ارفع رأس الشفاط لخلعه من خزان المخلفات.
4. عند اللزوم، اخلع كيس تجميع الغبار بالكامل.
5. قم بتركيب كيس تجميع الغبار مع المهايئ على كلا الساقين.
6. ركب رأس الشفاط على خزان المخلفات.
7. أغلق وسيلتي تأمين الوعاء.
8. تأكد أن رأس الشفاط مركب بشكل صحيح ومؤمن القفل.
9. قم بتوصيل خرطوم الشفط.

### 2.7 تغيير كيس تجميع الغبار (البلاستيكي) 3

1. اسحب القابس الكهربائي من المقبس.
2. افتح وسيلتي تأمين الوعاء.
3. ارفع رأس الشفاط لخلعه من خزان المخلفات.
4. عند اللزوم أخرج كيس تجميع الغبار البلاستيكي الممتلئ.
5. ضع كيس تجميع غبار (بلاستيكي) جديدًا في خزان المخلفات وقم بتثبيت كيس تجميع الغبار حول حافة خزان المخلفات.
  - ◀ يجب أن تستقر ثقبو كيس تجميع الغبار داخل خزان المخلفات.
  - ◀ قم بمحاذاة كيس الغبار المركب بالاستعانة بالخط الأسود على حافة الخزان.
6. ركب رأس الشفاط على خزان المخلفات.
7. أغلق وسيلتي تأمين الوعاء.
8. تأكد أن رأس الشفاط مركب بشكل صحيح ومؤمن القفل.
9. قم بتوصيل خرطوم الشفط.

### 3.7 استبدال قلب الفلتر 4

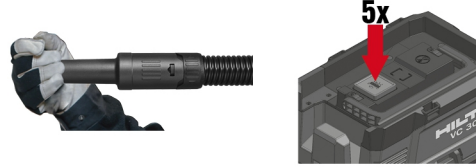
1. افتح وسيلتي تأمين الوعاء.
2. ارفع رأس الشفاط لخلعه من خزان المخلفات.
3. اخلع سداة الفلتر (سداة ملولبة).
4. اخلع قرص الفلتر.
5. قم بمرص بإبعاد الفلتر المُستعمل.
  - ◀ يُراعى عدم سقوط أي اتساخات في فتحة التوربينات!
6. ضع الفلتر الجديد على وسيلة الشفط.
7. ضع قرص الفلتر بمحاذاة الفلتر.
8. قم بتركيب سداة الفلتر.
9. راجع التركيب الصحيح لقلب الفلتر وضع راس الشفاط على وعاء تجميع الاتساخات.

## 8 الاستعمال

### 1.8 استعمال خاصة تنظيف الفلتر

يشتمل الشفاط على خاصية تنظيف الفلتر اليدوية. للوصول إلى أقصى قدرة شفط، استخدم خاصية تنظيف الفلتر على فترات منتظمة.





1. قم بتأمين غلق طرف الخرطوم.
2. انتظر حتى يتكون الحد الأقصى من الضغط المنخفض.
3. اضغط من 4-5 مرات متتالية على زر الاستعمال

## 2.8 استخدام الشفاط

### ⚠️ احتس:

**خطر الإصابة من جراء الغبار الضار بالصحة!** بدون استخدام قلب الفلتر يمكن أن تتسرب مخلفات شفت ضارة. اقتصِر على استخدام الشفاط مع تركيب قلب الفلتر.

1. تأكد قبل تركيب القابس الكهربائي أن مفتاح اختيار الوظيفة مستقر على وضع **الإيقاف**.
2. أدخل القابس الكهربائي للشفاط في المقبس.
3. أدر مفتاح الجهاز إلى وضع **التشغيل**.

## 3.8 استخدام مقبس الجهاز

**i** مقبس الجهاز مخصص فقط لتوصيل الأدوات الكهربائية مباشرة بالشفاط. في حالة الأدوات الكهربائية الموصلة بمقبس الجهاز يجب مراعاة أدلة استعمال هذه الأدوات وإرشادات السلامة الواردة بها. بعد إيقاف الأداة الكهربائية يستمر عمل الشفاط لوهلة قصيرة، كي يتم شفط الغبار الموجود في خرطوم الشفت.

**فقط لأسواق سويسرا وليشتنشتاين:** لا تستخدم مقبس الجهاز إلا في التطبيقات التي تتم في الظروف المحيطة الجافة.

1. اسحب القابس الكهربائي للشفاط من المقبس.
2. تأكد أن القدرة القصوى للأداة الكهربائية المراد توصيلها أقل من القدرة القصوى المسموح بها لمقبس الجهاز، انظر فصل «المواصفات الفنية» والبيانات المطبوعة على مقبس الجهاز.
3. تأكد قبل توصيل القابس الكهربائي للأداة الكهربائية أن الأداة الكهربائية متوقفة.
4. أدخل القابس الكهربائي للأداة الكهربائية في مقبس الجهاز.
5. أدخل القابس الكهربائي للشفاط في المقبس.
6. أدر مفتاح الجهاز إلى وضع **الأوتوماتيكي**.
7. قم بتشغيل الأداة الكهربائية.

## 4.8 شفط الغبار الجاف

**i** قبل شفط الغبار الجاف والغبار المعدني بصفة خاصة يجب دائماً مراعاة وضع كيس تجميع الغبار الصحيح في الفزان. وعندئذ يتسنى التخلص من المواد المشفوفة بطريقة سهلة ونظيفة.

⬅️ احرص على أن يكون قلب الفلتر جاف وأن كيس تجميع الغبار الملائم مركب.

## 5.8 شفط السوائل

### 1.5.8 التحضير والتنفيذ

**i** استخدم قدر الإمكان قلب فلتر منفصل للاستخدام مع المواد المبللة.



1. أخرج كيس تجميع الغبار من خزان المخلفات.
2. افحص عوامة مراقبة مستوى الماء، وقم بتنظيف العوامة عند اللزوم.
3. احرص أثناء التشغيل على تعديلات من قدرة الشفط، على سبيل المثال إذا لم تنطلق وظيفة مراقبة مستوى الماء.

### 2.5.8 انطلاق وظيفة مراقبة مستوى الماء

عند وصول خزان المخلفات إلى مستوى الماء الأقصى، تنطلق وظيفة مراقبة مستوى الماء. قم بتفريغ خزان المخلفات، لكي يتسنى مواصلة التشغيل.

**i** عند شفط كميات كبيرة، فمن الممكن أن يتراكم السائل في الفلتر وتعرض وظيفة العوامة للتقييد. احرص على أن يتدفق السائل من الفلتر بالكامل على فترات منتظمة.

1. أدر مفتاح الجهاز إلى الوضع **OFF**.
2. اسحب القابس الكهربائي من المقبس.
3. افتح وسيلتي تأمين الوعاء.
4. ارفع رأس الشفاط لخلعه من خزان المخلفات وضع خزان المخلفات على أرضية مستوية.
5. أمسك الجهاز من تجاويف المسك واقرب خزان المخلفات لتفريغه.
6. افحص عوامة مراقبة مستوى الماء، وقم بتنظيف العوامة عند اللزوم.
7. ضع رأس الشفاط على خزان المخلفات وأغلق وسيلتي تأمين الوعاء.

### 6.8 بعد الشفط

1. أدر مفتاح الجهاز إلى وضع **الإيقاف**.
  2. اسحب القابس الكهربائي من المقبس.
  3. قم بتفريغ الخزان وتنظيف الشفاط باستخدام قطعة قماش مبللة.
  4. ضع الشفاط في مكان جاف، وبحيث يكون بنأى عن الاستخدام من قبل أشخاص غير مؤهلين.
- ◀ تنبيه: غير مسموح بتخزين شفاط الغبار إلا في أماكن مغلقة.

### 1.6.8 بعد شفط الأتربة الجافة

**i** احرص دائمًا على تشغيل الشفاط بدءًا من الفئة M مع كيس تجميع الغبار. حيث يمكن من خلال ذلك تفريغ والتخلص من مخلفات الشفط باستخدام قدرة شفط منخفضة.

1. افتح وسيلتي تأمين الوعاء.
  2. ارفع رأس الشفاط لخلعه من خزان المخلفات وضع خزان المخلفات على أرضية مستوية.
  3. أمسك الجهاز من تجاويف المسك واقرب خزان المخلفات لتفريغه.
- ◀ **بالنسبة للشفاطات M:** أخرج كيس تجميع الغبار من خزان المخلفات وتخلص من كيس تجميع الغبار وفقًا للوائح المعمول بها.
4. قم بتنظيف خزان المخلفات باستخدام خرطوم ماء.
  5. قم بتنظيف الشفاط وسطح جوانب خزان المخلفات باستخدام قطعة قماش مبللة.
  6. اترك خزان المخلفات يجف.
  7. ضع رأس الشفاط على خزان المخلفات وأغلق وسيلتي تأمين الوعاء.

### 2.6.8 بعد شفط السوائل

1. افتح وسيلتي تأمين الوعاء.
2. ارفع رأس الشفاط لخلعه من خزان المخلفات وضع خزان المخلفات على أرضية مستوية.
3. أمسك الجهاز من تجاويف المسك واقرب خزان المخلفات لتفريغه.
4. قم بتنظيف خزان المخلفات باستخدام خرطوم ماء.
5. قم بتنظيف الشفاط وسطح جوانب خزان المخلفات باستخدام قطعة قماش مبللة.
6. ضع رأس الشفاط بشكل منفصل عن الخزان، لكي يتسنى تجفيف قلب الفلتر والخزان.



**تحذير**

**خطر بسبب التيار الكهربائي!** قد تؤدي أعمال الصيانة للأجزاء الكهربائية بشكل غير سليم إلى حدوث إصابات خطيرة من جراء الصدمات الكهربائية.  
 يجب أن تتم الإصلاحات على الأجزاء الكهربائية بمعرفة فني كهرباء متخصصين.

- ◀ حافظ على الشفط، وخصوصاً مواضع المسك، في حالة جافة ونظيفة وخالية من الزيت والشحم. لا تستخدم مواد عناية محتوية على سليكون.
- ◀ لا تقم بتشغيل الشفط أبداً بينما فتحات التهوية مسدودة! قم بتنظيف فتحات التهوية بحرص باستخدام فرشاة جافة. اعمل على منع دخول أجسام غريبة إلى داخل فتحة التوربين.
- ◀ قم بتنظيف الشفط من الخارج بصفة دورية باستخدام فوطة مبللة بعض الشيء. لا تستخدم في التنظيف بخافة أو جهاز عامل بالبخار أو ماء جار، لأن ذلك يمكن أن يهدد السلامة الكهربائية للشفط.
- ◀ احرص بشكل خاص على تنظيف الحافة العلوية للخزان والمز الخاص بها لأهمية هذا بالنسبة لعنصر منع التسرب بين خزان المخلفات ورأس الشفط.

**10 النقل والتخزين**

- ◀ لا يجوز نقل الشفط وخزان المخلفات ممتلئ.
- ◀ لا يجوز تعليق الشفط على رافعة.
- ◀ اخلع أداة الشغل السائبة من الحامل.
- ◀ قم بتفريغ الشفط قبل نقله إلى مكان آخر.
- ◀ لا تقم بقلب الشفط و قم بنقل الشفط في وضع قائم فقط، عندما تقوم بشفط السوائل.
- ◀ لغرض النقل يمكنك توصيل طرفي الخرطوم ببعضهما بالاستعانة بالمهايئ المخروطي.

VC 5M

**في حالة الشفطات من الفئة M**
**تحذير**

**خطر الإصابة من جراء الغبار الضار بالصحة!** يمكن أن تتسرب مخلفات شفط خطيرة عبر تجهيزة الإدخال.  
 ◀ أغلق تجهيزة الإدخال باستخدام جلبة الغلق عند نقل المكنسة وعدم استخدامها.

**11 المساعدة في حالات الاختلالات**

في حالة وجود اختلالات غير واردة في هذا الجدول، أو لم تستطع التغلب عليها بنفسك توجه إلى مركز خدمة Hilti.

الخلل	السبب المحتمل	الحل
لا توجد قدرة شفط أو قدرة الشفط منخفضة.	عنصر الفلتر مسدود أو قديم للغاية.	<ul style="list-style-type: none"> <li>◀ افحص مستوى ماء خزان المخلفات.</li> <li>◀ استخدم خاصية تنظيف الفلتر اليدوية. – صفحة 93</li> <li>◀ عند الحاجة، قم بتغيير الفلتر.</li> </ul>
إشارة تحذير مرئية (انخفاض قدرة الشفط)	لم يتم تركيب عنصر فلتر. كيس تجميع الغبار ممتلئ. عنصر الفلتر متسخ بشدة.	<ul style="list-style-type: none"> <li>◀ قم بتركيب عنصر فلتر مناسب.</li> <li>◀ قم بتغيير كيس تجميع الغبار.</li> <li>◀ استخدم خاصية تنظيف الفلتر اليدوية (أغلق فتحة خرطوم الشفط من أجل توفير قدرة تنظيف مثالية).</li> </ul>
يتم تصريف الغبار خارج الجهاز.	انسداد خرطوم الشفط أو واقية الغبار بالأداة الكهربائية.	<ul style="list-style-type: none"> <li>◀ قم بتنظيف خرطوم الشفط وواقية الغبار.</li> </ul>
	عنصر الفلتر مركب بشكل غير صحيح. عنصر الفلتر به ضرر.	<ul style="list-style-type: none"> <li>◀ قم بتركيب عنصر الفلتر من جديد.</li> <li>◀ قم بتركيب قلب فلتر جديد.</li> </ul>
	لم يتم تركيب عنصر فلتر.	<ul style="list-style-type: none"> <li>◀ قم بتركيب عنصر فلتر مناسب.</li> </ul>



الخلل	السبب المحتمل	الحل
يتم تشغيل وإيقاف الجهاز دون قصد أو يتم تفريغ الشحنة الاستاتيكية عن طريق المستخدم.	تفريغ الشحنات الكهروستاتيكية غير مضمون، الجهاز موصل بمقبس كهربائي غير مؤرض.	◀ قم بتوصيل الجهاز بمقبس كهربائي مؤرض، واستخدم خرطومًا مضادًا لتكون الشحنات الاستاتيكية.
المحرك لم يعد يدور.	انطلاق مصبر المقبس الكهربائي.	◀ قم بتشغيل المصبر. ◀ في حالة تكرار انطلاق المصبر احرص على تقصي سبب زيادة التيار.
	خزان المخلفات ممتلئ.	◀ أوقف الجهاز وقم بتفريغ خزان المخلفات.
	تدخل المصبر الحراري للمحرك.	◀ أوقف الجهاز واتركه يبرد لمدة 5 دقائق تقريبًا. ◀ إذا لم يدر المحرك، فعليك إحضاره إلى مركز خدمة عملاء Hilti.
	المصبر الحراري للمحرك يقوم بإيقاف المحرك بشكل متكرر.	◀ قم بتنظيف فتحات التهوية بحرص باستخدام فرشاة جافة.
المحرك لا يعمل في طريقة التشغيل الأوتوماتيكي.	الجهاز الموصل معطل أو موصل بشكل غير صحيح.	◀ افحص الجهاز الموصل من حيث الأداء الوظيفي وقم بتركيب القابس الكهربائي جيدًا.

## 12 التكيب

أجهزة Hilti مصنوعة بنسبة كبيرة من مواد قابلة لإعادة التدوير. يشترط إعادة التدوير أن يتم فصل الغامات بشكل سليم فينبا. في العديد من الدول تقوم شركة Hilti باستغلال الأجهزة القديمة لإعادة تدويرها. وللعلومات حول ذلك اتصل بخدمة عملاء Hilti أو الموزع القريب منك.

◀ لا تعلق الأدوات الكهربائية، الأجهزة الإلكترونية والبطاريات ضمن القمامة المنزلية!

## 13 ضمان الجبة الصانعة

◀ في حالة وجود أية استفسارات بخصوص شروط الضمان، يرجى التوجه إلى وكيل Hilti المحلي التابع لك.

## 14 مزيد من المعلومات

تجد مزيدًا من المعلومات حول الاستعمال والتقنية والبيئة وإعادة التدوير تحت الرابط التالي:  
[qr.hilti.com/manual/?id=2297598&id=2298710](https://qr.hilti.com/manual/?id=2297598&id=2298710)  
تجد هذا الرابط أيضًا في نهاية المستند ككود QR.



**1 מידע על הוראות ההפעלה**

**1.1 על הוראות הפעלה אלו**

- קרא את הוראות ההפעלה האלה במלואן לפני השימוש הראשון. רק כך ניתן להבטיח עבודה בטוחה ונטולת תקלות.
- שים לב להוראות הבטיחות ולאזהרות שבהוראות הפעלה אלה ושעל המוצר.
- שמור את הוראות ההפעלה תמיד בצמוד למוצר, ואם אתה מעביר את המוצר לאדם אחר, צרף תמיד את הוראות ההפעלה האלה.

**1.2 הסבר הסימנים**

**1.2.1 אזהרות**

האזהרות מזהירות מפני סכנות בשימוש במוצר. במדריך זה מופיעות מילות המפתח הבאות:

**סכנה** ⚠

**סכנה!**

⬅ מציינת סכנה מיידית, המובילה לפציעות גוף קשות או למוות.

**אזהרה** ⚠

**אזהרה!**

⬅ מציינת סכנה אפשרית, שיכולה להוביל לפציעות גוף קשות או למוות.

**זהירות** ⚠

**זהירות!**

⬅ מציינת מצב שעלול להיות מסוכן ולהוביל לפציעות גוף או לנזקים לרכוש.

**1.2.2 סמלים במסמך זה**

הסמלים הבאים מופיעים במסמכים שלנו:

קרא את הוראות ההפעלה לפני השימוש	
זהירות	
הנחיות לשימוש ומידע שימושי נוסף	
טיפול נכון בחומרים למיחזור	
אין להשליך לפסולת הביתית מכשירים חשמליים וסוללות	

**1.2.3 סמלים באיורים**

הסמלים הבאים מופיעים באיורים שלנו:

מספרים אלה מפנים לאיור המתאים בתחילת חוברת ההוראות	<b>2</b>
המספרים באיורים משקפים את רצף הפעולות, והם עשויים להיות שונים מרצף הפעולות המצוינות בטקסט	3
מספרי הפריטים מופיעים באיור <b>סקירה</b> ותואמים את המספרים במקרא בפרק <b>סקירת המוצר</b>	⓪11
סימן זה אמור לעורר את תשומת לבך המיוחדת בעת השימוש במוצר.	

**1.3 סמלים ספציפיים למוצר**

**1.3.1 סמלים על המוצר**

הסמלים הבאים עשויים להופיע על המוצר:




**1.4 מדבקות מיוחדות על המוצר**

**אזהרה:** שואב זה מכיל אבק מסוכן לבריאות. רק בעלי מקצוע המשתמשים בצידוד הגנה מתאים רשאים לבצע את הריקון והתחזוקה כולל הסילוק של שקית השואב. יש להשתמש בשואב האבק אך ורק כאשר מותקנת בו מערכת הסינון בשלמותה והיא תקינה לגמרי.

VC 5L


**שואב L**

VC 5M


**שואב M**
**1.5 פרטי המוצר**

המוצרים של **Hilti** מיועדים למשתמש המקצועי, ורק אנשים מורשים, שעברו הכשרה מתאימה, רשאים לתפעל, לתחזק ולתקן אותם. אנשים אלה חייבים ללמוד באופן מיוחד את הסכנות האפשריות. המוצר המתואר והעדרים שלו עלולים להיות מסוכנים כאשר אנשים שלא עברו הכשרה מתאימה משתמשים בהם באופן לא מקצועי או כאשר נעשה בהם שימוש שלא בהתאם לייעוד. שם הדגם והמספר הסידורי מצוינים על לוחית הדגם.

רשום את המספר הסידורי בטבלה הבאה. בכל פנייה לנציגינו או למעבדת שירות יש לציין את נתוני המוצר.

**נתוני המוצר**

שואב רטוב-יבש	VC 5L VC 5M
דור	01
מס' סידורי	

**1.6 הצהרת תאימות**

היצרן מצהיר באחריותו הבלעדית כי המוצר המתואר כאן עונה על דרישות החוק התקפות והתקנים התקפים. בסוף תיעוד זה ישנו צילום של הצהרת התאימות.

התיעוד הטכני שמור כאן:

Hilti Entwicklungsgesellschaft mbH | Zulassung Geräte | Hiltistraße 6 | 86916 Kaufering, Germany

**2 ביטוח**
**2.1 הוראות ביטוח כלליות**

- בנוסף להערות הביטוח בפרקים השונים בהוראות הפעלה אלה יש להקפיד בדיוקנות על ההנחיות הבאות בכל עת.
- קרא את כל ההנחיות! אי ציות להנחיות הבאות עשוי להוביל להתחשמלות, לשרפה ו/או לפציעות קשות.
- בעת שימוש במכשיר בשילוב עם כלי עבודה חשמלי יש לקרוא לפני השימוש את הוראות ההפעלה של כלי העבודה החשמלי ולפעול בהתאם לכל ההנחיות.
- התערבות או ביצוע שינויים במכשיר אסורים.
- השתמש במכשיר המתאים. אין להשתמש במכשיר למטרות שלא לשמן הוא יועד, אלא רק בהתאם לייעודו וכשהוא תקין לגמרי.



- ◀ לפני שאתה מתחיל להשתמש במכשיר למד כיצד לתפעל אותו, מה הן הסכנות שהחומרים עשויים לגרום להן וכיצד יש לסלק את החומרים שנשאבו.
- ◀ שים לב להשפעות הסביבה. אין להשתמש במכשיר היכן שקיימת סכנת אש או התפוצצות.
- ◀ רק אנשים שמכירים היטב את המכשיר, שלמדו כיצד להשתמש בו באופן בטוח ושמועדים לסכנות הנובעות משימוש במכשיר רשאים להשתמש במכשיר זה. המכשיר אינו מיועד לילדים. יש להשגיח על ילדים כדי להבטיח שאינם משחקים במכשיר.
- ◀ מכשירים שאינם בשימוש יש לשמור במקום בטוח. מכשירים שאינם בשימוש יש לאחסון במקום יבש, מוגבה או נעול, מחוץ להישג ידם של ילדים.

## 2.2 מקום העבודה

- ◀ דאג לתאורה טובה באזור העבודה.
- ◀ דאג לאוורור מספיק במקום העבודה. במקומות עבודה שהאוורור בהם לקוי עלול להיווצר עומס אבק גבוה שיפגע בבריאות.
- ◀ שמור על סדר באזור העבודה שלך. הרחק מסביבת העבודה חפצים שעלולים לפצוע אותך. אי-סדר במקום העבודה עלול לגרום לתאונות.
- ◀ אין להפעיל את המכשיר בסביבה שקיימת בה סכנת פיצוץ או שיש בה נודלים, גזים או אבק דליקים. כלי עבודה חשמליים יוצרים ניצוצות, שעלולים להצית את האבק או האדים.

## 2.3 בטיחות בחשמל

- ◀ תקע החשמל של המכשיר חייב להתאים לשקע החשמל. אסור לשבות בשום אופן את תקע החשמל. אל תשתמש בשקע מתאם בידוך עם מכשירים מוארים. תקעים חשמליים במצבם המקורי ושקעי חשמל מתאימים מפחיתים את הסיכון להתחשמלות.
- ◀ תקע את התקע בשקע חשמלי מוארק מתאים, שמותקן בצורה בטיחותית ומותאם לכל תנאי המקום. אם יש לך ספק אם יש שקע מוארק, התייעץ בחשמלאי מוסמך.
- ◀ מנע מגע של הגוף בשטחים מוארים כגון צינורות, גופי חימום, תנורים ומקררים. קיימת סכנה גבוהה להתחשמלות כאשר הגוף שלך מוארק.
- ◀ ודא שכבל החשמל אינו מונח בשולית.
- ◀ בדוק באופן סדיר את כבל החשמל של המכשיר, ובמקרה שזיהית נזקים פנה למעבדה של Hilti לצורך החלפתו. בדוק את הכבלים המאריכים באופן סדיר והחלף אותם אם כיוזקו.
- ◀ אם במהלך העבודה נגרם נזק לכבל החשמל ו/או לכבל המארץ, אל תגיע בהם. נתק את תקע החשמל משקע רשת החשמל. כבלי חשמל וכבלים מאריכים פגומים עלולים לגרום להתחשמלות.
- ◀ אל תשתמש בכבל החשמל למטרות שלא לשמן הוא נועד, לדוגמה: אל תרים את המכשיר מהכבל ואל תנסה לנתק את התקע משקע החשמל במשיכה מהכבל. הרחק את הכבל ממקורות חום, משמן, פינות חדות או חלקי מכשיר נעים. כבלים שניזוקו או שהשתככו בחלקים אחרים מגדילים את הסיכון להתחשמלות.
- ◀ כאשר אתה עובד עם המכשיר החשמלי בחוץ, השתמש רק בכבל מאריך המיועד לשימוש בחוץ. שימוש בכבל מאריך המיועד לשימוש בחוץ מקטין את הסיכון להתחשמלות.
- ◀ אם מתרחשת הפסקת חשמל יש לכבות את המכשיר ולשלוף את התקע.
- ◀ השתמש בשקע כלי העבודה רק למטרות המצוינות בהוראות ההפעלה.
- ◀ לעולם אין להפעיל את המכשיר כאשר הוא מלוכלך או רטוב. אבק שנדבק לפני השטח של המכשיר, ובמיוחד אבק מחומרים מוליכים או לחות עלולים לגרום להתחשמלות. לכן יש להביא מכשיר מלוכלך לבדיקות סדירות במעבדות Hilti, במיוחד כאשר עובדים לעתים תכופות בחומרים מוליכים.
- ◀ עומס יתר עלול להיות מסוכן! כאשר מחברים כלי עבודה חשמלי לשקע המכשירים אסור לחרוג מהזרם המרבי המותר של 8 אמפר.

## 2.4 בטיחות של אנשים

- ◀ היה ערני, שים לב למה שאתה עושה, ופעל בתבונה כאשר אתה עובד עם המוצר. אל תשתמש בשואב כשאתה עייף או תחת השפעת סמים, אלכוהול או תרופות. רגע אחד של חוסר תשומת לב בזמן השימוש במכשיר יכול לגרום לפציעות קשות.
- ◀ במשך כל זמן העבודה במכשיר או התחזוקה שלו המשתמש ואנשים הנמצאים בקרבת מקום צריכים להשתמש במשקפי מגן ובקסדת מגן מתאימים, בכפפות הגנה, במגני שמיעה, במסכת נשימה קלה ובנעלי בטיחות.
- ◀ ודא שהשואב אינו יכול להידרדר או ליפול.
- ◀ הפעל את בלמי הגלגלים כדי להבטיח שהשואב עומד יציב. כאשר בלמי הגלגלים משוחררים השואב יכול להתחיל לנוע ללא שליטה.
- ◀ שים לב להנחיות הבטיחות בעבודה הספציפיות למדינתך.
- ◀ כאשר ניתן להתקין התקני שאיבת אבק יש לוודא שהם מחוברים לחשמל, ויש להקפיד להשתמש בהם בצורה נכונה. שימוש בשואב מקטין את הסכנות הנובעות מהאבק.
- ◀ השואב נדלק אוטומטית כאשר מדליקים את כלי העבודה המחובר לשקע המכשירים. התחלת עבודה לא צפויה של השואב עלולה להוות סכנת פציעה.





## 2.5 הנחיות בטיחות לשואב

- לפני תחילת העבודה המפעילים חייבים ללמוד כיצד מתפעלים את השואב, מה הן הסכנות שעשויות לנבוע מהחומר וכיצד יש לסלק בצורה בטוחה את החומר שנשאב.
- אסור לשאוב אנשים ובעלי חיים באמצעות שואב זה.
- אין להשתמש בשואב כשואב נייד קבוע, במערכת אוטומטית או חצי-אוטומטית.
- אל תשתמש בגוף שואב האבק כסולם.
- אין להשתמש בשואב מתחת למים.

## 2.6 חומר נשאב

- ◀ **אסור לשאוב אבק מדיק לבריאות, דליק ו/או נפיץ (לדוגמה אבק של מגנזיום או אלומיניום). אסור לשאוב חומרים חמים בטמפרטורה מעל 60°C (140°F) (כגון סיגריות להטות, אפר חם).**
- ◀ בדוק לפני תחילת כל עבודה את דירוג הסכנה של האבק המסוכן שעשוי להיווצר במהלך העבודה. חומרים מסוכנים לבריאות, כגון אדבסט או עופרת אינם כלולים בשימוש המיועד של המוצר, ולכן אסור לעבוד איתם – עמוד 102. אם בכל זאת תעבוד בחומרים המכילים עופרת או אדבסט, אחריות היצרן למוצר שלך תתבטל.
- ◀ אבק שנוצר במהלך לייטוש, השחזה, חיתוך או קידוח עלול להכיל כימיקלים מסוכנים. להלן כמה דוגמאות: עופרת או צבעים על בסיס עופרת; לבנים, בטון וחומרי קיר אחרים, אבן טבעית ומוצרים אחרים המכילים קוורץ; עצים מסוימים, כגון אלון, בוק ועץ שעבר טיפול כימי; אדבסט או חומרים המכילים אדבסט. יש ללמוד את חשיפת המשתמש והאנשים בסביבה על פי דירוג הסכנה של החומרים שבהם עובדים. נקט את האמצעים הדרושים כדי לשמור את החשיפה ברמה בטוחה, לדוגמה שימוש במערכות שאיבת אבק או בלישת מסיכת נשימה מתאימה. להלן רשימה של אמצעים כלליים להפחתת החשיפה:
  - ◀ עבודה באזור מאוורר היטב.
  - ◀ הימנעות ממגע ממושך עם האבק.
  - ◀ סילוק האבק מהפנים והגוף.
  - ◀ בלישת ביגוד מגן ושטיפת אזורים חשופים במים וסבון.
- ◀ **אסור לשאוב נוזלים דליקים, נפיצים או אגרסיביים (שמני קירור וסיכה, בנדין, חומרים ממסים, חומצה (pH > 5), תמיסות חיוטי (pH < 12.5) וכן הלאה).**
- ◀ **אם קצף או נוזלים דולפים כבה מיד את המכשיר.**
- ◀ **בעת שאיבה של חומרים חמים עד מקס' 60°C (140°F) יש ללבוש כפפות הגנה.**
- ◀ **בעבודה עם בוץ קידוח מינרלי לבש ביגוד מגן ומנע מגע בעור (pH < 9, צורב).**
- ◀ **מנע גם עם נוזלים בסיסיים או חומציים. אם נוצר במקרה מגע, שטוף את האזור במים. אם הנוזל מגיע לעיניים, שטוף בהרבה מים ופנה לעזרה רפואית.**

VC 5L

### מידע נוסף לשואבי L

- ◀ המכשיר בדירוג אבק L מתאים לשאיבה של אבק יבש ולא דליק, שבבי עץ ואבק מסוכן בעל ערכי גבול חשיפה שגדולים מ-1 מ"ג/מ"ק.

VC 5M

### מידע נוסף לשואבי M

- ◀ מכשיר בעל דירוג אבק M מתאים לשאיבה של אבק יבש ולא דליק, שבבי עץ ואבק מסוכן בעל ערך גבול חשיפה מינימלי של 0.1 מ"ג/מ"ק.

## 2.7 טיפול ושימוש בכונים בשואב

- ◀ אל תשאיר בשום אופן את השואב ללא השגחה.
- ◀ הגן על השואב מפני קרה.
- ◀ בדוק באופן סדיר אם אמצעי ניטור המפלס (המצופף) מלוכלך ואם יש בו נדקים גלויים, ובמקרה הצורך הסר המצופף לכולך גס.
- ◀ בעת חיבור ראש השואב ודא שאינך מוחץ אברי גוף וכבל החשמל אינו נפגע. סכנת פציעה וסכנת נדק.
- ◀ בדוק אם קיימים נדקים בשואב ובאביזרים. לפני המשך השימוש יש לבדוק שהתקני ההגנה או חלקים שנידקו מעט במצאים במצב תקין לגמרי ופועלים בהתאם לייעודם. בדוק שהחלקים הנעים פועלים בצורה תקינה לגמרי ואינם נתקעים או פגומים. כל החלקים צריכים להיות מותקנים בצורה נכונה ולעמוד בכל הדרישות כדי להבטיח הפעלה תקינה של השואב.
- ◀ רק לטכנאים מוסמכים מותר לתקן את השואב, ורק תוך שימוש בחלפים מקוריים. באופן זה תובטח שמירה על בטיחות השואב.
- ◀ במקרה של אי-שימוש בשואב (בזמן הפסקות עבודה), לפני טיפול ותחזוקה ולפני החלפת אביזרים או מסנן נתק תמיד את התקע משקע החשמל. אמצעי זהירות זה מונע הפעלה בשוגג של השואב.
- ◀ לעולם אין למשוך את השואב מכלל החשמל כדי להעביר אותו למקום אחר. אל תסיע את השואב מעל לכבל החשמל.
- ◀ אל תותיל את השואב באמצעות מנוף.



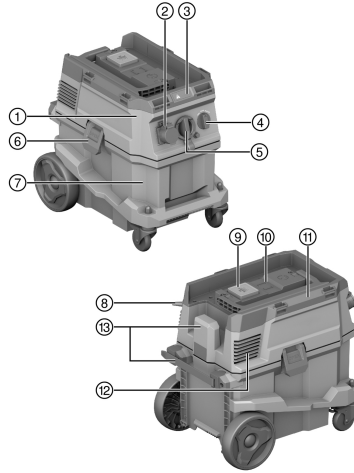
**מידע נוסף לשואבי M**

← לפני הובלה או הפסקה בשימוש יש לסגור את פתח הכניסה באמצעות פקק מופה.

**3 תיאור**

**3.1 סקירת המוצר**

- ① ראש השואב
- ② שקע מכשירים (אופציונלי)
- ③ לוח תצוגה והפעלה
- ④ מתג המכשיר
- ⑤ מחבר כניסה (צינור שאיבה)
- ⑥ נעילת המכל
- ⑦ מכל לכלוך
- ⑧ כבל חשמל
- ⑨ לחצן "ניקוי ידני של המסנן"
- ⑩ מכסה חיפוי עבור מודול רדיו (אופציונלי)
- ⑪ דיית נשיאה
- ⑫ פתח יציאת אוויר
- ⑬ וו הובלה עבור כבל החשמל (כולל אפשרות קיבוע)



**3.2 שימוש בהתאם לליעוד**

המוצר המתואר הוא שואב אבק אוניברסלי לשימוש מקצועי, לדוגמה באתרי בנייה, במלונות, בבתי ספר, בבתי חולים, במפעלים, בחנויות, במשרדים ובמבנים להשכרה. המוצר מיועד לשימוש באזורים יבשים ורטובים. אסור לשאוב אנשים ובעלי חיים באמצעות מוצר זה. השימוש מתחת למים אסור.

מוצר זה אינו מאושר לשימוש עם מערכת **Hilti SafeSet**.

- ← לפני תחילת השימוש במוצר למד את אופן השימוש בו, את הסכנות שבעבודה בחומרים שונים וכיצד יש לסלק את החומרים באופן בטוח.
- ← אין להשתמש במוצר כשואב נייד קבוע במערכות אוטומטיות או חצי-אוטומטיות.
- ← כדי למנוע פציעות יש להשתמש רק באביזרים ובכלי עבודה מקוריים של **Hilti**.
- ← כדי למנוע תופעות אלקטרוסטטיות יש להשתמש בצינור שאיבה אנטיסטטי.
- ← אין לשאוב עצמים שיכולים לפצוע דרך שקית השואב (לדוגמה עצמים בעלי חוד או שוליים חדים).
- ← אין להשתמש במוצר כסולם.
- ← ציית לתקנות הבטיחות הספציפיות למדינתך.

**תחומי השימוש**

מוצר זה מיועד לשימוש תעשייתי בתחומים הבאים:

- ניקוי רטוב ויבש של קירות ורצפות
- שאיבה של כמויות אבק קטנות עם כלי השחזה מיהלום, משחזות זווית, פטישונים ומכונות קידוח יבש של **Hilti**.
- שאיבה של שמן וחומרים נוזליים עד לטמפרטורה מרבית של 60°C (140°F).



**מידע נוסף לשואבי L**

שאיבה של אבק יבש ולא דליק, נודלים, שבבי עץ ואבק מסוכן בעל ערכי גבול חשיפה שגדולים מ-1 מ"ג/מ"ק (דירוג אבק L).

**מידע נוסף לשואבי M**

שאיבה של אבק יבש ולא דליק, נודלים, שבבי עץ ואבק מסוכן בעל ערך גבול חשיפה מינימלי של 0.1 מ"ג/מ"ק (דירוג אבק M).  
בשאיבת אבק חשוב להקפיד על קצב תחלופת אוויר מספיק L בחלל, אם אוויר הפליטה מוחזר לחלל. הישמע לתקנות במדינה הרלוונטית.

**3.3 מפרט אספקה**

שואב רטוב-יבש כולל מסנן, צינור שאיבה שם עם שרוול מסתובב (בצד השואב) ושרוול כלי עבודה, הוראות הפעלה

מוצרים נוספים המאושרים עבור המוצר שלך תמצא ב- **Hilti Store** או בכתובת: [www.hilti.group](http://www.hilti.group)


**4 בתונים טכניים**
**4.1 מאפייני המוצר**

VC 5M	VC 5L	
11 ק"ג	11 ק"ג	<b>משקל</b>
530 מ"מ × 380 מ"מ × 500 מ"מ	530 מ"מ × 380 מ"מ × 500 מ"מ	<b>מידות (א'ר'א'ג')</b>
30 ליטר	30 ליטר	<b>נפח המכל</b>
23 ק"ג	23 ק"ג	<b>משקל אבק מרבי בשקית האבק</b>
20 ליטר	20 ליטר	<b>כמות מילוי מים</b>
40 °C ... -10 °C	40 °C ... -10 °C	<b>טמפרטורת אוויר</b>
ידני	ידני	<b>ביקוי מסנן</b>
25 ק"ג	25 ק"ג	<b>עומס נוסף מרבי</b>
50 הרץ ... 60 הרץ	50 הרץ ... 60 הרץ	<b>תדירות רשת</b>
I	I	<b>דירוג הגנה</b>
IP X4	IP X4	<b>סוג הגנה</b>

**4.2 מתח נקוב**

110 V (GB 32 A)	110 V	100 V	
1,100 ואט	1,100 ואט	1,000 ואט	<b>הספק נקוב</b>
600 ואט	•/•	•/•	<b>הספק חיבור של שקע כלי העבודה המובנה במכשיר</b>
H07 RN-F 3G 1.5 ממ"ר	VCTF 3×2 mm <sup>2</sup>	VCT 3×2 mm <sup>2</sup>	<b>חיבור חשמל (סוג)</b>

220 – 240 V (GB)	220 – 240 V (CH)	220 – 240 V	
1,200 ואט	1,200 ואט	1,200 ואט	<b>הספק נקוב</b>
1,900 ואט	1,100 ואט	2,300 ואט	<b>הספק חיבור של שקע כלי העבודה המובנה במכשיר</b>
H07 RN-F 3G 1.5 ממ"ר	H07 RN-F 3G 1.5 ממ"ר	H07 RN-F 3G 1.5 ממ"ר	<b>חיבור חשמל (סוג)</b>

<b>(NZ) 240 – 220 וולט</b>			
		1,200 ואט	<b>הספק נקוב</b>
		1,200 ואט	<b>הספק חיבור של שקע כלי העבודה המובנה במכשיר</b>
		H07 RN-F 3G 1.5 ממ"ר	<b>חיבור חשמל (סוג)</b>



#### 4.3 ספיקה מקסימלית ותת-לחץ מקסימלי

220 – 240 V	110 V	100 V	
74 ליטר/שנייה	71 ליטר/שנייה	70 ליטר/שנייה	ספיקה מרבית (טורבינה)
144 מ"ק/שעה (40 ליטר/שנייה)	144 מ"ק/שעה (40 ליטר/שנייה)	144 מ"ק/שעה (40 ליטר/שנייה)	ספיקה מקס' (בקצה הצינור)
22.5 קילו פסקל (225 מיליבר)	21.5 קילו פסקל (215 מיליבר)	19.5 קילו פסקל (195 מיליבר)	תת-לחץ מקסימלי

220 – 240 V (GB)	220 – 240 V (CH)	220 – 240 V (NZ)	
74 ליטר/שנייה	74 ליטר/שנייה	74 ליטר/שנייה	ספיקה מרבית (טורבינה)
144 מ"ק/שעה (40 ליטר/שנייה)	144 מ"ק/שעה (40 ליטר/שנייה)	144 מ"ק/שעה (40 ליטר/שנייה)	ספיקה מקס' (בקצה הצינור)
22.5 קילו פסקל (225 מיליבר)	22.5 קילו פסקל (225 מיליבר)	22.5 קילו פסקל (225 מיליבר)	תת-לחץ מקסימלי

#### 4.4 מידע על רעשים ורעידות, נמדד בהתאם ל-EN 60335

76 dB(A)	רמת לחץ קול נפלטת ( $L_{pA}$ )
2 dB(A)	אי-ודאות ברמת לחץ קול ( $K_{pA}$ )
$> 2.5$ מ' שני <sup>2</sup>	ערכי תנודות

#### 5 שימוש בכבל מאריך

שימוש בכבל מאריך

**אזהרה** ⚠

**סכנה עקב כבל פגום!** אם כבל החשמל או הכבל המאריך ניזוקו במהלך העבודה אסור לגעת בכבל. נתק את תקע החשמל משקע רשת החשמל.

- ◀ בדוק באופן סדיר את כבל החשמל של המכשיר, ובמקרה שזיהית נזקים פנה לבעל מקצוע מורשה לצורך החלפתו.
- השתמש אך ורק בכבלים מאריכים בעלי חתך רוחב גדול דיו, שאושרו לסיג השימוש שלך. אחרת ייתכן שהמכשיר לא יעבוד במלוא העצמה והכבל יתחמם מדי.
- בדוק את הכבל המאריך באופן סדיר לאיתור נזקים.
- החלף את הכבל המאריך אם ניזוק.
- לעבודה בחוץ השתמש אך ורק בכבל מאריך שאושר לעבודה בחוץ ומסומן בהתאם.

את חתכי הרוחב המינימליים המומלצים ואורכי הכבלים המרביים תמצא בקוד QR בסוף תיעוד זה.



#### 6 הכנה לעבודה

**זהירות** ⚠

**סכנת פציעה!** תחילת תנוע לא מכוונת של המוצר.

- ◀ נתק את תקע החשמל לפני שאתה מבצע כוונונים במכשיר או מחליף אביזרים.

ציית להוראות הבטיחות והאזהרות שבתיעוד זה ולא להצביעות על המוצר.

#### 7 הכנות לעבודה

##### 7.1 הכנסת שקית שואב (בד)

1. נתק את תקע החשמל משקע רשת החשמל.
2. פתח את שתי נעילות המכל.
3. הסר את ראש השאיבה ממכל הלכלוך.
4. הוצא במקרה הצורך את שקית השואב המלאה.
5. הכנס את שקית השואב עם המתאם על שני פיני המיקום.
6. הנח את ראש השואב על מכל הלכלוך.



7. סגור את שתי נעילות המכל.
8. ודא שראש השאיבה מותקן ככון ונעול.
9. חבר את צינור השאיבה.

### 7.2 החלפת שקית שואב (פלסטיק) 3

1. נתק את תקע החשמל משקע רשת החשמל.
2. פתח את שתי נעילות המכל.
3. הסר את ראש השאיבה ממכל הלכלוך.
4. הוצא במקרה הצורך את שקית השואב מפלסטיק, המלאה.
5. הכנס שקית שואב חדשה (פלסטיק) אל מכל הלכלוך, והלבש את שקית השואב סביב שפת מכל הלכלוך.
  - ◀ החורים של שקית השואב צריכים להימצא בתוך מכל הלכלוך.
  - ◀ ישר את שקית השואב בהתאם לפס השחור בשפת המכל.
6. הנח את ראש השואב על מכל הלכלוך.
7. סגור את שתי נעילות המכל.
8. ודא שראש השאיבה מותקן ככון ונעול.
9. חבר את צינור השאיבה.

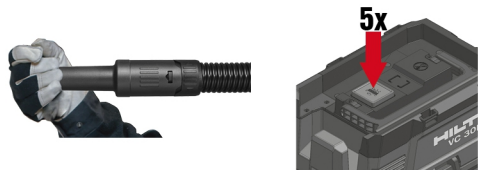
### 7.3 החלפת קרב מסנן 4

1. פתח את שתי נעילות המכל.
2. הסר את ראש השאיבה ממכל הלכלוך.
3. הסר את סוגר המסנן (סוגר מתברג).
4. הוצא את דיסקת המסנן.
5. הסר בזהירות את המסנן המשומש.
  - ◀ הקפד למנוע נפילת לכלוך לפתח הטורבינה!
6. הרכב את המסנן החדש על אלמנט השאיבה.
7. מקם את דיסקת המסנן בקו אחד עם המסנן.
8. התקן את סוגר המסנן.
9. ודא התקנה נכונה של המסנן, והרכב את ראש השאיבה על מכל הלכלוך.

## 8 תפעול

### 8.1 שימוש בביקוי המסנן

השואב כולל אפשרות לביקוי ידני של המסנן. כדי להשיג את הספק השאיבה המרבי, השתמש בפונקציית ביקוי המסנן במרווחי זמן סדירים.



1. סגור את קצה הצינור.
2. המתן עד לבניית תת-הלחץ המרבי.
3. לחץ על הלחצן 4-5 פעמים בזו אחר זו.

### 8.2 תפעול השואב

#### ⚠ זיהרות

**סכנת פציעה מאבק מסוכן לבריאות!** ללא שימוש במסנן, חומרים מסוכנים עשויים להיפלט מהמכשיר. השתמש בשואב רק כשהמסנן מותקן.

1. לפני חיבור תקע החשמל ודא שבורר הפעולות נמצא במצב "OFF".
2. חבר את תקע החשמל של השואב לשקע רשת החשמל.
3. סובב את מתג המכשיר למצב ON.



**i** שקע המכשירים מיועד אך ורק לחיבור ישיר של כלי עבודה חשמליים לשואב האבק. יש לציית להוראות ההפעלה ולהוראות הבטיחות המצוינות בהוראות ההפעלה של כלי העבודה החשמליים המחוברים לשקע חיבור כלי העבודה. לאחר כיבוי כלי העבודה החשמלי, השואב ימשיך לפעול לזמן קצר כדי שהאבק שנמצא בצינור השאיבה יישאב. **רק עבור השווקים שווייץ וליכטנשטיין:** השתמש בשקע למכשירים אך ורק בעבודה בסביבה יבשה.

1. נתק את תקע החשמל של השואב משקע רשת החשמל.
2. בדוק אם צריכת ההספק המרבית של כלי העבודה החשמלי המיועד לחיבור נמוכה מההספק המרבי של שקע חיבור כלי העבודה, ראה הפרק "נתונים טכניים" והמידע המצוין על שקע חיבור כלי העבודה.
3. לפני חיבור תקע החשמל של כלי העבודה החשמלי ודא שכלי העבודה החשמלי כבוי.
4. חבר את תקע החשמל של כלי העבודה החשמלי לשקע חיבור כלי העבודה.
5. חבר את תקע החשמל של השואב לשקע רשת החשמל.
6. סובב את מתג המכשיר למצב **AUTO**.
7. הפעל את כלי העבודה החשמלי.

**8.4 שאיבת אבק יבש**

**i** לפני שאיבת אבק יבש ובמיוחד אבק של חומרים מינרליים יש לוודא ששקית האבק הנכונה נמצאת במכל. כך יתאפשר סילוק פשוט ונקי של החומר שנשאב.

◀ ודא שהמסנן יבש וששקית השואב המתאימה מוכנסת.

**8.5 שאיבת נוזלים**
**8.5.1 הכנה וביצוע**

**i** השתמש במידת האפשר במסנן אחר לצורך עבודה בחומר רטוב.

1. הוצא את שקית האבק ממכל הלכלוך.
2. בדוק את מצוף ניטור המפלט, ובמקרה הצורך נקה אותו.
3. שים לב במהלך ההפעלה לשינויים בהספק השאיבה, לדוגמה כאשר ניטור המפלט מוזנק.

**8.5.2 ניטור המפלט מוזנק**

כאשר הלכלוך במכל הלכלוך מגיע למפלט המרבי, פונקציית ניטור המפלט מוזנקת. רוקן את מכל הלכלוך כדי להמשיך בעבודה.

**i** במקרה של שאיבת כמויות גדולות עלול להצטבר במסנן נוזל, שיגביל את תפקוד המצוף. הקפד לנקות את כל הנוזל מהמסנן במרווחי זמן סדירים.

1. סובב את מתג המכשיר למצב **OFF**.
2. נתק את תקע החשמל משקע רשת החשמל.
3. פתח את שתי נעילות המכל.
4. הרום את ראש השאיבה והסר אותו ממכל הלכלוך, והנח את מכל הלכלוך על משטח אופקי.
5. אחוז בשקעי האחזיה והטה את מכל הלכלוך כדי לרוקן אותו.
6. בדוק את מצוף ניטור המפלט, ובמקרה הצורך נקה אותו.
7. הנח את ראש השאיבה על מכל הלכלוך, וסגור את שתי נעילות המכל.

**8.6 לאחר השאיבה**

1. סובב את מתג המכשיר למצב **OFF**.
  2. נתק את תקע החשמל משקע רשת החשמל.
  3. רוקן את המכל, ונקה את השואב במטלית לחה.
  4. העמד את השואב בחלל יבש, כשהוא מוגן מפני שימוש בידי לא מורשים.
- ◀ שים לב מותר לאחסן שואב זה בחללים סגורים בלבד.



השתמש בשואבים בעלי דירוג M ומעלה רק עם שקית אבק. כך אפשר לצמצם את החשיפה לאבק בזמן הריקון והסילוק של החומר הנשאב.

1. פתח את שתי נעילות המכל.
2. הרום את ראש השאיבה והסר אותו ממכל הלכלוך, והנח את מכל הלכלוך על משטח אופקי.
3. אחוז בשקעי האחיזה והטה את מכל הלכלוך כדי לרוקן אותו.
4. **בשואבי M:** הוצא את שקית השואב ממכל הלכלוך, והשלך אותה לאשפה בכפוף לתקנות החלות.
5. נקה את מכל הלכלוך באמצעות צינור מים.
6. נקה במטלית לחה את השואב ואת משטח האטימה של מכל הלכלוך.
7. הנח למכל הלכלוך להתייבש.
8. הנח את ראש השאיבה על מכל הלכלוך, וסגור את שתי נעילות המכל.

**8.6.2 אחרי שאיבת נוזלים**

1. פתח את שתי נעילות המכל.
2. הרום את ראש השאיבה והסר אותו ממכל הלכלוך, והנח את מכל הלכלוך על משטח אופקי.
3. אחוז בשקעי האחיזה והטה את מכל הלכלוך כדי לרוקן אותו.
4. נקה את מכל הלכלוך באמצעות צינור מים.
5. נקה במטלית לחה את השואב ואת משטח האטימה של מכל הלכלוך.
6. העמד את ראש השואב בנפרד מהמכל, כדי שהמסנן והמכל יוכלו להתייבש.

**9 הנחיות לטיפול בשואב**
**⚠ אזהרה**

**סכנה ממתח חשמלי!** תיקונים לא מקצועיים של רכיבים חשמליים עלולים להוביל לפציעות קשות עקב התחשמלות. תיקונים בחלקים החשמליים יבוצעו רק בידי חשמלאים מוסמכים.

- ▶ שמור על השואב, ובמיוחד על אזורי האחיזה, נקיים מלכלוך, משמן ומגריז. אין להשתמש בחומרי טיפול המכילים סיליקון.
- ▶ לעולם אין להשתמש בשואב כאשר חריצי האווורו סתומים! נקה את חריצי האווורו בהירות בעזרת מברשת יבשה. מנע חדירה של גופים זרים לתוך פתח הטורבינה.
- ▶ נקה את הצד החיצוני של השואב באופן סדיר באמצעות מטלית לחה. אין לנקות את השואב באמצעות מכשיר רסס, מכשיר ניקוי בקיטור או במים דורמים, מאחר שזה עלול לפגוע בבטיחות החשמלית של המכשיר.
- ▶ הקפד במיוחד על ניקוי השפה העליונה של המיכל והחריץ שבה, מכיוון שיש להם חשיבות מכרעת לאטימות בין מיכל הלכלוך לראש השואב.

**10 הובלה ואחסון**

- ▶ אסור לסחוב את השואב עם מיכל לכלוך מלא.
- ▶ אסור לתלות את השואב על עגורן.
- ▶ הסר כלים משוחררים מהמחזיק.
- ▶ רוקן את השואב לפני שאתה מעביר אותו למקום אחר.
- ▶ אם שאבת נוזלים אל תטה את השואב, והובל אותו רק כשהוא עומד אנכית.
- ▶ לצורך הובלת המכשיר חבר את שני קצות הצינור זה לזה בעזרת המתאם הקוני.

VC 5M

**בשואבי דירוג M**
**⚠ אזהרה**

**סכנת פציעה מאבק מסוכן לבריאות!** אבק מסוכן עשוי לדלוף דרך פתח הכניסה. לפני הובלה של המוצר או בתום השימוש בו יש לאטום את פתח הכניסה באמצעות פקק המופה.

**11 תיקון תקלות**

אם מתרחשת תקלה שאינה מוסברת בטבלה זה או שאינך יכול לתקן בעצמך, פנה לשירות של Hilti.



תקלה	סיבה אפשרית	פתרון
הספק שאיבה נמוך או לא קיים כלל.	קרב המסנן סתום או ישן מדי.	<ul style="list-style-type: none"> <li>◀ בדוק את רמת המילוי של מכל הלכלוך.</li> <li>◀ השתמש בניקוי הידני של המסנן. ← עמוד 105</li> <li>◀ החלף את המסנן במקרה הצורך.</li> </ul>
	אין קרב מסנן.	<ul style="list-style-type: none"> <li>◀ הכנס קרב מסנן מתאים.</li> </ul>
אות אזהרה חזותי (הספק שאיבה מוגבל)	שקית האבק מלאה.	<ul style="list-style-type: none"> <li>◀ החלף את שקית האבק.</li> </ul>
	קרב המסנן מלוכלך מאוד.	<ul style="list-style-type: none"> <li>◀ הפעל את הניקוי הידני של המסנן (סגור את פתח צינור השאיבה כדי להשיג הספק ניקוי מיטבי).</li> </ul>
	צינור השאיבה או מגן שאיבת האבק של המכשיר החשמלי סתומים.	<ul style="list-style-type: none"> <li>◀ נקה את צינור השאיבה ואת מגן שאיבת האבק.</li> </ul>
אבק נפלט מהמכשיר.	קרב המסנן אינו מותקן נכון.	<ul style="list-style-type: none"> <li>◀ התקן את קרב המסנן מחדש.</li> </ul>
	קרב המסנן פגום.	<ul style="list-style-type: none"> <li>◀ התקן קרב מסנן חדש.</li> </ul>
	אין קרב מסנן.	<ul style="list-style-type: none"> <li>◀ הכנס קרב מסנן מתאים.</li> </ul>
המכשיר מופעל או כבה מעצמו או שינה פריקה אלקטרוסטטית דרך המשתמש.	אין פריקה אלקטרוסטטית, המכשיר אינו מחובר לשקע מוארק.	<ul style="list-style-type: none"> <li>◀ חבר את מכשיר לשקע חשמל מוארק, השתמש בצינור אנטיסטטי.</li> </ul>
המנוע אינו עובד יותר.	נתיך שקע החשמל קפץ.	<ul style="list-style-type: none"> <li>◀ הפעל את הנתיך.</li> <li>◀ אם הוא קופץ שוב חפש את המקור לדרם העודף.</li> </ul>
	מכל הלכלוך מלא.	<ul style="list-style-type: none"> <li>◀ כבה את המכשיר ונקה את מכל הלכלוך.</li> </ul>
	הנתיך התרמי של המנוע קפץ.	<ul style="list-style-type: none"> <li>◀ כבה את המכשיר ואפשר לו להתקרר במשך כ-5 דקות.</li> <li>◀ אם המנוע אינו מתחיל לפעול, הבא את המכשיר לתיקון במעבדה של Hilti.</li> </ul>
	ההגנה התרמית של המנוע מכבה את המנוע שוב ושוב.	<ul style="list-style-type: none"> <li>◀ נקה את חריצי האוורור בזהירות בעזרת מברשת יבשה.</li> </ul>
המנוע אינו פועל במצב אוטומטי.	המכשיר המחובר אינו תקין או אינו מחובר נכון.	<ul style="list-style-type: none"> <li>◀ בדוק את תקוד המכשיר המחובר או חבר את תקע החשמל היטב.</li> </ul>

## 12 סילוק

המוצרים של Hilti מיוצרים בחלקם מגודול מחומרים כיתנים למיחזור. כדי שניתן יהיה למחזרם דרושה הפרדת חומרים מקצועית. במדינות רבות Hilti תקבל את המכשיר הישן שלך בחזרה לצורך מיחזור. פנה לשירות של Hilti או למשווק.

◀ אין להשליך כלי עבודה חשמליים, כלים אלקטרוניים וסוללות לפסולת הביתית!

## 13 אחריות יצרן

◀ אם יש לך שאלות בנושא תנאי האחריות, אנא פנה למשווק Hilti הקרוב אליך.

## 14 מידע נוסף

מידע נוסף על ההפעלה, הטכנולוגיה, הגנת הסביבה ומיחזור תמצא בקישור הבא: [qr.hilti.com/manual/?id=2297598&id=2298710](http://qr.hilti.com/manual/?id=2297598&id=2298710)  
 את הקישור הזה תמצא גם בסוף תיעוד זה בצורת קוד QR.





# EC Declaration of Conformity | UK Declaration of Conformity



**Manufacturer:**  
**Hilti Corporation**  
Feldkircherstraße 100  
9494 Schaan | Liechtenstein

**UK Importer:**  
**Hilti (Gt. Britain) Limited**  
No. 1 Circle Square, 3 Symphony Park  
Manchester, England, M1 7FS

**VC 5L (01) | VC 5M (01)**

Serial Numbers: 1-9999999999

2006/42/EC | Supply of Machinery (Safety) Regulations 2008

2014/30/EU | Electromagnetic Compatibility Regulations 2016

2011/65/EU | The Restriction of the Use of Certain Hazardous Substances in Electrical and Electronic Equipment Regulations 2012

EN 60335-1-2012, AC:  
2014, A11:2014, A13:2017,  
A1:2019, A2:2019,  
A14:2019, A15:2021

EN IEC 55014-1:2021  
EN IEC 61000-3-2:2019,  
A1:2021

EN 60335-2-69:2012  
EN IEC 55014-2:2021  
EN 61000-3-3:2013, A1:2019

**Dr. Tahar Zrilli**  
Head of Quality and Process Management  
Business Area Electric Tools & Accessories

Schaan, 13.12.2023

**Johannes Wilfried Huber**  
Senior Vice President  
Business Unit Diamond









Hilti Corporation  
LI-9494 Schaan  
Tel.:+423 234 21 11  
Fax:+423 234 29 65  
[www.hilti.group](http://www.hilti.group)



2298710